



THOUSANDS OF SOLUTIONS.
ONE MATCHED **PERFECTLY**
TO YOUR NEEDS.



PRODUCT CATALOG

ELECTRIC MOTORS, GEARMOTORS AND DRIVES
SUB-FRACTIONAL TO 700 HP

REGAL®

What's New in This Catalog

Higher HP Stainless Steel Motors
250T-280T Frame | **pg 172**

IEC Three Phase Brakemotors
TEFC B3 Mounting | **pg 281 & 295**

WhiteDuck™ Explosion Proof Motors
Three Phase, C Face with Base
Division I, Division II, Class I, Groups C & D,
Class II, Groups F & G | **pg 156**

Vertical Hollow Shaft Motors:
7.5 - 300 HP, 2 and 4 pole, ODP WP1
Couplings, Bushings and P-Base Kits available | **pgs 132-137**

Extreme Duck® Ultra Feather Picker Motors | **pg 153**

Q-Car™ Replacement Kits for
Extreme Duck Ultra Motors | **pg 187**

DC Adjustable Speed Drives
4 Quadrant Chassis - Regenerative
Controls with Isolation | **pgs 366-367**

Globetrotter® General Purpose Motors - ODP | **pgs 44-49**

Globetrotter® General Purpose Motors - TEFC | **pgs 66-74**

Extreme Duck Ultra Line Extension
180T - 210T Frames, 3₃10 HP,
2 and 4 pole, C Face with Base | **pg 186**

What's Coming

Extreme Duck Ultra IEC Motors
1/4 - 1 1/2 KW, Three Phase,
B3/B5 and B3/B14 Flanges

TerraMAX IEC Motors
.75 - 375kW, Three Phase
B3/B5 and B3/B14 Flange

Extreme Duck® Ultra Line Extension



Page 186

Globetrotter® General Purpose Motors



Pages 44-49 & 66-74

WhiteDuck™ Explosion Proof Motors



Page 156

Vertical Hollow Shaft Motors



Pages 132-137

For complete Terms & Conditions of Sale, see
<https://www.regalbeloit.com/Terms-and-Conditions-of-Sale>

Table Of Contents

Section	Page Number	Section	Page Number
Agricultural Duty Motors	190	Three Phase Totally Enclosed Motors	52
Irrigation Pump	202	General Purpose	53
Catfish Pond	202	C-Face	58
Eco-AG® Premium Efficient - 1 & 3 Phase	191	Compressor Duty	76
Extra High Torque 1 Phase	192	F2 Mount	75
Crop Dryer	196	FHP For AC Drives	78
Feather Picker	206	SUB-FHP Inverter Rated	77
Feed Auger Duty	205	TENV Enclosure	75
Grain Stirring	201	Ultimate e® / Globetrotter® C-face	70
Hatchery / Incubator Fan	206	Ultimate e / Globetrotter C-face with Roller Bearings	74
High Torque 1-Phase	192 & 207	Ultimate e / Globetrotter Rigid	66
Milk Transfer Pump	203-204	HVAC / Fan Motors	212
Tobacco Barn Fan Duty	201	Aeration Fan	219
Automotive Duty Motors	110	Hatchery / Incubator Fan	229
Brakemotors	272	Condenser Fan	221
Brakemotor Kits	278	Crop Dryer	228
General Purpose - 1 & 3 Phase	273	Grain Dryer	227
High Cycle Brakemotors	277	Kiln Duty	234
IEC Brakemotors	281	Multi-Speed	217
Washdown Duty	276	Pedestal Fan	223
Definite Purpose Motors	248	Premium Efficient - 1 Phase	215
Boat Hoist Duty	256	Resilient Base - 1 Phase	213
Compressor Duty	249	Resilient Base - 3-Phase	216
Aggregate / Crusher / Quarry Duty	258	Split Phase Fan / Belted Fan	222
Elevator Duty	259	TEAO Cooling Tower	233
Export Only	269	Two-Speed	218 & 224
Instant Reversing	255	Ventilation Fan	220
Pressure Washer Duty	251	IEC / Metric Motors	282
Two-Speed	257	575 Volt - B3 Flange	292
Unit Handling	268	B14 Flange	290
Woodworking Duty	253	B3 Flange	286
Explosion Proof Motors	102	B5 Flange	288
Single Phase	104	DC Metric	298
Three Phase - Higher HP ratings available	105	IEC Brakemotors	281 & 295
Washdown Duty	109	Metric Motor Flange Kits	294
General Purpose Motors	16	Metric Stainless Washdown	296
Single Phase Drip-Proof Motors	16	Inverter / Vector Duty Motors	80
EcoSaver™	17	4 : 1 Speed Ratio	86
Premium Efficient - Fan Duty	23	10 : 1 Speed Ratio - ODP	88
Single Phase Totally Enclosed Motors	22	1000:1 Constant Torque	84
General Purpose	23	2000 : 1 With Encoder Feedback	85
Premium Efficient	30	2000 : 1 With Encoder Provision	81
Pressure Washer	32	Encoder Kits	83
Resilient Base Mount	31	Sub-FHP - 10 : 1 Speed Ratio	89
Single Phase C Face Motors		Permanent Magnet AC	90
General Purpose - Drip-Proof	20	Platinum e™ Permanent Magnet AC - Drives	391-393
General Purpose - TEFC	28	Pump Motors	116
Pressure Washer - C-face - TEFC	32	Carbonator Pump	122
Unit Handling	33	Explosion Proof Jet Pump	118 & 120
Three Phase Drip-Proof Motors	36	Fire Pump ODP & TEFC	138
General Purpose	37	Jet Pump - Single & Three Phase	117
Automatic Overload Protected	50	JM Pump - ODP & TEFC	125
C-Face	41	JP Pump - ODP & TEFC	123
F2 Mount	50	Vertical Hollow Shaft Pump	132
Ultimate e® / Globetrotter® C-face	48	Washdown Duty Pump	121
Ultimate e/ Globetrotter Rigid	44		



Table of Contents (cont'd)

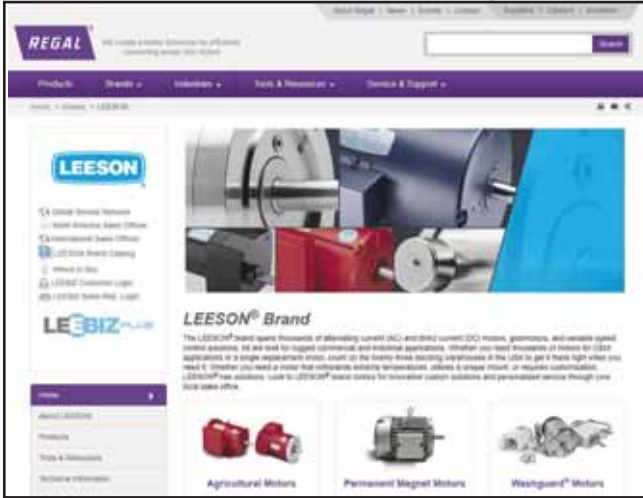
Section	Page Number	Section	Page Number
Severe Duty Motors	92	AC Gearmotors	348
IEEE 841 Motors - Higher HP ratings available	93	Inverter Rated - PZ Series	360
Multiguard Motors	99	Kits & Accessories	358
WattSaver e® Plus - Mill & Chemical Duty	95	Parallel Shaft P240	351
WattSaver e Plus with C-face - Mill & Chemical Duty	97	Parallel Shaft PZ	349
Special Voltage	236	Parallel Shaft, P1100	355
200/400 Volt	242	Parallel Shaft, P240 Washdown Duty	351
50 Hz	243	Parallel Shaft, PE350	353
575 Volt	237	Right Angle	356
Medium Voltage	247	Right-Angle Washdown Duty	357
Washdown Duty Motors	143	AC & DC Controls	362
575 Volt - White Epoxy Painted	151	DC Drives	364
Brakemotors - White Epoxy Painted	154	DC Dual Mode	369
Brakemotors - Stainless Steel	180	DC Low Voltage	368
DC Stainless	182	DC SCR 4 Quad Chassis	366
DC Washdown - White Epoxy Painted	157	DC SCR Rated	368
Extreme Duck® Ultra Encapsulated Stainless	184	AC Drives	370
Extreme Duck Ultra With Shaft Grounding Rings	188	FHP® Series	371
Explosion Proof White Epoxy	156	Inverter Kits and Accessories	394
Feather Picker	153	Micro Series NEMA® 1	384
Gearmotors - AC & DC White Epoxy Painted	159	Micro Series NEMA 4/12 & 4X	386
General Purpose White Epoxy Painted -1 & 3 Phase	147	Platinum e™ VSD	391
IEC / Metric Stainless	181	Platinum e™ VSD Plus	393
Jet & JM Pump Motors - White Epoxy Painted	151	SM Series	372
JM Pump Motors - Stainless Steel	180	SM Plus Series	374
Pedestal Fan - Stainless Steel	171	SM2 Vector Series NEMA 1	379
Premium Stainless 1 & 3 Phase	174	SM4 Vector Series NEMA 4/12	382
Premium Stainless with Shaft Grounding Rings	178	Motor Accessories / Kits	398
Q-Car™ Rotor Cartridge Kits	187	Blower Kits	410
SST™ Stainless - 1 & 3 Phase	170	C Flange Kits	400-405
Washdown II Series / Paint Free	169	Cast Iron Fan Guard / Severe Duty Kits	406
Washguard® Brake Kits	156	CE Conversion Kits	414
Washguard Coupler Brakes	156	Conduit Box Kits	412
DC Motors	304	D Flange Kits	398
IEC Commercial Duty Low Voltage	320	Drip-Cover Kits	408
Explosion Proof	308	Encoder Kits	411
IEC / Metric	312	Q-Car™ Rotor Cartridge Kits	407
Low Voltage (12, 24, 36, & 48 V)	316	Rodent Screen Kits	405
Low Voltage Metric	318	Shaft Grounding Kits	415
NEMA® Frame SCR Rated	306	Slide Base / Transition Bases	413
Stainless Washdown Duty	321	Terminal Block Kits	412
Sub-FHP Low Voltage	319	Motor Modifications, MOD-SQUAD	418
Sub-FHP Washdown Duty	311	Factory Options	431
Sub-Fractional HP	310	General Information	
Washdown Duty	309	Technical Information	6 & 464
Gearmotors	324	Warnings and Cautions	476
DC Gearmotors	328	Terms and Conditions	6
Parallel Shaft, OS300 - SCR & Low Voltage	333	Index	451
Parallel Shaft, P1100	337	Dimension Information	467
Parallel Shaft, P300 - SCR & Low Voltage	331	Note Information	Inside back flap
Parallel Shaft, P300 - Washdown Duty	343		
Parallel Shaft, PE350 Washdown Duty	345		
Parallel Shaft, PE350, SCR & Low Voltage	335		
Parallel Shaft, PZ SCR & Low Voltage	329		
Right-Angle	339		
Right-Angle, Washdown Duty	347		



New products and pricing are continually updated, for the latest real time product information please refer to www.regalbeloit.com/Brands/LEESON

HAVE YOU TOURED THE NEW REGAL WEBSITE?

REGALBELOIT.COM



FEATURES:

- In depth information about Regal® brands and products
- Competitive cross-reference tool
- Robust product information details
- Rotating 360° views of products
- View products based on solution and application within a specific industry
- Access to dimensional drawings, CAD files, connection diagrams and more

CUSTOMER SEARCH:

Search for products by part number, by product family, by industry, by application, by brand, by solution, by cross reference, by configurator, with engineering tools and more. It is a 360° model designed to guide you to the right item.

INFORMATIONAL TOOL:

The website is packed with information, data, industry facts and statistics.



LEEBIZ Real-time access to your account information



Access 24/7

On a secure website, any time, from anywhere. Find answers on your own schedule.



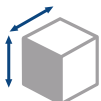
Open Order Reports

View all past orders (including tracking info, pricing, ship dates, invoices etc).



Multiple User Profiles

with 3 options for "level of access" to suit your individual needs.



View specs & drawings

with "catalogue search" (available for certain brands only).



Place Orders in Real Time

Ship to any location, drop ship, specify ship date and more. Flexibility to ship order line by line or "complete".



View Invoices & Payments

Find invoices by date, product, unpaid, and more! View online or export invoice and payment reports into excel format.

THOUSANDS OF MOTOR AND CONTROL SOLUTIONS. ONE MATCHED PERFECTLY TO YOUR NEEDS.

The LEESON® brand spans more than 6,000 stock AC and DC motors, gearmotors and variable-speed control solutions. All are built for rugged commercial and industrial applications. Whether you need thousands of motors for OEM applications or a single replacement motor, count on our twenty-three stocking warehouses in the USA to get it there right when you need it. Whether you need a motor that withstands extreme temperatures, utilizes a unique mount or other requirement, we have solutions. Look to Regal and its LEESON brand motors for innovative custom solutions, and personalized service through your local sales office.

To turn ideas into reality, contact your local sales office or visit regalbeloit.com



AC & DC MOTORS OF ALL TYPES

- Sub-fractional to 5,000 HP
- Permanent Magnet AC & DC
- General Purpose 1 & 3 Phase
- Agricultural Duty
- Explosion Proof
- IEC Metric Motors
- Severe Duty and IEEE841
- Washdown Duty
- Inverter Duty
- HVAC—Fan Motors
- AC & DC Gearmotors
- Brakemotors
- Definite Purpose Motors
- Special Voltage

ADJUSTABLE SPEED DRIVES

SCR, PWM, Regenerative & Low Voltage DC Controls

AC Control Families include:

Micro Series

- 115 Volt, 230 Volt and 460 Volt input options
- 1/4 HP through 150 HP ratings
- IP20, IP31 & IP65 enclosure protection
- English readout display

SM & SM-Plus Series

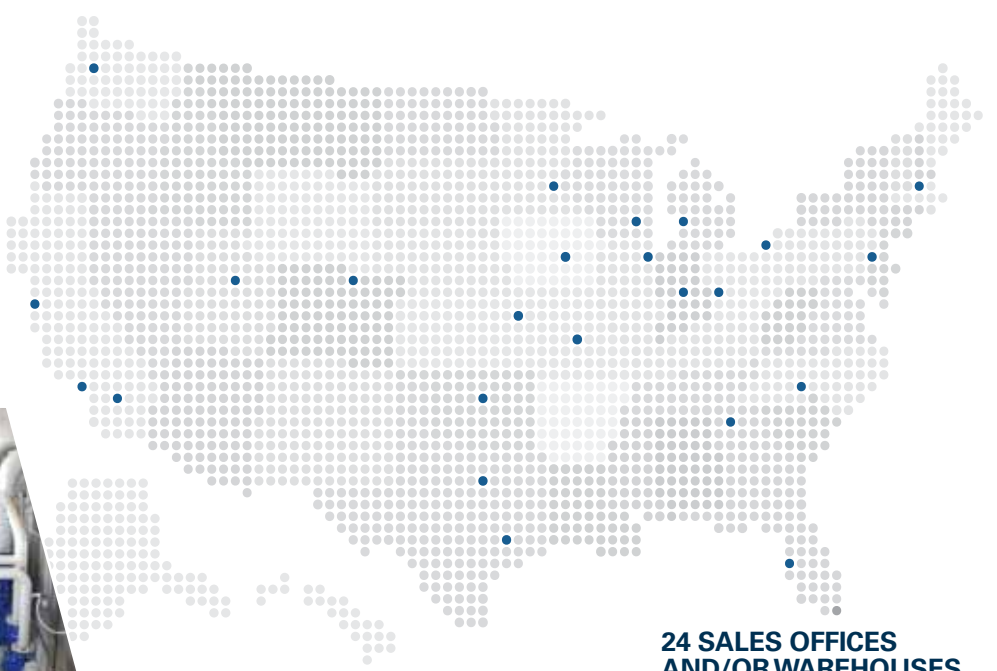
- 115 Volt, 230 Volt and 460 Volt input options
- 1/4 HP through 25 HP ratings
- IP20 enclosure protection
- Three digit LED display

SM2 & SM4 Vector Series

- 115 Volt, 230 Volt and 460 Volt input options
- 1/3 HP through 60 HP ratings
- IP31 and IP65 enclosure protection
- Four digit LED display

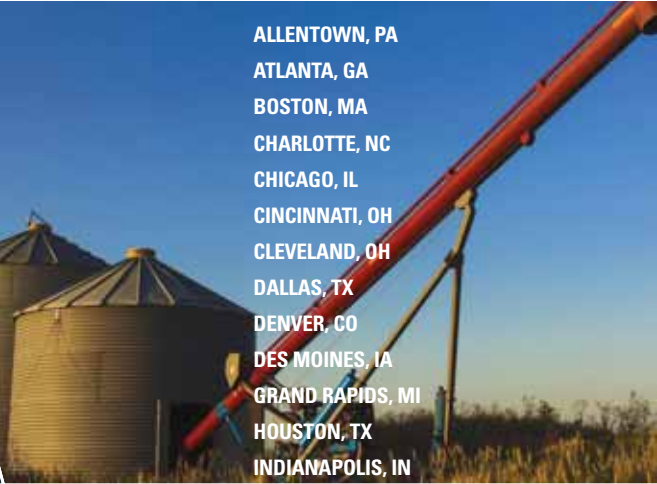
VSD & VSD-Plus Series

- 230 Volt and 460 Volt input options
- 1/3 HP through 30 HP ratings
- IP20 enclosure protection
- Permanent magnet AC & Induction AC motor capable



**24 SALES OFFICES
AND/OR WAREHOUSES
ACROSS THE U.S.**

- ALLENTOWN, PA
- ATLANTA, GA
- BOSTON, MA
- CHARLOTTE, NC
- CHICAGO, IL
- CINCINNATI, OH
- CLEVELAND, OH
- DALLAS, TX
- DENVER, CO
- DES MOINES, IA
- GRAND RAPIDS, MI
- HOUSTON, TX
- INDIANAPOLIS, IN
- KANSAS CITY, MO
- LOS ANGELES, CA
- MILWAUKEE, WI
- MINNEAPOLIS, MN
- OKLAHOMA CITY, OK
- PALM DESERT, CA
- SALT LAKE CITY, UT
- SAN FRANCISCO, CA
- SEATTLE, WA
- ST. LOUIS, MO
- TAMPA, FL



Technical Information

Application Information

AGENCY LISTINGS UL and CSA

LEESON® and Lincoln Motors™ fire pump and explosion proof motors are UL Listed. Other motor types are UL Recognized, including models with inherent overheating protection as noted (i.e. thermally protected models). LEESON and Lincoln Motors are also CSA certified for both explosion proof and non-explosion proof enclosures.

AC Motors

PMDC Motors + Gear Motors

Non-Explosion Proof	UL File No.	CSA File No.
NEMA® 25-449 Frame	E49747	LR2025
NEMA 500 and 5000 Frame	—	LR2025*
IEC 63-90 Frame	E49747	LR2025
IEC 100-280 Frame	E49747	LR2025#
Thermally Protected motors	E6312	LR2025
Insulation Systems	E37900	LR2025

* Does not include coverage for use with VFD

Domestic product only

Explosion Proof	UL File No.	CSA File No.
NEMA 56-326 Frame	E12044	LR47504
NEMA 364-449 Frame	E12044	LR21839
E12044	LR47504	CSA File No.
NEMA 143-510	EX5190	LR2025
Class I, Division 2/Zone	UL File No.	CSA File No.
NEMA 48-449 5000 Frame	—	LR21839
European ATEX Zone 2	Intertek Certificate No.	
NEMA 143-449, IEC 112-280	ITS06ATEX45370	

Cast iron frame designs only

Non-Explosion Proof	UL File No.	CSA File No.
NEMA 25-145	E49747	LR2025
AC Inverters	E161242	#
SpeedMaster® SCR Controls	E132235	LR41380
FHP® Speed Drives	E132235	—

- UL Certified for Canada under UL File E 1.67242

ATEX Directive (ATmospheres EXplosibles)

Mandatory by law, the European Union (EU) directive 94/9/EC requires that electric motors for use in explosive atmospheres carry the CE mark, notified body identifier, Ex symbol, equipment group and category, plus the date code. See "European Installations" for additional details, located on the next page.

NEMA (National Electrical Manufacturers Ass'n)

LEESON and Lincoln Motors are manufactured in accordance with all applicable areas of NEMA standards in MG1-2006. When applied in accordance with the "Guidelines for Application of Three Phase Motors on Variable Frequency Drives," **LEESON and Lincoln Motors are in full compliance with NEMA MG1-2006, Part 31, Section 4.4.2**, as pertaining to voltage spikes. 460 volt motors must withstand voltage spikes of up to 1426 volts; 575 volt motors must withstand spikes of up to 1788 volts. See "Insulation Systems" for additional detail on this subject.

Website: www.nema.org

Commitment to RoHS and WEEE European Directives

The European directives 2002/95/EC "Restriction of Certain Hazardous Substances" (RoHS) and 2012/19/EU "Directives on Waste Electrical and Electronic Equipment" (WEEE) were enacted to control the amount of certain hazardous substances contained in products shipped into the E.U. RoHS has undergone two amendments over the years, known as "RoHS 2" (2011/65/EU) and "RoHS 3" (2015/863/EU). The current number of restricted substances stands at 10 and includes lead, mercury, cadmium, hexavalent chromium, polybrominated biphenyls, polybrominated diphenyl ethers, and four phthalate substances known as DEHP, DIBP, BBP, and DBP.

Regal works closely with suppliers to assure that product falling within the scope of these directives meets the specified levels of the restricted substances. In addition, Regal maintains internal resources to manage requests pertaining to RoHS. To inquire whether a LEESON product is in compliance with RoHS, please contact your sales representative.

ISO QUALITY CERTIFICATION

We are ISO 9001:2008 and our registrar is NSF-ISR. The certificate number for the corporation is C0026928-IS2.

TERMS AND CONDITIONS

To view our complete set of Terms & Conditions visit <https://www.regalbeloit.com/Terms-and-Conditions-of-Sale>



LEESON® and Lincoln Motors™ employ the use of Exxon® Polyrex® EM grease, a specially formulated bearing grease designed for electric motors. Polyrex EM provides superior lubricity, durability and resists corrosion, rust and washout.

Maximum safe mechanical speed capability is a function of bearing size, type and grease selection, as well as rotor balance specifications. Consult the “Maximum Safe Mechanical Speed Limits” chart in the “Overspeed Capability” section.

Note that these values do not imply maximum constant horsepower RPM.

EFFICIENCY

When selecting a motor for a particular application, both its capital cost and the cost of energy for operation should be considered. The efficiency of a motor is the ratio of its useful power output to its total power input and is usually expressed in a percentage. Regal motors are designed to meet the strict minimum energy efficiencies from the Department of Energy (DOE) effective as of June 1, 2016. Premium efficient motors in this catalog meet NEMA Premium® unless otherwise noted.

ELECTRICAL TYPE/STARTING METHOD

Motors in this catalog are capacitor start, split phase, permanent split capacitor, or three phase. Capacitor start motors have high starting torque, high breakdown torque, and relatively low starting current. Split phase motors have medium starting torque and medium starting current. Permanent split capacitor motors have low starting torque and low starting current. Three phase motors have high starting, extra breakdown torque, and typically very low starting current. Single phase motors cannot be applied on variable frequency drives with three phase output.

ENCLOSURE AND METHOD OF COOLING

Regal motors are available in various enclosures; Dripproof (DP), Dripproof Force Ventilated (DPFV), Totally Enclosed Fan Cooled (TEFC), Totally Enclosed Non-Ventilated (TENV), Totally Enclosed (TEAO) and Totally Enclosed Blower Cooled (TEBC). Application conditions will determine the type of motor enclosure required.

Dripproof motors have open enclosures and are suitable for indoor use and in relatively clean atmospheres. Dripproof motors have ventilating openings constructed so that drops of liquid or solid particles falling on the machine at an angle of not greater than 15 degrees from the vertical cannot enter the machine.

Totally enclosed motors are suitable for use in humid environments or dusty, contaminated atmospheres. Totally enclosed non-ventilated motors are NOT cooled by external means. Totally enclosed fan cooled motors are cooled by external means that are part of the motor but not in the internal workings of the motor. Totally enclosed air over motors are sufficiently cooled by external means, provided by the customer.

HAZARDOUS DUTY® MOTORS

Hazardous duty motors are totally enclosed (fan cooled or non-ventilated) motors designed for applications in hazardous atmospheres containing explosive gases and/or combustible dusts.

NORTH AMERICAN INSTALLATIONS

North American standards for electric motors generally fall into one of two divisions. Division 1 Explosion Proof motors are UL Listed in accordance with NFPA Class I (flammable gases) or Class II (combustible dusts) and Groups (gases or dusts), depending upon the atmosphere. Division 2 motors are CSA Certified and are marked similarly to Division 1 equipment. Inverter duty motors through 449T frames are CSA Certified for use in Division 2 locations.

EUROPEAN INSTALLATIONS

Motors for hazardous locations in Europe must meet a different set of standards and require different markings than those of North America. CENELEC sets the standards for equipment in hazardous locations and/or explosive atmospheres for motors used in Europe. These are often referred to as Zone 1 (flameproof) Zone 1 or Zone 2 (non-sparking) motors and must comply with the ATEX directive. The ATEX directive covers all electrical equipment used in explosive atmospheres. To ensure compliance with the directive, equipment must meet the essential ATEX requirements and carry the CE mark on the nameplate. Other information required on the nameplate includes the Ex symbol, group & category, Ex protection method, gas group, and temperature code, example (Ex) II 3 G Ex nA IIC T3).

The tables on the next page describe Regal motors capabilities by area classification and by temperature code.

Exxon and Polyrex are believed to be the trademark of Exxon Mobil Corporation, and are not owned or controlled by Regal Beloit Corporation.

NEMA and NEMA Premium are believed to be the trademarks of National Electrical Manufacturers Corporation, and is not owned or controlled by Regal Beloit Corporation.



Technical Information

Application Information

LEESON® and Lincoln Motors™ For Use In Hazardous (Classified) Locations - North America

Division 1 (Explosionproof and/or Dust-Ignitionproof)							Division 2						
Class I (Flammable Gases, Vapors, Liquids)				Class II (Combustible Dusts)			Class I (Gases, Vapors, Liquids)				Class II (Combustible Dusts)		
Group A	Group B	Group C	Group D	Group E	Group F	Group G	Group A	Group B	Group C	Group D	Group E	Group F	Group G
N	Y(+)	Y	Y	Y(++)	Y	Y	Y(+++)	Y(+++)	Y(+++)	Y(+++)	N/A*	LEESON offers Division 1 construction	

(+) - NEMA® 48 Steel Frame only

(++) - NEMA 56, 143, 145 Steel Frames only

(+++) - Class I, Division 2 motors are three phase only, TEFC or TENV enclosure

*Group E is Division 1 only

LEESON and Lincoln Motors For Use In Potentially Explosive Atmospheres (ATEX-Europe)

Motor Platform	Gases, Vapors, Mists						Dusts/Flyings					
	Zone 1			Zone 2			Zone 21			Zone 22		
	Group IIA	Group IIB	Group IIC	Group IIA	Group IIB	Group IIC	Group IIIA (Combustible Flyings)	Group IIIB (Nonconductive Dust)	Group IIIC (conductive Dust)	Group IIIA (Combustible Flyings)	Group IIIB (Nonconductive Dust)	Group IIIC (Conductive Dust)
NEMA 143 through 449 Frame, 5000 Frame	N	N	N	Y - Ex nA (nonsparking protection method)			N	N	N	N	Y - Ex tc (dust protected)	N
IEC 80 through 355 Frame	Pending on TerraMAX® TCE motor series			Y - TerraMAX TCN motor series - Ex nA (nonsparking protection method)			N	Y - TerraMAX TCT motor series - Ex tb (dust protected)	N	N	Y - TerraMAX TCT motor series - Ex tc (dust protected)	N

Hazardous Duty® Motor Temperature Code Chart

TEMPERATURE CODES			Division 1 Explosion Proof / Flameproof		Division 2 / Non-Sparking
			Class I Area Classification (Flammable Gases, Vapors or Mists)	Class II Area Classification* (Combustible Dusts)	Class I Area Classification (Flammable Gases, Vapors or Mists)
Temp.	UL/CSA	ATEX	Division 1/Zone 1	Division 1/Zone 21	Division 2/Zone 2
280OC	T2A	T2(280)	Explosion Proof - Class I, Group D (Group C as noted)		
260OC	T2B	T2(260)			Severe Duty & IEEE-841 @ 1.15 S.F.
215OC	T2D	T2(215)			
200OC	T3	T3	Some LEESON ex-proof motors meet design T3C temps. Please refer to our www.regalbeloit.com > products > then search by item number to verify.		
165OC	T3B	T3(165)	Explosion Proof - Class I, Group D (Group C as noted), Sine wave or PWM power	Explosion Proof - Class II, Groups F & G, Sine wave or PWM power	
160OC	T3C	T3(160)			
135OC	T3	T4			

* Class II, Division 2 motors are not available from LEESON and Lincoln Motors.

Division I & II ambient range is -25°C to +40°C



Guidelines for application of general purpose, three phase single phase motors on variable frequency drives to meet NEMA® MG - 2006 Part 30 and Part 31, Section 4.4.2.
Unless stated otherwise, motor nameplates do NOT include listed speed range.

ENCLOSURE	EFFICIENCY	VARIABLE TORQUE	CONSTANT TORQUE								
		ALL FRAMES	56	143-215		254-286		324-365		404-449	
NEMA Motors		ALL POLES	ALL POLES	2-Pole	4 & 6 Pole	2-Pole	4 & 6 Pole	2-Pole	4 & 6 Pole	2-Pole	4 & 6 Pole
ODP	Standard (EPAAct exempt)	10:1	2:1	2:1	2:1	Contact Engineering					
	EPAAct compliant	10:1	n/a	10:1	2:1	2:1	2:1	Contact Engineering			
	NEMA Premium	10:1	n/a	2:1	10:1	10:1	10:1				
TEFC	Standard (EPAAct exempt)	10:1	2:1	2:1	2:1	Contact Engineering					
	EPAAct compliant	10:1	n/a	2:1	10:1	2:1	10:1	2:1	2:1	2:1	2:1
	NEMA Premium	10:1	n/a	2:1	20:1	2:1	20:1	2:1	20:1	2:1	20:1
TENV	EPAAct compliant	10:1	n/a	1000:1	1000:1	1000:1	1000:1	1000:1	1000:1	1000:1	1000:1
	NEMA Premium	10:1	1000:1	1000:1	1000:1	1000:1	1000:1	1000:1	1000:1	1000:1	1000:1
Washdown TEFC	Standard (EPAAct exempt)	10:1	10:1 (2)	10:1 (2)	10:1 (2)	n/a	n/a	n/a	n/a	n/a	n/a
	EPAAct compliant	10:1	10:1 (2)	10:1 (2)	10:1 (2)	n/a	n/a	n/a	n/a	n/a	n/a
	NEMA Premium	10:1	10:1 (2)	10:1 (2)	10:1 (2)	n/a	n/a	n/a	n/a	n/a	n/a
Washdown TENV	Standard (EPAAct exempt)	10:1	1000:1	1000:1	1000:1	n/a	n/a	n/a	n/a	n/a	n/a
	EPAAct compliant	10:1	1000:1	1000:1	1000:1	n/a	n/a	n/a	n/a	n/a	n/a
	NEMA Premium	10:1	1000:1	1000:1	1000:1	n/a	n/a	n/a	n/a	n/a	n/a
Explosion Proof	All efficiency levels	Explosion proof motors must be properly nameplated with inverter duty information prior to use on VFD. Motors with automatic overload protectors cannot be used on VFDs.									
IEC Motors		ALL FRAMES	63-90		100-225		250-315				
All enclosures	All efficiency levels	10:1	20:1		Up to 20:1		Up to 2:1				

Note (2) - Washdown TEFC motors are rated for 10:1 C.T. 60 minute duty or 2:1 C.T. continuous duty at lowest RPM
 Lincoln Motors rolled steel - ODP - 280-360 frame - 2:1 Constant torque

280 Frame and higher - TEFC -280-360 frame- 2:1 Constant torque
 400 Frame and higher - Contact local sales office
 Stock 90 VDC and 180 VDC Motors 30:1 of rated torque

Application Notes

Bearing currents: Regal recommends that any motors used with variable frequency drives be equipped with suitable means to protect the motor bearings from shaft currents caused by common mode voltages inherent with operation on a non-sinusoidal power supply. Regal offers several options for motors in non-classified (non-hazardous) locations, including ground brushes, insulated bearings and non-contact shaft grounding rings. For more information on ground brushes and bearing currents, see the VARIABLE SPEED OPERATION section. For installation cost and available options, see the MOD Squad section.

Restricted use: DO NOT APPLY THE FOLLOWING MOTORS ON VARIABLE FREQUENCY DRIVES: single phase motors: motors with inherent overload protection, multi-speed motors, motors with 1.0 service factor on sine wave power. Fire pump motors should not be used with variable frequency power supplies, due to the critical nature of these applications.

Hazardous locations: Consult with Regal when applying motors and drives into hazardous locations, either Division/Zone 1 or Division/Zone 2 areas. UL and CSA policies prohibit the installation of bearing protection devices, such as shaft grounding brushes, rings or insulated bearings on motors in hazardous locations.

STANDARD MOTOR INSULATION SYSTEMS

Maximum Cable Lengths from the Motor to Drive

PRODUCT DESCRIPTION	3 kHz CARRIER FREQUENCY (PHASE TO PHASE)*		
	230 VOLT	460 VOLT	575 VOLT
56-326 NEMA, 100-225 IEC frames	600 ft.	125 ft.	40 ft.
364-5013 NEMA, 250-315 IEC frames	1000 ft.	225 ft.	60 ft.
Motors with corona resistant magnet wire	1500 ft.	475 ft.	140 ft.
Motors with IRIS® or Spike Defense™ insulation	Unlimited	Unlimited	650 ft.
Form-wound low voltage motors	Unlimited	Unlimited	650 ft.
Standard Motor Insulation Systems			
IRIS® Insulation System			
All LEESON 3-Phase motors 1HP and above			
All LEESON premium efficient motors			
All LEESON inverter duty motors			

* Higher carrier frequencies require shorter cable length to obtain normal (50Khrs) insulation life.



Technical Information

Application Information

VARIABLE SPEED INFORMATION

Vector-duty and inverter-duty motors from LEESON® and Lincoln Motors™, unless otherwise stated, are rated for continuous operation in a 40°C ambient and for altitudes up to 3300 feet (1000 meters) above sea level. Special application considerations, such as high or low ambient, intermittent ratings, high altitude, duty cycle rated, extended constant horsepower range, special base speed, voltage or frequency, or any other special requirements, should be reviewed by a factory representative.

It is the responsibility of the startup personnel, during commissioning of the VFD/motor system, to properly tune the drive to the motor for the specific application. The correct voltage boost and volts/hertz settings are application dependent and unique to each motor design. Procedures for these adjustments should be in your VFD user manual.

Many vector-duty and inverter-duty motors in this catalog are equipped with thermostats; warranty coverage may be denied if they are not properly utilized.

⚠ WARNING

Power factor correction capacitors should never be installed between the drive and the motor. Failure to follow these instructions could result in death or serious injury and damage to equipment.

INVERTER DUTY OR INVERTER RATED

“Inverter-Duty” (often called “Inverter-Rated”) motors are suitable for use with Variable Frequency Drives, as long as operation is within the application guidelines published in this catalog. In general, LEESON and Lincoln Motors three phase, general purpose, NEMA® Design B motors are considered “Inverter-Duty,” and meet or exceed the requirements of NEMA MG1, Part 30. As required under federal law, these motors comply with EISA2007 efficiencies when operating from utility power.

Inverter-Duty (Rated) motors are most often used in 10:1 speed range, variable torque or constant torque applications. A vector control is usually required for operation beyond 10:1 CT.

Additional detail regarding a specific product’s capabilities is available on its catalog page, or by consulting your application engineer.

VECTOR DUTY

“Vector-Duty” describes a class of motors that are used in conjunction with open-loop (without encoder) or closed-loop (with encoder) Vector controls, that provide enhanced performance under low speed operating conditions, or in cases where torque (rather than speed) must be controlled. “Vector-Duty” motors can be applied to Volts/Hertz (scalar) drives, as well.

LEESON vector duty motors and Lincoln Motors CTAC motors, have been specifically designed for optimal operation on vector or volts/hertz controls. These motors feature a wide constant torque (up to 2000:1) and/or constant horsepower (up to 4:1) speed range and are performance-matched to all current technology IGBT drives. Vector duty motors meet or exceed the requirements of NEMA MG1, Part 31, and are equipped with an enhanced IRIS®

or Ultimate Spike Defense™ insulation system to provide many years of trouble-free service. Consult the catalog page for each product’s capabilities and features. As these motors are specifically designed for operation through an inverter, they are exempt from EISA2016.

VARIABLE TORQUE LOADS

Applications include fans, blowers and centrifugal pumps. Torque varies as the square of the speed, and horsepower as the cube of the speed. Operation below base speed significantly lightens the load on the motor. While most variable torque applications do not require the motor to operate below half speed, the motor is fully capable of operation to zero speed. Operation above base speed significantly adds to the load on the motor; therefore, a factory representative must review applications requiring variable torque above base speed. Refer to the application chart found on page 9 for use of general purpose three phase motors on variable frequency drives. A bypass circuit is often employed in variable torque applications. If this device is intended to be used, selection of a NEMA Design B motor is recommended, to withstand the inrush current during across-the-line starting.

CONSTANT TORQUE LOADS

Applications include conveyors, elevators, hoists, extruders, positive displacement pumps, mixers and converting equipment. Torque remains constant throughout the range of operation, and extra care should be taken in the proper application of motors, especially at very low speeds. Most constant torque applications don’t require operation below 10:1 (i.e. 6 Hz operation on a 60 Hz motor), but an increasing number of applications historically reserved for servo and/or stepper systems are being served with motors capable of operation beyond 20:1 even up to 2000:1 (zero speed, constant torque). Refer to the application chart found on page 9 for use of general purpose three phase motors on variable frequency drives.

Applications requiring greater than 20:1 C.T. are ideal for LEESON Inverter Duty/Vector-Duty and Lincoln Motors Vector-Duty CTAC® motors. These motors provide full-rated torque within their listed speed range, without exceeding a Class F temperature rating while under inverter power (many operate at Class B). Ratings in this catalog have been developed, based on extensive testing on IGBT inverters, set at a minimum 3 KHz (or equivalent) carrier frequency.

Vector-Duty and Inverter-Duty motors from LEESON and Lincoln Motors are designed for operation at 150% of rated load for one minute, up to the base speed of the motor (overload capability declines to 100% as the motor reaches maximum constant HP speed). These motors accommodate constant horsepower operation to 1-1/2 to 2 times base speed, subject to the motor’s maximum safe mechanical speed limit. Refer to the Maximum Safe Mechanical Speed Chart, as well as the performance section for each motor’s capability.

Motors rated for zero RPM continuous duty (1000:1 or 2000:1) must be powered by vector drives to produce rated torque without overheating. Optimum zero speed and low-speed full torque performance may require a closed loop vector drive (with encoder feedback).

Continued on next page

Single Phase
ODP MotorsSingle Phase
TEFC MotorsThree Phase
ODP MotorsThree Phase
TEFC MotorsInverter Duty
MotorsSevere Duty
MotorsExplosion Proof
MotorsAutomotive
Duty Motors

CONSTANT HORSEPOWER LOADS

Applications include coil winders, band saws, grinders, and turret lathes. Operation requires the motor to deliver the same horsepower rating, regardless of shaft speed. Torque increases at low speed and decreases at higher speed. Most general purpose motors can deliver constant horsepower up to 1 1/2 times base speed (consult a factory representative to verify performance). However, many constant HP applications require operation to twice base speed, and some, such as coil winders, up to 4 times base speed.

MOTOR GROUNDING

Frames and accessories of all motors must be grounded in accordance with the National Electric Code (NEC) Article 430. Refer to NEC Article 250 for general information on grounding. Proper grounding of inverter-driven motors is essential to protect personnel and livestock from inverter-sourced common mode voltages, which may reach hazardous levels on the frame of ungrounded or poorly grounded motors.

LOW INPUT VOLTAGE

If, due to lower utility supply voltage, the input voltage from the VFD to the motor is lower than the motor's rated voltage, de-rating of the motor's base frequency, horsepower, full load RPM, and constant HP RPM is required. The revised values can be calculated by multiplying by the ratio of the voltage change. For example, to operate a 460 volt motor from an inverter fed by 50 or 60 HZ, 400 volt utility power, the multiplier is 400/460 or 0.87.

The VFD can be reprogrammed to match the new base point values, allowing the motor to provide rated torque at rated current from the new base speed down to its original minimum constant torque speed. The motor's CHP range will begin at the new base frequency and will be shortened by the same ratio as described above.

OVERSPEED CAPABILITY

Maximum safe mechanical speed capability is a function of bearing size and type, lubrication, rotor balancing technique and specifications, air gap, enclosure, frame construction and connection to the driven load. In addition, consideration must be given to ambient noise levels, as operation above base speed will increase motor noise and vibration, and reduce bearing life. Under no circumstances should bearing hub temperature exceed 100° C. Belted loads should not exceed 60 Hz operating RPM by more than 25% (NEMA® "TS" shafts are not suitable for belted loads). Due to external cooling fans, TEFC (and explosion proof fan cooled) motors are limited to 4000 RPM maximum speed.

Maximum Safe Mechanical Speed Limits (ODP, TENV, DPFV OR TEBC ENCLOSURES)

60 Hz base frequency

Frame Size	2-Pole	4, 6 or 8-Pole
56-184	7200	5400
213-256	5400	4200
284-286	5400	3600
324-326	4000	3600
364-365	4000	2800
404-449	3600	2800
5000 Fr	N/A	CALL
6800 Fr	N/A	CALL

Single Phase
ODP Motors

Single Phase
TEFC Motors

Three Phase
ODP Motors

Three Phase
TEFC Motors

Inverter Duty
Motors

Severe Duty
Motors

Explosion Proof
Motors

Automotive
Duty Motors



Technical Information

Variable Speed Operation

OTHER APPLICATION CONSIDERATIONS –

For proper selection, the following should be considered:

- Horsepower or torque requirements at various speeds.
- Desired speed range of the load and motor.
- Acceleration and deceleration rate requirements of the process being controlled.
- Starting requirements including the frequency of starting and a description of the load (reflected inertia at the motor, load torque during starting).
- Whether the application is a continuous process or duty cycle of starts, stops and speed changes.
- A general description of the type of application including the environment in which the VFD system components must operate (determines motor enclosure and/or explosion proof classification).
- Description of the available electrical power supply and wiring.
- Special performance requirements, if any.
- Whether the drive will be configured with a by-pass circuit. In case of its deployment, the motor will operate like its fixed speed counterpart and may require a NEMA® B design which limits in-rush current, or selection of a larger motor starter or other protective circuitry.
- Load sharing.
- Mounting and other mechanical considerations.

Single Phase ODP Motors

Single Phase TEFC Motors

Three Phase ODP Motors

Three Phase TEFC Motors

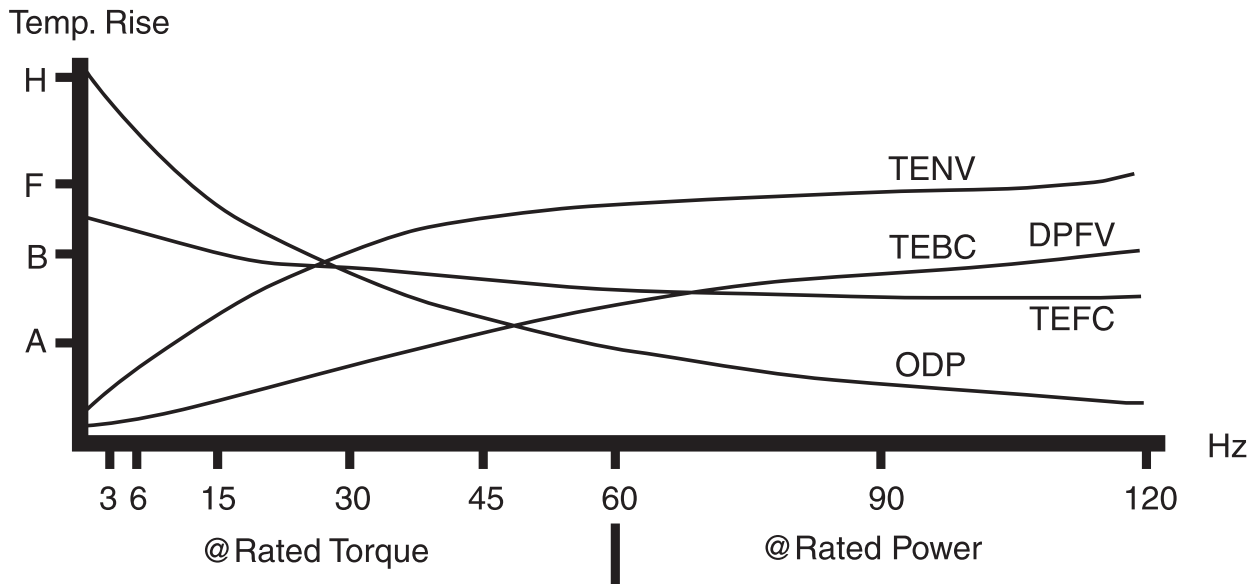
Inverter Duty Motors

Severe Duty Motors

Explosion Proof Motors

Automotive Duty Motors

Typical Temperature Rise Of Various Enclosures



Technical Information

LEESON® Model Number Nomenclature

LEESON MOTOR MODEL NUMBER NOMENCLATURE

All LEESON motors, both stock and custom, have a catalog number and a model number. The model number appears on the motor's nameplate and describes pertinent electrical and mechanical features of the motor. An example follows along with a listing of the various letters and positions used.

POSITION 1: U.L. PREFIX

- A = Auto protector. UL recognized for locked rotor plus run, also recognized construction (UL 1004)*.
- C = Component recognition. (UL 1004) No protector.
- L = Locked rotor protector (automatic or manual)
U.L. recognized for locked rotor only, also recognized construction (U.L. 1004).*
- M = Manual protector. UL recognized for locked rotor plus run, also recognized construction (UL 1004)*.
- N = No overload protection.
- P = Manual protector. UL recognized construction (UL1004).
Motor/protector combination not UL recognized.
- T = Thermostat, not UL recognized.
- U = Auto protector. UL recognized construction (UL1004).
Motor/protector combination not UL recognized.

*This applies only to 48, S56, and 56 frame designs through 1 HP, Open & TENV.

POSITION 1A:(Optional)

- This position is not always used. It is driven by product line.
- I = IEC DC product
- M = Sub-Fractional HP Motor
- Z = BISCC Approved

POSITION 2: FRAME

- | | | |
|-------------------|---------------|---------------|
| 4 = 48 Frame | 24 = 24 Frame | 40 = 40 Frame |
| 6 = 56 Frame | 25 = 25 Frame | 43 = 43 Frame |
| 42= 42 Frame | 30 = 30 Frame | 44 = 44 Frame |
| 143 = 143T Frame | 31 = 31 Frame | |
| 145 = 145T Frame | 32 = 32 Frame | |
| 182 = 182T Frame | 34 = 34 Frame | |
| 184 = 184T Frame | 38 = 38 Frame | |
| 213 = 213T Frame | | |
| 215 = 215T Frame | | |
| 254 = 254T Frame | | |
| 256 = 256T Frame | | |
| 284 = 284T Frame | | |
| 286 = 286T Frame | | |
| 324 = 324T Frame | | |
| 326 = 326T Frame | | |
| 364 = 364T Frame | | |
| 365 = 365T Frame | | |
| 404 = 404T Frame | | |
| 405 = 405 T Frame | | |
| 444 = 444T Frame | | |
| 447 = 447T Frame | | |
| 449 = 449T Frame | | |

POSITION 3: MOTOR TYPE

- | | |
|------------------------|---------------------------|
| C =Cap. Start/Ind. Run | T =Three Phase |
| D =Direct Current | B =Brushless DC |
| K =Cap. Start/Cap. Run | H =Inverter Rated/IEEE841 |
| P =Permanent Split | S =Split Phase |

Odd frequencies other than 50 Hz show synchronous speed code. DC and special motors may have one, two, or three digits indicating motor speed rounded to the nearest hundred RPM.

EXAMPLE:

Position No. 1 2 3 4 5 6 7 8
 Sample Model No. **A 4 C 17 D B 1 A**

POSITION 4: RPM

RPM-Single Speed

- 34 = 3450 RPM 60 Hz 2 Pole
- 28 = 2850 RPM 50 Hz 2 Pole
- 17 = 1725 RPM 60 Hz 4 Pole
- 14 = 1425 RPM 50 Hz 4 Pole
- 11 = 1140 RPM 60 Hz 6 Pole
- 9 = 950 RPM 50 Hz 6 Pole
- 8 = 960 RPM 60 Hz 8 Pole
- 7 = 720 RPM 50 Hz 8 Pole
- 7 = 795 RPM 60 Hz 10 Pole
- 6 = 580 RPM 50 Hz 10 Pole
- 6 = 580 RPM 60 Hz 12 Pole

RPM-Multi-Speed

- 24 = 2 and 4 Poles
- 26 = 2 and 6 Poles
- 82 = 2 and 8 Poles
- 212 = 2 and 12 Poles
- 46 = 4 and 6 Poles
- 48 = 4 and 8 Poles
- 410 = 4 and 10 Poles
- 412 = 4 and 12 Poles
- 68 = 6 and 8 Poles

POSITION 5: ENCLOSURE

- D = Drip-Proof
- E = Explosion-Proof TENV
- F = Fan Cooled
- N = TENV
- O = Open
- S = Splashproof
- T = TENV with IP69 rated enclosure
- U = TEFC with IP69 rated enclosure
- V = Weatherproof, Severe Duty, Chemical Duty, Washgaurd - TENV
- W = Weatherproof, Severe Duty, Chemical Duty, Washgaurd® - TEFC
- X = Explosion-Proof TEFC

POSITION 6: MOUNTING

- B = Rigid base standard
- C = "C" face - no base - NEMA®
- D = "D" flange - no base - NEMA
- H = 48 frame - 56 frame mounting/shaft rigid
- J = 48 frame - 56 frame mounting/shaft resilient
- K = Rigid mount with "C" flange
- M = Motor parts - rotor and stator
- R = Resilient base
- S = Shell motor
- T = Round body
- Z = Special mounting

POSITION 7: SEQUENCE NUMBER

Number assigned as required when new designs with new characteristics are needed.

POSITION 8: MODIFICATION LETTER

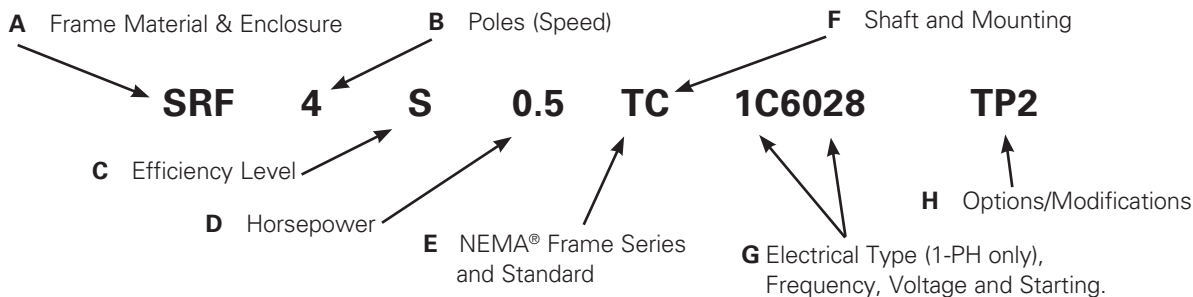
Major modification letter. Used when revisions made in existing model will affect service parts.



Technical Information

Lincoln Motors™ Model Number Defined

A Typical Single Phase Motor Model Number



A Typical Three Phase Motor Model Number

EXAMPLE:

Position No.	A	B	C	D	E,F	G	H
Sample Three Phase Model No. SF2P50TSC619	SF	2	P	50	TSC	61Y	Options/Modifications
Sample One Phase Model No. SF2P50TSC619	SRF	4	S	0.5	TC	1C6028	

- AP20 Division 2 Hazardous location Class 1, DIV2, Groups A,B,C,D
- AP25 China sourced Ultimate E® brand
- AP26 MT2 plant sourced
- CRI Crusher Duty

A Frame Material:

- A, AA = Extruded aluminum
- AV = Alum 63 frame
- AP = Alum 71 frame
- AR = Alum 80 frame
- C = Cast iron
- M = Steel (encapsulated windings, 284T-445T frames)
- S = Steel (143T-449T frames)

Signature Series Motors

- SP = Steel (48 frames)
- SR = Steel (56 frames)
- SS = Steel (143T-215T frames)
- CC = Cast iron (143T and larger)

Enclosure (follows Frame Material):

- A = TEAO
- B = TEBC
- D = ODP
- E = ODP-Encapsulated
- EW = Wash-Thru™ Motor
- F = TEFC
- RN = Steel TENV 48 frame
- N = TENV
- P = Severe Duty IEEE 841
- S = Severe Duty
- FW = TEFC, Washdown
- FX = TE, Explosion-proof
- NW = TENV, Washdown
- RA = TEAO, Steel
- NX = XP, TENV
- YF = TEFC, Metric
- PA = Steel 48 frame
- PN = Steel TENV 48 frame
- RN = Steel TENV 48 frame

B Number of Magnetic Poles: this leads to motor synchronous speed (rpm).

Poles	Speed 60 Hz	Speed 50 Hz
2	3600 RPM	3000 RPM
4	1800	1500
6	1200	1000
8	900	750

Single speed motors:

4 = 1800 (60 Hz) or 1500 (50 Hz)

Two speed motors:

2/4/1 = 3600 and 1800 (60 Hz), one winding

4/8/2 = 1800 and 900 (60 Hz), two windings

C Efficiency Level:

- B = Exceeds NEMA MG-1 Table 12-12
- G = Below NEMA MG-1 Table 12-11, GM7EQ
- P = Meets EPAAct, NEMA MG-1 Table 12-11 and GM-7EH.
- S, H = Below NEMA MG-1 Tables 12-11 and 12-12

D Horsepower:

Single speed motor examples: 0.25, 0.5, 1.5, 75, 800

Horsepower range example: 5-7 = 5 to 7

Two speed motor example:

10/2.5 = 10 HP high speed, 2.5 HP low speed



Technical Information

Lincoln Motors™ Model Number Defined

Tech Information

Single Phase
ODP Motors

Single Phase
TEFC Motors

Three Phase
ODP Motors

Three Phase
TEFC Motors

Inverter Duty
Motors

Severe Duty
Motors

Explosion Proof
Motors

Automotive
Duty Motors

E NEMA® Frame Series and Dimensions:

T or U = sets frame number and dimensions in accordance with NEMA T or U design standards for the motor's HP, speed and enclosure.
E = Metric design IEC

F Shaft and Mounting:

AD = Auger drive R = Resilient mount
 C = C-Face, B14 S = NEMA short shaft
 D = D-Flange, B5 Y = special mounting
 J = Jet Pump (ie. extended thru-bolts)
 JM = JM Pump Mount Z = non-standard shaft
 JP = JP Pump Mount dimensions (-1, -2, -3, etc.
 L = Locked bearing will appear at the end of
 N = No feet the Model Number)

Double shaft motors are identified by two symbols, the first for the "normal drive end" and the second for the "opposite normal drive end": SD4B30TTM61Y and SD4P75TSTS61Y

Each end of the double shaft can have its own mounting: MD4S125TSCTSC61 and CS6P15TTMC61Y

Mounting symbols are listed in alphabetical order when more than one is specified: SSD2S25TJMN61

G Electrical Type (Single Phase Only):

1A = permanent split capacitor
 1B = capacitor start, capacitor run
 1C = capacitor start, induction run
 1N = split phase start, capacitor run
 1S = split phase

Frequency:

6_ = 60 Hz and 5_ = 50 Hz

Voltage:

The specific number has no significance. Lincoln Motors will assign the next number in sequence to a new, previously unmanufactured voltage when it is ordered.

Commonly used voltage codes:

60 Hz		50 Hz
61 = 230/460 V	6026 = 208-230/460	51 = 220/380 V
62 = 200/400	6027 = 115/230	52 = 240/415
63 = 208	6028 = 115/208-230	53 = 230/400
64 = 460	6029 = 208-220/440	54 = 200/400
65 = 575		55 = 380
67 = 440		56 = 400
68 = 380		57 = 415
69 = 480		58 = 440
6003 = 220/380		59 = 220/440
6004 = 220/440		5001 = 190/380
6020 = 2300		5007 = 346
6021 = 4000		5012 = 550
6024 = 2300/4000		5014 = 380-415

Reduced Voltage Start Capability:

P = Part winding start (PWS)
 Y = Wye-delta start (YDS)
 PY = PWS and YDS

H OPTIONS/MODIFICATIONS:

If a motor has more than one Option / Modification, the symbols will appear in alphabetical order.

AP1 CE Compliant Motor
 AP5 Fire Pump certified
 AP7 Farm Duty, High Torque
 AP8 Farm Duty, Extra High Torque
 AP9 Grain Stirring
 AP10 PSC Variable Speed
 AP11 PSC Variable Speed, expanded speed range
 AP13 UL Listed Class 1 Groups C & D and Class 2 Groups F & G, thermostats
 AP14 UL Listed Class 1 Groups C & D and Class 2 Groups F & G, auto reset thermal protector
 AP15 UL Listed Class 1 Group D and Class 2 Groups F & G, thermostats
 AP21 China Sourced
 AP25 China Sourced Ultimate E® Motor
 B F-2 Mount
 C_ Ceiling Mount - NEMA position follows "C"; 1-2
 E3 Class H Insulation
 E5 Class H Insulation & High Temperature Grease
 F Fungus Proofing (Tropicalization)
 H4 Leads exit motor at 12 o'clock position
 HS Precision Dynamic Balance
 HT1 Space Heater, 120V
 HT2 Space Heater, 240 V
 K Omit Terminal Box
 L_ Additional Lead Length - "L" followed by additional length in inches
 MB3 Insulated bearings, both ends
 MB6 Double sealed bearings, both ends
 MK_ Brake installed on motor
 Q1 VTAC Inverter Duty Motor
 Q10 CTAC Inverter Duty Motor with provision for mounting feedback device
 Q15 CTAC Inverter Duty Motor with factory installed Dynapar® 625 1024 ppr encoder
 Q15_ CTAC Inverter Duty Motor with factory installed encoder - letter following "Q15" represents brand and ppr rating of encoder, A through S.
 Q20 CTAC Inverter Duty motor without provision for mounting feedback device
 Q40 CTAC Inverter Duty Motor without provision for mounting feedback device
 QS10 Crop dryer (single phase, auto reset)
 QS11 Crop dryer (single phase, thermostats)
 QS12 Crop dryer (three phase, thermostats)
 RB Roller bearing on drive end
 T1 Thermostats, Class F, 3 in series
 TD1,2 RTD - Winding, 100 Ω platinum
 TD4 RTD - Winding, 10 Ω copper
 TD6 RTD - Winding, 120 Ω nickel
 TP1 Overload protection, manual reset
 TP2 Overload protection, auto reset
 TX1 Thermistors, 3 in series
 W_ Wall Mount - W followed by NEMA position number, 1-8
 X_ Paint color deviation



Dynapar is believed to be the trademark of Dynapar Corporation, and is not owned or controlled by Regal Beloit Corporation.

NEMA is believed to be the trademark of National Electrical Manufacturers Corporation, and is not owned or controlled by Regal Beloit Corporation.

Single Phase ODP Motors

Single Phase Motors – General Purpose – Drip-Proof – 115/208-230V

Rigid Mount – 1/4 HP – 10 HP – Frame sizes – 48 – 215T

C Face Mount – 1/4 HP – 7 1/2 HP – Frame sizes 56C – 215TC

Resilient Base Mount – 1/4 HP – 2 HP – Frame sizes – 48 – 56



- Durable rolled steel construction
- NEMA® Design B performance
- Meets or exceeds NEMA service factors
- Double shielded ball bearings
- Continuous duty
- Thermally protected ratings
- UL recognized component listing and CSA certified

Applications:

For use where water and dust exposure is minimal. Ideally suited for use on pumps, compressors, blowers, fans and other standard industrial applications



Single Phase – Drip-Proof – Rigid Base

HP	SYN RPM 60 Hz	NEMA® Frame	Catalog Number	Stock	List Price	Model Number	App. Wgt. (lbs)	Voltage	Over-load Prot.	F. L. Amps @ 230 V	Service Factor	"C" Dim. (Inches)	♥Notes
1/4	1800	48	E101423.00	√	522	M4K17DB13	19	115/208-230	Man.	1.2	1.35	10.37	S, MX, 53
1/4	1800	48	E100115.00	√	522	A4K17D11	16	115/230	Auto.	1.2	1.35	10.12	S, MX, 53
1/4	1800	S56	E100000.00	√	540	A4K17DH17	20	115/230	Auto.	1.2	1.35	10.49	S, MX, 53
1/3	3600	S56	100336.00	D	355	C4C34DH11	15	115/208-230	None	2.8	1.35	8.99	S, MX
1/3	3600	S56	E100336.00	√	454	C4K34DH6	22	115/230	None	1.5	1.35	10.49	S, MX, 53
1/3	1800	48	E100116.00	√	469	A4K17DB12	16	115/230	Auto.	1.9	1.35	10.62	S, MX, 53
1/3	1800	S56	E100006.00	√	577	C4K17DH5	20	115/230	None	1.9	1.35	10.99	S, MX, 53
1/3	1800	S56	E100588.00	√	595	M4K17DH17	21	115/230	Man.	1.9	1.35	10.99	S, MX, 53
1/3	1800	S56	LM34481	√	660	SRD40.33T16027TP1	18	115/230	Man.	1.9	1.35	10.97	S, MX, 53
1/3	1800	S56	E100001.00	√	599	A4K17DH8	16	115/230	Auto.	1.9	1.35	10.99	S, MX, 53
1/3	1200	56	E104018.00	√	785	C4K11DH1	26	115/230	None	1.7	1.35	11.99	S, MX, 53
1/2	3600	48	E100184.00	√	489	C4K34DB1	15	115/230	None	2.2	1.25	10.37	S, MX, 53
1/2	3600	S56	E100337.00	√	501	C4K34DH5	21	115/230	None	2.2	1.25	10.99	S, MX, 53
1/2	3600	S56	E100052.00	√	528	M4K34DH12	19	115/230	Man.	2.2	1.25	10.99	S, MX, 53
1/2	1800	48	E100338.00	√	633	C4K17DB5	22	115/230	None	2.3	1.25	11.12	S, MX, 53
1/2	1800	S56	E100007.00	√	633	C4K17DH6	23	115/230	None	2.3	1.25	11.49	S, MX, 53
1/2	1800	S56	E100004.00	√	659	M4K17DH21	23	115/230	Man.	2.3	1.25	11.49	S, MX, 53
1/2	1800	S56	E100002.00	√	652	A4K17DH19	23	115/230	Auto.	2.3	1.25	11.49	S, MX, 53
1/2	1200	56	E110002.00	√	1,187	C6K11DB5	41	115/230	None	2.6	1.25	12.37	S, MX, 53
3/4	3600	S56	E100340.00	√	600	C4K34DH4	25	115/230	None	3.6	1.25	11.49	S, MX, 53
3/4	3600	S56	100053.00	D	533	M4C34DH3	28	115/208-230	Man.	4.9	1.25	10.49	S, MX
3/4	3600	S56	E100053.00	√	615	M4K34DH13	28	115/230	Man.	3.6	1.25	11.49	S, MX, 53
3/4	1800	56	E119348.00	√	731	C6K17DB51	40	115/230	None	3.3	1.25	13.15	S, MX, 53
3/4	1800	56	E119855.00	√	769	M05617DRR70014A3	37	115/208-230	Man.	3.3	1.25	12.49	S, MX, 53
3/4	1800	56	E119854.00	√	756	56B17DRR70006A3	28	115/208-230	Auto.	3.3	1.25	12.49	S, MX, 53
3/4	1200	56H	E110003.00	√	1,203	C6K11DB6	45	115/230	None	3.3	1.15	13.62	S, MX, 53
1	3600	56	E110360.00	√	645	C6K34DB31	34	115/230	None	3.9	1.25	11.37	S, US, 53
1	3600	56	E110097.00	√	662	M6K34DB37	30	115/230	Man.	3.9	1.25	11.37	S, US, 53
1	1800	56	110004.00	D	643	C6K17DB2	28	115/208-230	None	6.4	1.15	10.88	S, US
1	1800	56	E110004.00	√	840	C6K17DB52	35	115/230	None	4.2	1.15	11.87	S, US, 53
1	1800	56	E110167.00	√	866	M6K17DB54	33	115/230	Man.	4.2	1.15	11.87	S, US, 53
1	1800	56	E110000.00	√	851	A6K17DB56	31	115/230	Auto.	4.2	1.15	11.87	S, US, 53
1	1800	143T	120044.00	√	740	C143C17DB3	41	115/208-230	None	6.4	1.15	11.28	S, US
1	1800	143T	120003.00	√	779	M143C17DB2	36	115/208-230	Man.	6.4	1.15	11.31	S, US
1	1800	143T	120000.00	√	778	A143C17DB1	35	115/208-230	Auto.	6.4	1.15	11.33	S, US
1 1/2	3600	56	E110361.00	√	975	C6K34DB32	38	115/230	None	6.1	1.15	11.87	S, US, 53
1 1/2	3600	56	113631.00	D	730	M6K34D15	39	115/208-230	Man.	6.2	1.15	11.37	S, US, 53
1 1/2	3600	56	E113631.00	√	898	M6K34DB35	39	115/230	Man.	6.1	1.15	12.37	S, US, 53
1 1/2	3600	143T	120107.00	C/A	710	C143C34D1	35	115/208-230	None	8.2	1.15	11.28	S, US
1 1/2	1800	56H	E110005.00	√	956	C6K17DB53	41	115/230	None	6.5	1.15	12.87	S, US, 53
1 1/2	1800	56H	113266.00	D	973	M6K17DB30	45	115/208-230	Man.	6.7	1.15	12.37	S, US, 53
1 1/2	1800	56H	E113266.00	√	986	M6K17DB55	43	115/230	Man.	6.5	1.15	12.87	S, US, 53
1 1/2	1800	145T	120042.00	√	819	C145K17DB5	43	115/208-230	None	8.6	1.15	12.28	S, US, 53
1 1/2	1800	145T	LM24687	√	933	SSD4S1.5T1C6028	39	115/208-230	None	9.0	1.15	12.49	S, MX
1 1/2	1800	145T	120004.00	√	1,040	P145K17DB3	43	115/208-230	Man.	8.6	1.15	12.28	S, US, 53
1 1/2	1800	145T	120001.00	√	1,040	U145K17DB1	43	115/208-230	Auto.	8.6	1.15	12.28	S, US, 53

Green items are premium efficient.

"E" prefix items comply with SMR 2015.

D - Item to be discontinued once inventory is depleted.

C/A - Check availability.

Continued on next page.

♥ Note listing on inside back flap.
Specifications are subject to change without notice.



Single Phase ODP Motors



Capacitor Start – General Purpose

Single Phase – Drip-Proof – Rigid Base

HP	SYN RPM 60 Hz	NEMA® Frame	Catalog Number	Stock	List Price	Model Number	App. Wgt. (lbs)	Voltage	Over-load Prot.	F. L. Amps @ 230 V	Service Factor	"C" Dim. (Inches)	Notes
2	3600	56	110363.00	D	939	C6C34DB22	40	115/208-230	None	10.0	1.15	11.84	S, US
2	3600	56	E110363.00	√	1,021	C6K34DB33	39	115/230	None	8.0	1.15	11.87	S, US, 53
2	3600	56	E113632.00	√	1,042	M6K34DB40A	31	115/230	Man.	8.0	1.15	12.37	S, US, 53
2	3600	145T	120106.00	√	1,011	C145C34DB3	43	115/208-230	None	10.5	1.15	12.28	S, US
2	1800	56H	116704.00	D	1,040	P6K17DB47	45	115/208-230	Man.	10.5	1.15	12.68	S, US, 53
2	1800	56H	E116704.00	√	1,101	56B17DRR70033A3	45	115/208-230	Man.	8.6	1.15	14.49	S, MX, 53
2	1800	145T	120067.00	√	976	C145K17DB9	45	115/208-230	None	10.5	1.15	13.28	S, US, 53
2	1800	145T	LM24677	√	1,022	SSD4S2T16028	49	115/208-230	None	10.5	1.15	13.49	S, MX, 53
2	1800	145T	120879.00	√	1,094	P145K17DB38	54	115/208-230	Man.	8.6	1.15	14.25	S, US, 53
2	1800	182T	131515.00	√	1,011	C182C17DB8	59	115/208-230	None	12.4	1.15	13.19	S, MX
2	1800	182T	131536.00	√	1,082	P182C17DB10	66	115/208-230	Man.	12.4	1.15	13.19	S, MX
2	1800	182T	131535.00	√	1,077	U182C17DB9	66	115/208-230	Auto.	12.4	1.15	13.19	S, MX
3	3600	56H	E116706.00	√	1,094	M6K34DK28A	39	230	Man.	11.6	1.00	13.58	S, US, 53
3	3600	182T	131636.00	√	1,163	C182K34DB3	77	115/208-230	None	14.0	1.15	14.19	S, MX, 53
3	1800	184T	131534.00	√	1,095	C184C17DB19	78	115/230	None	16.9	1.15	14.19	S, MX
3	1800	184T	131561.00	√	1,295	P184C17DB21	79	115/230	Man.	16.9	1.15	14.19	S, MX
3	1800	184T	131851.00	C/A	1,293	C184K17DB40	75	208-230	Man.	12.8	1.15	13.69	S, MX, 53
3	1800	184T	131530.00	√	1,295	U184C17DB20	72	115/230	Auto.	16.9	1.15	14.19	S, MX
5	3600	56H	116708.00	√	1,072	P6K34DB26	45	230	Man.	20.8	1.00	13.34	S, MX, 53
5	3600	184T	131616.00	√	1,384	C184K34DB3	87	208-230	None	22.0	1.15	14.69	S, MX, 53
5	3600	184T	LM24681	C/A	1,419	SS184D2S5T1C6008	87	208-230	None	22.0	1.15	14.69	S, MX, 53
5	1800	184T	131537.00	√	1,313	C184K17DB31	86	208-230	None	21.0	1.15	14.69	S, MX, 53
5	1800	184T	LM24682	√	1,343	SSD4S5T16008	89	208-230	None	20.0	1.15	15.21	S, MX, 53
5	1800	184T	131560.00	√	1,313	C184K17DB32	85	208	None	23.2*	1.15	14.69	S, MX, 53
5	1800	184T	131622.00	√	1,570	P184K17DB33	85	208-230	Man.	21.0	1.15	14.69	S, MX, 53
7 1/2	3600	184T	132044.00	√	1,266	C184K34DB8	110	208-230	Tstat	31.0	1.15	16.69	S, MX, 53
7 1/2	3600	213T	140680.00	√	2,136	C213K34DB1	115	208-230	None	29.5	1.15	18.04	S, MX, 53
7 1/2	1800	215T	140155.00	√	1,865	C215K17DB2	116	230	None	36.0	1.15	17.26	S, MX, 53
7 1/2	1800	215T	LM24683	√	1,967	SS15D4S75T16008	116	208-230	None	34.5	1.15	18.05	S, MX, 53
10	3600	215T	140681.00	√	2,702	C215K34DB1	126	208-230	None	37.0	1.15	19.29	S, MX, 53
10	1800	215TZ	140311.00	D	2,725	C215K17DB4	159	230	None	43.0	1.25	19.76	S, MX, 53
10	1800	215TZ	141430.00	√	2,725	C215K17DB18	159	230	None	39.0	1.25	21.09	S, MX, 53
10	1800	215T	LM24684	√	2,793	SSD4S10T16008	140	208-230	None	44.0	1.15	19.29	S, MX, 53

Green items are premium efficient.

"E" prefix items comply with SMR 2015.

D - Item to be discontinued once inventory is depleted.

C/A - Check availability.

* F.L. Amps at 208V.

♥ Note listing on inside back flap.

Specifications are subject to change without notice.

Tech Information

Single Phase ODP Motors

Single Phase TEFC Motors

Three Phase ODP Motors

Three Phase TEFC Motors

Inverter Duty Motors

Severe Duty Motors

Explosion Proof Motors

Automotive Duty Motors





Single Phase - C Face Motors



**Drip-Proof - Capacitor Start
General Purpose - C Face Less Base**

Tech Information

Single Phase
ODP Motors

Single Phase
TEFC Motors

Three Phase
ODP Motors

Three Phase
TEFC Motors

Inverter Duty
Motors

Severe Duty
Motors

Explosion Proof
Motors

Automotive
Duty Motors

Single Phase - Drip-Proof - C Face Less Base

HP	SYN RPM 60 Hz	NEMA® Frame	Catalog Number	Stock	List Price	Model Number	App. Wgt. (lbs)	Voltage	Over-load Prot.	F. L. Amps @ 230 V	Service Factor	"C" Dim. (Inches)	♥Notes
1/4	1800	S56C	E100023.00	✓	544	C4K17DC13	17	115/230	None	1.2	1.35	10.74	S,MX,53
1/4	1800	S56C	E101521.00	✓	555	A4K17DC19	16	115/230	Auto.	1.2	1.35	10.74	S,MX,53
1/3	3600	S56C	E100354.00	✓	478	C4K34DC4	17	115/230	None	1.5	1.35	10.24	S,MX,53
1/3	3600	S56C	E100355.00	✓	495	A4K34DC6A	15	115/230	Auto.	1.5	1.35	10.49	S,MX,53
1/3	1800	S56C	E100024.00	✓	608	C4K17DC12	19	115/230	None	1.9	1.35	10.99	S,MX,53
1/3	1800	S56C	LM34059	C/A	610	SRD40.33TLCN1C6028	19	115/230	None	1.9	1.35	10.94	S,MX,53
1/3	1800	S56C	E100018.00	✓	627	M4K17DC20	16	115/230	Man.	1.9	1.35	10.99	S,MX,53
1/3	1800	S56C	E101522.00	✓	616	A4K17DC21	20	115/230	Auto.	3.4	1.35	10.99	S,MX,53
1/2	3600	S56C	E100356.00	✓	519	C4K34DC3	22	115/230	None	2.2	1.25	10.74	S,MX,53
1/2	3600	S56C	E100054.00	✓	539	A4K34DC7	21	115/230	Auto.	2.2	1.25	10.99	S,MX,53
1/2	1800	S56C	E100025.00	✓	653	C4K17DC14	22	115/230	None	2.3	1.25	11.49	S,MX,53
1/2	1800	S56C	E100019.00	✓	672	M4K17DC23	24	115/230	Man.	2.3	1.25	11.49	S,MX,53
1/2	1800	S56C	E100020.00	✓	661	A4K17DC22	23	115/230	Auto.	2.3	1.25	11.49	S,MX,53
1/2	1200	56C	E110381.00	✓	1,215	C6K11DC5	37	115/230	None	2.6	1.25	12.37	S,US
3/4	3600	S56C	E100357.00	✓	633	C4K34DC5	23	115/230	None	3.6	1.25	11.49	S,MX,53
3/4	3600	S56C	E100055.00	✓	630	A4K34DC8	27	115/230	Auto.	3.6	1.25	11.49	S,MX,53
3/4	1800	56C	E119349.00	✓	756	C6K17DC50	30	115/230	None	3.3	1.25	13.15	S,MX
3/4	1800	56C	E119857.00	✓	790	M05617DRC70004A3	24	115/208-230	Man.	3.3	1.25	12.31	S,MX,53
3/4	1800	56C	E119862.00	✓	782	A6K17DC49	29	115/208-230	Auto.	3.3	1.25	12.31	S,MX,53
3/4	1200	56C	E110382.00	✓	1,306	C6K11DC6	30	115/230	None	3.3	1.25	13.62	S,US,53
1	3600	56C	E110384.00	✓	689	C6K34DC25	34	115/230	None	3.9	1.25	11.37	S, US, 53
1	3600	56C	E113337.00	✓	710	A6K34DC31	32	115/230	Auto.	3.9	1.25	11.87	S,MX,53
1	1800	56C	E110220.00	✓	851	C6K17DC51	37	115/230	None	4.2	1.15	11.87	S,US,53
1	1800	56C	E110036.00	✓	883	M6K17DC57	30	115/230	Man.	4.2	1.15	11.87	S,MX,53
1	1800	143TC	121002.00	✓	772	C143C17DC2	32	115/208-230	None	6.4	1.15	11.28	S,US
1 1/2	3600	56C	E110387.00	✓	936	C6K34DC26	37	115/230	None	6.1	1.15	11.87	S, MX, 53
1 1/2	3600	56C	E113336.00	✓	956	A6K34DC28	31	115/230	Auto.	6.1	1.15	12.37	S, MX, 53
1 1/2	1800	56C	110388.00	D	862	C6K17DC4	41	115/208-230	None	8.6	1.15	11.84	S, MX, 53
1 1/2	1800	56C	E110388.00	✓	972	C6K17DC52	39	115/230	None	6.5	1.15	12.87	S, MX, 53
1 1/2	1800	56C	E110037.00	✓	995	M6K17DC55A	42	115/230	Man.	6.5	1.15	12.87	S, MX, 53
2	3600	56C	E110390.00	✓	1,009	C6K34DC27	38	115/230	None	8.0	1.15	11.87	S, US, 53
2	3600	56C	E113335.00	✓	1,152	A6K34DC29A	38	115/230	Auto.	8.0	1.15	11.87	S, US, 53
2	3600	145TC	121184.00	C/A	987	C145C34DC4	40	115/208-230	None	10.0	1.15	12.28	S, US
2	1800	56C	LM34060	✓	1,137	SRD42TLCN16028	30	115/230	None	6.3	1.15	14.10	S, MX, 53
2	1800	145TC	120073.00	✓	980	C145K17DC4	44	115/208-230	None	10.5	1.15	13.28	S, US, 53
3	3600	56C	E113334.00	✓	1,108	A6K34DC32	39	230	Auto.	12.0	1.00	13.50	S, US, 53
3	1800	184TC	131544.00	✓	1,138	C184C17DC5	76	115/230	None	16.9	1.15	14.20	S, MX
5	3600	184TC	131777.00	C/A	1,524	C184K34DC2	73	208-230	None	22.2	1.15	14.70	S, MX, 53
5	1800	184TC	131539.00	C/A	1,585	C184K17DC6	84	208-230	None	21.0	1.15	14.70	S, MX, 53

Green items are premium efficient.
"E" prefix items comply with SMR 2015.

D - Item to be discontinued once inventory is depleted.
C/A - Check availability.

♥ Note listing on inside back flap.
Specifications are subject to change without notice.



Single Phase - C Face Motors



Drip-Proof - Capacitor Start

Single Phase - Drip-Proof - C Face With Base

HP	SYN RPM 60 Hz	NEMA® Frame	Catalog Number	Stock	List Price	Model Number	App. Wgt. (lbs)	Voltage	Over-load Prot.	F. L. Amps @ 230 V	Service Factor	"C" Dim. (Inches)	♥Notes
1/3	1800	S56C	E103023.00	√	621	C4K17DK2	20	115/230	None	1.9	1.35	10.74	S, MX, 53
1/3	1800	S56C	E103083.00	C/A	645	M4K17DH18A	18	115/230	Man.	1.9	1.35	10.99	S, MX, 53
1/2	3600	S56C	E103024.00	√	527	C4K34DK3	29	115/230	None	2.2	1.25	10.74	S, MX, 53
1/2	1800	S56C	E101651.00	√	679	C4K17DK5	20	115/230	None	2.3	1.25	11.49	S, MX, 53
1/2	1800	S56C	E103084.00	√	738	M4K17DH20A	21	115/230	Man.	2.3	1.25	11.49	S, MX, 53
3/4	3600	S56C	E103025.00	√	690	C4K34DK4	26	115/230	None	3.6	1.25	11.49	S, MX, 53
3/4	1800	56C	E119350.00	√	753	C6K17DK44	30	115/230	None	3.3	1.25	13.08	S, MX, 53
3/4	1800	56C	E119863.00	√	798	M05617DRR70016A3	27	115/208-230	Man.	3.3	1.25	12.31	S, MX, 53
1	3600	56C	116769.00	D	570	C6K34DK6	28	115/208-230	None	5.4	1.25	10.87	S, US
1	3600	56C	E116769.00	√	692	C6K34DK23	29	115/230	None	3.3	1.25	11.37	S, MX, 53
1	1800	56C	E113930.00	√	863	C6K17DK45	35	115/230	None	6.0	1.15	11.87	S, MX, 53
1 1/2	3600	56C	E116770.00	C/A	935	C6K34DK24	36	115/230	None	3.9	1.15	11.87	S, MX, 53
1 1/2	3600	56C	114214.00	D	778	M6K34DK8	38	115/208-230	Man.	4.2	1.15	11.34	S, MX, 53
1 1/2	3600	56C	E114214.00	√	988	M6K34DK263	38	115/230	Man.	6.1	1.15	12.37	S, MX, 53
1 1/2	1800	56HC	E113932.00	√	984	C6K17DK46	41	115/230	None	6.2	1.15	12.87	S, MX, 53
1 1/2	1800	56HC	113700.00	D	1,027	M6K17DK15	41	115/208-230	Man.	6.1	1.15	11.84	S, MX, 53
1 1/2	1800	56HC	E113700.00	√	1,027	M6K17DK47	41	115/230	Man.	6.5	1.15	12.87	S, MX, 53
2	3600	56C	E116771.00	√	1,059	C6K34DK25	40	115/230	None	8.0	1.15	11.87	S, MX, 53
2	3600	56C	114215.00	D	987	P6K34DK9	38	115/208-230	Man.	8.6	1.15	11.34	S, MX, 53
2	3600	56C	E114215.00	√	1,085	M6K34DK27	38	115/230	Man.	8.0	1.00	12.37	S, MX, 53
2	1800	56HC	113281.00	D	1,063	P6K17DK12	48	115/208-230	Man.	8.6	1.15	12.87	S, MX, 53
2	1800	56HC	E113281.00	√	1,114	M05617DRR70030A3	57	115/208-230	Man.	8.0	1.15	14.30	S, MX, 53
2	1800	145TC	120992.00	√	931	C145K17DK7	48	115/208-230	None	10.5	1.15	13.28	S, MX, 53
3	3600	56HC	E116707.00	√	1,143	M6K34DK28	41	230	Man.	11.6	1.00	13.50	S, MX, 53
3	3600	182TC	132083.00	C/A	1,215	C182K34DK2	74	115/208-230	None	14.0	1.15	14.20	S, MX, 53
3	1800	184TC	131629.00	√	1,295	P184C17DK3	69	115/230	Man.	16.9	1.15	14.20	S, MX
3	1800	184TC	131853.00	√	1,293	C184K17DK18	100	208-230	Man.	13.8	1.15	13.20	S, MX, 53
5	3600	56HC	116709.00	√	1,102	P6K34DK18	51	230	Man.	20.8	1.00	13.84	S, MX, 53
5	3600	184TC	131781.00	√	1,529	C184K34DK4	73	208-230	None	22.2	1.15	14.70	S, MX, 53
5	1800	184TC	131630.00	√	1,591	M184K17DK13	80	208-230	Man.	21.0	1.15	14.70	S, MX, 53
7 1/2	3600	184TC	132043.00	√	1,586	C184K34DK8	112	208-230	T-stats	31.0	1.15	16.70	S, MX, 53
7 1/2	1800	215TC	140806.00	√	1,634	C215K17D5	120	230	None	36.0	1.15	17.26	S, MX, 53

Green items are premium efficient.

"E" prefix items comply with SMR 2015.

D - Item to be discontinued once inventory is depleted.

C/A - Check Availability.

♥ Note listing on inside back flap.

Specifications are subject to change without notice.



Single Phase ODP Motors

WATTSaver® Premium Efficiency Fan Motors

Features Include:

- Premium efficient
- Class F insulation
- Terminal boards
- Shielded ball bearings



Single Phase – Drip-Proof – Resilient Base

HP	SYN RPM 60 Hz	NEMA® Frame	Catalog Number	Stock	List Price	Model Number	App. Wgt. (lbs)	Voltage	Over-load Prot.	F. L. Amps @ 115 V	Service Factor	% F. L. Eff.	"C" Dim. (Inches)	♥Notes
1/4	1800	48	101602.00	√	497	A4K17DR7	22	115	Auto.	2.5	1.35	71.0	10.39	S, MX, 32, 53
1/3	1800	48	101405.00	√	587	A4K17DR5	22	115	Auto.	3.2	1.35	75.0	10.39	S, MX, 32, 53
1/2	1800	48	101585.00	√	671	A4K17DR6	23	115	Auto.	4.6	1.35	76.0	11.39	S, MX, 32, 53

Green items are premium efficient.

♥ Note listing on inside back flap.
Specifications are subject to change without notice.

Tech Information

Single Phase ODP Motors

Single Phase TEFC Motors

Three Phase ODP Motors

Three Phase TEFC Motors

Inverter Duty Motors

Severe Duty Motors

Explosion Proof Motors

Automotive Duty Motors



Single Phase TEFC Motors

Standard and Premium Efficiency

General Purpose – 115/208-230 Volt

Rigid Mount – 1/12 HP – 15 HP – 42 through 215T frame

Resilient Mount – 1/2 HP – 1 HP – 56 frame

C Face Motors – 1/6 HP – 10 HP – 48C through 215TC



- Durable rolled steel construction
- NEMA® Design B performance
- Meets or exceed NEMA service factors
- Double shielded ball bearings
- Continuous duty
- Thermally protected ratings
- UL recognized component listing and CSA certified



Applications:

For use where exposure to water, dust and dirt exists. Ideally suited for use on pumps, compressors, fans, conveyors and other industrial equipment.



Single Phase TEFC Motors

Capacitor Start – General Purpose

Tech Information

Single Phase – TEFC – Rigid Base

HP	SYN RPM 60 Hz	NEMA® Frame	Catalog Number	Stock	List Price	Model Number	App. Wgt. (lbs)	Voltage	Over-load Prot.	F. L. Amps @ 230 V	Service Factor	“C” Dim. (Inches)	♥Notes
1/12	1800	42	092111.00	✓	392	C42C17FB3	15	115/208-230	None	1.1	1.15	8.94	S, US
1/8	1800	42	092114.00	✓	405	C42C17FB2	19	115/208-230	None	1.6	1.15	9.44	S, US
1/6	1800	42	092116.00	✓	444	C42C17FB1	20	115/208-230	None	2.1	1.15	9.44	S, US
1/6	1800	48	102012.00	✓	441	C4C17FB23	20	115/208-230	None	2.0	1.15	9.06	S, MX
1/6	1200	48	102013.00	✓	625	C4C11FB3	20	115/208-230	None	1.9	1.15	10.31	S, MX
1/4	3600	42	092112.00	✓	450	C42C34FB3	18	115/208-230	None	2.1	1.15	9.94	S, US
1/4	1800	48	102014.00	✓	433	C4C17FB21	18	115/208-230	None	2.7	1.15	9.06	S, MX
1/4	1800	48	101446.00	✓	498	M4C17FB10	18	115/208-230	Man.	2.7	1.15	9.06	S, MX
1/4	1800	S56	LM24606	C/A	588	SRF4S0.25T1C6028	18	115/208-230	None	2.0	1.15	10.22	S, MX
1/4	1200	48	102015.00	✓	665	C4C11FB4	25	115/208-230	None	3.2	1.15	11.31	S, MX
1/4	1200	56	114617.00	✓	701	C6C11FB7	33	115/208-230	None	2.8	1.15	11.99	S, US
1/3	3600	48	102016.00	✓	413	C4C34FB10	16	115/208-230	None	2.8	1.15	9.06	S, MX
1/3	1800	48	100955.00	✓	479	C4C17FB3	17	115/208-230	None	3.3	1.15	9.56	S, MX
1/3	1800	48	102018.00	✓	549	M4C17FB22	23	115/208-230	Man.	3.3	1.15	9.56	S, MX
1/3	1800	S56	102931.00	✓	477	C4C17FH31	21	115/208-230	None	3.1	1.15	10.44	S, MX
1/3	1800	56	LM24597	✓	502	SRF4S0.33T1C6028	19	115/208-230	None	3.0	1.15	10.47	S, MX
1/3	1800	S56	102933.00	✓	544	M4C17FH33	22	115/208-230	Man.	3.1	1.15	10.44	S, MX
1/3	1800	S56	LM24602	C/A	574	SRF3S0.33T1C6028TP1	20	115/208-230	Man.	3.0	1.15	10.47	S, MX
1/3	1800	S56	102932.00	✓	563	A4C17FH32	21	115/208-230	Auto.	3.1	1.15	10.44	S, MX
1/3	1800	56	113765.00	✓	661	M6K17FB33	26	115/208-230	Man.	1.7	1.15	10.99	S, US, 53
1/3	1200	48	102019.00	✓	734	C4C11FB5	31	115/208-230	None	3.1	1.00	11.56	S, MX
1/3	1200	56	110009.00	✓	734	C6C11FB1	31	115/208-230	None	3.9	1.00	12.48	S, US
1/3	1200	56	LM24546	✓	769	SRF6S0.33T1C6028	28	115/208-230	None	3.9	1.15	12.32	S, MX
1/2	3600	48	102020.00	✓	471	C4C34FB9	19	115/208-230	None	3.5	1.15	9.31	S, MX
1/2	3600	S56	102905.00	✓	469	C4C34FH8	20	115/208-230	None	3.5	1.15	9.94	S, MX
1/2	3600	56	LM24706	C/A	493	SRF2S0.5T1C6028	27	115/208-230	None	4.2	1.15	11.82	S, MX
1/2	3600	S56	102904.00	✓	502	M4C34FH7	20	115/208-230	Man.	3.5	1.15	9.94	S, MX
1/2	3600	56	LM24743	✓	528	SRF2S0.5T1C6028TP1	23	115/208-230	Man.	4.2	1.15	11.82	S, MX
1/2	1800	48	100956.00	✓	549	C4C17FB4	22	115/208-230	None	4.0	1.15	10.31	S, MX
1/2	1800	S56	102906.00	✓	544	C4C17FH28	22	115/208-230	None	4.0	1.15	10.69	S, MX
1/2	1800	S56	LM24627	✓	574	SRF4S0.5T1C6028	24	115/208-230	None	4.0	1.15	11.22	S, MX
1/2	1800	S56	102909.00	✓	639	M4C17FH30	22	115/208-230	Man.	4.0	1.15	10.69	S, MX
1/2	1800	S56	LM24604	C/A	674	SRF2S0.5T1C6028TP1	24	115/208-230	Man.	4.0	1.15	11.22	S, MX
1/2	1800	S56	102908.00	✓	652	A4C17FH29	25	115/208-230	Auto.	4.0	1.15	10.69	S, MX
1/2	1800	56	113766.00	✓	734	M6K17FB34	33	115/208-230	Man.	2.5	1.15	11.49	S, US, 53
1/2	1200	56	110011.00	✓	1,044	C6C11FB2	41	115/208-230	None	4.7	1.00	12.98	S, US

Green items are Premium Efficient.

C/A - Check availability.

Continued on next page.

♥ Note listing on inside back flap. Specifications are subject to change without notice.

Single Phase ODP Motors

Single Phase TEFC Motors

Three Phase ODP Motors

Three Phase TEFC Motors

Inverter Duty Motors

Severe Duty Motors

Explosion Proof Motors

Automotive Duty Motors



Single Phase TEFC Motors

Capacitor Start – General Purpose

Single Phase - TEFC - Rigid Base

HP	SYN RPM 60 Hz	NEMA® Frame	Catalog Number	Stock	List Price	Model Number	App. Wgt. (lbs)	Voltage	Over-load Prot.	F. L. Amps @ 230 V	Service Factor	"C" Dim. (Inches)	♥Notes
3/4	3600	56	110276.00	√	528	C6C34FB15	29	115/208-230	None	5.0	1.15	11.48	S, US
3/4	3600	56	110108.00	√	562	M6C34FB7	29	115/208-230	Man.	5.0	1.15	11.48	S, US
3/4	3600	56	LM24744	√	584	SRF2S0.75T1C6028TP1	26	115/208-230	Man.	5.3	1.15	12.32	S, MX
3/4	1800	56	110013.00	√	652	C6C17FB2	32	115/208-230	None	5.4	1.15	11.48	S, US
3/4	1800	56	LM24607	C/A	682	SRF4S0.75T1C6028	29	115/208-230	None	5.5	1.15	12.32	S, MX
3/4	1800	56	110022.00	√	762	M6C17FB7	32	115/208-230	Man.	5.4	1.15	11.48	S, US
3/4	1800	56	110017.00	√	796	A6C17FB4	29	115/208-230	Auto.	5.4	1.15	11.48	S, US
3/4	1800	56	113767.00	√	866	M6K17FB35	38	115/208-230	Man.	3.2	1.15	11.99	S, US, 53
3/4	1200	56H	110400.00	√	1,208	C6K11FB1	46	115/208-230	None	5.3	1.00	13.48	S, US, 53
3/4	1200	56	LM24497	√	1,266	SRF6S0.75T1B6028	39	115/208-230	None	5.7	1.15	13.82	S, MX, 53
1	3600	56	110059.00	√	614	C6C34FB5	31	115/208-230	None	6.0	1.15	11.98	S, US
1	3600	56	110142.00	√	686	M6C34FB2	31	115/208-230	Man.	6.0	1.15	11.98	S, US
1	3600	56	LM24745	√	722	SRF2S1T1C6028TP1	31	115/208-230	Man.	6.2	1.15	12.32	S, MX
1	1800	56H	110209.00	√	749	C6C17FB17	33	115/208-230	None	7.0	1.15	11.98	S, US
1	1800	56	LM24610	√	853	SRF4S1T1C6028	33	115/208-230	None	6.7	1.15	12.82	S, MX
1	1800	56	110023.00	√	862	M6C17FB8	32	115/208-230	Man.	6.4	1.15	11.98	S, US
1	1800	56	110018.00	√	892	A6C17FB5	32	115/208-230	Auto.	6.4	1.15	11.98	S, US
1	1800	56	113768.00	√	992	M6K17FB36	36	115/208-230	Man.	4.2	1.15	12.49	S, US, 53
1	1800	143T	120025.00	√	825	C143C17FB3	33	115/208-230	None	6.4	1.15	12.93	S, US
1	1800	143T	LM24709	C/A	864	SSF4S1T1C6028	32	115/208-230	None	6.7	1.15	12.87	S, MX
1	1800	143T	120008.00	√	936	M143C17FB2	34	115/208-230	Man.	6.4	1.15	12.93	S, US
1	1200	145T	120043.00	√	1,384	C145K11FB1	52	115/208-230	None	6.4	1.00	14.43	S, US, 53
1 1/2	3600	56	110094.00	√	806	C6C34FB6	34	115/208-230	None	8.5	1.00	12.48	S, US
1 1/2	3600	56H	LM24531	√	842	SRF2S1.5T1B6028	35	115/208-230	None	7.1	1.15	12.82	S, MX, 53
1 1/2	3600	56	110109.00	√	945	M6C34FB8	34	115/208-230	Man.	8.5	1.00	12.48	S, US
1 1/2	3600	56H	LM24532	√	1,072	SRF2S1.51B6028TP1	35	115/208-230	Man.	7.1	1.15	12.82	S, MX, 53
1 1/2	3600	143T	120130.00	√	806	C143C34FB1	39	115/208-230	None	8.5	1.00	13.43	S, US
1 1/2	3600	143T	LM24710	C/A	842	SRF4S1.5T1B6028	34	115/208-230	None	7.1	1.15	12.87	S, MX, 53
1 1/2	1800	56H	110253.00	√	851	C6K17FB9	41	115/208-230	None	8.6	1.00	12.98	S, US, 53
1 1/2	1800	56H	LM24513	√	890	SSF4S1.5T1B6028	40	115/208-230	None	7.6	1.15	13.82	S, MX, 53
1 1/2	1800	56H	113333.00	√	976	M6K17FB32	41	115/208-230	Man.	8.6	1.00	12.99	S, US, 53
1 1/2	1800	56H	LM24515	C/A	1,022	SRF3S1.5T1B6028TP1	41	115/208-230	Man.	7.6	1.15	13.82	S, MX, 53
1 1/2	1800	56H	110019.00	√	1,059	U6K17FB1	41	115/208-230	Auto.	8.6	1.00	12.99	S, US, 53
1 1/2	1800	56H	113769.00	√	1,128	M6K17FB37	46	115/208-230	Man.	6.5	1.15	13.49	S, US, 53
1 1/2	1800	145T	120026.00	√	851	C145K17FB3	42	115/208-230	None	8.6	1.00	13.43	S, US, 53
1 1/2	1800	145T	LM24711	C/A	890	SSF4S1.5T1B6028	42	115/208-230	None	7.6	1.15	13.87	S, MX, 53
1 1/2	1800	145T	120009.00	√	976	M145K17FB2	45	115/208-230	Man.	8.6	1.00	12.93	S, US, 53
1 1/2	1800	145T	LM24746	C/A	1,022	SSF4S1.5T1B6028TP1	43	115/208-230	Man.	7.6	1.15	13.87	S, MX, 53
1 1/2	1200	184T	131526.00	√	2,244	C184C11FB2	75	115/208-230	None	11.0	1.00	15.46	S, MX

Green items are Premium Efficient.

Continued on next page.

C/A - Check Availability.

♥ Note listing on inside back flap.
Specifications are subject to change without notice.



Single Phase TEFC Motors

Capacitor Start – General Purpose

Tech Information

Single Phase
ODP Motors

Single Phase
TEFC Motors

Three Phase
ODP Motors

Three Phase
TEFC Motors

Inverter Duty
Motors

Severe Duty
Motors

Explosion Proof
Motors

Automotive
Duty Motors

Single Phase - TEFC - Rigid Base

HP	SYN RPM 60 Hz	NEMA® Frame	Catalog Number	Stock	List Price	Model Number	App. Wgt. (lbs)	Voltage	Over-load Prot.	F. L. Amps @ 230 V	Service Factor	"C" Dim. (Inches)	♥Notes
2	3600	56H	110352.00	√	1,052	C6C34FB21	44	115/208-230	None	10.0	1.00	13.48	S, US
2	3600	56H	110402.00	√	1,101	P6C34FB23	44	115/208-230	Man.	10.0	1.00	13.48	S, US
2	3600	145T	120036.00	√	1,059	C145C34FB1	45	115/208-230	None	10.0	1.00	13.93	S, US
2	3600	145T	LM24712	C/A	1,099	SRF2ST1B6028	43	115/208-230	None	9.0	1.15	13.37	S, MX, 53
2	3600	145T	120395.00	√	1,114	P145C34FB5	47	115/208-230	Man.	10.0	1.00	13.93	S, US
2	1800	56HZ	113770.00	√	1,552	M6K17FB38	52	230	Man.	8.2	1.15	14.43	S, US, 3, 53
2	1800	145T	121507.00	√	1,389	C145K17FB24	45	115/208-230	None	9.2	1.15	13.93	S, US, 53
2	1800	145T	120867.00	√	1,401	P145K17FB22	45	115/208-230	Man.	9.2	1.00	13.93	S, US, 53
2	1800	182T	131509.00	√	1,219	C182C17FB11	68	115/208-230	None	12.4	1.00	14.46	S, MX
2	1800	182T	LM24713	√	1,260	SS18F4S21B028	64	115/208-230	None	12.4	1.15	14.46	S, MX, 53
2	1200	215T	140747.00	C/A	3,326	C215K11FB3	118	115/208-230	None	11.2	1.15	18.71	S, MX, 53
3	3600	56H	116705.00	√	1,148	P6K34FB31	53	230	Man.	13.0	1.00	13.99	S, US, 53
3	3600	145T	120341.00	√	1,143	C145K34FB3	49	230	None	13.0	1.00	14.43	S, US, 53
3	3600	145T	LM24714	√	1,184	SS14F2S3T1B6008	51	208-230	None	11.8	1.15	14.87	S, MX, 53
3	3600	182T	131637.00	√	1,258	C182K34FB2	81	115/208-230	None	13.4	1.15	14.96	S, MX, 53
3	1800	184T	131533.00	√	1,438	C184C17FB12	86	115/208-230	None	16.8	1.00	16.46	S, MX
3	1800	184T	LM24716	C/A	1,474	SS184F4S3T1C6028	89	115/208-230	None	16.8	1.00	16.46	S, MX
3	1800	184T	131855.00	√	1,552	P184K17FB26	88	208-230	Man.	13.6	1.15	14.96	S, MX, 53
5	3600	184T	131549.00	√	1,738	C184K34FB6	96	230	None	19.8	1.15	16.96	S, MX, 53
5	3600	184T	132042.00	√	1,940	P184K34FB9	103	230	Man.	19.8	1.15	16.96	S, MX, 53
5	1800	184T	131538.00	√	1,748	C184K17FB15	98	230	None	23.0	1.00	17.46	S, MX, 53
5	1800	184T	LM24718	C/A	1,759	SSF4S5T1B6008	89	230	None	21.7	1.00	17.46	S, MX, 53
5	1800	184T	131856.00	√	1,805	P184K17FB25	85	208-230	Man.	21.0	1.00	15.96	S, MX, 53
7 1/2	3600	213T	140684.00	√	2,234	C213K34FB1	113	208-230	None	32.0	1.00	18.34	S, MX, 53
7 1/2	3600	213T	LM24719	√	2,408	DDF2S7.51B6008	110	208-230	None	32.0	1.00	18.73	S, MX, 53
7 1/2	1800	215T	140120.00	D	2,267	N215K17FB1	172	230	None	33.6	1.15	20.21	S, MX, 53
7 1/2	1800	215T	141428.00	√	2,267	N215K17FB80	172	230	None	30.5	1.15	21.09	S, MX, 53
7 1/2	1800	215T	LM24720	√	2,323	SS215F4S7.5T1B6008	170	208-230	None	30.0	1.00	21.09	S, MX, 53
10	3600	215T	140685.00	√	2,742	C215K34FB1	145	208-230	None	41.5	1.00	19.84	S, MX, 53
10	3600	215T	LM24721	√	2,954	SSF2S10T1B6008	152	208-230	None	41.5	1.00	20.23	S, MX, 53
10	1800	215T	140581.00	√	2,602	C215K17FB12	212	230	None	40.0	1.15	20.71	S, MX, 53
10	1800	215T	LM24722	√	3,016	SSF4S10T1B66	128	230	None	41.5	1.00	21.09	S, MX, 53
15	1800	256TZ	851150.00	√	3,610	C256K17FB1	308	208-230	None	58.0	1.00	28.65	S, MX

Green items are Premium Efficient.

C/A - Check Availability.

Note - 256TZ frame size has a shaft dimension 1 inch longer than NEMA®.

♥ Note listing on inside back flap.

Specifications are subject to change without notice.



Single Phase - C Face Motors

Totally Enclosed - Capacitor Start - General Purpose

Single Phase - Totally Enclosed - C Face Less Base

HP	SYN RPM 60 Hz	NEMA® Frame	Catalog Number	Stock	List Price	Model Number	App. Wgt. (lbs)	Voltage	Over-load Prot.	F. L. Amps @ 230 V	Service Factor	"C" Dim. (Inches)	♥Notes
1/6	1800	48CZ	102661.00	√	433	C4C17FC25	15	115/208-230	None	2.0	1.15	9.19	S, MX, 25
1/4	1800	48CZ	101765.00	√	493	C4C17FC10	17	115/208-230	None	2.7	1.15	9.19	S, MX, 25
1/4	1800	S56C	102868.00	√	491	C4C17NC26	20	115/208-230	None	2.3	1.15	9.80	S, MX, 25
1/4	1800	S56C	LM24733	√	469	SRN4S0.25TLCN1C6028	18	115/208-230	None	2.0	1.00	9.94	S, MX, 12
1/4	1800	S56C	102866.00	√	491	C4C17FC34	16	115/208-230	None	2.7	1.15	9.44	S, MX
1/3	3600	S56C	102870.00	√	420	C4C34FC13	20	115/208-230	None	2.8	1.15	9.44	S, MX
1/3	3600	S56C	102873.00	√	457	C4C34NC15	19	115/208-230	None	1.9	1.00	9.30	S, MX
1/3	3600	S56C	LM24734	√	467	SRN2S0.33TLCN1C6028	20	115/208-230	None	2.2	1.15	10.19	S, MX
1/3	1800	48CZ	102663.00	√	509	C4C17FC26	22	115/208-230	None	3.3	1.15	9.69	S, MX
1/3	1800	S56C	101766.00	√	532	C4C17FC9	16	115/208-230	None	3.3	1.15	9.94	S, MX, 25
1/3	1800	S56C	102867.00	√	528	C4C17NC25	21	115/208-230	None	2.6	1.15	10.30	S, MX
1/3	1800	S56C	LM24598	√	509	SRF4S0.33TLCN1C6028	18	115/208-230	None	3.0	1.15	10.44	S, MX, 12
1/3	1800	S56C	102869.00	√	555	M4C17NC27	21	115/208-230	Man.	2.6	1.15	10.30	S, MX
1/3	1200	56C	LM24735	C/A	779	SRF6S0.33TLCN1C6028	28	115/208-230	None	3.9	1.15	12.32	S, MX, 12
1/2	3600	S56C	102864.00	√	473	C4C34FC12	20	115/208-230	None	3.5	1.15	9.94	S, MX
1/2	3600	56C	LM24736	C/A	532	SRF2S0.5TLCN1C6028	23	115/208-230	None	4.2	1.15	11.82	S, MX
1/2	3600	S56C	102872.00	√	503	M4C34FC14	19	115/208-230	Man.	3.5	1.15	9.94	S, MX
1/2	1800	48CZ	102665.00	C/A	644	C4C17FC27	25	115/208-230	None	4.0	1.15	10.44	S, MX
1/2	1800	S56C	102862.00	√	609	C4C17FC32	21	115/208-230	None	4.0	1.15	10.69	S, MX, 25
1/2	1800	56C	LM24599	√	606	SRF4S0.5TLCN1C6028	23	115/208-230	None	4.0	1.15	11.19	S, MX
1/2	1800	S56C	102865.00	√	645	M4C17FC33	21	115/208-230	Man.	4.0	1.15	10.69	S, MX
1/2	1800	S56C	102871.00	√	635	A4C17FC35	25	115/208-230	Auto.	4.0	1.15	10.69	S, MX
1/2	1200	56C	110411.00	√	1,073	C6C11FC1	40	115/208-230	None	4.7	1.00	12.98	S, MX
3/4	3600	56C	110413.00	√	555	C6C34FC8	29	115/208-230	None	5.0	1.15	11.48	S, US
3/4	3600	56C	LM24738	C/A	555	SRF2S0.75TLCN1C5028	30	115/208-230	None	5.3	1.15	12.32	S, US
3/4	3600	56C	110412.00	√	577	M6C34FC7	31	115/208-230	Man.	5.0	1.15	11.49	S, MX
3/4	1800	56C	110057.00	√	724	C6C17FC6	28	115/208-230	None	5.4	1.15	11.48	S, US
3/4	1800	56C	LM24613	√	646	SRF4S0.75TLCN1C6028	30	115/208-230	None	5.5	1.15	12.32	S, US
3/4	1800	56C	110040.00	√	764	M6C17FC2	29	115/208-230	Man.	5.4	1.15	11.49	S, MX
3/4	1800	56C	110308.00	√	753	A6C17FC8	31	115/208-230	Auto.	5.4	1.15	11.46	S, US
3/4	1200	56C	110414.00	√	1,208	C6K11FC2	45	115/208-230	None	5.3	1.00	13.49	S, US
3/4	1200	56C	LM24739	C/A	878	SRF60.75TLCN1B6028	38	115/208-230	None	5.7	1.15	13.82	S, US, 53

Green items are Premium Efficient.

C/A - Check Availability.

Continued on next page.

♥ Note listing on inside back flap. Specifications are subject to change without notice.



Single Phase - C Face Motors

Totally Enclosed - Capacitor Start - General Purpose

Tech Information

Single Phase
ODP Motors

Single Phase
TEFC Motors

Three Phase
ODP Motors

Three Phase
TEFC Motors

Inverter Duty
Motors

Severe Duty
Motors

Explosion Proof
Motors

Automotive
Duty Motors

Single Phase - Totally Enclosed - C Face Less Base

HP	SYN RPM 60 Hz	NEMA® Frame	Catalog Number	Stock	List Price	Model Number	App. Wgt. (lbs)	Voltage	Over- load Prot.	F. L. Amps @ 230 V	Service Factor	"C" Dim. (Inches)	♥Notes
1	3600	56C	110416.00	√	650	C6C34FC10	30	115/208-230	None	6.0	1.15	11.98	S, US
1	3600	56C	LM24740	√	659	SRF2S1TLCN1C6028	31	115/208-230	None	6.2	1.15	12.32	S, MX
1	3600	56C	110415.00	√	714	M6C34FC9	31	115/208-230	Man.	6.0	1.15	11.99	S, US
1	1800	56C	110058.00	√	833	C6C17FC7	36	115/208-230	None	6.4	1.15	11.98	S, US
1	1800	56C	LM24614	√	689	SRF4S1TLCN1C6028	31	115/208-230	None	6.7	1.15	12.82	S, MX
1	1800	56C	110041.00	√	870	M6C17FC3	32	115/208-230	Man.	6.4	1.15	11.98	S, US
1	1800	143TC	121001.00	√	946	C143C17FC2	35	115/208-230	None	6.4	1.15	12.42	S, US
1 1/2	3600	56C	110419.00	√	836	C6C34FC12	34	115/208-230	None	8.5	1.00	12.48	S, US
1 1/2	3600	56C	LM24535	C/A	722	SRF2S1.5TLCN1B6028	33	115/208-230	None	7.1	1.15	12.82	S, MX, 53
1 1/2	3600	56C	110418.00	√	876	M6C34FC11	34	115/208-230	Man.	8.5	1.00	12.49	S, US
1 1/2	3600	143TC	120101.00	√	946	C143C34FC1	39	115/208-230	None	8.5	1.00	12.92	S, US
1 1/2	1800	56C	110420.00	√	939	C6K17FC2	39	115/208-230	None	8.6	1.00	12.99	S, US, 53
1 1/2	1800	56C	LM24622	√	731	SRF4S1.5TLCN1B6028	40	115/208-230	None	7.6	1.15	13.82	S, MX, 53
1 1/2	1800	56C	110042.00	√	980	M6K17FC1	43	115/208-230	Man.	8.6	1.00	12.99	S, US
1 1/2	1800	145TC	120017.00	√	1,070	C145K17FC3	43	115/208-230	None	8.6	1.00	13.43	S, US, 53
2	3600	56C	110422.00	√	1,063	C6C34FC14	43	115/208-230	None	10.0	1.00	13.48	S, US
2	3600	56C	LM24530	√	823	SRF2S2TLCNB6038	39	115/208-230	None	9.0	1.15	13.32	S, MX, 53
2	3600	56C	110421.00	√	1,101	P6C34FC13	44	115/208-230	Man.	10.0	1.00	13.49	S, US
2	3600	145TC	120102.00	√	1,102	C145C34FC2	46	115/208-230	None	10.0	1.00	13.92	S, US
2	1800	56C	112136.00	√	1,258	C6K17FC9	44	115/208-230	None	9.2	1.00	13.49	S, US, 53
2	1800	145TC	120060.00	√	1,287	P145K17FC2	45	115/230	Man.	9.2	1.00	14.43	S, US, 53
2	1800	182TC	131516.00	C/A	1,675	C182C17FC3	67	115/208-230	None	12.4	1.00	14.44	S, MX
3	3600	145TC	120824.00	√	1,235	P145K34FC6	56	230	Man.	13.0	1.00	14.43	S, US, 53
3	1800	184TC	131545.00	√	1,975	C184C17FC4	85	115/208-230	None	16.8	1.00	16.47	S, MX
5	3600	184TC	131778.00	√	1,981	C184K34FC2	84	230	None	19.8	1.15	16.97	S, MX, 53
5	1800	184TC	131540.00	√	2,056	C184K17FC6	107	230	None	23.0	1.00	17.47	S, MX, 53

C/A - Check Availability.

♥ Note listing on inside back flap.
Specifications are subject to change without notice.



Single Phase C Face Motors

Totally Enclosed - Capacitor Start - General Purpose



Single Phase - Totally Enclosed - C Face With Base

HP	SYN RPM 60 Hz	NEMA® Frame	Catalog Number	Stock	List Price	Model Number	App. Wgt. (lbs)	Voltage	Over- load Prot.	F. L. Amps @ 230 V	Service Factor	"C" Dim. (Inches)	♥Notes
1/4	1800	S56C	102916.00	✓	501	C4C17FK4	18	115/208-230	None	2.7	1.15	9.69	S, MX
1/4	1800	S56C	LM24723	✓	573	SRF4S0.25TLC6028	18	115/208-230	None	2.0	1.15	10.19	S, MX
1/3	3600	S56C	102929.00	✓	498	C4C34FK16	17	115/208-230	None	2.8	1.15	9.69	S, MX
1/3	1800	S56C	102930.00	✓	533	C4C17FK6	21	115/208-230	None	3.1	1.15	10.44	S, MX
1/3	1800	S56C	LM24600	✓	556	SRF4S0.33TLC1C6028	19	115/208-230	None	3.0	1.15	10.44	S, MX
1/3	1800	S56C	103082.00	✓	533	M4C17FK7	24	115/208-230	Man.	3.1	1.15	10.44	S, MX
1/3	1800	S56C	102910.00	✓	533	C4C17NK2	23	115/208-230	None	2.6	1.15	10.31	S, MX
1/2	3600	S56C	102903.00	✓	499	C4C34FK17	21	115/208-230	None	3.5	1.15	9.94	S, MX
1/2	3600	56C	LM24725	✓	528	SRF2S0.5TLC1C6028	23	115/208-230	None	4.2	1.15	11.82	S, MX
1/2	1800	S56C	102907.00	✓	641	C4C17FK5	25	115/208-230	None	4.0	1.15	10.69	S, MX
1/2	1800	S56C	LM24628	✓	676	SRF4S0.5TLC6028	24	115/208-230	None	4.0	1.15	11.19	S, MX
1/2	1800	S56C	103085.00	✓	641	M4C17FK8	22	115/208-230	Man.	4.0	1.15	10.69	S, MX
3/4	3600	56C	112135.00	✓	570	C6C34FK36	29	115/208-230	None	5.0	1.15	11.48	S, US
3/4	3600	56C	LM24726	✓	643	SRF2S0.75TLC1C6028	30	115/208-230	None	5.3	1.15	12.32	S, MX
3/4	1800	56C	110905.00	✓	772	C6C17FK4	29	115/208-230	None	5.4	1.15	11.48	S, US
3/4	1800	56C	LM24615	C/A	880	SRF2S0.75TLC1C6028	30	115/208-230	None	5.5	1.15	12.32	S, MX
3/4	1800	56C	116922.00	✓	772	M6C17FK86	26	115/208-230	Man.	5.4	1.15	11.48	S, US
1	3600	56C	110180.00	✓	654	C6C34FK1	31	115/208-230	None	6.0	1.15	11.98	S, US
1	3600	56C	LM24727	✓	683	SRF2S1TLC1C6028	31	115/208-230	None	6.2	1.15	12.32	S, MX
1	3600	56C	115877.00	✓	654	M6C34FK78	30	115/208-230	Man.	6.0	1.15	11.98	S, US
1	1800	56C	110908.00	✓	874	C6C17FK5	33	115/208-230	None	6.4	1.15	11.98	S, US
1	1800	56C	LM24616	✓	992	SRF4S1TLC6028	33	115/208-230	None	6.7	1.15	12.82	S, MX
1	1800	56C	115879.00	✓	874	M6C17FK80	32	115/208-230	Man.	6.4	1.15	11.98	S, US
1	1800	143TC	121680.00	✓	874	C143C17FK1	32	115/208-230	None	6.4	1.15	13.43	S, US
1 1/2	3600	56C	110909.00	✓	849	C6C34FK19	37	115/208-230	None	8.5	1.00	12.48	S, US
1 1/2	3600	56HC	LM24539	✓	889	SRF2S1.5TLC1B6028	33	115/208-230	None	7.1	1.15	12.82	S, MX
1 1/2	3600	56C	115024.00	✓	892	M6K34FK16	38	115/208-230	Man.	6.2	1.15	12.49	S, US
1 1/2	1800	56HC	110910.00	✓	1,039	C6K17FK2	42	115/208-230	None	8.6	1.00	12.98	S, US
1 1/2	1800	56HC	LM24728	✓	1,081	SRF2S1.5TLC1B6028	40	115/208-230	None	7.6	1.15	13.82	S, MX
1 1/2	1800	56HC	116703.00	✓	1,044	M6K17FK50	39	115/208-230	Man.	8.6	1.15	13.37	S, US
1 1/2	1800	145TC	121681.00	✓	1,039	C145K17FK13	40	115/208-230	None	8.6	1.00	13.43	S, US

C/A - Check Availability.

Continued on next page.

♥ Note listing on inside back flap.
Specifications are subject to change without notice.

Single Phase C Face Motors

Totally Enclosed - Capacitor Start - General Purpose

Tech Information

Single Phase
ODP Motors

Single Phase
TEFC Motors

Three Phase
ODP Motors

Three Phase
TEFC Motors

Inverter Duty
Motors

Severe Duty
Motors

Explosion Proof
Motors

Automotive
Duty Motors

Single Phase - Totally Enclosed - C Face With Base

HP	SYN RPM 60 Hz	NEMA® Frame	Catalog Number	Stock	List Price	Model Number	App. Wgt. (lbs)	Voltage	Over- load Prot.	F. L. Amps @ 230 V	Service Factor	"C" Dim. (Inches)	♥Notes
2	3600	56HC	113931.00	√	1,113	C6C34FK52	45	115/208-230	None	10.0	1.00	13.48	S, US
2	3600	56HC	LM24729	√	1,164	SRF2S2TLC1B6028	39	115/208-230	None	9.0	1.15	13.32	S, MX, 53
2	3600	56HC	114995.00	√	1,060	P6K34FK15	45	115/230	Man.	8.5	1.15	12.84	S, US, 53
2	3600	56HC	115878.00	C/A	1,113	P6C34FK79	46	115/208-230	Man.	10.0	1.00	13.49	S, US
2	3600	145TC	121008.00	√	1,113	C145C34FK2	46	115/208-230	None	10.0	1.00	13.93	S, US
2	1800	145TC	120274.00	√	1,401	C145K17FK2	46	115/208-230	None	9.2	1.00	14.43	S, US, 53
2	1800	145TC	LM24731	C/A	1,467	SSF4S2TLC1B6028	52	115/230	None	9.5	1.15	14.87	S, MX, 53
2	1800	145TC	121465.00	√	1,401	P145K17FK10	46	115/208-230	Man.	9.2	1.00	13.93	S, US, 53
3	3600	145TC	121825.00	√	1,174	C145K34FK9	47	230	None	13.0	1.00	14.43	S, US, 53
3	3600	56HC	115048.00	√	1,160	P6K34FK17	49	208-230	Man.	13.0	1.00	13.98	S, US, 53
3	3600	145TC	121060.00	√	1,246	P145K34FK4	54	230	Man.	13.0	1.00	14.43	S, US, 53
3	1800	184TC	131631.00	√	1,979	P184C17FK9	87	115/208-230	Man.	16.8	1.00	16.47	S, MX
3	1800	184TC	131857.00	√	1,979	P184K17FK14	107	230	Man.	12.8	1.15	14.97	S, MX, 53
5	3600	184TC	131632.00	√	1,989	P184K34FK2	106	230	Man.	19.8	1.15	16.97	S, MX, 53
5	1800	184TC	131633.00	√	2,071	P184K17FK11	107	230	Man.	23.0	1.00	17.47	S, MX, 53
7 1/2	3600	213TC	140694.00	√	2,335	C213K34FK1	150	208-230	None	32.0	1.00	19.07	S, MX, 53
7 1/2	1800	215TC	140807.00	D	2,384	C215K17FK6	171	230	None	33.6	1.15	20.21	S, MX, 53
7 1/2	1800	215TC	141429.00	√	2,384	C215K17FK18	171	230	None	30.5	1.15	21.09	S, MX, 53
10	3600	215TC	140695.00	√	2,784	C215K34FK1	152	208-230	None	41.5	1.00	20.57	S, MX, 53
10	1800	215TC	140678.00	√	2,698	C215K17FK4	159	230	None	40.0	1.15	20.71	S, MX, 53

C/A - Check Availability

♥ Note listing on inside back flap
Specifications are subject to change without notice



Single Phase TEFC Motors

WATSAVER® Premium Efficiency Motors

Features:

- High starting torque
- Capacitor start / capacitor run designs for higher efficiency
- Reduced running amps
- Energy saving designs



Single Phase - TEFC - Rigid Base

HP	SYN RPM 60 Hz	NEMA® Frame	Catalog Number	Stock	List Price	Model Number	App. Wgt. (lbs)	Voltage	Over- load Prot.	F. L. Amps @ 230 V	Service Factor	% F.L.Eff.	"C" Dim. (Inches)	♥Notes
1/3	1800	56	113765.00	√	661	M6K17FB33	26	115/208-230	Man.	1.7	1.15	76	10.99	S, US
1/2	1800	56	113766.00	√	734	M6K17FB34	33	115/208-230	Man.	2.5	1.15	78	11.49	S, US
3/4	1800	56	113767.00	√	866	M6K17FB35	38	115/208-230	Man.	3.2	1.15	82	11.99	S, US
1	1800	56	113768.00	√	992	M6K17FB36	36	115/208-230	Man.	4.2	1.15	83	12.49	S, US
1	1800	56H	113769.00	√	1,128	M6K17FB37	46	115/208-230	Man.	6.5	1.15	84	13.49	S, US
2	1800	56HZ	113770.00	√	1,552	M6K17FB38	52	230	Man.	8.2	1.15	85	14.43	S, US

Green items are Premium Efficient.

♥ Note listing on inside back flap.
Specifications are subject to change without notice.

Single Phase - TENV - General Purpose



Single Phase - TENV - Rigid Base

HP	SYN RPM 60 Hz	NEMA Frame	Catalog Number	Stock	List Price	Model Number	App. Wgt. (lbs)	Voltage	Over- load Prot.	F. L. Amps @ 230 V	Service Factor	"C" Dim. (Inches)	♥Notes
1/6	3600	42	092011.00	C/A	457	C42C34NB1	16	115/208-230	None	1.3	1.00	9.56	S, US
1/6	1800	42	092012.00	C/A	445	C42C17NB1	21	115/208-230	None	1.8	1.00	10.31	S, US
1/4	3600	42	092013.00	C/A	451	C42C34NB2	21	115/208-230	None	1.7	1.00	10.56	S, US
1/4	1800	48	100361.00	√	433	C4C17NB4	17	115/208-230	None	2.3	1.15	9.43	S, MX
1/4	1800	S56	102914.00	√	437	C4C17NH9	24	115/208-230	None	2.3	1.15	9.81	S, MX
1/4	1800	S56	102915.00	√	536	A4C17NH10	23	115/208-230	Auto.	2.3	1.15	9.81	S, MX
1/3	3600	48	100362.00	√	415	C4C34NB2	24	115/208-230	None	2.0	1.00	9.93	S, MX
1/3	1800	S56	102912.00	√	479	C4C17NH7	25	115/208-230	None	2.6	1.15	10.31	S, MX
1/3	1800	S56	102913.00	C/A	548	M4C17NH8	25	115/208-230	Man.	2.6	1.15	10.31	S, MX
1/3	1800	S56	102911.00	√	543	A4C17NH6	24	115/208-230	Auto.	2.6	1.15	10.31	S, MX
1/2	3600	48	100366.00	√	477	C4C34NB3	27	115/208-230	None	2.9	1.00	10.43	S, MX

C/A - Check availability.

♥ Note listing on inside back flap.
Specifications are subject to change without notice.



Single Phase TEFC Motors Pump Motors & Resilient Base Motors

Tech Information

Single Phase
ODP Motors

Single Phase
TEFC Motors

Three Phase
ODP Motors

Three Phase
TEFC Motors

Inverter Duty
Motors

Severe Duty
Motors

Explosion Proof
Motors

Automotive
Duty Motors



General Specifications:

Motors specially suited for hot or cold pressure washer applications and other single phase installations requiring minimum starting and running amperages.

Mechanical Features:

- Double shielded ball bearings
- Dynamically balanced rotors

Electrical Features:

- Windings dipped in heavy duty varnish system
- Capacitor start / capacitor run designs to reduce amp draw
- Manual reset overload protection

Single Phase - TEFC - Rigid Base

HP	SYN RPM 60 Hz	NEMA® Frame	Catalog Number	Stock	List Price	Model Number	App. Wgt. (lbs)	Voltage	Over-load Prot.	F. L. Amps @ 230 V	Service Factor	"C" Dim. (Inches)	♥Notes
3/4	3600	56	110108.00	√	562	M6C34FB7	29	115/208-230	Man.	5.0	1.15	11.48	S, US
3/4	1800	56	110022.00	√	762	M6C17FB7	32	115/208-230	Man.	5.4	1.15	11.48	S, US
1	3600	56	110142.00	√	686	M6C34FB2	31	115/208-230	Man.	6.0	1.15	11.98	S, US
1	1800	56	110023.00	√	862	M6C17FB8	32	115/208-230	Man.	6.4	1.15	11.98	S, US
1	1800	143T	120008.00	√	936	M143C17FB2	34	115/208-230	Man.	6.4	1.15	12.93	S, US
1 1/2	3600	56	110109.00	√	945	M6C34FB8	34	115/208-230	Man.	8.5	1.00	12.48	S, US
1 1/2	1800	56H	113333.00	√	976	M6K17FB32	41	115/208-230	Man.	8.6	1.00	12.99	S, US, 6, 53
1 1/2	1800	145T	120009.00	√	976	M145K17FB2	45	115/208-230	Man.	8.6	1.00	12.93	S, US, 53
2	3600	56H	110402.00	√	1,101	P6C34FB23	44	115/208-230	Man.	10.0	1.00	13.48	S, US, 6, 53
2	3600	145T	120395.00	√	1,114	P145C34FB5	47	115/208-230	Man.	10.0	1.00	13.93	S, US
2	1800	145T	120867.00	√	1,401	P145K17FB22	45	115/208-230	Man.	9.2	1.00	13.93	S, US, 53
3	3600	56H	116705.00	√	1,148	P6K34FB31	53	230	Man.	13.0	1.00	13.99	S, US, 6, 53
3	1800	184T	131855.00	√	1,552	P184K17FB26	88	208-230	Man.	13.6	1.15	14.96	S, MX, 53
5	3600	184T	132042.00	√	1,940	P184K34FB9	103	230	Man.	19.8	1.15	16.96	S, MX, 53
5	1800	184T	131856.00	√	1,805	P184K17FB25	85	208-230	Man.	21.0	1.00	15.96	S, MX, 53

♥ Note listing on inside back flap. Specifications are subject to change without notice.

Resilient Base Motors - Single Phase - General Purpose or Fan Duty

General Specifications:

- Industrial quality resilient base
- Moderate starting torque
- Belt driven fans or fan on shaft applications
- Capacitor start designs



Single Phase - TEFC - Resilient Base

HP	SYN RPM 60 Hz	NEMA Frame	Catalog Number	Stock	List Price	Model Number	App. Wgt. (lbs)	Voltage	Over-load Prot.	F. L. Amps @ 230 V	Service Factor	"C" Dim. (Inches)	♥Notes
1/2	1725	56	110025.00	√	666	A6C17FR1	26	115/208-230	Auto.	4.4	1.15	11.96	S, US
3/4	1725	56	110026.00	√	798	A6C17FR2	28	115/208-230	Auto.	5.4	1.15	12.46	S, US, 6
1	1725	56H	111915.00	√	908	A6C17FR10	31	115/208-230	Auto.	6.4	1.15	12.96	S, US, 6

♥ Note listing on inside back flap. Specifications are subject to change without notice.



Single Phase - C Face Motors

Pressure Washer Pump Motors

Application:

Motors specially suited for hot or cold pressure washer applications and other single phase installations requiring minimum starting and running amperages.

Mechanical Features:

- Double shielded ball bearings
- Dynamically balanced rotors

Electrical Features:

- Windings dipped in heavy duty varnish system
- Capacitor start / capacitor run designs to reduce amp draw
- Manual reset overload protection



Single Phase - TEFC - C Face With Base

HP	SYN RPM 60 Hz	NEMA® Frame	Catalog Number	Stock	List Price	Model Number	App. Wgt. (lbs)	Voltage	Over- load Prot.	F. L. Amps @ 230 V	Service Factor	"C" Dim. (Inches)	♥Notes
1/3	1800	56C	116485.00	C/A	846	M6C17FK81	29	115/208-230	Man.	3.2	1.15	10.99	S, US, 57
1/2	1800	56C	116486.00	√	895	M6C17FK80	23	115/208-230	Man.	4.4	1.15	10.99	S, US, 57
3/4	1800	56C	116487.00	√	1,040	M6C17FK79	30	115/208-230	Man.	5.4	1.15	11.49	S, US, 57
1	3600	56C	115877.00	√	654	M6C34FK78	28	115/208-230	Man.	6.0	1.15	11.98	S, US
1	1800	56C	115879.00	√	874	M6C17FK80	32	115/208-230	Man.	6.4	1.15	11.98	S, US
1 1/2	3600	56C	115024.00	√	892	M6K34FK16	35	115/208-230	Man.	6.2	1.15	12.49	S, US, 53
1 1/2	1800	56HC	116703.00	√	1,044	M6K17FK50	39	115/208-230	Man.	8.6	1.15	13.37	S, US, 53
2	3600	56HC	114995.00	√	1,060	P6K34FK15	42	115/230	Man.	8.5	1.15	12.84	S, US, 53
2	1800	145TC	121465.00	√	1,401	P145K17FK10	44	115/208-230	Man.	9.2	1.00	13.93	S, US, 53
3	3600	56HC	115048.00	√	1,160	P6K34FK17	53	208-230	Man.	13.0	1.00	13.98	S, US, 53
3	1800	184TC	131857.00	√	1,979	P14K17FK14	104	230	Man.	12.8	1.15	14.97	S, MX, 53
5	3600	184TC	131632.00	√	1,989	P184K34FK2	106	230	Man.	19.8	1.15	16.97	S, MX, 53
5	1800	184TC	131633.00	√	2,071	P184K17FK11	107	230	Man.	23.0	1.00	17.47	S, MX, 53

C/A - Check Availability.

♥ Note listing on inside back flap.
Specifications are subject to change without notice.

Single Phase C Face Motors

Unit Handling Motors

Tech Information

Single Phase
ODP Motors

Single Phase
TEFC Motors

Three Phase
ODP Motors

Three Phase
TEFC Motors

Inverter Duty
Motors

Severe Duty
Motors

Explosion Proof
Motors

Automotive
Duty Motors

Applications:

Unit and baggage handling, conveyors, packaging equipment, machine tools, elevators and door openers where a conduit box at 12:00 position is needed due to mounting size restrictions



Features:

- Low profile conduit box at the 12:00 position
- Base includes both 56H and 143-5T mounting holes and slots

Single Phase - TEFC - C Face With Base

HP	SYN RPM 60 Hz	Frame	Catalog Number	Stock	List Price	Model Number	App. Wgt. (lbs)	Voltage	F. L. Amps @ 230 V	Service Factor	"C" Dim. (Inches)	♥ Notes
1/2	1800	56C	117701.00	√	641	C6C17FK92	25	115/208-230	4.4	1.15	12.48	S, US
3/4	1800	56C	117702.00	√	696	C6C17FK94	29	115/208-230	5.4	1.15	12.48	S, US
1	1800	56C	117703.00	√	755	C6C17FK93	32	115/208-230	6.4	1.15	12.48	S, US

♥ Note listing on inside back flap.
Specifications are subject to change without notice.

Single Phase - TEFC - C Face Less Base

HP	SYN RPM 60 Hz	Frame	Catalog Number	Stock	List Price	Model Number	App. Wgt. (lbs)	Voltage	F. L. Amps @ 230 V	Service Factor	"C" Dim. (Inches)	♥ Notes
1/2	1800	56C	117704.00	√	614	C6C17FC175	21	115/208-230	4.4	1.15	10.98	S, US
3/4	1800	56C	117705.00	√	671	C6C17FC176	27	115/208-230	5.4	1.15	11.48	S, US
1	1800	56C	117706.00	√	722	C6C17FC177	30	115/208-230	6.4	1.15	11.98	S, US

♥ Note listing on inside back flap.
Specifications are subject to change without notice.



Three Phase - Cast Iron Globetrotter® - General Purpose Motors



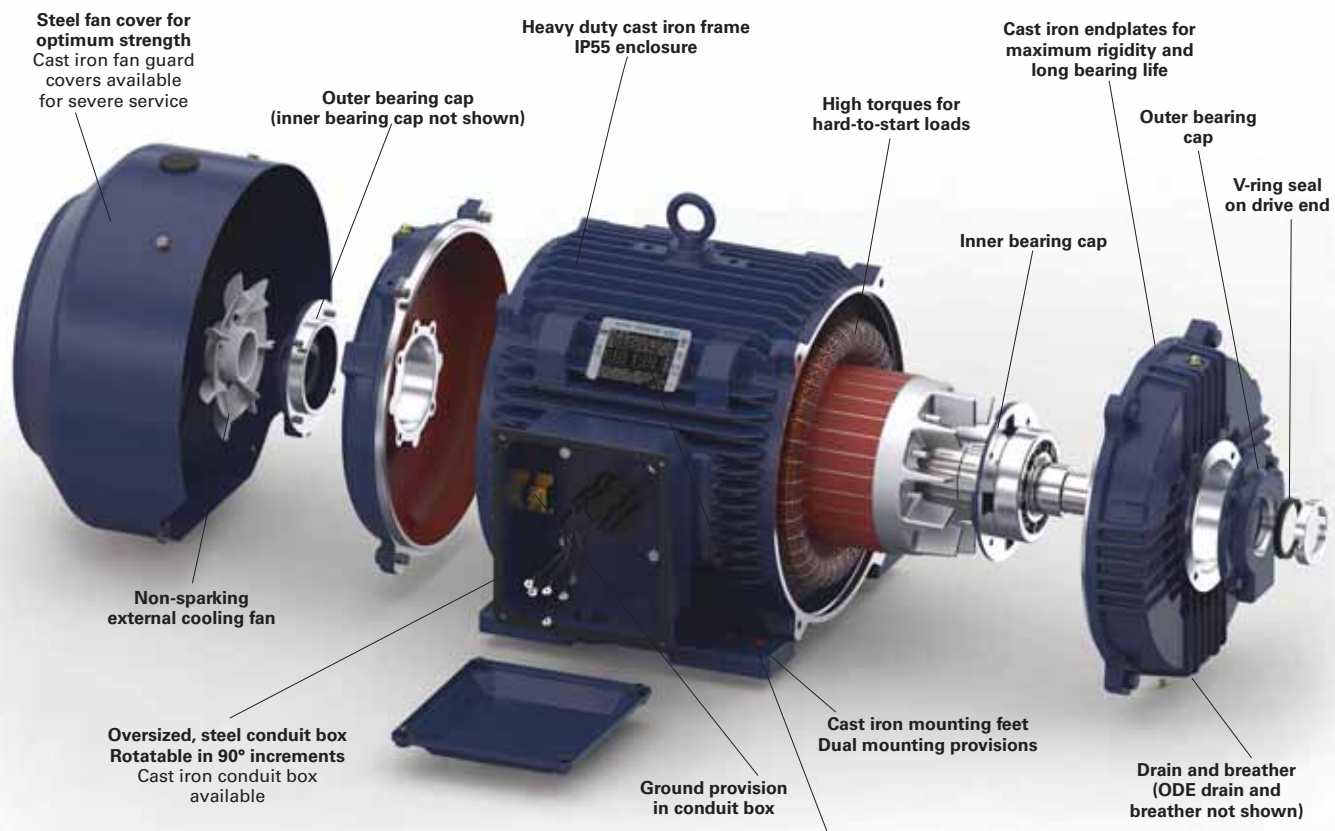
Regal has launched new and improved design for the Globetrotter series of motors.
 For reliable performance in heavy-duty industrial applications, nothing beats the LEESON® heavyweight motors. With their cast iron construction and 1.15 service factor, they are ideal for “tough to handle” applications.

The redesigned, totally enclosed cast iron Globetrotter motors now include:

- IP55 protection
- Division 2/ Zone 2, Class I (gases), Groups A, B, C, D
- Dual frame mounting holes
- F1 to F2 mounting capability
- Dual branded nameplate displaying both the LEESON and Marathon® logos

By combining these two great brands, customers now benefit by:

- Additional motor features
- Enhanced quality from a dependable product
- Ability to stock interchangeable parts and modifications



Dual branded nameplate displaying both the LEESON and Marathon® logos



Exxon and Polyrex are believed to be the trademark of National Electrical Manufacturers Corporation, and are not owned or controlled by Regal Beloit Corporation.
 NEMA and NEMA Premium are believed to be the trademark of National Electrical Manufacturers Corporation, and are not owned or controlled by Regal Beloit Corporation.





Three Phase WATTSaver® Premium Efficiency Motors General Purpose Motors

The WATTSaver® e line of premium efficiency motors is Regal's unique IRIS® inverter rated insulation system which is voltage spike resistant, included at no extra cost. These motors meet or exceed most utility rebate programs and the EPA's federally mandated efficiency levels. The efficiency ratings have been verified to IEEE 112B test standards by Regal's NVLAP-Certified lab.

Cast iron 170 series motors can be field modified for forced ventilation service to extend the inverter-fed operating range and an encoder package is stocked for closed-loop vector inverter systems. These motors can be converted to IEEE841 compliant using the Custom PDQ Program. Contact your local sales representative.

Rugged cast iron construction on three phase, 1-350 HP models. These motors share features with normal efficiency 150 Series motors detailed on page 38. Add an optional cast iron fan guard for severe duty applications.

Efficiencies meet or exceed NEMA® Premium on all WATTSaver e motors.

Both 3/4 and full load efficiencies are listed on the stainless steel nameplate for your convenience in calculating realistic energy savings. Unique serial number identifies each motor and is stamped clearly on the metal nameplate.

Independently verified efficiencies by the Canadian Standards Association, an internationally recognized testing laboratory. CSA report number EEV78720-1.

Three phase models suitable for inverter duty, as well as both 50 Hz and 60 Hz operation.

Premium efficiency motors finished with primer and chemical resistant green acrylic matte enamel. IP43 enclosure protection.

Meets or exceeds the 1997 mandated efficiency standards of the Energy Policy Act of 1992. Also meets or exceeds efficiency requirements of most electric utility rebate programs.

Modification to meet IEEE 841 available through Custom PDQ. Includes addition of watertight Inpro shaft seals, two-part epoxy finish, and plated hardware.

One-way, corrosion resistant condensate drains. (TEFC models) release condensation and moisture.

Second-generation, high temperature, spike-resistant magnet wire for extended motor life. Stator impregnated with extra-heavy varnish system. 1.15 Service Factor. All WATTSaver e motors have Class F insulation with a Class B rise. Motors rated at 40 degrees C ambient.



UL and CSA Recognition

IRIS® Inverter Rated Insulation System from Regal provides superior protection against voltage spikes induced by variable frequency drives. This protects better than spike-resistant magnet wire alone. Specially formed phase insulation, cushioned and sleeved connections (from the leads all the way into the turns), and deep-penetrating, non-hygroscopic, high

temperature varnish are just a few features contributing to extra protection. All this plus second generation spike-resistant magnet wire. In all Leeson stock NEMA three-phase motors, 1 HP and larger, the Inverter Rated Insulation System is standard at no extra cost the LEESON Ultimate E®, "199" series motors have our standard insulation system.



Tech Information

Single Phase ODP Motors

Single Phase TEFC Motors

Three Phase ODP Motors

Three Phase TEFC Motors

Inverter Duty Motors

Severe Duty Motors

Explosion Proof Motors

Automotive Duty Motors



Three Phase ODP Motors

General Purpose – Drip-Proof

208-230/460V & 460V Rigid Mount – 1/4 HP – 500 HP

C Face motors – 1/4 HP – 200 HP

Ultimate e[®] /
Globetrotter[®] Motors
see pages 44-49



- Standard, EPart and premium efficient ratings
- Inverter duty rated
- Nameplated for 50 Hz operation
- Class B insulation systems, Class F 140 frame and higher
- Shielded ball bearings for direct coupled applications
contact your local sales office for belted load applications
- Rolled steel and cast iron designs
- UL recognized and CSA certified
- WATTSaver[®] e Premium efficient motors
- Ultimate e[®] / Globetrotter[®] Motors Premium efficient motors



Applications:

For use where water and dust exposure is minimal. Ideally suited for use on pumps, compressors, blowers, fans and other standard industrial applications.

Cast Iron WATTSaver [®] e Motors	LEESON Ultimate e /Globetrotter Motors
Standard Features	
3 HP - 250 HP	1.5 HP - 200 HP
N/C Thermostats	N/A
IRIS Inverter Insulation System	Standard Insulation System
10:1 Constant Torque Operation	10:1 Constant Torque Operation
Ring Terminals on Leads	N/A
TEFC Enclosure	TEFC Enclosure
ODP Enclosure	ODP Enclosure
Chemical Resistant Paint	Enamel Paint
Cast Iron Conduit Box	Stamped Steel Conduit Box
Options	
C-Face Kits	C-Face Kits
D-Flange Kits	N/A
Encoder Mounting Provisions	N/A
Blower Kit Option	N/A
F-2 Mounting by re-assembly	F-2 Mounting by re-assembly
213-5T and 254-6T Frame Brake Kits	N/A
Cast Iron Fan Guards	N/A





Three Phase ODP Motors

Drip- Proof - General Purpose

Tech Information

Single Phase ODP Motors

Single Phase TEFC Motors

Three Phase ODP Motors

Three Phase TEFC Motors

Inverter Duty Motors

Severe Duty Motors

Explosion Proof Motors

Automotive Duty Motors

Three Phase - Drip-Proof - Rigid Base

HP	SYN RPM 60 Hz	NEMA® Frame	Catalog Number	Stock	List Price	Model Number	App. Wgt. (lbs)	Voltage	F. L. Amps @ 230 V.	% FL. Eff.	Service Factor	"C" Dim. (Inches)	♥Notes
1/4	1800	S56	E100027.00	√	491	C4T17DH45	20	230/460	1.0	69.5	1.35	10.74	S, MX
1/4	1800	48	LM34048	√	508	SPD4B0.25T61	19	230/460	1.0	69.5	1.35	10.34	S, MX
1/3	3600	48	E101447.00	√	503	C4T34DB7	40	230/460	1.4	69.5	1.35	10.51	S, US
1/3	1800	48	E100446.00	√	528	C4T17DB17	22	230/460	1.2	73.4	1.35	11.12	S, MX
1/3	1800	S56	E103017.00	√	535	C4T17DH39	22	230/460	1.2	73.4	1.25	11.49	S, MX, T
1/3	1800	S56	LM34049	√	546	SRD4B0.33T61	23	230/460	1.2	73.4	1.35	11.22	S, MX
1/3	1200	56	E110425.00	√	836	C6T11DH2	23	230/460	1.6	71.4	1.15	10.37	S, US, T
1/2	3600	S56	E101448.00	√	541	C4T34DH7	30	230/460	1.8	73.4	1.25	10.89	S, US
1/2	1800	56	LM34050	√	578	SRD4B0.5T61	30	230/460	1.7	78.2	1.25	11.32	S, MX
1/2	1800	56	E119351.00	√	574	C6T17DB113	23	208-230/460	1.8	78.2	1.25	9.87	S, US, T
1/2	1200	56	E110027.00	√	881	C6T11DB22	21	230/460	2.2	75.3	1.15	10.87	S, US, T
3/4	3600	S56	E101449.00	√	552	C4T34DH8	20	230/460	2.4	76.8	1.25	9.74	S, US, T
3/4	1800	S56	LM34051	√	592	SRD4B0.75T61	30	230/460	2.6	81.1	1.25	11.32	S, MX
3/4	1800	56	E116738.00	√	581	C6T17DB95	27	208-230/460	2.5	81.5	1.25	10.87	S, US, T
3/4	1200	56	E110028.00	√	923	C6T11DB23	36	230/460	2.8	81.7	1.15	11.87	S, US, T
1	3600	56	116128.00	D	710	C6T34DB30	27	230/460	2.8	80.0	1.25	10.18	S, US, T
1	3600	56	E110426.00	√	562	C6T34DB1	21	230/460	3.2	77.0	1.25	9.87	S, US, T
1	1800	56	LM34052	√	690	SRD4B1T61	30	230/460	3.0	83.5	1.15	11.72	S, MX
1	1800	56HZ	115827.00	√	549	C6T17DB77	27	208-230/460	4.2	78.5	1.15	11.19	S, US, 5
1	1800	56HZ	E115827.00	√	711	C6T17DB117	37	230/460	3.2	83.5	1.15	12.19	S, US, 5, T
1	1800	56	E116752.00	√	797	C6T17DB92	35	230/460	3.2	83.5	1.25	12.12	S, US, T
1	1800	143T	121003.00	√	797	C143T17DB10	40	208-230/460	3.2	85.5	1.25	12.19	S, US, T
1	1800	143T	LM24871	√	659	SSD4B1T61	35	230/460	3.0	85.5	1.25	11.99	S, MX
1	1200	145T	121517.00	√	929	C145T11DB7	44	230/460	3.8	82.5	1.25	12.69	S, US, T
1 1/2	3600	56	E116753.00	√	790	C6T34DB31	35	230/460	4.0	84.0	1.25	11.87	S, US, T
1 1/2	3600	143T	121514.00	√	790	C143T34DB4	39	230/460	4.4	84.0	1.25	12.19	S, US, T
1 1/2	1800	56H	LM34053	√	844	SRD4B1.5T61	45	230/460	4.6	86.5	1.15	14.07	S, MX, 6
1 1/2	1800	56HZ	115825.00	√	572	C6T17DB79	32	230/460	5.6	78.5	1.15	11.13	S, US, 5
1 1/2	1800	56HZ	E115825.00	√	832	C6T17DB114	42	230/460	4.8	86.5	1.15	13.19	S, US, 5, T
1 1/2	1800	56	E116754.00	√	832	C6T17DB91	40	230/460	4.8	86.5	1.25	12.87	S, US, T
1 1/2	1800	145T	121004.00	√	832	C145T17DB32	44	208-230/460	4.6	86.5	1.25	12.69	S, US, T
1 1/2	1800	145T	LM24875	√	688	SSD4B1.5T61	45	230/460	4.4	86.5	1.25	12.99	S, MX
1 1/2	1200	182T	131971.00	√	1,094	C182T11DB9	70	230/460	6.2	86.5	1.15	13.19	S, MX, T

Green items are Premium Efficient.

"E" prefix items comply with SMR 2015.

D - Item to be discontinued once inventory is depleted.
Note T - N/C T-stats

Continued on next page.

♥ Note listing on inside back flap.
Specifications are subject to change without notice.



Three Phase ODP Motors

Drip- Proof - General Purpose

Three Phase - Drip-Proof - Rigid Base

HP	SYN RPM 60 Hz	NEMA® Frame	Catalog Number	Stock	List Price	Model Number	App. Wgt. (lbs)	Voltage	F. L. Amps @ 230 V.	% F.L. Eff.	Service Factor	"C" Dim. (Inches)	Notes
2	3600	56	E116755.00	√	931	C6T34DB32	41	230/460	4.8	85.5	1.25	12.87	S, US, T
2	3600	145T	121515.00	√	931	C145T34DB15	45	230/460	4.8	85.5	1.25	12.69	S, US, T
2	1800	56H	LM34054	C/A	1,043	SRD4B2T61	46	230/460	6.0	86.5	1.15	13.44	S, MX, 47
2	1800	56HZ	115826.00	√	630	C6T17DB78	36	230/460	6.2	78.5	1.15	11.63	S, US, 5
2	1800	56HZ	E115826.00	√	944	C6T17DB115	46	230/460	5.8	86.5	1.25	13.69	S, US, 5, T
2	1800	56H	E111310.00	C/A	964	A6T17DB124	39	230/460	5.8	86.5	1.15	13.34	S, US, 6, 33
2	1800	56H	E116756.00	√	944	C6T17DB96	47	230/460	5.8	86.5	1.25	13.37	S, US, 6, T
2	1800	145T	121005.00	√	944	C145T17DB33	48	208-230/460	5.8	86.5	1.25	13.69	S, US, T
2	1800	145T	LM24169	√	762	SSD4BT61	48	230/460	6.0	86.5	1.25	13.49	S, MX
2	1200	184T	131972.00	√	1,111	C184T11DB9	81	230/460	6.8	87.5	1.15	14.19	S, MX, T
3	3600	56H	113293.00	√	967	C6T34DB37	44	230/460	7.2	86.5	1.15	12.87	S, US, 6, T
3	3600	145T	121516.00	√	943	C145T34DB16	46	230/460	7.2	86.5	1.25	12.69	S, US, T
3	3600	145T	LM32731	√	858	SSD2B3T61	42	230/460	7.2	85.5	1.25	12.70	S, US
3	1800	56HZ	116595.00	√	753	C6T17DB90	47	208-230/460	8.6	82.5	1.15	13.13	S, US, 5
3	1800	182T	131519.00	√	965	C182T17DB37	77	208-230/460	8.0	89.5	1.25	13.19	S, MX, T
3	1800	182T	LM24222	√	992	SSD4B3T61	89	230/460	8.0	89.5	1.25	13.19	S, MX
3	1200	213T	171574.60	√	1,485	C213T11DB2	156	208-230/460	10.2	88.5	1.15	16.38	C, CN, T
5	3600	184T	131986.00	√	1,033	C184T34DB11	86	230/460	12.0	86.5	1.15	15.19	S, MX, T
5	1800	184T	131520.00	√	1,087	C184T17DB44	95	230/460	12.6	89.5	1.25	14.19	S, MX, T
5	1800	184T	LM24202	√	1,114	SSD4BT61	89	230/460	12.6	89.5	1.25	14.19	S, MX
5	1200	215T	171575.60	√	1,876	C215T11DB6	188	208-230/460	15.0	90.2	1.15	16.38	C, CN, T
7 1/2	3600	184T	131988.00	√	1,493	C184T34DB12	106	230/460	17.6	88.5	1.15	16.19	S, MX, T
7 1/2	1800	213T	140470.00	√	1,364	C213T17DB2	133	230/460	20.8	91.0	1.25	16.25	S, MX, T
7 1/2	1800	213T	LM24194	√	1,567	SSD4B75T61	158	230/460	19.2	91.0	1.25	18.54	S, US
7 1/2	1800	213T	170142.60	√	1,489	C213T17DB44	163	208-230/460	20.6	91.0	1.15	16.38	C, CN, T
7 1/2	1200	254T	170145.60	√	2,350	C254T11DB43	291	208-230/460	22.4	91.7	1.15	20.94	C, CN, T
10	3600	213T	140753.00	√	1,573	C213T34DB4	160	230/460	23.4	89.5	1.15	17.30	S, MX, T
10	3600	213T	LM32740	√	1,662	SSD2B10T61	162	230/460	23.4	89.5	1.25	17.30	S, US, T
10	3600	213T	170143.60	√	1,722	C213T34DB45	153	208-230/460	23.6	91.0	1.15	16.38	C, CN, T
10	1800	215T	140472.00	√	1,612	C215T17DB15	144	230/460	26.8	91.7	1.25	17.25	S, MX, T
10	1800	215T	LM24193	√	1,752	SSD10T61	156	230/460	25.0	91.7	1.25	18.54	S, US
10	1800	215T	170144.60	√	1,757	C215T17DB49	203	208-230/460	25.6	91.7	1.15	17.87	C, CN, T
10	1200	256T	170146.60	√	2,929	C256T11DB45	305	208-230/460	29.6	91.7	1.15	22.60	C, CN, T
15	3600	215T	140754.00	√	2,090	C215T34DB4	170	230/460	35.0	91.0	1.15	18.55	S, MX, T
15	3600	215T	LM32743	√	2,221	SSD2B15T61	170	230/460	35.0	90.2	1.25	18.54	S, MX
15	3600	215T	170064.60	√	2,314	C215T34DB3	178	208-230/460	34.6	91.0	1.15	17.87	C, CN, T
15	1800	254T	170065.60	√	2,339	C254T17DB9	289	208-230/460	37.0	93.0	1.15	20.94	C, CN, T
15	1800	254T	LM24190	√	2,613	CCD4B15T61	300	230/460	37.0	93.0	1.25	24.37	C, US
15	1200	284T	170067.60	√	3,856	C284T11DB7	445	208-230/460	39.4	92.4	1.25	23.54	C, CN, T
20	3600	254T	170032.60	√	2,906	C254T34DB5	285	208-230/460	46.0	93.0	1.15	20.94	C, CN, T
20	1800	256T	170006.60	√	2,857	C256T17DB5	334	208-230/460	51.0	93.0	1.15	22.60	C, CN, T
20	1800	256T	LM24199	√	3,014	CCD4B20T61	350	230/460	48.0	93.0	1.25	24.37	C, US
20	1800	286T	LM32746	√	4,128	SSD4B20T61	233	230/460	48.0	93.0	1.25	25.18	S, US
20	1200	286T	170000.60	√	4,761	C286T11DB1	467	208-230/460	55.0	92.4	1.15	25.00	C, CN, T
25	3600	256T	170034.60	√	3,606	C256T34DB5	325	208-230/460	57.0	93.0	1.15	22.60	C, CN, T
25	1800	284T	170009.60	√	3,606	C284T17DB7	414	208-230/460	59.6	93.6	1.15	23.54	C, CN, T
25	1800	284T	LM29576	√	3,899	CCD4B25T61Y	435	230/460	64.0	93.6	1.25	24.94	C, US
25	1800	284TS	LM32748	C/A	3,899	CCD4B25TS61Y	435	230/460	64.0	93.6	1.25	23.57	C, US
25	1200	324T	170002.60	√	5,670	C324T11DB5	670	208-230/460	67.0	93.0	1.15	26.02	C, CN, T

Shaded model numbers are cast iron frame.

Continued on next page.

Green items are Premium Efficient.
"E" prefix items comply with SMR 2015.

♥ Note listing on inside back flap.
 Specifications are subject to change without notice.

C/A - Check availability.
 D - Item to be discontinued once inventory is depleted.
 Note T - N/C T-stats



Three Phase ODP Motors

Drip- Proof - General Purpose

Tech Information

Single Phase ODP Motors

Single Phase TEFC Motors

Three Phase ODP Motors

Three Phase TEFC Motors

Inverter Duty Motors

Severe Duty Motors

Explosion Proof Motors

Automotive Duty Motors

Three Phase - Drip-Proof - Rigid Base

HP	SYN RPM 60 Hz	NEMA® Frame	Catalog Number	Stock	List Price	Model Number	App. Wgt. (lbs)	Voltage	F. L. Amps @ 230 V.	% FL. Eff.	Service Factor	"C" Dim. (Inches)	♥Notes
30	3600	284TS	170036.60	√		C284T34DB4	406	208-230/460	68.5	94.1	1.15	22.17	C, CN, T
30	3600	284T	LM32687	C/A	8,205	SD2B30T61Y	365	230/460	67.0	91.7	1.25	23.00	S, US
30	1800	286T	170013.60	√	3,909	C286T17DB8	490	230/460	71.0	94.1	1.15	25.00	C, CN, T
30	1800	286T	LM29577	√	4,520	CCD4B30T61Y	491	230/460	74.0	94.1	1.25	26.81	C, US
30	1800	286TS	LM32749	C/A	4,520	CCD4B39TS61Y	423	230/460	73.0	94.1	1.25	25.44	C, US
30	1200	326T	170004.60	√	5,913	C326T11DB1	760	208-230/460	78.0	93.6	1.15	27.52	C, CN, T
40	3600	286TS	170038.60	√	5,510	C286T34DB3	451	208-230/460	91.0	93.6	1.15	23.62	C, CN, T
40	3600	286TS	LM13969	C/A	9,874	SD2B40TS61Y	389	230/460	90.0	93.6	1.25	23.25	S, US
40	3600	286T	LM32750	√	9,874	SD2B40T61Y	389	230/460	90.0	92.4	1.25	24.54	S, US
40	1800	324T	170017.60	√	5,149	C324T17DB8	591	208-230/460	96.0	94.1	1.15	26.02	C, CN, T
40	1800	324T	LM13811	√	10,475	SD4B40T61Y	469	230/460	104.0	94.1	1.25	25.82	S, US
40	1800	324TS	LM32751	C/A	10,475	SD4B40TS61Y	469	230/460	103.0	94.1	1.25	24.32	S, US
40	1200	364T	170147.60	√	8,431	C364T11DB1	892	208-230/460	100.0	94.1	1.15	31.54	C, CN, T
50	3600	324TS	170040.60	√	6,722	C324T34DB3	558	208-230/460	112.0	94.1	1.15	24.53	C, CN, T
50	3600	324T	LM32752	C/A	9,946	SD2B50T61Y	469	230/460	110.0	93.0	1.25	25.82	S, US
50	1800	326T	170021.60	√	6,221	C326T17DB5	660	208-230/460	118.0	94.5	1.15	27.52	C, CN, T
50	1800	326T	LM13813	√	10,604	SD4B50T61Y	522	230/460	131.0	95.0	1.25	27.32	S, US
50	1800	326TS	LM32674	√	10,604	SD4B50T61Y	522	230/460	131.0	94.5	1.25	25.82	S, US
50	1200	365T	170148.60	√	9,644	C365T11DB1	918	208-230/460	128.0	94.5	1.15	32.72	C, CN, T
60	3600	326TS	170042.60	√	8,038	C326T34DB5	600	208-230/460	136.0	94.1	1.25	26.02	C, CN, T
60	3600	326TS	LM13814	C/A	9,660	SD2B60TS61Y	522	230/460	136.0	94.5	1.25	25.82	S, US
60	3600	326T	LM32682	C/A	9,660	SDB60T61Y	522	230/460	136.0	93.6	1.25	27.32	S, US
60	1800	364T	170025.60	√	6,850	C364T17DB7	1115	208-230/460	139.0	94.1	1.15	31.54	C, CN, T
60	1800	364T	LM14813	√	14,349	SD4B60T61Y	712	230/460	140.0	95.0	1.25	28.40	S, US
60	1800	364TS	LM32753	C/A	14,349	SD4B60TS61Y	712	230/460	140.0	95.0	1.25	26.27	S, US
60	1200	404T	170149.60	√	10,677	C404T11DB5	1226	208-230/460	159.0	94.5	1.25	32.76	C, CN, T
75	3600	364TS	170044.60	√	10,620	C364T34DB3	1005	208-230/460	170.0	94.1	1.15	29.41	C, CN, T
75	3600	364TS	LM14812	C/A	15,599	SD2B75TS61Y	712	230/460	164.0	94.5	1.25	29.77	S, US
75	3600	364T	LM32754	C/A	15,599	SD2B75T61Y	712	230/460	164.0	93.6	1.25	28.40	S, US
75	1800	365T	170029.60	√	8,446	C365T17DB5	1093	208-230/460	174.0	94.5	1.15	32.72	C, CN, T
75	1800	365T	LM14815	C/A	14,607	SD4B75T61Y	763	230/460	176.0	95.0	1.25	29.40	S, US
75	1800	365TS	LM32755	√	14,607	SD4B75TS61Y	763	230/460	180.0	95.0	1.25	27.27	S, US
75	1200	405T	170150.60	√	12,653	C405T11DB6	1275	208-230/460	199.0	94.5	1.15	34.25	C, CN, T
100	3600	365TS	170151.60	√	12,005	C365T34DB4	1078	208-230/460	226.0	94.5	1.15	30.59	C, CN, T
100	3600	365TS	LM14814	C/A	14,106	SD2B100TS61Y	763	230/460	220.0	95.0	1.25	27.27	S, US
100	3600	365T	LM32756	C/A	14,106	SD2B100T61Y	763	230/460	220.0	93.6	1.25	29.40	S, US
100	1800	404T	170152.60	√	11,556	C404T17DB5	1183	208-230/460	225.0	95.4	1.15	36.42	C, CN, T
100	1800	404T	LM13943	√	16,086	SD4B100T61Y	882	230/460	244.0	95.4	1.25	33.31	S, US
100	1800	404TS	LM32757	√	16,086	SD4B100TS61Y	882	230/460	260.0	95.4	1.25	29.18	S, US
100	1200	444T	170269.60	√	14,945	C444T11DB4	2604	460	118 *	95.4	1.15	40.00	C, CN, T

Shaded model numbers are cast iron frame.

Continued on next page.

Green items are Premium Efficient.

C/A - Check availability.

Note T - N/C T-stats

* Amps @ 460V

♥ Note listing on inside back flap.

Specifications are subject to change without notice.



Three Phase ODP Motors

Drip- Proof - General Purpose

Three Phase - Drip-Proof - Rigid Base

HP	SYN RPM 60 Hz	NEMA® Frame	Catalog Number	Stock	List Price	Model Number	App. Wgt. (lbs)	Voltage	F. L. Amps @ 230 V.	% F.L. Eff.	Service Factor	"C" Dim. (Inches)	♥Notes
125	3600	404TS	170154.60	√	13,878	C404T34DB1	1585	230/460	284	94.5	1.15	29.76	C, CN, T
125	3600	404TS	LM13942	C/A	17,131	SD2B125TS61Y	882	230/460	276	95.0	1.25	29.20	S, US
125	3600	404T	LM32758	C/A	17,131	SD2B125T61Y	882	230/460	276	94.1	1.25	32.00	S, US
125	1800	405T	170155.60	√	14,626	C405T17DB6	1292	208-230/460	280	95.4	1.15	34.25	C, CN, T
125	1800	405TS	LM32759	C/A	16,270	SD4B125TS61Y	958	230/460	306	95.4	1.25	30.68	S, US
125	1200	445T	170259.60	√	19,427	C445T11DB4	2200	460	148 *	95.8	1.25	40.00	C, CN, T
150	3600	405TS	171449.60	√	17,122	C405T34DB2	1173	460	169 *	94.5	1.15	31.26	C, CN, T
150	1800	444T	171522.60	√	17,271	C444T17DB2	2150	460	164 *	95.8	1.15	40.00	C, CN, T
150	1800	444T	LM13817	√	20,846	SD4B150T64Y	1277	460	170 *	95.8	1.25	37.43	S, US
150	1800	444TS	LM32760	√	20,846	SD4B150TS64Y	277	460	170 *	95.8	1.25	33.50	S, US
150	1200	445T	171576.60	√	20,841	C445T11DB5	2153	460	178 *	95.8	1.15	40.00	C, CN, T
200	3600	444TS	171573.60	√	22,771	C444T35DB1	1785	460	216 *	95.4	1.25	36.22	C, CN, T
200	1800	445T	171523.60	√	19,918	C445T17DB14	2037	460	220 *	95.8	1.15	40.00	C, CN, T
200	1800	445T	LM13820	√	25,638	SD4B200T64Y	1438	460	233 *	96.2	1.25	39.43	S, US
200	1800	445TS	LM32761	C/A	25,638	SD4B200TS64Y	1449	460	233 *	96.2	1.25	35.50	S, US
200	1200	447T	171577.60	√	27,396	C447T11DB1	2750	460	239 *	96.2	1.15	48.62	C, CN, T
200	1200	449T	LM16239	√	28,744	SDB200T64Y	2112	460	255 *	95.8	1.15	47.93	S, US
250	3600	445TS	LM13822	√	37,425	SD2B250TS64Y	1438	460	267 *	95.8	1.15	35.50	S, US
250	1800	445T	171524.60	√	22,357	C445T17DB19	1940	460	284 *	95.8	1.15	40.00	C, CN, T
250	1800	447T	LM16235	C/A	35,635	SD4B250T64Y	1745	460	284 *	95.8	1.15	42.93	S, US
300	3600	447TS	LM13825	C/A	44,088	SD2B300TS64Y	1745	460	316 *	96.2	1.15	39.00	S, US
300	3600	447TS	LM13764	C/A	34,914	SD2P300TS64Y	1745	460	316 *	95.4	1.15	39.00	S, US
300	1800	447T	LM13826	√	37,157	SD4B300T64Y	1745	460	348 *	95.8	1.15	42.93	S, US
300	1800	447TS	LM32143	C/A	32,768	SD4B300TS64Y	1775	460	348 *	95.8	1.15	39.00	S, US
300	1800	445T	171525.60	√	25,648	C445T17DB20	2345	460	329 *	95.8	1.15	40.00	C, CN, T
350	3600	447TS	LM13767	√	39,520	SD2P350TS64Y	1745	460	369 *	95.4	1.15	39.00	S, US
350	3600	449TS	LM16237	C/A	52,400	SD2B350TS64Y	2112	460	368 *	95.8	1.15	44.00	S, US
350	1800	447TS	LM34097	√	40,422	SD4B350TS64Y		460	405 *	95.8	1.00	39.00	S, US
350	1800	447T	171518.60	√	28,306	C447T17DB10	2041	460	392 *	95.8	1.15	48.62	C, CN, T
400	3600	449TS	LM13831	C/A	57,687	SD2B400TS64Y	2112	460	430 *	95.8	1.15	44.00	S, US
400	1800	449T	LM13832	C/A	55,979	SD4B400T64Y	2112	460	445 *	96.2	1.15	47.90	S, US
400	1800	449TS	LM22759	C/A	41,900	SD4B400TS64Y	2112	460	460 *	95.8	1.15	44.00	S, US

Shaded model numbers are cast iron frame.

Continued on next page.

Green items are Premium Efficient.

C/A - Check Availability.

*Amps at 460 volts.

B - Build up item subject to manufacturing lead-time

Note T - N/C T-stats

♥ Note listing on inside back flap.

Specifications are subject to change without notice.



Three Phase C Face Motors

Drip-Proof - General Purpose

Tech Information

Single Phase
ODP Motors

Single Phase
TEFC Motors

Three Phase
ODP Motors

Three Phase
TEFC Motors

Inverter Duty
Motors

Severe Duty
Motors

Explosion Proof
Motors

Automotive
Duty Motors

Three Phase - Drip-Proof - C Face Less Base

HP	SYN RPM 60 Hz	NEMA® Frame	Catalog Number	Stock	List Price	Model Number	App. Wgt. (lbs)	Voltage	F. L. Amps @ 230 V.	% F.L. Eff.	Service Factor	"C" Dim. (Inches)	♥Notes
1/3	1800	S56C	E103014.00	✓	493	C4T17DC55	20	230/460	1.0	69.5	1.35	10.74	S, MX
1/3	3600	S56C	E100375.00	✓	511	C4T34DC45	19	230/460	1.4	69.5	1.35	11.04	S, US
1/3	1800	S56C	102695.00	D	528	C4T17DC45	22	230/460	1.3	77.0	1.25	11.49	S, MX
1/3	1800	S56C	E102695.00	✓	528	C4T17DC45	22	230/460	1.2	77.0	1.25	11.49	S, MX, T
1/2	3600	S56C	E100056.00	✓	552	C4T34DC46	19	230/460	1.8	73.4	1.25	11.04	S, US
1/2	1800	56C	E119352.00	✓	595	C6T17DC97	29	230/460	2.0	78.2	1.25	9.87	S, US, T
1/2	1200	56C	E110434.00	✓	899	C6T11DC12	29	230/460	2.2	75.3	1.15	10.87	S, US, T
3/4	3600	S56C	E100378.00	✓	557	C4T34DC3	20	230/460	2.4	79.0	1.25	9.74	S, US, T
3/4	1800	56C	E114934.00	✓	605	C6T17DC68	29	230/460	2.4	81.5	1.25	10.87	S, US, T
3/4	1200	143TC	120063.00	✓	776	C143T11DC1	20	208-230/460	3.4	80.0	1.15	11.28	S, US
3/4	1200	56C	E116728.00	✓	943	C6T11DC13	36	230/460	2.8	81.7	1.15	11.87	S, US, T
1	3600	56C	E110111.00	✓	570	C6T34DC7	22	230/460	3.2	77.0	1.25	9.87	S, US, T
1	1800	143TC	121064.00	C/A	876	C143T17DC12	32	230/460	3.2	85.5	1.25	12.19	S, US, T
1	1800	56C	E116740.00	✓	876	C6T17DC80	32	230/460	3.2	85.5	1.25	12.12	S, US, T
1	1200	145TC	122162.00	C/A	935	C145T11DC6	41	208-230/460	3.9	82.5	1.15	13.19	S, US
1 1/2	3600	143TC	122214.00	✓	863	C143T34DC10	41	208-230/460	4.4	84.0	1.15	12.19	S, US, T
1 1/2	3600	56C	E110437.00	✓	854	C4T34DC48	35	230/460	4.0	84.0	1.25	11.87	S, US, T
1 1/2	1800	145TC	121063.00	C/A	914	C145T17DC30	36	230/460	4.8	86.5	1.25	13.19	S, US, T
1 1/2	1800	56C	E116741.00	✓	914	C6T17DC81	36	230/460	4.8	86.5	1.25	12.87	S, US, T
2	3600	143TC	122164.00	✓	948	C143T34DC9	47	208-230/460	4.8	85.5	1.15	12.69	S, US
2	3600	56C	E113894.00	✓	948	C6T34DC104	42	230/460	4.8	85.5	1.25	12.87	S, US, T
2	1800	145TC	121071.00	✓	1,043	C145T17DC31	44	230/460	5.8	86.5	1.25	13.69	S, US, T
2	1800	56C	E116742.00	✓	1,028	C6T17DC82	44	230/460	5.8	86.5	1.25	13.37	S, US, T
2	1200	184TC	132427.00	C/A	1,111	C182T11DC112	85	230/460	7.2	88.5	1.15	15.20	S, MX
3	3600	145TC	122163.00	✓	993	C145T34DC17	43	208-230/460	7.2	85.5	1.15	13.19	S, US
3	3600	56C	E114420.00	✓	985	C6T34DC105	35	230/460	7.2	85.5	1.25	12.87	S, US, T
3	1800	182TC	131518.00	C/A	1,102	C182T17DC20	78	230/460	8.0	89.5	1.25	13.20	S, MX, T
5	3600	182TC	132426.00	✓	1,015	C182T34DC111	63	230/460	12.4	86.5	1.15	13.20	S, MX
5	1800	184TC	131517.00	✓	1,296	C184T17DC16	99	230/460	12.6	89.5	1.25	14.20	S, MX, T
7 1/2	3600	184TC	132425.00	✓	1,527	C184T34DC110	90	230/460	17.8	88.5	1.15	14.70	S, MX
7 1/2	1800	213TC	140483.00	✓	1,436	C213T17DC7	132	230/460	20.8	91.0	1.25	16.25	S, MX, T
10	3600	213TC	141228.00	✓	1,681	C215T34DC69	145	230/460	24.2	90.2	1.15	18.03	S, MX
10	1800	215TC	G140108.00	D	1,544	C215T17DC8	129	230/460	28.0	89.5	1.15	16.75	S, MX
10	1800	215TC	140485.00	C/A	1,621	C213T17DC5	162	208-230/460	26.8	91.9	1.25	17.25	S, MX, T
15	3600	215TC	141229.00	✓	2,171	C215T34DC70	158	230/460	36.5	91.0	1.15	18.03	S, MX
15	1800	254TC	171682.60	✓	2,519	C254T17DC8	300	208-230/460	37.0	93.0	1.15	20.94	C, CN, T
20	3600	254TC	171683.60	✓	3,153	C254T34DC4	276	208-230/460	46.0	91.0	1.15	20.94	C, CN, T
20	1800	256TC	171684.60	✓	3,144	C256T17DC6	324	208-230/460	51.0	93.0	1.15	22.60	C, CN, T
25	3600	256TC	171685.60	✓	3,867	C256T34DC3	315	208-230/460	57.0	92.5	1.15	23.03	C, CN, T
25	1800	284TC	G151686.60	D	3,366	C284T17DC2	388	208-230/460	59.0	91.7	1.15	23.54	C, CN, T
25	1800	284TC	171686.60	✓	3,932	C284T17DC3	404	208-230/460	59.5	93.6	1.15	23.54	C, CN, T
30	3600	284TSC	G151687.60	D	3,686	C284T34DC2	373	230/460	70.4	91.0	1.15	25.00	C, CN, T
30	3600	284TSC	171687.60	✓	4,262	C284T34DC3	406	230/460	68.5	94.1	1.15	25.00	C, CN, T

Shaded model numbers are cast iron frame.

Continued on next page.

Green items are Premium Efficient.

♥ Note listing on inside back flap.

D - Item to be discontinued once inventory is depleted.

Specifications are subject to change without notice.

C/A - Check Availability.

Note T - N/C T-stats



Three Phase C Face Motors

Drip-Proof - General Purpose

Three Phase - Drip-Proof - C Face With Base

HP	SYN RPM 60 Hz	NEMA® Frame	Catalog Number	Stock	List Price	Model Number	App. Wgt. (lbs)	Voltage	F. L. Amps @ 230 V.	% F.L. Eff.	Service Factor	"C" Dim. (Inches)	♥Notes
1/3	1800	S56C	LM24277	D	493	SRDAS0.33TC61	15	230/460	2.2	67.0	1.35	9.80	S, MX
1/3	1800	S56C	E103021.00	C/A	553	C4T17DK9	23	230/460	1.2	77.0	1.25	11.49	S, MX, T
1/2	3600	S56C	E100600.00	√	587	C4T34DK18	30	230/460	1.8	78.2	1.25	11.04	S, US
1/2	1800	56C	E119353.00	√	612	C6T17DK40	23	230/460	2.0	78.2	1.25	9.87	S, US, T
3/4	3600	S56C	E102971.00	√	591	C4T34DK9	21	230/460	2.4	79.0	1.25	9.74	S, US, T
3/4	1800	S56C	LM34055	√	616	SRD4B0.75TC61	30	230/460	2.6	81.1	1.25	11.55	S, MX
3/4	1800	56C	E116762.00	√	620	C6T17DK30	29	230/460	2.4	81.5	1.25	10.87	S, US, T
1	3600	56C	E116784.00	C/A	597	C6T34DK16	20	230/460	3.2	77.0	1.15	9.87	S, US, T
1	1800	S56C	LM34056	√	899	SRD4B1TC61	30	230/460	3.0	83.5	1.15	12.19	S, MX
1	1800	56C	E116763.00	√	887	C6T17DK33	37	230/460	3.2	85.5	1.25	12.12	S, US, T
1	1800	143TC	121935.00	C/A	815	C143T17DK6	39	230/460	3.1	85.5	1.25	12.19	S, US, T
1 1/2	3600	56C	E116785.00	√	870	C6T34DK20	33	230/460	4.0	84.0	1.15	11.87	S, US, T
1 1/2	1800	56HC	LM34057	√	936	SRD4B1.5TC61	30	230/460	4.6	86.5	1.15	13.50	S, US, 6
1 1/2	1800	56C	E116764.00	C/A	916	C6T17DK32	41	230/460	4.8	86.5	1.25	12.87	S, US, T
1 1/2	1800	145TC	121675.00	C/A	995	C145T17DK22	37	208-230/460	4.8	86.5	1.25	13.12	S, US, T
2	3600	56C	E114218.00	√	1,045	C6T34DK25	44	230/460	4.8	85.5	1.15	12.87	S, US, T
2	1800	56HC	LM34058	√	1,046	SRD4B2TC61	47	230/460	6.0	86.5	1.15	13.44	S, US, 6
2	1800	56HC	E116765.00	√	1,038	C6T17DK31	48	230/460	5.8	86.5	1.25	13.37	S, US, 6, T
2	1800	145TC	121676.00	√	1,038	C145T17DK21	42	230/460	5.8	86.5	1.25	13.62	S, US, T
3	3600	145TC	121928.00	C/A	954	C145T34DK16	46	230/460	7.2	85.5	1.25	13.19	S, US, T
3	1800	182TC	132081.00	√	1,123	C182T17DK17	76	230/460	8.0	89.5	1.25	13.70	S, MX, T
5	3600	182TC	132242.00	√	1,033	C184T34DK20	99	230/460	12.0	86.5	1.15	15.20	S, MX, T
5	1800	184TC	132082.00	√	1,315	C184T17DK26	97	230/460	12.6	89.5	1.25	14.20	S, MX, T
7 1/2	3600	184TC	132244.00	√	1,559	C184T34DK21	103	230/460	17.6	88.5	1.15	16.20	S, MX, T
7 1/2	1800	213TC	140767.00	C/A	1,447	C213T17DK7	132	230/460	21.8	91.0	1.25	16.25	S, MX, T
7 1/2	1800	213TC	170170.60	√	1,446	C213T17DK15	165	208-230/460	19.8	91.0	1.15	17.32	C, CN, T
10	3600	213TC	141111.00	√	1,729	C213T34DK6	128	230/460	23.4	89.5	1.15	18.03	S, MX
10	3600	213TC	LM32778	C/A	1,820	SSD2B10TC61	116	230/460	23.4	89.5	1.15	18.03	S, MX, T
10	3600	213TC	170171.60	√	1,931	C213T3DK7	195	208-230/460	23.6	90.2	1.15	17.32	C, CN, T
10	1800	215TC	140768.00	√	1,640	C215T17DK6	144	230/460	26.8	91.7	1.25	17.25	S, MX, T
10	1800	215TC	LM32649	√	1,892	SSD4B10TC61	152	230/460	25.0	91.7	1.25	21.09	S, MX
10	1800	215TC	170172.60	√	1,891	C215T17DK13	200	208-230/460	25.6	91.7	1.15	18.90	C, CN, T
15	3600	215TC	170173.60	√	2,667	C215T34DK9	200	208-230/460	34.5	91.0	1.15	17.87	C, CN, T
15	3600	215TC	141119.00	√	2,234	C215T34DK3	155	230/460	35.0	91.0	1.15	19.28	S, MX
15	1800	254TC	170175.60	√	2,700	C254T17DK7	280	208-230/460	37.0	93.0	1.15	21.60	C, CN, T
15	1800	254TC	LM32781	C/A	2,973	CCD4B15TC61	326	230/460	37.0	93.0	1.25	23.31	

Shaded model numbers are cast iron frame.

Continued on next page.

Green items are Premium Efficient.

C/A - Check Availability.

Note T - N/C T-stats

♥ Note listing on inside back flap.
Specifications are subject to change without notice.



Three Phase C Face Motors

Drip-Proof - General Purpose

Tech Information

Three Phase - Drip-Proof - C Face With Base

HP	SYN RPM 60 Hz	NEMA® Frame	Catalog Number	Stock	List Price	Model Number	App. Wgt. (lbs)	Voltage	F. L. Amps @ 230 V.	% FL. Eff.	Service Factor	"C" Dim. (Inches)	♥Notes
20	3600	254TC	170070.60	✓	3,225	C254T34DK6	275	208-230/460	46.0	93.0	1.15	20.94	C, CN, T
20	1800	256TC	170071.60	✓	3,284	C256T17DK6	340	208-230/460	49.0	93.0	1.15	23.03	C, CN, T
20	1800	286TC	LM32783	✓	4,412	SSD4B20TC61	352	230/460	48.0	93.0	1.25	26.19	S, US
25	3600	256TC	171688.60	✓	4,035	C256T34DK6	383	208-230/460	57	93.0	1.15	23.03	C, CN, T
25	1800	284TC	170073.60	✓	4,149	C284T17DK4	404	208-230/460	59.5	93.6	1.15	24.02	C, CN, T
25	1800	284TSC	LM32785	✓	4,274	CCD4B25TSC61Y	447	230/460	62	93.6	1.25	23.57	C, US
25	1200	324TC	LM14535	C/A	6,867	SD6B25TC61Y	522	230/460	65	93.0	1.25	28.00	S, US
30	3600	284TSC	LM17382	✓	7,618	SD2B30TSC61Y	357	230/460	67	93.0	1.25	21.78	S, US
30	1800	286TC	171377.60	✓	4,750	C286T17DK5	471	208-230/460	71	94.1	1.15	25.51	C, CN, T
30	1800	286TSC	LM32786	C/A	4,951	CCD4B30TSC61Y	461	230/460	74	94.1	1.25	25.44	C, US
40	3600	286TSC	LM17384	C/A	9,957	SD2B40TSC61Y	406	230/460	90	93.6	1.25	23.28	S, US
40	1800	324TC	170378.60	✓	6,020	C324T17DK10	560	208-230/460	96	94.1	1.15	26.02	C, CN, T
40	1800	324TC	LM13837	C/A	10,829	SD4B40TC61Y	479	230/460	103	94.1	1.25	25.91	S, US
50	3600	324TSC	LM13838	✓	10,009	SD2B50TSC61Y	479	230/460	110	94.1	1.25	24.41	S, US
50	1800	326TC	170379.60	✓	7,130	C326T17DK4	614	208-230/460	118	94.5	1.15	27.52	C, CN, T
50	1800	326TC	LM13839	✓	10,834	SD4B50TC61Y	535	230/460	131	94.5	1.25	27.41	S, US
50	1800	326TSC	LM32655	✓	10,834	SD4B50TSC61Y	550	230/460	131	94.5	1.25	25.91	S, US
60	3600	326TSC	LM13840	C/A	9,639	SD2B60TSC61Y	535	230/460	136	93.6	1.25	25.91	S, US
60	1800	364TC	171689.60	✓	8,948	C364T17DK2	716	208-230/460	139	95.4	1.15	28.01	C, CN, T
60	1800	364TSC	LM32787	✓	14,514	SD4B60TSC61Y	724	230/460	140	95.0	1.25	26.27	S, US
60	1800	364TC	LM15570	C/A	14,514	SD4B60TC61Y	747	230/460	140	95.0	1.25	28.35	S, US
75	3600	364TSC	LM15569	✓	15,384	SD2B75TSC61Y	722	230/460	164	95.0	1.25	26.27	S, US
75	1800	365TC	171690.60	✓	10,867	C365T17BK2	766	208-230/460	174	95.4	1.15	30.05	C, CN, T
75	1800	365TSC	LM32656	✓	14,465	SD4B75TSC61Y	775	230/460	176	95.0	1.25	27.27	S, US
100	3600	365TSC	LM15572	C/A	15,802	SD2B100TSC61Y	771	230/460	218	95.4	1.25	27.27	S, US
100	1800	404TC	171691.60	✓	13,833	C404T17DK2	1141	208-230/460	225	95.4	1.15	32.68	C, CN, T
100	1800	404TSC	LM32788	✓	15,611	SD4B100TSC1Y	898	230/460	260	95.4	1.25	29.16	S, US
125	3600	404TSC	LM17388	C/A	20,235	SD2B125TSC61Y	889	230/460	276	95.0	1.25	29.16	S, US
125	1800	405TSC	LM32657	✓	16,297	SD4B125TSC61Y	974	230/460	306	95.4	1.25	30.66	S, US
125	1800	405TC	LM17389	C/A	16,297	SD4B125TC61Y	984	230/460	304	95.4	1.25	33.66	S, US
150	3600	405TSC	LM17390	C/A	23,816	SD2B150TSC61Y	965	230/460	338	94.1	1.25	30.66	S, US
150	1800	444TSC	LM32789	✓	20,881	SD4B150TSC64Y	1298	460	170 *	95.8	1.25	33.50	S, US
200	3600	444TSC	LM13795	C/A	29,190	SD2B200TSC64Y	920	460	216 *	95.8	1.25	33.50	S, US
200	1800	445TSC	LM32677	✓	25,693	SD4B200TSC64Y	1470	460	233 *	96.2	1.25	35.50	S, US

Shaded model numbers are cast iron frame.

Green items are Premium Efficient.

*FL. Amps at 460V.
C/A - Check Availability.
Note T - N/C T-stats

♥ Note listing on inside back flap.
Specifications are subject to change without notice.

Single Phase
ODP Motors

Single Phase
TEFC Motors

Three Phase
ODP Motors

Three Phase
TEFC Motors

Inverter Duty
Motors

Severe Duty
Motors

Explosion Proof
Motors

Automotive
Duty Motors



Ultimate e®/Globetrotter® General Purpose Motors

Drip-Proof - General Purpose

Features:

- Meets or exceeds NEMA® Premium efficiencies
- Class F insulation
- F2 Convertible
- GT catalog numbers are Globetrotter dual branded motors
- UL recognized, CSA certified, CE mark



Three Phase - Drip-Proof - Rigid Base

Note: When ordering catalog numbers beginning with GT, use the model number instead of the catalog number.

HP	SYN RPM 60 Hz	NEMA® Frame	Catalog Number	Stock	List Price	Model Number	App. Wgt. (lbs)	Voltage	F. L. Amps @ 230 V	% FL. Eff.	Service Factor	"C" Dim. (Inches)	♥Notes
1 1/2	1200	182T	199685.00	D	967	C182T11DB10	69	230/460	4.4	86.5	1.15	13.72	S, CN
1 1/2	1200	182T	B199685.00	D	891	C182T11DB11	69	230/460	4.6	86.5	1.15	13.72	S, CN
1 1/2	1200	182T	GT0005A	√	891	182TTDBD6076	69	230/460	4.6	86.5	1.15	13.72	S, MX
2	1200	184T	199686.00	D	983	C184T11DB10	79	230/460	5.8	87.5	1.15	14.72	S, CN
2	1200	184T	B199686.00	D	905	C184T11DB11	79	230/460	5.8	87.5	1.15	14.72	S, CN
2	1200	184T	GT0008A	√	905	184TTDBD6076	79	230/460	5.8	87.5	1.15	14.72	S, MX
3	1800	182T	199687.00	D	786	C182T17DB62	73	230/460	7.6	90.2	1.15	13.72	S, CN
3	1800	182T	B199687.00	D	786	C182T17DB65	73	230/460	8.0	89.5	1.15	13.72	S, CN
3	1800	182T	GT0010A	√	786	182TTDBD6026	73	230/460	8.0	89.5	1.15	13.72	S, MX
3	1800	182T	GT0110	√	786	182TTDBD6030	73	575	3.2	89.5	1.15	13.72	S, CN
3	1200	213T	B199688.00	D	1,240	C213T11DB13	120	230/460	8.4	88.5	1.15	17.52	S, CN
3	1200	213T	GT0011A	√	1,240	213TTDBD6076	120	230/460	8.4	89.4	1.15	17.52	S, MX
5	3600	182T	199689.00	D	829	C182T34DB8	85	230/460	12.4	87.5	1.15	13.72	S, CN
5	3600	182T	B199689.00	D	829	C182T34DB89	85	230/460	12.6	86.5	1.15	12.25	S, CN
5	3600	182T	GT0012A	√	829	182TTDBD6001	85	230/460	12.6	86.5	1.15	12.25	S, MX
5	1800	184T	B199690.00	D	885	C184T17DB91	91	230/460	12.6	89.5	1.15	14.72	S, CN
5	1800	184T	GT0013A	√	885	184TTDBD6026	91	230/460	12.6	89.5	1.15	14.72	S, MX
5	1800	184T	GT0113	√	885	184TTDBD6030	91	575	5.1	89.5	1.15	14.72	S, CN
5	1200	184T	B199691.00	D	1,444	C215T11DB11	138	230/460	13.8	89.5	1.15	17.52	S, CN
5	1200	215T	GT0014A	√	1,444	215TTDBD6076	138	230/460	13.7	89.5	1.15	17.52	S, MX
7 1/2	3600	184T	199692.00	D	1,107	C184T34DB17	98	230/460	18.0	88.5	1.15	14.72	S, CN
7 1/2	3600	184T	B199692.00	D	1,020	C184T34DB18	98	230/460	17.8	88.5	1.15	13.25	S, CN
7 1/2	3600	184T	GT0015A	√	1,020	184TTDBD6001	98	230/460	17.8	88.5	1.15	13.25	S, MX
7 1/2	1800	213T	B199693.00	D	1,145	C213T17DB50	133	230/460	19.8	91.0	1.15	17.52	S, CN
7 1/2	1800	213T	GT0016A	√	1,145	213TTDBD6026	133	230/460	19.8	91.0	1.15	17.52	S, MX
7 1/2	1800	213T	GT0116	√	1,145	213TTDBD6030	133	575	7.9	91.0	1.15	17.52	S, CN
7 1/2	1200	254T	B199694.00	D	1,807	C254T11DB47	230	230/460	20.2	90.2	1.15	22.64	S, CN
7 1/2	1200	254T	GT0057	√	1,807	254TTDBD6076	230	230/460	20.2	90.2	1.15	22.64	S, CN
10	3600	213T	B199695.00	D	1,308	C213T34DB49	125	230/460	24.3	89.5	1.15	17.52	S, CN
10	3600	213T	GT0018A	√	1,308	213TTDBD6001	125	230/460	23.6	90.2	1.15	17.52	S, MX
10	1800	215T	199696.00	D	1,351	C215T17DB58	144	230/460	25.6	91.7	1.15	17.52	S, CN
10	1800	215T	B199696.00	D	1,351	C215T17DB59	144	230/460	25.4	91.7	1.15	17.52	S, CN
10	1800	215T	GT0019A	√	1,351	215TTDBD6026	144	230/460	25.4	91.7	1.15	17.52	S, MX
10	1800	215T	GT0119	√	1,351	215TTDBD6030	144	575	10.2	91.7	1.15	17.52	S, CN
10	1200	256T	199697.00	D	2,251	C256T11DB48	244	230/460	27.6	91.7	1.15	24.22	C, CN
10	1200	256T	B199697.00	D	2,139	C256T11DB49	285	230/460	25.6	91.7	1.15	24.22	S, CN
10	1200	256T	GT0058	√	2,139	256TTDBD6076	285	230/460	25.6	91.7	1.15	24.22	S, CN
15	3600	215T	B199698.00	D	1,916	C215T34DB7	127	230/460	36.0	90.2	1.15	17.52	S, CN
15	3600	215T	GT0021A	√	1,916	215TTDBD6001	127	230/460	36.0	90.9	1.15	17.52	S, MX
15	1800	254T	199699.00	D	2,191	C254T17DB46	334	230/460	36.5	93.0	1.15	22.64	C, CN
15	1800	254T	B199699.00	D	2,083	C254T17DB47	272	230/460	36.5	93.0	1.15	22.64	S, CN
15	1800	254T	GT0059	√	2,083	254TTDBD6026	272	230/460	36.5	93.0	1.15	22.64	S, CN
15	1800	254T	GT0159	√	2,083	254TTDBD6030	272	575	15.1	93.0	1.15	22.64	S, CN
15	1200	284T	B199700.00	D	2,818	C284T11DB10	317	230/460	41.0	91.7	1.15	22.64	S, CN
15	1200	284T	GT0060	√	2,818	284TTDBD6076	317	230/460	41.0	91.7	1.15	22.64	S, CN

Shaded model numbers are cast iron frame.

♥ Note listing on inside back flap.

Specifications are subject to change without notice.

Green items are Premium Efficient.

D - Item to be discontinued once inventory is depleted.

*Amps at 460 volts.



Ultimate e®/Globetrotter® General Purpose Motors

Drip-Proof - General Purpose

Tech Information

Three Phase - Drip-Proof - Rigid Base

Note: When ordering catalog numbers beginning with GT, use the model number instead of the catalog number.

HP	SYN RPM 60 Hz	NEMA® Frame	Catalog Number	Stock	List Price	Model Number	App. Wgt. (lbs)	Voltage	F. L. Amps @ 230 V	% FL. Eff.	Service Factor	"C" Dim. (Inches)	♥Notes
20	3600	254T	B199701.00	D	2,096	C254T34DB7	256	230/460	48.0	91.0	1.15	22.64	S, CN
20	3600	254T	GT0061	√	2,096	254TTDBD6001	256	230/460	48.0	91.0	1.15	22.64	S, CN
20	1800	256T	B199702.00	D	2,202	C256T17DB13	314	230/460	48.5	93.0	1.15	24.22	S, CN
20	1800	256T	GT0062	√	2,202	256TTDBD6026	314	230/460	48.5	93.0	1.15	24.22	S, CN
20	1800	256T	GT0162	√	2,202	256TTDBD6030	314	575	19.5	93.0	1.15	24.22	S, CN
20	1200	286T	199703.00	D	3,613	C286T11DB7	499	230/460	54.0	92.4	1.15	27.09	C, CN
20	1200	286T	B199703.00	D	3,433	C286T11DB8A	420	230/460	52.5	92.4	1.15	27.09	S, CN
20	1200	286T	GT0063	√	3,433	286TTDBD6076	420	230/460	52.5	92.4	1.15	27.09	S, CN
25	3600	256T	B199704.00	D	2,669	C256T34DB11	231	230/460	59.5	91.7	1.15	24.22	S, CN
25	3600	256T	GT0064	√	2,669	256TTDBD6001	231	230/460	59.5	91.7	1.15	24.22	S, CN
25	1800	284T	199705.00	D	2,734	C284T17DB11	470	230/460	62.0	93.6	1.15	25.71	C, CN
25	1800	284T	B199705.00	D	2,597	C284T17DB12	329	230/460	62.0	93.6	1.15	25.71	S, CN
25	1800	284T	GT0065	√	2,597	284TTDBD6026	329	230/460	62.0	93.6	1.15	25.71	S, CN
25	1800	284T	GT0165	√	2,597	384TTDBD6030	376	575	24.8	93.6	1.15	25.71	S, CN
25	1200	324T	199706.00	D	4,304	C324T11DB7	594	230/460	68.0	93.0	1.15	28.55	C, CN
25	1200	324T	B199706.00	D	4,304	C324T11DB8	430	230/460	65.0	93.0	1.15	28.55	S, CN
25	1200	324T	GT0068	√	4,304	324TTDBD6076	430	230/460	65.0	93.0	1.15	28.55	S, CN
30	3600	284TS	199707.00	D	3,476	C284T34DB9	447	230/460	66.5	91.7	1.15	24.41	C, CN
30	3600	284TS	B199707.00	D	3,301	C284T34DB10	376	230/460	71.5	91.7	1.15	24.34	S, CN
30	3600	284TS	GT0069	√	3,301	284TSTDBD6001	376	230/460	71.5	91.7	1.15	24.34	S, CN
30	1800	286T	199708.00	D	3,154	C286T17DB14	507	230/460	73.0	94.1	1.15	27.09	C, CN
30	1800	286T	B199708.00	D	2,997	C286T17DB15	377	230/460	72.5	94.1	1.15	27.09	S, CN
30	1800	286T	GT0067	√	2,997	286TTDBD6026	377	230/460	72.5	94.1	1.15	27.09	S, CN
30	1800	286T	GT0167	√	2,997	286TTDBD6030	377	575	29.0	94.1	1.15	27.09	S, CN
30	1200	326T	199709.00	D	5,044	C326T11DB7	699	230/460	79.0	93.6	1.15	29.73	C, CN
30	1200	326T	B199709.00	D	5,044	C326T11DB8	529	230/460	75.0	93.6	1.15	29.73	S, CN
30	1200	326T	GT0071	√	5,044	326TTDBD6076	529	230/460	75.0	93.6	1.15	29.73	S, CN
40	3600	286TS	B199710.00	D	4,073	C286T34DB7	348	230/460	93.0	92.4	1.15	25.72	S, CN
40	3600	286TS	GT0072	√	4,073	286TSTDBD6001	348	230/460	93.0	92.4	1.15	25.72	S, CN
40	1800	324T	199711.00	D	3,965	C324T17DB12	615	230/460	95.0	94.5	1.15	28.55	C, CN
40	1800	324T	B199711.00	D	3,965	C324T17DB13	452	230/460	95.5	94.1	1.15	28.55	S, CN
40	1800	324T	GT0073	√	3,965	324TTDBD6026	452	230/460	95.5	94.1	1.15	28.55	S, CN
40	1800	324T	GT0173	√	3,965	324TTDBD6030	152	575	38.5	94.1	1.15	28.55	S, CN
40	1200	364T	199712.00	D	6,476	C364T11DB8	823	230/460	97.0	94.1	1.15	31.69	C, CN
40	1200	364T	B199712.00	D	6,476	C364T11DB9	672	230/460	97.0	94.1	1.15	31.69	S, CN
40	1200	364T	GT0075	√	6,476	364TTDBD6086	672	230/460	97.0	94.1	1.15	31.69	S, CN
50	3600	324TS	199713.00	D	5,098	C324T34DB6	617	230/460	114.0	93.0	1.15	27.05	C, CN
50	3600	324TS	B199713.00	D	5,098	C324T34DB7	411	230/460	115.0	93.0	1.15	27.05	S, CN
50	3600	324TS	GT0076	√	5,098	324TSTDBD6001	411	230/460	115.0	93.0	1.15	27.05	S, CN
50	1800	326T	199714.00	D	4,724	C326T17DB9	657	230/460	118.0	94.5	1.15	29.73	C, CN
50	1800	326T	B199714.00	D	4,724	C326T17DB10	507	230/460	118.0	94.5	1.15	29.73	S, CN
50	1800	326T	GT0077	√	4,724	326TTDBD6026	507	230/460	118.0	94.5	1.15	29.73	S, CN
50	1800	326T	GT0177	√	4,724	326TTDBD6030	507	575	47	94.5	1.15	29.73	S, CN
50	1200	365T	199715.00	D	7,454	C365T11DB6	913	230/460	120.0	94.1	1.15	33.27	C, CN
50	1200	365T	B199715.00	D	7,454	C365T11DB7	756	230/460	120.0	94.1	1.15	33.27	S, CN
50	1200	365T	GT0079	√	7,454	365TTDBD6086	756	230/460	120.0	94.1	1.15	33.27	S, CN

Shaded model numbers are cast iron frame.

Continued on next page.

Green items are Premium Efficient.

D - Item to be discontinued once inventory is depleted.

*Amps at 460 volts.

♥ Note listing on inside back flap.

Specifications are subject to change without notice.

Single Phase
ODP Motors

Single Phase
TEFC Motors

Three Phase
ODP Motors

Three Phase
TEFC Motors

Inverter Duty
Motors

Severe Duty
Motors

Explosion Proof
Motors

Automotive
Duty Motors



Ultimate e®/Globetrotter® General Purpose Motors

Drip-Proof - General Purpose

Three Phase - Drip-Proof - Rigid Base

Note: When ordering catalog numbers beginning with GT, use the model number instead of the catalog number.

HP	SYN RPM 60 Hz	NEMA® Frame	Catalog Number	Stock	List Price	Model Number	App. Wgt. (lbs)	Voltage	F. L. Amps @ 230 V	% FL. Eff.	Service Factor	"C" Dim. (Inches)	♥Notes
60	3600	326TS	199716.00	D	6,102	C326T34DB8	679	230/460	134.0	93.6	1.15	28.23	C, CN
60	3600	326TS	B199716.00	D	6,102	C326T34DB9	522	230/460	136.0	93.6	1.15	28.23	S, CN
60	3600	326TS	GT0080	√	6,102	326TSTDBD6001	522	230/460	136.0	93.6	1.15	28.23	S, CN
60	1800	364T	199717.00	D	5,615	C364T17DB8	871	230/460	139.0	95.0	1.15	31.69	C, CN
60	1800	364T	B199717.00	D	5,615	C364T17DB9	677	230/460	140.0	95.0	1.15	31.69	S, CN
60	1800	364T	GT0081	√	5,615	364TTDBD6060	677	230/460	140.0	95.0	1.15	31.69	S, CN
60	1800	364T	GT0181	√	5,615	364TTDBD6030	677	575	56	95.0	1.15	31.69	S, CN
60	1200	404T	199718.00	D	8,970	C404T11DB7	1208	230/460	144.0	94.5	1.15	37.20	C, CN
60	1200	404T	B199718.00	D	8,970	C404T11DB7	1146	230/460	141.0	94.5	1.15	37.20	C, CN
60	1200	404T	GT0041A	√	8,970	404TTDCD6086	1146	230/460	141.0	94.5	1.15	37.20	C, MX
75	3600	364TS	199719.00	D	8,060	C364T34DB5	1200	230/460	166.0	93.6	1.15	29.57	C, CN
75	3600	364TS	B199719.00	D	8,060	C364T34DB6	706	230/460	172.0	93.6	1.15	29.57	S, CN
75	3600	364TS	GT0083	√	8,060	364TSTDBD6001	706	230/460	172.0	93.6	1.15	29.57	S, CN
75	1800	365T	199720.00	D	6,726	C365T17DB8	993	230/460	174.0	95.0	1.15	33.27	C, CN
75	1800	365T	B199720.00	D	6,726	C365T17DB9	780	230/460	172.0	95.0	1.15	33.27	S, CN
75	1800	365T	GT0084	√	6,726	365TTDBD6060	780	230/460	172.0	95.0	1.15	33.27	S, CN
75	1800	365T	GT0184	√	6,726	365TTDBD6030	780	575	68.5	95.0	1.15	33.27	S, CN
75	1200	405T	199721.00	D	11,025	C405T11DB8	1287	230/460	180.0	94.5	1.15	38.78	C, CN
75	1200	405T	B199721.00	D	11,025	C405T11DB9	1268	230/460	174.0	94.5	1.15	38.78	C, CN
75	1200	405T	GT0044A	√	11,025	405TTDCD6081	1268	230/460	174.0	94.5	1.15	38.78	C, MX
100	3600	365TS	199722.00	D	9,864	C365T34DB7	930	230/460	222.0	93.6	1.15	31.14	C, CN
100	3600	365TS	B199722.00	D	9,864	C365T34DB8	728	230/460	227.0	93.6	1.15	31.14	S, CN
100	3600	365TS	GT0086	√	9,864	365TSTDBD6001	728	230/460	227.0	93.6	1.15	31.14	S, CN
100	1800	404T	199723.00	D	8,769	C404T17DB8	1265	230/460	226.0	95.4	1.15	37.20	C, CN
100	1800	404T	B199723.00	D	8,769	C404T17DB9	1219	230/460	228.0	95.4	1.15	37.20	C, CN
100	1800	404T	GT0046A	√	8,769	404TTDCD6060	1219	230/460	228.0	95.4	1.15	37.20	C, MX
100	1800	404T	GT0146	√	8,769	404TTDCD6030	1219	575	91.0	95.4	1.15	37.20	C, CN
100	1200	444T	199724.00	D	13,687	444T11DB6	1666	230/460	232.0	95.0	1.15	44.57	C, CN
100	1200	444T	B199724.00	D	13,687	C444T11DB7	1760	230/460	232.0	95.0	1.15	44.57	C, CN
100	1200	444T	GT0047A	√	13,687	444TTDCD6077	1760	230/460	232.0	95.0	1.15	44.57	C, MX

Shaded model numbers are cast iron frame.

Continued on next page.

Green items are Premium Efficient.

♥ Note listing on inside back flap.

D - Item to be discontinued once inventory is depleted.

Specifications are subject to change without notice.

*Amps at 460 volts.



Ultimate e®/Globetrotter® General Purpose Motors

Drip-Proof - General Purpose

Tech Information

Single Phase
ODP Motors

Single Phase
TEFC Motors

Three Phase
ODP Motors

Three Phase
TEFC Motors

Inverter Duty
Motors

Severe Duty
Motors

Explosion Proof
Motors

Automotive
Duty Motors

Three Phase - Drip-Proof - Rigid Base

Note: When ordering catalog numbers beginning with GT, use the model number instead of the catalog number.

HP	SYN RPM 60 Hz	NEMA® Frame	Catalog Number	Stock	List Price	Model Number	App. Wgt. (lbs)	Voltage	F. L. Amps @ 230 V	% F.L. Eff.	Service Factor	"C" Dim. (Inches)	♥Notes
125	3600	404TS	199725.00	D	11,800	C404T34DB5	1151	460	138	94.1	1.15	35.45	C, CN
125	3600	404TS	B199725.00	D	11,800	C404T34DB6	1190	460	139	94.1	1.15	35.45	C, CN
125	3600	404TS	GT0048A	✓	11,800	404TTDCCD6001	1190	460	139	94.1	1.15	35.45	C, MX
125	1800	405T	199726.00	D	11,099	C405T17DB8	1363	460	140	95.4	1.15	38.78	C, CN
125	1800	405T	B199726.00	D	11,099	C405T17DB9	1303	460	142	95.4	1.15	38.78	C, CN
125	1800	405T	GT0049A	✓	11,099	405TTDCCD6060	1395	460	142	95.4	1.15	38.78	C, MX
125	1800	405T	GT0149	✓	11,099	405TTDCCD6030	1395	575	113	95.4	1.15	38.78	C, CN
125	1200	445T	199727.00	D	17,961	C445T11DB8	1815	460	145	95.0	1.15	44.57	C, CN
125	1200	445T	B199727.00	D	17,961	C445T11DB9	1815	460	145	95.0	1.15	44.57	C, CN
125	1200	445T	GT0050A	✓	17,961	445TTDCCD6076	1815	460	145	95.0	1.15	44.57	C, MX
150	3600	405TS	199728.00	D	13,807	C405T34DB4	1240	460	164	94.1	1.15	35.45	C, CN
150	3600	405TS	B199728.00	D	13,807	C405T34DB5	1149	460	165	94.1	1.15	35.45	C, CN
150	3600	405TS	GT0051A	✓	13,807	405TTDCCD6007	1149	460	165	94.1	1.15	35.45	C, MX
150	1800	444T	199729.00	D	14,901	C444T17DB7	1843	460	168	95.8	1.15	44.57	C, CN
150	1800	444T	B199729.00	D	14,901	C444T17DB8	1786	460	168	95.8	1.15	44.57	C, CN
150	1800	444T	GT0052A	✓	14,901	444TTDCCD6060	1786	460	168	95.8	1.15	44.57	C, MX
150	1800	444T	GT0152	✓	14,901	444TTDCCD6030	1786	575	134	95.8	1.15	44.57	C, CN
150	1200	447T	199730.00	D	18,469	C447T11DB3	2021	460	172	95.4	1.15	49.69	C, CN
150	1200	447T	B199730.00	D	18,469	C447T11DB4	2021	460	173	95.4	1.15	49.69	C, CN
150	1200	447T	GT0053A	✓	18,469	447TTDCCD6077	2021	460	173	95.4	1.15	49.69	C, MX
200	3600	444TS	199731.00	D	23,324	C444T34DB2	1880	460	215	95.0	1.15	40.83	C, CN
200	3600	444TS	B199731.00	D	21,479	C444T34DB3	1946	460	215	95.0	1.15	40.83	C, CN
200	3600	444TS	GT0054A	✓	21,479	444TTDCCD6003	1946	460	215	95.0	1.15	40.83	C, MX
200	1800	445T	199732.00	D	20,304	C445T17DB18	2069	460	220	95.8	1.15	44.57	C, CN
200	1800	445T	B199732.00	D	18,698	C445T17DB19	2017	460	223	95.8	1.15	44.57	C, CN
200	1800	445T	GT0055A	✓	18,698	445TTDCCD6060	2017	460	223	95.8	1.15	44.57	C, MX
200	1800	445T	GT0155	✓	18,698	445TTDCCD6030	2017	575	178	95.8	1.15	44.57	C, CN
200	1200	449T	199733.00	D	25,571	C449T11DB1	2340	460	228	95.4	1.15	49.96	C, CN
200	1200	449T	B199733.00	D	23,548	C449T11DB2	2335	460	230	95.4	1.15	49.96	C, CN
200	1200	449T	GT0056A	✓	23,548	449TTDCCD6076	2335	460	230	95.4	1.15	49.96	C, MX

Shaded model numbers are cast iron frame.

♥ Note listing on inside back flap.

Specifications are subject to change without notice.

Green items are Premium Efficient.

D - Item to be discontinued once inventory is depleted.

*Amps at 460 volts.



Ultimate e®/Globetrotter® General Purpose Motors

Drip-Proof - General Purpose

Three Phase - Drip-Proof - C Face With Base

Note: When ordering catalog numbers beginning with GT, use the model number instead of the catalog number.

HP	SYN RPM 60 Hz	NEMA® Frame	Catalog Number	Stock	List Price	Model Number	App. Wgt. (lbs)	Voltage	F. L. Amps @ 230 V	% F.L. Eff.	Service Factor	"C" Dim. (Inches)	♥Notes
3	1800	182TC	199735.00	D	989	C182T17DK42	88	230/460	7.6	90.2	1.15	14.45	S, CN
3	1800	182TC	B199735.00	D	911	C182T17DK45	88	230/460	8.0	89.5	1.15	13.00	S, CN
3	1800	182TC	GT0210	✓	911	182TTDBD6028	88	230/460	8.0	89.5	1.15	13.00	S, CN
3	1800	182TC	GT2110	✓	911	182TTDBD6035	88	575	3.2	89.5	1.15	13.00	S, CN
5	3600	182TC	199736.00	D	1,038	C182T34DK18	75	230/460	12.4	87.5	1.15	14.45	S, CN
5	3600	182TC	B199736.00	D	956	C182T34DK21	75	230/460	12.6	86.5	1.15	13.00	S, CN
5	3600	182TC	GT0212	✓	956	182TTDBD6003	75	230/460	12.6	86.5	1.15	13.00	S, CN
5	1800	184TC	199737.00	D	1,163	C184T17DK42	111	230/460	12.8	89.5	1.15	15.46	S, CN
5	1800	184TC	B199737.00	D	1,071	C184T17DK45	111	230/460	12.6	89.5	1.15	14.00	S, CN
5	1800	184TC	GT0213	✓	1,071	184TTDBD6028	111	230/460	12.6	89.5	1.15	14.00	S, CN
5	1800	184TC	GT2113	✓	1,071	184TTDBD6035	111	575	5.1	89.5	1.15	14.00	S, CN
7 1/2	3600	184TC	199738.00	D	1,262	C184T34DK26	88	230/460	18.0	88.5	1.15	15.46	S, CN
7 1/2	3600	184TC	B199738.00	D	1,162	C184T34DK29	88	230/460	17.8	88.5	1.15	14.00	S, CN
7 1/2	3600	184TC	GT0215	✓	1,162	184TTDBD6003	88	230/460	17.8	88.5	1.15	14.00	S, CN
7 1/2	1800	213TC	199739.00	D	1,341	C213T17DK45	144	230/460	19.0	91.7	1.15	18.10	S, CN
7 1/2	1800	213TC	B199739.00	D	1,341	C213T17DK48	152	230/460	19.8	91.0	1.15	18.10	S, CN
7 1/2	1800	213TC	GT0216	✓	1,341	213TTDBD6028	152	230/460	19.8	91.7	1.15	18.10	S, CN
7 1/2	1800	213TC	GT2116	✓	1,341	213TTDBD6035	152	575	7.9	91.7	1.15	18.10	S, CN
10	3600	213TC	B199740.00	D	1,551	C213T34DK50	140	230/460	23.6	89.5	1.15	18.10	S, CN
10	3600	213TC	GT0218	✓	1,551	213TTDBD6003	123	230/460	23.6	89.5	1.15	18.10	S, CN
10	1800	215TC	B199741.00	D	1,572	C215T17DK48	150	230/460	25.4	91.7	1.15	17.52	S, CN
10	1800	215TC	GT0219	✓	1,572	215TTDBD6028	150	230/460	25.4	91.7	1.15	17.52	S, CN
10	1800	215TC	GT2119	✓	1,572	215TTDBD6035	150	575	10.2	91.7	1.15	17.52	S, CN
15	3600	215TC	B199742.00	D	2,192	C215T34DK49	172	230/460	36.0	90.2	1.15	18.10	S, CN
15	3600	215TC	GT0221	✓	2,192	215TTDBD6003	145	230/460	36.0	91.0	1.15	18.10	S, CN
15	1800	254TC	199743.00	D	2,555	C254T17DK11	351	230/460	36.5	93.0	1.15	23.00	C, CN
15	1800	254TC	B199743.00	D	2,428	C254T17DK14	285	230/460	36.5	93.0	1.15	23.14	S, CN
15	1800	254TC	GT0259	✓	2,428	254TTDBD6028	293	230/460	36.5	93.0	1.15	23.14	S, CN
15	1800	254TC	GT2159	✓	2,428	254TTDBD6035	293	575	14.6	93.0	1.15	23.14	S, CN
20	3600	254TC	199744.00	D	2,765	C254T34DK7	322	230/460	45.0	91.7	1.15	23.00	C, CN
20	3600	254TC	B199744.00	D	2,628	C254T34DK10	280	230/460	48.0	91.0	1.15	23.14	S, CN
20	3600	254TC	GT0261	✓	2,628	254TTDBD6003	280	230/460	48.0	91.7	1.15	23.14	S, CN
20	1800	256TC	199745.00	D	3,069	C256T17DK7	385	230/460	48.0	93.0	1.15	24.60	C, CN
20	1800	256TC	B199745.00	D	2,915	C256T17DK10	340	230/460	48.5	93.0	1.15	24.72	S, CN
20	1800	256TC	GT0262	✓	2,915	256TTDBD6028	313	230/460	48.5	93.0	1.15	24.72	S, CN
20	1800	256TC	GT2162	✓	2,915	256TTDBD6035	313	575	19.4	93.0	1.15	24.72	S, CN
25	3600	256TC	B199746.00	D	3,082	C256T34DK10	295	230/460	59.5	91.7	1.15	24.72	S, CN
25	3600	256TC	GT0264	✓	3,082	256TTDBD6003	290	230/460	59.5	91.7	1.15	24.72	S, CN
25	1800	284TC	199747.00	D	3,569	C284T17DK5	508	230/460	62.0	93.6	1.15	25.71	C, CN
25	1800	284TC	B199747.00	D	3,390	C284T17DK8	400	230/460	62.0	93.6	1.15	25.71	S, CN
25	1800	284TC	GT0265	✓	3,390	284TTDBD6028	342	230/460	62.0	93.6	1.15	25.71	S, CN
25	1800	284TC	GT2165	✓	3,390	284TTDBD6035	342	575	24.8	93.6	1.15	25.71	S, CN

Shaded model numbers are cast iron frame.

♥ Note listing on inside back flap. Specifications are subject to change without notice.

Green items are Premium Efficient.

D - Item to be discontinued once inventory is depleted.



Ultimate e®/Globetrotter® General Purpose Motors

Drip-Proof - General Purpose

Tech Information

Single Phase
ODP Motors

Single Phase
TEFC Motors

Three Phase
ODP Motors

Three Phase
TEFC Motors

Inverter Duty
Motors

Severe Duty
Motors

Explosion Proof
Motors

Automotive
Duty Motors

Three Phase - Drip-Proof - C Face With Base

Note: When ordering catalog numbers beginning with GT, use the model number instead of the catalog number.

HP	SYN RPM 60 Hz	NEMA® Frame	Catalog Number	Stock	List Price	Model Number	App. Wgt. (lbs)	Voltage	F. L. Amps @ 230 V	% F.L. Eff.	Service Factor	"C" Dim. (Inches)	♥Notes
30	3600	284TSC	199748.00	D	3,990	C284T34DK3	485	230/460	66.5	91.7	1.15	24.41	C, CN
30	3600	284TSC	B199748.00	D	3,790	C284T34DK6	370	230/460	71.5	91.7	1.15	24.34	S, CN
30	3600	284TSC	GT0269	✓	3,790	284TSTDBD6003	370	230/460	71.5	91.7	1.15	24.34	S, CN
30	1800	286TC	199749.00	D	4,310	C286T17DK6	545	230/460	73.0	94.1	1.15	27.09	C, CN
30	1800	286TC	B199749.00	D	4,094	C286T17DK9	460	230/460	72.5	94.1	1.15	27.09	S, CN
30	1800	286TC	GT0267	✓	4,094	286TTDBD6028	448	230/460	72.5	94.1	1.15	27.09	S, CN
30	1800	286TC	GT2167	✓	4,094	286TTDBD6035	448	575	29.0	94.1	1.15	27.09	S, CN
40	3600	286TSC	199750.00	D	4,790	C286T34DK3	529	230/460	89.0	92.4	1.15	25.79	C, CN
40	3600	286TSC	B199750.00	D	4,637	C286T34DK6	529	230/460	93.0	92.4	1.15	25.72	S, CN
40	3600	286TSC	GT0272	✓	4,637	286TSTDBD6003	529	230/460	93.0	92.4	1.15	25.72	S, CN
40	1800	324TC	199751.00	D	5,019	C324T17DK11	644	230/460	95.0	94.5	1.15	28.55	C, CN
40	1800	324TC	B199751.00	D	5,019	C324T17DK14	482	230/460	95.5	94.1	1.15	28.55	S, CN
40	1800	324TC	GT0273	✓	5,019	324TTDBD6028	482	230/460	95.5	94.5	1.15	28.55	S, CN
40	1800	324TC	GT2173	✓	5,019	324TTDBD6035	482	575	38.2	94.5	1.15	28.55	S, CN
50	3600	324TSC	199752.00	D	5,829	C324T34DK3	644	230/460	114.0	93.0	1.15	27.05	C, CN
50	3600	324TSC	B199752.00	D	5,829	C324T34DK6	489	230/460	115.0	93.0	1.15	27.05	S, CN
50	3600	324TSC	GT0276	✓	5,829	324TSTDBD6003	489	230/460	115.0	93.0	1.15	27.05	S, CN
50	1800	326TC	199753.00	D	5,773	C326T17DK5	700	230/460	118.0	94.5	1.15	29.73	C, CN
50	1800	326TC	B199753.00	D	5,773	C326T17DK8	537	230/460	118.0	94.5	1.15	29.73	S, CN
50	1800	326TC	GT0277	✓	5,773	326TTDBD6028	537	230/460	118.0	94.5	1.15	29.73	S, CN
50	1800	326TC	GT2177	✓	5,773	326TTDBD6035	537	575	47.2	94.5	1.15	29.73	S, CN
60	3600	326TSC	199754.00	D	6,984	C326T34DK1	717	230/460	134.0	93.6	1.15	28.23	C, CN
60	3600	326TSC	B199754.00	D	6,984	C326T34DK2	552	230/460	136.0	93.6	1.15	28.23	S, CN
60	3600	326TSC	GT0280	✓	6,984	326TSTDBD6003	552	230/460	136.0	93.6	1.15	28.23	S, CN
60	1800	364TC	199755.00	D	7,743	C364T17DK5	925	230/460	139.0	95.0	1.15	31.69	C, CN
60	1800	364TC	B199755.00	D	7,743	C364T17DK6	707	230/460	140.0	95.0	1.15	31.69	S, CN
60	1800	364TC	GT0281	✓	7,743	364TTDBD6028	707	230/460	140.0	95.0	1.15	31.69	S, CN
75	3600	364TSC	199756.00	D	9,184	C364T34DK1	866	230/460	166.0	93.6	1.15	29.57	C, CN
75	3600	364TSC	B199756.00	D	9,184	C364T34DK2	866	230/460	172.0	93.6	1.15	29.57	S, CN
75	3600	364TSC	GT0283	✓	9,184	364TSTDBD6003	866	230/460	172.0	93.6	1.15	29.57	S, CN
75	1800	365TC	199816.00	D	8,159	C365T17DK3	1034	230/460	174.0	95.0	1.15	33.27	C, CN
75	1800	365TC	B199816.00	D	8,159	C365T17DK5	810	230/460	172.0	95.0	1.15	33.27	S, CN
75	1800	365TC	GT0284	✓	8,159	365TTDBD6028	810	230/460	172.0	95.0	1.15	33.27	S, CN
100	3600	365TSC	199758.00	D	11,235	C365T34DK1	983	230/460	222.0	93.6	1.15	31.14	C, CN
100	3600	365TSC	B199758.00	D	11,235	C365T34DK2	758	230/460	227.0	93.6	1.15	31.14	S, CN
100	3600	365TSC	GT0286	✓	11,235	365TSTDBD6003	758	230/460	227.0	93.6	1.15	31.14	S, CN
100	1800	404TC	199759.00	D	11,040	C404T17DK3	1325	230/460	226.0	95.4	1.15	37.20	C, CN
100	1800	404TC	B199759.00	D	11,040	C404T17DK4	1249	230/460	228.0	95.4	1.15	37.20	C, CN
100	1800	404TC	GT0246	✓	11,040	404TTDCD6028	1249	230/460	228.0	95.4	1.15	37.20	C, CN

Shaded model numbers are cast iron frame.

Green items are Premium Efficient.

D - Item to be discontinued once inventory is depleted.

♥ Note listing on inside back flap.

Specifications are subject to change without notice.



Three Phase ODP Motors

F2 Conduit Box Mount Motors - General Purpose

Three Phase Automatic Protected Motors

Three Phase - ODP - Rigid Base

HP	SYN RPM 60 Hz	NEMA® Frame	Catalog Number	Stock	List Price	Model Number	App. Wgt. (lbs)	Voltage	F. L. Amps @ 230 V	Service Factor	% FL Eff.	"C" Dim. (Inches)	♥Notes
3	1800	182T	132232.00	√	980	C182T17DB57	75	230/460	8.0	1.15	89.5	13.19	S, MX
5	1800	184T	132233.00	C/A	1,087	C184T17DB77	83	230/460	12.6	1.15	89.5	14.19	S, MX
7 1/2	1800	213T	140831.00	C/A	1,364	C213T17DB14	133	230/460	20.6	1.25	91.0	16.25	S, MX

Green items are Premium Efficient.

C/A - Check Availability.

♥ Note listing on inside back flap.

Specifications are subject to change without notice.

Three Phase - Automatic Overload Protected Motors

General Specifications:

- General purpose
- Automatic reset protection
- Not for use with variable frequency inverters



Three Phase - Drip-Proof - Rigid Base

HP	SYN RPM 60 Hz	NEMA Frame	Catalog Number	Stock	List Price	Model Number	App. Wgt. (lbs)	Voltage	Over- load Prot.	F. L. Amps @ 230 V	Service Factor	% FL Eff.	"C" Dim. (Inches)	♥Notes
3	1800	182T	132234.00	√	1,162	U182T17DB61	76	230/460	Auto	8.0	1.15	89.5	13.19	S, MX
5	1800	184T	132235.00	C/A	1,305	U184T17DB82	88	230/460	Auto	12.6	1.15	89.5	14.19	S, MX

Green items are Premium Efficient.

C/A - Check Availability.

♥ Note listing on inside back flap

Specifications are subject to change without notice

What **if...**

your motor was built
to go the distance?

marathon®



For reliable performance in heavy-duty industrial applications, nothing beats the Globetrotter® motor

Regal has launched new and improved designs for the Globetrotter series of motors. The redesigned Globetrotter motor now features:

- IP55 enclosure protection
- Division 2 / Zone 2, Class I (gases), Groups A, B, C, D
- Dual Frame mounting holes
- F1 to F2 mounting capability
- Dual branded nameplates displaying both LEESON and Marathon brands

These additional features make this motor ready for tough environments and more versatile than ever.

www.regalbeloit.com
Creating a better tomorrow™ ...

REGAL®

Three Phase Motors Totally Enclosed

Three Phase Motors – General Purpose – Totally Enclosed

208-230/460V & 460V Rigid Mount – 1/4 HP – 400 HP

Steel Frame – Cast Iron Frame – Aluminum Frame

Ultimate e® /
Globetrotter®
Motors Motors
see pages 66-74



- Standard, EAct and premium efficient ratings
- Inverter-rated
- Class B insulation systems – 42, 48 and 56 frames
- Class F insulation system – 140 frame and higher
- Shielded ball bearings for direct coupled applications
(Contact your local sales office for belted load applications)
- Continuous duty
- Dynamically balanced rotors
- EAct efficient motors
- Premium efficient motors
- Torques exceed NEMA® performance standards
- UL recognized and CSA certified
- WATTSaver®e premium efficient motors
- Ultimate e / Globetrotter premium efficient motors



Applications:

For use where exposure to water, dust and corrosives exists. Ideally suited for use on pumps, compressors, fans, blowers, conveyors, machine tools and other industrial applications.

LEESON® Cast Iron WATTSaver e Motors	LEESON Ultimate e / Globetrotter
Standard Features	
3 HP - 250 HP	1.5 HP - 200 HP
N/C Thermostats	N/A
IRIS® Inverter Insulation System	Standard Insulation System
10:1 Constant Torque Operation	10:1 Constant Torque Operation
Ring Terminals on Leads	N/A
TEFC Enclosure	TEFC Enclosure
ODP Enclosure	ODP Enclosure
Chemical Resistant Paint	Enamel Paint
Cast Iron Conduit Box	Stamped Steel Conduit Box
Options	
C-Face Kits	C-Face Kits
D-Flange Kits	N/A
Encoder Mounting Provisions	N/A
Blower Kit Option	N/A
F-2 Mounting by re-assembly	F-2 Mounting by re-assembly
213-5T and 254-6T Frame Brake Kits	N/A
Cast Iron Fan Guards	N/A
SGR mounting provisions	SGR mounting provisions

Three Phase Motors

Totally Enclosed Fan Cooled

General Purpose - Standard and Premium Efficient - Three Phase Motors

Tech Information

Single Phase
ODP Motors

Single Phase
TEFC Motors

Three Phase
ODP Motors

Three Phase
TEFC Motors

Inverter Duty
Motors

Severe Duty
Motors

Explosion Proof
Motors

Automotive
Duty Motors

Three Phase - TEFC - Rigid Base

HP	SYN RPM 60 Hz	NEMA® Frame	Catalog Number	Stock	List Price	Model Number	App. Wgt. (lbs)	Voltage	F. L. Amps @ 230 V	% FL. Eff.	Service Factor	"C" Dim. (Inches)	♥Notes
1/4	1800	48	101646.00	√	413	C4T17FB9	15	208-230/460	1.4	58.0	1.15	9.31	S, MX
1/4	1800	48	LM24929	√	473	SPF4S0.25T61	14	230/460	1.3	62.0	1.15	9.59	S, MX
1/3	3600	48	102684.00	√	415	C4T34FB5	21	208-230/460	1.4	68.0	1.00	8.81	S, US
1/3	1800	48	101647.00	√	495	C4T17FB10	16	208-230/460	1.6	64.3	1.15	9.31	S, MX
1/3	1800	S56	101079.00	√	454	C4T17FH6	22	208-230/460	1.6	64.3	1.15	9.69	S, MX
1/3	1800	S56	LM24107	C/A	486	SRF4S0.33T61	16	230/460	1.8	65.5	1.15	10.22	S, MX
1/3	1800	S56	103019.00	√	663	C4T17FH12	24	208-230/460	1.3	77.0	1.25	10.19	S, MX, T
1/3	1200	56	110441.00	√	714	C6T11FB5	26	208-230/460	1.6	65.0	1.15	10.48	S, US
1/2	3600	48	100905.00	√	487	C4T34FB2	21	208-230/460	1.8	75.0	1.00	9.56	S, US
1/2	3600	56	LM24165	C/A	502	SRF2S0.5T61	26	230/460	2.2	66.0	1.15	11.82	S, US
1/2	1800	48	100961.00	√	580	C4T17FB4	18	208-230/460	2.0	73.0	1.15	9.56	S, MX
1/2	1800	S56	100913.00	√	519	C4T17FH1	18	208-230/460	2.0	73.0	1.15	9.94	S, MX
1/2	1800	S56	LM24073	√	555	SRF4S0.5T61	18	230/460	2.2	70.0	1.15	10.72	S, MX
1/2	1800	S56	103020.00	√	703	C4T17FH13	27	208-230/460	1.8	77.0	1.25	10.69	S, MX, T
1/2	1200	56	110353.00	√	769	C6T11FB2	29	208-230/460	2.4	70.0	1.15	10.98	S, US
1/2	1200	56	LM24105	√	804	SRF6S0.5T61	25	230/460	2.7	68.0	1.15	11.82	S, MX
1/2	900	56	114618.00	√	1,147	C6T8FB11	30	208-230/460	3.0	68.0	1.15	11.48	S, US
1/2	900	143T	LM24291	C/A	1,197	SSF8S0.5T61	35	230/460	2.6	66.0	1.15	13.37	S, US
3/4	3600	48	100960.00	√	535	C4T34FB3	24	208-230/460	2.4	77.0	1.00	9.81	S, US
3/4	3600	56	110313.00	√	535	C6T34FB2	25	208-230/460	2.4	75.5	1.15	10.48	S, US
3/4	3600	56	LM24133	√	555	SRF2S0.75T61	24	230/460	3.2	74.0	1.15	11.82	S, US
3/4	1800	56	110034.00	√	553	C6T17FB1	25	208-230/460	2.8	77.0	1.15	10.48	S, US
3/4	1800	S56	LM24075	√	597	SRF4S0.75T61	22	230/460	2.8	75.5	1.15	11.22	S, MX
3/4	1800	56	116739.00	√	738	C6T17FB152	31	208-230/460	2.4	81.5	1.25	11.48	S, US, T
3/4	1200	56	110275.00	√	769	C6T11FB3	36	208-230/460	3.0	75.5	1.15	11.48	S, US
3/4	1200	56	LM24136	C/A	823	SRF6S0.75T61	27	230/460	3.2	74.0	1.15	12.32	S, MX
3/4	1200	143T	121009.00	√	785	C143T11FB2	31	208-230/460	3.0	75.5	1.15	12.43	S, US
3/4	1200	143T	LM24103	√	823	SSF6S0.75T61	32	230/460	3.2	74.0	1.15	12.37	S, MX
3/4	900	145T	121199.00	√	1,323	C145T8FB5	41	208-230/460	3.2	72.0	1.15	12.68	S, US
3/4	900	145T	LM24276	√	1,370	SSF8S0.75T61	47	230/460	4.8	70.0	1.15	14.87	S, US
1	3600	56	110145.00	√	625	C6T34FB1	24	230/460	3.2	77.0	1.15	10.48	S, US
1	3600	56	116129.00	√	828	C6T34FB49	27	230/460	2.8	80.0	1.25	10.98	S, US, T
1	3600	56	LM34141	√	756	SRF2B1T61	15	230/460	3.0	78.5	1.15	11.82	S, US
1	1800	56H	116757.00	√	908	C6T17FB151	32	230/460	3.2	85.5	1.25	12.48	S, US, T
1	1800	56	LM34139	√	908	SRF4B1T61	42	230/460	3.3	85.5	1.15	14.33	S, MX
1	1800	143T	120921.00	√	908	C143T17FB13	39	230/460	3.2	85.5	1.25	12.93	S, US, T
1	1800	143T	LM32796	√	897	SSF4B1T61	40	230/460	3.2	85.5	1.25	12.93	S, MX
1	1800	143T	171640.60	√	1,002	C145T17FB25	61	230/460	3.2	85.5	1.15	13.46	C, CN, T
1	1800	143T	LM24102	√	997	CCN4BIT61	56	230/460	3.0	85.5	1.25	10.43	C, US
1	1200	56	119395.00	√	894	C6T11FB28	40	208-230/460	3.8	82.5	1.15	12.98	S, US
1	1200	56H	LM34140	√	894	SRF6B1T61	48	230/460	3.8	82.5	1.15	15.33	S, MX
1	1200	145T	121520.00	√	1,073	C145T11FB20	45	230/460	3.8	82.5	1.25	13.43	S, US, T
1	1200	145T	LM33121	√	1,028	SSF6B1T61	45	230/460	3.8	82.5	1.15	14.87	S, MX
1	1200	145T	171643.60	√	1,179	C145T11FB25	58	208-230/460	3.6	82.5	1.25	13.46	C, CN, T
1	900	182T	132428.00	√	1,710	C182T8FB14	40	230/460	4.2	75.5	1.15	12.97	S, MX

Shaded model numbers are cast iron frame.

Continued on next page.

Green items are Premium Efficient.

♥ Note listing on inside back flap.

C/A - Check Availability.

Specifications are subject to change without notice.

Note T - N/C Tstats



Three Phase Motors

Totally Enclosed Fan Cooled

General Purpose - Premium Efficient - Three Phase Motors

Three Phase - TEFC - Rigid Base

HP	SYN RPM 60 Hz	NEMA® Frame	Catalog Number	Stock	List Price	Model Number	App. Wgt. (lbs)	Voltage	F. L. Amps @ 230 V	% F.L. Eff.	Service Factor	"C" Dim. (Inches)	♥Notes
1 1/2	3600	56	116758.00	√	939	C6T34FB50B	33	230/460	4.0	84.0	1.25	11.98	S, US, T
1 1/2	3600	143T	121518.00	√	939	C143T34FB1	40	230/460	4.0	84.0	1.25	12.93	S, US, T
1 1/2	3600	143T	LM33122	√	939	SSF2B1.5T61	39	230/460	4.0	84.0	1.25	13.37	S, US
1 1/2	3600	143T	171642.60	√	1,037	C143T34FB5	49	230/460	4.0	84.0	1.15	13.46	C, CN, T
1 1/2	1800	56	116759.00	√	927	C6T17FB150	43	230/460	4.8	86.5	1.25	12.98	S, US, T
1 1/2	1800	56H	LM34142	√	927	SRF4B1.5T61	40	230/460	4.6	86.5	1.15	14.83	S, MX
1 1/2	1800	145T	120922.00	√	943	C145T17FB33	48	230/460	4.8	86.5	1.15	13.43	S, US, T
1 1/2	1800	145T	LM33123	√	943	SSF4B1.5T61	49	230/460	4.8	86.5	1.25	13.43	S, MX
1 1/2	1800	145T	171646.60	√	1,034	C145T17FB78	69	208-230/460	4.8	87.5	1.15	13.46	C, CN, T
1 1/2	1800	145T	LM34263	√	1,118	CCF4B1.5T61	66	230/460	4.6	86.5	1.00	13.99	C, US
1 1/2	1200	182T	131980.00	√	1,563	C182T11FB9	89	230/460	5.6	87.5	1.15	14.46	S, MX, T
1 1/2	1200	182T	LM33561	√	1,318	AAF6B1.5T61AP26	73	230/460	5.2	87.5	1.25	14.96	A, MX
1 1/2	900	184T	132429.00	√	2,033	C184T8FB7	72	230/460	5.7	78.9	1.15	14.96	S, MX
1 1/2	900	184T	LM33562	√	1,928	AAF8P1.5T61AP26	80	230/460	5.7	78.9	1.15	14.96	A, MX
2	3600	56	116760.00	√	1,027	C6T34FB51	44	230/460	4.8	86.5	1.25	12.98	S, US, T
2	3600	145T	121519.00	√	1,027	C145T34FB33	47	230/460	4.8	86.5	1.25	13.43	S, US, T
2	3600	145T	LM33124	√	1,027	SSF2BT61	44	230/460	4.8	85.5	1.25	13.43	S, US
2	3600	145T	171648.60	√	1,130	C145T34FB37	56	230/460	4.8	85.5	1.15	13.46	C, CN, T
2	1800	56H	LM34144	√	981	SRF4B2T61	45	230/460	6.0	86.5	1.15	15.33	S, MX
2	1800	56H	116761.00	√	981	C6T17FB154	45	230/460	5.8	86.5	1.25	13.48	S, US, T
2	1800	145T	120923.00	√	981	C145T17FB32	48	230/460	5.8	86.5	1.25	14.43	S, US, T
2	1800	145T	LM33125	√	848	SSF4B2T61	47	230/460	6.5	86.5	1.15	13.93	S, MX
2	1800	145T	171647.60	√	1,077	C145T17FB79	68	208-230/460	6.0	86.5	1.15	13.46	C, CN, T
2	1800	145T	LM34264	√	1,119	CCF4B2T61	69	230/460	6.0	86.5	1.15	13.99	C, US
2	1200	184T	131981.00	√	1,592	C184T11FB20	92	230/460	6.4	88.5	1.15	14.96	S, MX, T
2	1200	184T	LM33563	√	1,367	AAF6B2T61AP26	80	230/460	6.4	88.5	1.25	14.96	A, MX
2	900	213T	141312.00	C/A	2,674	C213T8FB4	125	208-230/460	7.6	86.5	1.15	20.23	S, MX
2	900	213T	LM34145	√	2,710	AF8B2T61	142	230/460	10.0	86.5	1.15	18.84	A, US
3	3600	56H	119396.00	√	1,099	C6T34FB54	45	230/460	8.0	86.5	1.15	13.48	S, US, 6, T
3	3600	145T	121968.00	√	1,185	C145T34FB49	48	230/460	8.0	86.5	1.15	13.93	S, US, T
3	3600	182T	131985.00	√	1,275	C182T34FB72	66	230/460	7.8	86.5	1.25	13.46	S, MX, T
3	3600	182T	LM33564	√	1,623	AAF2B3T61AP26	61	230/460	7.8	86.5	1.25	14.96	A, MX
3	3600	182T	LM33262	C/A	1,275	SSF2B3T61	60	230/460	7.8	86.5	1.25	13.46	S, MX, T
3	1800	182T	131463.00	√	1,108	C182T17FB32	83	230/460	7.8	89.5	1.15	13.96	S, MX, T
3	1800	182T	LM33486	√	1,174	AAF4B3T61AP26	77	230/460	7.8	89.5	1.25	14.96	A, MX
3	1800	182T	LM32741	√	1,108	SSF4B3T61	74	230/460	7.8	89.5	1.15	13.96	S, MX
3	1800	182T	171320.60	√	1,279	C182T17FB42	108	208-230/460	8.3	90.2	1.15	16.14	C, CN, T
3	1200	213T	171378.60	√	1,813	C213T11FB1	166	208-230/460	9.4	89.5	1.15	18.19	C, CN, T
3	1200	213T	LM16030	√	1,939	AF6B3T61	98	230/460	8.8	89.5	1.25	17.34	A, US
3	1200	213T	LM34006	C/A	1,495	SSF6P3T61	113	230/460	8.8	89.5	1.15	18.73	S, MX
3	900	215T	825403.00	C/A	4,339	215TTFN16085	217	230/460	10.0	86.5	1.15	19.63	C, US

Shaded model numbers are cast iron frame.

Continued on next page.

Green items are Premium Efficient.

C/A - Check Availability

Note T - N/C T-stats

♥ Note listing on inside back flap.

Specifications are subject to change without notice.

Three Phase Motors Totally Enclosed Fan Cooled

General Purpose - Premium Efficient - Three Phase Motors

Tech Information

Single Phase
ODP Motors

Single Phase
TEFC Motors

Three Phase
ODP Motors

Three Phase
TEFC Motors

Inverter Duty
Motors

Severe Duty
Motors

Explosion Proof
Motors

Automotive
Duty Motors

Three Phase - TEFC - Rigid Base

HP	SYN RPM 60 Hz	NEMA® Frame	Catalog Number	Stock	List Price	Model Number	App. Wgt. (lbs)	Voltage	F. L. Amps @ 230 V	% FL. Eff.	Service Factor	"C" Dim. (Inches)	♥Notes
5	3600	184T	131987.00	√	1,425	C184T34FB20	88	230/460	12.0	88.5	1.25	14.96	S, MX, T
5	3600	184T	LM33565	√	1,740	AAF2B761AP26	95	230/460	12.0	88.5	1.15	14.96	A, MX
5	3600	184T	LM15869	C/A	1,817	CCF2B761	118	230/460	11.8	89.5	1.15	15.81	C, US
5	1800	184T	131464.00	√	1,219	C184T17FB42	87	230/460	12.6	89.5	1.15	14.96	S, MX, T
5	1800	184T	LM33487	√	1,372	AAF4B5T61AP26	85	230/460	12.6	89.5	1.25	14.96	A, MX
5	1800	184T	171322.60	√	1,331	C184T17FB43	112	208-230/460	12.8	89.5	1.15	16.80	C, CN, T
5	1200	215T	171379.60	√	2,019	C215T11FB1	176	208-230/460	14.4	89.5	1.15	19.61	C, CN, T
5	1200	215T	LM16033	√	2,248	AF6B5T61	138	230/460	13.8	89.5	1.25	18.84	A, US
5	1200	215T	LM32802	√	1,937	SSF6B761	150	230/460	14.0	90.2	1.25	20.23	S, US
5	900	254T	G151355.22	√	4,669	C254T8FB5	188	208-230/460	14.4	88.3	1.15	23.19	C, CA
5	900	254T	LM32803	√	3,189	AF8P5T61	187	230/460	15.0	87.5	1.15	23.40	A, US
7 1/2	3600	213T	170158.60	√	1,872	C213T34FB42	156	208-230/460	15.0	91.0	1.15	18.19	C, CN, T
7 1/2	3600	213T	LM28968	√	2,056	AF2B75T61	98	230/460	17.8	90.2	1.25	18.84	A, US
7 1/2	3600	213T	140756.00	√	1,719	C213T34FB1	156	230/460	17.8	90.2	1.15	19.84	S, MX, T
7 1/2	1800	213T	140450.00	√	1,565	C213T17FB6	153	230/460	21.6	91.7	1.25	18.70	S, MX, T
7 1/2	1800	213T	LM32805	√	1,446	SSF4B75T61	129	230/460	19.4	91.7	1.25	20.23	S, US
7 1/2	1800	213T	LM16029	√	2,160	AF4B75T61	102	230/460	19.2	91.1	1.25	18.84	A, US
7 1/2	1800	213T	170157.60	√	1,779	C213T17FB43	158	208-230/460	18.6	91.7	1.15	18.19	C, CN, T
7 1/2	1800	213T	LM24209	√	1,844	CCF4B75T61	180	230/460	19.2	91.7	1.25	19.70	C, US
7 1/2	1200	254T	170122.60	√	2,630	C254T11FB3	259	208-230/460	22.2	91.7	1.15	23.19	C, CN, T
7 1/2	1200	254T	LM15672	√	3,303	AF6B75T61	209	230/460	19.8	91.0	1.25	23.40	A, US
7 1/2	900	256T	G151356.22	√	5,564	C256T8FB42	300	208-230/460	20.0	87.7	1.15	24.92	C, CA
7 1/2	900	256T	LM32807	√	3,772	AF8B75T61	265	230/460	23.0	86.5	1.15	25.15	A, US
10	3600	215T	140755.00	√	1,995	C215T34FB11	170	230/460	23.6	91.7	1.15	21.09	S, MX, T
10	3600	215T	LM32808	√	2,164	SSF2B10T61	172	230/460	23.6	91.7	1.15	21.48	S, US
10	3600	215T	170159.60	√	2,217	C215T34FB47	181	208-230/460	23.0	91.7	1.15	19.61	C, CN, T
10	3600	215T	LM16031	√	2,276	AF2B10T61	185	230/460	23.6	91.7	1.25	19.84	A, US
10	1800	215T	140451.00	√	1,893	C215T17FB18	161	230/460	26.8	91.7	1.25	19.70	S, MX, T
10	1800	215T	LM32809	√	1,784	SSF4B10T61	168	230/460	26.0	91.7	1.25	21.48	S, US
10	1800	215T	170140.60	√	2,124	C215T17FB43	196	208-230/460	25.0	91.7	1.15	19.61	C, CN, T
10	1800	215T	LM16032	√	2,290	AF4B10T61	160	230/460	25.0	91.7	1.25	18.84	A, US
10	1200	256T	170123.60	√	3,763	C256T11FB4	310	208-230/460	28.8	91.7	1.15	24.92	C, CN, T
10	1200	256T	LM15675	√	3,882	AF6B10T61	236	230/460	26.2	91.0	1.25	25.15	A, US
10	900	284T	G150282.22	√	6,463	C284T8FB2	346	208-230/460	30.0	90.2	1.15	26.26	C, CA
15	3600	215T	170615.60	√	2,787	C215T34FB13	223	208-230/460	35.0	91.7	1.15	19.61	C, CN, T
15	3600	254T	170062.60	√	3,012	C254T34FB4	292	208-230/460	34.5	92.4	1.15	23.19	C, CN, T
15	3600	254T	LM15670	√	3,120	AAF2B15T61	215	230/460	35.0	91.7	1.25	23.40	A, US
15	1800	254T	170066.60	√	2,874	C254T17FB10	290	208-230/460	37.0	92.4	1.15	23.19	C, CN, T
15	1800	254T	LM15671	√	2,759	AAF4B15T61	209	230/460	37.5	92.4	1.25	23.40	A, US
15	1800	254T	LM24208	√	3,119	CCF4B15T61	322	230/460	37.5	92.4	1.25	23.52	C, US
15	1200	284T	170068.60	√	5,163	C284T11FB4	380	208-230/460	40.5	92.4	1.15	26.26	C, CN, T
15	900	286T	G150261.22	√	7,101	G150261.22	480	208-230/460	40.0	91.0	1.15	27.83	C, CA
20	3600	256T	170033.60	√	3,682	C256T34FB10	332	208-230/460	46.0	92.4	1.15	24.92	C, CN, T
20	3600	256T	LM15673	√	3,638	AF2B0T61	325	230/460	47.0	92.4	1.25	25.15	A, US
20	1800	256T	170007.60	√	3,596	C256T17FB4	332	208-230/460	50.0	93.0	1.15	24.92	C, CN, T
20	1800	256T	LM15674	√	3,462	AAF4B20T61	295	230/460	48.0	93.0	1.25	25.15	A, US
20	1200	286T	170001.60	√	6,456	C286T11FB6	406	208-230/460	54.0	91.7	1.15	27.83	C, CN, T
20	900	324T	G150263.22	C/A	8,538	C324T8FB3	640	208-230/460	54.0	91.0	1.15	29.53	C, CA

Shaded model numbers are cast iron frame.

Continued on next page.

Green items are Premium Efficient.

♥ Note listing on inside back flap.

C/A - Check Availability.

Specifications are subject to change without notice.

Note T - N/C T-stats



NEMA is believed to be the trademark of National Electrical Manufacturers Corporation, and is not owned or controlled by Regal Beloit Corporation.

Three Phase Motors

Totally Enclosed Fan Cooled

General Purpose - Premium Efficient - Three Phase Motors

Three Phase - TEFC - Rigid Base

HP	SYN RPM 60 Hz	NEMA® Frame	Catalog Number	Stock	List Price	Model Number	App. Wgt. (lbs)	Voltage	F. L. Amps @ 230 V	% F.L. Eff.	Service Factor	"C" Dim. (Inches)	♥Notes
25	3600	284TS	170035.60	√	4,788	C284T34FB5	393	208-230/460	56.5	93.0	1.15	24.88	C, CN, T
25	3600	284TS	LM13960	√	5,525	AF2B25TS61Y	385	230/460	56.0	92.4	1.25	25.25	A, US
25	3600	284T	LM32811	C/A	5,525	AF2B25T61Y	433	230/460	56.0	92.4	1.25	26.38	A, US
25	1800	284T	170011.60	√	4,521	C284T17FB5	395	208-230/460	58.5	93.0	1.15	27.83	C, CN, T
25	1800	284T	LM13961	√	4,697	AF4B25T61Y	495	230/460	64.0	93.6	1.25	26.62	A, US
25	1200	324T	170003.60	√	7,556	C324T11FB3	555	208-230/460	66.0	93.6	1.15	29.53	C, CN, T
25	900	326T	G150265.22	C/A	9,956	C326T8FB2	700	208-230/460	63.0	90.3	1.15	31.02	C, CA
30	3600	286TS	170037.60	√	5,652	C286T34FB4	423	208-230/460	67.6	93.0	1.15	24.88	C, CN, T
30	3600	286T	LM32813	√	6,029	AF2B30T61Y	438	230/460	66.0	92.4	1.25	28.12	A, US
30	1800	286T	170015.60	√	5,268	C286T17FB5	442	208-230/460	70.0	94.1	1.15	27.83	C, CN, T
30	1800	286T	LM13964	√	5,391	AF4B30T61Y	426	230/460	75.0	93.6	1.25	28.12	A, US
30	1200	326T	170005.60	√	8,480	C326T11FB3	624	208-230/460	77.0	93.6	1.15	31.02	C, CN, T
40	3600	324TS	170039.60	√	7,048	C324T34FB3	510	208-230/460	90.0	92.4	1.15	28.03	C, CN, T
40	3600	324T	LM32671	C/A	9,663	SF2B40T61Y	535	230/460	88.0	93.6	1.25	28.50	S, US
40	1800	324T	170019.60	√	6,998	C324T17FB5	539	208-230/460	92.0	94.1	1.15	29.53	C, CN, T
40	1800	324T	LM13699	√	11,605	SF4B40T61Y	504	230/460	101.0	94.1	1.25	28.50	S, US
40	1800	324TS	LM32686	C/A	11,605	SF4B40TS61Y	518	230/460	101.0	94.1	1.25	27.00	S, US
40	1200	364T	170096.60	√	11,624	C364T11FB4	788	208-230/460	102.0	94.1	1.15	32.32	C, CN, T
50	3600	326TS	170041.60	√	8,561	C326T34FB4	564	208-230/460	112.0	94.1	1.15	29.53	C, CN, T
50	3600	326T	LM32669	C/A	11,530	SF2B50T61Y	480	230/460	111.0	94.1	1.25	30.00	S, US
50	1800	326T	170023.60	√	8,451	C326T17FB7	597	208-230/460	117.0	94.5	1.15	31.02	C, CN, T
50	1800	326T	LM13701	√	11,464	SF4B50T61Y	585	230/460	127.0	94.5	1.25	30.00	S, US
50	1800	326TS	LM32815	C/A	11,464	SF4B50TS61Y	570	230/460	127.0	94.5	1.25	34.50	S, US
50	1200	365T	170097.60	√	13,951	C365T11FB5	682	208-230/460	126.0	94.1	1.15	33.31	C, CN, T
60	3600	364TS	170043.60	√	12,696	C364T34FB3	758	208-230/460	136.0	94.1	1.15	30.20	C, CN, T
60	1800	364T	170027.60	√	12,019	C364T17FB6	899	208-230/460	139.0	95.4	1.15	32.32	C, CN, T
60	1800	364T	LM14809	√	15,491	SF4B60T61Y	765	230/460	144.0	95.0	1.25	31.90	S, US
60	1200	404T	170098.60	√	16,455	C404T11FB3	1035	208-230/460	142.0	94.5	1.15	36.42	C, CN, T
75	3600	365TS	170045.60	√	15,553	C365T34FB3	800	208-230/460	169.0	94.5	1.15	31.18	C, CN, T
75	1800	365T	170031.60	√	15,001	C365T17FB4	1028	208-230/460	171.0	95.8	1.15	33.31	C, CN, T
75	1800	365T	LM14811	√	15,513	SF4B75T61Y	822	230/460	178.0	95.4	1.15	32.90	S, US
75	1800	365TS	LM32672	√	15,513	SF4B75TS61Y	840	230/460	178.0	95.4	1.15	30.77	S, US
75	1200	405T	170099.60	√	17,345	C405T11FB5	995	208-230/460	176.0	95.0	1.15	37.91	C, CN, T
100	3600	405TS	170160.60	√	19,150	C449T11FB1	975	208-230/460	248.0	95.0	1.15	34.92	C, CN, T
100	1800	405T	170087.60	√	18,652	C405T17FB4	1090	208-230/460	225.0	95.4	1.15	37.91	C, CN, T
100	1800	405T	LM13940	√	18,740	SF4B100T61Y	1002	230/460	236.0	95.4	1.15	38.40	S, US
100	1800	405TS	LM32819	√	18,740	SF4B100TS61Y	1052	230/460	244.0	95.4	1.15	35.40	S, US
100	1200	444T	170256.60	√	26,049	C444T11FB6	1457	460	121.0*	95.0	1.25	42.87	C, CN, T

Shaded model numbers are cast iron frame.

Continued on next page.

Green items are Premium Efficient.

C/A - Check Availability.

Note T - N/C T-stats

* Amps at 460V

♥ Note listing on inside back flap.

Specifications are subject to change without notice.

Three Phase Motors Totally Enclosed Fan Cooled

General Purpose - Premium Efficient - Three Phase Motors

Tech Information

Single Phase
ODP Motors

Single Phase
TEFC Motors

Three Phase
ODP Motors

Three Phase
TEFC Motors

Inverter Duty
Motors

Severe Duty
Motors

Explosion Proof
Motors

Automotive
Duty Motors

Three Phase - TEFC - Rigid Base

HP	SYN RPM 60 Hz	NEMA® Frame	Catalog Number	Stock	List Price	Model Number	App. Wgt. (lbs)	Voltage	F. L. Amps @ 460 V	% FL. Eff.	Service Factor	"C" Dim. (Inches)	♥Notes
125	3600	444TS	171580.60	√	22,865	C444T34FB8	1373	460	136	95.4	1.25	39.10	C, CN, T
125	1800	444T	170369.60	√	24,765	C444T17FB5	1576	460	137	95.4	1.15	42.87	C, CN, T
125	1800	444T	LM13704	√	25,053	SF4B125T64Y	1326	460	146	96.2	1.15	41.58	S, US
125	1800	444TS	LM32820	C/A	25,053	SF4B125TS64Y	1590	460	146	96.2	1.15	37.83	S, US
125	1200	445T	170260.60	√	27,896	C445T11FB5	1596	460	155	95.4	1.15	44.88	C, CN, T
150	3600	445TS	171578.60	√	28,220	C445T34FB3	1529	460	163	95.0	1.15	41.11	C, CN, T
150	1800	445T	170371.60	√	28,335	C445T17FB8	1627	460	164	95.8	1.15	44.88	C, CN, T
150	1800	445T	LM13707	√	29,059	SF4B150T64Y	1531	460	168	96.2	1.15	43.58	S, US
150	1800	445TS	LM32679	C/A	29,059	SF4B150TS64Y	1490	460	168	96.2	1.15	39.49	S, US
150	1200	447T	171315.60	√	31,457	C447T11FB1	2230	460	186	96.2	1.15	48.05	C, CN, T
200	3600	447TS	171579.60	√	32,502	C447T34FB3	2100	460	216	95.4	1.25	44.33	C, CN, T
200	3600	445TS	LM13709	C/A	45,554	SF2B200TS64Y	1531	460	211	95.4	1.15	39.49	S, US
200	1800	447T	170352.60	√	32,453	C447T17FB8	2785	460	219	96.2	1.15	48.05	C, CN, T
200	1800	445T	LM13710	√	35,937	SF4B200T64Y	1531	460	227	96.2	1.15	43.58	S, US
200	1200	449T	171316.60	√	41,204	C449T11FB1	2542	460	241	96.2	1.15	52.80	C, CN, T
200	1200	449T	LM13711	C/A	41,658	SF6B200T64Y	1812	460	260	95.8	1.15	52.08	S, US
250	3600	449TS	LM16222	C/A	45,757	SF2P250TS64Y	2185	460	263	95.8	1.15	47.99	S, US
250	3600	447TS	LM13712	C/A	45,757	SF2B250TS64Y	1812	460	264	95.8	1.15	42.99	S, US
250	1800	449T	171516.60	√	37,539	C449T17FB11	2515	460	270	96.5	1.15	53.14	C, CN, T
250	1800	447T	LM13713	C/A	45,246	SF4B250T64Y	1812	460	282	95.4	1.15	47.08	S, US
250	1200	449T	LM34573	C/A	44,823	CC6B250T64Y	3558	460	300	95.8	1.15	51.85	C, US
300	3600	449TS	LM13715	C/A	68,510	SF2B300TS64Y	2185	460	314	95.8	1.15	47.99	S, US
300	1800	449T	171529.60	√	42,259	C449T17FB12	2593	460	325	96.2	1.15	53.07	C, CN, T
300	1800	447/449T	LM17956	√	49,530	S449F4B300T64Y	2185	460	337	96.2	1.15	52.08	S, US
300	1800	449TS	LM34098	C/A	49,530	SF4B300TS64Y	2235	460	337	96.2	1.15	47.99	S, US
350	3600	449TS	LM13719	C/A	74,600	SFB350TS64Y	2185	460	370	95.8	1.15	47.99	S, US
350	1800	449T	171530.60	√	43,583	C449T17FB13	2732	460	390	96.2	1.15	53.07	C, CN, T
350	1800	449T	LM34528	C/A	47,078	CCF4B350T64PYGB	2990	460	395	96.2	1.15	52.07	C, US
400	3600	449TS	LM34555	C/A	53,753	CCF2B400TS64YE3	2733	460	435	95.8	1.00	52.96	C, US
400	1800	449T	LM33803	C/A	61,759	CCF4B400T64YE3	3558	460	460	96.5	1.15	56.71	C, US

Shaded model numbers are cast iron frame.

♥ Note listing on inside back flap.
Specifications are subject to change without notice.

Green items are Premium Efficient.

C/A - Check Availability.
Note T - N/C T-stats



Three Phase C Face Motors

Totally Enclosed - General Purpose

Three Phase - Totally Enclosed - C Face Less Base

HP	SYN RPM 60 Hz	NEMA® Frame	Catalog Number	Stock	List Price	Model Number	App. Wgt. (lbs)	Voltage	F. L. Amps @ 230 V	% F.L. Eff.	Service Factor	"C" Dim. (Inches)	♥Notes
1/6	1800	48CZ	102662.00	√	396	C4T17FC31	16	208-230/460	0.7	71.0	1.00	9.44	S, MX
1/4	3600	48CZ	101965.00	√	518	C4T34NC11	16	208-230/460	1.0	67.0	1.00	8.81	S, US 12
1/4	1800	48CZ	101966.00	√	448	C4T17NC35	20	208-230/460	0.9	78.0	1.15	9.31	S, MX 12
1/4	1800	48CZ	101981.00	√	448	C4T17FC19	15	208-230/460	1.4	58.0	1.15	8.94	S, MX
1/4	1800	S56C	101648.00	√	439	C4T17NC28	17	208-230/460	0.9	78.0	1.15	9.56	S, MX 12
1/4	1800	S56C	101767.00	√	439	C4T17FC9	18	208-230/460	1.4	58.0	1.15	9.69	S, MX
1/4	1800	56C	LM24964	√	465	SRF4S0.25TCN61	14	230/460	1.1	71.0	1.15	11.32	S, US
1/3	3600	56C	110446.00	√	437	C6T34NC2	23	208-230/460	1.1	77.0	1.15	9.90	S, US 12
1/3	1800	48CZ	102664.00	√	456	C4T17FC30	16	208-230/460	1.6	64.3	1.15	9.19	S, MX
1/3	1800	S56C	101769.00	√	471	C4T17FC10	16	208-230/460	1.6	64.3	1.15	9.69	S, MX
1/3	1800	S56C	LM24093	√	503	SRF4S0.33TCN61	16	230/460	1.6	65.5	1.15	10.19	S, MX
1/3	1800	S56C	102863.00	√	483	C4T17NC47	19	208-230/460	1.3	77.0	1.15	9.56	S, MX 12
1/3	1800	S56C	102696.00	√	661	C4T17FC33	20	208-230/460	1.3	77.0	1.25	10.19	S, MX, T
1/3	1200	48C	101291.00	√	735	C4T11NC1	23	208-230/460	1.6	73.0	1.00	9.31	S, MX
1/3	1200	56C	113311.00	√	735	C6T11FC16	21	208-230/460	1.6	65.0	1.15	10.48	S, US
1/3	1200	56C	LM24858	√	835	SRF6S0.33TCN61	21	230/460	2.2	62.0	1.15	11.32	S, MX
1/2	3600	48C	100449.00	√	509	C4T34NC4	22	208-230/460	1.6	75.5	1.00	9.81	S, US 12
1/2	3600	56C	110144.00	√	509	C6T34NC1	28	208-230/460	1.6	82.5	1.15	10.40	S, US 12
1/2	3600	56C	114176.00	√	509	C6T34FC42	20	208-230/460	2.0	72.0	1.15	9.98	S, US
1/2	1800	48CZ	100486.00	√	575	C4T17NC11	23	208-230/460	1.6	78.0	1.00	10.31	S, MX 12
1/2	1800	48CZ	102666.00	√	550	C4T17FC32	24	208-230/460	2.0	73.0	1.15	9.69	S, MX
1/2	1800	S56C	102861.00	√	573	C4T17NC46	20	208-230/460	1.8	77.0	1.15	10.06	S, MX 12
1/2	1800	S56C	102860.00	√	550	C4T17FC40	18	208-230/460	2.0	73.0	1.15	10.19	S, MX
1/2	1800	S56C	LM24083	√	614	SRF4S0.5TCN61	18	230/460	2.2	70.0	1.15	10.69	S, MX
1/2	1800	S56C	101780.00	√	708	C4T17FC12	21	208-230/460	1.8	77.0	1.15	10.69	S, MX, T
1/2	1200	56C	110163.00	√	795	C6T11FC1	28	208-230/460	2.4	70.0	1.15	10.98	S, US
1/2	1200	56C	LM24128	√	828	SRF6S0.5TCN61	27	208-230/460	2.7	68.0	1.15	11.82	S, MX
1/2	900	143TC	LM24965	C/A	1,260	SSF8S0.5TCN61	35	230/460	2.6	66.0	1.15	13.37	S, US
3/4	3600	56C	110448.00	√	535	C6T34FC9	21	208-230/460	2.4	75.5	1.15	10.48	S, US
3/4	3600	56C	LM24151	C/A	555	SRF2S0.75TCN61	23	230/460	3.2	74.0	1.15	11.82	S, US
3/4	1800	56C	110047.00	√	595	C6T17FC1	24	208-230/460	2.8	77.0	1.15	10.48	S, US
3/4	1800	S56C	LM24077	√	639	SRF4S0.75TCN61	21	230/460	2.8	75.5	1.15	11.19	S, MX
3/4	1800	56C	114213.00	√	762	C6T17FC114	29	208-230/460	2.4	81.5	1.15	10.98	S, MX, T
3/4	1200	143TC	120097.00	√	832	C143T11FC1	36	208-230/460	3.0	75.5	1.15	11.92	S, US
3/4	1200	56C	112378.00	√	832	C6T11FC10	32	208-230/460	3.0	75.5	1.15	11.48	S, US
3/4	900	145TC	LM24967	C/A	1,436	SSF8S0.75TCN61	47	230/460	4.2	70.0	1.15	14.87	S, US

Green items are Premium Efficient.

Continued on next page.

C/A - Check Availability.

Note 12 - TENV.

Note T - N/C T-stats

♥ Note listing on inside back flap. Specifications are subject to change without notice.



Three Phase C Face Motors

Totally Enclosed - General Purpose

Tech Information

Single Phase
ODP Motors

Single Phase
TEFC Motors

Three Phase
ODP Motors

Three Phase
TEFC Motors

Inverter Duty
Motors

Severe Duty
Motors

Explosion Proof
Motors

Automotive
Duty Motors

Three Phase - Totally Enclosed - C Face Less Base

HP	SYN RPM 60 Hz	NEMA® Frame	Catalog Number	Stock	List Price	Model Number	App. Wgt. (lbs)	Voltage	F. L. Amps @ 230 V	% FL. Eff.	Service Factor	"C" Dim. (Inches)	♥Notes
1	3600	56C	110112.00	√	627	C6T34FC6	24	230/460	3.2	77.0	1.15	10.48	S, US
1	3600	56C	116748.00	√	848	C6T34FC97	25	230/460	2.8	80.0	1.25	10.98	S, US, T
1	1800	56C	LM34158	√	1,059	SRF3B1TCN61	42	230/460	3.3	85.5	1.15	14.15	S, MX
1	1800	56C	114638.00	√	1,059	C6T17FC132	37	230/460	3.4	85.5	1.15	12.48	S, US, T
1	1800	143TC	LM34159	C/A	1,059	SSF4B1TCN61	42	230/460	3.3	85.5	1.25	14.21	S, MX
1	1800	143TC	121067.00	√	1,059	C143T17FC16	39	230/460	3.4	85.5	1.15	12.92	S, US, T
1	1200	56C	116749.00	√	1,114	C6T11FC29	47	230/460	3.8	82.5	1.25	12.98	S, US, T
1	1200	56C	LM34162	√	1,114	SRF6B1TCN61	39	230/460	3.8	82.5	1.15	15.15	S, MX
1	1200	145TC	122165.00	√	1,114	C145T11FC12	46	208-230/460	3.8	82.5	1.15	13.42	S, US
1	1200	145TC	LM32846	C/A	1,061	SSF6B1TCN61	48	230/460	3.6	82.5	1.15	14.37	S, US
1 1/2	3600	56C	116750.00	√	963	C6T34FC98C	33	230/460	4.0	84.0	1.25	11.98	S, US, T
1 1/2	3600	143TC	122166.00	√	963	C143T34FC22	35	208-230/460	4.0	84.0	1.15	12.42	S, US
1 1/2	1800	56C	116743.00	√	1,117	C6T17FC209	41	230/460	4.8	86.5	1.25	12.98	S, US, T
1 1/2	1800	56C	LM34161	√	1,117	SRF4B1.5TCN61	44	230/460	4.6	86.5	1.15	14.65	S, MX
1 1/2	1800	145TC	121066.00	√	1,117	C145T17FC37	44	230/460	4.8	86.5	1.15	13.42	S, US, T
1 1/2	1800	145TC	LM34154	√	1,117	SSF4B1.5TCN61	44	230/460	4.6	86.5	1.15	14.71	S, MX
1 1/2	1200	56C	132596.00	√	1,637	C182T11FC7	75	230/460	6.0	87.5	1.15	13.02	S, MX, ♦
1 1/2	1200	182TC	132431.00	√	1,637	C182T11FC113	75	208-230/460	5.2	87.5	1.15	14.47	S, MX
2	3600	56C	116751.00	√	1,114	C6T34FC94	44	230/460	4.8	85.5	1.25	12.98	S, US
2	3600	56C	LM34163	√	1,114	SRF2B2TCN61	44	230/460	5.2	86.5	1.15	14.32	S, US
2	3600	145TC	122167.00	√	1,114	C145T34FC44	41	208-230/460	4.8	85.5	1.15	13.42	S, US
2	3600	145TC	LM34160	C/A	1,114	SSF2B2TCN61	48	230/460	5.0	85.5	1.15	14.37	S, US
2	1800	56C	116744.00	√	1,173	C6T17FC210	45	230/460	5.8	86.5	1.25	13.48	S, US
2	1800	56C	LM34155	√	1,173	SRF4B2TCN61	47	230/460	6.0	86.5	1.15	15.10	S, MX
2	1800	145TC	121065.00	√	1,173	C145T17FC38	46	230/460	5.8	86.5	1.25	13.92	S, US
2	1800	145TC	LM34153	√	1,274	SSF4B2TCN61	48	230/460	6.0	86.5	1.25	15.21	S, MX
2	1200	184TC	132430.00	√	1,661	C184T11FC112	82	230/460	6.4	88.5	1.15	14.97	S, MX
3	3600	56C	119414.00	√	1,219	C6T34FC123	45	208-230/460	8.0	86.5	1.15	13.86	S, US
3	3600	145TC	122171.00	√	1,219	C145T34FC45	47	208-230/460	8.0	86.5	1.15	13.92	S, US
3	3600	145TC	LM34165	√	1,219	SSF2B3TCN61	49	230/460	7.6	85.5	1.15	13.42	S, US
3	3600	182TC	132433.00	√	1,384	C182T34FC7	60	208-230/460	7.8	86.5	1.15	12.97	S, MX
3	1800	56C	132595.00	√	1,258	C182T17FC47	75	230/460	7.8	89.5	1.15	12.52	S, MX, ♦
3	1800	182TC	131503.00	√	1,258	C182T17FC26	75	230/460	7.8	89.5	1.15	13.97	S, MX
3	1800	182TC	LM33574	D	1,027	AAF4P3TCN61AP26	73	230/460	7.8	87.5	1.25	14.96	A, MX
3	1800	182TC	LM33573	√	1,258	AAF4B3TCN61AP26	60	230/460	7.8	89.5	1.25	14.96	A, MX
3	1800	182TC	LM33337	D	962	SSF4P3TCN61	62	230/460	8.6	87.5	1.15	13.96	S, MX
3	1800	182TC	LM34353	√	1,258	SSF4B3TCN61	62	230/460	7.8	89.5	1.15	13.97	S, MX
3	1200	213TC	141231.00	√	1,764	C215T11FC4	129	230/460	8.8	89.5	1.15	19.46	S, MX
5	3600	184TC	132434.00	√	1,436	C184T34FC28	99	208-230/460	12.0	88.5	1.15	14.97	S, MX
5	1800	184TC	131501.00	√	1,358	C184T17FC29	90	230/460	12.6	89.5	1.15	14.97	S, MX, T
5	1800	184TC	LM33575	C/A	1,439	AAF4B5TCN61AP26	115	208-230/460	12.6	89.5	1.25	14.96	A, MX
5	1200	215TC	141232.00	√	2,017	C215T11FC5	156	230/460	14.0	89.5	1.15	20.96	S, MX

Green items are Premium Efficient.

Continued on next page.

C/A - Check Availability.

♦ Note: Motor 132596.00 mounts like a NEMA 56 frame, having a barrel diameter of a 180 frame motor and uses 180 frame brake kit

Note T - N/C T-stats

♥ Note listing on inside back flap.

Specifications are subject to change without notice.



Three Phase C Face Motors

Totally Enclosed - General Purpose

Three Phase - Totally Enclosed - C Face Less Base

HP	SYN RPM 60 Hz	NEMA® Frame	Catalog Number	Stock	List Price	Model Number	App. Wgt. (lbs)	Voltage	F. L. Amps @ 230 V	% F.L. Eff.	Service Factor	"C" Dim. (Inches)	♥Notes
7 1/2	3600	184TC	132561.00	√	1,546	C184T34FC32	102	230/460	17.6	89.5	1.00	15.97	S, MX
7 1/2	3600	213TC	141234.00	√	1,756	C213T34FC1	158	230/460	18.6	89.5	1.00	19.46	S, MX
7 1/2	3600	213TC	171852.60	√	1,797	C213T34FC44	157	230/460	18.0	91.0	1.15	18.86	C, CN, T
7 1/2	1800	213TC	140486.00	√	1,579	C213T17FC7	165	230/460	21.6	91.7	1.25	18.71	S, MX, T
7 1/2	1800	213TC	171851.60	√	1,699	C213T17FC43	165	230/460	18.6	91.7	1.15	18.85	C, CN, T
10	3600	215TC	141233.00	√	1,780	C215T34FC7	155	230/460	23.6	90.2	1.15	20.96	S, MX
10	3600	215TC	171854.60	√	1,870	C215T34FC43	181	230/460	23.0	91.7	1.15	20.36	C, CN, T
10	1800	215TC	140484.00	√	1,905	C215T17FC4	182	230/460	26.8	91.7	1.25	19.71	S, MX, T
10	1800	215TC	171853.60	√	1,740	C215T17FC42	177	230/460	25.0	91.7	1.15	20.36	C, CN, T
10	1800	215TC	LM34166	√	2,288	AF4B10TCN61	178	230/460	26.6	91.7	1.25	19.63	A, US
15	3600	215TC	141235.00	C/A	2,531	C215T34FC8	135	230/460	35.0	91.0	1.15	20.96	S, MX
15	3600	215TC	171349.60	√	3,226	C215T34FC45	186	230/460	35.0	91.7	1.15	23.19	C, CN, T
15	1800	254TC	171479.60	√	3,346	C254T17FC6	280	230/460	36.0	92.4	1.25	23.80	C, CN, T
15	1800	254TC	LM16828	C/A	3,228	AF4B15TCN61	210	230/460	37.5	92.4	1.25	24.02	A, US
20	3600	256TC	171480.60	√	3,935	C256T34FC7	322	230/460	46.0	92.4	1.15	24.92	C, CN, T
20	1800	256TC	171352.60	√	4,017	C256T17FC5	335	230/460	49.0	93.0	1.15	25.50	C, CN, T
25	1800	284TC	171507.60	√	5,132	C284T17FC6	385	230/460	59.0	93.6	1.15	26.26	C, CN, T
30	1800	286TC	171508.60	√	6,119	C286T17FC6	432	230/460	70.0	94.1	1.15	26.26	C, CN, T
40	1800	324TC	171509.60	√	8,066	C324T17FC6	528	230/460	92.0	94.1	1.15	29.53	C, CN, T
50	1800	326TC	171510.60	√	8,844	C326T17FC6	587	230/460	117.0	94.5	1.15	31.02	C, CN, T
60	1800	364TC	171519.60	√	10,549	C364T17FC10	879	208-230/460	139.0	95.4	1.15	32.64	C, CN, T

Shaded model numbers are cast iron frame.

Green items are Premium Efficient.

C/A - Check Availability.

Note T - N/C T-stats

♥ Note listing on inside back flap.
Specifications are subject to change without notice.



Three Phase C Face Motors

Totally Enclosed - General Purpose

Tech Information

Single Phase
ODP Motors

Single Phase
TEFC Motors

Three Phase
ODP Motors

Three Phase
TEFC Motors

Inverter Duty
Motors

Severe Duty
Motors

Explosion Proof
Motors

Automotive
Duty Motors

Three Phase - Totally Enclosed - C Face With Base

HP	SYN RPM 60 Hz	NEMA® Frame	Catalog Number	Stock	List Price	Model Number	App. Wgt. (lbs)	Voltage	F. L. Amps @ 230 V	% F.L. Eff.	Service Factor	"C" Dim. (Inches)	♥Notes
1/4	1800	S56C	LM24946	C/A	496	SRF4S0.25TC61	21	230/460	1.3	62.5	1.15	9.94	S, US
1/3	1800	S56C	102921.00	√	528	C4T17NK3	20	208-230/460	1.3	77.0	1.15	9.56	S, MX, 12
1/3	1800	S56C	102922.00	√	526	C4T17FK11	22	208-230/460	1.3	77.0	1.15	10.19	S, MX
1/3	1800	S56C	LM24114	C/A	548	SRF4S0.33TC61	16	230/460	1.6	65.5	1.15	10.19	S, MX
1/3	1800	S56C	102697.00	√	672	C4T17FK5	20	208-230/460	1.3	77.0	1.25	10.19	S, MX, T
1/2	3600	56C	110182.00	C/A	575	C6T344NK1	29	208-230/460	1.6	82.5	1.15	9.90	S, MX, 12
1/2	3600	56C	114142.00	√	530	C6T34FK46	24	208-230/460	2.0	72.0	1.15	10.48	S, US
1/2	3600	56C	LM24129	√	568	SRF2S0.5TC61	26	230/460	2.2	66.0	1.15	11.81	S, US
1/2	1800	S56C	102919.00	√	608	C4T17NK2	21	208-230/460	1.8	77.0	1.15	10.06	S, MX, 12
1/2	1800	S56C	102917.00	√	608	C4T17FK10	20	208-230/460	1.9	73.0	1.15	10.19	S, MX
1/2	1800	S56C	LM24074	√	616	SRF4S0.5TC61	19	230/460	2.2	70.0	1.15	10.69	S, MX
1/2	1800	S56C	102024.00	√	724	C4T17FK2	26	208-230/460	1.8	77.0	1.15	10.69	S, MX
1/2	1200	56C	110914.00	√	819	C6T11FK1	28	208-230/460	2.4	70.0	1.15	10.98	S, US
1/2	1200	56C	LM24104	C/A	866	SRF6S0.5TC61	24	230/460	2.7	68.0	1.15	11.81	S, MX
1/2	900	143TC	LM24949	√	1,260	SSF8S0.5TC61	36	230/460	2.6	66.0	1.15	13.37	S, US
3/4	3600	56C	110915.00	√	572	C6T34FK6	22	208-230/460	2.4	75.5	1.15	10.48	S, US
3/4	3600	56C	LM24134	√	622	SRF2S0.75TC61	24	230/460	3.2	74.0	1.15	11.81	S, US
3/4	1800	56C	110916.00	√	653	C6T17FK5	25	208-230/460	2.8	77.0	1.15	10.48	S, US
3/4	1800	S56C	LM24076	√	659	SRF4S0.75TC61	21	230/460	2.8	75.5	1.15	11.19	S, MX
3/4	1800	56C	114624.00	√	778	C6T17FK58	28	208-230/460	2.4	81.5	1.25	11.23	S, US, T
3/4	1200	56C	116340.00	√	857	C6T11FK12	32	208-230/460	3.0	75.5	1.15	11.48	S, US
3/4	1200	56C	LM24140	√	887	SRF6S0.75TC61	31	230/460	3.2	74.0	1.15	12.31	S, MX
3/4	1200	143TC	120485.00	√	857	C143T11FK2	32	208-230/460	3.0	75.5	1.15	12.92	S, US
3/4	1200	143TC	LM24273	C/A	887	SSF6S0.75TC61	30	230/460	3.2	74.0	1.15	12.37	S, MX
3/4	900	145TC	LM24265	√	1,436	SSF8S0.75TC61	52	230/460	4.8	70.0	1.15	14.37	S, US
1	3600	56C	110181.00	√	679	C6T34FK1	24	230/460	3.2	77.0	1.15	10.48	S, US
1	3600	56C	LM34169	√	767	SRF2B1TC61	25	230/460	3.0	78.5	1.15	11.81	S, US
1	1800	56C	116745.00	√	1,096	C6T17FK98	34	230/460	3.4	85.5	1.25	12.48	S, US, T
1	1800	56C	LM34167	√	1,096	SRF4B1TC61	43	230/460	3.3	85.5	1.15	14.15	S, MX
1	1800	143TC	121179.00	√	1,096	C143T17FK9	37	230/460	3.2	85.5	1.15	12.92	S, US, T
1	1800	143TC	LM32822	√	926	SSF4B1TC61	41	230/460	3.2	85.5	1.25	12.93	S, US
1	1200	145TC	121936.00	√	1,073	C145T11FK7	47	230/460	3.8	82.5	1.25	13.42	S, US, T
1	1200	56HC	LM34168	√	1,102	SRF6B1TC61	45	230/460	3.8	82.5	1.15	15.14	S, MX
1	1200	145TC	LM32823	√	1,102	SSF6B1TC61	48	230/460	3.8	82.5	1.25	14.87	S, US
1	900	182TC	LM33566	C/A	1,766	AAF8B1TC61AP26	77	230/460	4.2	75.5	1.15	14.96	A, MX

Green items are Premium Efficient.

C/A - Check Availability.
Note T - N/C T-stats

Continued on next page.

♥ Note listing on inside back flap.
Specifications are subject to change without notice.



Three Phase C Face Motors

Totally Enclosed - General Purpose



Three Phase - Totally Enclosed - C Face With Base

HP	SYN RPM 60 Hz	NEMA® Frame	Catalog Number	Stock	List Price	Model Number	App. Wgt. (lbs)	Voltage	F. L. Amps @ 230 V	% FL. Eff.	Service Factor	"C" Dim. (Inches)	♥Notes
1 1/2	3600	56C	119416.00	√	980	C6T34FK131	32	208-230/460	4.0	84.0	1.15	11.98	S, US
1 1/2	3600	56C	LM34171	√	980	SRF2B1.5TC61	38	208-230/460	4.0	84.0	1.15	13.32	S, US
1 1/2	3600	143TC	121672.00	√	1,003	C143T34FK15	33	230/460	4.0	84.0	1.25	12.92	S, US, T
1 1/2	1800	56C	116746.00	√	1,136	C6T17FK96	43	230/460	4.8	86.5	1.25	12.99	S, US, T
1 1/2	1800	56HC	LM34170	√	1,136	SRF4B1.5TC61	75	230/460	4.6	86.5	1.15	14.65	S, MX
1 1/2	1800	145TC	121180.00	√	1,136	C145T17FK26	45	230/460	4.8	86.5	1.15	13.42	S, US, T
1 1/2	1800	145TC	LM32825	√	968	SSF4B1.5TC61	41	230/460	4.6	86.5	1.15	14.37	S, US
1 1/2	1200	182TC	132435.00	√	1,661	C182T11FC5	78	230/460	5.2	87.5	1.15	15.96	S, MX
1 1/2	1200	182TC	LM33567	√	1,308	AAF6B1.5TC61AP26	74	230/460	5.2	87.5	1.25	14.97	A, MX
2	3600	56C	119417.00	√	985	C6T34FK132	35	208-230/460	4.8	85.5	1.15	12.98	S, US, T
2	3600	56HC	LM34173	√	985	SRF2B2TC61	47	230/460	5.0	85.5	1.15	14.32	S, US
2	3600	145TC	121673.00	√	1,027	C145T34FK39	44	230/460	4.8	85.5	1.25	13.42	S, US, T
2	1800	56HC	116747.00	√	1,187	C6T17FK97	48	230/460	5.8	86.5	1.25	13.49	S, US, T
2	1800	56HC	LM34172	√	1,187	SRF4B2TC61	65	230/460	6.0	86.5	1.15	15.15	S, US
2	1800	145TC	121181.00	√	1,187	C145T17FK27	49	230/460	5.8	86.5	1.25	13.92	S, US, T
2	1800	145TC	LM32829	√	1,049	SSF4B2TC61	48	230/460	6.0	86.5	1.15	14.37	S, MX
2	1200	184TC	132243.00	√	1,354	C184T11FK6	82	230/460	6.4	88.7	1.15	14.97	S, US, T
2	1200	184TC	LM33569	√	1,446	AAF6B2TC61AP26	80	230/460	6.4	88.5	1.25	14.97	A, MX
2	900	213TC	LM34174	C/A	2,781	AAF8B2TC61	147	230/460	8.0	86.5	1.15	19.57	A, US
3	3600	56HC	119418.00	√	1,204	C6T34FK133	57	230/460	8.0	86.5	1.15	13.48	S, US
3	3600	145TC	121929.00	√	1,261	C145T34FK43	49	230/460	8.0	86.5	1.15	13.92	S, US, T
3	3600	182TC	132079.00	√	1,423	C182T34FK10	70	230/460	7.6	86.5	1.25	14.47	S, MX, T
3	3600	182TC	171564.60	C/A	1,514	C182T34FK14	97	208-230/460	7.2	87.5	1.15	16.76	C, CN, T
3	3600	182TC	LM33570	√	1,450	AAF2B3TC61AP26	61	230/460	7.8	86.5	1.25	14.97	A, MX
3	1800	182TC	131504.00	√	1,280	C182T17FK14	84	230/460	7.8	89.5	1.15	13.97	S, MX, T
3	1800	182TC	LM33485	√	1,274	AAF4B3TC61AP26	67	230/460	7.8	89.5	1.25	14.97	A, MX
3	1800	182TC	171565.60	√	1,469	C182T17FK27	125	208-230/460	8.0	90.2	1.15	16.93	C, CN, T
3	1200	215TC	140834.00	√	1,831	C215T11FK9	170	230/460	8.8	89.5	1.15	20.97	S, MX
3	1200	213TC	LM16744	√	2,056	AF6B3TC61	131	230/460	8.8	89.5	1.25	19.45	S, MX

Shaded model numbers are cast iron frame.

Continued on next page.

Green items are Premium Efficient.

C/A - Check Availability.
Note T - N/C T-stats

♥ Note listing on inside back flap.
Specifications are subject to change without notice.



Three Phase C Face Motors

Totally Enclosed - General Purpose

Tech Information

Single Phase
ODP Motors

Single Phase
TEFC Motors

Three Phase
ODP Motors

Three Phase
TEFC Motors

Inverter Duty
Motors

Severe Duty
Motors

Explosion Proof
Motors

Automotive
Duty Motors

Three Phase - Totally Enclosed - C Face With Base

HP	SYN RPM 60 Hz	NEMA® Frame	Catalog Number	Stock	List Price	Model Number	App. Wgt. (lbs)	Voltage	F. L. Amps @ 230 V	% F.L. Eff.	Service Factor	"C" Dim. (Inches)	♥Notes
5	3600	184TC	171446.60	√	1,574	C184T34FK44	111	208-230/460	12.0	88.5	1.15	16.76	C, CN, T
5	3600	184TC	132080.00	√	1,467	C184T34FK32	100	230/460	12.0	88.5	1.25	14.97	S, MX, T
5	3600	184TC	LM16745	D	1,884	AAF2B5TC61	104	230/460	11.8	89.5	1.25	16.83	A, US
5	3600	184TC	LM33571	√	1,884	AAF2B5TC61AP26	104	230/460	12.0	88.5	1.25	14.97	A, MX
5	1800	184TC	171566.60	√	1,525	C184T17FK35	109	208-230/460	12.8	89.5	1.15	16.93	C, CN, T
5	1800	184TC	131502.00	√	1,388	C184T17FK15	96	230/460	12.6	89.5	1.15	14.97	S, MX, T
5	1800	184TC	LM33484	√	1,477	AAF4B5TC61AP26	85	230/460	12.6	89.5	1.25	14.97	A, MX
5	1200	215TC	171116.60	√	2,347	C215T11FB11	180	208-230/460	14.0	89.5	1.15	20.35	C, CN, T
5	1200	215TC	LM16748	√	2,356	AF6B5TC61	150	230/460	13.8	89.5	1.25	19.57	A, US
5	1200	215TC	LM32835	√	2,069	SSF6B5TC61	143	230/460	14.0	90.2	1.25	20.97	S, MX
5	900	254TC	LM32836	√	3,371	AF8B5TC61	244	230/460	15.0	87.5	1.15	24.00	A, US
7 1/2	3600	184TC	132313.00	√	1,594	C184T34FK48	103	230/460	17.6	89.5	1.15	15.97	S, MX
7 1/2	3600	213TC	140770.00	√	1,810	C215T34FK11	160	230/460	17.8	90.2	1.15	20.57	S, MX, T
7 1/2	3600	213TC	170166.60	√	1,855	C213T34FK5	183	208-230/460	18.3	91.0	1.15	18.95	C, CN, T
7 1/2	1800	213TC	140521.00	√	1,586	C213T17FK7	152	230/460	21.6	91.7	1.25	18.71	S, MX, T
7 1/2	1800	213TC	170165.60	√	1,753	C286T17DK5	155	230/460	18.6	91.7	1.15	18.94	C, CN, T
7 1/2	1800	213TC	LM16752	√	2,228	AF4B75TC61	141	230/460	19.2	91.7	1.25	19.57	A, US
7 1/2	1200	254TC	170138.60	√	3,379	C254T11FB9	249	208-230/460	22.2	91.7	1.15	23.75	C, CN, T
7 1/2	1200	254TC	LM16753	√	3,226	AAF6B75TC61	235	230/460	19.8	91.0	1.25	23.40	A, US
7 1/2	900	256TC	LM32839	C/A	3,962	AF8B75TC61	225	230/460	23.0	86.5	1.15	25.15	A, US
10	3600	215TC	140769.00	√	2,048	C213T34FK1	175	230/460	23.6	91.7	1.15	21.82	S, MX, T
10	3600	215TC	LM32840	C/A	2,299	SSF2B10TC1	156	230/460	23.6	91.7	1.15	22.22	S, MX
10	3600	215TC	170168.60	√	2,171	C215T34FK15	181	208-230/460	23.0	91.7	1.15	20.36	C, CN, T
10	3600	215TC	LM16755	√	2,390	AF2B10TC61	150	230/460	23.6	91.7	1.25	20.57	A, US
10	1800	215TC	140522.00	√	1,916	C215T17FK3	160	230/460	26.6	91.7	1.25	19.71	S, MX, T
10	1800	215TC	LM32841	√	1,900	SSF4B10TC61	152	230/460	25.6	91.7	1.25	22.22	S, MX
10	1800	215TC	170167.60	√	2,005	C215T17FK20	177	208-230/460	25.0	91.7	1.15	20.35	C, CN, T
10	1800	215TC	LM16757	√	2,355	AF4B10TC61	150	230/460	25.0	91.7	1.25	19.57	A, US
10	1200	256TC	170139.60	√	3,765	C256T11FB11	300	208-230/460	28.8	91.7	1.15	25.48	C, CN, T
10	1200	256TC	LM16759	√	4,031	AF6B10TC61	187	230/460	26.2	91.0	1.25	2515.00	A, US

Shaded model numbers are cast iron frame.

Continued on next page.

Green items are Premium Efficient.

D - Item to be discontinued once inventory is depleted.

C/A - Check Availability.

Note T - N/C T-stats

♥ Note listing on inside back flap.

Specifications are subject to change without notice.



Three Phase C Face Motors

Totally Enclosed - General Purpose

Three Phase - Totally Enclosed - C Face With Base

HP	SYN RPM 60 Hz	NEMA® Frame	Catalog Number	Stock	List Price	Model Number	App. Wgt. (lbs)	Voltage	F. L. Amps @ 230 V	% FL. Eff.	Service Factor	"C" Dim. (Inches)	♥Notes
15	3600	254TC	171586.60	√	3,333	C254T34FK8	292	208-230/460	34.5	92.4	1.25	23.75	C, CN, T
15	1800	254TC	171587.60	√	3,447	C254T17FK8	284	208-230/460	36.0	92.4	1.25	23.75	C, CN, T
15	1800	254TC	LM16762	√	3,320	AF4B15TC61	250	230/460	37.5	92.4	1.25	24.00	A, US
15	1200	284TC	170104.60	√	5,610	C284T11FB9	333	208-230/460	40.5	92.4	1.15	26.26	C, CN, T
20	3600	256TC	171588.60	√	4,094	C256T34FK3	326	208-230/460	46.0	92.4	1.15	25.48	C, CN, T
20	1800	256TC	171589.60	√	4,115	C256T17FK8	325	208-230/460	50.0	93.0	1.15	25.48	C, CN, T
20	1800	256TC	LM16767	√	3,609	AF4B20TC61	288	230/460	48.0	93.0	1.25	25.75	A, US
20	1200	286TC	LM16769	√	7,174	AF6B20TC61Y	416	230/460	61.0	91.7	1.15	28.01	A, US
25	3600	284TC	170619.60	√	4,516	C284T34FK8	393	208-230/460	56.5	93.0	1.15	24.88	C, CN, T
25	3600	284TSC	171590.60	√	5,145	C284T34FK5	290	208-230/460	56.8	93.0	1.15	24.88	C, CN, T
25	1800	284TC	171591.60	√	5,324	C284T17FK5	388	208-230/460	59.0	93.6	1.25	26.26	C, CN, T
25	1800	284TC	LM16772	√	4,904	AF4B25TC61Y	280	230/460	64.0	93.6	1.25	26.51	A, US
25	1800	284TSC	LM32654	√	4,878	AF4B25TSC61Y	282	230/460	65.0	93.6	1.25	25.13	A, US
30	3600	286TSC	170108.60	√	5,328	C286T34FK14	400	208-230/460	68.0	94.1	1.15	27.83	C, CN, T
30	3600	286TC	170620.60	√	5,328	C286T34FK11	400	208-230/460	67.6	93.0	1.15	26.26	C, CN, T
30	1800	286TC	171592.60	√	6,415	C286T17FK4	436	208-230/460	70.0	94.1	1.15	27.84	C, CN, T
30	1800	286TC	LM16774	√	6,373	AF4B30TC61Y	361	230/460	75.0	93.6	1.25	28.01	A, US
30	1800	286TSC	LM32842	√	6,373	AF430TSC61Y	432	230/460	75.0	93.6	1.25	26.63	A, US
30	1200	326TC	LM13724	C/A	11,169	SF6B30TC61Y	573	230/460	76.0	93.0	1.25	30.44	S, US
40	3600	324TSC	170110.60	√	7,859	C324T34FK8	574	208-230/460	90	92.4	1.15	28.15	C, CN, T
40	1800	324TC	171593.60	√	8,292	C324T17FK5	532	208-230/460	92	94.1	1.15	29.53	C, CN, T
40	1800	324TC	LM13726	√	11,868	SF4B40TC61Y	518	230/460	101	94.1	1.25	28.94	S, US
40	1800	324TSC	LM32652	√	11,868	SF4B40TSC61Y	535	230/460	102	94.1	1.25	27.44	S, US
40	1200	364TC	LM15565	√	13,120	SF6B40TC61Y	778	230/460	119	94.1	1.25	31.89	S, US
50	3600	326TSC	170112.60	√	8,086	C326T34FK5	604	208-230/460	112	94.1	1.15	29.72	C, CN, T
50	1800	326TC	171594.60	√	9,108	C326T17FK5	592	208-230/460	117	94.5	1.25	31.02	C, CN, T
50	1800	326TC	LM13728	√	11,919	SF4B59TC61Y	573	230/460	127	94.5	1.25	30.44	S, US
50	1800	326TSC	LM32843	√	11,919	SF4B50TSC61Y	598	230/460	122	94.5	1.25	28.94	S, US
50	1200	365TC	LM15568	C/A	15,721	SF6B50TC61Y	835	230/460	138	94.1	1.25	32.89	S, US

Shaded model numbers are cast iron frame.

Continued on next page.

Green items are Premium Efficient.

♥ Note listing on inside back flap.

C/A - Check Availability.

Specifications are subject to change without notice.

Note T - N/C T-stats

Tech Information

Single Phase ODP Motors

Single Phase TEFC Motors

Three Phase ODP Motors

Three Phase TEFC Motors

Inverter Duty Motors

Severe Duty Motors

Explosion Proof Motors

Automotive Duty Motors



Three Phase C Face Motors

Totally Enclosed - General Purpose

Tech Information

Single Phase
ODP Motors

Single Phase
TEFC Motors

Three Phase
ODP Motors

Three Phase
TEFC Motors

Inverter Duty
Motors

Severe Duty
Motors

Explosion Proof
Motors

Automotive
Duty Motors

Three Phase - Totally Enclosed - C Face With Base

HP	SYN RPM 60 Hz	NEMA® Frame	Catalog Number	Stock	List Price	Model Number	App. Wgt. (lbs)	Voltage	F. L. Amps @ 230 V	% F.L. Eff.	Service Factor	"C" Dim. (Inches)	♥Notes
60	3600	364TSC	170114.60	√	13,220	C364T34FK3	860	208-230/460	134	94.1	1.15	30.51	C, CN, T
60	1800	364TC	171595.60	√	14,444	C364T17FK5	670	208-230/460	139	95.4	1.25	32.64	C, CN, T
60	1800	364TC	LM15563	√	15,654	SF4B60TC61Y	778	230/460	145	95.0	1.25	31.89	S, US
60	1800	364TSC	LM32665	√	15,654	SF4B60TSC61Y	804	230/460	145	95.0	1.25	29.77	S, US
75	3600	365TSC	171115.60	√	15,869	C365T34FK3	773	208-230/460	167	94.5	1.15	12.25	C, CN, T
75	1800	365TC	171596.60	√	16,617	C365T17FK6	1040	208-230/460	171	95.8	1.15	33.62	C, CN, T
75	1800	365TC	LM15567	√	16,370	SF4B75TC61Y	835	230/460	178	95.4	1.15	32.89	S, US
75	1800	365TSC	LM32653	√	16,370	SF4B75TSC61Y	855	230/460	178	95.4	1.15	30.77	S, US
100	3600	405TSC	LM16719	C/A	23,539	SF2B100TSC61Y	1002	230/460	210	94.5	1.15	33.87	S, US
100	1800	405TC	171597.60	√	20,348	C405T17FK2	1076	208-230/460	225	95.4	1.15	37.91	C, CN, T
100	1800	405TC	LM15263	C/A	19,786	SF4B100TC61Y	1006	230/460	236	95.4	1.15	36.87	S, US
100	1800	405TSC	LM32659	√	19,786	SF4B100TSC61Y	1048	230/460	244	95.4	1.15	33.87	S, US
125	3600	444TSC	LM13730	C/A	30,148	SF2B125TSC64Y	1359	460	133*	95.0	1.15	37.74	S, US
125	1800	444TC	LM13731	C/A	26,347	SF4B125TC64Y	1359	460	146*	96.2	1.15	41.49	S, US
125	1800	444TSC	LM32844	√	26,347	SF4B125TSC64Y	1372	460	146*	96.2	1.15	37.74	S, US
150	3600	445TSC	LM13733	C/A	34,266	SF2B150TSC64Y	1537	460	163*	95.8	1.15	39.74	S, US
150	1800	445TC	LM13734	C/A	30,341	SF4B150TC64Y	1552	460	168*	96.2	1.15	43.49	S, US
150	1800	445TSC	LM32845	√	30,341	SF4B150TSC64Y	1555	460	168*	96.2	1.15	39.74	S, US
200	3600	445TSC	LM13736	C/A	42,964	SF2B200TSC64Y	1552	460	212*	95.8	1.15	39.74	S, US
200	1800	445TC	LM13737	C/A	37,257	SF4B200TC64Y	1537	460	227*	96.2	1.15	43.49	S, US
200	1800	445TSC	LM32660	√	37,257	SF4B200TSC64Y	1555	460	227*	96.2	1.15	39.74	S, US
100	1800	405TSC	LM32659	√	19,786	SF4B100TSC61Y	1048	230/460	244	95.4	1.15	33.87	S, US
125	3600	444TSC	LM13730	C/A	30,148	SF2B125TSC64Y	1359	460	133*	95.0	1.15	37.74	S, US
125	1800	444TC	LM13731	C/A	26,347	SF4B125TC64Y	1359	460	146*	96.2	1.15	41.49	S, US
125	1800	444TSC	LM32844	√	26,347	SF4B125TSC64Y	1372	460	146*	96.2	1.15	37.74	S, US
150	3600	445TSC	LM13733	C/A	34,266	SF2B150TSC64Y	1537	460	163*	95.8	1.15	39.74	S, US
150	1800	445TC	LM13734	C/A	30,341	SF4B150TC64Y	1552	460	168*	96.2	1.15	43.49	S, US
150	1800	445TSC	LM32845	√	30,341	SF4B150TSC64Y	1555	460	168*	96.2	1.15	39.74	S, US
200	3600	445TSC	LM13736	C/A	42,964	SF2B200TSC64Y	1552	460	212*	95.8	1.15	39.74	S, US
200	1800	445TC	LM13737	C/A	37,257	SF4B200TC64Y	1537	460	227*	96.2	1.15	43.49	S, US
200	1800	445TSC	LM32660	√	37,257	SF4B200TSC64Y	1555	460	227*	96.2	1.15	39.74	S, US

Shaded model numbers are cast iron frame.

♥ Note listing on inside back flap.

Specifications are subject to change without notice.

Green items are Premium Efficient.

C/A - Check Availability.

Note T - N/C T-stats

*Amps at 460 volts.



Three Phase Totally Enclosed Fan Cooled Ultimate e® / Globetrotter® General Purpose Motors

Features:

- Class F insulation
- Stamped steel conduit box
- Standard assembly F1, reversible to F2 by reassembly
- UL recognized, CSA certified, CE mark
- Dual base mounting provisions in 184T, 215T, 256T, 286T, 326T, 405T, 445T, 447T and 449T frames



Three Phase - TEFC - Rigid Base

Note: When ordering catalog numbers beginning with GT, use the model number instead of the catalog number.

HP	SYN RPM 60 Hz	NEMA® Frame	Catalog Number	Stock	List Price	Model Number	App. Wgt. (lbs)	Voltage	F. L. Amps @ 230 V	% FL. Eff.	Service Factor	"C" Dim. (Inches)	♥Notes
1 1/2	1200	182T	199001.00	D	912	C182T11FB1	125	230/460	4.8	87.5	1.15	14.80	C, CN
1 1/2	1200	182T	B199001.00	D	912	D182T11FB18	125	230/460	4.6	87.5	1.15	14.80	C, CN
1 1/2	1200	182T	GT1005A	√	912	182TTFCD6076	104	230/460	4.6	87.5	1.15	14.80	C, MX
1 1/2	1200	182T	GT1105A	√	912	182TTFCD6080	104	575	1.8	87.5	1.15	14.80	C, MX
2	1200	184T	199002.00	D	1,099	C184T11FB1	125	230/460	6.0	88.5	1.15	15.81	C, CN
2	1200	184T	B199002.00	D	1,099	D184T11FB34	125	230/460	6.0	88.5	1.15	15.81	C, CN
2	1200	184T	GT1008A	√	1,099	184TTFCD6076	121	230/460	6.0	88.5	1.15	15.81	C, MX
2	1200	184T	GT1108A	√	1,099	184TTFCD6080	121	575	2.4	88.5	1.15	15.81	C, MX
3	3600	182T	199003.00	D	969	C182T34FB1	85	230/460	7.6	86.5	1.15	14.80	C, CN
3	3600	182T	B199003.00	D	969	D182T34FB13	85	230/460	8.0	86.5	1.15	15.08	C, CN
3	3600	182T	GT1009A	√	969	182TTFCD6001	86	230/460	8.0	86.5	1.15	15.08	C, MX
3	3600	182T	GT1109A	√	969	182TTFCD6005	86	575	3.2	86.5	1.15	15.08	C, MX
3	1800	182T	199004.00	D	912	C182T17FB1	102	230/460	7.8	89.5	1.15	14.80	C, CN
3	1800	182T	B199004.00	D	912	D182T17FB64	100	230/460	8.0	89.5	1.15	15.08	C, CN
3	1800	182T	GT1010A	√	912	182TTFCD6026	97	230/460	8.0	89.5	1.15	15.08	C, MX
3	1800	182T	GT1110A	√	912	182TTFCD6030	97	575	3.2	89.5	1.15	15.08	C, MX
3	1200	213T	B199005.00	D	1,441	C213T11FB7	153	230/460	8.6	89.5	1.15	18.35	S, CN
3	1200	213T	GT1511	√	1,441	213TTFBD6080	153	230/460	8.6	89.5	1.15	18.35	S, MX
3	1200	213T	199005.00	D	1,495	C213T11FB1BA	200	230/460	8.6	89.5	1.15	18.23	C, CN
3	1200	213T	B194295.00	D	1,453	D213T11FB1A	200	230/460	8.6	89.5	1.15	18.53	C, CN
3	1200	213T	GT1011A	√	1,453	213TTFCD6076	150	230/460	8.6	89.5	1.15	18.53	C, MX
3	1200	213T	GT1111A	√	1,453	213TTFCD6080	150	575	3.5	89.5	1.15	18.53	C, MX
5	3600	184T	199006.00	D	1,123	C184T34FB1	96	230/460	12.0	88.5	1.15	15.81	C, CN
5	3600	184T	B199006.00	D	1,123	D184T34FB32	96	230/460	12.0	88.5	1.15	16.08	C, CN
5	3600	184T	GT1012A	√	1,123	184TTFCD6001	95	230/460	12.0	88.5	1.15	16.08	C, MX
5	3600	184T	GT1112A	√	1,123	184TTFCD6005	95	575	4.8	88.5	1.15	16.08	C, MX
5	1800	184T	199007.00	D	1,015	C184T17FB1	118	230/460	12.4	89.5	1.15	15.81	C, CN
5	1800	184T	B199007.00	D	1,015	D184T17FB81	118	230/460	13.0	89.5	1.15	16.08	C, CN
5	1800	184T	GT1013A	√	1,015	184TTFCD6026	111	230/460	13.0	89.5	1.15	16.08	C, MX
5	1800	184T	GT1113A	√	1,015	184TTFCD6030	111	575	5.2	89.5	1.15	16.08	C, MX
5	1200	215T	B199008.00	D	1,753	C215T11FB13	185	230/460	13.7	89.5	1.15	19.95	S, CN
5	1200	215T	GT1514	√	1,753	215TTFBD6080	185	230/460	13.7	89.5	1.15	19.95	S, MX
5	1200	215T	199008.00	D	1,856	C215T11FB1BA	185	230/460	14.0	89.5	1.15	19.73	C, CN
5	1200	215T	B194296.00	D	1,805	D215T11FB1A	185	230/460	13.6	89.5	1.15	20.03	C, CN
5	1200	215T	GT1014A	√	1,805	215TTFCD6076	168	230/460	13.6	89.5	1.15	20.03	C, MX
5	1200	215T	GT1114A	√	1,805	215TTFCD6080	168	575	5.5	89.5	1.15	20.03	C, MX

Shaded model numbers are cast iron frame.

Continued on next page.

Green items are Premium Efficient.

D - Item to be discontinued once inventory is depleted.

♥ Note listing on inside back flap.

Specifications are subject to change without notice.

Three Phase - TEFC - Rigid Base

Note: When ordering catalog numbers beginning with GT, use the model number instead of the catalog number.

HP	SYN RPM 60 Hz	NEMA® Frame	Catalog Number	Stock	List Price	Model Number	App. Wgt. (lbs)	Voltage	F. L. Amps @ 230 V	% FL. Eff.	Service Factor	"C" Dim. (Inches)	Notes
7 1/2	3600	213T	B199009.00	D	1,333	C213T34FB46	124	230/460	18.4	89.5	1.15	18.35	S, CN
7 1/2	3600	213T	GT1515	√	1,333	213TTFBD6002	136	230/460	18.4	89.5	1.15	18.35	S, MX
7 1/2	3600	213T	B194297.00	D	1,509	D213T34FB1	163	230/460	18.4	89.5	1.15	18.53	C, CN
7 1/2	3600	213T	GT1015A	√	1,509	213TTFCD6001	148	230/460	18.4	89.5	1.15	18.53	C, MX
7 1/2	3600	213T	GT1115A	√	1,509	213TTFCD6005	148	575	7.4	89.5	1.15	18.53	C, MX
7 1/2	1800	213T	B199010.00	D	1,290	C213T17FB47	181	230/460	19.0	91.7	1.15	18.35	S, CN
7 1/2	1800	213T	GT1516	√	1,290	213TTFBD6030	158	230/460	19.0	91.7	1.15	18.35	S, MX
7 1/2	1800	213T	199010.00	D	1,315	C213T17FB1AB	181	230/460	18.6	91.7	1.15	18.23	C, CN
7 1/2	1800	213T	B194298.00	D	1,433	D213T17FB1	181	230/460	19.0	91.7	1.15	18.53	C, CN
7 1/2	1800	213T	GT1016A	√	1,433	213TTFCD6026	167	230/460	19.0	91.7	1.15	18.53	C, MX
7 1/2	1800	213T	GT1116A	√	1,433	213TTFCD6030	167	575	7.6	91.7	1.15	18.53	C, MX
7 1/2	1200	254T	B199011.00	D	2,433	D254T11FB7	280	230/460	19.8	91.0	1.15	24.15	C, CN
7 1/2	1200	254T	GT1017A	√	2,433	254TTFCD6076	290	230/460	19.8	91.0	1.15	24.15	C, MX
7 1/2	1200	254T	GT1117A	√	2,433	254TTFCD6080	290	575	7.9	91.0	1.15	24.15	C, MX
10	3600	215T	B199012.00	D	1,502	C215T34FB52	175	230/460	23.6	90.2	1.15	20.70	S, CN
10	3600	215T	GT1518	√	1,502	215TTFBD6002	155	230/460	23.6	90.2	1.15	20.70	S, MX
10	3600	215T	199012.00	D	1,543	C215T34FB1BA	175	230/460	22.8	90.2	1.15	19.73	C, CN
10	3600	215T	B194299.00	D	1,543	D215T34FB1	175	230/460	23.6	90.2	1.15	20.03	C, CN
10	3600	215T	GT1018A	√	1,543	215TTFCD6001	171	230/460	23.6	90.2	1.15	20.03	C, MX
10	3600	215T	GT1118A	√	1,543	215TTFCD6005	171	575	9.5*	90.2	1.15	20.03	C, MX
10	1800	215T	B199013.00	D	1,469	C215T17FB52	198	230/460	25.0	91.7	1.15	19.95	S, CN
10	1800	215T	GT1519	√	1,469	215TTFBD6030	165	230/460	25.0	91.7	1.15	19.95	S, CN
10	1800	215T	199013.00	D	1,495	C215T17FB1BA	198	230/460	24.4	91.7	1.15	19.73	C, CN
10	1800	215T	B194300.00	D	1,725	D215T17FB1	198	230/460	25.0	91.7	1.15	20.03	C, CN
10	1800	215T	GT1019A	√	1,725	215TTFCD6026	183	230/460	25.0	91.7	1.15	20.03	C, MX
10	1800	215T	GT1119A	√	1,725	215TTFCD6030	183	575	10.0*	91.7	1.15	20.03	C, MX
10	1200	256T	199014.00	D	2,999	C256T11FB1	350	230/460	26.8	91.0	1.15	25.43	C, CN
10	1200	256T	B199014.00	D	2,960	D256T11FB8	120	230/460	25.8	91.0	1.15	25.89	C, CN
10	1200	256T	GT1020A	√	2,960	256TTFCD6076	307	230/460	25.8	91.0	1.15	25.89	C, MX
10	1200	256T	GT1120A	√	2,960	256TTFCD6080	307	575	10.3*	91.0	1.15	25.89	C, MX
15	3600	254T	B199015.00	D	2,330	D254T34FB11	329	230/460	35.5	91.0	1.15	24.15	C, CN
15	3600	254T	GT1021A	√	2,330	254TTFCD6001	393	230/460	35.5	91.0	1.15	24.15	C, MX
15	3600	254T	GT1121A	√	2,330	254TTFCD6005	393	575	14.3*	91.0	1.15	24.15	C, MX
15	1800	254T	B199016.00	D	2,226	D254T17FB14	343	230/460	37.5	92.4	1.15	24.15	C, CN
15	1800	254T	GT1022A	√	2,226	254TTFCD6026	299	230/460	37.5	92.4	1.15	24.15	C, MX
15	1800	254T	GT1122A	√	2,226	254TTFCD6030	299	575	15.1*	92.4	1.15	24.15	C, MX
15	1200	284T	199017.00	D	3,902	C284T11FB1	682	230/460	39.5	91.7	1.15	27.83	C, CN
15	1200	284T	B199017.00	D	3,902	D284T11FB10	394	230/460	40.0	91.7	1.15	26.65	C, CN
15	1200	284T	GT1023A	√	3,902	284TTFCD6076	412	230/460	40.0	91.7	1.15	26.65	C, MX
15	1200	284T	GT1123A	√	3,902	284TTFCD6080	412	575	16.0*	91.7	1.15	26.65	C, MX
20	3600	256T	B199018.00	D	2,836	D256T34FB21	250	230/460	47.5	91.0	1.15	25.89	C, CN
20	3600	256T	GT1024A	√	2,836	256TTFCD6001	265	230/460	47.5	91.0	1.15	25.89	C, MX
20	3600	256T	GT1124A	√	2,836	256TTFCD6005	265	575	19.0*	91.0	1.15	25.89	C, MX
20	1800	256T	B199019.00	D	2,784	D256T17FB8	411	230/460	48.5	93.0	1.15	25.89	C, CN
20	1800	256T	GT1025A	√	2,784	256TTFCD6026	335	230/460	48.5	93.0	1.15	25.89	C, MX
20	1800	256T	GT1125A	√	2,784	256TTFCD6030	335	575	19.4*	93.0	1.15	25.89	C, MX
20	1200	286T	199020.00	D	4,470	C286T11FB1	500	230/460	52.0	91.7	1.15	31.34	C, CN
20	1200	286T	B199020.00	D	4,367	D286T11FB10	445	230/460	52.0	91.7	1.15	28.14	C, CN
20	1200	286T	GT1026A	√	4,367	286TTFCD6076	385	230/460	52.0	91.7	1.15	28.14	C, MX
20	1200	286T	GT1126A	√	4,367	286TTFCD6080	385	575	20.8*	91.7	1.15	28.14	C, MX

Shaded model numbers are cast iron frame.

Continued on next page.

Green items are Premium Efficient.

♥ Note listing on inside back flap.

D - Item to be discontinued once inventory is depleted.

Specifications are subject to change without notice.

* FL Amps @ 575V



Three Phase C Face Motors

Ultimate e® / Globetrotter® General Purpose Motors

Three Phase - TEFC - Rigid Base

Note: When ordering catalog numbers beginning with GT, use the model number instead of the catalog number.

HP	SYN RPM 60 Hz	NEMA® Frame	Catalog Number	Stock	List Price	Model Number	App. Wgt. (lbs)	Voltage	F. L. Amps @ 230 V	% FL. Eff.	Service Factor	"C" Dim. (Inches)	♥Notes
25	3600	284TS	B199021.00	D	3,506	D284T34FB13	465	230/460	60.0	91.7	1.15	25.28	C, CN
25	3600	284TS	GT1027A	√	3,506	284TSTFCD6001	386	230/460	60.0	91.7	1.15	25.28	C, MX
25	3600	284TS	GT1127A	√	3,506	284TSTFCD6005	386	575	24.0*	91.7	1.15	25.28	C, MX
25	1800	284T	B199022.00	D	3,256	D284T17FB9	502	230/460	61.0	93.6	1.15	26.65	C, CN
25	1800	284T	GT1028A	√	3,256	284TTFCD6026	400	230/460	61.0	93.6	1.15	26.65	C, MX
25	1800	284T	GT1128A	√	3,256	284TTFCD6030	400	575	24.3*	93.6	1.15	26.65	C, MX
25	1800	284TS	B194312.00	D	3,332	D284T17FB10	447	230/460	61.0	93.6	1.15	25.28	C, CN
25	1800	284TS	GT1057	√	3,332	284TSTFCD6026	453	230/460	61.0	93.6	1.15	25.28	C, CN
25	1200	324T	199023.00	D	5,879	C324T11FB1	1136	230/460	66.0	93.0	1.15	32.68	C, CN
25	1200	324T	B199023.00	D	5,879	D324T11FB7	1136	230/460	64.0	93.0	1.15	29.69	C, CN
25	1200	324T	GT1029A	√	5,879	324TTFCD6076	1136	230/460	64.0	93.0	1.15	29.69	C, MX
25	1200	324T	GT1129A	√	5,879	324TTFCD6080	1136	575	25.6*	93.0	1.15	29.69	C, MX
30	3600	286TS	B199024.00	D	4,147	D286T34FB8	550	230/460	71.0	91.7	1.15	26.77	C, CN
30	3600	286TS	GT1030A	√	4,147	286TSTFCD6001	353	230/460	71.0	91.7	1.15	26.77	C, MX
30	3600	286TS	GT1130A	√	4,147	286TSTFCD6005	353	575	28.5*	91.7	1.15	26.77	C, MX
30	1800	286T	B199025.00	D	3,808	D286T17FB9	537	230/460	72.5	93.6	1.15	28.14	C, CN
30	1800	286T	GT1031A	√	3,808	286TTFCD6026	492	230/460	72.5	93.6	1.15	28.14	C, MX
30	1800	286T	GT1131A	√	3,808	286TTFCD6030	492	575	29.1*	93.6	1.15	28.14	C, MX
30	1800	286TS	B194313.00	D	3,887	D286T17FB10	445	230/460	72.5	93.6	1.15	26.77	C, CN
30	1800	286TS	GT1058	√	3,887	286TSTFCD6026	493	230/460	72.5	93.6	1.15	26.77	C, CN
30	1200	326T	B199026.00	D	6,306	D326T11FB7	700	230/460	76.0	93.0	1.15	31.19	C, CN
30	1200	326T	GT1032A	√	6,306	326TTFCD6076	1136	230/460	76.0	93.0	1.15	31.19	C, MX
30	1200	326T	GT1132A	√	6,306	326TTFCD6080	1136	575	30.5*	93.0	1.15	31.19	C, MX
40	3600	324TS	B199027.00	D	5,597	D324T34FB8	622	230/460	92.5	92.4	1.15	28.19	C, CN
40	3600	324TS	GT1033A	√	5,597	324TSTFCD6001	622	230/460	92.5	92.4	1.15	28.19	C, MX
40	3600	324TS	GT1133A	√	5,597	324TSTFCD6005	622	575	37.0*	92.4	1.15	28.19	C, MX
40	1800	324T	B199028.00	D	5,123	D324T17FB15	634	230/460	95.0	94.1	1.15	29.69	C, CN
40	1800	324T	GT1034A	√	5,202	324TTFCD6026	625	230/460	95.0	94.1	1.15	29.69	C, MX
40	1800	324T	GT1134A	√	5,202	324TTFCD6030	625	575	38.0*	94.1	1.15	29.69	C, MX
40	1800	324TS	B194314.00	D	5,202	D324T17FB16	618	230/460	95.0	94.1	1.15	28.19	C, CN
40	1800	324TS	GT1059	√	5,202	324TSTFCD6026	622	230/460	95.0	94.1	1.15	28.19	C, CN
40	1200	364T	B199029.00	D	8,724	D364T11FB13	950	230/460	96.0	94.1	1.15	33.32	C, CN
40	1200	364T	GT1035A	√	8,724	364TTFCD6086	950	230/460	96.0	94.1	1.15	33.32	C, MX
40	1200	364T	GT1135A	√	8,724	364TTFCD6080	950	575	38.5*	94.1	1.15	33.32	C, MX
50	3600	326TS	B199030.00	D	6,389	D326T34FB9	680	230/460	113.0	93.0	1.15	29.69	C, CN
50	3600	326TS	GT1036A	√	6,389	326TSTFCD6001	622	230/460	113.0	93.0	1.15	29.69	C, MX
50	3600	326TS	GT1136A	√	6,389	326TSTFCD6005	622	575	45.0*	93.0	1.15	29.69	C, MX
50	1800	326T	B199031.00	D	6,288	D326T17FB16	750	230/460	117.0	94.5	1.15	31.19	C, CN
50	1800	326T	GT1037A	√	6,288	326TTFCD6026	680	230/460	117.0	94.5	1.15	31.19	C, MX
50	1800	326T	GT1137A	√	6,288	326TTFCD6030	680	575	47.0*	94.5	1.15	31.19	C, MX
50	1800	326TS	B194315.00	D	6,349	D326T17FB17	608	230/460	117.0	94.5	1.15	29.69	C, CN
50	1800	326T	GT1060	√	6,349	326TSTFCD6026	675	230/460	117.0	94.5	1.15	29.69	C, CN
50	1200	365T	199032.00	D	9,916	C365T11FB1	1000	230/460	117.0	94.1	1.15	38.39	C, CN
50	1200	365T	B199032.00	D	9,916	D365T11FB13	1000	230/460	121.0	94.1	1.15	34.30	C, CN
50	1200	365T	GT1038A	√	9,916	365TTFCD6086	950	230/460	121.0	94.1	1.15	34.30	C, MX
50	1200	365T	GT1138A	√	9,916	365TTFCD6080	950	575	48.5*	94.1	1.15	34.30	C, MX

Shaded model numbers are cast iron frame.

Green items are Premium Efficient.

D - Item to be discontinued once inventory is depleted.

* F.L Amps @ 575V

♥ Note listing on inside back flap. Specifications are subject to change without notice.



Three Phase C Face Motors

Ultimate e® / Globetrotter® General Purpose Motors

Three Phase - TEFC - Rigid Base

Note: When ordering catalog numbers beginning with GT, use the model number instead of the catalog number.

HP	SYN RPM 60 Hz	NEMA® Frame	Catalog Number	Stock	List Price	Model Number	App. Wgt. (lbs)	Voltage	F. L. Amps @ 230 V	% F.L. Eff.	Service Factor	"C" Dim. (Inches)	♥Notes
60	3600	364TS	B199033.00	D	8,685	D364T34FB8	897	230/460	135.0	93.6	1.15	31.19	C, CN
60	3600	364TS	GT1039A	√	8,685	364TSTFCD6001	897	230/460	135.0	93.6	1.15	31.19	C, MX
60	3600	364TS	GT1139A	√	8,685	364TSTFCD6005	897	575	54.0*	93.6	1.15	31.19	C, MX
60	1800	364T	B199034.00	D	8,580	D364T17FB13	947	230/460	138.0	95.0	1.15	33.32	C, CN
60	1800	364T	GT1040A	√	8,580	364TTFCD6036	805	230/460	138.0	95.0	1.15	33.32	C, MX
60	1800	364T	GT1140A	√	8,580	364TTFCD6040	805	575	55.0*	95.0	1.15	33.32	C, MX
60	1800	364TS	B194316.00	D	8,665	D364T17FB14	877	230/460	138.0	95.0	1.15	31.19	C, CN
60	1800	364TS	GT1061	√	8,665	364TSTFCD6036	904	230/460	138.0	95.0	1.15	31.19	C, CN
60	1200	404T	B199035.00	D	11,618	D404T11FB10	1211	230/460	143.0	94.5	1.15	38.77	C, CN
60	1200	404T	GT1041A	√	11,618	404TTFCD6086	415	230/460	143.0	94.5	1.15	38.77	C, MX
60	1200	404T	GT1141A	√	11,618	404TTFCD6080	415	575	57.0*	94.5	1.15	38.77	C, MX
75	3600	365TS	199036.00	D	10,788	C365T34FB1	964	230/460	167.0	93.6	1.15	36.34	C, CN
75	3600	365TS	B199036.00	D	10,788	D365T34FB8	964	230/460	168.0	93.6	1.15	32.17	C, CN
75	3600	365TS	GT1042A	√	10,788	365TSTFCD6001	950	230/460	168.0	93.6	1.15	32.17	C, MX
75	3600	365TS	GT1142A	√	10,788	365TSTFCD6002	950	575	67.0*	93.6	1.15	32.17	C, MX
75	1800	365T	B199037.00	D	10,542	D365T17FB14	1052	230/460	171.0	95.4	1.15	34.30	C, CN
75	1800	365T	GT1043A	√	10,542	365TTFCD6036	983	230/460	171.0	95.4	1.15	34.30	C, MX
75	1800	365T	GT1143A	√	10,542	365TTFCD6040	983	575	68.5*	95.4	1.15	34.30	C, MX
75	1800	365TS	B194317.00	D	10,616	D365T17FB15	990	230/460	171.0	95.4	1.15	32.17	C, CN
75	1800	365TS	GT1062	√	10,616	365TSTFCD6036	981	230/460	171.0	95.4	1.15	32.17	C, CN
75	1200	405T	B199038.00	D	13,678	D405T11FB11	1303	230/460	178.0	94.5	1.15	38.77	C, CN
75	1200	405T	GT1044A	√	13,678	405TTFCD6086	1304	230/460	178.0	94.5	1.15	38.77	C, MX
75	1200	405T	GT1144A	√	13,678	405TTFCD6080	1304	575	71.0*	94.5	1.15	38.77	C, MX
100	3600	405TS	199039.00	D	13,088	C405T34FB1	1400	230/460	216.0	94.1	1.15	39.76	C, CN
100	3600	405TS	B199039.00	D	13,088	D405T34FB10	1130	230/460	222.0	94.1	1.15	35.77	C, CN
100	3600	405TS	GT1045A	√	13,088	405TSTFCD6001	1100	230/460	222.0	94.1	1.15	35.77	C, MX
100	3600	405TS	GT1145A	√	13,088	405TSTFCD6005	1100	575	89.0*	94.1	1.15	35.77	C, MX
100	1800	405T	B199040.00	D	12,885	D405T17FB12	1305	230/460	226.0	95.4	1.15	38.77	C, CN
100	1800	405T	GT1046A	√	12,885	405TTFCD6036	1201	230/460	226.0	95.4	1.15	38.77	C, MX
100	1800	405T	GT1146A	√	12,885	405TTFCD6040	1201	575	90.5*	95.4	1.15	38.77	C, MX
100	1800	405TS	B194318.00	D	12,955	D405T17FB13	1293	230/460	226.0	95.4	1.15	35.77	C, CN
100	1800	405TS	GT1063	√	12,955	405TSTFCD6036	1681	230/460	226.0	95.4	1.15	35.77	C, CN
100	1200	444T	199041.00	D	20,170	C444T11FB1	1958	230/460	228.0	95.0	1.15	50.79	C, CN
100	1200	444T	B199041.00	D	20,170	D444T11FB10	1866	230/460	229.0	95.0	1.15	46.71	C, CN
100	1200	444T	GT1047A	√	20,170	444TTFCD6086	1865	230/460	229.0	95.0	1.15	46.71	C, MX
100	1200	444T	GT1147A	√	20,170	444TTFCD6080	1865	575	91.5*	95.0	1.15	46.71	C, MX
125	3600	444TS	199042.00	D	18,280	C444T34FB1	1850	460	136.0**	95.0	1.15	47.05	C, CN
125	3600	444TS	B199042.00	D	18,280	D444T34FB11	1684	460	138.0**	95.0	1.15	42.96	C, CN
125	3600	444TS	GT1048A	√	18,280	444TSTFCD6001	1753	460	138.0**	95.0	1.15	42.96	C, MX
125	3600	444TS	GT1148A	√	18,280	444TSTFCD16002	1753	575	110.0*	95.0	1.15	42.96	C, MX
125	1800	444T	199043.00	D	18,058	C444T17FB1	1885	460	140.0**	95.4	1.15	50.79	C, CN
125	1800	444T	B199043.00	D	18,058	D444T17FB7	1700	460	140.0**	95.4	1.15	46.71	C, CN
125	1800	444T	GT1049A	√	18,058	444TTFCD6036	1588	460	140.0**	95.4	1.15	46.71	C, MX
125	1800	444T	GT1149A	√	18,058	444TTFCD6044	1588	575	112.0*	95.4	1.15	46.71	C, MX
125	1800	444TS	B194319.00	D	18,119	D444T17FB8	1670	460	140.0**	95.4	1.15	42.96	C, CN
125	1800	444T	GT1064	√	18,119	444TSTFCD6036	1909	460	140.0**	95.4	1.15	42.96	C, CN
125	1200	445T	199044.00	D	21,048	C445T11FB1	2081	460	142.0**	95.0	1.15	50.79	C, CN
125	1200	445T	B199044.00	D	21,048	D445T11FB8	2081	460	143.0**	95.0	1.15	46.71	C, CN
125	1200	445T	GT1050A	√	21,048	445TTFCD6086	1962	460	143.0**	95.0	1.15	46.71	C, MX
125	1200	445T	GT1150A	√	21,048	445TTFCD6080	1962	575	114.0*	95.0	1.15	46.71	C, MX

Shaded model numbers are cast iron frame.

Green items are Premium Efficient.

D - Item to be discontinued once inventory is depleted.

* FL Amps @ 575V

** FL Amps @ 460V

♥ Note listing on inside back flap. Specifications are subject to change without notice.



Three Phase C Face Motors

Ultimate e® / Globetrotter® General Purpose Motors

Three Phase - Totally Enclosed - C Face With Base

Note: When ordering catalog numbers beginning with GT, use the model number instead of the catalog number.

HP	SYN RPM 60 Hz	NEMA® Frame	Catalog Number	Stock	List Price	Model Number	App. Wgt. (lbs)	Voltage	F. L. Amps @ 230 V	% F.L. Eff.	Service Factor	"C" Dim. (Inches)	♥Notes
150	3600	445TS	199045.00	D	22,455	C445T34FB1	2004	460	162.0	95.0	1.15	47.05	C, CN
150	3600	445TS	B199045.00	D	22,455	D445T34FB6	1908	460	164.0	95.0	1.15	42.96	C, CN
150	3600	445TS	GT1051A	√	22,455	445TSTFCD6001	1829	460	164.0	95.0	1.15	42.96	C, MX
150	3600	445TS	GT1151A	√	22,455	445TSTFCD6005	1829	575	131.0*	95.0	1.15	42.96	C, MX
150	1800	445T	199046.00	D	21,204	C445T17FB1	2088	460	165.0	95.8	1.15	50.79	C, CN
150	1800	445T	B199046.00	D	21,204	D445T17FB16	1872	460	169.0	95.8	1.15	46.71	C, CN
150	1800	445T	GT1052A	√	21,204	445TTFCD6036	1950	460	169.0	95.8	1.15	46.71	C, MX
150	1800	445T	GT1152A	√	21,204	445TTFCD6037	1950	575	135.0*	95.8	1.15	46.71	C, MX
150	1800	445TS	B194320.00	D	21,254	D445T17FB17	1881	460	169.0	95.8	1.15	42.96	C, CN
150	1800	445TS	GT1065	√	21,254	445TSTFCD6036	1875	460	169.0	95.8	1.15	42.96	C, CN
150	1200	447T	199047.00	D	26,762	C447T11FB1	2550	460	170.0	95.8	1.15	55.91	C, CN
150	1200	447T	B199047.00	D	26,762	D447T11FB6	2550	460	171.0	95.8	1.15	55.21	C, CN
150	1200	447T	GT1053A	√	26,762	447TTFCD6087	2451	460	171.0	95.8	1.15	55.21	C, MX
150	1200	447T	GT1153A	√	26,762	447TTFCD6080	2451	575	136.0*	95.8	1.15	55.21	C, MX
200	3600	447TS	199048.00	D	26,220	C447T34FB1	2450	460	215.0	95.4	1.15	52.17	C, CN
200	3600	447TS	B199048.00	D	26,220	D447T34FB6	1020	460	217.0	95.4	1.15	51.46	C, CN
200	3600	447TS	GT1054A	√	26,220	447TSTFCD6004	2311	460	217.0	95.4	1.15	51.46	C, MX
200	3600	447TS	GT1154A	√	26,220	447TSTFCD6005	2311	575	174.0*	95.4	1.15	51.46	C, MX
200	1800	447T	199049.00	D	25,790	C447T17FB1	2376	460	224.0	96.2	1.15	55.91	C, CN
200	1800	447T	B199049.00	D	25,790	D447T17FB10	2278	460	219.0	96.2	1.15	55.21	C, CN
200	1800	447T	GT1055A	√	25,790	447TTFCD6038	2300	460	219.0	96.2	1.15	55.21	C, MX
200	1800	447T	GT1155A	√	25,790	447TTFCD6039	2300	575	175.0*	96.2	1.15	55.21	C, MX
200	1800	447TS	B194321.00	D	25,813	D447T17FB11	2500	460	219.0	96.2	1.15	51.46	C, CN
200	1800	447TS	GT1066	√	25,813	447TSTFCD6038	2275	460	219.0	96.2	1.15	51.46	C, CN
200	1200	449T	199050.00	D	28,501	C449T11FB1	2600	460	228.0	95.8	1.15	55.91	C, CN
200	1200	449T	B199050.00	D	28,501	D449T11FB6	1065	460	227.0	95.8	1.15	55.21	C, CN
200	1200	449T	GT1056A	√	28,501	449TTFCD6088	2494	460	227.0	95.8	1.15	55.21	C, MX
200	1200	449T	GT1156A	√	28,501	449TTFCD6080	2494	575	182.0*	95.8	1.15	55.21	C, MX

Shaded model numbers are cast iron frame.

Green items are Premium Efficient.

D - Item to be discontinued once inventory is depleted.

* FL Amps @ 575V

♥ Note listing on inside back flap.
Specifications are subject to change without notice.



Three Phase C Face Motors

Ultimate e® / Globetrotter® General Purpose Motors

Three Phase - Totally Enclosed - C Face With Base

Note: When ordering catalog numbers beginning with GT, use the model number instead of the catalog number.

HP	SYN RPM 60 Hz	NEMA® Frame	Catalog Number	Stock	List Price	Model Number	App. Wgt. (lbs)	Voltage	F. L. Amps @ 230 V	% F.L. Eff.	Service Factor	"C" Dim. (Inches)	Notes
3	3600	182TC	B199051.00	D	1,065	D182T34FK56	78	230/460	8.0	86.5	1.15	15.85	S, CN
3	3600	182TC	GT1209A	√	1,065	182TTFBD6003	83	230/460	8.0	86.5	1.15	15.85	S, MX
3	3600	182TC	GT1409A	√	1,065	182TTFBD6007	83	575	3.2*	86.5	1.15	15.85	S, MX
3	1800	182TC	199052.00	D	1,143	C182T17FK1	94	230/460	7.8	89.5	1.15	15.75	C, CN
3	1800	182TC	B199052.00	D	1,053	D182T17FK53	94	230/460	8.0	89.5	1.15	15.85	S, CN
3	1800	182TC	GT1210A	√	1,053	182TTFBD6028	105	230/460	8.0	89.5	1.15	15.85	S, MX
3	1800	182TC	GT1410A	√	1,053	182TTFBD6032	105	575	3.2*	89.5	1.15	15.85	S, MX
5	3600	184TC	199053.00	D	1,287	C184T34FK1	167	230/460	12.0	88.5	1.15	16.73	C, CN
5	3600	184TC	B199053.00	D	1,185	D184T34FK54	167	230/460	12.0	88.5	1.15	16.85	S, CN
5	3600	184TC	GT1212A	√	1,185	184TTFBD6003	97	230/460	12.0	88.5	1.15	16.85	S, MX
5	3600	184TC	GT1412A	√	1,185	184TTFBD6007	97	575	4.8*	88.5	1.15	16.85	S, MX
5	1800	184TC	199054.00	D	1,256	C184T17FK1	109	230/460	12.4	89.5	1.15	16.73	C, CN
5	1800	184TC	B199054.00	D	1,156	D184T17FK57	109	230/460	13.0	89.5	1.15	16.85	S, CN
5	1800	184TC	GT1213A	√	1,156	184TTFBD6028	105	230/460	13.0	89.5	1.15	16.85	S, MX
5	1800	184TC	GT1413A	√	1,156	184TTFBD6032	105	575	5.2*	89.5	1.15	16.85	S, MX
7 1/2	3600	213TC	199055.00	D	1,554	C213T34FK1	144	230/460	17.8	89.5	1.15	19.53	C, CN
7 1/2	3600	213TC	B199055.00	D	1,525	C213T34FK1	165	230/460	18.4	89.5	1.15	19.10	S, CN
7 1/2	3600	213TC	GT1215A	√	1,525	213TTFBD6003	136	230/460	18.4	89.5	1.15	19.10	S, MX
7 1/2	3600	213TC	GT1415A	√	1,525	213TTFBD6007	136	575	7.4*	89.5	1.15	19.10	S, MX
7 1/2	1800	213TC	B199056.00	D	1,444	C213T17FK1	185	230/460	19.0	91.7	1.15	19.10	S, CN
7 1/2	1800	213TC	GT1216A	√	1,444	213TTFBD6028	158	230/460	19.0	91.7	1.15	19.10	S, MX
7 1/2	1800	213TC	GT1416A	√	1,444	213TTFBD6032	158	575	7.6*	91.7	1.15	19.10	S, MX
10	3600	215TC	B199057.00	D	1,755	C215T34FK1	163	230/460	23.6	90.2	1.15	20.70	S, CN
10	3600	215TC	GT1218A	√	1,755	215TTFBD6003	155	230/460	23.6	90.2	1.15	20.70	S, MX
10	3600	215TC	GT1418A	√	1,755	215TTFBD6007	155	575	9.5*	90.2	1.15	20.70	S, MX
10	1800	215TC	B199058.00	D	1,734	C215T17FK1	169	230/460	25.0	91.7	1.15	20.70	S, CN
10	1800	215TC	GT1219A	√	1,734	215TTFBD6028	175	230/460	25.0	91.7	1.15	20.70	S, MX
10	1800	215TC	GT1419A	√	1,734	215TTFBD6032	175	575	10*	91.7	1.15	20.70	S, MX
15	3600	215TC	B194128.00	D	2,351	C215T34FK49	186	230/460	35.0	91.0	1.15	20.70	S, CN
15	3600	215TC	GT1248A	√	2,351	215TTFBD6001	186	230/460	35.0	91.0	1.15	20.70	S, MX
15	3600	254TC	B199059.00	D	2,521	D254T34FK1	208	230/460	35.5	91.0	1.15	24.65	C, CN
15	3600	254TC	GT1221A	√	2,521	254TTFCD6003	289	230/460	35.5	91.0	1.15	24.65	C, MX
15	3600	254TC	GT1421A	√	2,521	254TTFCD6007	289	575	14.3*	91.0	1.15	24.65	C, MX
15	1800	254TC	B199060.00	D	2,427	D254T17FK1	300	230/460	37.5	92.4	1.15	24.65	C, CN
15	1800	254TC	GT1222A	√	2,427	254TTFCD6028	311	230/460	37.5	92.4	1.15	24.65	C, MX
15	1800	254TC	GT1422A	√	2,427	254TTFCD6032	311	575	15.1*	92.4	1.15	24.65	C, MX
20	3600	256TC	B199061.00	D	2,965	D256T34FK1	387	230/460	47.5	91.0	1.15	26.39	C, CN
20	3600	256TC	GT1224A	√	2,965	256TTFCD6003	375	230/460	47.5	91.0	1.15	26.39	C, MX
20	1800	256TC	B199062.00	D	2,901	D256T17FK1	428	230/460	48.5	93.0	1.15	26.39	C, CN
20	1800	256TC	GT1225A	√	2,901	256TTFCD6028	330	230/460	48.5	93.0	1.15	26.39	C, MX
25	3600	284TSC	B199063.00	D	3,749	D284T34FK1	485	230/460	60.0	91.7	1.15	25.28	C, CN
25	3600	284TSC	GT1227A	√	3,749	284TSTFC6003	293	230/460	60.0	91.7	1.15	25.28	C, MX
25	1800	284TC	199064.00	D	3,499	C284T17FK1	525	230/460	62.0	93.6	1.15	30.16	C, CN
25	1800	284TC	B199064.00	D	3,453	D284T17FK1	413	230/460	61.0	93.6	1.15	26.65	C, CN
25	1800	284TC	GT1228A	√	3,453	284TTFCD6028	470	230/460	61.0	93.6	1.15	26.65	C, MX

Shaded model numbers are cast iron frame.

Green items are Premium Efficient.

D - Item to be discontinued once inventory is depleted.

* F.L Amps @ 575V

Continued on next page.

♥ Note listing on inside back flap. Specifications are subject to change without notice.



Three Phase Motors Totally Enclosed

Ultimate e® / Globetrotter® General Purpose Motors With Roller Bearings

Three Phase - Totally Enclosed - C Face With Base

Note: When ordering catalog numbers beginning with GT, use the model number instead of the catalog number.

HP	SYN RPM 60 Hz	NEMA® Frame	Catalog Number	Stock	List Price	Model Number	App. Wgt. (lbs)	Voltage	F. L. Amps @ 230 V	% FL. Eff.	Service Factor	"C" Dim. (Inches)	♥Notes
30	3600	286TSC	B199065.00	D	4,326	D286T34FK1	427	230/460	71.0	91.7	1.15	26.77	C, CN
30	3600	286TSC	GT1230A	√	4,326	286TSTFCD6003	429	230/460	71.0	91.7	1.15	26.77	C, MX
30	1800	286TC	B199066.00	D	4,162	D286T17FK1	556	230/460	72.5	93.6	1.15	28.14	C, CN
30	1800	286TC	GT1231A	√	4,162	286TTFCD6028	504	230/460	72.5	93.6	1.15	28.14	C, MX
40	3600	324TSC	B199067.00	D	5,805	D324T34FK13	640	230/460	92.5	92.4	1.15	28.19	C, CN
40	3600	324TSC	GT1233A	√	5,805	324TSTFCD6003	630	230/460	92.5	92.4	1.15	28.19	C, MX
40	1800	324TC	B199068.00	D	5,362	D324T17FK17	689	230/460	95.0	94.1	1.15	29.69	C, CN
40	1800	324TC	GT1234A	√	5,362	324TTFCD6028	646	230/460	95.0	94.1	1.15	29.69	C, MX
50	3600	326TSC	B199069.00	D	7,120	D326T34FK10	709	230/460	113.0	93.0	1.15	29.69	C, CN
50	3600	326TSC	GT1236A	√	7,120	326TSTFCD6003	595	230/460	113.0	93.0	1.15	29.69	C, MX
50	1800	326TC	B199070.00	D	6,582	D326T17FK13	742	230/460	117.0	94.5	1.15	31.19	C, CN
50	1800	326TC	GT1237A	√	6,582	326TTFCD6028	702	230/460	117.0	94.5	1.15	31.19	C, MX
60	3600	364TSC	B199071.00	D	9,441	D364T34FK5	900	230/460	135.0	93.6	1.15	31.19	C, CN
60	3600	364TSC	GT1239A	√	9,441	364TSTFCD6003	950	230/460	135.0	93.6	1.15	31.19	C, MX
60	1800	364TC	199072.00	D	8,987	C364T17FK1	982	230/460	138.0	95.0	1.15	36.61	C, CN
60	1800	364TC	B199072.00	D	8,987	D364T17FK7	982	230/460	138.0	95.0	1.15	33.32	C, CN
60	1800	364TC	GT1240A	√	8,987	364TTFCD6038	952	230/460	138.0	95.0	1.15	33.32	C, MX
75	3600	365TSC	B199073.00	D	11,045	D365T34FK5	999	230/460	168.0	93.6	1.15	32.17	C, CN
75	3600	365TSC	GT1242A	√	11,045	365TSTFCD6003	945	230/460	168.0	93.6	1.15	32.17	C, MX
75	1800	365TC	B199074.00	D	10,828	D365T17FK8	1079	230/460	171.0	95.4	1.15	34.30	C, CN
75	1800	365TC	GT1243A	√	10,828	365TTFCD6038	1130	230/460	171.0	95.4	1.15	34.30	C, MX
100	3600	405TSC	199075.00	D	14,287	C405T34FK1	1400	230/460	216.0	94.1	1.15	39.76	C, CN
100	3600	405TSC	B199075.00	D	14,287	D405T34FK2	1400	230/460	222.0	94.1	1.15	35.77	C, CN
100	3600	405TSC	GT1245A	√	14,287	405TSTFCD6003	1060	230/460	222.0	94.1	1.15	35.77	C, MX
100	1800	405TC	199076.00	D	13,003	C405T17FK1	1430	230/460	224.0	95.4	1.15	42.76	C, CN
100	1800	405TC	B199076.00	D	13,003	D405T17FK5	1430	230/460	226.0	95.4	1.15	38.77	C, CN
100	1800	405TC	GT1246A	√	13,003	405TTFCD6038	1317	230/460	226.0	95.4	1.15	38.77	C, MX

Shaded model numbers are cast iron frame.

Green items are Premium Efficient.

D - Item to be discontinued once inventory is depleted.

* amps at 460 volts.

♥ Note listing on inside back flap.
Specifications are subject to change without notice.



Three Phase Motors Totally Enclosed

Ultimate e® / Globetrotter® General Purpose Motors

Three Phase - Totally Enclosed - C Face With Base

Note: When ordering catalog numbers beginning with GT, use the model number instead of the catalog number.

HP	SYN RPM 60 Hz	NEMA® Frame	Catalog Number	Stock	List Price	Model Number	App. Wgt. (lbs)	Voltage	F. L. Amps @ 230 V	% F.L. Eff.	Service Factor	"C" Dim. (Inches)	♥Notes
3	3600	182TC	199082.00	D	1,147	C182T34FC1	77	230/460	7.6	86.5	1.15	15.75	C, CN
3	3600	182TC	B199082.00	D	1,056	D182T34FC65A	77	230/460	8.0	86.5	1.15	15.85	S, CN
3	3600	182TC	GT1309A	√	1,056	182TTFBD6004	83	230/460	8.0	86.5	1.15	15.85	S, MX
3	1800	182TC	199083.00	D	1,043	C182T17FC1	87	230/460	7.8	89.5	1.15	15.75	C, CN
3	1800	182TC	B199083.00	D	1,043	D182T17FC65	87	230/460	8.0	89.5	1.15	15.85	S, CN
3	1800	182TC	GT1310A	√	1,043	182TTFBD6029	87	230/460	8.0	89.5	1.15	15.85	S, MX
5	3600	184TC	199084.00	D	1,272	C184T34FC1	91	230/460	11.6	88.5	1.15	16.73	C, CN
5	3600	184TC	B199084.00	D	1,171	D184T34FC46	91	230/460	12.0	88.5	1.15	16.85	S, CN
5	3600	184TC	GT1312A	√	1,171	184TTFBD6004	95	230/460	12.0	88.5	1.15	16.85	S, MX
5	1800	184TC	199085.00	D	1,137	C184T17FC1	104	230/460	12.4	89.5	1.15	16.73	C, CN
5	1800	184TC	B199085.00	D	1,137	D184T17FC68	104	230/460	13.0	89.5	1.15	16.85	S, CN
5	1800	184TC	GT1313A	√	1,137	184TTFBD6029	110	230/460	13.0	89.5	1.15	16.85	S, MX
7 1/2	3600	213TC	B199086.00	D	1,542	C213T34FC44	140	230/460	18.4	89.5	1.15	19.10	S, CN
7 1/2	3600	213TC	GT1315A	√	1,542	213TTFBD6004	242	230/460	18.4	89.5	1.15	19.10	S, MX
7 1/2	1800	213TC	199087.00	D	1,441	C213T17FC1	152	230/460	18.6	91.7	1.15	19.53	C, CN
7 1/2	1800	213TC	B199087.00	D	1,347	C213T17FC43	143	230/460	19.0	91.7	1.15	19.10	C, CN
7 1/2	1800	213TC	GT1316A	√	1,347	213TTFBD6029	153	230/460	19.0	91.7	1.15	19.10	S, MX
10	3600	215TC	199088.00	D	1,740	C215T34FC1	153	230/460	22.8	90.2	1.15	21.02	C, CN
10	3600	215TC	B199088.00	D	1,625	C215T34FC45	152	230/460	23.6	90.2	1.15	20.70	C, CN
10	3600	215TC	GT1318A	√	1,625	215TTFBD6004	151	230/460	23.6	90.2	1.15	20.70	S, MX
10	1800	215TC	199089.00	D	1,694	C215T17FC1	165	230/460	24.4	91.7	1.15	21.02	C, CN
10	1800	215TC	B199089.00	D	1,583	C215T17FC43	272	230/460	25.0	91.7	1.15	20.70	C, CN
10	1800	215TC	GT1319A	√	1,583	215TTFBD6029	165	230/460	25.0	91.7	1.15	20.70	S, MX

Shaded model numbers are cast iron frame.

Green items are Premium Efficient.

D - Item to be discontinued once inventory is depleted.

♥ Note listing on inside back flap. Specifications are subject to change without notice.

Tech Information

Single Phase ODP Motors

Single Phase TEFC Motors

Three Phase ODP Motors

Three Phase TEFC Motors

Inverter Duty Motors

Severe Duty Motors

Explosion Proof Motors

Automotive Duty Motors



Three Phase Motors Totally Enclosed

Ultimate e® / Globetrotter® General Purpose Motors With Roller Bearings

Features:

- Meets or exceeds NEMA Premium® efficiencies
- Cast iron frame construction
- Class F insulation
- UL Recognized, CSA Certified, CE Mark
- **Roller bearing at the drive end for belted load operation only**

Three Phase - TEFC - Rigid Base

HP	SYN RPM 60 Hz	NEMA® Frame	Catalog Number	Stock	List Price	Model Number	App. Wgt. (lbs)	Voltage	F. L. Amps @ 230 V	% F.L. Eff.	Service Factor	"C" Dim. (Inches)	♥Notes
25	1800	284T	194228.00	D	3,447	C284T17FB9	500	230/460	61.0	93.6	1.15	26.65	C, CN
25	1800	284T	B194228.00	√	3,447	D284T17FB10	420	230/460	61.0	93.6	1.15	26.65	C, CN
25	1200	324T	194229.00	D	6,055	C324T11FB7	555	230/460	66.0	93.0	1.15	32.68	C, CN
25	1200	324T	B194229.00	√	6,055	D324T11FB8	537	230/460	64.0	93.0	1.15	29.69	C, CN
30	1800	286T	194230.00	D	4,011	C286T17FB9	525	230/460	72.5	93.6	1.15	28.14	C, CN
30	1800	286T	B194230.00	√	4,011	D286T17FB10	457	230/460	72.5	93.6	1.15	28.14	C, CN
30	1200	326T	194231.00	√	6,496	D326T11FB8	593	230/460	76.0	93.0	1.15	31.19	C, CN
40	1800	324T	194232.00	D	5,277	C324T17FB10	750	230/460	94.0	94.1	1.15	32.68	C, CN
40	1800	324T	B194232.00	√	5,277	D324T17FB11	590	230/460	95.0	94.1	1.15	31.19	C, CN
40	1200	364T	194233.00	D	8,987	C364T11FB8	950	230/460	94.0	94.1	1.15	36.61	C, CN
40	1200	364T	B194233.00	√	8,987	D364T11FB9	858	230/460	96.0	94.1	1.15	29.69	C, CN
50	1800	326T	194234.00	D	6,477	C326T17FB11	775	230/460	119.0	94.5	1.15	33.86	C, CN
50	1800	326T	B194234.00	√	6,477	D326T17FB12	660	230/460	117.0	94.5	1.15	33.32	C, CN
50	1200	365T	194235.00	D	10,214	C365T11FB11	1000	230/460	117.0	94.1	1.15	38.39	C, CN
50	1200	365T	B194235.00	√	10,214	D365T11FB12	915	230/460	121.0	94.1	1.15	31.19	C, CN
60	1800	364T	194236.00	D	8,837	C364T17FB13	1000	230/460	138.0	95.0	1.15	36.61	C, CN
60	1800	364T	B194236.00	√	8,837	D364T17FB14	853	230/460	138.0	95.0	1.15	34.30	C, CN
60	1200	404T	194237.00	D	11,968	C404T11FB8	1200	230/460	140.0	94.5	1.15	42.72	C, CN
60	1200	404T	B194237.00	√	11,968	D404T11FB9	1154	230/460	143.0	94.5	1.15	33.32	C, CN
75	1800	365T	194238.00	D	10,858	C365T17FB13	1100	230/460	170.0	95.4	1.15	38.39	C, CN
75	1800	365T	B194238.00	√	10,858	D365T17FB14	952	230/460	171.0	95.4	1.15	34.30	C, CN
75	1200	405T	194239.00	D	14,089	C405T11FB9	1300	230/460	174.0	94.5	1.15	42.72	C, CN
75	1200	405T	B194239.00	√	14,089	D405T11FB10	1242	230/460	178.0	94.5	1.15	38.77	C, CN
100	1800	405T	194240.00	D	13,271	C405T17FB11	1375	230/460	224.0	95.4	1.15	42.72	C, CN
100	1800	405T	B194240.00	√	13,271	D405T17FB12	1240	230/460	226.0	95.4	1.15	38.77	C, CN
100	1200	444T	194241.00	√	20,774	D444T11FB10	1790	230/460	229.0	95.0	1.15	46.71	C, CN
125	1800	444T	194242.00	D	18,600	C444T17FB13	1850	460	140.0*	95.4	1.15	50.79	C, CN
125	1800	444T	B194242.00	√	18,600	D444T17FB14	1630	460	140.0*	95.4	1.15	46.71	C, CN
125	1200	445T	194243.00	D	21,678	C445T11FB7	2050	460	142.0*	95.0	1.15	50.79	C, CN
125	1200	445T	B194243.00	√	21,678	D445T11FB8	1875	460	143.0*	95.0	1.15	46.71	C, CN
150	1800	445T	194244.00	D	21,841	C445T17FB16	2050	460	165.0*	95.8	1.15	50.79	C, CN
150	1800	445T	B194244.00	√	21,841	D445T17FB17	1915	460	168.5*	95.8	1.15	46.71	C, CN
150	1200	447T	194245.00	D	27,564	C447T11FB5	2500	460	170.0*	95.8	1.15	55.91	C, CN
150	1200	447T	B194245.00	√	27,564	D447T11FB10	2320	460	170.5*	95.8	1.15	55.21	C, CN
200	1800	447T	194246.00	D	26,562	C447T17FB9	2350	460	225.0*	96.2	1.15	55.91	C, CN
200	1800	447T	B194246.00	√	26,562	D447T17FB10	2190	460	219.0*	96.2	1.15	55.21	C, CN
200	1200	449T	194247.00	√	29,357	D449T11FB6	2385	460	227.0*	95.8	1.15	55.21	C, CN

Shaded model numbers are cast iron frame.

♥ Note listing on inside back flap.

Specifications are subject to change without notice.

Green items are Premium Efficient.

D - Item to be discontinued once inventory is depleted.

* amps at 460 volts.



Three Phase Motors Totally Enclosed TENV Motors - Three Phase - Rigid Base



Tech Information

Single Phase
ODP Motors

Single Phase
TEFC Motors

Three Phase
ODP Motors

Three Phase
TEFC Motors

Inverter Duty
Motors

Severe Duty
Motors

Explosion Proof
Motors

Automotive
Duty Motors

Three Phase - TENV - Rigid Base

HP	SYN RPM 60 Hz	NEMA® Frame	Catalog Number	Stock	List Price	Model Number	App. Wgt. (lbs)	Voltage	F. L. Amps @ 230 V	% F.L. Eff.	Service Factor	"C" Dim. (Inches)	♥Notes
1/6	3600	42	092014.00	C/A	511	C42T34NB2	14	208-230/460	0.7	65.0	1.00	7.56	S, US
1/6	1800	42	092015.00	√	559	C42T17NB1	15	208-230/460	0.9	66.0	1.00	7.56	S, US
1/4	3600	42	092016.00	C/A	588	C42T34NB3	16	208-230/460	0.9	74.0	1.00	8.06	S, US
1/4	1800	48	100123.00	√	425	C4T17NB3	17	208-230/460	0.9	78.0	1.15	9.18	S, MX
1/4	1800	S56	101649.00	√	425	C4T17NH8	18	208-230/460	0.9	78.0	1.15	9.56	S, MX
1/3	3600	48	101013.00	√	407	C4T34NB3	20	208-230/460	1.2	72.0	1.15	8.62	S, US
1/3	1800	48	100443.00	√	471	C4T17NB5	20	208-230/460	1.2	78.0	1.15	9.68	S, MX
1/3	1800	S56	102920.00	√	469	C4T17NH13	20	208-230/460	1.3	77.0	1.15	9.56	S, MX
1/2	3600	56	110143.00	√	471	C6T34NB1	28	208-230/460	1.7	82.5	1.15	10.40	S, US
1/2	1800	S56	102918.00	√	548	C4T17NH12	21	208-230/460	1.8	77.0	1.15	10.06	S, MX
3/4	1800	56	114309.00	√	595	C6T17NB53	29	208-230/460	2.5	80.0	1.15	10.90	S, US

Note - Motors 121098.00 and 121099.00 moved to TEFC designs to meet EISA regulations.
C/A - Check Availability.

♥ Note listing on inside back flap.
Specifications are subject to change without notice.

Three Phase Motors Totally Enclosed F2 Conduit Box Mount Motors - TEFC - Three Phase General Purpose Applications



Three Phase - TEFC - Rigid Base

HP	SYN RPM 60 Hz	NEMA Frame	Catalog Number	Stock	List Price	Model Number	App. Wgt. (lbs)	Voltage	F. L. Amps @ 230 V	% F.L. Eff.	Service Factor	"C" Dim. (Inches)	♥Notes
3	1800	182T	132237.00	C/A	1,108	C182T17FB50	80	208-230/460	7.8	89.5	1.15	13.96	S, MX
5	1800	184T	132236.00	√	1,219	C184T17FB62	90	208-230/460	12.6	89.5	1.15	14.96	S, MX
7	1800	213T	140832.00	C/A	1,565	C213T17FB18	154	208-230/460	21.6	91.7	1.25	18.70	S, MX

Green items are Premium Efficient.

C/A - Check Availability.

Note: For larger F2 mount motors, G150 & 170 Series cast iron motors may be converted to F2 by reassembly. Contact factory for F2 mounting for Lincoln Brand motors.

♥ Note listing on inside back flap.
Specifications are subject to change without notice.



Three Phase Motors Totally Enclosed Compressor Duty

General Specifications:

Motors designed for air compressor, pump, fan and blower duty applications which require high breakdown torque and rugged mechanical construction.

Mechanical Features:

- Double shielded ball bearings
- Designed for belted loads
- Class F insulation



Three Phase - TEFC - Rigid Base

HP	SYN RPM 60 Hz	NEMA® Frame	Catalog Number	Stock	List Price	Model Number	App. Wgt. (lbs)	Voltage	F. L. Amps @ 230 V	% FL. Eff.	Service Factor	"C" Dim. (Inches)	♥Notes
3	1800	182T	131463.00	√	1,108	C182T17FB32	83	208-230/460	7.8	89.5	1.15	13.96	S, MX, T
3	1800	182T	LM32741	√	1,108	SSF4B3T61	74	208-230/460	7.8	89.5	1.15	13.96	S, MX
5	1800	182T	131464.00	√	1,219	C184T17FB42	87	208-230/460	12.6	89.5	1.15	14.96	S, MX, T
5	1800	182T	LM33266	√	1,219	SSF4B5T61	85	208-230/460	12.6	89.5	1.15	14.96	S, MX
7 1/2	1800	213T	140450.00	√	1,565	C213T17FB6	153	208-230/460	21.6	91.7	1.25	18.70	S, MX, T
7 1/2	1800	213T	LM32805	√	1,446	SSF4B7.5T6	129	208-230/460	19.4	91.7	1.25	20.23	S, MX
10	1800	215T	140451.00	√	1,893	C215T17FB18	161	208-230/460	26.8	91.7	1.25	19.70	S, MX, T
10	1800	215T	LM32809	√	1,784	SSF4B10T6	168	208-230/460	26.0	91.7	1.25	21.48	S, MX
15	1800	254T	170066.60	√	2,874	C254T17FB10	290	208-230/460	37.0	92.4	1.25	23.19	C, CN, T
15	1800	254T	LM24208	√	3,119	CCF4B15T6	360	208-230/460	37.5	92.4	1.25	23.52	C, US
20	1800	256T	170007.60	√	3,596	C256T17FB4	332	208-230/460	50.0	93.0	1.15	24.92	C, CN, T

Shaded model numbers are cast iron frame.

Green items are Premium Efficient.

Note T - N/C T-stats

♥ Note listing on inside back flap.
Specifications are subject to change without notice.

Three Phase Motors Totally Enclosed Resilient Base Motors - Three Phase General Purpose or Fan & Blower Service

Mechanical Features:

- Industrial duty designs
- Suitable for belt driven or fan-on-shaft applications
- Ball bearings



Three Phase - Totally Enclosed - Resilient Base

HP	SYN RPM 60 Hz	NEMA Frame	Catalog Number	Stock	List Price	Model Number	App. Wgt. (lbs)	Voltage	F. L. Amps @ 230 V	% FL. Eff.	Service Factor	"C" Dim. (Inches)	♥Notes
1/2	1800	56	111917.00	√	626	C6T17NR1	28	208-230/460	1.8	78.5	1.15	11.31	S, US, 12
1	1800	56H	119419.00	√	908	C6T17FR3	38	208-230/460	3.2	85.5	1.15	13.84	S, US, 6, 13

Green items are Premium Efficient.

♥ Note listing on inside back flap.
Specifications are subject to change without notice.

Three Phase Motors Totally Enclosed

Sub-FHP Motors - Inverter Rated - Three Phase

Tech Information

Single Phase
ODP Motors

Single Phase
TEFC Motors

Three Phase
ODP Motors

Three Phase
TEFC Motors

Inverter Duty
Motors

Severe Duty
Motors

Explosion Proof
Motors

Automotive
Duty Motors

Features:

- Designed with the exclusive IRIS® inverter rated insulation system
- Provides superior protection against voltage spikes induced by variable frequency drives
- Double shielded motor ball bearings
- Needle bearings in the parallel shaft gearboxes
- Ball bearings in the right angle (worm) gearboxes
- Steel conduit box provided as standard
- Finished in high gloss hardened black enamel paint

Application Notes:

- Designed with high temperature insulation (Class F) to prevent overheating when operated with a PWM inverter down to a 10:1 speed range from the printed motor's speed range



Three Phase - 230 Volt - Totally Enclosed - C Face With Base

HP	SYN RPM 60 Hz	NEMA® Frame	Catalog Number	Stock	List Price	Model Number	App. Wgt. (lbs)	F. L. Amps @ 230 V	♥Notes
1/15	1725	38	M1140171.00	√	468	CM38T17NK1	7	0.4	S, US, 12
1/6	1725	38	M1140173.00	C/A	464	CM38T17NK2	8	0.7	S, US, 13
1/4	1725	38	M1140172.00	C/A	542	CM38T17FK3	9	1.1	S, US, 13

C/A - Check Availability.
Note 12 - TENV.
Note 13 - TEFC.

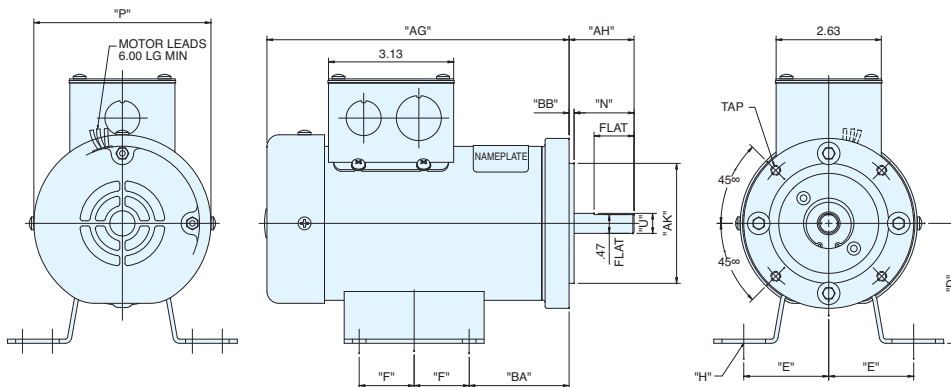
♥ Note listing on inside back flap.
Specifications are subject to change without notice.

38 Frame NEMA® C Face With Base Dimensions

Catalog Number	AG	P	U	AH	BB	AJ	TAP	R	AK	BB	D	BA	E	F	H
M1140171.00	5.14	3.85	0.5	1.63	1	3.75	1/3/16	4.25	3.0	0.1	3.00	1.50	2.125	1.375	11/32 Slot
M1140173.00	6.14	3.85	0.5	1.63	1	3.75	1/3/16	4.25	3.0	0.1	3.00	1.50	2.125	1.375	11/32 Slot
M1140172.00	7.56	4.43	0.5	1.63	1	3.75	1/3/16	4.25	3.0	0.1	3.00	1.50	2.125	1.375	11/32 Slot

Specifications are subject to change without notice.

AC 38 48C ALL DIMENSIONS IN INCHES



Both motors and gearmotors will have inverter rated printed on the nameplate.
UL and CSA recognition for both motors only and gearmotors.



NEMA is believed to be the trademark of National Electrical Manufacturers Corporation, and is not owned or controlled by Regal Beloit Corporation.

Three Phase C Face Motors

Inverter Duty - FHP™ Motors

Features:

- Compact 48-frame design with keyed shaft
- Class F insulation
- 20:1 constant torque rated
- Inverter IRIS® insulation system
- 1/2" diameter keyed shaft with 48-C Face
- 115/230V three phase design optimized for FHP drives
- Designed to be used with FHP AC Drives



Three Phase - TEFC - C Face With Base

HP	SYN RPM 60 Hz	NEMA® Frame	Catalog Number	Stock	List Price	Model Number	App. Wgt. (lbs)	Voltage	F. L. Amps @ 230 V	% F.L. Eff.	Service Factor	"C" Dim. (Inches)	♥Notes
1/6	1800	48CZ	102792.00	√	425	C4T17FK7	25	115/230	1.3	56.0	1.15	8.94	S, MX
1/4	1800	48CZ	102793.00	C/A	482	C4T17FK8	26	115/230	1.4	58.0	1.15	8.94	S, MX
1/3	1800	48CZ	102794.00	C/A	528	C4T17FK6	28	115/230	1.6	64.3	1.15	9.19	S, MX
1/2	1800	48CZ	102795.00	C/A	589	C4T17FK9	30	115/230	1.8	77.0	1.15	10.19	S, MX

Green items are Premium Efficient.

C/A - Check Availability.

♥ Note listing on inside back flap.
Specifications are subject to change without notice.



APPLICATION ISSUES?

CONTACT YOUR LOCAL
SALES OFFICE FOR A SOLUTION



Whether you require a motor that withstands extreme temperatures,
requires a unique mount or other requirements,
Regal's sales team has solutions.

To turn your idea or project into reality, call your local sales office or visit regalbeloit.com/Brands/LEESON



Tech Information

Single Phase
ODP Motors

Single Phase
TEFC Motors

Three Phase
ODP Motors

Three Phase
TEFC Motors

Inverter Duty
Motors

Severe Duty
Motors

Explosion Proof
Motors

Automotive
Duty Motors

Inverter Duty Motors

Tech Information

Single Phase
ODP Motors

Single Phase
TEFC Motors

Three Phase
ODP Motors

Three Phase
TEFC Motors

Inverter Duty
Motors

Severe Duty
Motors

Explosion Proof
Motors

Automotive
Duty Motors



- Ideally suited for IGBT inverters
- Inverter duty insulation system
- Over temperature protection
- Speedmaster® and CTAC™ models – 2000 : 1 speed range
- Provisions for encoder mounting
- Lincoln vector duty CTA motor models include 1024 ppr encoder
- Drip-proof and totally enclosed models available
- Precision balanced rotor assemblies
- Speedmaster Plus® inverter duty motors
- Permanent magnet AC motors

Applications:

For use in constant torque (conveyors and machine tools) or variable torque (pumps and fans) variable speed applications within the stated speed range of the motor.





Inverter Duty Motors

Inverter Duty Motors / Vector Duty Motors

2000:1 Speed Range

With Encoder Mounting Provisions



Features:

- Class H inverter insulation system on LEESON® motor models, Class F on Lincoln Motors models
- No blower needed on 256T frame and smaller motors
- Constant torque operation from 0 to base RPM rating with vector drives
- C Face with rigid base through 100 HP on LEESON motor models, Lincoln Motors models through 5 HP
- TEBC designs utilize 3-phase blower motors
- Normally closed thermostats
- Cast iron, steel and aluminum frame construction - see Notes
- Provisions for Encoder feedback devices - all LEESON and Lincoln Motors Q10 models
- LEESON motor models, 180 frame and higher, include internal shaft grounding rings (SGRs)
- Precision balanced rotors
- UL recognized and CSA certified

Three Phase - Totally Enclosed - Rigid Base & Rigid C Face

For use with inverters only

HP	SYN RPM 60 Hz	NEMA® Frame	Catalog Number	Stock	List Price	Model Number	App. Wgt. (lbs)	Voltage	F. L. Amps @ 230 V	Max. RPM	Service Factor	"C" Dim. (Inches)	Inverter Speed Range	♥Notes
1/3	1800	56C	LM10336	✓	692	SRF4S0.33TC61Q20	22	230/460	1.6	4000	1.0	11.31	10:1	S, US, 13
1/2	1800	56C	LM24264	C/A	797	SRF4S0.5TC61Q20	24	230/460	2.4	4000	1.0	11.81	10:1	S, US, 13
1/2	1200	56HC	LM10338	C/A	947	SRF6S0.5TC61Q20	41	230/460	2.6	4000	1.0	12.32	10:1	S, US, 13
3/4	1800	56HC	LM10339	✓	899	SRF4S0.75TC61Q20	25	230/460	3.0	4000	1.0	11.82	10:1	S, US, 13
1	1800	56HC	LM10340	✓	1,729	SRF4S1TC61Q20	27	230/460	3.6	4000	1.0	12.32	10:1	S, US, 13
1	1800	143TC	810548.00	✓	1,829	143THTN8037	64	230/460	3.0	5400	1.0	13.68	2000:1	C, US, 12
1	1800	145TC	LM26359	✓	1,752	SSN4S1TC61Q10	52	230/460	4.0	5000	1.0	15.39	2000:1	S, US, 12
1	1200	182TC	LM06103	✓	1,982	AAN6S1TC61Q10	78	230/460	3.6	4800	1.0	12.94	2000:1	A, US, 12
1	900	184TC	LM06105	C/A	2,473	AAN8S1TC61Q10	100	230/460	5.0	4800	1.15	16.57	2000:1	A, US, 12
1 1/2	1800	145TC	810547.00	✓	2,014	145THTN8044	64	230/460	4.6	5400	1.0	14.68	2000:1	C, US, 12
1 1/2	1800	145TC	LM26233	C/A	1,944	SSN4S1.5TC61Q10	67	230/460	4.8	5000	1.0	15.39	2000:1	S, US, 12
1 1/2	1200	56HC	119796.00	✓	1,007	C6T11FK18	46	230/460	5.7	4000	1.0	12.98	2:1	S, US, 13
1 1/2	1200	145TC	122337.00	✓	1,102	C145T11FK11	42	230/460	5.7	4000	1.0	13.42	2:1	S, US, 13
2	1800	145TC	810546.00	✓	2,103	145THTN8045	70	230/460	6.0	5400	1.0	14.68	2000:1	C, US, 12
2	1800	182TC	LM33591	C/A	2,111	AAN4S2TC61Q10AP26	74	230/460	8.2	4800	1.0	15.88	2000:1	A, MX, 12
3	1800	182TC	811320.00	✓	2,512	182THTS8051	117	230/460	8.0	5400	1.0	16.68	2000:1	C, US, 12
3	1800	56HC	119797.00	✓	1,085	C6T17FK116	47	230/460	8.6	4000	1.0	13.48	2:1	S, US, 13
3	1800	145TC	122338.00	✓	1,196	C145T17FK84	47	230/460	8.6	4000	1.0	13.92	2:1	S, US, 13
3	1800	184TC	LM33492	C/A	2,455	AAN4S3TC61Q10AP26	78	230/460	8.2	4800	1.0	15.88	2000:1	A, MX, 12
3	1200	215TC	LM06121	C/A	3,915	AN5S3TC61Q10	152	230/460	12.2	4600	1.0	20.54	2000:1	A, US, 12

Shaded model numbers are cast iron frame.

Continued on next page.

C/A - Check Availability.
 Note 12 - TENV.
 Note 13 - TEFC.

♥ Note listing on inside back flap.
 Specifications are subject to change without notice.



Inverter Duty Motors

Inverter Duty Motors / Vector Duty Motors - 2000:1 Speed Range

With Encoder Mounting Provisions

Three Phase - Totally Enclosed - Rigid Base & Rigid C Face

For use with inverters only

HP	SYN RPM 60 Hz	NEMA® Frame	Catalog Number	Stock	List Price	Model Number	App. Wgt. (lbs)	Voltage	F. L. Amps @ 230 V	Max. RPM	Service Factor	"C" Dim. (Inches)	Inverter Speed Range	♥Notes
5	1800	184TC	811322.00	√	2,784	184THTS8058	120	230/460	13.4	5400	1.0	17.68	2000:1	C, US, 12
5	1800	213TC	LM06125	√	2,817	AN4S5TC61Q10	115	230/460	15.6	4600	1.0	17.94	2000:1	A, US, 12
7 1/2	1800	213TC	810157.00	√	3,746	213THTS8070	220	230/460	21.0	4200	1.0	20.56	2000:1	C, US, 12
10	1800	215TC	810140.00	√	4,426	215THTS8070	300	230/460	26.0	4200	1.0	21.81	2000:1	C, US, 12
15	1800	254TC	810066.00	√	5,306	254THTNA8060	325	230/460	40.5	4200	1.0	23.38	2000:1	C, US, 12
15	1200	284TC	810068.00	C/A	11,206	284THTPA7090	456	230/460	40.0	3600	1.0	37.81	2000:1	C, US, 11
20	1800	256TC	810007.00	√	7,230	256THTNA8070	435	230/460	52.0	4200	1.0	27.13	2000:1	C, US, 12
20	1200	286TC	810001.00	C/A	13,424	286THFPA8090	450	230/460	52.5	3600	1.0	39.31	2000:1	C, US, 11
25	1800	284TC	810011.00	C/A	9,010	284THFPA8060	409	230/460	63.0	3600	1.0	37.81	2000:1	C, US, 11
25	1200	324TC	810003.00	C/A	15,794	324THFPA8090	630	230/460	67.0	3600	1.0	40.41	2000:1	C, US, 11
30	1800	286TC	810015.00	√	9,922	286THFPA8040	530	230/460	74.0	4200	1.0	39.31	2000:1	C, US, 11
30	1200	326TC	810005.00	C/A	17,380	326THFPA8090	696	230/460	80.5	3600	1.0	41.91	2000:1	C, US, 11
40	1800	324TC	810019.00	C/A	12,549	324THFPA8050	620	230/460	100.0	3600	1.0	40.41	2000:1	C, US, 11
40	1200	364TC	810096.00	√	20,959	364THFS18079	995	230/460	107.0	2700	1.0	42.67	2000:1	C, US, 11
50	1800	326TC	810023.00	C/A	14,802	326THFPA8040	650	230/460	120.0	3600	1.0	41.91	2000:1	C, US, 11
50	1200	365TC	810097.00	C/A	25,126	365THFS8397	1,121	230/460	130.0	2700	1.0	43.67	2000:1	C, US, 11
60	1800	364TC	810027.00	√	19,051	364THFS8059	995	230/460	147.0	2700	1.0	42.67	2000:1	C, US, 11
60	1200	404TC	810098.00	C/A	27,874	404THFS8378	1,000	230/460	142.0	2700	1.0	48.22	2000:1	C, US, 11
75	1800	365TC	810031.00	√	22,845	365THFS8074	1,070	230/460	180.0	2700	1.0	43.67	2000:1	C, US, 11
75	1200	405TC	810099.00	C/A	33,962	405THFS8386	1,370	230/460	180.0	2700	1.0	49.72	2000:1	C, US, 11
100	1800	405TC	810087.00	C/A	27,832	405THFS8329	1,420	230/460	230.0	2700	1.0	49.72	2000:1	C, US, 11
100	1200	444TC	811367.00	C/A	38,500	444THFN8389	2,082	230/460	250.0	2700	1.0	52.72	2000:1	C, US, 11
125	1800	444T	811369.00	C/A	35,097	444THFN8050	2,020	460	138*	2700	1.0	52.85	2000:1	C, US, 11
150	1800	445T	811371.00	C/A	39,822	445THFN8334	2,341	460	170*	2700	1.0	54.85	2000:1	C, US, 11
200	1800	445T	810503.00	C/A	47,137	445THFN8335	2,500	460	230*	2700	1.0	54.85	2000:1	C, US, 11
250	1800	449T	811516.00	C/A	62,450	449THFS8328	3,200	460	295*	2700	1.0	64.34	2000:1	C, US, 11
300	1800	449T	811529.00	C/A	79,163	449THFS8329	3,410	460	327*	2700	1.0	63.35	2000:1	C, US, 11
350	1800	449T	811530.00	C/A	96,560	449THFS8330	3,520	460	385*	2700	1.0	64.34	2000:1	C, US, 11

Shaded model numbers are cast iron frame.

♥ Note listing on inside back flap.

Specifications are subject to change without notice.

*FL. Amps at 460 Volts.

C/A - Check Availability.

Note 11 - TEBC.

Note 12 - TENN.



Encoder Kits For Speedmaster® 81,000 Series 2000:1 Motors

Description	Enclosure	Frame	Brand/Model	PPR	Catalog Number	List Price
Encoders						
Modular Mount, 5-15 VDC, with EPIC connector	TENV	143-256T	Northstar® SL56	1024	E175927.00	4,056
Shaft Mount, 5-26 VDC, with 10 pin connector	TENV	143-256T	Dynapar® HS35	1024	E175928.00	2,605
Shaft Mount, 5-26 VDC, with 10 pin connector	TENV	143-256T	BEI® HS35	1024	E175929.00	2,605
Shaft Mount, 5-26 VDC, with 10 pin connector	TENV	143-256T	Dynapar HS35	2048	E175930.00	2,605
Shaft Mount, 5-26 VDC, with 10 pin connector	TENV	143-256T	BEI HS35	2048	E175931.00	2,605
Modular Mount, 5-15 VDC (Encoder Conduit Box Required)	TEBC	284-449T	Northstar SL56	1024	E175921.00	4,056
Shaft Mount, 5-26 VDC (Encoder Conduit Box Required)	TEBC	284-449T	Dynapar HS35	1024	E175922.00	2,605
Shaft Mount, 5-26 VDC (Encoder Conduit Box Required)	TEBC	284-449T	BEI HS35	1024	E175923.00	2,605
Shaft Mount, 5-26 VDC (Encoder Conduit Box Required)	TEBC	284-449T	Dynapar HS35	2048	E175924.00	2,605
Shaft Mount, 5-26 VDC (Encoder Conduit Box Required)	TEBC	284-449T	BEI HS35	2048	E175925.00	2,605
Conduit Box Required for all TEBC Units	—	—	—	—	ECB175926.00	289

All Encoders are shipped separate for field installation.

Tech Information

Single Phase
ODP Motors

Single Phase
TEFC Motors

Three Phase
ODP Motors

Three Phase
TEFC Motors

Inverter Duty
Motors

Severe Duty
Motors

Explosion Proof
Motors

Automotive
Duty Motors



LEESON Speedmaster® Plus Inverter Duty Motors

1000:1 Constant Torque

Applications:

Designed for inverter or vector duty applications where up to a 1000:1 constant torque speed range is required. Typical applications would include: conveyors, machine tools, metal processing, pumping equipment and compressors.



Features:

- IRIS® inverter duty insulation system
- Constant torque operation from 0 to base speed on vector drive
- Constant horsepower operation up to twice base RPM
- Normally closed thermostats (one per phase, Class F)
- Ball bearings
- Encoder provisions included on opposite drive end
- UL Recognized, CSA Certified, and CE Mark

Three Phase - TENV - C Face With Base - ♦ C Face Less Base

For use with inverters only

HP	SYN RPM 60 Hz	NEMA® Frame	Catalog Number	Stock	List Price	Model Number	App. Wgt. (lbs)	Voltage	F. L. Amps @ 230 V	Service Factor	"C" Dim. (Inches)	♥Notes
1/4	1800	56C	119286.00	√	704	C6T17NK49	19	230/460	1.2	1.0	11.88	S, MX
1/2	1800	56C	119287.00	√	882	C6T17NK51	27	230/460	1.6	1.0	13.48	S, MX
1/2	1800	56C	119392.00 ♦	√	868	C6T17NC111	21	230/460	2.0	1.0	10.44	S, MX, ♦
3/4	1800	56C	119397.00 ♦	√	952	C6T17NC340	35	230/460	2.6	1.0	12.44	S, MX, ♦
1	1800	56C	119289.00	√	1,053	C6T17NK50	42	230/460	3.0	1.0	14.98	S, MX
1	1800	143TC	122129.00	√	1,082	C143T17NK4	44	230/460	3.0	1.0	15.04	S, MX
1	1800	143TC	122168.00 ♦	√	1,150	C143T17NC4	43	230/460	3.2	1.0	12.49	S, MX, ♦
1	1200	145TC	122130.00	√	1,362	C143T11NK3	49	230/460	3.8	1.0	16.04	S, MX
1 1/2	1800	145TC	122131.00	√	1,313	C145T17NK6	50	230/460	4.8	1.0	16.04	S, MX
2	1800	145TC	122132.00	√	1,692	C145T17NK5	52	230/460	6.0	1.0	16.04	S, MX
2	1200	184TC	811618.00	√	2,597	184THTL17079	89	230/460	6.6	1.0	16.94	A, MX
3	1800	182TC	811619.00	√	2,249	182THTY17054	79	230/460	8.4	1.0	17.39	A, MX
3	1200	213TC	811621.00	√	3,197	213THTL17081	123	230/460	9.4	1.0	19.94	A, US
5	1800	184TC	811625.00	√	2,687	184THTY17045	146	230/460	13.4	1.0	20.54	A, MX
5	1200	215TC	811624.00	√	3,891	215THTL17086	137	230/460	15.4	1.0	20.54	A, US
7 1/2	1800	213TC	811622.00	√	3,528	213THTL17044	195	230/460	21.0	1.0	20.54	A, US
7 1/2	1200	254TC	811627.00	√	5,233	254THTL17081	225	230/460	22.0	1.0	25.37	A, US
10	1800	215TC	811628.00	√	4,219	215THTL17047	219	230/460	27.0	1.0	23.04	A, US
10	1200	256TC	811630.00	√	5,923	256THTL17083	239	230/460	28.0	1.0	26.87	A, US
15	1800	254TC	811631.00	√	5,021	254THTL17049	240	230/460	40.0	1.0	26.87	A, US
20	1800	256TC	811633.00	√	7,329	256HTNA16034	390	230/460	52.0	1.0	27.13	C, US
25	1800	284TC	811635.00	√	7,971	284HTNA16039	488	230/460	62.0	1.0	27.08	C, US
30	1800	286TC	811637.00	√	8,990	286HTNA17042	541	230/460	74.0	1.0	28.58	C, US

Shaded model numbers are cast iron frame.

♥ Note listing on inside back flap.

Specifications are subject to change without notice.

♦ - C Face Less Base with no Encoder mounting provision.



Inverter Duty Motors

Vector Duty Motors - 2000:1 Speed Range

With 1024 ppr Encoder

Tech Information

Single Phase
ODP Motors

Single Phase
TEFC Motors

Three Phase
ODP Motors

Three Phase
TEFC Motors

Inverter Duty
Motors

Severe Duty
Motors

Explosion Proof
Motors

Automotive
Duty Motors

Features:

- Inverter duty insulation system
- Constant HP range at 2x base speed 56 - 256T frames
- Constant HP range at 1.5x base speed 284T - 445T frames
- Includes 1024 ppr encoder with differential line driver
- Normally closed thermostats
- Steel and aluminum frame construction - see notes
- C Face designs through 10 HP
- Precision balanced rotors



Three Phase - Totally Enclosed - Rigid Base & Rigid C Face

For use with inverters only

HP	SYN RPM 60 Hz	NEMA® Frame	Catalog Number	Stock	List Price	Model Number	App. Wgt. (lbs)	Voltage	F. L. Amps @ 230 V	Max. RPM	Service Factor	"C" Dim. (Inches)	Inverter Speed Range	♥Notes
1/3	1800	56C	LM10346	√	2,613	SRN4S0.33TC61Q15	43	208-230/460	1.0	5000	1.00	14.47	2000 : 1	S, US, 12
1/2	1800	56C	LM10347	√	2,727	SRN4S0.5TC61Q15	43	208-230/460	1.6	5000	1.00	14.47	2000 : 1	S, US, 12
3/4	1800	56HC	LM10349	C/A	2,821	SRN4S0.75TC61Q15	54	208-230/460	2.6	5000	1.00	15.97	2000 : 1	S, US, 12
1	1800	56HC	LM10350	C/A	4,178	SRN4S1TC61Q15	54	208-230/460	3.2	5000	1.00	15.97	2000 : 1	S, US, 12
1	1800	145TC	LM26109	C/A	3,847	SSN4S1TC61Q15	82	208-230/460	3.0	5000	1.00	16.03	2000 : 1	S, US, 12
1 1/2	1800	145TC	LM26278	C/A	4,133	SSN4S1.5TC61Q15	85	208-230/460	4.8	5000	1.00	17.03	2000 : 1	S, US, 12
2	1800	182TC	LM33595	√	4,259	AAN4S2TC61Q15AP26	98	208-230/460	6.6	5400	1.00	19.84	2000 : 1	A, US, 12
3	1800	184TC	LM33491	√	4,479	AANS3TC61Q15AP26	92	208-230/460	8.2	5400	1.00	19.84	2000 : 1	A, MX, 12
5	1800	213TC	LM04003	C/A	4,969	AAN4S5TC61Q15	115	208-230/460	15.6	4600	1.00	21.14	2000 : 1	A, US, 12
7 1/2	1800	215TC	LM31463	C/A	5,906	AN4S7.5TC61Q15	155	208-230/460	21.0	4600	1.00	22.54	2000 : 1	A, US, 12
10	1800	256TC	LM30572	C/A	6,215	AN4S10TC61Q15	235	208-230/460	27.0	4400	1.00	—	2000 : 1	A, US, 12
25	1800	284T	811639.00	C/A	9,166	284THFPA17034	438	208-230/460	65.0	3600	1.00	37.48	2000 : 1	C, US, 11
30	1800	286T	811640.00	C/A	10,223	286THFPA18043	520	208-230/460	74.0	4200	1.00	38.98	2000 : 1	C, US, 11
40	1800	324T	LM03285	C/A	14,772	SB4H40T61Q15	550	208-230/460	98.0	4000	1.00	43.41	2000 : 1	S, US, 11
50	1800	326T	LM03333	C/A	14,981	SB4H50T61Q15	550	208-230/460	—	4000	1.00	—	2000 : 1	S, US, 11
60	1800	364T	LM03377	C/A	18,696	SB4H60T61YQ15	690	208-230/460	146.0	3800	1.00	48.29	2000 : 1	S, US, 11
75	1800	365T	LM03425	C/A	21,606	SB4P75T61YQ15	740	208-230/460	180.0	3800	1.00	49.29	2000 : 1	S, US, 11
100	1800	405T	LM03473	C/A	31,437	SB4H100T61YQ15	1,000	208-230/460	240.0	3600	1.00	53.23	2000 : 1	S, US, 11

Shaded model numbers are cast iron frame.

♥ Note listing on inside back flap.
Specifications are subject to change without notice.

*FL. Amps at 460 Volts.
C/A - Check Availability.
Note 11 - TEBC.
Note 12 - TENV.



Inverter Duty Motors

Lincoln Motors™ Inverter Duty Motors - 4:1 Speed Range - Totally Enclosed

Features:

- Inverter duty insulation system
- Constant HP range at 2x base speed 56 - 256T frames
- Constant HP range at 1.5x base speed 284T - 445T frames
- No mounting available for encoder devices
- Normally closed thermostats
- Steel and aluminum frame construction - see notes
- Precision balanced rotors



**Product Line
Discontinued
Once Stock is
Depleted**



Three Phase - Totally Enclosed - Rigid Base

For use with inverters only

HP	SYN RPM 60 Hz	NEMA® Frame	Catalog Number	Stock	List Price	Model Number	App. Wgt. (lbs)	Voltage	F. L. Amps @ 230 V	Max. RPM	Service Factor	% FL. Eff.	"C" Dim. (Inches)	Inverter Speed Range	♥Notes
1	1800	56	LM22660	√	860	SRF4S1T61Q40	28	230/460	3.6	4000	1.00	78.5	12.32	4:1	S, US
1 1/2	1800	145T	LM26098	C/A	976	SSF4P1.5T61Q40	40	230/460	5.0	4000	1.00	84.0	13.87	4:1	S, US
2	1800	145T	LM25991	C/A	1,016	SSF4P2T61Q40	46	230/460	6.0	4000	1.00	84.0	14.37	4:1	S, US
3	3600	182T	LM21189	C/A	1,338	AAF2P3T61Q40	83	230/460	7.4	4000	1.00	85.5	14.19	4:1	A, US
3	1800	182T	LM21190	C/A	1,234	AAF4P3T61Q40	83	230/460	8.4	4000	1.00	87.5	14.19	4:1	A, US
5	3600	184T	LM21192	C/A	1,555	AAF2P5T61Q40	92	230/460	12.4	4000	1.00	87.5	15.19	4:1	A, US
5	1800	184T	LM21193	√	1,372	AAF4P5T61Q40	92	230/460	13.4	4000	1.00	87.5	16.19	4:1	A, US
7 1/2	3600	213T	LM21195	C/A	2,101	AF2P75T61Q40	127	230/460	18.0	4600	1.00	88.5	18.30	4:1	A, US
7 1/2	1800	213T	LM21196	√	1,948	AF4P75T61Q40	127	230/460	20.0	4600	1.00	89.5	17.34	4:1	A, US
10	3600	215T	LM21198	C/A	2,300	AF2P10T61Q40	138	230/460	23.6	4600	1.00	89.5	18.25	4:1	A, US
10	1800	215T	LM21199	√	2,140	AF4P10T61Q40	163	230/460	25.4	4600	1.00	89.5	18.84	4:1	A, US
15	3600	254T	LM21201	C/A	3,071	AAF2P15T61Q40	198	230/460	35.0	4400	1.00	90.2	23.40	4:1	A, US
15	1800	254T	LM21202	√	2,909	AF4P15T61Q40	209	230/460	39.0	4400	1.00	91.0	23.40	4:1	A, US
20	3600	256T	LM21204	C/A	3,522	AF2P20T61Q40	236	230/460	47.0	4400	1.00	90.2	26.10	4:1	A, US
20	1800	256T	LM21205	C/A	3,370	AF4P20T61Q40	236	230/460	50.0	4400	1.00	91.0	25.15	4:1	A, US
25	1800	284T	LM21208	C/A	4,678	AF4P25T61YQ40	363	230/460	64.0	4200	1.00	92.4	26.62	4:1	A, US
30	1800	286T	LM21211	C/A	5,177	AF4P30T61YQ40	465	230/460	80.0	4200	1.00	92.4	28.12	4:1	A, US
40	1800	324T	LM21214	√	8,093	SF4P40T61YQ40	504	230/460	106.0	4000	1.00	93.0	28.50	4:1	S, US
50	1800	326T	LM21217	C/A	8,859	SF4P50T61YQ40	558	230/460	129.0	4000	1.00	93.0	30.00	4:1	S, US
60	1800	364T	LM21220	C/A	11,829	SF4P60T61YQ40	765	230/460	145.0	3800	1.00	93.6	31.90	4:1	S, US
75	1800	365T	LM21223	C/A	15,027	SF4P75T61YQ40	822	230/460	187.0	3800	1.00	94.1	32.90	4:1	S, US
100	1800	405T	LM21227	C/A	19,463	SF4P100T61YQ40	1,002	230/460	240.0	3600	1.00	94.5	38.40	4:1	S, US
125	1800	444T	LM21230	C/A	24,181	SF4P125T64YQ40	1,351	460	146*	3000	1.00	94.5	41.58	4:1	S, US
150	1800	445T	LM21233	C/A	27,972	SF4P150T64YQ40	1,504	460	168*	3000	1.00	95.0	43.58	4:1	S, US
200	1800	445T	LM21236	C/A	33,276	SF4P200T64YQ40	1,504	460	228*	3000	1.00	95.0	43.58	4:1	S, US
250	1800	447T	LM21238	C/A	35,340	SF4P250T64YQ40	1,812	460	283*	2800	1.00	95.0	47.08	4:1	S, US
300	1800	449T	LM21239	C/A	43,341	SF4P300T64YQ40	2,315	460	349*	2800	1.00	95.4	52.08	4:1	S, US

C/A - Check Availability.

* F.L. Amps at 460 V.

♥ Note listing on inside back flap.

Specifications are subject to change without notice.



Three Phase - Totally Enclosed - Rigid C Face

For use with inverters only

HP	SYN RPM 60 Hz	NEMA® Frame	Catalog Number	Stock	List Price	Model Number	App. Wgt. (lbs)	Voltage	F. L. Amps @ 230 V	Max. RPM	Service Factor	% FL. Eff.	"C" Dim. (Inches)	Inverter Speed Range	♥Notes
1/3	1800	56C	LM22645	√	775	SRF4S0.33TC61Q40	33	230/460	1.6	4000	1.0	65.5	11.31	4:1	S, US
1/2	1800	56C	LM22649	√	885	SRF4S0.5TC61Q40	33	230/460	2.4	4000	1.0	68.0	11.81	4:1	S, US
3/4	3600	56C	LM22653	C/A	795	SRF2S0.75TC61Q40	33	230/460	3.4	4000	1.0	74.0	11.81	4:1	S, US
3/4	1800	56C	LM22655	C/A	975	SRF4S0.75TC61Q40	33	230/460	3.0	4000	1.0	75.5	11.81	4:1	S, US
3/4	1200	56C	LM22657	C/A	1,054	SRF6S0.75TC61Q40	33	230/460	3.4	4000	1.0	77.0	12.81	4:1	S, US
1	3600	56C	LM22659	C/A	898	SRF2S1TC61Q40	33	230/460	3.7	4000	1.0	74.0	11.81	4:1	S, US
1	1800	56C	LM22661	√	920	SRF4S1TC61Q40	31	230/460	3.0	4000	1.0	82.5	12.81	4:1	S, US
1	1800	143TC	LM26081	C/A	1,031	SSF4P1TC61Q40	48	230/460	3.0	4000	1.0	82.5	12.87	4:1	S, US
1	1200	145TC	LM26323	C/A	1,231	SSF6P1TC61Q40	48	230/460	3.8	4000	1.0	80.0	14.95	4:1	S, US
1 1/2	1800	56HC	LM22665	C/A	1,011	SRF4S1.5TC61Q40	41	230/460	5.0	4000	1.0	78.5	13.32	4:1	S, US
1 1/2	1800	145TC	LM26008	C/A	1,039	SSF4P1.5TC61Q40	57	230/460	4.8	4000	1.0	85.5	13.87	4:1	S, US
2	1800	145TC	LM25962	√	1,106	SSF4P2TC61Q40	57	230/460	6.0	4000	1.0	85.5	14.37	4:1	S, US
3	3600	182TC	LM22826	C/A	1,437	AAF2P3TC61Q40	74	230/460	7.4	4000	1.0	85.5	14.83	4:1	A, US
3	1800	182TC	LM22827	√	1,332	AAF4P3TC61Q40	91	230/460	8.4	4000	1.0	87.5	14.83	4:1	A, US
5	1800	184TC	LM22830	C/A	1,477	AAF4P5TC61Q40	131	230/460	13.4	4000	1.0	87.5	16.83	4:1	A, US
7 1/2	1800	213TC	LM22833	C/A	1,847	AAF4P7.5TC61Q40	138	230/460	20.0	4600	1.0	89.5	17.95	4:1	A, US
10	1800	215TC	LM22836	C/A	2,140	AF4P10TC61Q40	150	230/460	25.4	4600	1.0	90.2	19.57	4:1	A, US
15	1800	254TC	LM22839	C/A	3,063	AF4P15TC61Q40	221	230/460	39.0	4400	1.0	91.0	23.4	4:1	A, US
20	1800	256TC	LM22841	√	3,523	AF4P20TC61Q40	248	230/460	50.0	4400	1.0	91.0	25.75	4:1	A, US

C/A - Check Availability.

♥ Note listing on inside back flap.
Specifications are subject to change without notice.

Tech Information

Single Phase
ODP Motors

Single Phase
TEFC Motors

Three Phase
ODP Motors

Three Phase
TEFC Motors

Inverter Duty
Motors

Severe Duty
Motors

Explosion Proof
Motors

Automotive
Duty Motors



Inverter Duty Motors

Lincoln Motors™ Inverter Duty Motors - 10:1 Speed Range - Drip-Proof

Features:

- Variable torque speed range with open loop drive of 0-60 Hz
- Constant horsepower speed range of 2x base speed
- Ultimate Spike Defense™ Insulation System
- 1.00 service factor on PWM waveform,
- 1.15 service factor or better on sine-wave power
- Precision dynamic balanced rotor assembly
- Thermal overload protection (Class F thermostats)

Three Phase - Drip-Proof - Rigid Base

For use with inverters only

HP	SYN RPM 60 Hz	NEMA® Frame	Catalog Number	Stock	List Price	Model Number	App. Wgt. (lbs)	Voltage	F. L. Amps @ 230 V	Max. RPM	Service Factor	% FL. Eff.	"C" Dim. (Inches)	Inverter Speed Range	♥Notes
1	1800	143T	LM21148	C/A	890	SSD4P1T61Q40	55	208-230/460	3.1	5000	1.0	82.5	12.49	10:1	S, US
1 1/2	1800	145T	LM21151	C/A	928	SSD4P1.5T61Q40	68	208-230/460	4.4	5000	1.0	84.0	12.49	10:1	S, US
2	1800	145T	LM21153	C/A	980	SSD4P2T61Q40	68	208-230/460	5.8	5000	1.0	84.0	12.99	10:1	S, US
3	1800	182T	LM21157	C/A	1,109	SSD4P3T61Q40	82	208-230/460	8.6	4800	1.0	86.5	13.72	10:1	S, US
5	1800	184T	LM21159	C/A	1,419	SSD4P5T61Q40	71	208-230/460	13.2	4800	1.0	87.5	13.19	10:1	S, US
7 1/2	1800	213T	LM21162	C/A	1,628	SSD4P7.5T61Q40	156	208-230/460	19.4	4600	1.0	90.2	17.29	10:1	S, US
10	1800	215T	LM21165	√	1,914	SSD4P10T61Q40	144	208-230/460	25.0	4600	1.0	89.5	17.29	10:1	S, US
15	1800	254T	LM21168	√	2,733	SSD4P15T61Q40	245	208-230/460	41.0	4400	1.0	91.7	22.32	10:1	S, US
20	1800	256T	LM21171	C/A	3,025	SSD4P20T61Q40	255	208-230/460	52.0	4400	1.0	91.0	22.32	10:1	S, US
25	1800	284T	LM29579	C/A	3,972	CCD4P25T61YQ40	350	208-230/460	61.0	4000	1.0	91.7	23.49	10:1	C, US
30	1800	286T	LM29936	C/A	4,520	CCD4P30T61YQ40	400	208-230/460	72.0	4000	1.0	92.4	24.99	10:1	C, US
40	1800	324T	LM21180	√	6,963	SD4P40T61YQ40	469	208-230/460	106	4000	1.0	93.0	25.82	10:1	S, US
50	1800	326T	LM21118	C/A	7,776	SD4P50T61YQ40	522	208-230/460	130	4000	1.0	93.0	27.51	10:1	S, US
60	1800	364T	LM21121	C/A	10,040	SD4P60T61YQ40	595	208-230/460	145	3600	1.0	93.6	28.40	10:1	S, US
75	1800	365T	LM21124	C/A	14,087	SD4P75T61YQ40	763	208-230/460	176	3800	1.0	95.0	32.90	10:1	S, US
100	1800	404T	LM21127	C/A	14,144	SD4P100T61YQ40	882	208-230/460	244	3600	1.0	94.1	31.81	10:1	S, US
125	1800	405T	LM30727	C/A	14,343	SD4P125T61YQ40	958	208-230/460	304	3600	1.0	95.4	33.31	10:1	S, US

Shaded model numbers are cast iron frame.

C/A - Check Availability.

♥ Note listing on inside back flap. Specifications are subject to change without notice.



Inverter Duty Motors

Sub-FHP Motors - Inverter Rated - Three Phase

Tech Information

Single Phase ODP Motors

Single Phase TEFC Motors

Three Phase ODP Motors

Three Phase TEFC Motors

Inverter Duty Motors

Severe Duty Motors

Explosion Proof Motors

Automotive Duty Motors

Features:

- Designed with exclusive IRIS® inverter rated insulation system
- Provides superior protection against voltage spikes induced by variable frequency drives
- Double shielded motor ball bearings
- Steel conduit box provided as standard
- Finished in high gloss hardened black enamel paint

Application Notes:

- Designed with high temperature insulation (Class F) to prevent overheating when operated with a PWM inverter down to a 10:1 speed range from the printed motor's speed range

Three Phase - Totally Enclosed - Rigid Base - C Face With Base

HP	SYN RPM 60 Hz	NEMA® Frame	Catalog Number	Stock	List Price	Model Number	App. Wgt. (lbs)	F. L. Amps @ 230 V	♥Notes
1/15	1725	38	M1140171.00	√	468	CM38T17NK1	230	0.4	S, US, 12
1/6	1725	38	M1140173.00	C/A	464	CM38T17NK2	230	0.7	S, US, 12
1/4	1725	38	M1140172.00	√	542	CM38T17FK3	230	1.1	S, US, 13

C/A - Check Availability.
Note 12 - TENV.

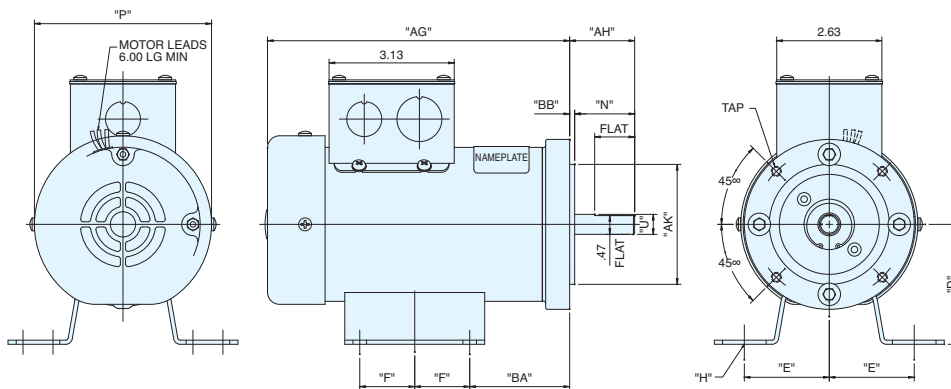
♥ Note listing on inside back flap.
Specifications are subject to change without notice.

38 Frame NEMA® C Face With Base Dimensions

Catalog Number	AG	P	U	AH	BB	AJ	TAP	R	AK	BB	D	BA	E	F	H
M1140171.00	5.14	3.85	0.5	1.63	1	3.75	1/4-20	4.3	3.0	0.13	3.0	2.50	2.125	1.375	11/32 Slot
M1140173.00	6.14	3.85	0.5	1.63	1	3.75	1/4-20	4.3	3.0	0.13	3.0	2.50	2.125	1.375	11/32 Slot
M1140172.00	7.56	4.43	0.5	1.63	1	3.75	1/4-20	4.3	3.0	0.13	3.0	2.50	2.125	1.375	11/32 Slot

Specifications are subject to change without notice.

AC 38 48C ALL DIMENSIONS IN INCHES



Both motors only and gearmotors will have inverter rated printed on the nameplate.
UL and CSA recognition for both motors only and gearmotors.



Inverter Duty Motors

Permanent Magnet AC Motors

Commercial, Rolled Steel Frame (NEMA® S56C frame models)

Features:

- Meets or exceeds NEMA Premium (IE3)
- Class F IRIS® insulation system
- 20:1 constant torque open-loop (1000:1 closed-loop)
- IP43 enclosure (IP54 available)
- Totally enclosed non-ventilated
- Sealed ball bearing
- High power density, low weight design
- Provisions for optional shaft grounding ring
- Requires an AC inverter for operation



Industrial, Cast Iron Frame (NEMA 182-286 frame models)

Features:

- Ultra Efficient™ Premium-Plus exceeds NEMA Premium (IE4)
- Class H IRIS insulation system
- Cast iron construction for rigidity and reduced vibration
- Normally closed thermostats (One per phase, Class F)
- High power density, low weight design
- UL, CSA and CE
- Optional terminal block
- Provisions for shaft grounding ring
- Requires an AC inverter for operation

TENV and TEFC Three Phase C Face With Base

HP	SYN RPM 60 Hz	NEMA® Frame	Catalog Number	Stock	List Price	Model Number	App. Wgt. (lbs)	Voltage	Hertz	F. L. Amps	Nominal EFF	Torque (LB-FT)	"C" Dim. (Inches)	♥Notes
1/4	1800	S56C	103756.00	√	576	48PNRA20202	13	230/460	90	.8/4	82.5	0.729	7.82	S, MX
1/3	1800	S56C	103757.00	√	681	48PNRA20203	14	230/460	90	1.2/6	84.0	0.963	7.82	S, MX
1/2	1800	S56C	103758.00	√	819	48PNRA20204	15	230/460	90	1.5/.75	83.5	1.5	7.82	S, MX
3/4	1800	S56C	103759.00	√	875	48PNRA20205	18	230/460	90	1.9/.94	85.5	2.2	8.82	S, MX
1	1800	S56C	103760.00	√	949	48PNRA20206	18	230/460	90	3.44/1.71	85.3	2.9	8.82	S, MX
1.5	1800	S56C	104008.00	√	1,154	48PNRA20207	23	230/460	90	5.4/2.7	86.1	4.4	9.68	S, MX
2	1800	S56C	103761.00	√	1,527	48PNRA20208	28	230/460	90	6.32/3.16	86.5	5.8	10.68	S, MX
3	1800	182TC	132293.00	√	3,607	182TPFSA20017	133	460	150	3.9	91.7	8.8	16.63	C, US
5	1800	184TC	132294.00	C/A	4,605	184TPFSA20018	142	460	150	6.4	91.7	14.6	16.63	C, US
7.5	1800	213TC	140840.00	√	5,584	213TPFSA20027	152	460	150	9.4	93.0	21.9	20.16	C, US
10	1800	215TC	140841.00	√	5,835	215TPFSA20028	166	460	150	11.7	93.6	29.2	20.16	C, MX
15	1800	254TC	825201.00	√	6,684	254TPFSA20057	204	460	120	18.0	94.5	43.8	25.77	C, MX
20	1800	256TC	825202.00	√	7,112	256TPFSA20058	253	460	120	24.0	95.0	58.3	25.68	C, MX
25	1800	284TC	825203.00	√	8,534	284TPFSA20059	396	460	120	30.0	95.0	72.9	26.21	C, MX
30	1800	286TC	825204.00	√	8,730	286TPFSA20060	454	460	120	35.5	95.4	87.5	27.71	C, MX
40	1800	286TC	825387.00	√	10,612	286TPFSA20125	474	460	120	47.5	95.8	116.7	27.71	C, MX

Shaded model numbers are cast iron frame.

C/A - Check Availability.

♥ Note listing on inside back flap.
Specifications are subject to change without notice.

LEESON® VSD Series Inverters At A Glance

For use with PMAC or AC induction motors



For more information,
please see pages 390-393
of this catalog.

	Platinum e™ VSD	Platinum e™ VSD - Plus
Power Range	1/3 - 3 HP	1/3 - 30 HP
Voltages	230/240 Volts 1 or 3 phase / 400/480 Volts	230/240 Volts 1 or 3 phase / 400/480 Volts
Hardware	<ul style="list-style-type: none"> • Memory module • IT-Grid compatible • Integrated EMC filters • Zero clearance mounting • Form "C" relay 	In addition to VSD <ul style="list-style-type: none"> • Brake chopper • DC bus sharing • Safety torque off (optional) • Dedicated PTC
I/O	Basic -I/O	Standard-I/O
Communication	<ul style="list-style-type: none"> • Spring loaded control terminals (fixed) 	<ul style="list-style-type: none"> • Pluggable control terminal • Bipolar speed reference • 24V keep alive • Selectable PHP or NPN logic • Application-I/O (optional) • Additional I/Os
Fieldbus	CANopen/Modbus (optional)	CANopen, Modbus, Profibus, Profinet, EtherNet-I/P
Diagnostics	Hot-swappable options: keypad, USB module, WLAN module, Remote keypad	

Tech Information

Single Phase
ODP Motors

Single Phase
TEFC Motors

Three Phase
ODP Motors

Three Phase
TEFC Motors

Inverter Duty
Motors

Severe Duty
Motors

Explosion Proof
Motors

Automotive
Duty Motors



Severe Duty Motors

Premium Efficient IEEE 841 Severe Duty Motors

WATTsaver® Plus Severe Duty Motors



- IEEE-841 motors available
- Premium efficient models
- Dual voltage designs
- 1.15 or 1.25 service factors
- Epoxy painted ratings
- Cast iron and steel frame construction
- Internal corrosion protection
- Inverter rated
- Shaft seals where applicable
- UL and CSA recognized

Applications:

Used in severe duty environments that you may find in foundries, pulp, paper mills, waste management facilities, above ground mines, refineries or other applications that demand corrosion protection for long motor life and dependability.



Severe Duty Motors

IEEE 841 Premium Efficient Motors

Tech Information

Single Phase
ODP Motors

Single Phase
TEFC Motors

Three Phase
ODP Motors

Three Phase
TEFC Motors

Inverter Duty
Motors

Severe Duty
Motors

Explosion Proof
Motors

Automotive
Duty Motors

General Specifications:

Designed for harsh environments that you may find in refineries, above-ground mines, foundries, paper and pulp mills, cement plants or other severe duty applications.

Features:

- Inpro® shaft seals seal on drive end of TENV and both ends of TEFC models
- Inverter rated insulation system
- Re-greasable bearings
- Epoxy paint
- Test data supplied with each motor
- IP56 enclosure protection
- Tested to IEEE45 USCG Marine Duty, API RP14F for offshore platforms
- Division II CSA certification for hazardous locations, Class I Groups A, B, C, D, temperature Code T2B



Three Phase - Totally Enclosed - Rigid Base

HP	SYN RPM 60 Hz	NEMA Frame	Catalog Number	Stock	List Price	Model Number	App. Wgt. (lbs)	Voltage	F. L. Amps @ 460 V	% F.L. Eff.	Service Factor	"C" Dim. (Inches)	♥Notes
1	1800	143T	811541.00	C/A	1,092	143THTN9026	69	460	1.5	85.5	1.15	10.43	C, US, 12
1	1200	145T	811646.00	√	1,456	145THTN9076	60	460	1.7	80.0	1.15	11.43	C, US, 12
1 1/2	3600	143T	811542.00	C/A	1,353	145THTN9005	58	460	2.0	86.5	1.15	10.43	C, US, 12
1 1/2	1800	145T	811643.00	C/A	1,361	145TTTN16627	68	460	2.3	86.5	1.15	11.43	C, US, 12
1 1/2	1200	182T	811647.00	√	1,864	182THTS9076	100	460	2.2	87.5	1.15	13.94	C, US, 12
2	3600	145T	811544.00	C/A	1,421	145THTN9001	68	460	2.5	85.5	1.15	11.43	C, US, 12
2	1800	145T	811644.00	C/A	1,401	145TTTN16626	77	460	3.0	86.5	1.15	11.43	C, US, 12
2	1200	184T	811648.00	C/A	2,301	184THTS9076	112	460	3.0	88.5	1.15	15.94	C, US, 12
3	3600	182T	811546.00	C/A	2,058	182THTS19005	105	460	3.8	87.5	1.15	12.71	C, US, 12
3	1800	182T	811547.00	√	1,745	182THTS19041	100	460	4.0	90.2	1.15	12.71	C, US, 12
3	1200	213T	811649.00	√	2,835	184THTS9076	176	460	4.4	89.5	1.15	19.63	C, US, 12
5	3600	184T	811548.00	√	2,210	184THFS19010	142	460	5.9	89.5	1.15	16.19	C, US
5	1800	184T	811549.00	√	2,036	184THFS19045	130	460	6.2	90.2	1.15	16.19	C, US
5	1200	215T	811650.00	√	3,479	215THFS9076	225	460	6.9	89.5	1.15	22.63	C, US
7 1/2	3600	213T	811550.00	C/A	2,609	213THTS19008	200	460	8.9	91.7	1.15	17.18	C, US, 12
7 1/2	1800	213T	811551.00	√	2,471	213THFS19044	200	460	9.6	91.7	1.15	19.72	C, US
7 1/2	1200	254T	811651.00	√	4,177	254THFNA9076	326	460	9.9	91.0	1.15	23.65	C, US
10	3600	215T	811552.00	√	3,050	215THFS19011	218	460	11.2	91.7	1.15	22.63	C, US
10	1800	215T	811553.00	√	2,992	215THFS19051	225	460	12.5	91.7	1.15	19.73	C, US
10	1200	256T	811652.00	√	5,100	256THFNA9076	405	460	13.1	91.0	1.15	25.40	C, US
15	3600	254T	811554.00	√	3,782	254THFNA19014	345	460	17.5	91.7	1.15	23.52	C, US
15	1800	254T	811555.00	√	3,594	254THFNA19052	350	460	18.8	92.4	1.15	23.52	C, US
15	1200	284T	811653.00	C/A	6,771	284THFNA9076	479	460	20.4	91.7	1.15	26.21	C, US
20	3600	256T	811556.00	C/A	4,671	256THFNA19004	375	460	23.4	92.4	1.15	25.27	C, US
20	1800	256T	811557.00	√	4,470	256THFNA19050	425	460	24.1	93.0	1.15	25.27	C, US
20	1200	286T	811654.00	√	8,250	286THFNA9076	550	460	26.8	91.7	1.15	27.71	C, US
25	3600	284TS	811558.00	C/A	5,798	284TSHFNA19009	481	460	28.1	93.6	1.15	24.97	C, US
25	1800	284T	811559.00	√	5,296	284THFNA19043	478	460	31.0	93.6	1.15	26.21	C, US
25	1200	324T	811655.00	√	9,793	324THFS9076	700	460	32.5	93.0	1.15	28.87	C, US

Shaded model numbers are cast iron frame

Continued on next page

Green items are Premium Efficient

Note - 12 - TENV
C/A - Check Availability

♥ Note listing on inside back flap
Specifications are subject to change without notice



Severe Duty Motors

IEEE 841 Premium Efficient Motors

Three Phase - Totally Enclosed - Rigid Base

HP	SYN RPM 60 Hz	NEMA Frame	Catalog Number	Stock	List Price	Model Number	App. Wgt. (lbs)	Voltage	F. L. Amps @ 460 V	% F.L. Eff.	Service Factor	"C" Dim. (Inches)	♥Notes
30	3600	286TS	811560.00	C/A	7,120	286TSHFNA19002	500	460	34.0	93.6	1.15	26.46	C, US
30	1800	286T	811561.00	√	6,451	286THFNA19051	525	460	36.5	94.1	1.15	27.84	C, US
30	1200	326T	811566.00	√	11,518	326THFS9076	725	460	38.5	93.0	1.15	30.37	C, US
40	3600	324TS	811562.00	√	9,453	324THFS19007	656	460	47.0	93.6	1.15	27.37	C, US
40	1800	324T	811563.00	√	8,833	324THFS19045	700	460	47.5	94.1	1.15	30.37	C, US
40	1200	364T	811657.00	√	14,362	364THFS19087	950	460	50.0	94.1	1.15	31.51	C, US
50	3600	326TS	811564.00	√	12,182	326THFS19005	725	460	56.5	93.0	1.15	28.87	C, US
50	1800	326T	811565.00	√	10,575	326THFS19057	775	460	60.0	94.1	1.15	30.37	C, US
50	1200	365T	811658.00	√	17,616	365THFS19086	942	460	61.5	94.5	1.15	31.51	C, US
60	3600	364TS	811566.00	C/A	14,651	364THFS19006	925	460	67.0	94.5	1.15	29.38	C, US
60	1800	364T	811567.00	C/A	13,944	364THFS19047	1,000	460	70.0	95.0	1.15	13.25	C, US
60	1200	404T	811659.00	√	19,326	404THFS9086	1,156	460	72.0	94.5	1.15	35.63	C, US
75	3600	365TS	811568.00	√	18,475	365THFS19005	1,002	460	84.0	94.5	1.15	30.38	C, US
75	1800	365T	811569.00	√	17,913	365THFS19052	1,100	460	86.0	95.4	1.15	32.50	C, US
75	1200	405T	811660.00	√	22,642	405THFS9086	1,280	460	89.5	94.5	1.15	37.14	C, US
100	3600	405TS	811570.00	C/A	25,023	405THFS19006	1,295	460	108.0	94.5	1.15	34.13	C, US
100	1800	405T	811571.00	√	21,847	405THFS19060	1,330	460	113.0	95.4	1.15	37.14	C, US
100	1200	444T	811661.00	√	33,557	444THFN19081	2,100	460	124.0	95.0	1.15	43.35	C, US
125	3600	444TS	811586.00	√	28,488	444THFN19003	1,682	460	142.0	95.0	1.15	39.64	C, US
125	1800	444T	811587.00	√	26,524	444THFN19055	1,725	460	146.0	95.4	1.15	43.35	C, US
125	1200	445T	811662.00	C/A	38,186	445THFN9086	2,000	460	155.0	95.0	1.15	43.35	C, US
150	3600	445TS	811588.00	√	34,219	445THFN19005	2,187	460	168.0	95.8	1.15	39.37	C, US
150	1800	445T	811589.00	√	29,407	445THFN19072	2,070	460	172.0	95.8	1.15	43.35	C, US
150	1200	445T	811663.00	C/A	42,727	445THFN9087	2,500	460	181.0	95.8	1.15	43.35	C, US, ◇
200	3600	445TS	811590.00	√	43,289	445THFN19006	2,300	460	224.0	95.4	1.15	39.60	C, US
200	1800	445T	811591.00	√	35,766	445THFN19074	2,437	460	226.0	96.2	1.15	43.35	C, US
200	1200	447/9T	811664.00	C/A	52,303	449THFS19092	2,927	460	240.0	95.8	1.15	51.84	C, US, ◇
250	3600	447/9TS	811592.00	C/A	54,594	449THFS19008	2,864	460	270.0	96.5	1.15	47.94	C, US
250	1800	447/9T	811593.00	C/A	51,603	449THFS19344	2,834	460	285.0	96.5	1.15	51.85	C, US
300	1800	447/9T	811594.00	C/A	52,635	449THFS19345	3,039	460	339.0	96.5	1.15	51.84	C, US
350	3600	447/9TS	811595.00	C/A	81,150	449THFS19009	2,888	460	380.0	95.8	1.15	47.94	C, US
350	1800	447/9T	811596.00	C/A	66,909	449THFS19346	3,082	460	395.0	96.2	1.15	51.84	C, US, ◇

Shaded model numbers are cast iron frame

♥ Note listing on inside back flap
Specifications are subject to change without notice

Green items are Premium Efficient

C/A - Check Availability

Note ◇ - Motors 811596.00, 811663.00 and 811664.00 have a Roller Bearing at the drive end for belt loaded applications only

Tech Information

Single Phase ODP Motors

Single Phase TEFC Motors

Three Phase ODP Motors

Three Phase TEFC Motors

Inverter Duty Motors

Severe Duty Motors

Explosion Proof Motors

Automotive Duty Motors



Severe Duty Motors

Premium Efficient Severe Duty - WATTSaver® Plus

Tech Information

Single Phase
ODP Motors

Single Phase
TEFC Motors

Three Phase
ODP Motors

Three Phase
TEFC Motors

Inverter Duty
Motors

Severe Duty
Motors

Explosion Proof
Motors

Automotive
Duty Motors

General Specifications:

Designed specifically to meet severe duty environments that you may find in applications such as chemical plants, foundries, pulp and paper mills, waste management facilities and above ground mines.



Features:

- Full cast iron construction
- Inverter rated insulation system
- Epoxy painted
- Shaft seals both ends
- Internal corrosion protection
- IP55 enclosure protection
- Division II CSA certification for hazardous locations, Class I Groups A, B, C, D, temperature Code T2B

Three Phase - TEFC - Rigid Base

HP	SYN RPM 60 Hz	NEMA Frame	Catalog Number	Stock	List Price	Model Number	App. Wgt. (lbs)	Voltage	F. L. Amps @ 230 V	% F.L. Eff.	Service Factor	"C" Dim. (Inches)	Notes
3	1800	182T	171623.60	√	1,415	C184T17FB1	112	208-230/460	7.8	89.5	1.25	16.14	C, CN, T
3	1200	213T	171634.60	√	1,997	C213T11FW1	133	208-230/460	9.4	89.5	1.25	18.30	C, CN, T
5	1800	184T	171630.60	√	1,465	C184T17FB1	120	230/460	12.8	89.5	1.15	16.80	C, CN, T
5	1200	215T	171635.60	√	2,233	C215T11FW1	186	208-230/460	14.4	89.5	1.25	19.75	C, CN, T
7 1/2	3600	213T	171616.60	√	2,035	C213T34FW1	155	208-230/460	15.0	91.0	1.25	18.30	C, CN, T
7 1/2	1800	213T	171622.60	√	1,963	C213T17FW1	165	208-230/460	18.6	91.7	1.15	18.30	C, CN, T
7 1/2	1200	254T	171636.60	√	2,904	C254T11FW1	263	208-230/460	22.2	91.7	1.25	23.90	C, CN, T
10	3600	215T	171617.60	√	2,413	C215T34FW1	190	208-230/460	23.0	91.7	1.25	19.75	C, CN, T
10	1800	215T	171631.60	√	2,341	C215T17FB1	187	208-230/460	25.0	91.7	1.25	19.75	C, CN, T
10	1200	256T	171637.60	√	4,153	C256T11FB1	312	208-230/460	29.0	91.7	1.25	25.60	C, CN, T
15	3600	254T	171620.60	√	3,281	C254T34FW1	294	208-230/460	34.5	92.4	1.25	23.90	C, CN, T
15	1800	254T	171632.60	√	3,173	C254T17W1	294	208-230/460	36.0	92.4	1.25	23.90	C, CN, T
15	1200	284T	171638.60	√	5,621	C284T11FW1	346	208-230/460	40.5	92.4	1.25	26.30	C, CN, T
20	3600	256T	171621.60	√	4,009	C256T34FW1	330	208-230/460	46.0	92.4	1.25	25.60	C, CN, T
20	1800	256T	171633.60	√	3,961	C256T17FW1	335	208-230/460	49.0	93.0	1.15	25.60	C, CN, T
20	1200	286T	171639.60	√	7,024	C286T11FW1	405	208-230/460	56.5	92.4	1.25	27.68	C, CN, T
25	3600	284TS	171778.60	√	4,893	C284T34FB11	403	208-230/460	54.0	93.0	1.15	24.88	C, CN, T
25	1800	284T	171779.60	√	4,622	C284T17FB14	405	208-230/460	59.0	93.6	1.15	26.57	C, CN, T
25	1200	324T	171780.60	√	7,723	C324T11FB16	566	208-230/460	66.0	93.6	1.15	29.53	C, CN, T
30	3600	286TS	171781.60	√	5,776	C286T34FB10	435	208-230/460	68.0	94.1	1.15	26.65	C, CN, T
30	1800	286T	171782.60	√	5,385	C286T17FB12	455	208-230/460	70.0	94.1	1.15	27.83	C, CN, T
30	1200	326T	171783.60	√	8,669	C326T11FB12	636	230/460	77.0	93.6	1.15	31.02	C, CN, T
40	3600	324TS	171784.60	√	7,205	C324T34FB9	522	208-230/460	90.0	92.4	1.15	28.03	C, CN, T
40	1800	324T	171785.60	√	7,154	C324T17FB12	553	208-230/460	92.0	94.1	1.15	29.53	C, CN, T
40	1200	364T	171786.60	√	11,883	C364T11FB14	554	208-230/460	101.0	94.1	1.15	32.32	C, CN, T

Shaded model numbers are cast iron frame

Continued on next page

Green items are Premium Efficient

♥ Note listing on inside back flap
Specifications are subject to change without notice

T: N/C T-stats



Severe Duty Motors

Premium Efficient Severe Duty - WATTSaver® Plus

Three Phase - TEFC - Rigid Base

HP	SYN RPM 60 Hz	NEMA Frame	Catalog Number	Stock	List Price	Model Number	App. Wgt. (lbs)	Voltage	F. L. Amps @ 230 V	% F.L. Eff.	Service Factor	"C" Dim. (Inches)	Notes
50	3600	326TS	171787.60	√	8,749	C326T34FB10	554	208-230/460	112	94.1	1.25	31.02	C, CN, T
50	1800	326T	171788.60	√	8,640	C326T17FB13	587	208-230/460	117	94.5	1.15	31.02	C, CN, T
50	1200	365T	171789.60	√	14,263	C365T11FB14	785	208-230/460	126	94.1	1.15	33.31	C, CN, T
60	3600	364TS	171790.60	√	12,980	C364T34FW1	740	208-230/460	134	94.1	1.15	30.20	C, CN, T
60	1800	364T	171791.60	√	12,288	C364T17FB12	800	208-230/460	139	95.4	1.15	32.32	C, CN, T
60	1200	404T	171792.60	√	16,822	C404T11FB11	1015	208-230/460	142	94.5	1.25	36.42	C, CN, T
75	3600	365TS	171793.60	√	15,900	C365T34FB9	781	208-230/460	167	94.5	1.15	31.18	C, CN, T
75	1800	365T	171794.60	√	15,334	C365T17FB11	941	208-230/460	171	95.8	1.15	33.31	C, CN, T
75	1200	405T	171795.60	√	17,730	C405T11FB12	1115	208-230/460	176	95.0	1.15	38.91	C, CN, T
100	3600	405TS	171796.60	√	19,577	C405T34FB11	955	208-230/460	214	95.0	1.15	34.92	C, CN, T
100	1800	405T	171797.60	√	19,070	C405T17FB10	1253	208-230/460	226	95.4	1.15	37.91	C, CN, T
100	1200	444T	171798.60	√	25,241	C444T11FB11	1437	460	121*	95.0	1.15	42.87	C, CN, T
125	3600	444TS	171799.60	√	23,376	C444T34FB12	1446	460	136*	95.4	1.15	39.10	C, CN, T
125	1800	444T	171800.60	√	25,319	C444T17FB12	1485	460	138*	95.4	1.15	42.87	C, CN, T
125	1200	445T	171801.60	√	28,520	C445T11FB9	1596	460	155*	95.4	1.15	44.88	C, CN, T
150	3600	445TS	171802.60	√	28,851	C445T34FB7	1437	460	163*	95.0	1.15	41.11	C, CN, T
150	1800	445T	171803.60	√	28,967	C445T17FB14	1627	460	164*	95.8	1.15	44.88	C, CN, T
150	1200	447T	171804.60	√	32,160	C447T11FB7	2118	460	186*	96.2	1.15	48.05	C, CN, T
200	3600	447TS	171805.60	√	33,228	C447T34FB7	2048	460	216*	95.4	1.15	44.33	C, CN, T
200	1800	447T	171806.60	√	33,176	C447T17FB11	2207	460	216*	96.2	1.15	48.05	C, CN, T
200	1200	449T	171807.60	√	42,124	C449T11FB7	2645	460	241*	96.2	1.15	52.80	C, CN, T

Shaded model numbers are cast iron frame

♥ Note listing on inside back flap
Specifications are subject to change without notice

Green items are Premium Efficient

*FL. Amps @ 460 volts

T: N/C T-stats

Tech Information

Single Phase ODP Motors

Single Phase TEFC Motors

Three Phase ODP Motors

Three Phase TEFC Motors

Inverter Duty Motors

Severe Duty Motors

Explosion Proof Motors

Automotive Duty Motors



Severe Duty Motors

Premium Efficient Severe Duty - WATTSaver® Plus

Tech Information

Three Phase - TEFC - Rigid C Face

HP	SYN RPM 60 Hz	NEMA Frame	Catalog Number	Stock	List Price	Model Number	App. Wgt. (lbs)	Voltage	F. L. Amps @ 230 V	% F.L. Eff.	Service Factor	"C" Dim. (Inches)	♥Notes
3	1800	182TC	171815.60	√	1,517	182T17WK1	125	208-230/460	7.8	90.2	1.15	15.89	C, CN, T
3	1200	213TC	171816.60	√	2,140	213T11WK1	142	208-230/460	9.4	89.5	1.15	18.19	C, CN, T
5	1800	184TC	171817.60	√	1,571	184T17WK1	131	208-230/460	12.8	89.5	1.15	16.80	C, CN, T
5	1200	215TC	171818.60	√	2,394	215T11WK1	180	230/460	14.4	89.5	1.15	19.61	C, CN, T
7 1/2	1800	213TC	171819.60	√	2,105	213T17WK1	155	230/460	18.6	91.7	1.15	18.19	C, CN, T
7 1/2	1200	254TC	171820.60	√	3,113	254T11WK1	249	208-230/460	22.2	91.7	1.15	23.19	C, CN, T
10	1800	215TC	171821.60	√	2,509	215T17WK1	177	208-230/460	25.0	91.7	1.15	19.61	C, CN, T
10	1200	256TC	171822.60	√	4,453	256T11WK1	300	208-230/460	29.0	91.7	1.15	24.92	C, CN, T
15	1800	254TC	171823.60	√	3,402	254T17WK1	284	230/460	36.0	92.4	1.15	23.19	C, CN, T
15	1200	284TC	171824.60	√	6,027	284T11WK1	333	208-230/460	40.5	92.4	1.15	26.26	C, CN, T
20	1800	256TC	171825.60	√	4,247	256T17WK1	325	230/460	49.0	93.0	1.15	24.92	C, CN, T
20	1200	286TC	171826.60	√	7,530	286T11WK1	423	208-230/460	54.0	92.4	1.15	27.83	C, CN, T
25	1800	284TC	171827.60	√	4,954	284T17WK1	388	230/460	58.5	93.6	1.15	26.26	C, CN, T
25	1200	324TC	171828.60	√	8,279	324T11WK1	578	208-230/460	66.0	93.6	1.15	29.53	C, CN, T
30	1800	286TC	171829.60	√	5,772	286T17WK1	436	230/460	70.0	94.1	1.15	27.83	C, CN, T
30	1200	326TC	171830.60	√	9,293	326T11WK1	646	208-230/460	77.0	93.6	1.15	31.02	C, CN, T
40	1800	324TC	171831.60	√	7,668	324T17WK1	532	230/460	92.0	94.1	1.15	29.53	C, CN, T
40	1200	364TC	171832.60	√	12,739	364T11WK1	816	208-230/460	101	94.1	1.15	32.64	C, CN, T
50	1800	326TC	171833.60	√	9,262	326T17WK1	592	230/460	117	94.5	1.15	31.02	C, CN, T
50	1200	365TC	171834.60	√	15,291	365T11WK1	712	208-230/460	126	94.1	1.15	33.62	C, CN, T
60	1800	364TC	171835.60	√	13,173	364T17WK1	670	230/460	139	95.4	1.15	32.64	C, CN, T
60	1200	404TC	171836.60	√	18,033	404T11WK1	1,062	208-230/460	142	94.5	1.15	36.42	C, CN, T
75	1800	365TC	171837.60	√	16,437	365T17WK1	739	230/460	171	95.8	1.15	33.62	C, CN, T
75	1200	405TC	171838.60	√	19,006	405T11WK1	1,066	208-230/460	176	95.0	1.15	37.91	C, CN, T
100	1800	405TC	171839.60	√	20,443	405T17WK1	1,076	230/460	226	95.4	1.15	37.91	C, CN, T
100	1200	444TC	171840.60	√	27,058	444T11WK1	1,492	460	121*	95.0	1.15	42.87	C, CN, T

Shaded model numbers are cast iron frame

♥ Note listing on inside back flap
Specifications are subject to change without notice

Green items are Premium Efficient

*FL. Amps @ 460 volts

T: N/C T-stats

Single Phase
ODP Motors

Single Phase
TEFC Motors

Three Phase
ODP Motors

Three Phase
TEFC Motors

Inverter Duty
Motors

Severe Duty
Motors

Explosion Proof
Motors

Automotive
Duty Motors



Severe Duty Motors

Lincoln Severe Duty

General Specifications:

Cast iron designed motors that are designed for use in pulp and paper mills, foundries, chemical plants or any severe duty application.

Features:

- Meets Ford® EM1-1996 Spec.
- 460 volt - 3 lead designs
- Full cast iron construction
- Class F insulation
- Shielded ball bearing construction



Three Phase - TEFC - Rigid Base

HP	SYN RPM 60 Hz	NEMA Frame	Catalog Number	Stock	List Price	Model Number	App. Wgt. (lbs)	Voltage	F. L. Amps @ 230 V	% FL. Eff.	Service Factor	"C" Dim. (Inches)	Notes
1	1800	143T	LM32856	C/A	1,061	CCS4B1T61	59	208-230/460	3.3	85.5	1.25	14.17	C, US
1	1200	145T	LM32857	C/A	1,436	CCS6B1T61	57	208-230/460	3.6	82.5	1.25	14.29	C, US
2	1800	145T	LM32862	√	1,182	CCS4B2T61	64	208-230/460	6.0	86.5	1.25	14.29	C, US
3	1800	182T	LM16644	C/A	1,437	CCS4B3T61T5	104	208-230/460	8.0	90.2	1.25	15.19	C, US
5	1800	184T	LM16650	C/A	1,570	CCS4B5T61T5	138	208-230/460	12.4	90.2	1.25	16.20	C, US
7 1/2	1800	213T	LM32869	C/A	2,049	CCS4B75T61	223	208-230/460	19.4	91.7	1.25	19.70	C, US
10	1800	215T	LM16919	C/A	2,588	CCS4B10T61	213	208-230/460	25.0	91.7	1.25	19.63	C, US
15	1800	254T	LM32873	C/A	3,243	CCS4B15T61	322	208-230/460	37.5	92.4	1.25	23.52	C, US
20	1800	256T	LM32876	C/A	4,180	CCS4B20T61	368	208-230/460	48.0	93.0	1.15	25.30	C, US
25	1800	284T	LM32879	C/A	4,920	CCS4B25T61Y	495	208-230/460	62.0	93.6	1.25	26.30	C, US
30	1800	286T	LM32882	C/A	5,813	CCS4B30T61Y	519	208-230/460	73.0	94.1	1.15	27.84	C, US
40	1800	324T	LM32885	C/A	7,675	CCS4B40T61Y	835	208-230/460	—	94.1	1.15	—	C, US
50	1800	326T	LM32887	C/A	8,938	CCS4B50T61Y	692	208-230/460	120	94.5	1.15	30.40	C, US
60	1800	364T	LM32890	C/A	14,451	CCS4B60T61Y	980	208-230/460	—	95.0	1.15	—	C, US
75	1800	365T	LM32893	C/A	16,395	CCS4B75T61Y	1018	208-230/460	172	95.4	1.15	32.50	C, US
100	1800	405T	LM32896	C/A	19,829	CCS4B100T61Y	1338	208-230/460	226	95.4	1.15	37.10	C, US
125	1800	444T	LM32899	C/A	25,251	CCS4B125T64Y	1874	460	—	95.4	1.15	—	C, US
150	1800	445T	LM32902	C/A	32,782	CCS4B150T64Y	2070	460	—	95.8	1.15	—	C, US
200	1800	449T	LM32905	C/A	37,297	CCS4B200T64Y	2305	460	224*	96.2	1.25	51.84	C, US
250	1800	449T	LM34101	C/A	42,185	CCS4B250T64Y	2572	460	285*	96.5	1.15	51.84	C, US
300	1800	449T	LM14642	C/A	42,775	CCS4B300T64Y	2572	460	341*	96.2	1.15	51.84	C, US
300	1800	449T	LM22909	C/A	42,775	CCS4B300T64	2572	460	341*	96.2	1.15	51.84	C, US

Shaded model numbers are cast iron frame

Green items are Premium Efficient

C/A - Check Availability

*FL. Amps @ 460 volts

♥ Note listing on inside back flap
Specifications are subject to change without notice



Severe Duty Motors

Lincoln Motors ODP-Encapsulated Multiguard® Motors

**Product Line
Discontinued
Once Stock is
Depleted**



General Specifications:

Multiguard motors utilize an ODP enclosure utilizing an impregnated and encapsulated process to seal the winding endcoils from contamination. This process protects the windings from moisture, vibration, and some chemical actions.

Features:

- Encapsulated windings
- Durable steel frame construction
- NEMA® design B performance
- 284T - 405T: Y-delta start on either voltage
- 444T - 445T: Y-delta start and part-winding start
- Made in the U.S.A.
- NOT FOR USE WITH VFDs
- Contact sales office for 50HZ ratings as the frame sizes will change from 60HZ

Three Phase - Drip-Proof - Rigid Base

HP	SYN RPM 60 Hz	NEMA Frame	Catalog Number	Stock	Model Number	App. Wgt. (lbs)	Voltage	F. L. Amps @ 230 V	% F.L. Eff.	Service Factor	"C" Dim. (Inches)	♥Notes
40	1800	324T	LM34365	D	MD4B40T61	431	208-230/460	101.0	94.1	1.00	26.01	S, US
40	1800	324TS	LM34366	D	MD4B40TS61	420	208-230/460	99.0	90.2	1.00	24.50	S, US
50	1800	326T	LM34368	D	MD4B50T61	—	208-230/460	—	94.1	1.00	—	S, US
60	1800	364T	LM34370	D	MD4B60T61	476	208-230/460	124.0	89.5	1.00	27.30	S, US
75	1800	365T	LM34371	D	MD4B75T61	488	208-230/460	132.0	94.5	1.00	27.32	S, US
75	1200	405T	LM34373	D	MD6B75T61	660	208-230/460	141	94.5	1.00	28.40	S, US
100	1800	404T	LM34375	D	MD4B100T61	644	208-230/460	177	95.0	1.00	29.40	S, US
125	1800	405T	LM34377	D	MD4B125T61	—	208-230/460	—	91.7	1.00	—	S, US
125	1800	405TS	LM34378	D	MD4B125TS61	887	208-230/460	246	95.4	1.00	31.81	S, US
150	1800	444T	LM34380	D	MD4B150T64PY	987	208-230/460	298	95.4	1.00	33.31	S, US
200	1800	445T	LM34381	D	MD4B200T64PY	—	208-230/460	—	95.4	1.00	—	S, US
250	1800	447T	LM34382	D	MD4B250T64PY	—	460	—	95.8	1.00	—	S, US

Continued on next page

Green items are Premium Efficient

D - Item to be discontinued once inventory is depleted
*FL. Amps @ 460 volts

♥ Note listing on inside back flap
Specifications are subject to change without notice



CUSTOMIZED AND MODIFIED PRODUCTS

Tech Information

Single Phase
ODP Motors

Single Phase
TEFC Motors

Three Phase
ODP Motors

Three Phase
TEFC Motors

Inverter Duty
Motors

Severe Duty
Motors

Explosion Proof
Motors

Automotive
Duty Motors



Custom Motors, Gearboxes & Gearmotors

Regal® is a leading designer and manufacturer of application-specific AC and DC motors and gearmotors in sub-fractional, fractional and integral horsepower sizes. We offer a database of over 30,000 custom designs, experienced application and design engineering teams to ensure the best, most cost-effective custom motor solution.

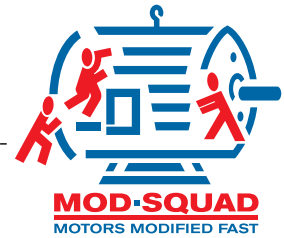
Custom Multi-Speed & Low-Speed Motors

Regal's PDQ Modular Production Program utilizes specially designed and standard components to make almost any imaginable NEMA® frame multi-speed or low-speed motor available when you need it. We pride ourselves on fast turnaround times on highly customized motors.

Custom motors include two, three and four-speed motors and speed ranges of 900, 720, 600, 450 and 300 RPMs. We also specialize in non-standard shaft designs. For quotations, availability and application assistance, contact your local sales office.

Mod-Squad Program

Quick-turnaround stock motor modifications are available through the Mod-Squad Program. Adding cords or switches, changing mountings, extending leads and incorporating various severe-duty features are among the many standard modifications offered.



For complete stock products information, visit our online technical database at www.regalbeloit.com



CUSTOMER CARE—BUILT ON CUSTOMER INPUT.

Our customer care process revolves around one thing—listening—before, during and after your purchase. Regal Sales representatives are ready to assist you 24/7 with product, technical and service support needs.



TRUST REGAL® DESIGN AND MANUFACTURING EXPERIENCE TO DELIVER **THE PERFECT SOLUTION** FOR YOUR APPLICATION.

MORE THAN 100 YEARS OF LARGE MOTOR EXPERTISE.

For over a century, dedicated Regal® specialists have provided large motor solutions for countless industries and applications. This expertise ensures you receive the best product—stock or custom—for your unique installation. Tap our sales, technical and support teams to configure the perfect solution for your mission-critical application.

BROAD STOCK PRODUCT PORTFOLIO ENSURES RAPID RESPONSE.

Regal carries a broad range of stock products across an extensive network of distribution centers to help deliver the right product at the right time. Trust Regal to deliver solutions that help you stay up and running.

MODULAR MANUFACTURING DELIVERS APPLICATION SPECIFIC PRODUCTS FASTER.

Our modular manufacturing design approach enables the configuration of products in compressed time frames. Get the product that meets your specifications without compromising features or functionality.

ACCESSORIES ENABLE CUSTOMIZED SOLUTIONS.

An extensive range of specialized motor accessories helps deliver flexible, application-specific solutions. From overload protection, voltage surge protection to vibration protection, your trusted Regal representative will help you design the ideal large motor for your needs.



Tech Information

Single Phase
ODP Motors

Single Phase
TEFC Motors

Three Phase
ODP Motors

Three Phase
TEFC Motors

Inverter Duty
Motors

Severe Duty
Motors

Explosion Proof
Motors

Automotive
Duty Motors

Explosion Proof Motors

Tech Information

Single Phase
ODP Motors

Single Phase
TEFC Motors

Three Phase
ODP Motors

Three Phase
TEFC Motors

Inverter Duty
Motors


Severe Duty
Motors

Explosion Proof
Motors

Automotive
Duty Motors



For a full selection of Explosion Proof Motors please view the products section at www.regalbeloit.com

- Meets all UL and CSA safety requirements
- Single and three phase motors
- Double shielded ball bearings
- Automatic overload protection or thermostat protected
- Includes explosion proof conduit box
- NEMA® 1.0 or 1.15 service factor
- Premium efficient models
- ATEX  Zone 2 & 22 ratings available

Applications:

These motors must be applied in accordance with the National Electrical Code, Article #500. Consult NFPA Publication 497M for a complete listing of explosive agents that are typically found in the environments that these motors are exposed to.



Application Notes:

These motors must be applied in accordance with the National Electrical Code, Article #500. A partial listing of explosive agents is noted below. Consult NFPA Publication 497M for a complete listing. Please note subheads above each column for qualifications of LEESON® motors.

Features:

- Meets UL and CSA safety requirements
- Automatic overload or thermostat protected
- Explosion rated conduit box included
- Internal mounted capacitors
- Double shielded ball bearings
- Meets temperature code T3B

Rating Information:

According to UL Division 1 areas are environments where a hazard is present continuously or would be subject to fire or explosion if the hazard was present as a result of an accident or uncommon occurrence.

Division 2 areas are environments where the threat of fire or explosion is not normally present and not likely to result in the event of an abnormal occurrence.

Application Notes:

Class I

Group A: Acetylene

Group B: Butadiene, ethylene oxide, hydrogen, propylene oxide, manufactured gases containing more than 30% hydrogen by volume.

Group C: Acetaldehyde, cyclopropane, diethyl ether, ethylene.

Group D: Acetone, acrylonitrile, ammonia, benzene, butane, ethanol, ethylene dichloride, gasoline, hexane, isoprene, methane (natural gas), methanol, naphtha, propane, propylene, styrene, toluene, vinyl acetate, vinyl chloride, xylene.

Class II

Group E: Aluminum, magnesium and other metal dusts with similar characteristics.

Group F: Carbon black, coke or coal dust.

Group G: Flour, starch or grain dust.

Note: No LEESON motors are listed for Class I, Group A or B for Division 1.

Please contact your local LEESON motors sales office for ATEX certified motors, Zone 2 and 22.



Explosion-Proof Motors

Single Phase - Rigid Base

Division I, Class I, Groups C&D - Class II, Groups F&G - W/Conduit Box

HP	SYN RPM 60 Hz	NEMA Frame	Catalog Number	Stock	List Price	Model Number	App. Wgt. (lbs)	Voltage	Over-load Prot.	F. L. Amps @ 230 V	Service Factor	"C" Dim. (Inches)	♥Notes
1/3	1800	56	111074.00	√	948	A6C17EB20	35	115/230	Auto.	2.9	1.00	12.97	S, US, 12
1/2	1800	56H	111084.00	√	1,045	A6C17XB22	41	115/230	Auto.	4.4	1.00	13.58	S, US, 6, 13
3/4	1800	56H	110934.00	√	1,234	A6C17XB21	46	115/230	Auto.	5.5	1.00	14.08	S, US, 6, 13
1	1800	56H	110961.00	√	1,401	A6C17XB20	47	115/230	Auto.	6.7	1.00	14.08	S, US, 6, 13

Note 12 - TENV
Note 13 - TEFC

♥ Note listing on inside back flap
Specifications are subject to change without notice

Single Phase - C Face Less Base

Division I, Class I, Groups C&D - Class II, Groups F&G - W/Conduit Box

HP	SYN RPM 60 Hz	NEMA Frame	Catalog Number	Stock	List Price	Model Number	App. Wgt. (lbs)	Voltage	Over-load Prot.	F. L. Amps @ 230 V	Service Factor	"C" Dim. (Inches)	♥Notes
1/3	3600	56C	111095.00	√	997	A6C34EC20	38	115/230	Auto.	2.2	1.00	13.44	S, US, 13
1/3	1800	56C	111075.00	√	1,045	A6C17EC20	41	115/230	Auto.	2.9	1.00	12.97	S, US, 12
1/2	3600	56C	111098.00	√	1,008	A6C34XC22	35	115/230	Auto.	4.2	1.00	13.44	S, US, 13
1/2	3600	56J	116188.00	√	951	A6C34XC31	35	115/230	Auto.	3.8	1.00	13.95	S, US, 13
1/2	1800	56C	111085.00	√	1,160	A6C17XC22	45	115/230	Auto.	4.4	1.00	13.94	S, US, 13
3/4	3600	56C	111097.00	√	1,081	A6C34XC21	40	115/230	Auto.	5.0	1.00	13.94	S, US, 13
3/4	3600	56J	116186.00	√	1,072	A6C34XC32	40	115/230	Auto.	5.0	1.00	14.45	S, US, 13
3/4	1800	56C	111086.00	√	1,287	A6C17XC21	50	115/230	Auto.	5.5	1.00	14.44	S, US, 13
1	3600	56C	111096.00	√	1,160	A6C34XC20	49	115/230	Auto.	6.2	1.00	14.44	S, US, 13
1	3600	56J	116185.00	√	1,149	A6C34XC33	49	115/230	Auto.	6.0	1.00	14.95	S, US, 13
1	1800	56C	110852.00	√	1,468	A6C17XC20	53	115/230	Auto.	6.7	1.00	14.44	S, US, 13
1 1/2	3600	56C	114424.00	√	1,437	A6C34XC26	44	115/230	Auto.	8.5	1.00	14.44	S, US, 13
1 1/2	3600	56J	116183.00	√	1,474	A6C34XC34	54	115/230	Auto.	8.5	1.00	14.95	S, US, 13
2	3600	56C	114425.00	√	1,576	A6C34XC27	54	115/230	Auto.	10.5	1.00	14.94	S, US, 13
2	3600	56J	116181.00	√	1,602	A6C34XC35	54	115/230	Auto.	10.5	1.00	15.45	S, US, 13

Note 12 - TENV
Note 13 - TEFC

♥ Note listing on inside back flap
Specifications are subject to change without notice

Single Phase - C Face With Base

Division I, Class I, Groups C&D - Class II, Groups F&G - W/Conduit Box

HP	SYN RPM 60 Hz	NEMA Frame	Catalog Number	Stock	List Price	Model Number	App. Wgt. (lbs)	Voltage	Over-load Prot.	F. L. Amps @ 230 V	Service Factor	"C" Dim. (Inches)	♥Notes
1/3	3600	56C	116605.00	√	1,031	A6C34XK7	39	115/230	Auto.	2.6	1.00	13.44	S, US, 13
1/3	1800	56C	116606.00	√	1,078	A6C17XK33	42	115/230	Auto.	3.3	1.00	13.44	S, US, 13
1/3	1200	56C	116607.00	√	1,234	A6C17XK31	45	115/230	Auto.	3.9	1.00	13.94	S, US, 13
1/2	3600	56C	116608.00	√	1,040	A6C34XK6	36	115/230	Auto.	3.8	1.00	13.44	S, US, 13
1/2	1800	56C	116609.00	√	1,195	A6C17XK32	46	115/230	Auto.	4.4	1.00	13.94	S, US, 13
1/2	1200	56C	116610.00	√	1,338	A6C17XK34	56	115/230	Auto.	4.7	1.00	14.94	S, US, 13
3/4	3600	56C	116611.00	√	1,113	A6C34XK5	41	115/230	Auto.	5.3	1.00	13.94	S, US, 13
3/4	1800	56C	116612.00	√	1,322	A6C17XK30	51	115/230	Auto.	5.5	1.00	14.44	S, US, 13
1	3600	56C	116613.00	√	1,195	A6C34XK4	50	115/230	Auto.	6.3	1.00	14.44	S, US, 13
1	1800	56C	116614.00	√	1,455	A6C17XK29	54	115/230	Auto.	6.7	1.00	14.44	S, US, 13
1 1/2	3600	56C	116615.00	√	1,693	A6C34XK3	45	115/230	Auto.	8.5	1.00	14.44	S, US, 13
2	3600	56C	116616.00	√	2,075	A6C34XK2	58	115/230	Auto.	10.5	1.00	14.94	S, US, 13

Note 13 - TEFC

♥ Note listing on inside back flap
Specifications are subject to change without notice



Explosion-Proof Motors

Three Phase - Rigid Base

Division I, Class I, Groups C&D - Class II, Groups F&G - W/Conduit Box

HP	SYN RPM 60 Hz	NEMA Frame	Catalog Number	Stock	List Price	Model Number	App. Wgt. (lbs)	Voltage	Over-load Prot.	F. L. Amps @ 230 V	% F.L. Eff	Service Factor	"C" Dim. (Inches)	Notes
1/3	1800	56	111932.00	√	969	A6T17EB22	33	208-230/460	Auto	1.3	76.0	1.00	11.97	S, US, 12
1/3	1800	56	117856.00	√	949	C6T17EB38	33	208-230/460	T-Stats	1.3	76.0	1.00	11.97	S, US, 12
1/3	1200	56	111940.00	√	1,389	A6T11EB21	39	208-230/460	Auto	1.5	70.0	1.00	13.97	S, US, 12
1/2	3600	56	111934.00	C/A	1,106	A6T34EB22	39	208-230/460	Auto	1.6	82.5	1.00	12.47	S, US, 12
1/2	1800	56	111929.00	√	1,007	A6T17EB21	32	208-230/460	Auto	1.7	75.0	1.00	12.47	S, US, 12
1/2	1800	56	117857.00	√	1,072	C6T17EB39	32	208-230/460	T-Stats	1.7	75.0	1.00	12.47	S, US, 12
1/2	1200	56	111938.00	√	1,471	A6T11XB22	44	208-230/460	Auto	2.0	71.0	1.00	13.47	S, US, 6
3/4	3600	56	111937.00	√	1,157	A6T34XB21	37	208-230/460	Auto	3.2	75.5	1.00	13.44	S, US, 13
3/4	1800	56	111923.00	√	1,167	A6T17XB21	38	208-230/460	Auto	3.0	75.0	1.00	13.94	S, US, 13
3/4	1800	56	117858.00	√	1,148	C6T17XB35	38	208-230/460	T-Stats	3.0	75.0	1.00	13.94	S, US, 13
3/4	1200	56	119736.00	√	1,672	C6T11XB49	42	230/460	T-Stats	3.6	74.0	1.00	13.94	S, US
1	3600	56	119425.00	√	1,485	A6T34XB23	38	230/460	Auto	3.0	80.0	1.00	13.94	S, US, 13
1	1800	56H	119421.00	√	1,521	A6T17XB32	49	230/460	Auto	3.3	85.5	1.00	15.58	S, US, 6, 13
1	1800	56H	119426.00	√	1,521	C6T17XB33	50	208-230/460	T-Stats	3.3	85.5	1.00	15.58	S, US, 6, 13
1	1200	56H	119737.00	C/A	1,616	C6T11XB50	52	230/460	T-Stats	3.8	82.5	1.00	15.94	S, US
1 1/2	3600	143T	121914.00	√	1,473	A143T34XB25	49	230/460	Auto	4.0	84.0	1.00	15.00	S, US, 13
1 1/2	1800	56H	119433.00	√	1,531	C6T17XB34	63	230/460	T-Stats	4.6	86.5	1.15	15.58	S, US, 13
1 1/2	1800	145T	121915.00	√	1,509	A145T17XB28	59	230/460	Auto	4.8	86.5	1.00	15.00	S, US, 13
1 1/2	1800	145T	122024.00	√	1,488	C145T17XB31	59	230/460	T-Stats	4.8	86.5	1.00	16.00	S, US, 13
1 1/2	1200	182T	825404.00	√	1,722	182TTGN6576	147	230/460	T-Stats	4.4	87.5	1.00	15.87	C, US
2	3600	145T	121916.00	√	1,399	A145T34XB25	55	230/460	Auto	4.8	85.5	1.00	16.50	S, US, 13
2	1800	145T	121917.00	√	1,675	C145T17XB27	60	230/460	Auto	5.8	86.5	1.00	16.50	S, US, 13
2	1800	145T	122025.00	√	1,654	C145T17XB32	60	230/460	T-Stats	5.8	86.5	1.00	16.50	S, US, 13
2	1200	184T	825405.00	√	1,948	184TTGN6576	154	230/460	T-Stats	6.0	88.5	1.00	17.87	C, US
3	3600	145T	121918.00	√	1,653	U145T34XB26	56	230/460	T-Stats	4.8	86.5	1.00	16.00	S, US, 13
3	1800	182T	825085.00	√	2,021	182TTGN16026	107	230/460	T-Stats	7.8	89.5	1.15	15.87	C, US
3	1200	213T	825406.00	√	2,495	213TTGN6576	244	230/460	T-Stats	8.8	89.5	1.00	19.63	C, US
5	3600	184T	825086.00	√	2,130	184TTGN16504	117	230/460	T-Stats	12.0	88.5	1.15	17.87	C, US
5	1800	184T	825087.00	√	2,094	184TTGN16032	128	230/460	T-Stats	12.8	89.5	1.15	17.87	C, US
5	1200	215T	825407.00	√	3,197	215TTGN6576	206	230/460	T-Stats	13.8	89.5	1.00	22.63	C, US
7 1/2	3600	213T	825088.00	√	3,267	213TTGN16527	183	230/460	T-Stats	18.0	89.5	1.15	19.63	C, US
7 1/2	1800	213T	825089.00	√	3,230	213TTGN16527	228	230/460	T-Stats	18.6	91.7	1.15	19.63	C, US
7.5	1200	254T	825408.00	√	3,828	254TTGN16584	345	230/460	T-Stats	19.8	91.0	1.00	23.52	C, US
10	3600	215T	825090.00	√	3,428	215TTGN16504	200	230/460	T-Stats	23.6	90.2	1.15	22.63	C, US
10	1800	215T	825091.00	√	3,413	215TTGN16526	273	230/460	T-Stats	25.0	91.7	1.15	22.63	C, US
10	1200	256T	825409.00	√	4,618	256TTGN16583	360	230/460	T-Stats	26.2	91.0	1.00	25.27	C, US
15	3600	254T	825092.00	√	4,623	254TTGN16506	333	230/460	T-Stats	34.6	91.0	1.15	23.52	C, US
15	1800	254T	825093.00	√	4,603	254TTGN16539	383	230/460	T-Stats	36.0	92.4	1.15	23.52	C, US
15	1200	284T	825410.00	√	6,413	284TTGN16582	536	230/460	T-Stats	41.0	91.7	1.00	26.34	C, US
20	3600	256T	825094.00	√	4,844	256TTGN16514	383	230/460	T-Stats	46.8	91.0	1.15	25.27	C, US
20	1800	256T	825095.00	√	4,807	256TTGN16539	285	230/460	T-Stats	48.2	93.0	1.15	25.27	C, US
20	1200	286T	825411.00	C/A	7,479	286TTGN16581	593	230/460	T-Stats	53.6	91.7	1.00	27.84	C, US

Shaded model numbers are cast iron frame

Continued on next page

Green items are Premium Efficient

Explosion proof motors having T-Stats are inverter rated

C/A - Check Availability

Note 6 - Combination 56H base has mounting holes for NEMA 56 and NEMA 143-5T and a standard NEMA 56 shaft of 5/8

Note 12 - TENV

Note 13 - TEFC

♥ Note listing on inside back flap
Specifications are subject to change without notice



Tech Information

Single Phase
ODP Motors

Single Phase
TEFC Motors

Three Phase
ODP Motors

Three Phase
TEFC Motors

Inverter
Duty
Motors

Severe Duty
Motors

Explosion Proof
Motors

Automotive
Duty Motors

Explosion-Proof Motors

Three Phase - Rigid Base

Division I, Class I, Groups C&D - Class II, Groups F&G - W/Conduit Box

HP	SYN RPM 60 Hz	NEMA Frame	Catalog Number	Stock	List Price	Model Number	App. Wgt. (lbs)	Voltage	Over-load Prot.	F. L. Amps @ 230 V	% F.L. Eff	Service Factor	"C" Dim. (Inches)	♥Notes
25	3600	284TS	825096.00	√	6,250	284TSGN16505	413	230/460	T-Stats	56.2	91.7	1.15	24.97	C, US
25	1800	284T	825097.00	√	5,614	284TTGN16538	374	230/460	T-Stats	62.0	93.6	1.15	26.34	C, US
25	1200	324T	825412.00	√	11,007	324TTGS16584	681	230/460	T-Stats	65.0	93.0	1.00	28.87	C, US
30	3600	286TS	825098.00	√	6,376	286TSTN16504	464	230/460	T-Stats	67.6	91.7	1.15	26.47	C, US
30	1800	286T	825099.00	√	6,325	286TTGN16033	464	230/460	T-Stats	73.0	93.6	1.15	27.84	C, US
30	1200	326T	825413.00	√	11,968	326TTGS16581	900	230/460	T-Stats	77.0	93.0	1.00	30.37	C, US
40	3600	324TS	825100.00	√	8,819	324TSTGS16002	515	230/460	T-Stats	94.0	92.4	1.15	28.87	C, US
40	1800	324T	825101.00	√	8,496	324TTGS16037	535	230/460	T-Stats	95.0	94.1	1.15	30.37	C, US
40	1200	364T	825414.00	√	14,391	364TTGS16581	1151	230/460	T-Stats	100	93.6	1.00	31.74	C, US
50	3600	326TS	825102.00	√	11,095	326TSTGS16503	585	230/460	T-Stats	116	93.0	1.15	30.37	C, US
50	1800	326T	825103.00	√	11,023	326TTGS16540	585	230/460	T-Stats	120	94.5	1.00	30.37	C, US
50	1200	365T	825415.00	√	15,570	365TTGS16587	1099	230/460	T-Stats	123	94.5	1.00	32.74	C, US
60	3600	364TS	825104.00	C/A	15,851	364TSTGS16504	890	230/460	T-Stats	134	93.6	1.15	29.38	C, US
60	1800	364T	825105.00	√	15,179	364TTGS16035	992	230/460	T-Stats	138	95.0	1.15	31.52	C, US
60	1200	404T	825416.00	√	19,443	404TTGS16581	1295	230/460	T-Stats	144	94.5	1.00	35.62	C, US
75	3600	365TS	825106.00	√	18,318	365TSTGS16507	1025	230/460	T-Stats	168	93.6	1.15	30.38	C, US
75	1800	365T	825107.00	√	18,082	365TTGS16541	1053	230/460	T-Stats	172	95.4	1.15	32.52	C, US
75	1200	405T	825417.00	√	22,640	405TTGS16585	1388	230/460	T-Stats	180	94.5	1.00	37.35	C, US
100	3600	405TS	825108.00	C/A	24,780	405TSTGS16002	1168	230/460	T-Stats	216	94.1	1.15	34.12	C, US
100	1800	405T	825109.00	C/A	22,032	405TTGS16034	1322	230/460	T-Stats	226	95.4	1.15	37.12	C, US
100	1200	444T	825418.00	√	32,351	444TTGN16585	1813	230/460	T-Stats	248	95.0	1.00	41.35	C, US
125	3600	444TS	825110.00	C/A	34,207	444TSGN16503	1768	230/460	T-Stats	136	95.0	1.15	37.60	C, US
125	1800	444T	825111.00	C/A	28,742	444TTGN16032	1822	460	T-Stats	141*	95.4	1.15	41.35	C, US
125	1200	445T	825419.00	√	37,192	445TTGN16596	2200	460	T-Stats	155*	95.0	1.00	43.35	C, US, ◇
150	3600	445TS	825112.00	C/A	40,035	445TSTGN16002	2072	460	T-Stats	165*	95.0	1.15	39.60	C, US
150	1800	445T	825113.00	C/A	33,497	445TTGN16035	2072	460	T-Stats	172*	95.8	1.15	43.35	C, US
150	1200	445T	825420.00	√	39,977	445TTGN16595	2384	460	T-Stats	181*	95.8	1.00	43.35	C, US, ◇
200	3600	445TS	825114.00	C/A	48,856	445TSTGN16003	2332	460	T-Stats	222*	95.4	1.15	39.60	C, US
200	1800	445T	825115.00	C/A	39,592	445TTGN16036	2275	460	T-Stats	226*	96.2	1.15	43.35	C, US
200	1200	449T	825421.00	√	56,843	449TTGS16598	2878	460	T-Stats	240*	95.8	1.00	51.85	C, US
250	1800	447/449T	825339.00	C/A	46,947	449TTGS16045	2992	460	T-Stats	285*	96.5	1.00	51.85	C, US
300	1800	449T	825431.00	C/A	50,073	449TTGS16567	3032	460	T-Stats	339*	96.2	1.00	51.85	C, US, ◇
350	1800	449T	825432.00	C/A	55,036	449TTGS16564	—	460	T-Stats	395*	96.2	1.00	51.85	C, US, ◇

Shaded model numbers are cast iron frame

♥ Note listing on inside back flap
Specifications are subject to change without notice

Green items are Premium Efficient

Explosion proof motors having T-Stats are inverter rated

C/A - Check Availability

* F.L. Amps @ 460 Volts

Note ◇ - Motors 825420.00, 825421.00, 825431.00 and 825432.00 have a Roller Bearing at the Drive end for belted applications only



Explosion-Proof Motors

Three Phase - C Face Less Base

Division I, Class I, Groups C&D - Class II, Groups F&G - W/Conduit Box

HP	SYN RPM 60 Hz	NEMA Frame	Catalog Number	Stock	List Price	Model Number	App. Wgt. (lbs)	Voltage	Over-load Prot.	F. L. Amps @ 230 V	% FL. Eff	Service Factor	"C" Dim. (Inches)	♥Notes
1/3	3600	56C	111944.00	√	1,156	A6T34EC23	28	208-230/460	Auto	1.1	78.5	1.00	11.97	S, US, 12
1/3	1800	56C	111931.00	√	1,240	A6T17EC23	29	208-230/460	Auto	1.2	74.5	1.00	11.97	S, US, 12
1/3	1800	56C	117860.00	√	1,222	C6T17EC30	29	208-230/460	T-Stats	1.2	74.5	1.00	11.97	S, US, 12
1/2	3600	56C	111933.00	√	1,203	A6T34EC22	33	208-230/460	Auto	1.6	80.0	1.00	12.47	S, US, 12
1/2	3600	56J	116187.00	√	1,177	A6T34EC28	33	208-230/460	Auto	1.6	80.0	1.00	12.98	S, US, 12
1/2	1800	56C	111930.00	√	1,314	A6T17EC22	34	208-230/460	Auto	1.6	80.0	1.00	12.47	S, US, 12
1/2	1800	56C	117852.00	√	1,296	C6T17XC29	34	208-230/460	T-Stats	1.6	80.0	1.00	12.47	S, US, 12
3/4	3600	56C	111936.00	√	1,240	A6T34XC21	27	208-230/460	Auto	3.2	74.5	1.00	13.44	S, US, 13
3/4	1800	56C	111935.00	√	1,335	A6T17XC23	36	208-230/460	Auto	3.0	75.5	1.00	13.94	S, US, 13
3/4	1800	56C	117853.00	√	1,316	C6T17XC30	36	208-230/460	T-Stats	3.0	75.5	1.00	13.94	S, US, 13
1	3600	56C	119422.00	√	1,424	A6T17XC47	35	230/460	Auto	3.0	80.0	1.00	13.94	S, US, 13
1	3600	56J	119424.00	√	1,436	A6T34XC49	36	230/460	Auto	3.0	80.0	1.00	14.45	S, US, 13
1	1800	56C	119420.00	√	1,565	A6T17XC52	49	230/460	Auto	3.3	85.5	1.00	15.94	S, US, 13
1	1800	56C	119423.00	√	1,546	C6T17XC51	49	230/460	T-Stats	3.3	85.5	1.00	15.94	S, US, 13
1 1/2	3600	56C	119428.00	√	1,478	A6T34XC48	49	208-230/460	Auto	4.2	84.0	1.00	15.94	S, US, 13
1 1/2	3600	56J	119429.00	√	1,440	A6T34XC50	52	208-230/460	Auto	4.0	84.0	1.00	15.94	S, US, 13
1 1/2	1800	56C	119427.00	√	1,584	A6T17XC49	51	230/460	Auto	4.6	86.5	1.00	15.94	S, US, 13
1 1/2	1800	56C	119430.00	√	1,565	C6T17XC50	51	230/460	T-Stats	4.8	86.5	1.00	15.94	S, US, 13
2	3600	56C	119431.00	√	1,470	A6T34XC51	55	230/460	Auto	5.0	85.5	1.15	16.44	S, US, 13
2	3600	56J	119434.00	√	1,482	A6T34XC52	50	230/460	Auto	5.0	85.5	1.00	14.45	S, US, 13
2	1800	145TC	122174.00	√	1,715	A145T17XC9	60	230/460	Auto	6.0	86.5	1.00	16.50	S, US, 13
2	1800	145TC	122175.00	√	1,698	C145T17XC10	60	230/460	T-Stats	6.0	86.5	1.00	16.50	S, US, 13
3	3600	56C	119435.00	√	1,841	A6T34XC53	59	208-230/460	Auto	7.6	87.5	1.00	15.94	S, US, 13
3	1800	182TC	825116.00	√	2,106	182TTGN16026	162	230/460	T-Stats	8.0	90.2	1.00	18.62	C, US, 13
5	3600	184TC	825190.00	C/A	2,259	184TTGN16003	170	230/460	T-Stats	11.8	88.5	1.00	18.62	C, US, 13
5	1800	184TC	825128.00	√	2,259	184TTGN16026	176	230/460	T-Stats	12.4	90.2	1.00	18.62	C, US, 13
7 1/2	3600	213TC	825348.00	C/A	3,391	213TTGN16510	258	230/460	T-Stats	19.0	90.2	1.15	23.45	C, US, 13
7 1/2	1800	213TC	825192.00	C/A	3,362	213TTGN16026	279	230/460	T-Stats	19.2	91.7	1.00	23.45	C, US, 13
10	3600	215TC	825193.00	C/A	3,566	215TTGN16005	—	230/460	T-Stats	24.0	90.2	1.00	23.45	C, US, 13
10	1800	215TC	825194.00	C/A	3,537	215TTGN16026	304	230/460	T-Stats	25.0	91.7	1.00	23.45	C, US, 13
15	1800	254TC	825196.00	C/A	5,291	254TTGN16033	416	230/460	T-Stats	37.5	92.4	1.00	25.77	C, US, 13
20	1800	256TC	825198.00	C/A	6,039	256TTGN16033	—	230/460	T-Stats	48.0	93.0	1.00	25.77	C, US, 13

Shaded model numbers are cast iron frame

Continued on next page

Green items are Premium Efficient

Note 12 - TENV

Note 13 - TEFC

Explosion proof motors having T-Stats are inverter rated

♥ Note listing on inside back flap Specifications are subject to change without notice



Tech Information

Single Phase ODP Motors

Single Phase TEFC Motors

Three Phase ODP Motors

Three Phase TEFC Motors

Inverter Duty Motors

Severe Duty Motors

Explosion Proof Motors

Automotive Duty Motors

Explosion-Proof Motors

Three Phase - C Face With Base



Division I, Division II, Class I, Groups C&D - Class II, Groups F&G - W/Conduit Box

HP	SYN RPM 60 Hz	NEMA Frame	Catalog Number	Stock	List Price	Model Number	App. Wgt. (lbs)	Voltage	Over-load Prot.	F. L. Amps @ 230 V	% F.L. Eff	Service Factor	"C" Dim. (Inches)	♥Notes
1/3	3600	56C	114625.00	√	1,167	A6T34EK1	33	208-230/460	Auto.	1.1	78.5	1.00	11.97	S, US, 12
1/3	1800	56C	114626.00	√	1,261	A6T17EK7	38	208-230/460	Auto.	1.2	74.5	1.00	11.97	S, US, 12
1/3	1800	56C	117859.00	√	1,203	C6T17EK11	38	208-230/460	T-Stats	1.2	74.5	1.00	11.97	S, US, 12
1/2	3600	56C	114627.00	√	1,218	A6T34EK2	35	208-230/460	Auto.	1.6	80.0	1.00	12.47	S, US, 12
1/2	1800	56C	114628.00	√	1,318	A6T17EK8	35	208-230/460	Auto.	1.6	80.0	1.00	12.47	S, US, 12
1/2	1800	56C	116190.00	√	1,278	C6T17XK23	34	208-230/460	T-Stats	2.4	68.0	1.00	13.44	S, US, 13
3/4	3600	56C	114629.00	√	1,366	A6T34XK2	33	208-230/460	Auto.	3.2	74.0	1.00	13.44	S, US, 13
3/4	1800	56C	114630.00	√	1,346	A6T17XK11	42	208-230/460	Auto.	3.0	75.5	1.00	13.94	S, US, 13
3/4	1800	56C	116191.00	√	1,318	C6T17XK24	38	208-230/460	T-Stats	3.0	75.5	1.00	13.44	S, US, 13
1	3600	56C	119436.00	√	1,484	A6T34XK25	38	230/460	Auto.	3.0	80.0	1.00	13.94	S, US, 13
1	1800	56C	119437.00	√	1,584	A6T17XK23	52	230/460	Auto.	3.3	85.5	1.00	15.94	S, US, 13
1	1800	56C	119438.00	√	1,566	C6T17XK34	52	230/460	T-Stats	3.3	85.5	1.00	15.94	S, US, 13
1	1800	143TC	121919.00	√	1,557	C143T17XK3	44	230/460	T-Stats	3.3	85.5	1.00	16.00	S, US, 13
1 1/2	3600	56C	119439.00	√	1,491	A6T34XK24	47	208-230/460	Auto.	4.0	84.0	1.00	14.94	S, US, 13
1 1/2	1800	56C	119440.00	√	1,627	A6T17XK35	51	230/460	Auto.	4.6	86.5	1.00	15.94	S, US, 13
1 1/2	1800	56C	119441.00	√	1,617	C6T17XK36	51	230/460	T-Stats	4.6	86.5	1.00	15.94	S, US, 13
1 1/2	1800	145TC	121920.00	√	1,613	C145T17XK6	58	230/460	T-Stats	4.6	86.5	1.15	16.00	S, US, 13
2	3600	56C	119442.00	√	1,493	A6T34XK26	58	230/460	Auto.	5.0	85.5	1.00	16.44	S, US, 13
2	1800	145TC	121921.00	√	1,797	C145T17XK7	62	230/460	Auto.	6.0	86.5	1.00	16.50	S, US, 13
2	1800	145TC	121922.00	√	1,776	C145T17XK8	66	230/460	T-Stats	6.0	86.5	1.00	16.50	S, US, 13
3	3600	56C	119443.00	√	1,864	C6T34XK24	66	230/460	Auto.	7.6	87.5	1.00	15.94	S, US, 13
3	3600	182TC	825125.00	√	2,130	182TTGN16508	95	230/460	T-Stats	7.6	87.5	1.15	16.62	C, US, 13
3	1800	182TC	825126.00	√	2,130	182TTGN16529	96	230/460	T-Stats	8.0	90.2	1.15	16.62	C, US, 13
5	3600	184TC	825127.00	√	2,274	184TTGN16503	130	230/460	T-Stats	11.8	88.5	1.15	18.62	C, US, 13
5	1800	184TC	825071.00	√	2,274	184TTGN16537	130	230/460	T-Stats	12.4	90.2	1.15	18.62	C, US, 13
7 1/2	3600	213TC	825072.00	√	3,413	213TTGN16507	143	230/460	T-Stats	19.0	90.2	1.15	20.45	C, US, 13
7 1/2	1800	213TC	825073.00	√	3,379	213TTGN16526	143	230/460	T-Stats	20.0	91.7	1.15	20.45	C, US, 13
10	3600	215TC	825074.00	√	3,585	215TTGN16505	160	230/460	T-Stats	23.6	91.7	1.15	23.45	C, US, 13
10	1800	215TC	825075.00	√	3,557	215TTGN16526	160	230/460	T-Stats	25.0	91.7	1.15	23.45	C, US, 13
15	3600	254TC	825076.00	C/A	4,535	254TTGN16507	245	230/460	T-Stats	35.0	91.7	1.15	24.02	C, US, 13
15	1800	254TC	825077.00	√	5,314	254TTGN16540	246	230/460	T-Stats	37.5	92.4	1.15	24.02	C, US, 13
20	3600	256TC	825078.00	√	6,090	256TTGN16513	271	230/460	T-Stats	47.0	92.4	1.15	25.77	C, US, 13
20	1800	256TC	825079.00	√	6,060	256TTGN16543	273	230/460	T-Stats	48.0	93.0	1.15	25.77	C, US, 13
25	3600	284TSC	825080.00	C/A	6,306	284TSTGN16506	373	230/460	T-Stats	57.5	93.0	1.15	24.96	C, US, 13
25	1800	284TC	825081.00	C/A	6,238	284TTGN16540	375	230/460	T-Stats	62.0	93.6	1.15	26.34	C, US, 13
30	1800	286TC	825082.00	C/A	7,088	286TTGN16538	395	230/460	T-Stats	73.0	94.1	1.15	27.84	C, US, 13
40	1800	324TC	825083.00	C/A	9,211	324TTGS1603	563	230/460	T-Stats	95.0	94.1	1.15	30.37	C, US, 13
50	1800	326TC	825084.00	√	11,334	326TTGS16031	585	230/460	T-Stats	120.0	94.5	1.00	30.87	C, US, 13

Shaded model numbers are cast iron frame

Green items are Premium Efficient

Explosion proof motors having T-Stats are inverter rated

Note 12 - TENV

Note 13 - TEFC

♥ Note listing on inside back flap
Specifications are subject to change without notice



NEW!

Explosion Proof Washguard Three Phase - C Face With Base - EPNV

Features:

- USDA-approved finish
- Sealed bearings
- Interior corrosion protected
- Internally locked shaft-end bearing
- Shaft seals on both ends
- Cast iron frame & conduit box
- IP54 enclosure protection
- Potted Leads
- Normally closed T-Stats
- Premium efficiency



Division I, Division II, Class I, Groups C & D; Class II, Groups F & G - W/Conduit Box Three Phase - C Face With Base - EPNV

HP	SYN RPM 60 Hz	NEMA Frame	Catalog Number	Stock	List Price	Model Number	App. Wgt. (lbs)	Voltage	Over-load Prot.	F. L. Amps @ 230 V	% FL. Eff	Service Factor	"C" Dim. (Inches)	♥Notes
1/2	1800	56CY	119955.00	√	1,350	C6T17EK12	32	230/460	T-Stats	1.6	80.0	1.00	11.11	C, US
3/4	1800	56CY	119956.00	√	1,377	C6T17EK13	35	230/460	T-Stats	2.4	81.5	1.00	11.11	C, US
1	1800	56CY	119957.00	√	1,580	C6T17EK14	49	230/460	T-Stats	3.0	85.5	1.00	13.36	C, US
1	1800	143TC	122395.00	√	1,580	C143T17EX1	50	230/460	T-Stats	3.0	85.5	1.00	13.42	C, US
1 1/2	1800	56CY	119958.00	√	1,694	C6T17XK42	52	230/460	T-Stats	4.6	86.5	1.00	15.13	C, US
1 1/2	1800	145TC	122396.00	√	1,694	C145T17EK10	53	230/460	T-Stats	4.8	86.5	1.00	15.19	C, US
2	1800	145TC	122397.00	√	1,788	C145T17EK11	56	230/460	T-Stats	6.0	86.5	1.00	13.42	C, US

Green items are Premium Efficient

NOTE: 56 frame motors will have a non-NEMA BA dimension- BA of a 143/5T frame motor

♥ Note listing on inside back flap
Specifications are subject to change without notice



Tech Information

Single Phase
ODP Motors

Single Phase
TEFC Motors

Three Phase
ODP Motors

Three Phase
TEFC Motors

Inverter Duty
Motors

Severe Duty
Motors

Explosion Proof
Motors

Automotive
Duty Motors

Automotive Duty Motors

Lincoln Motors™ Automotive Duty Motors™



- Meets NEMA® U-frame dimensions and performance
- Meets or exceeds General Motors® GM-7EH, and -7EQ, Ford® Emi and Chrysler® NPEM-100 specifications
- NEMA Design B performance
- Inverter rated
- Oversized cast iron conduit box with threaded conduit holes
- Lower noise designs
- Shielded ball bearing construction
- UL recognized component listing and CSA approved
- Nameplated 1.15 service factor, 40° ambient and 1.00 service factor, 65° ambient

Applications:

Ideally suited for a wide variety of tough applications found in automotive manufacturing facilities and other industries utilizing U-Frame motors, which would include pumps, conveyors and fans.



Chrysler is believed to be the trademark of The Chrysler Group, and is not owned or controlled by Regal Beloit Corporation.

Ford is believed to be the trademark of Ford Motor Company, and is not owned or controlled by Regal Beloit Corporation.

General Motors is believed to be the trademark of General Motors LLC, and is not owned or controlled by Regal Beloit Corporation.

NEMA is believed to be the trademark of National Electrical Manufacturers Corporation, and is not owned or controlled by Regal Beloit Corporation.



Automotive Duty Motors

Lincoln Automotive Duty Motors

Totally Enclosed - 56 Frame - 1/4 HP - 1 HP

Tech Information

Single Phase
ODP Motors

Single Phase
TEFC Motors

Three Phase
ODP Motors

Three Phase
TEFC Motors

Inverter Duty
Motors

Severe Duty
Motors

Explosion Proof
Motors

Automotive
Duty Motors

Features:

- NEMA® Design B performance
- Steel frame/cast aluminum end brackets
- Premium Class F insulation system
- Continuous duty

Application Notes:

Ideally suited for use on pumps, fans, conveyors, gear boxes and other equipment located in automotive manufacturing facilities.



Three Phase - Totally Enclosed - Rigid Base

HP	SYN RPM 60 Hz	NEMA Frame	Catalog Number	Stock	List Price	Model Number	App. Wgt. (lbs)	Voltage	F. L. Amps @ 460 V	% FL. Eff.	Service Factor	"C" Dim. (Inches)	♥Notes
1/4	1800	56	LM25123	√	674	SRN4H0.25T61	22	230/460	1.1	70.0	1.00	9.94	S, MX, 12
1/4	1200	56	LM25127	C/A	962	SRN6H0.25T61	28	230/460	1.2	72.0	1.00	10.94	S, MX, 12
1/3	3600	56	LM25124	√	606	SRN2H0.33T61	20	230/460	2.0	64.0	1.00	9.94	S, US, 12
1/3	1800	56	LM25115	C/A	717	SRN4H0.33T61	22	230/460	1.2	74.5	1.00	9.94	S, MX, 12
1/3	1200	56	LM25116	C/A	972	SRN6H0.33T61	29	230/460	1.5	75.5	1.00	10.94	S, US, 12
1/2	3600	56	LM25126	C/A	650	SRN2H0.5T61	23	230/460	1.6	74.0	1.00	9.94	S, US, 12
1/2	1800	56	LM24258	√	819	SRN4H0.5T61	26	230/460	2.0	77.0	1.00	10.44	S, MX, 12
1/2	1200	56	LM24268	√	1,073	SRN6H0.5T61	42	230/460	1.9	78.5	1.00	11.94	S, MX, 12
3/4	3600	56	LM25133	C/A	743	SRN2H0.75T61	34	230/460	2.4	80.0	1.00	10.94	S, US, 12
3/4	1800	56	LM24266	C/A	907	SRN4H0.75T61	30	230/460	2.4	81.5	1.00	10.94	S, MX, 12
1	3600	56	LM25129	C/A	837	SRN2B1T61	41	230/460	2.8	82.5	1.00	11.94	S, US, 12
1	1800	56	LM34178	C/A	897	SRF4B1T61	37	230/460	3.3	85.5	1.00	14.62	S, MX, 13

Green items are Premium Efficient

C/A - Check Availability

Note 12 - TENV

Note 13 - TEFC

♥ Note listing on inside back flap
Specifications are subject to change without notice



Automotive Duty Motors

Lincoln Motors™ Automotive Duty Motors

Totally Enclosed - 56 Frame - 1/4 HP - 1 HP



Three Phase - TEFC - C Face - Rigid Base

HP	SYN RPM 60 Hz	NEMA Frame	Catalog Number	Stock	List Price	Model Number	App. Wgt. (lbs)	Voltage	F. L. Amps @ 230 V	% F.L. Eff.	Service Factor	"C" Dim. (Inches)	♥Notes
1/4	1800	56C	LM25131	C/A	740	SRN4H0.25TC61	20	208-230/460	1.1	68.0	1.15	9.94	S, US
1/4	1200	56C	LM25135	√	1,121	SRN6H0.25TC61	24	208-230/460	1.2	72.0	1.00	10.94	S, US
1/3	3600	56C	LM25153	C/A	676	SRN2H0.33TC61	20	208-230/460	2.0	64.0	1.15	9.94	S, US
1/3	1800	56C	LM25149	C/A	787	SRN4H0.33TC61	22	208-230/460	1.2	74.5	1.00	9.94	S, US
1/2	3600	56C	LM25151	C/A	717	SRN2H0.5TC61	25	208-230/460	1.8	74.0	1.00	10.44	S, US
1/2	1800	56C	LM25114	√	890	SRN4H0.5TC61	24	208-230/460	2.0	77.0	1.00	10.44	S, MX
1/2	1200	56C	LM25134	C/A	1,142	SRN6H0.5TC61	42	208-230/460	1.9	78.5	1.00	11.94	S, MX
3/4	3600	56C	LM25119	C/A	815	SRN2H0.75TC61	34	208-230/460	2.4	80.0	1.00	10.94	S, US
3/4	1800	56C	LM25121	√	977	SRN4H0.75TC61	30	208-230/460	2.4	81.5	1.00	10.94	S, MX
1	3600	56C	LM25125	C/A	906	SRN2B1TC61	41	208-230/460	2.8	82.5	1.00	11.94	S, US
1	1800	56C	LM25117	D	851	SRF4H1TC61	31	208-230/460	3.6	77.0	1.00	12.31	S, MX
1	1800	56C	LM34180	√	983	SRF4B1TC61	42	208-230/460	3.3	85.5	1.00	14.15	S, MX, ■

Green items are Premium Efficient

■ - meets 40° C @ 1.0 service factor

D - Item to be discontinued once inventory is depleted

C/A - Check Availability

♥ Note listing on inside back flap

Specifications are subject to change without notice

Three Phase - TEFC - C Face Less Base

HP	SYN RPM 60 Hz	NEMA Frame	Catalog Number	Stock	List Price	Model Number	App. Wgt. (lbs)	Voltage	F. L. Amps @ 230 V	% F.L. Eff.	Service Factor	"C" Dim. (Inches)	♥Notes
1/4	1800	56C	LM25136	√	740	SRN4H0.25TCN61	19	230/460	1.1	70.0	1.00	9.94	S, MX
1/3	3600	56C	LM25158	C/A	676	SRN2H0.33TCN61	21	230/460	2.0	64.0	1.00	9.94	S, US
1/3	1800	56C	LM25128	C/A	787	SRN4H0.33TCN61	21	230/460	1.2	68.0	1.00	9.94	S, MX
1/2	3600	56C	LM25154	C/A	717	SRN2H0.5TCN61	23	230/460	1.6	74.0	1.15	9.94	S, US
1/2	1800	56C	LM24259	C/A	890	SRN4H0.5TCN61	26	230/460	2.0	77.0	1.00	10.44	S, MX
3/4	3600	56C	LM25139	C/A	812	SRN2H0.75TCN61	26	230/460	2.0	84.0	1.15	11.94	S, US
3/4	1800	56C	LM24262	C/A	977	SRN4H0.75TCN61	25	230/460	2.4	81.5	1.00	10.94	S, MX
1	3600	56C	LM25112	C/A	907	SRN2B1TCN61	33	230/460	2.8	82.5	1.00	11.94	S, US
1	1800	56C	LM34181	√	983	SRF4B1TCN61	33	230/460	3.3	85.5	1.00	14.15	S, MX

Green items are Premium Efficient

D - Item to be discontinued once inventory is depleted

C/A - Check Availability

♥ Note listing on inside back flap

Specifications are subject to change without notice

Automotive Duty Motors

Lincoln Motors™ Automotive Duty Motors

U-Frame - Three Phase - 460 Volts

Tech Information

Single Phase
ODP Motors

Single Phase
TEFC Motors

Three Phase
ODP Motors

Three Phase
TEFC Motors

Inverter Duty
Motors

Severe Duty
Motors

Explosion Proof
Motors

Automotive
Duty Motors

Features:

- Meets NEMA® U-Frame dimensional and performance standards
- Meets or exceeds General Motors® GM-7EH and -7EQ, Ford® EM1, and Chrysler® NPEM-100 specifications
- Full cast iron construction – all frame sizes
- Oversized, cast iron terminal box with threaded conduit holes
- NEMA Design B performance
- Continuous duty
- Inverter-Rated
- Premium Class F insulation system

Application Notes:

Ideally suited for a wide variety of tough applications found in automotive manufacturing facilities and other industries utilizing U-Frame motors.

Lincoln Motors U-Frame motors exceed NEMA MG-1, Section IV, Part 31 spike resistance requirements.

Three Phase - TEFC - Rigid Base

HP	SYN RPM 60 Hz	NEMA Frame	Catalog Number	Stock	List Price	Model Number	App. Wgt. (lbs)	Voltage	F. L. Amps @ 460 V	% F.L. Eff.	Service Factor	"C" Dim. (Inches)	Notes
3/4	1200	182U	LM21379	C/A	1,443	CCN6P0.75U64	89	460	1.3	82.5	1.00	12.21	C, US
1	1800	182U	LM21378	√	1,358	CCN4B1U64	110	460	1.5	87.5	1.00	12.21	C, US
1	1200	184U	LM21381	√	1,659	CCN6B1U64	108	460	1.7	86.5	1.00	13.21	C, US
1 1/2	3600	182U	LM21084	C/A	1,248	CCN2B1.5U64	108	460	2.0	85.5	1.00	12.21	C, US
1 1/2	1800	184U	LM21380	C/A	1,453	CCN4B1.5U64	108	460	2.1	88.8	1.00	13.21	C, US
1 1/2	1200	184U	LM20709	√	1,825	CCN6B1.5U64	99	460	2.2	87.5	1.10	13.21	C, US
2	3600	184U	LM21085	C/A	1,374	CCF2B2U64	120	460	2.7	85.5	1.00	15.69	C, US
2	1800	184U	LM20708	√	1,529	CCF4B2U64	120	460	2.6	89.5	1.00	15.69	C, US
2	1200	213U	LM34354	C/A	2,186	CCF6B2U64	177	460	—	88.5	1.00	—	C, US
3	3600	184U	LM20707	√	1,693	CCF2B3U64	120	460	3.8	87.5	1.00	15.69	C, US
3	1800	213U	LM34115	√	1,917	CCF4B3U64	177	460	3.9	89.5	1.00	19.25	C, US
3	1200	215U	LM20391	C/A	2,507	CCF6B3U64	170	460	4.4	89.5	1.00	19.32	C, US
5	3600	213U	LM34108	√	2,084	CCF2B5U64	174	460	5.9	91.0	1.00	—	C, US
5	1800	215U	LM20392	C/A	2,332	CCF4B5U64	170	460	6.5	89.5	1.00	19.32	C, US
5	1200	254U	LM21385	C/A	3,673	CCF6B5U64	260	460	6.7	90.2	1.00	23.27	C, US
7 1/2	3600	215U	LM34355	C/A	2,530	CCF2P7.5U64	—	460	—	91.7	1.00	—	C, US
7 1/2	1800	254U	LM21384	√	3,065	CCF4B7.5U64	260	460	9.6	91.7	1.00	23.44	C, US
7 1/2	1200	256U	LM20389	C/A	4,459	CCF6B7.5U64	332	460	9.9	91.0	1.00	25.02	C, US
10	3600	254U	LM21087	C/A	2,705	CCF2B10U64	260	460	12.0	90.2	1.00	23.44	C, US
10	1800	256U	LM20390	√	3,723	CCF4B10U64	260	460	12.5	91.7	1.00	25.19	C, US
15	3600	256U	LM20394	√	3,445	CCF2B15U64	260	460	17.5	91.7	1.00	25.02	C, US
15	1800	284U	LM21665	C/A	5,112	CCF4B15U64	525	460	18.0	92.4	1.00	26.56	C, US

Shaded model numbers are cast iron frame

♥ Note listing on inside back flap
Specifications are subject to change without notice

Green items are Premium Efficient

C/A - Check Availability

Chrysler is believed to be the trademark of The Chrysler Group, and is not owned or controlled by Regal Beloit Corporation.

Ford is believed to be the trademark of Ford Motor Company, and is not owned or controlled by Regal Beloit Corporation.

General Motors is believed to be the trademark of General Motors LLC, and is not owned or controlled by Regal Beloit Corporation.

NEMA is believed to be the trademark of National Electrical Manufacturers Corporation, and is not owned or controlled by Regal Beloit Corporation.



Automotive Duty Motors

Lincoln Motors™ Automotive Duty Motors

U-Frame - Three Phase - 460 Volts

Three Phase - TEFC - Rigid Base

HP	SYN RPM 60 Hz	NEMA Frame	Catalog Number	Stock	List Price	Model Number	App. Wgt. (lbs)	Voltage	F. L. Amps @ 460 V	% FL. Eff.	Service Factor	"C" Dim. (Inches)	♥Notes
20	3600	286U	LM21088	√	4,684	CCF2B20U64	525	460	23.4	92.4	1.00	28.06	C, US
20	1800	286U	LM20029	√	6,284	CCF4B20U64	525	460	24.1	93.0	1.00	28.06	C, US
25	3600	324U	LM21089	C/A	6,009	CCF2B25U64	748	460	28.1	93.6	1.00	29.34	C, US
25	3600	324US	LM21807	C/A	6,009	CCF2B25US64	748	460	28.1	93.6	1.00	26.97	C, US
25	1800	324U	LM34109	√	8,610	CCF4B25U64	—	460	31.0	93.6	1.00	28.97	C, US
30	3600	326US	LM34333	C/A	8,043	CCF2B30US64	—	460	—	91.7	1.00	—	C, US
30	1800	326U	LM20030	C/A	9,185	CCF4B30U64	748	460	36.0	94.1	1.00	30.74	C, US
40	3600	364US	LM21091	C/A	9,464	CCF2B40US64	908	460	45.0	93.6	1.00	29.38	C, US
40	1800	364U	LM21388	C/A	12,110	CCF4B40U64	977	460	46.5	94.1	1.00	32.00	C, US
50	3600	365US	LM21092	C/A	11,940	CCF2B50US64	980	460	56.0	94.1	1.00	30.38	C, US
50	3600	365U	LM21799	√	11,940	CCF2B50U64	980	460	56.0	94.1	1.00	33.00	C, US
50	1800	365U	LM19530	C/A	14,210	CCF4B50U64	1063	460	57.0	94.5	1.00	33.00	C, US
60	3600	405US	LM19532	C/A	14,206	CCF2B60US64	1130	460	65.5	94.1	1.00	34.12	C, US
60	1800	405U	LM21391	C/A	17,640	CCF4B60U64	1110	460	67.5	95.0	1.00	37.00	C, US
75	3600	444US	LM21093	C/A	18,668	CCF2B75US64	1685	460	84.0	94.1	1.00	38.94	C, US
75	1800	444U	LM34110	C/A	24,367	CCF4B75U64Y	—	460	85.0	95.4	1.00	43.47	C, US
75	1200	445U	LM19535	C/A	25,434	CCF6B75U64	1787	460	90.0	95.0	1.00	43.70	C, US
100	3600	445US	LM21094	C/A	24,672	CCF2B100US64	1685	460	113.0	95.4	1.00	38.94	C, US
100	1800	445U	LM19534	C/A	27,048	CCF4B100U64	1787	460	113.0	95.4	1.00	43.47	C, US

Shaded model numbers are cast iron frame

♥ Note listing on inside back flap
Specifications are subject to change without notice

Green items are Premium Efficient

C/A - Check Availability

U-Frame - Three Phase - 460 Volts -C Face Less Base

Three Phase - TEFC - C Face Less Base

HP	SYN RPM 60 Hz	NEMA Frame	Catalog Number	Stock	List Price	Model Number	App. Wgt. (lbs)	Voltage	F. L. Amps @ 460 V	% FL. Eff.	Service Factor	"C" Dim. (Inches)	♥Notes
1	1800	182UC	LM23781	C/A	1,453	CCN4B1UCN64	108	460	1.5	87.5	1.00	12.96	C, US
1 1/2	1800	184UC	LM23783	C/A	1,548	CCN4B1.5UCN64	120	460	2.1	88.5	1.00	13.96	C, US
2	1800	184UC	LM23782	C/A	1,628	CCF4B2UCN64	132	460	2.6	89.5	1.00	16.22	C, US
3	1800	213UC	LM34356	C/A	2,149	CCF4B3UCN64	—	460	—	89.5	1.00	—	C, US
5	1800	215UC	LM24072	√	2,668	CCF4B5UCN64	181	460	6.5	89.5	1.00	20.08	C, US
7 1/2	1800	254UC	LM23784	C/A	3,215	CCF4B7.5UCN64	385	460	9.6	91.7	1.00	23.94	C, US

Shaded model numbers are cast iron frame

♥ Note listing on inside back flap
Specifications are subject to change without notice

Green items are Premium Efficient

C/A - Check Availability



Automotive Duty Motors

Lincoln Motors™ Automotive Duty Motors™

U-Frame - Three Phase - 460 Volts

Tech Information

Three Phase - TEFC - C Face With Base

HP	SYN RPM 60 Hz	NEMA Frame	Catalog Number	Stock	List Price	Model Number	App. Wgt. (lbs)	Voltage	F. L. Amps @ 460 V	% F.L. Eff.	Service Factor	"C" Dim. (Inches)	♥Notes
3/4	1200	182UC	LM21828	C/A	1,537	CCN6P0.75UC64	120	460	1.3	82.5	1.00	12.96	C, US
1	1800	182UC	LM21827	C/A	1,453	CCN4B1UC64	120	460	1.5	87.5	1.00	12.96	C, US
1 1/2	3600	182UC	LM21826	C/A	1,345	CCN2B1.5UC64	120	460	2.0	85.5	1.00	12.96	C, US
1 1/2	1800	184UC	LM21833	C/A	1,548	CCN4B1.5UC64	120	460	2.1	88.5	1.00	13.96	C, US
2	3600	184UC	LM21831	C/A	1,477	CCF2B2UC64	132	460	2.7	85.5	1.00	14.10	C, US
2	1800	184UC	LM21832	C/A	1,628	CCF4B2UC64	132	460	2.6	89.5	1.00	16.22	C, US
3	3600	184UC	LM21829	√	1,764	CCF2B3UC64	132	460	3.8	87.5	1.00	16.22	C, US
3	1800	213UC	LM34112	C/A	2,150	CCF4B3UC64	—	460	3.9	89.5	1.00	20.00	C, US
3	1200	215UC	LM21841	C/A	2,620	CCF6B3UC64	181	460	4.4	89.5	1.00	20.08	C, US
5	3600	213UC	LM21836	D	1,970	CCF2P5UC64	181	460	6.4	87.5	1.00	18.58	C, US
5	3600	213UC	LM34113	C/A	2,265	CCF2B5UC64	181	460	5.9	91.0	1.00	20.00	C, US
5	1800	215UC	LM21840	C/A	2,447	CCF4B5UC64	181	460	6.5	89.5	1.00	20.08	C, US
5	1200	254UC	LM21844	C/A	3,632	CCF6B5UC64	272	460	6.7	90.2	1.00	23.77	C, US
7 1/2	3600	215UC	LM34114	C/A	2,561	CCF2B7.5UC64	—	460	8.9	90.2	1.00	20.00	C, US
7 1/2	1800	254UC	LM21843	C/A	3,215	CCF4B7.5UC64	272	460	9.6	91.7	1.00	23.89	C, US
7 1/2	1200	256UC	LM21847	C/A	3,989	CCF6P7.5UC64	260	460	9.9	91.0	1.00	25.52	C, US
10	3600	254UC	LM34334	C/A	3,194	CCF2B10UC64	—	460	—	90.2	1.00	—	C, US
10	1800	256UC	LM21846	√	3,872	CCF4B10UC64	272	460	12.5	91.7	1.00	25.64	C, US
15	3600	256UC	LM21845	C/A	3,591	CCF2B15UC64	272	460	17.5	91.7	1.00	25.22	C, US
15	1800	284UC	LM21848	√	5,374	CCF4B15UC64	531	460	18.0	92.4	1.00	26.52	C, US
15	1200	324UC	LM21854	C/A	7,787	CCF6B15UC64	757	460	19.2	92.4	1.00	32.50	C, US
20	3600	286UC	LM21850	D	4,941	CCF2P20UC64	531	460	23.4	92.4	1.00	28.02	C, US
20	3600	286UC	LM34335	C/A	5,682	CCF2B20UC64	—	460	—	91.0	1.00	—	C, US
20	1800	286UC	LM21851	C/A	6,538	CCF4B20UC64	531	460	24.1	93.0	1.00	28.02	C, US
20	1200	326UC	LM21857	C/A	9,418	CCF6B20UC64	757	460	25.5	92.4	1.00	34.00	C, US
25	3600	324USC	LM21893	C/A	6,443	CCF2B25USC64	755	460	28.1	93.6	1.00	27.22	C, US
25	1800	324UC	LM21853	C/A	8,290	CCF4B25UC64	755	460	—	94.1	1.00	—	C, US
30	3600	326USC	LM34336	C/A	8,846	CCF2B30USC64	—	460	—	91.7	1.00	—	C, US
30	1800	326UC	LM21856	C/A	9,613	CCF4B30UC64	755	460	36.0	94.1	1.00	34.00	C, US
40	3600	364USC	LM21883	C/A	10,154	CCF2B40USC64	917	460	45.0	93.6	1.00	29.38	C, US
40	1800	364UC	LM21859	C/A	12,801	CCF4B40UC64	986	460	46.5	94.1	1.00	32.00	C, US
50	3600	365USC	LM21886	C/A	12,633	CCF2B50USC64	989	460	56.0	94.1	1.00	30.38	C, US
50	1800	365UC	LM21862	C/A	14,900	CCF4B50UC64	1072	460	57.0	94.5	1.00	33.00	C, US
60	3600	405USC	LM21890	C/A	15,023	CCF2B60USC64	1143	460	65.5	94.1	1.00	34.12	C, US
60	1800	405UC	LM21866	C/A	18,462	CCF4B60UC64	1123	460	67.5	95.0	1.00	37.00	C, US
75	3600	444USC	LM21877	C/A	19,685	CCF2B75USC64	1708	460	82.0	94.1	1.00	37.00	C, US
75	1800	444UC	LM34337	C/A	26,835	CCF4B75UC64	—	460	—	95.4	1.00	—	C, US
100	3600	445USC	LM21896	C/A	25,684	CCF2B100USC64	1708	460	—	95.4	1.00	—	C, US
100	1800	445UC	LM21872	C/A	28,058	CCF4B100UC64	1810	460	9.2	95.4	1.00	—	C, US

Shaded model numbers are cast iron frame

Green items are Premium Efficient

D - Item to be discontinued once inventory is depleted
C/A - Check Availability

♥ Note listing on inside back flap
Specifications are subject to change without notice

Single Phase
ODP Motors

Single Phase
TEFC Motors

Three Phase
ODP Motors

Three Phase
TEFC Motors

Inverter Duty
Motors

Severe Duty
Motors

Explosion Proof
Motors

Automotive
Duty Motors



Pump Motors

Pump
Motors

Washguard
Motors

Agricultural
Duty Motors

HVAC / Fan
Motors

Special Voltage
Motors

Definite
Purpose Motors

Brake Motors

IEC Motors

DC Motors



- Jet pump, JM & JP pump, carbonator pump and fire pump motors
- Wash down duty pump motors available
- Explosion proof jet pump motors available
- Three phase and single phase models
- Premium efficient JM & JP pump motors available
- 1.15 service factor or better
- Jet pump motors have quick connect terminal boards
- Drip-proof and totally enclosed designs
- Drip-cover kits available on drip-proof designs
- Threaded jet pump motors have stainless steel shafts
- Jet pump single phase motors have automatic overload protection
- UL recognized and CSA certified

**For a Full Selection of
Pump Motors please view
the product section at
[www.regalbeloit.com/Brands/
LEESON](http://www.regalbeloit.com/Brands/LEESON)**

Applications:

Designed for various applications that you may find in the pumping industry where direct coupled motor to pump is required.



Pump Motors

Jet Pump Motors - Single Phase

Pump Motors

Washguard Motors

Agricultural Duty Motors

HVAC / Fan Motors

Special Voltage Motors

Definite Purpose Motors

Brake Motors

IEC Motors

DC Motors

General Specifications:

- NEMA® 56 C face mounting flange
- Keyed shafts made of carbon steel
- Threaded shafts made of 416 grade stainless steel
- Dual rotation - key shaft motors only
- Quiet flow-through ventilation system
- Double sealed bearings on shaft end
- Terminal board with quick connects
- Locked shaft-end bearings
- Automatic overload protection
- UL recognized and CSA certified



Keyed Shaft - Drip-Proof - Single Phase - C Face Less Base

HP	SYN RPM 60 Hz	NEMA Frame	Catalog Number	Stock	List Price	Model Number	App. Wgt. (lbs)	Voltage	Over-load Prot.	F. L. Amps @ 230 V	Service Factor	"C" Dim. (Inches)	♥Notes
1/2	3600	S56C	100204.00	√	412	A4C34DC4	22	115/208-230	Auto.	3.4	1.60	9.49	S, MX, 30
3/4	3600	S56C	100205.00	√	543	A4C34DC5	24	115/208-230	Auto.	5.1	1.50	9.99	S, MX, 30
1	3600	S56C	100722.00	√	586	A4C34DC21	27	115/208-230	Auto.	5.7	1.40	10.49	S, MX, 30
1 1/2	3600	56C	110288.00	√	769	U6C34DC18	34	115/208-230	Auto.	9.0	1.30	11.34	S, US, 30
2	3600	56C	110289.00	√	991	U6C34DC19	40	115/208-230	Auto.	10.5	1.25	12.34	S, US, 30
3	3600	56C	117715.00	√	1,013	U6K34DC19	51	230	Auto.	12.8	1.15	13.55	S, US, 30, 53

♥ Note listing on inside back flap
Specifications are subject to change without notice

Threaded Shaft - Drip-Proof - Single Phase - C Face Less Base

HP	SYN RPM 60 Hz	NEMA Frame	Catalog Number	Stock	List Price	Model Number	App. Wgt. (lbs)	Voltage	Over-load Prot.	F. L. Amps @ 230 V	Service Factor	"C" Dim. (Inches)	♥Notes
1/2	3600	S56J	100207.00	√	397	A4C34DC7	22	115/208-230	Auto.	3.4	1.60	10.00	S, MX, 30
3/4	3600	S56J	100208.00	√	516	A4C34DC8	21	115/208-230	Auto.	5.1	1.50	10.50	S, MX, 30
1	3600	S56J	100723.00	√	541	A4C34DC22	26	115/208-230	Auto.	5.7	1.40	11.00	S, MX, 30
1 1/2	3600	56J	119090.00	√	631	A6C34DC75	25	115/208-230	Auto.	9.2	1.30	11.89	S, MX, 30
2	3600	56J	119091.00	√	855	A6C34DC76	38	115/208-230	Auto.	10.6	1.20	13.73	S, MX, 30
3	3600	56J	119092.00	√	873	U6K34DC21	48	115/208-230	Auto.	14.7	1.15	13.17	S, MX, 30, 53

Note: 30 CW rotation only, lead end of motor
53 Capacitor start/capacitor run design for reduced amperage, others are capacitor start/induction run

♥ Note listing on inside back flap
Specifications are subject to change without notice



Pump Motors

Jet Pump Motors - Single Phase

Threaded Shaft - Totally Enclosed - Single Phase - C Face Less Base

HP	SYN RPM 60 Hz	NEMA Frame	Catalog Number	Stock	List Price	Model Number	App. Wgt. (lbs)	Voltage	Over-load Prot.	F. L. Amps @ 230 V	Service Factor	"C" Dim. (Inches)	♥Notes
1/2	3600	56J	113955.00	√	465	A6C34FC44	25	115/208-230	Auto.	3.8	1.60	11.28	S, US, 30
3/4	3600	56J	113956.00	√	553	A6C34FC45	28	115/208-230	Auto.	5.0	1.50	11.86	S, US, 30
1	3600	56J	113639.00	√	676	A6C34FC41	33	115/208-230	Auto.	6.0	1.25	12.28	S, US, 30
1 1/2	3600	56J	113640.00	√	803	A6C34FC42	33	115/208-230	Auto.	8.5	1.00	12.86	S, US, 30
2	3600	56J	113641.00	√	949	U6C34FC34	44	115/208-230	Auto.	10.0	1.00	13.78	S, US, 30

Note 30 CW rotation only, lead end of motor

♥ Note listing on inside back flap
Specifications are subject to change without notice

Threaded Shaft - Totally Enclosed - Single Phase - C Face With Base

HP	SYN RPM 60 Hz	NEMA Frame	Catalog Number	Stock	List Price	Model Number	App. Wgt. (lbs)	Voltage	Over-load Prot.	F. L. Amps @ 230 V	Service Factor	"C" Dim. (Inches)	♥Notes
1/2	3600	56J	113637.00	√	536	A6C34FK49	26	115/208-230	Auto.	3.8	1.60	11.28	S, US, 30
3/4	3600	56J	113638.00	√	554	A6C34FK50	29	115/208-230	Auto.	5.0	1.50	11.78	S, US, 30
1	3600	56J	113957.00	√	670	A6C34FK53	31	115/208-230	Auto.	6.0	1.25	12.28	S, US, 30
1 1/2	3600	56J	113958.00	√	797	A6C34FK54	34	115/208-230	Auto.	8.5	1.00	12.78	S, US, 30
2	3600	56J	113959.00	√	939	U6C34FK55	46	115/208-230	Auto.	10.0	1.00	13.86	S, US, 30

♥ Note listing on inside back flap
Specifications are subject to change without notice

Threaded Shaft - Explosion Proof - Totally Enclosed - Single Phase - C Face Less Base

HP	SYN RPM 60 Hz	NEMA Frame	Catalog Number	Stock	List Price	Model Number	App. Wgt. (lbs)	Voltage	Over-load Prot.	F. L. Amps @ 230 V	Service Factor	"C" Dim. (Inches)	♥Notes
1/2	3600	56J	116188.00	√	951	A6C34XC31	38	115/208-230	Auto.	4.2	1.00	13.95	S, US
3/4	3600	56J	116186.00	√	1072	A6C34XC32	43	115/208-230	Auto.	5.3	1.00	14.45	S, US
1	3600	56J	116185.00	√	1,149	A6C34XC33	36	115/208-230	Auto.	6.2	1.00	14.95	S, US
1 1/2	3600	56J	116183.00	√	1,474	A6C34XC34	40	115/208-230	Auto.	7.7	1.00	14.95	S, US
2	3600	56J	116181.00	√	1,602	A6C34XC35	43	115/208-230	Auto.	10.0	1.00	15.45	S, US

Note 30 CW rotation only, lead end of motor

♥ Note listing on inside back flap
Specifications are subject to change without notice

Drip-Cover Kits

Each kit includes one drip-cover, designed to protect motors from rain, snow and ice when mounted outdoors in a vertical position.



Drip Cover Kits For Jet Pump Motors

Frame	Catalog Number	App. Wgt. (lbs)	List Price	♥Notes
48-S56	175003.00	2	65	
48-S56	175298.00	2	65	P
56 / 143T-145T	175004.00	2	76	

Note P - For motors having a "P" suffix on date code

Pump Motors

Jet Pump Motors - Three Phase

Pump Motors

Washguard Motors

Agricultural Duty Motors

HVAC / Fan Motors

Special Voltage Motors

Definite Purpose Motors

Brake Motors

IEC Motors

DC Motors

General Specifications:

- NEMA® 56 C face mounting flange
- Threaded shafts made of 303 grade stainless steel
- CCW rotation facing lead end
- Quiet flow-through ventilation system
- Double sealed bearings on shaft end
- Terminal board with quick connects
- Locked shaft end bearings
- Automatic overload protection on explosion proof jet pump motors
- UL recognized and CSA certified



Threaded Shaft - Drip-Proof - Three Phase - C Face Less Base

HP	SYN RPM 60 Hz	NEMA Frame	Catalog Number	Stock	List Price	Model Number	App. Wgt. (lbs)	Voltage	F. L. Amps @ 230 V	% F.L. EFF.	Service Factor	"C" Dim. (Inches)	♥Notes
1/3	3600	S56J	102197.00	C/A	413	C4T34DC25	16	230/460	1.4	68.0	1.35	9.69	S, US
1/3	1800	S56J	103723.00	C/A	450	C4T17DC50	16	208-230/460	1.8	64.3	1.35	10.00	S, MX
1/2	3600	S56J	102198.00	√	435	C4T34DC26	20	208-230/460	1.8	69.0	1.25	9.75	S, US
1/2	1800	S56J	103724.00	√	489	C4T17DC51	18	230/460	2.0	68.0	1.25	10.50	S, MX
3/4	3600	S56J	101637.00	√	524	C4T34DC20	21	230/460	2.4	79.0	1.15	10.19	S, US
3/4	1800	S56J	103725.00	√	576	C4T17DC52	19	230/460	2.8	75.0	1.25	11.00	S, MX
1	3600	S56J	101638.00	√	581	C4T34DC21	25	230/460	3.0	78.0	1.15	11.44	S, US
1	1800	56J	117872.00	√	667	C6T17DC89	15	208-230/460	4.2	78.5	1.15	10.87	S, US
1 1/2	3600	56J	113891.00	√	695	C6T34DC64	31	208-230/460	4.2	81.5	1.15	11.34	S, US
1 1/2	1800	56J	117873.00	√	725	C6T17DC87	28	230/460	5.6	78.5	1.15	11.37	S, US
2	3600	56J	113892.00	√	825	C6T34DC65	34	208-230/460	5.6	82.5	1.15	11.84	S, US
2	1800	56J	117874.00	√	829	C6T17DC88	34	230/460	6.2	78.5	1.15	11.87	S, US
3	3600	56J	113893.00	√	975	C6T34DC66	39	230/460	7.6	84.0	1.15	12.34	S, US
5	3600	56J	116698.00	√	1,070	C6T34DC92	52	230/460	12.4	85.5	1.15	13.68	S, US

C/A - Check Availability

♥ Note listing on inside back flap
Specifications are subject to change without notice

Threaded Shaft - Drip-Proof - Three Phase - C Face With Base

HP	SYN RPM 60 Hz	NEMA Frame	Catalog Number	Stock	List Price	Model Number	App. Wgt. (lbs)	Voltage	F. L. Amps @ 230 V	% F.L. EFF.	Service Factor	"C" Dim. (Inches)	♥Notes
1/2	3600	S56J	102199.00	√	495	C4T34DK8	20	208-230/460	1.8	69.0	1.25	9.75	S, US
1/2	1800	S56J	103726.00	√	503	C4T17DK12	20	230/460	2.0	68.0	1.25	11.75	S, MX
3/4	3600	S56J	101776.00	√	524	C4T34DK5	23	230/460	2.4	79.0	1.15	10.00	S, US
3/4	1800	S56J	103727.00	√	593	C4T17DK13	23	208-230/460	2.8	75.0	1.25	11.00	S, MX
1	3600	S56J	101775.00	√	585	C4T34DK6	29	230/460	3.0	78.0	1.15	11.25	S, US
1	1800	56J	117875.00	√	683	C6T17DK34	24	208-230/460	4.2	78.5	1.15	10.87	S, US
1 1/2	3600	56J	114203.00	√	712	C6T34DK5	32	208-230/460	4.2	81.5	1.15	11.34	S, US
1 1/2	1800	56J	117876.00	√	750	C6T17DK35	33	230/460	5.6	78.5	1.15	11.37	S, US
2	3600	56J	114202.00	√	849	C6T34DK6	36	208-230/460	5.6	82.5	1.15	11.84	S, US
3	3600	56HJ	114201.00	√	1,001	C6T34DK7	41	230/460	7.6	84.0	1.15	12.34	S, US
5	3600	56HJ	116699.00	√	1,098	C6T34DK18	53	230/460	12.4	85.5	1.15	13.68	S, US

♥ Note listing on inside back flap
Specifications are subject to change without notice



Pump Motors

Jet Pump Motors - Three Phase



Threaded Shaft - Totally Enclosed - Three Phase - C Face Less Base

HP	SYN RPM 60 Hz	NEMA Frame	Catalog Number	Stock	List Price	Model Number	App. Wgt. (lbs)	Voltage	F. L. Amps @ 230 V	% FL. EFF.	Service Factor	"C" Dim. (Inches)	♥Notes
1/2	3600	56J	114931.00	√	492	C6T34FC49	23	208-230/460	2.0	72.0	1.15	10.28	S, US
3/4	3600	56J	114208.00	√	543	C6T34FC37	23	208-230/460	2.4	75.5	1.15	10.78	S, US
1	3600	56J	114207.00	√	646	C6T34FC38	24	230/460	3.2	77.0	1.15	10.78	S, US
1 1/2	3600	56J	119453.00	√	772	C6T34FC124	41	230/460	4.0	84.0	1.15	12.66	S, US
2	3600	56J	119455.00	√	973	C6T34FC125	44	208-230/460	4.8	85.5	1.15	13.66	S, US
3	3600	56J	119456.00	√	1,028	C6T34FC126	49	230/460	8.0	86.5	1.15	14.16	S, US

Green items are Premium Efficient

♥ Note listing on inside back flap Specifications are subject to change without notice



Threaded Shaft - Totally Enclosed - Three Phase - C Face With Base

HP	SYN RPM 60 Hz	NEMA Frame	Catalog Number	Stock	List Price	Model Number	App. Wgt. (lbs)	Voltage	F. L. Amps @ 230 V	% FL. EFF.	Service Factor	"C" Dim. (Inches)	♥Notes
3/4	3600	56J	113028.00	√	651	C6T34FK34	26	208-230/460	2.4	75.5	1.15	10.78	S, US
1	3600	56J	113029.00	√	665	C6T34FK35	24	230/460	3.2	77.0	1.15	10.78	S, US
1 1/2	3600	56J	119452.00	√	802	C6T34FK134	35	230/460	4.0	84.0	1.15	12.66	S, US
2	3600	56J	119454.00	√	993	C6T34FK135	46	208-230/460	4.8	85.5	1.15	13.66	S, US
3	3600	56HJ	119457.00	√	1,042	C6T34FK136	46	208-230/460	8.0	86.5	1.15	14.16	S, US

Green items are Premium Efficient

♥ Note listing on inside back flap Specifications are subject to change without notice



Threaded Shaft - Explosion Proof - TEFC/TENV Three Phase - C Face Less Base

HP	SYN RPM 60 Hz	NEMA Frame	Catalog Number	Stock	List Price	Model Number	App. Wgt. (lbs)	Voltage	F. L. Amps @ 230 V	% FL. EFF.	Service Factor	"C" Dim. (Inches)	♥Notes
1/2	3600	56J	116187.00	√	1,177	A6T34EC28	33	208-230/460	1.6	80.0	1.00	12.98	S, US, 12, 47
1	3600	56J	119424.00	√	1,436	A6T34XC49	40	230/460	2.6	80.0	1.00	14.45	S, US, 13
1 1/2	3600	56J	119429.00	√	1,440	A6T34XC50	48	208-230/460	4.0	84.0	1.00	15.45	S, US, 13
2	3600	56J	119434.00	√	1,482	A6T34XC52	50	230/460	5.0	85.5	1.00	16.95	S, US, 13

Green items are Premium Efficient

♥ Note listing on inside back flap Specifications are subject to change without notice

Note 12 - TENV
Note 13 - TEFC





Pump Motors

Washguard® Jet Pump Motors

Wash down duty three phase jet pump motors for industrial service. These motors include all of the features of White Duck™ Washguard motors with the addition of a 56J threaded shaft for use on jet pumps. For demanding pump applications in wet, humid, or washdown environments.



Washguard - Jet Pump - Threaded Shaft Three Phase - TEFC - C Face Less Base

HP	SYN RPM 60 Hz	NEMA Frame	Catalog Number	Stock	List Price	Model Number	App. Wgt. (lbs)	Voltage	F. L. Amps @ 230 V	% F.L. EFF.	Service Factor	"C" Dim. (Inches)	♥Notes
3/4	3600	56J	116774.00	√	824	C6T34WC14	23	208-230/460	2.4	75.5	1.15	11.37	S, US
1	3600	56J	116775.00	√	957	C6T34WC15	35	230/460	3.2	77.0	1.15	11.37	S, US
1 1/2	3600	56J	119459.00	√	1,102	C6T34WC24	44	208-230/460	4.0	84.0	1.15	12.87	S, US
2	3600	56J	119460.00	√	1,370	C6T34WC25	50	208-230/460	4.8	85.5	1.15	13.87	S, US
3	3600	56J	119462.00	√	1,404	C6T34WC26	55	208-230/460	8.0	86.5	1.15	14.37	S, US

Green items are Premium Efficient

♥ Note listing on inside back flap
Specifications are subject to change without notice

Washguard - Jet Pump - Threaded Shaft Three Phase - TEFC - C Face With Base



HP	SYN RPM 60 Hz	NEMA Frame	Catalog Number	Stock	List Price	Model Number	App. Wgt. (lbs)	Voltage	F. L. Amps @ 230 V	% F.L. EFF.	Service Factor	"C" Dim. (Inches)	♥Notes
3/4	3600	56J	116779.00	√	845	C6T34WK12	24	208-230/460	2.4	75.5	1.15	11.37	S, US
1	3600	56J	116780.00	√	983	C6T34WK13	36	208-230/460	3.2	77.0	1.15	11.37	S, US
1 1/2	3600	56J	119458.00	√	1,125	C6T34WK30	45	208-230/460	4.0	84.0	1.15	12.87	S, US
2	3600	56J	119461.00	√	1,390	C6T34WK31	51	208-230/460	4.8	85.5	1.15	13.87	S, US
3	3600	56J	119463.00	√	1,423	C6T34WK32	56	208-230/460	8.0	86.5	1.15	14.37	S, US

Green items are Premium Efficient

♥ Note listing on inside back flap
Specifications are subject to change without notice



- Pump Motors
- Washguard Motors
- Agricultural Duty Motors
- HVAC / Fan Motors
- Special Voltage Motors
- Definite Purpose Motors
- Brake Motors
- IEC Motors
- DC Motors

Pump Motors

Carbonator Pump Motors

Application information:

Used in liquid transfer pumps that you may see in vending machines ideal for compact pump to motor mount applications.

Features:

- Interchangeable with OEM units
- Automatic overload protection
- Ball bearing designs



Single Phase - Drip Proof - Rigid or Resilient Base

HP	SYN RPM 60 Hz	NEMA Frame	Catalog Number	Stock	List Price	Model Number	App. Wgt. (lbs)	Voltage	F.L. Amps	Service Factor	"C" Dim. (Inches)	♥Notes
1/4	1800	48Y	103520.00	√	265	A4S17DR62	14	208-240	2.3-2.4	1.00	7.69	S, MX, 63
1/4	1800	48Y	103530.00	√	255	A4S17DR63	16	115/208-230	4.3-2.2	1.00	8.75	S, MX, 63
1/3	1800	48Y	103521.00	√	259	A4S17DR64	14	100-120/200-240	5.5-5.6/2.7-2.8	1.00	7.69	S, MX, 60
1/3	1800	48Y	103531.00	√	266	A4S17DR65	14	100-120/200-240	5.5-5.6/2.7-2.8	1.00	7.69	S, MX, 63
1/2	1800	48Y	103522.00	√	290	A4S17DR66	17	100-120/200-240	7.1-7.2/3.4-3.6	1.00	8.75	S, MX, 63
3/4	1800	48Y	103523.00	√	378	A4S17DR67	19	115/208-230	10.4/5.2	1.00	9.15	S, MX, 63

Note 60 - Rigid Base
Note 63 - Resilient Base

♥ Note listing on inside back flap
Specifications are subject to change without notice

Pump Motors

JP Pump Motors - Single & Three Phase

Pump Motors

Washguard Motors

Agricultural Duty Motors

HVAC / Fan Motors

Special Voltage Motors

Definite Purpose Motors

Brake Motors

IEC Motors

DC Motors

General Specifications:

For use with close-coupled pumps where the pump impeller is mounted directly on the motor shaft. For outdoor use, an enclosure or drip cover may be preferred.

Features:

- Locked bearing on shaft end limits axial shaft movement.
- Drip cover kits available
- UL recognized and CSA certified



Single Phase - Drip-Proof - C Face With Base

HP	SYN RPM 60 Hz	NEMA Frame	Catalog Number	Stock	List Price	Model Number	App. Wgt. (lbs)	Voltage	F. L. Amps @ 230 V	Service Factor	"C" Dim. (Inches)	♥Notes
5	3600	184JP	131881.00	√	1,712	C184K34DK6	95	230	22.0	1.15	19.38	S, MX
7 1/2	3600	213JP	140646.00	√	2,034	C213K34DK1	121	230	36.5	1.15	22.29	S, MX, 37
10	3600	215JP	140647.00	√	2,743	C215K34DK1	138	230	47.0	1.15	23.79	S, MX, 37

♥ Note listing on inside back flap
Specifications are subject to change without notice

Three Phase - Drip-Proof - C Face With Base & C Face Less Base thru 3 HP

Note: When ordering catalog numbers beginning with GT, use the model number instead of the catalog number.

HP	SYN RPM 60 Hz	NEMA Frame	Catalog Number	Stock	List Price	Model Number	App. Wgt. (lbs)	Voltage	F. L. Amps @ 230 V	% F.L. EFF.	Service Factor	"C" Dim. (Inches)	♥Notes
1	1800	143JP	122093.00	√	662	C143T17DK9	46	230/460	3.0	85.5	1.15	18.18	S, US, 39
1	1800	143JPV*	122094.00	√	662	C143T17DC20	47	230/460	3.0	85.5	1.15	18.48	S, US, 39
1 1/2	3600	143JP	122095.00	√	876	C143T34DK6	46	230/460	3.8	86.5	1.15	17.68	S, US, 39
1 1/2	3600	143JPV*	122096.00	√	807	C143T34DC8	49	230/460	3.8	86.5	1.15	17.98	S, US, 39
1 1/2	1800	145JP	122097.00	√	860	C145T17DK25	48	230/460	4.4	86.5	1.15	18.18	S, US, 39
1 1/2	1800	145JPV*	122098.00	√	792	C145T17DC45	49	230/460	4.4	86.5	1.15	18.48	S, US, 39
2	3600	145JPV*	122099.00	√	825	C145T34DC15	49	230/460	5.6	86.5	1.15	16.48	S, US, 39
2	1800	145JP	122100.00	√	881	C145T17DK26	53	230/460	6.0	86.5	1.15	18.68	S, US, 39
2	1800	145JPV*	122101.00	√	811	C145T17DC46	49	230/460	6.0	86.5	1.15	18.98	S, US, 39
3	3600	145JP	122102.00	√	1,029	C145T34DK18	49	230/460	7.6	87.5	1.15	18.18	S, US, 39
3	3600	145JPV*	122103.00	√	1,029	C145T34DC16	51	230/460	7.6	87.5	1.15	18.48	S, US, 39
3	1800	182JP	199770.00	D	1,174	C182T17DK44	152	230/460	7.6	90.2	1.15	15.35	S, CN
3	1800	182JP	B199770.00	D	1,081	C182T17DK46	152	230/460	8.0	89.5	1.15	17.70	S, CN
3	1800	182JP	GT2410A	√	1,081	182TTDBD6037	80	230/460	8.0	89.5	1.15	17.70	S, MX
3	1800	182JP	GT2510A	√	1,081	182TTDBD6038	81	575	3.2	89.5	1.15	17.70	S, MX
5	3600	182JP	B199097.00	D	1,246	C182T34DK22	145	230/460	12.6	86.5	1.15	17.70	S, CN
5	3600	182JP	GT2412A	√	1,246	182TTDBD6012	NULL	230/460	12.6	86.5	1.15	17.70	S, MX
5	3600	182JP	GT2512A	√	1,246	182TTDBD6013	0	575	5.1	86.5	1.15	17.70	S, MX
5	1800	184JP	B199772.00	D	1,218	C184T17DK46	175	230/460	12.6	89.5	1.15	18.70	S, CN
5	1800	184JP	GT2413A	√	1,218	184TTDBD6037	175	230/460	12.6	89.5	1.15	18.70	S, MX
5	1800	184JP	GT2513A	√	1,218	184TTDBD6038	0	575	5.1	89.5	1.15	18.70	S, MX

JPV frame motors are less base and have drip covers

D - to be discontinued when inventory is depleted

Green items are Premium Efficient

Continued On Next Page

♥ Note listing on inside back flap
Specifications are subject to change without notice



Pump Motors

JP Pump Motors - Three Phase

Three Phase - Drip-Proof - C Face With Base

Note: When ordering catalog numbers beginning with GT, use the model number instead of the catalog number.

	HP	SYN RPM 60 Hz	NEMA Frame	Catalog Number	Stock	List Price	Model Number	App. Wgt. (lbs)	Voltage	F. L. Amps @ 230 V	% FL. EFF.	Service Factor	"C" Dim. (Inches)	Notes
Washguard Motors	7 1/2	3600	184JP	199773.00	D	1,693	C184T34DK28	85	230/460	18.0	88.5	1.15	16.34	S, CN
	7 1/2	3600	184JP	B199773.00	D	1,559	C184T34DK30	85	230/460	17.8	88.5	1.15	18.70	S, CN
	7 1/2	3600	184JP	GT2415A	√	1,559	184TTDBD6012	88	230/460	17.8	88.5	1.15	18.70	S, MX
Washguard Motors	7 1/2	3600	184JP	GT2515A	√	1,559	184TTDBD6013	80	575	7.1	88.5	1.15	18.70	S, MX
	7 1/2	1800	213JP	B199783.00	D	1,989	C213T17DK49	166	230/460	19.8	91.7	1.15	23.11	S, CN
	7 1/2	1800	213JP	GT2416A	√	1,989	213TTDBD6037	153	230/460	19.8	91.7	1.15	23.11	S, MX
Agricultural Duty Motors	7 1/2	1800	213JP	GT2516A	√	1,989	213TTDBD6038	140	575	7.6	91.7	1.15	23.11	S, MX
	10	3600	213JP	199784.00	D	1,873	C213T34DK49	128	230/460	23.0	89.5	1.15	23.17	S, CN
	10	3600	213JP	B199784.00	D	1,873	C213T34DK52	128	230/460	24.3	89.5	1.15	23.11	S, CN
Agricultural Duty Motors	10	3600	213JP	GT2418A	√	1,873	213TTDBD6012	158	230/460	24.3	89.5	1.15	23.11	S, MX
	10	3600	213JP	GT2518A	√	1,873	213TTDBD6013	150	575	9.1	89.5	1.15	23.11	S, MX
	10	1800	215JP	B199785.00	D	2,269	C215T17DK50	157	230/460	25.4	92.4	1.15	23.11	S, CN
HVAC / Fan Motors	10	1800	215JP	GT2419A	√	2,269	215TTDBD6037	153	230/460	25.4	91.7	1.15	23.11	S, MX
	10	1800	215JP	GT2519A	√	2,269	215TTDBD6038	147	575	10.3	91.7	1.15	23.11	S, MX
	15	3600	215JP	B199786.00	D	2,337	C215T34DK51	140	230/460	36.0	90.9	1.15	23.11	S, CN
HVAC / Fan Motors	15	3600	215JP	GT2421A	√	2,337	215TTDBD6012	165	230/460	36.0	91.0	1.15	23.11	S, MX
	15	1800	215JP	GT2521A	√	2,337	215TTDBD6013	150	575	36.0	90.2	1.15	23.11	S, MX
	15	1800	254JP	B199987.00	D	4,190	C254T17DK15	355	230/460	36.5	93.0	1.15	27.32	S, CN
Special Voltage Motors	15	1800	254JP	GT2459	√	4,190	254TTDBD6037	380	230/460	36.5	93.0	1.15	27.32	S, CN
	15	1800	254JP	GT2559	√	4,190	254TTDBD6038	380	575	15.1	93.0	1.15	27.32	S, CN
	20	3600	254JP	199988.00	D	3,620	C254T34DK10	327	230/460	45.0	91.7	1.15	24.41	C, CN
Special Voltage Motors	20	3600	254JP	B199988.00	D	3,620	C254T34DK12	327	230/460	48.0	91.0	1.15	27.32	S, CN
	20	3600	254JP	GT2461	√	3,620	254TTDBD6012	475	230/460	48.0	91.0	1.15	27.32	S, CN
	20	3600	254JP	GT2561	√	3,620	254TTDBD6013	475	575	19.2	91.0	1.15	27.32	S, CN
Special Voltage Motors	20	1800	256JP	199989.00	D	4,352	C256T17DK9	383	230/460	48.0	93.0	1.15	26.00	C, CN
	20	1800	256JP	B199989.00	D	4,352	C256T17DK11	383	230/460	48.5	93.0	1.15	28.90	S, CN
	20	1800	256JP	GT2462	√	4,352	256TTDBD6037	375	230/460	48.5	93.0	1.15	28.90	S, CN
Special Voltage Motors	20	1800	256JP	GT2562	√	4,352	256TTDBD6038	375	575	19.5	93.0	1.15	28.90	S, CN
	25	3600	256JP	199990.00	D	3,865	C256T34DK9	359	230/460	55.0	91.7	1.15	26.00	C, CN
	25	3600	256JP	B199990.00	D	3,865	C256T34DK11	359	230/460	59.5	91.7	1.15	28.90	S, CN
Definite Purpose Motors	25	3600	256JP	GT2464	√	3,865	256TTDBD6012	325	230/460	59.5	91.7	1.15	28.90	S, CN
	25	3600	256JP	GT2564	√	3,865	256TTDBD6013	325	575	23.8	91.7	1.15	28.90	S, CN
	25	1800	284JP	199991.00	D	5,043	C284T17DK7	515	230/460	62.0	93.6	1.15	26.58	C, CN
Definite Purpose Motors	25	1800	284JP	B199991.00	D	5,043	C284T17DK9	500	230/460	62.0	93.6	1.15	29.53	S, CN
	25	1800	284JP	GT2465	√	5,043	284TTDBD6037	500	230/460	62.0	93.6	1.15	29.53	S, CN
	25	1800	284JP	GT2565	√	5,043	284TTDBD6038	500	575	24.8	93.6	1.15	29.53	S, CN
Brake Motors	30	3600	284JP	199992.00	D	4,708	C284T34DK5	497	230/460	66.5	91.7	1.15	26.58	C, CN
	30	3600	284JP	B199992.00	D	4,708	C284T34DK7	472	230/460	71.5	91.7	1.15	29.53	S, CN
	30	3600	284JP	GT2469	√	4,708	284TTDBD6012	472	230/460	71.5	91.7	1.15	29.53	S, CN
Brake Motors	30	3600	284JP	GT2569	√	4,708	284TTDBD6013	472	575	28.6	91.7	1.15	29.53	S, CN
	30	1800	284JP	199993.00	D	5,652	C286T17DK8	554	230/460	74.0	94.1	1.15	27.10	C, CN
	30	1800	286JP	B199993.00	D	5,652	C286T17DK10	489	230/460	72.5	94.1	1.15	30.91	S, CN
Brake Motors	30	1800	286JP	GT2467	√	5,652	286TTDBD6037	489	230/460	72.5	94.1	1.15	30.91	S, CN
	30	1800	286JP	GT2567	√	5,652	286TTDBD6038	489	575	29.0	94.1	1.15	30.91	S, CN
	40	3600	286JP	B199994.00	D	5,101	C286T34DK6	588	230/460	93.0	92.4	1.15	30.91	S, CN
IEC Motors	40	3600	286JP	GT2472	√	5,101	286TTDBD6012	588	230/460	93.0	92.4	1.15	30.91	S, CN
	40	3600	286JP	GT2572	√	5,101	286TTDBD6013	588	575	37.5	92.4	1.15	30.91	S, CN
	40	1800	286JP	199995.00	D	6,565	C324T17DK13	655	230/460	95.0	94.5	1.15	28.95	C, CN
IEC Motors	40	1800	324JP	B199995.00	D	6,565	C324T17DK14	649	230/460	95.5	94.1	1.15	31.82	S, CN
	40	1800	324JP	GT2473	√	6,565	324TTDBD6037	649	230/460	95.5	94.5	1.15	31.82	S, CN
	40	1800	324JP	GT2573	√	6,565	324TTDBD6038	649	575	38.5	94.5	1.15	31.82	S, CN
DC Motors	50	3600	324JP	199996.00	D	6,196	C324T34DK5	661	230/460	114	94.1	1.15	28.95	C, CN
	50	3600	324JP	B199996.00	D	6,196	C324T34DK6	676	230/460	115	93.0	1.15	31.82	S, CN
	50	3600	324JP	GT2476	√	6,196	324TTDBD6012	676	230/460	115	93.0	1.15	31.82	S, CN
DC Motors	50	3600	324JP	GT2576	√	6,196	324TTDBD6013	676	575	46.0	93.0	1.15	31.82	S, CN
	50	1800	326JP	B199997.00	D	6,906	C326T17DK8	700	230/460	118	94.5	1.15	33.00	S, CN
	50	1800	326JP	GT2477	√	6,906	326TTDBD6037	700	230/460	118	94.5	1.15	33.00	S, CN
50	1800	326JP	GT2577	√	6,906	326TTDBD6038	700	575	47.0	94.5	1.15	33.00	S, CN	

Shaded model numbers are cast iron frame

♥ Note listing on inside back flap
Specifications are subject to change without notice

Green items are Premium Efficient

D - Item to be discontinued once inventory is depleted



Pump Motors

JM Pump Motors - Single Phase

General Specifications:

Designed for continuous duty service on close-coupled pumps using NEMA® JM mounting provisions.

Features:

- Cooling air exhausts at shaft end for maximum cooling
- Locked bearing shaft end
- Drip-cover kits available

Electrical Features:

- High efficiency copper windings
- UL and CSA recognized designs
- Single phase designs are capacitor start/induction run unless indicated otherwise



Single Phase - Drip-Proof - C Face With Base

HP	SYN RPM 60 Hz	NEMA Frame	Catalog Number	Stock	List Price	Model Number	App. Wgt. (lbs)	Voltage	F. L. Amps @ 230 V	Service Factor	"C" Dim. (Inches)	Notes
1	1800	143JM	120996.00	√	1,013	C143C17DK1	42	115/208-230	6.4	1.15	13.91	S, US, 38
1 1/2	1800	145JM	120994.00	√	1,022	C145K17DK8	48	115/208-230	8.6	1.15	14.91	S, US, 38, 53
2	3600	145JM	121190.00	√	1,045	C145C34DK3	47	115/208-230	10.5	1.15	14.91	S, US, 38
2	1800	145JM	120995.00	√	1,024	C145K17DK9	47	115/208-230	10.5	1.15	15.41	S, US, 38, 53
2	1800	182JM	132073.00	√	1,070	C182C17DK3	70	115/230	12.4	1.15	14.82	S, MX, 45
3	3600	182JM	131640.00	√	1,237	C182K34DK1	72	115/208-230	14.0	1.15	15.82	S, MX, 45, 53
3	1800	182JM	131604.00	√	1,422	C182C17DK2	76	115/230	16.9	1.15	15.82	S, MX, 45
5	3600	184JM	131641.00	√	1,760	C184K34DK3	95	208-230	22.0	1.15	16.32	S, MX, 45, 53
5	1800	184JM	131605.00	√	2,021	C184K17DK14	87	208-230	21.0	1.15	16.32	S, MX, 45, 53
7 1/2	3600	213JM	140642.00	√	2,501	C213K34DK2	109	230	37.0	1.15	18.42	S, MX, 37, 53
7 1/2	1800	215JM	140665.00	√	2,664	C215K17DK1	119	230	36.0	1.15	18.38	S, MX, 37, 53
10	3600	215JM	140644.00	√	2,817	C215K34DK2	135	230	47.0	1.15	19.92	S, MX, 37, 53
10	1800	215JM	140666.00	D	3,296	C215K17DK2	147	230	43.0	1.15	19.88	S, MX, 37, 53
10	1800	215JM	141431.00	C/A	3,296	C215K17DK11	147	230	39.0	1.15	21.17	S, MX, 37, 53

C/A - Check Availability

D - to be discontinued when inventory is depleted

♥ Note listing on inside back flap
Specifications are subject to change without notice

Single Phase - TEFC - C Face With Base

HP	SYN RPM 60 Hz	NEMA Frame	Catalog Number	Stock	List Price	Model Number	App. Wgt. (lbs)	Voltage	F. L. Amps @ 230 V	Service Factor	"C" Dim. (Inches)	Notes
3	3600	182JM	132457.00	√	1,505	C182K34FC2	82	230	14.0	1.15	18.59	S, MX *
5	3600	184JM	132458.00	√	1,591	C184K34FK6	95	230	19.8	1.00	18.59	S, MX
7 1/2	3600	213JM	141281.00	√	1,877	C213F34FK2	133	230	32.0	1.00	20.59	S, MX
10	3600	215JM	141282.00	√	2,179	C215K34FK3	156	230	41.5	1.15	22.09	S, MX

* C Face less Base Design

♥ Note listing on inside back flap
Specifications are subject to change without notice



Pump Motors

JM Pump Motors - ODP - Three Phase

Three Phase - Drip-Proof - C Face With Base

Note: When ordering catalog numbers beginning with GT, use the model number instead of the catalog number.

HP	SYN RPM 60 Hz	NEMA Frame	Catalog Number	Stock	List Price	Model Number	App. Wgt. (lbs)	Voltage	F. L. Amps @ 230 V	% F.L. EFF.	Service Factor	"C" Dim. (Inches)	♥Notes
1	1800	143JM	122115.00	√	830	C143T17DK8	46	230/460	3.0	85.5	1.15	15.12	S, US, 39
1	1800	143JMV*	122073.00	√	902	C143T17DC17	44	230/460	3.0	85.5	1.15	15.42	S, US, 39
1 1/2	3600	143JM	122074.00	√	991	C143T34DK4	38	230/460	3.8	84.0	1.15	14.62	S, US, 39
1 1/2	3600	143JMV*	122075.00	√	913	C143T34DC6	45	230/460	3.8	86.5	1.15	14.92	S, US
1 1/2	1800	143JM	122076.00	√	894	C143T17DK7	48	230/460	4.4	86.5	1.15	15.12	S, US, 39
1 1/2	1800	143JMV*	122077.00	√	971	C143T17DC18	46	230/460	4.4	86.5	1.15	15.42	S, US
2	3600	145JM	122078.00	√	1,040	C143T34DK5	33	230/460	5.6	85.5	1.15	13.12	S, US, 39
2	3600	145JMV*	122079.00	√	1,040	C143T34DC7	33	230/460	5.6	85.5	1.15	13.42	S, US
2	1800	145JM	122329.00	√	1,007	C145T17DK19	49	230/460	6.0	86.5	1.15	15.12	S, US, 39
2	1800	145JMV*	122080.00	√	1,007	C143T17DC19	49	230/460	6.0	86.5	1.15	15.92	S, US
3	3600	145JM	122081.00	√	1,151	C145T34DK17	50	230/460	7.2	86.5	1.15	15.50	S, US, 38
3	3600	145JMV*	122082.00	√	1,250	C145T34DC14	47	230/460	7.2	86.5	1.15	13.62	S, US
3	1800	182JM	199589.00	D	1,331	C182T17DK43	79	230/460	7.6	89.5	1.15	15.35	S, CN
3	1800	182JM	B199589.00	D	1,225	C182T17DK45	79	230/460	8.0	89.5	1.15	14.64	S, CN
3	1800	182JM	GT0410A	√	1,225	182TTDBD6032	92	230/460	8.0	89.5	1.15	14.64	S, MX
5	3600	182JM	199763.00	D	1,592	C182T34DK20	73	230/460	12.4	86.5	1.15	15.35	S, CN
5	3600	182JM	B199763.00	D	1,466	C182T34DK21	73	230/460	12.6	86.5	1.15	14.64	S, CN
5	3600	182JM	GT0412A	√	1,466	182TTDBD6007	164	230/460	12.6	86.5	1.15	14.64	S, MX
5	1800	184JM	199590.00	D	1,384	C184T17DK43	100	230/460	12.4	89.5	1.15	16.34	S, CN
5	1800	184JM	B199590.00	D	1,384	C184T17DK45	100	230/460	12.6	89.5	1.15	15.64	S, CN
5	1800	184JM	GT0413A	√	1,384	184TTDBD6032	175	230/460	12.6	89.5	1.15	15.64	S, MX
7 1/2	3600	184JM	199765.00	D	1,716	C184T34DK27	87	230/460	17.2	88.5	1.15	16.34	S, CN
7 1/2	3600	184JM	B199765.00	D	1,580	C184T34DK29	87	230/460	17.8	88.5	1.15	15.64	S, CN
7 1/2	3600	184JM	GT0415A	√	1,580	184TTDBD6007	88	230/460	17.8	88.5	1.15	15.64	S, MX
7 1/2	1800	213JM	199775.00	D	1,811	C213T17DK46	127	230/460	18.6	91.0	1.15	17.68	S, CN
7 1/2	1800	213JM	B199775.00	D	1,811	C213T17DK48	127	230/460	19.8	91.0	1.15	19.22	S, CN
7 1/2	1800	213JM	GT0416A	√	1,811	213TTDBD6032	136	230/460	19.8	91.7	1.15	19.22	S, MX
10	3600	213JM	B199090.00	D	2,024	C213T34DK51	121	230/460	24.3	89.5	1.15	19.22	S, CN
10	3600	213JM	GT0418A	√	2,024	213TTDBD6007	180	230/460	24.3	89.5	1.15	19.22	S, MX
10	1800	215JM	199777.00	D	2,046	C215T17DK46	149	230/460	25.6	91.7	1.15	19.17	S, CN
10	1800	215JM	B199777.00	D	2,046	C215T17DK49	149	230/460	25.4	91.7	1.15	19.22	S, CN
10	1800	215JM	GT0419A	√	2,046	215TTDBD6032	185	230/460	25.4	92.4	1.15	19.22	S, MX
15	3600	215JM	B199091.00	D	2,678	C215T34DK50	134	230/460	36.0	90.2	1.15	19.22	S, CN
15	3600	215JM	GT0421A	√	2,675	215TTDBD6007	135	230/460	36.0	90.9	1.15	19.22	S, MX
15	1800	254JM	199964.00	D	2,942	C254T17DK12	353	230/460	36.5	93.0	1.15	24.41	C, CN
15	1800	254JM	B199964.00	D	2,942	C254T17DK15	353	230/460	36.5	93.0	1.15	24.41	S, CN
15	1800	254JM	GT0459	√	2,942	254TTDBD6032	287	230/460	36.5	93.0	1.15	24.41	S, MX

Continued On Next Page

Shaded model numbers are cast iron frame

Green items are Premium Efficient

D - Item to be discontinued once inventory is depleted 8

* JMV frame motors are less base and have a drip cover

♥ Note listing on inside back flap
Specifications are subject to change without notice



Three Phase - Drip-Proof - C Face With Base

Note: When ordering catalog numbers beginning with GT, use the model number instead of the catalog number.

HP	SYN RPM 60 Hz	NEMA Frame	Catalog Number	Stock	List Price	Model Number	App. Wgt. (lbs)	Voltage	F. L. Amps @ 230 V	% F.L. EFF.	Service Factor	"C" Dim. (Inches)	♥Notes
20	3600	254JM	199965.00	D	3,620	C254T34DK9	320	230/460	45.0	91.0	1.15	24.41	C, CN
20	3600	254JM	B199965.00	D	3,620	C254T34DK12A	320	230/460	48.0	91.0	1.15	24.41	S, CN
20	3600	254JM	GT0461	✓	3,620	254TTDBD6007	275	230/460	48.0	91.0	1.15	24.41	S, CN
20	3600	254JM	GT0561	✓	3,620	254TTDBD6008	284	575	19.2	91.0	1.15	24.41	S, CN
20	1800	256JM	199966.00	D	4,360	C256T17DK8	382	230/460	48.0	91.0	1.15	24.41	C, CN
20	1800	256JM	B199966.00	D	4,360	C256T17DK12	382	230/460	48.5	91.0	1.15	25.99	S, CN
20	1800	256JM	GT0462	✓	4,360	256TTDBD6032	311	230/460	48.5	93.0	1.15	25.99	S, CN
20	1800	256JM	GT0562	✓	4,360	256TTDBD6033	290	575	19.5	93.0	1.15	25.99	S, CN
25	3600	256JM	199967.00	D	4,397	C256T34DK8	357	230/460	55.0	91.7	1.15	26.00	C, CN
25	3600	256JM	B199967.00	D	4,397	C256T34DK11	357	230/460	59.5	91.7	1.15	25.99	S, CN
25	3600	256JM	GT0464	✓	4,397	256TTDBD6007	291	230/460	59.5	91.7	1.15	25.99	S, CN
25	3600	256JM	GT0564	✓	4,397	256TTDBD6008	302	575	23.8	91.7	1.15	25.99	S, CN
25	1800	284JM	199968.00	D	5,042	C284T17DK6	502	230/460	62.0	93.6	1.15	26.58	C, CN
25	1800	284JM	B199968.00	D	5,042	C284T17DK9	388	230/460	62.0	93.6	1.15	26.58	S, CN
25	1800	284JM	GT0465	✓	5,042	284TTDBD6032	388	230/460	62.0	93.6	1.15	26.58	S, CN
25	1800	284JM	GT0565	✓	5,042	284TTDBD6033	423	575	24.8	93.6	1.15	26.58	S, CN
30	3600	284JM	199969.00	D	5,097	C284T34DK4	486	230/460	66.5	91.7	1.15	26.58	C, CN
30	3600	284JM	B199969.00	D	5,097	C284T34DK7A	486	230/460	71.5	91.7	1.15	26.58	S, CN
30	3600	284JM	GT0469	✓	5,097	284TTDBD6007	486	230/460	71.5	91.7	1.15	26.58	S, CN
30	3600	284JM	GT0569	✓	5,097	284TTDBD6008	357	575	28.6	91.7	1.15	26.58	S, CN
30	1800	286JM	199970.00	D	5,651	C286T17DK7	545	230/460	74.0	94.1	1.15	27.10	C, CN
30	1800	286JM	B199970.00	D	5,651	C286T17DK10A	545	230/460	72.5	94.1	1.15	27.09	S, CN
30	1800	286JM	GT0467	✓	5,651	286TTDBD6032	545	230/460	72.5	94.1	1.15	27.09	S, CN
30	1800	286JM	GT0567	✓	5,651	286TTDBD6033	545	575	29.0	94.1	1.15	27.09	S, CN
40	3600	286JM	B199971.00	D	5,724	C286T34DK6A	465	230/460	93.0	92.4	1.15	27.09	S, CN
40	3600	286JM	GT0472	✓	5,724	286TTDBD6007	465	230/460	93.0	92.4	1.15	27.09	S, CN
40	3600	286JM	GT0572	✓	5,724	286TTDBD6008	462	575	37.5	92.4	1.15	27.09	S, CN
40	1800	324JM	199972.00	D	6,565	C324T17DK12	659	230/460	95.0	94.1	1.15	28.95	C, CN
40	1800	324JM	B199972.00	D	6,565	C324T17DK14A	554	230/460	95.5	94.1	1.15	28.94	S, CN
40	1800	324JM	GT0473	✓	6,565	324TTDBD6032	554	230/460	95.5	94.1	1.15	28.94	S, CN
40	1800	324JM	GT0573	✓	6,565	324TTDBD6033	552	575	38.5	94.1	1.15	28.94	S, CN
50	3600	324JM	B199973.00	D	6,873	C324T34DK6A	657	230/460	115.0	93.0	1.15	28.94	S, CN
50	3600	324JM	GT0476	✓	6,873	324TTDBD6007	680	230/460	115.0	93.0	1.15	28.94	S, CN
50	3600	324JM	GT0576	✓	6,873	324TTDBD6008	657	575	46.0	93.0	1.15	28.94	S, CN
50	1800	326JM	199974.00	D	7,000	C326T17DK6	697	230/460	118.0	94.5	1.15	30.12	C, CN
50	1800	326JM	B199974.00	D	7,000	C326T17DK8A	608	230/460	118.0	94.5	1.15	30.12	S, CN
50	1800	326JM	GT0477	✓	7,000	326TTDBD6032	608	230/460	118.0	94.5	1.15	30.12	S, CN
50	1800	326JM	GT0577	✓	7,000	326TTDBD6033	604	575	47.0	94.5	1.15	30.12	S, CN

Shaded model numbers are cast iron frame

♥ Note listing on inside back flap
Specifications are subject to change without notice

Green items are Premium Efficient

D - Item to be discontinued once inventory is depleted

Drip-Cover Kits For JM Pump Motors

Frame	Catalog Number	List Price	Enclosure	♥ Notes
143-145JM	175004.00	66	ODP	38
143-145JM	175932.00	36	ODP	39
213-215JM	175305.00	116	ODP	37
213-215JM	175846.00	116	ODP	41
213-215JM ‡	175962.00	116	ODP	43
254-256JM ‡	175963.00	148	ODP	44
182-184JM	175614.00	82	ODP	45

For use with motors having notes for Drip Cover kits



Pump Motors

JM Pump Motors - TEFC - Three Phase

General Specifications:

Designed for continuous duty service on close coupled pumps using NEMA® JM mounting provisions. All motors have NEMA JM pump shaft and face mount.



Features:

- Oversized locked bearing on shaft end limits axial movement.
- Drip covers are available as accessory kits for 143-145JM and 182-184JM motors- see letter designation in table for correct kit.
- Some 182-184JM frame motors have enclosed endshields as standard with frame vents meeting the 12° drip-proof requirement. No drip cover is needed, or shown in table for these motors.
- JMV frame (includes drip cover as noted) for vertical mount without base.
- JM frame has rigid base, drip cover not included.
- GT catalog numbers are Globetrotter dual branded motors

Three Phase - TEFC - C Face With Base

Note: When ordering catalog numbers beginning with GT, use the model number instead of the catalog number.

HP	SYN RPM 60 Hz	NEMA Frame	Catalog Number	Stock	List Price	Model Number	App. Wgt. (lbs)	Voltage	F. L. Amps @ 230 V	% FL. EFF.	Service Factor	"C" Dim. (Inches)	Notes
1	1800	143JM	122083.00	√	899	C143T17FK27	59	230/460	3.2	85.5	1.15	15.42	S, US
1	1800	143JMV*	122084.00	√	899	C143T17FC39	57	230/460	3.3	85.5	1.15	16.79	S, US
1 1/2	3600	143JM	122085.00	√	928	C143T34FK17	63	230/460	4.0	84.0	1.15	15.50	S, US
1 1/2	3600	143JMV*	122086.00	√	928	C143T34FC20	61	230/460	4.0	84.0	1.15	15.49	S, US
1 1/2	1800	145JM	122087.00	√	982	C145T17FK71	68	230/460	4.8	86.5	1.15	15.92	S, US
1 1/2	1800	145JMV*	122088.00	√	982	C145T17FC121	66	230/460	4.6	86.5	1.15	17.29	S, US
2	3600	145JM	122089.00	√	1,113	C145T34FK45	71	230/460	5.0	85.5	1.15	16.50	S, US
2	3600	145JMV*	122090.00	√	1,113	C145T34FC42	69	230/460	5.0	85.5	1.15	17.29	S, US
2	1800	145JM	122091.00	√	981	C145T17FK72	76	230/460	5.8	86.5	1.15	16.42	S, US
2	1800	145JMV*	122092.00	√	981	C145T17FC122	74	230/460	6.0	86.5	1.15	17.79	S, US
3	3600	182JM	199766.00	D	1,247	C182T34FK43	83	230/460	7.6	86.5	1.15	17.51	S, CN
3	3600	182JM	B199766.00	D	1,148	D182T34FK44	84	230/460	8.0	86.5	1.15	17.40	S, CN
3	3600	182JM	GT3109A	√	1,148	182TTFBD6006	126	230/460	8.0	86.5	1.15	17.40	S, MX
3	3600	182JM	GT3209A	√	1,148	182TTFBD6008	0	575	3.2	86.5	1.15	17.40	S, MX
3	1800	182JM	199767.00	D	1,177	C182T17FK48	87	230/460	7.8	89.5	1.15	17.51	S, CN
3	1800	182JM	B199767.00	D	1,177	D182T17FK51	95	230/460	8.0	89.5	1.15	17.40	S, CN
3	1800	182JM	GT3110A	√	1,177	182TTFBD6031	146	230/460	8.0	89.5	1.15	17.40	S, MX
3	1800	182JM	GT3210A	√	1,177	182TTFBD6033	146	575	3.2	89.5	1.15	17.40	S, MX
5	3600	184JM	B199768.00	D	1,600	D184T34FK56	98	230/460	12.0	88.5	1.15	18.40	S, CN
5	3600	184JM	GT3112A	√	1,600	184TTFBD6006	90	230/460	12.0	88.5	1.15	18.40	S, MX
5	3600	184JM	GT3212A	√	1,600	184TTFBD6008	90	575	4.8	88.5	1.15	18.40	S, MX
5	1800	184JM	199769.00	D	1,557	C184T17FK49	110	230/460	12.4	89.5	1.15	18.36	S, CN
5	1800	184JM	B199769.00	D	1,557	D184T17FK55	114	230/460	13.0	89.5	1.15	18.40	S, CN
5	1800	184JM	GT3113A	√	1,557	184TTFBD6031	114	230/460	13.0	89.5	1.15	18.40	S, MX
5	1800	184JM	GT3213A	√	1,557	184TTFBD6033	114	575	5.2	89.5	1.15	18.40	S, MX
7 1/2	3600	184JM	B194323.00	D	1,906	C184T34FK58A	144	230/460	17.6	89.5	1.15	18.40	S, CN
7 1/2	3600	213JM	B199779.00	D	1,906	C213T34FK47	144	230/460	18.4	90.3	1.15	20.27	S, CN
7 1/2	3600	213JM	GT3115A	√	1,906	213TTFBD6006	140	230/460	18.4	90.3	1.15	20.27	S, MX
7 1/2	3600	213JM	GT3215A	√	1,906	213TTFBD6008	133	575	7.4	90.3	1.15	20.27	S, MX
7 1/2	1800	213JM	B199780.00	D	2,125	C213T17FK49	163	230/460	19.0	93.3	1.15	20.27	S, CN
7 1/2	1800	213JM	GT3116A	√	2,125	213TTFBD6031	160	230/460	19.0	93.3	1.15	20.27	S, MX
7 1/2	1800	213JM	GT3216A	√	2,125	213TTFBD6033	162	575	7.6	93.3	1.15	20.27	S, MX

Green items are Premium Efficient

D - Item to be discontinued once inventory is depleted
 *JMV frame motors are less base and have a drip cover

Continued On Next Page

♥ Note listing on inside back flap
 Specifications are subject to change without notice



Three Phase - TEFC - C Face With Base

Note: When ordering catalog numbers beginning with GT, use the model number instead of the catalog number.

HP	SYN RPM 60 Hz	NEMA Frame	Catalog Number	Stock	List Price	Model Number	App. Wgt. (lbs)	Voltage	F. L. Amps @ 230 V	% FL. EFF.	Service Factor	"C" Dim. (Inches)	♥Notes
10	3600	215JM	B199781.00	D	2,433	C215T34FK49	164	230/460	23.6	90.2	1.15	21.85	S, CN
10	3600	215JM	GT3118A	√	2,433	215TTFBD6006	170	230/460	23.6	90.2	1.15	21.85	S, MX
10	3600	215JM	GT3218A	√	2,433	215TTFBD6008	163	575	9.5	90.2	1.15	21.85	S, MX
10	1800	215JM	B199782.00	D	2,619	C215T17FK51	177	230/460	25.0	92.1	1.15	21.85	S, CN
10	1800	215JM	GT3119A	√	2,619	215TTFBD6031	185	230/460	25.0	92.1	1.15	21.85	S, MX
10	1800	215JM	GT3219A	√	2,619	215TTFBD6033	171	575	10.0	92.1	1.15	21.85	S, MX
15	3600	215JM	B194322.00	D	2,833	C215T34FK52	185	230/460	35.0	91.0	1.15	21.85	S, CN
15	3600	254JM	199975.00	D	3,736	C254T34FK15	343	230/460	34.0	91.0	1.15	26.60	C, CN
15	3600	254JM	B199975.00	D	3,736	D254T34FK17	295	230/460	35.5	91.0	1.15	26.15	C, CN
15	3600	254JM	GT3121A	√	3,736	254TTFCD6006	295	230/460	35.5	91.0	1.15	26.15	C, MX
15	3600	254JM	GT3221A	√	3,736	254TTFCD6008	295	575	14.3	91.0	1.15	26.15	C, MX
15	1800	254JM	B199976.00	D	3,782	D254T17FK18	309	230/460	37.5	92.4	1.15	26.15	C, CN
15	1800	254JM	GT3122A	√	3,782	254TTFCD6031	309	230/460	37.5	92.4	1.15	26.15	C, MX
15	1800	254JM	GT3222A	√	3,782	254TTFCD6033	309	575	15.1	92.4	1.15	26.15	C, MX
20	3600	256JM	199977.00	D	4,064	C256T34FK11	382	230/460	45.0	91.0	1.15	27.80	C, CN
20	3600	256JM	B199977.00	D	4,064	D256T34FK13	312	230/460	47.5	91.0	1.15	27.89	C, CN
20	3600	256JM	GT3124A	√	4,064	256TTFCD6006	312	230/460	47.5	91.0	1.15	27.89	C, MX
20	3600	256JM	GT3224A	√	4,064	256TTFCD6008	312	575	19.0	91.0	1.15	27.89	C, MX
20	1800	256JM	B199978.00	D	4,749	D256T17FK18	360	230/460	48.5	93.0	1.15	27.89	C, CN
20	1800	256JM	GT3125A	√	4,749	256TTFCD6031	360	230/460	48.5	93.0	1.15	27.89	C, MX
20	1800	256JM	GT3225A	√	4,749	256TTFCD6033	360	575	19.4	93.0	1.15	27.89	C, MX
25	3600	284JM	B199979.00	D	4,842	D284T34FK14	490	230/460	60.0	93.6	1.15	27.52	C, CN
25	3600	284JM	GT3127A	√	4,842	284TTFCD6006	403	230/460	60.0	91.7	1.15	27.52	C, MX
25	3600	284JM	GT3227A	√	4,842	284TTFCD6008	405	575	24.0	91.7	1.15	27.52	C, MX
25	1800	284JM	199980.00	D	5,364	C284T17FK14	527	230/460	62.0	93.6	1.15	30.92	C, CN
25	1800	284JM	B199980.00	D	5,364	D284T17FK15	527	230/460	61.0	93.6	1.15	27.52	C, CN
25	1800	284JM	GT3128A	√	5,364	284TTFCD6032	462	230/460	61.0	93.6	1.15	27.52	C, MX
25	1800	284JM	GT3228A	√	5,364	284TTFCD6033	404	575	24.3	93.6	1.15	27.52	C, MX
30	3600	286JM	199981.00	D	5,125	C286T34FK19	529	230/460	66.0	91.7	1.15	32.10	C, CN
30	3600	286JM	B199981.00	D	5,125	D286T34FK20	529	230/460	71.0	91.7	1.15	29.02	C, CN
30	3600	286JM	GT3130A	√	5,125	286TTFCD6006	500	230/460	71.0	91.7	1.15	29.02	C, MX
30	3600	286JM	GT3230A	√	5,125	286TTFCD6008	540	575	28.5	91.7	1.15	29.02	C, MX
30	1800	286JM	199982.00	D	5,614	C286T17FK14	564	230/460	73.0	93.6	1.15	32.10	C, CN
30	1800	286JM	B199982.00	D	5,614	D286T17FK17	564	230/460	72.5	93.6	1.15	29.02	C, CN
30	1800	286JM	GT3131A	√	5,614	286TTFCD6032	500	230/460	72.5	93.6	1.15	29.02	C, MX
30	1800	286JM	GT3231A	√	5,614	286TTFCD6033	500	575	29.1	93.6	1.15	29.02	C, MX
40	3600	324JM	199983.00	D	6,639	C324T34FK11	642	230/460	88.0	92.4	1.15	32.93	C, CN
40	3600	324JM	B199983.00	D	6,639	D324T34FK13	643	230/460	92.5	92.4	1.15	29.95	C, CN
40	3600	324JM	GT3133A	√	6,639	324TTFCD6007	643	230/460	92.5	92.4	1.15	29.95	C, MX
40	3600	324JM	GT3233A	√	6,639	324TTFCD6008	643	575	37.0	92.4	1.15	29.95	C, MX
40	1800	324JM	199984.00	D	6,762	C324T17FK15	683	230/460	94.0	94.1	1.15	32.93	C, CN
40	1800	324JM	B199984.00	D	6,762	D324T17FK17	647	230/460	95.0	94.1	1.15	29.95	C, CN
40	1800	324JM	GT3134A	√	6,762	324TTFCD6031	647	230/460	95.0	94.1	1.15	29.95	C, MX
40	1800	324JM	GT3234A	√	6,762	324TTFCD6033	647	575	38.0	94.1	1.15	29.95	C, MX
50	3600	326JM	B199985.00	D	7,049	D326T34FK10	732	230/460	113.0	93.0	1.15	34.11	C, CN
50	3600	326JM	GT3136A	√	7,049	326TTFCD6007	732	230/460	113.0	93.0	1.15	34.11	C, MX
50	3600	326JM	GT3236A	√	7,049	326TTFCD6008	732	575	45.0	93.0	1.15	34.11	C, MX
50	1800	326JM	199986.00	D	7,972	C326T17FK11	732	230/460	119.0	94.5	1.15	34.11	C, CN
50	1800	326JM	B199986.00	D	7,972	D326T17FK13	698	230/460	117.0	94.5	1.15	34.11	C, CN
50	1800	326JM	GT3137A	√	7,942	326TTFCD6031	698	230/460	117.0	94.5	1.15	34.11	C, MX
50	1800	326JM	GT3237A	√	7,942	326TTFCD6033	698	575	47.0	94.5	1.15	34.11	C, MX

Shaded model numbers are cast iron frame

Green items are Premium Efficient

D - Item to be discontinued once inventory is depleted
 JMV frame motors are less base and have a drip cover

♥ Note listing on inside back flap
 Specifications are subject to change without notice



Pump Motors

JP Pump Motors - TEFC - Three Phase

General Specifications:

For use with close-coupled pumps having NEMA® JP mounting and shaft dimensions. Used in applications where the pump impeller is mounted directly on the motor shaft. Designed for continuous duty service.



- JPV frame (includes drip cover as noted) for vertical mount without base
- JP frame has rigid base, drip cover not included
- Class F insulation
- GT catalog numbers are Globetrotter dual branded motors

TEFC JP Pump Motors - C Face With Base

Note: When ordering catalog numbers beginning with GT, use the model number instead of the catalog number.

HP	SYN RPM 60 Hz	NEMA Frame	Catalog Number	Stock	List Price	Model Number	App. Wgt. (lbs)	Voltage	F. L. Amps @ 230 V	% FL. EFF.	Service Factor	"C" Dim. (Inches)	♥Notes
1	1800	143JP	122105.00	✓	1,014	C143T17FK28	59	230/460	3.3	85.5	1.15	19.13	S, US
1	1800	143JPV*	122106.00	✓	934	C143T17FC40	57	230/460	3.3	85.5	1.15	19.85	S, US
1 1/2	3600	143JP	122107.00	✓	964	C143T34FK18	63	230/460	4.0	84.0	1.15	18.63	S, US
1 1/2	3600	143JPV*	122108.00	✓	964	C143T34FC21	61	230/460	4.0	84.0	1.15	19.35	S, US
1 1/2	1800	145JP	G151736.60	D	723	C145T17FK60	54	230/460	4.5	85.5	1.15	18.66	C, CN
1 1/2	1800	145JP	122109.00	✓	1,024	C145T17FK73	68	230/460	4.6	86.5	1.15	19.63	S, US
1 1/2	1800	145JPV*	122110.00	✓	1,024	C145T17FC123	66	230/460	4.6	86.5	1.15	20.35	S, US
2	3600	145JP	122111.00	✓	1,160	C145T34FK46	71	230/460	5.0	85.5	1.15	19.63	S, US
2	3600	145JPV*	122112.00	✓	1,160	C145T34FC43	69	230/460	5.0	85.5	1.15	20.35	S, US
2	1800	145JP	G151737.60	D	746	C145T17FK61	57	230/460	6.0	85.5	1.15	18.66	C, CN
2	1800	145JP	122113.00	✓	1,034	C145T17FK74	76	230/460	6.0	86.5	1.15	20.13	S, US
2	1800	145JP	122114.00	✓	1,122	C145T17FC124	74	230/460	6.0	86.5	1.15	20.85	S, US
3	3600	182JP	G151738.60	D	1,354	C182T34FK12	91	230/460	7.4	85.5	1.15	20.71	C, CN
3	3600	182JP	199092.00	D	1,692	C182T34FK42	145	230/460	7.6	86.5	1.15	19.07	S, CN
3	3600	182JP	B199092.00	D	1,558	D182T34FK45	126	230/460	8.0	86.5	1.15	20.44	S, CN
3	3600	182JP	GT3409A	✓	1,558	182TTFBD6012	126	230/460	8.0	86.5	1.15	20.44	S, MX
3	3600	182JP	GT3509A	✓	1,558	182TTFBD6013	126	575	3.2	86.5	1.15	20.44	S, MX
3	1800	182JP	199093.00	D	1,565	C182T17FK47	142	230/460	7.8	89.5	1.15	19.07	S, CN
3	1800	182JP	B199093.00	D	1,441	D182T17FK52	142	230/460	8.0	89.5	1.15	20.44	S, CN
3	1800	182JP	GT3410A	✓	1,441	182TTFBD6037	142	230/460	8.0	89.5	1.15	20.44	S, MX
3	1800	182JP	GT3510A	✓	1,441	182TTFBD6038	142	575	3.2	89.5	1.15	20.44	S, MX
5	3600	184JP	B199094.00	D	1,639	D184T34FK57	100	230/460	12.0	88.5	1.15	21.44	S, CN
5	3600	184JP	GT3412A	✓	1,639	184TTFBD6012	100	230/460	12.0	88.5	1.15	21.44	S, MX
5	3600	184JP	GT3512A	✓	1,639	184TTFBD6013	100	575	4.8	88.5	1.15	21.44	S, MX
5	1800	184JP	199095.00	D	1,789	C184T17FK48	114	230/460	12.4	89.5	1.15	20.05	S, CN
5	1800	184JP	B199095.00	D	1,648	D184T17FK56	114	230/460	13.0	89.5	1.15	21.44	S, CN
5	1800	184JP	GT3413A	✓	1,648	184TTFBD6037	97	230/460	13.0	89.5	1.15	21.44	S, MX
5	1800	184JP	GT3513A	✓	1,648	184TTFBD6038	96	575	5.2	89.5	1.15	21.44	S, MX
7 1/2	3600	213JP	199096.00	D	2,005	C213T34FK44	152	230/460	17.8	88.5	1.15	24.54	S, CN
7 1/2	3600	213JP	B199096.00	D	2,005	C213T34FK48	152	230/460	18.4	88.5	1.15	24.01	S, CN
7 1/2	3600	213JP	GT3415A	✓	2,005	213TTFBD6012	180	230/460	18.4	90.3	1.15	24.01	S, MX
7 1/2	3600	213JP	GT3515A	✓	2,005	213TTFBD6013	165	575	7.4	90.3	1.15	24.01	S, MX
7 1/2	1800	213JP	199787.00	D	2,090	C213T17FK47	170	230/460	18.6	89.5	1.15	24.54	S, CN
7 1/2	1800	213JP	B199787.00	D	2,090	C213T17FK50	170	230/460	19.0	89.5	1.15	24.01	S, CN
7 1/2	1800	213JP	GT3416A	✓	2,090	213TTFBD6037	167	230/460	19.0	93.3	1.15	24.01	S, MX
7 1/2	1800	213JP	GT3516A	✓	2,090	213TTFBD6038	167	575	7.6	93.3	1.15	24.01	S, MX
10	3600	215JP	B199788.00	D	2,300	C215T34FK50	190	230/460	23.6	90.2	1.15	25.78	S, CN
10	3600	215JP	GT3418A	✓	2,300	215TTFBD6012	167	230/460	23.6	90.2	1.15	25.78	S, MX
10	3600	215JP	GT3518A	✓	2,300	215TTFBD6013	165	575	9.5	90.2	1.15	25.78	S, MX
10	1800	215JP	B199789.00	D	2,264	C215T17FK52	184	230/460	25.0	91.7	1.15	25.78	S, CN
10	1800	215JP	GT3419A	✓	2,264	215TTFBD6037	167	230/460	25.0	92.1	1.15	25.78	S, MX
10	1800	215JP	GT3519A	✓	2,264	215TTFBD6038	180	575	10.0	92.1	1.15	25.78	S, MX

Continued On Next Page

♥ Note listing on inside back flap

Specifications are subject to change without notice

Green items are Premium Efficient

D - Item to be discontinued once inventory is depleted
JPV frame motors are less base and have a drip cover



TEFC JP Pump Motors - C Face With Base

Note: When ordering catalog numbers beginning with GT, use the model number instead of the catalog number.

HP	SYN RPM 60 Hz	NEMA Frame	Catalog Number	Stock	List Price	Model Number	App. Wgt. (lbs)	Voltage	F. L. Amps @ 230 V	% FL. EFF.	Service Factor	"C" Dim. (Inches)	Notes
15	3600	254JP	199998.00	D	3,736	C254T34FK15	348	230/460	34.0	91.0	1.15	29.51	C, CN
15	3600	254JP	B199998.00	D	3,736	D254T34FK17	320	230/460	35.5	91.0	1.15	29.02	C, CN
15	3600	254JP	GT3421A	√	3,736	254TTFCD6012	320	230/460	35.5	91.0	1.15	29.02	C, MX
15	3600	254JP	GT3521A	√	3,736	254TTFCD6013	319	575	14.3	91.0	1.15	29.02	C, MX
15	1800	254JP	B199999.00	D	3,782	D254T17FK18	365	230/460	37.5	92.4	1.15	29.02	C, CN
15	1800	254JP	GT3422A	√	3,782	254TTFCD6037	365	230/460	37.5	92.4	1.15	29.02	C, MX
15	1800	254JP	GT3522A	√	3,782	254TTFCD6038	365	575	15.1	92.4	1.15	29.02	C, MX
20	3600	256JP	B194118.00	D	4,269	D256T34FK13	386	230/460	47.5	91.0	1.15	30.76	C, CN
20	3600	256JP	GT3424A	√	4,269	256TTFCD6012	287	230/460	47.5	91.0	1.15	30.76	C, MX
20	3600	256JP	GT3524A	√	4,269	256TTFCD6013	287	575	19.0	91.0	1.15	30.76	C, MX
20	1800	256JP	B194119.00	D	4,749	D256T17FK18	287	230/460	48.5	93.0	1.15	30.76	C, CN
20	1800	256JP	GT3425A	√	4,749	256TTFCD6037	364	230/460	48.5	93.0	1.15	30.76	C, MX
20	1800	256JP	GT3525A	√	4,749	256TTFCD6038	363	575	19.4	93.0	1.15	30.76	C, MX
25	3600	284JP	194120.00	D	4,842	C284T34FK13	432	230/460	55.5	91.7	1.15	33.82	C, CN
25	3600	284JP	B194120.00	D	4,842	D284T34FK14	432	230/460	60.0	91.7	1.15	30.40	C, CN
25	3600	284JP	GT3427A	√	4,842	284TTFCD6012	408	230/460	60.0	91.7	1.15	30.40	C, MX
25	3600	284JP	GT3527A	√	4,842	284TTFCD6013	415	575	24.0	91.7	1.15	30.40	C, MX
25	1800	284JP	194121.00	D	5,363	C284T17FK15	530	230/460	62.0	93.6	1.15	33.82	C, CN
25	1800	284JP	B194121.00	D	5,363	D284T17FK16	530	230/460	61.0	93.6	1.15	30.40	C, CN
25	1800	284JP	GT3428A	√	5,363	284TTFCD6037	500	230/460	61.0	93.6	1.15	30.40	C, MX
25	1800	284JP	GT3528A	√	5,363	284TTFCD6038	551	575	24.3	93.6	1.15	30.40	C, MX
30	3600	286JP	B194122.00	D	5,545	D286T34FK21	530	230/460	71.0	91.7	1.15	31.90	C, CN
30	3600	286JP	GT3430A	√	5,445	286TTFCD6012	430	230/460	71.0	91.7	1.15	31.90	C, MX
30	3600	286JP	GT3530A	√	5,445	286TTFCD6013	432	575	28.5	91.7	1.15	31.90	C, MX
30	1800	286JP	B194123.00	D	5,614	D286T17FK17	571	230/460	72.5	93.6	1.15	31.90	C, CN
30	1800	286JP	GT3431A	√	5,614	286TTFCD6037	542	230/460	72.5	93.6	1.15	31.90	C, MX
30	1800	286JP	GT3531A	√	5,614	286TTFCD6038	542	575	29.1	93.6	1.15	31.90	C, MX
40	3600	324JP	B194124.00	D	7,014	D324T34FK13	643	230/460	92.5	92.4	1.15	32.82	C, CN
40	3600	324JP	GT3433A	√	7,014	324TTFCD6012	643	230/460	92.5	92.4	1.15	32.82	C, MX
40	3600	324JP	GT3533A	√	7,014	324TTFCD6013	643	575	37.0	92.4	1.15	32.82	C, MX
40	1800	324JP	B194125.00	D	7,120	D324T17FK17	647	230/460	95.0	94.1	1.15	32.82	C, CN
40	1800	324JP	GT3434A	√	7,120	324TTFCD6037	647	230/460	95.0	94.1	1.15	32.82	C, MX
40	1800	324JP	GT3534A	√	7,120	324TTFCD6038	647	575	38.0	94.1	1.15	32.82	C, MX
50	3600	326JP	B194126.00	D	8,189	D326T34FK10	732	230/460	113.0	93.0	1.15	34.32	C, CN
50	3600	326JP	GT3436A	√	8,189	326TTFCD6012	732	230/460	113.0	93.0	1.15	34.32	C, MX
50	3600	326JP	GT3536A	√	8,189	326TTFCD6013	732	575	45.0	93.0	1.15	34.32	C, MX
50	1800	326JP	194127.00	D	8,232	C326T17FK12	737	230/460	119.0	94.5	1.15	36.99	C, CN
50	1800	326JP	B194127.00	D	8,232	D326T17FK13	698	230/460	117.0	94.5	1.15	34.32	C, CN
50	1800	326JP	GT3437A	√	8,232	326TTFCD6037	698	230/460	117.0	94.5	1.15	34.32	C, MX
50	1800	326JP	GT3537A	√	8,232	326TTFCD6038	698	575	47.0	94.5	1.15	34.32	C, MX

Shaded model numbers are cast iron frame

Green items are Premium Efficient

D - Item to be discontinued once inventory is depleted
JPV frame motors are less base and have a drip cover

♥ Note listing on inside back flap
Specifications are subject to change without notice



Pump Motors

Vertical Hollow Shaft Motors

NEW!

Product specification

Feature	Standard
General	
Motor Type	Three Phase Induction Motors
Enclosure	Water Protected Type 1
Power Output	7.5HP up to 300HP
Speeds	2 Pole (3600RPM) up to 100HP and 4 Pole (1800RPM) through 300HP
Design Standard	NEMA MG1
Regulatory Markings	UL C-US; CE Mark
ODP Enclosure	ODP Enclosure
Chemical Resistant Paint	Enamel Paint
Cast Iron Conduit Box	Stamped Steel Conduit Box
Electrical Characteristics	
Frequency	60/50 (50 Hz @ next lower HP, 1.15 SF)
Standard voltage rating 60Hz	230/460v through 405 frame, 460v 440 frame and larger.
Standard voltage rating 50Hz	"190/380V next lower HP for baseline 230/460v 60Hz motor 380V next lower hp for baseline 460v 60Hz motor"
Service Factor	1.15 S.F. capability @ 60Hz and 50Hz
Lead configuration	"12 leads Y-start/D-run for 230/460v 213-405 frame (PWS on 230v) 6 lead PWS/Y-start/D-run for 460v in 444 frame and larger"
Lead terminations	Loose leads, ring terminals
Lead length	6"
Efficiency	NEMA Premium @60Hz, full load
NEMA Design	Design B
Full Load MAXIMUM Temperature Rise	80C rise at 1.0 load
Service Factor	1.15 S.F. capability @ 60Hz and 50Hz
Duty Cycle	Continuous
Ambient Operating Temperature rating	-20 to 40 degree C max
Protection Devices	None (See options)
Altitude rating	0-3300 feet (0-1000 meters)
Inverter capability	3:1 VT with non-reverse ratchet
Continuous overspeed capability	60Hz base speed
Winding space heaters	Standard feature
Winding temperature sensors	None (See options)
Modification capabilities	
P-Base Flanges	Alternative sizes available as modification
Steady Bushings kits	Available
Coupling Kits	Available
Ground ring	Available as a modification
Temperature Sensors	Available as a modification
Coupling locking options	Rigid coupling (no NRR) available as a modification

Feature	Standard
Mechanical Characteristics	
Frame sizes	210TP through 449TP
Frame construction	Cast iron
Mounting	Vertical round, P-Base
P-base material	Cast iron
Canopy material	Steel
Conduit box material	Cast iron
Conduit box compartment volume	Meet or exceed NEC NFPA70; (same as NEMA MG-1 & UL1004-1)
Conduit box hole (customer entry)	NPT
IP Code	IP23
Gaskets	Gasket between frame and C-box base
Conduit box mounting/assembly	4 bolt, diagonally split
Conduit Box Rotation	Ability to rotate conduit box in 90 deg increments or accessibility of incoming power from 12:00, 3:00, 6:00 or 9:00 positions
Grounding provision	Inside C-Box
Insulation Class	Class F
Insulation Type	Inverter capable
Upper Bearing (Thrust Bearing)	"Angular contact back to back up to frame size 405 Angular contact tandem for frame sizes 444 and larger"
Lower Bearing	Single row ball bearing
Downthrust	See maximum down thrust values, based on bearing life 8760 hrs, on table 1.
Upthrust	Maximum 30% of downthrust capability
Insulated bearing	No (See options)
Upper Bearing Lubrication	"Exxon Polyrex EM grease for motors 280 frame and smaller. 320 frame and larger uses oil for upper bearing (ISO R32 recommended) and Exxon Polyrex EM grease for lower bearing"
Lower Bearing Lubrication	Exxon Polyrex EM grease
Regreasing provisions	Plugged holes
Grease and Oil drain type and location	Lubrication holes in each bracket, holes are plugged
Moisture drain type and location	Moisture drain hole in P-base and left open.
Bearing current mitigation	None (See options)
Shaft seal / slinger	V-ring rubber shaft seal
Nameplate material	Stainless steel
Nameplate Printing Method	Stamped, metal embossed or laser etched.
Hardware - Main	Unified Thread Standard (inches)
Lifting provisions	Vertical, minimum 5.0 NEMA safety factor
Vibration Limits	Per NEMA (0.15 in/s maximum velocity)
Sound Limits	per NEMA MG-1



Pump Motors

Vertical Hollow Shaft Motors

Designed to drive deep well turbine water pumps for drinking water as well as irrigation.

Features:

- Water Protected Type 1 Enclosure
- NEMA® MG1 design
- Cast iron frame construction
- IP23 rated
- -20°C to 50° ambient operating temperature rating
- Class F insulation
- Call sales office for pricing



Three Phase - ODP WP1 - Vertical Round, P-Base

HP	SYN RPM 60 Hz	NEMA Frame	Catalog Number	Stock	App. Wgt. (lbs)	Voltage	F. L. Amps @ 230 V	% FL. EFF.	"CD" Dim. (Inches)	"BD" Dim. (Inches)	Max Down Thrust Load (lbs)
7 1/2	3600	213TP	213VTDC6001	√	195	230/460	18.8	88.5	20.25	10	1900
7 1/2	1800	213TP	213VTDC6026	√	222	230/460	18.4	91.0	20.25	10	2300
10	3600	213TP	213VTDC6002	√	205	230/460	25.0	89.5	20.25	10	1900
10	1800	215TP	215VTDC6026	√	215	230/460	25.0	91.7	20.25	10	2300
15	3600	215TP	215VTDC6001	√	220	230/460	36.0	90.2	20.25	10	1800
15	1800	254TP	254VTDC6026	√	300	230/460	37.0	93.0	23.38	10	3300
20	3600	254TP	254VTDC6001	√	335	230/460	47.5	91.0	23.38	12	2600
20	1800	256TP	256VTDC6026	√	385	230/460	50.0	93.0	23.38	12	3200
25	3600	256TP	256VTDC6001	√	385	230/460	58.0	91.7	23.38	12	2600
25	1800	284TP	284VTDC6026	√	780	230/460	62.0	93.6	24.75	12	3200
30	3600	284TP	284VTDC6001	√	455	230/460	70.5	91.7	24.75	12	2600
30	1800	286TP	286VTDC6026	√	570	230/460	72.5	94.5	24.75	12	3200
40	3600	286TP	286VTDC6001	√	455	230/460	92.0	92.4	24.75	16	2500
40	1800	324TP	324VTDC6026	√	511	230/460	96.5	94.1	28.22	16	5700
50	3600	324TP	324VTDC6001	√	765	230/460	116.0	93.0	28.22	16	4500
50	1800	326TP	326VTDC6026	√	780	230/460	120.0	94.5	28.22	16	5700
60	3600	326TP	326VTDC6001	√	790	230/460	138.0	93.6	28.22	16	4500
60	1800	364TP	364VTDC6026	√	1,183	230/460	150.0	95.0	31.16	16	5600
75	3600	364TP	364VTDC6001	√	1,040	230/460	178.0	93.6	31.16	16	4500
75	1800	365TP	365VTDC6026	√	1,183	230/460	182.0	95.4	31.16	16	5500
100	3600	365TP	365VTDC6001	√	1,180	230/460	246.0	93.6	31.16	16	4500
100	1800	404TP	404VTDC6026	√	1,628	230/460	230.0	95.4	36.94	16	7300
125	1800	405TP	405VTDC6026	√	1,750	460	143*	95.4	36.94	16	7100
150	1800	444TP	444VTDC6026	√	2,100	460	174*	95.8	44.8	16	11800
200	1800	445TP	445VTDC6026	√	2,240	460	227*	95.8	44.8	16	11600
250	1800	447TP	447VTDC6026	√	2,700	460	287*	95.8	49.78	20	11300
300	1800	449TP	449VTDC6026	√	3,170	460	344*	95.8	49.78	20	13800

Contact Sales office for Pricing

* Amps at 460 Volts

♥ Note listing on inside back flap
Specifications are subject to change without notice



Pump
Motors

Washguard
Motors

Agricultural
Duty Motors

HVAC / Fan
Motors

Special Voltage
Motors

Definite
Purpose Motors

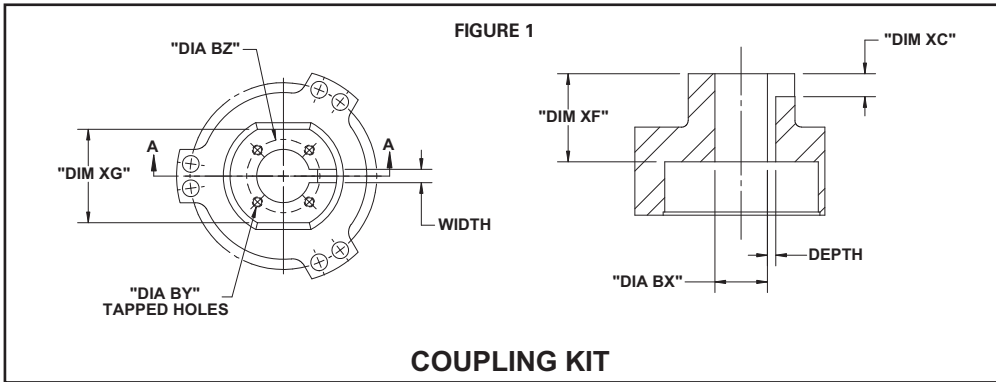
Brake Motors

IEC Motors

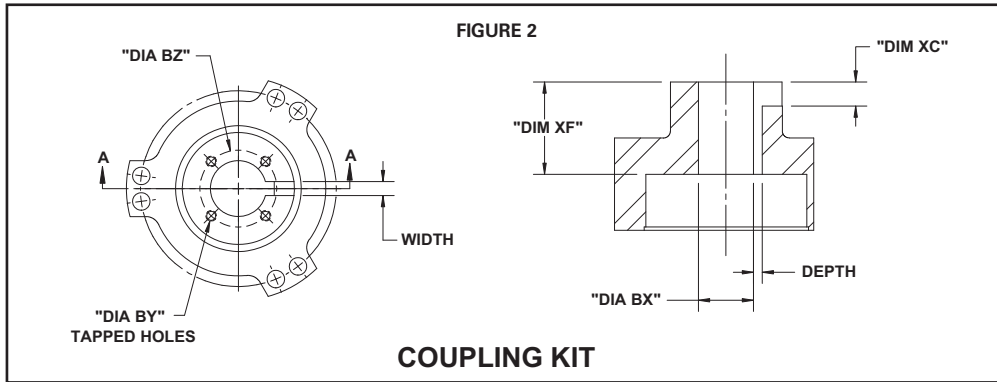
DC Motors

Pump Motors

Vertical Hollow Shaft Coupling Kits



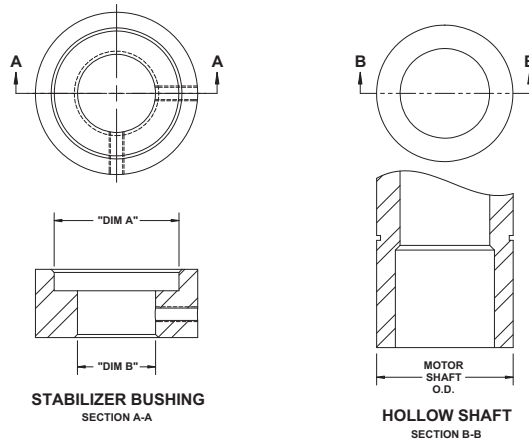
Frame	Item #	List Price	Description	Fig No.	Commonly referenced BX Dimension	KEYWAY		
						Width	Depth	
210TP	KIT 213/5CPL.751	219	COUPLING KIT, 213/5VTDC, 0.751" BX, BLANK	1	0.751	-	-	
	KIT 213/5CPL1.001	219	COUPLING KIT, 213/5VTDC, 1.001" BX	1	1.001	0.250	0.140	
250TP	KIT 254/6CPL1.001B	219	COUPLING KIT, 254/6VTDC, 0.751" BX, BLANK	1	0.751	-	-	
	KIT 254/6CPL1.001	219	COUPLING KIT, 254/6VTDC, 1.001" BX	1	1.001	0.250	0.140	
	KIT 254/6CPL1.188	219	COUPLING KIT, 254/6VTDC, 1.188" BX	1	1.188	0.250	0.140	
	KIT 254/6CPL1.251	219	COUPLING KIT, 254/6VTDC, 1.251" BX	1	1.251	0.250	0.140	
280TP	KIT 284/6CPL.751B	248	COUPLING KIT, 284/6VTDC, 0.751" BX, BLANK	1	0.751	-	-	
	KIT 284/6CPL1.001	248	COUPLING KIT, 284/6VTDC, 1.001" BX	1	1.001	0.250	0.140	
	KIT 284/6CPL1.188	248	COUPLING KIT, 284/6VTDC, 1.188" BX	1	1.188	0.250	0.140	
	KIT 284/6CPL1.251	248	COUPLING KIT, 284/6VTDC, 1.251" BX	1	1.251	0.250	0.140	
320TP 360TP	KIT 324-365CPL1.001B	572	COUPLING KIT, 324-365VTDC, 1.001" BX, BLANK	2	1.001	-	-	
	KIT 324-365CPL1.001	572	COUPLING KIT, 324-365VTDC, 1.001" BX	2	1.001	0.250	0.140	
	KIT 324-365CPL1.188	572	COUPLING KIT, 324-365VTDC, 1.188" BX	2	1.188	0.250	0.140	
	KIT 324-365CPL1.251A	572	COUPLING KIT, 324-365VTDC, 1.251" BX, 0.250" KEY WIDTH	2	1.251	0.250	0.140	
	KIT 324-365CPL1.251B	572	COUPLING KIT, 324-365VTDC, 1.251" BX, 0.375" KEY WIDTH	2	1.251	0.375	0.164	
	KIT 324-365CPL1.438	572	COUPLING KIT, 324-365VTDC, 1.438" BX	2	1.438	0.375	0.167	
	KIT 324-365CPL1.501	572	COUPLING KIT, 324-365VTDC, 1.501" BX	2	1.501	0.375	0.168	
400TP	KIT 404/5CPL1.001B	819	COUPLING KIT, 404/5 VTDC, 1.001" BX, BLANK	2	1.001	-	-	
	KIT 404/5CPL1.188	819	COUPLING KIT, 404/5 VTDC, 1.188" BX	2	1.188	0.250	0.140	
	KIT 404/5CPL1.251	819	COUPLING KIT, 404/5 VTDC, 1.251" BX	2	1.251	0.375	0.140	
	KIT 404/5CPL1.438	819	COUPLING KIT, 404/5 VTDC, 1.438" BX	2	1.438	0.375	0.140	
	KIT 404/5CPL1.501	819	COUPLING KIT, 404/5 VTDC, 1.501" BX	2	1.501	0.375	0.140	
	KIT 404/5CPL1.688	819	COUPLING KIT, 404/5 VTDC, 1.688" BX	2	1.688	0.375	0.203	
	KIT 404/5CPL1.751	819	COUPLING KIT, 404/5 VTDC, 1.751" BX	2	1.751	0.375	0.203	
440TP	KIT 444/5CPL1.188B	895	COUPLING KIT, 404/5 VTDC, 1.188" BX, BLANK	2	1.188	-	-	
	KIT 444/5CPL1.188	895	COUPLING KIT, 404/5 VTDC, 1.188" BX	2	1.188	0.250	0.116	
	KIT 444/5CPL1.501	895	COUPLING KIT, 404/5 VTDC, 1.501" BX	2	1.501	0.375	0.168	
	KIT 444/5CPL1.688	895	COUPLING KIT, 404/5 VTDC, 1.688" BX	2	1.688	0.375	0.171	
	KIT 444/5CPL1.751	895	COUPLING KIT, 404/5 VTDC, 1.751" BX	2	1.751	0.375	0.171	
	KIT 444/5CPL1.938	895	COUPLING KIT, 404/5 VTDC, 1.938" BX	2	1.938	0.500	0.222	
447TP 449TP	KIT 447/9CPL1.501B	1.034	COUPLING KIT, 447/9 VTDC, 1.501" BX, BLANK	2	1.501	-	-	
	KIT 447/9CPL1.501	1.034	COUPLING KIT, 447/9 VTDC, 1.501" BX	2	1.501	0.375	0.168	
	KIT 447/9CPL1.688	1.034	COUPLING KIT, 447/9 VTDC, 1.688" BX	2	1.688	0.375	0.171	
	KIT 447/9CPL1.938	1.034	COUPLING KIT, 447/9 VTDC, 1.938" BX	2	1.938	0.500	0.222	
	KIT 447/9CPL2.188	1.034	COUPLING KIT, 447/9 VTDC, 2.188" BX	2	2.188	0.500	0.226	
	KIT 447/9CPL2.251	1.034	COUPLING KIT, 447/9 VTDC, 2.251" BX	2	2.251	0.500	0.226	



	BY	BZ	XC	XF	XG	Top Half Coupling	Gib Key	Bolt		Spring Washer
								Part No.	Torque (lb-ft)	
	-	-	-	-	-	434-42896-05	433-12091-01 433-12091-02	433-42346-19 (3*5/16"-18UNC) (1 3/4" L)"	17	3*7098470002
	10-32UNF	1.375	0.430	1.650	1.750	434-42896-04	433-12091-02			
	-	-	-	-	-	434-42885-06	433-12091-01 433-12091-02	433-42346-18 (3*3/8"-16UNC) (2 1/4" L)"	30	3*7098500002
	10-32UNF	1.375	0.430	1.650	1.750	434-42885-03	433-12091-02			
	1/4-20UNC	1.750	0.430	1.650	1.750	434-42885-04	433-12091-02			
	1/4-20UNC	1.750	0.430	1.650	1.750	434-42885-05	433-12091-02			
	-	-	-	-	-	434-42905-06	433-12091-01 433-12091-02	433-42346-18 (3*3/8"-16UNC) (2 1/4" L)"	30	3*7098500002
	10-32UNF	1.375	0.430	1.850	1.750	434-42905-03	433-12091-02			
	1/4-20UNC	1.750	0.430	1.850	1.750	434-42905-04	433-12091-02			
	1/4-20UNC	1.750	0.430	1.850	1.750	434-42905-05	433-12091-02			
	-	-	-	-	-	433-42793-10	433-12091-07 433-12091-08	433-42346-23 (6*1/2"-13UNC) (2 1/2" L)"	75	6*7098520002
	10-32UNF	1.375	0.320	1.610	-	433-42793-01	433-12091-07			
	1/4-20UNC	1.750	0.320	1.610	-	433-42793-05	433-12091-07			
	1/4-20UNC	1.750	0.320	1.610	-	433-42793-02	433-12091-07			
	1/4-20UNC	1.750	0.320	1.610	-	433-42793-06	433-12091-08			
	1/4-20UNC	2.120	0.320	1.610	-	433-42793-03	433-12091-08			
	1/4-20UNC	2.120	0.320	1.610	-	433-42793-04	433-12091-08			
	-	-	-	-	-	433-44185-11	433-12091-04 433-12091-09	433-42346-09 (6*5/8"-11UNC) (3" L)"	150	6*7098570002
	1/4-20UNC	1.750	0.630	2.430	-	433-44185-01	433-12091-09			
	1/4-20UNC	1.750	0.630	2.430	-	433-44185-02	433-12091-04			
	1/4-20UNC	2.120	0.630	2.430	-	433-44185-03	433-12091-04			
	1/4-20UNC	2.120	0.630	2.430	-	433-44185-04	433-12091-04			
	1/4-20UNC	2.500	0.630	2.430	-	433-44185-05	433-12091-04			
	1/4-20UNC	2.500	0.630	2.430	-	433-44185-06	433-12091-04			
	-	-	-	-	-	433-42698-09	433-12091-04 433-12091-09	433-42346-09 (6*5/8"-11UNC) (3" L)"	150	6*7098570002
	1/4-20UNC	1.750	0.630	2.220	-	433-42698-02	433-12091-09			
	1/4-20UNC	2.120	0.630	2.220	-	433-42698-05	433-12091-04			
	1/4-20UNC	2.500	0.630	2.220	-	433-42698-06	433-12091-04			
	1/4-20UNC	2.500	0.630	2.220	-	433-42698-07	433-12091-04			
	1/4-20UNC	2.500	0.630	2.220	-	433-42698-08	433-12091-05			
	-	-	-	-	-	433-45524-15	433-12091-04 433-12091-09	433-42346-09 (6*5/8"-11UNC) (3" L)"	150	6*7098570002
	1/4-20UNC	2.125	0.547	2.200	-	433-45524-13	433-12091-04			
	1/4-20UNC	2.500	0.547	2.200	-	433-45524-12	433-12091-04			
	1/4-20UNC	2.500	0.673	2.200	-	433-45524-09	433-12091-05			
	3/8-16UNC	3.250	0.673	2.200	-	433-45524-05	433-12091-05			
	3/8-16UNC	3.250	0.673	2.200	-	433-45524-04	433-12091-05			

Pump Motors

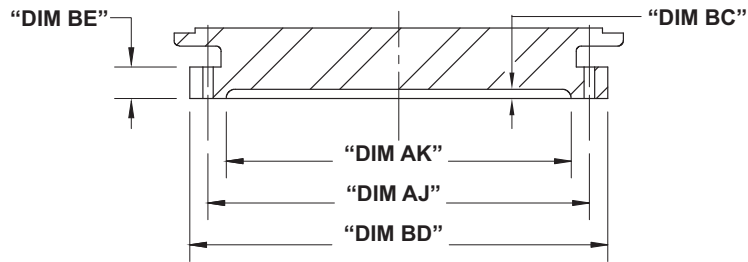
Vertical Hollow Shaft Bushing kits



Bushing Kits

Frame Size	Item #	List Price	Description	Commonly referenced	Upper Lower Limit	Nominal	Tolerance	Nominal	Tolerance	Part No.	Torque (in-lbs)					
210TP	KIT 213-256BSH1.000	271	BUSHING KIT, 213/254VTDC, 1.000" BX	1.00	1.003/1.001	1.76	0.001	1.76	-0.0005	2*434-43270-04 (3/4"L)	26-33.5					
	KIT 213-256BSH.937	271	BUSHING KIT, 213/254VTDC, .937" BX	0.937	0.940/0.938					2*434-43270-04 (3/4"L)	26-33.5					
	KIT 213-256BSH.875	271	BUSHING KIT, 213/254VTDC, .875" BX	0.875	0.878/0.876					2*434-43270-04 (3/4"L)	26-33.5					
	KIT 213-256BSH.750	271	BUSHING KIT, 213/254VTDC, .750" BX	0.750	0.753/0.751					2*434-43270-04 (3/4"L)	26-33.5					
250TP	KIT 254/256BSH1.250	271	BUSHING KIT, 254/6VTDC, 1.250" BX	1.25	1.253/1.251	2.165	0.001	2.165	-0.0005	2*434-43270-02 (1/2"L)	26-33.5					
	KIT 254/256BSH1.187	271	BUSHING KIT, 254/5VTDC, 1.187" BX	1.187	1.190/1.188					2*434-43270-02 (1/2"L)	26-33.5					
280TP	KIT 284/6BSH1.250	315	BUSHING KIT, 284/6VTDC, 1.250" BX	1.25	1.253/1.251	2.362	0.001	2.362	-0.0005	2*434-43270-04 (3/4"L)	26-33.5					
	KIT 284/6BSH1.187	315	BUSHING KIT, 284/6VTDC 1.187" BX	1.187	1.190/1.188					2*434-43270-04 (3/4"L)	26-33.5					
	KIT 284/6BSH1.000	315	BUSHING KIT, 284/6VTDC 1.000" BX	1.00	1.003/1.001					2*434-43270-04 (3/4"L)	26-33.5					
	KIT 284/6BSH.875	315	BUSHING KIT, 284/6VTDC .875" BX	0.875	0.878/0.876					2*434-43270-04 (3/4"L)	26-33.5					
	KIT 284/6BSH.750	315	BUSHING KIT, 284/6VTDC .750" BX	0.750	0.753/0.751					2*434-43270-04 (3/4"L)	26-33.5					
320TP	KIT 324/6BSH1.500	347	BUSHING KIT, 324/6VTDC, 1.500" BX	1.50	1.502/1.501	2.559	0.001	2.559	-0.0005	2*434-43270-04 (3/4"L)	26-33.5					
	KIT 324/6BSH1.437	347	BUSHING KIT, 324/6VTDC, 1.437" BX	1.437	1.439/1.438					2*434-43270-04 (3/4"L)	26-33.5					
	KIT 324/6BSH1.250	347	BUSHING KIT, 324/6VTDC, 1.250" BX	1.25	1.252/1.251					2*434-43270-04 (3/4"L)	26-33.5					
	KIT 324/6BSH1.187	347	BUSHING KIT, 324/6VTDC, 1.187" BX	1.187	1.189/1.188					2*434-43270-04 (3/4"L)	26-33.5					
	KIT 324/6BSH1.126	347	BUSHING KIT, 324/6VTDC, 1.126" BX	1.126	1.127/1.126					2*434-43270-04 (3/4"L)	26-33.5					
	KIT 324/6BSH1.000	347	BUSHING KIT, 324/6VTDC, 1.000" BX	1.00	1.002/1.001					2*434-43270-04 (3/4"L)	26-33.5					
360TP	KIT 364/5BSH1.500	381	BUSHING KIT, 364/5VTDC, 1.500" BX	1.50	1.502/1.501	2.638	0.001	2.638	-0.0005	2*434-43270-04 (3/4"L)	26-33.5					
	KIT 364/5BSH1.437	381	BUSHING KIT, 364/5VTDC, 1.437" BX	1.437	1.439/1.438					2*434-43270-04 (3/4"L)	26-33.5					
	KIT 364/5BSH1.250	381	BUSHING KIT, 364/5VTDC, 1.250" BX	1.25	1.252/1.251					2*434-43270-04 (3/4"L)	26-33.5					
	KIT 364/5BSH1.187	381	BUSHING KIT, 364/5VTDC, 1.187" BX	1.187	1.189/1.188					2*434-43270-04 (3/4"L)	26-33.5					
	KIT 364/5BSH1.126	381	BUSHING KIT, 364/5VTDC, 1.126" BX	1.126	1.127/1.126					2*434-43270-04 (3/4"L)	26-33.5					
400TP	KIT 404-445BSH1.750	400	BUSHING KIT,404/445VTDC, 1.750" BX	1.75	1.752/1.751	3.425	0.001	3.425	-0.0005	2*434-43270-04 (3/4"L)	26-33.5					
	KIT 404-445BSH1.687	400	BUSHING KIT,404/445VTDC, 1.687" BX	1.687	1.689/1.688					2*434-43270-04 (3/4"L)	26-33.5					
	KIT 404-445BSH1.500	400	BUSHING KIT,404/445VTDC, 1.500" BX	1.50	1.502/1.501					2*434-43270-04 (3/4"L)	26-33.5					
	KIT 404-445BSH1.437	400	BUSHING KIT,404/445VTDC, 1.437" BX	1.437	1.439/1.438					2*434-43270-04 (3/4"L)	26-33.5					
	KIT 404-445BSH1.250	400	BUSHING KIT,404/445VTDC, 1.250" BX	1.25	1.252/1.251					2*434-43270-04 (3/4"L)	26-33.5					
	KIT 404-445BSH1.187	400	BUSHING KIT,404/445VTDC, 1.187" BX	1.187	1.189/1.188					2*434-43270-04 (3/4"L)	26-33.5					
447TP	KIT 447/9BSH2.500	595	BUSHING KIT,447/9VTDC, 2.500" BX	2.5	2.502/2.501	2	2.002/2.001	2	2.002/2.001	2*434-43270-04 (3/4"L)	26-33.5					
	KIT 447/9BSH2.437	271	BUSHING KIT,447/9VTDC, 2.437" BX	2.437	2.439/2.438					2*434-43270-04 (3/4"L)	26-33.5					
	KIT 447/9BSH2.375	595	BUSHING KIT,447/9VTDC, 2.375" BX	2.375	2.377/2.376					2*434-43270-04 (3/4"L)	26-33.5					
	KIT 447/9BSH2.250	595	BUSHING KIT,447/9VTDC, 2.250" BX	2.25	2.252/2.251					2*434-43270-04 (3/4"L)	26-33.5					
	KIT 447/9BSH2.187	595	BUSHING KIT,447/9VTDC, 2.187" BX	2.187	2.189/2.188					2*434-43270-04 (3/4"L)	26-33.5					
	KIT 447/9BSH2.125	595	BUSHING KIT,447/9VTDC, 2.125" BX	2.125	2.127/2.126					2*434-43270-04 (3/4"L)	26-33.5					
	449TP	KIT 447/9BSH2.062	595	BUSHING KIT,447/9VTDC, 2.062" BX	2.062					2.064/2.063	1.937	1.939/1.938	1.937	1.939/1.938	2*434-43270-04 (3/4"L)	26-33.5
		KIT 447/9BSH2.000	595	BUSHING KIT,447/9VTDC, 2.000" BX	2					2.002/2.001					2*434-43270-04 (3/4"L)	26-33.5
		KIT 447/9BSH1.937	595	BUSHING KIT,447/9VTDC, 1.937" BX	1.937					1.939/1.938					2*434-43270-04 (3/4"L)	26-33.5
		KIT 447/9BSH1.750	595	BUSHING KIT,447/9VTDC, 1.750" BX	1.75					1.752/1.751					2*434-43270-04 (3/4"L)	26-33.5
KIT 447/9BSH1.687		595	BUSHING KIT,447/9VTDC, 1.687" BX	1.687	1.689/1.688	2*434-43270-04 (3/4"L)	26-33.5									
KIT 447/9BSH1.500		595	BUSHING KIT,447/9VTDC, 1.500" BX	1.50	1.502/1.501	2*434-43270-04 (3/4"L)	26-33.5									
KIT 447/9BSH1.437		595	BUSHING KIT,447/9VTDC, 1.437" BX	1.437	1.439/1.438	2*434-43270-04 (3/4"L)	26-33.5									





FRAME NO.	Item #	List Price	Description	AK	BD	BB	BE	AJ
213/5	KIT 210VTPDC10	425	P-BASE KIT, 213/5VTDC, 10" BD	8.250-8.253	10	0.25	0.75	9.125
	KIT 210VTPDC12	425	P-BASE KIT, 213/5VTDC, 12" BD	8.250-8.253	12	0.25	0.75	9.125
254/6	KIT 250VTPDC10	527	P-BASE KIT, 254/6VTDC, 10" BD	8.250-8.253	10	0.27	0.98	9.125
	KIT 250VTPDC12	527	P-BASE KIT, 254/6VTDC, 12" BD	8.250-8.253	12	0.27	0.98	9.125
	KIT 250VTPDC16	639	P-BASE KIT, 254/6VTDC, 16" BD	8.250-8.253	16.5	0.27	0.98	9.125
284/6	KIT 280VTPDC10	800	P-BASE KIT, 284/6VTDC, 10" BD	8.250-8.253	10	0.27	0.98	9.125
	KIT 280VTPDC12	800	P-BASE KIT, 284/6VTDC, 12" BD	8.250-8.253	12	0.27	0.98	9.125
	KIT 280VTPDC16	858	P-BASE KIT, 284/6VTDC, 16" BD	13.500-13.505	16.5	0.27	0.98	14.75
324/6	KIT 320VTPDC12	923	P-BASE KIT, 324/6VTDC, 12" BD	8.250-8.253	12	0.27	0.98	9.125
	KIT 320VTPDC16	923	P-BASE KIT, 324/6VTDC, 16" BD	13.500-13.505	16.5	0.27	0.98	14.75
364/5	KIT 360VTPDC12	1.327	P-BASE KIT, 364/5VTDC, 12" BD	8.250-8.253	12	0.27	0.98	9.125
	KIT 360VTPDC16	1.327	P-BASE KIT, 364/5VTDC, 16" BD	13.500-13.505	16.5	0.27	0.98	14.75
404/5	KIT 400VTPDC16	1.418	P-BASE KIT, 404/5VTDC, 16" BD	13.500-13.505	16.5	0.27	0.98	14.75
	KIT 400VTPDC20	1.418	P-BASE KIT, 404/5VTDC, 20" BD	13.500-13.505	20	0.27	0.98	14.75
444/5	KIT 444/5VTPDC16	2.655	P-BASE KIT, 444/5VTDC, 16" BD	13.500-13.505	16.5	0.27	1.16	14.75
	KIT 444/5VTPDC20	2.655	P-BASE KIT, 444/5VTDC, 20" BD	13.500-13.505	20	0.27	1.16	14.75
	KIT 444/5VTPDC24	2.919	P-BASE KIT, 444/5VTDC, 24" BD	13.500-13.505	24	0.27	1.16	14.75
447/9	KIT 447/9VTPDC16	3.026	P-BASE KIT, 447/9VTDC, 16" BD	13.500-13.505	16.5	0.27	1.16	14.75
	KIT 447/9VTPDC20	3.764	P-BASE KIT, 447/9VTDC, 20" BD	13.500-13.505	20	0.27	1.16	14.75
	KIT 447/9VTPDC24	3.925	P-BASE KIT, 447/9VTDC, 24" BD	13.500-13.505	24	0.27	1.16	14.75

Pump Motors

Lincoln Motors™ Fire Pump Motors - Drip-Proof - Rigid Base



Features:

- 250 frame rolled steel construction
- 280 frame and larger - cast iron construction
- Ball bearings
- NEMA® design B, code G
- 230/460 and 460 volt motors rated for 50HZ at next lower HP, with 1.15 S.F. on nameplate
- Dual voltage motors – 12 leads suitable for Y-Delta, low voltage PWS, and across the line start
- Single voltage motors – 12 leads suitable for Y-Delta, PWS, and across the line start
- C Face kits available through 250HP
- Exterior red paint
- UL listed and CSA certified (UL1004A) and CE marked
- For special designs contact district sales office near you

Three Phase - Drip-Proof - Rigid Base

HP	SYN RPM 60 Hz	NEMA Frame	Catalog Number	Stock	List Price	Model Number	App. Wgt. (lbs)	Voltage	*F. L. Amps	% FL. EFF.	Service Factor	"C" Dim. (Inches)	♥Notes
25	3600	256T	LM80103	C/A	2,165	SSD2P25T62AP5	164	200/400	—	91.0	1.15	—	S, US
25	3600	256T	LM80104	C/A	2,165	SSD2P25T61AP5	164	230/460	58	91.0	1.15	22.32	S, US
25	3600	256T	LM80260	√	1,914	SD2P25T61AP21AP5	231	230/460	58	91.0	1.15	24.22	S, CN
25	1800	284T	LM80105	C/A	3,038	CCD4P25T62YAP5	420	200/400	70	91.7	1.15	23.49	C, US
25	1800	284T	LM80106	C/A	3,038	CCD4P25T61YAP5	420	230/460	61	91.7	1.15	23.49	C, US
25	1800	284T	LM80261	√	2,541	SD4P25T61YAP21AP5	320	230/460	61	91.7	1.15	25.71	S, CN
30	3600	284TS	LM80107	C/A	3,254	CCD2P30TS62YAP5	318	200/400	83	91.0	1.15	22.06	C, US
30	3600	284TS	LM80108	C/A	3,254	CCD2P30TS61YAP5	318	230/460	72	91.0	1.15	22.06	C, US
30	3600	284TS	LM80262	√	2,533	SD2P30TS61YAP21AP5	315	230/460	72	91.0	1.15	24.34	S, CN
30	1800	286T	LM80109	C/A	3,580	CCD4P30T62YAP5	364	200/400	83	92.4	1.15	23.56	C, US
30	1800	286T	LM80110	C/A	3,580	CCD4P30T61YAP5	364	230/460	72	92.4	1.15	23.49	C, US
30	1800	286T	LM80263	√	2,772	SD4P30T61YAP21AP5	362	230/460	72	92.4	1.15	27.09	S, CN
40	3600	286TS	LM80111	C/A	3,630	CCD2P40TS62YAP5	360	200/400	123	91.7	1.15	23.64	C, US
40	3600	286TS	LM80112	C/A	3,630	CCD2P40TS61YAP5	360	230/460	107	91.7	1.15	23.56	C, US
40	3600	286TS	LM80264	√	2,778	SD2P40TS61YAP21AP5	362	230/460	94	91.7	1.15	25.72	S, CN
40	1800	324TS	LM80113	C/A	4,028	CCD4P40TS62YAP5	465	200/400	127	93.0	1.15	24.50	C, US
40	1800	324TS	LM80114	C/A	4,028	CCD4P40TS61YAP5	465	230/460	97	93.0	1.15	24.50	C, US
40	1800	324T	LM80115	C/A	4,028	CCD4P40T62YAP5	465	200/400	112	93.0	1.15	26.00	C, US
40	1800	324T	LM80116	C/A	4,028	CCD4P40T61YAP5	465	230/460	97	93.0	1.15	26.00	C, US
40	1800	324T	LM80265	√	3,916	CCD4P40T61YAP21AP5	549	230/460	94	93.0	1.15	28.55	C, CN
50	3600	324TS	LM80117	C/A	3,842	CCD2P50TS62YAP5	415	200/400	135	92.4	1.15	24.50	C, US
50	3600	324TS	LM80118	C/A	3,842	CCD2P50TS61YAP5	415	230/460	117	92.4	1.15	24.50	C, US
50	3600	324TS	LM80266	√	3,622	CCD2P50TS61YAP21AP5	556	230/460	114	92.4	1.15	27.05	C, CN
50	1800	326TS	LM80119	C/A	4,293	CCD4P50TS62YAP5	515	200/400	142	93.0	1.15	26.00	C, US
50	1800	326TS	LM80120	C/A	4,293	CCD4P50TS61YAP5	515	230/460	123	93.0	1.15	26.00	C, US
50	1800	326T	LM80121	C/A	4,293	CCD4P50T62YAP5	515	200/400	161	93.0	1.15	26.00	C, US
50	1800	326T	LM80122	C/A	4,293	CCD4P50T61YAP5	515	230/460	123	93.0	1.15	27.50	C, US
50	1800	326T	LM80267	√	4,208	CCD4P50T61YAP21AP5	591	230/460	120	93.6	1.15	29.73	C, CN
60	3600	326TS	LM80123	C/A	4,280	CCD2P60TS62YAP5	340	200/400	155	93.0	1.15	26.00	C, US
60	3600	326TS	LM80124	C/A	4,280	CCD2P60TS61YAP5	340	230/460	135	93.0	1.15	26.00	C, US
60	3600	326TS	LM80268	√	3,939	CCD2P60TS61YAP21AP5	679	230/460	136	93.0	1.15	28.23	C, CN
60	1800	364TS	LM80125	C/A	8,113	CCD4P60TS62YAP5	805	200/400	166	93.6	1.15	26.50	C, US
60	1800	364TS	LM80126	C/A	8,120	CCD4P60TS61YAP5	805	230/460	144	93.6	1.15	26.50	C, US
60	1800	364TS	LM80269	√	4,777	CCD4P60TS61YAP21AP5	1200	230/460	138	93.6	1.15	29.57	C, CN
60	1800	364T	LM80127	C/A	8,120	CCD4P60T62YAP5	805	200/400	166	93.6	1.15	28.62	C, US
60	1800	364T	LM80128	C/A	8,120	CCD4P60T61YAP5	805	230/460	144	93.6	1.15	28.62	C, US

Shaded model numbers are cast iron frame

Continued On Next Page

* Full load amps at lowest listed voltage
C/A - Check Availability

♥ Note listing on inside back flap
Specifications are subject to change without notice



Pump Motors

Lincoln Motors™ Fire Pump Motors - Drip-Proof - Rigid Base

Three Phase - Drip-Proof - Rigid Base

HP	SYN RPM 60 Hz	NEMA Frame	Catalog Number	Stock	List Price	Model Number	App. Wgt. (lbs)	Voltage	*F. L. Amps	% FL. EFF.	Service Factor	"C" Dim. (Inches)	♥Notes
75	3600	364TS	LM80129	C/A	7,931	CCD2P75TS62YAP5	950	200/400	211	93.0	1.15	26.50	C, US
75	3600	364TS	LM80130	√	8,431	CCD2P75TS61YAP5	950	230/460	183	93.0	1.15	26.50	C, US
75	3600	364TS	LM80270	√	4,633	CCD2P75TS61YAP21AP5	1200	230/460	170	93.0	1.15	29.57	C, CN
75	1800	365TS	LM80131	C/A	8,451	CCD4P75TS62YAP5	766	200/400	204	94.1	1.15	27.50	C, US
75	1800	365TS	LM80132	C/A	8,451	CCD4P75TS61YAP5	766	230/460	177	94.1	1.15	27.50	C, US
75	1800	365TS	LM80271	√	5,446	CCD4P75TS61YAP21AP5	930	230/460	170	94.1	1.15	31.14	C, CN
75	1800	365T	LM80133	C/A	8,451	CCD4P75T62YAP5	766	200/400	204	94.1	1.15	29.62	C, US
75	1800	365T	LM80134	√	8,451	CCD4P75T61YAP5	766	230/460	177	94.1	1.15	29.62	C, US
100	3600	365TS	LM80135	C/A	8,255	CCD2P100TS62YAP5	730	200/400	276	93.0	1.15	27.50	C, US
100	3600	365TS	LM80136	C/A	8,255	CCD2P100TS61YAP5	730	230/460	240	93.0	1.15	27.50	C, US
100	3600	365TS	LM80272	√	5,068	CCD2P100TS61YAP21AP5	930	230/460	228	93.0	1.15	31.14	C, CN
100	1800	404TS	LM80137	C/A	10,389	CCD4P100TS62YAP5	1065	200/400	267	94.1	1.15	29.50	C, US
100	1800	404TS	LM80138	C/A	10,389	CCD4P100TS61YAP5	1065	230/460	236	94.1	1.15	29.50	C, US
100	1800	404TS	LM80273	√	6,855	CCD4P100TS61YAP21AP5	1151	230/460	228	94.1	1.15	33.86	C, CN
100	1800	404T	LM80139	C/A	10,389	CCD4P100T62YAP5	1065	200/400	271	94.1	1.15	32.50	C, US
100	1800	404T	LM80140	√	10,389	CCD4P100T61YAP5	1065	230/460	236	94.1	1.15	32.50	C, US
125	3600	404TS	LM80141	C/A	9,838	CCD2P125TS62YAP5	949	200/400	327	93.6	1.15	29.50	C, US
125	3600	404TS	LM80142	√	9,838	CCD2P125TS61YAP5	949	230/460	284	93.6	1.15	29.50	C, US
125	3600	404TS	LM80238	√	6,121	CCD2P125TS61YAP21AP5	1151	460	139	93.6	1.15	33.86	C, CN
125	1800	405TS	LM80143	C/A	11,111	CCD4P125TS62YAP5	1070	200/400	327	94.5	1.15	29.50	C, US
125	1800	405TS	LM80144	C/A	11,111	CCD4P125TS61YAP5	1088	230/460	288	94.5	1.15	31.00	C, US
125	1800	405TS	LM80239	√	7,561	CCD4P125TS61YAP21AP5	1240	460	142	94.5	1.15	35.44	C, CN
125	1800	405T	LM80145	C/A	11,111	CCD4P125T62YAP5	1070	200/400	331	94.5	1.15	34.00	C, US
125	1800	405T	LM80146	√	11,111	CCD4P125T61YAP5	1070	230/460	288	94.5	1.15	34.00	C, US
150	3600	405TS	LM80147	C/A	10,140	CCD2P150TS6011PYAP5	983	400	194	93.6	1.15	31.00	C, US
150	3600	405TS	LM80148	√	10,140	CCD2P150TS64PYAP5	983	460	169	93.6	1.15	31.00	C, US
150	3600	405TS	LM80240	√	6,552	CCD2P150TS64PYAP21AP5	1240	460	168	93.6	1.15	35.44	C, CN
150	1800	444TS	LM80149	C/A	12,988	CCD4P150TS6011PYAP5	1265	400	199	95.0	1.15	34.00	C, US
150	1800	444TS	LM80150	C/A	12,988	CCD4P150TS64PYAP5	1265	460	173	95.0	1.15	34.00	C, US
150	1800	444TS	LM80241	√	12,561	CCD4P150TS64PYAP21AP5	1880	460	170	95.0	1.15	40.83	C, CN
150	1800	444T	LM80151	C/A	12,988	CCD4P150T6011PYAP5	1265	400	199	95.0	1.15	37.75	C, US
150	1800	444T	LM80152	√	12,988	CCD4P150T64PYAP5	1265	460	173	95.0	1.15	37.75	C, US
200	3600	444TS	LM80153	C/A	13,126	CCD2P200TS6011PYAP5	1315	400	259	94.5	1.15	34.00	C, US
200	3600	444TS	LM80154	√	13,126	CCD2P200TS64PYAP5	1315	460	225	94.5	1.15	34.00	C, US
200	3600	444TS	LM80242	√	11,644	CCD2P200TS64PYAP21AP5	1880	460	220	94.5	1.15	40.83	C, CN
200	1800	445TS	LM80155	C/A	13,953	CCD4P200TS6011PYAP5	1412	400	268	95.0	1.15	36.00	C, US
200	1800	445TS	LM80156	C/A	13,953	CCD4P200TS64PYAP5	1412	460	233	95.0	1.15	36.00	C, US
200	1800	445TS	LM80243	√	14,051	CCD4P200TS64PYAP21AP5	2004	460	225	95.4	1.15	40.83	C, CN
200	1800	445T	LM80157	C/A	13,953	CCD4P200T6011PYAP5	1412	400	268	95.0	1.15	39.75	C, US
200	1800	445T	LM80158	√	13,953	CCD4P200T64PYAP5	1412	460	233	95.0	1.15	39.75	C, US
250	3600	445TS	LM80159	C/A	14,025	CCD2P250TS6011PYAP5	1387	400	321	94.5	1.15	36.00	C, US
250	3600	445TS	LM80160	C/A	14,025	CCD2P250TS64PYAP5	1387	460	279	94.5	1.15	36.00	C, US
250	3600	445TS	LM80244	√	12,253	CCD2P250TS64PYAP21AP5	2004	460	272	94.5	1.15	40.83	C, CN
250	1800	445TS	LM80161	C/A	15,364	CCD4P250TS6011PYAP5	1428	400	328	95.4	1.15	36.00	C, US
250	1800	445TS	LM80162	C/A	15,364	CCD4P250TS64PYAP5	1428	460	285	95.4	1.15	36.00	C, US
250	1800	445TS	LM80245	√	14,690	CCD4P250TS64PYAP21AP5	2004	460	278	95.5	1.15	45.95	C, CN
250	1800	445T	LM80163	C/A	15,364	CCD4P250T6011PYAP5	1428	400	328	95.4	1.15	39.75	C, US
250	1800	445T	LM80164	√	15,364	CCD4P250T64PYAP5	1428	460	285	95.4	1.15	39.75	C, US
300	3600	447TS	LM80165	C/A	18,819	CCD2P300TS6011PYAP5	2255	400	382	95.0	1.15	39.50	C, US
300	3600	447TS	LM80166	√	18,819	CCD2P300TS64PYAP5	2255	460	332	95.0	1.15	39.50	C, US
300	1800	447TS	LM80167	C/A	19,777	CCD4P300TS6011PYAP5	1952	400	397	95.4	1.15	39.50	C, US
300	1800	447TS	LM80168	C/A	19,777	CCD4P300TS64PYAP5	1952	460	345	95.4	1.15	39.50	C, US
300	1800	447T	LM80169	C/A	19,777	CCD4P300T6011PYAP5	1952	400	397	95.4	1.15	43.25	C, US
300	1800	447T	LM80170	√	19,777	CCD4P300T64PYAP5	1952	460	345	95.4	1.15	43.25	C, US
350	3600	447TS	LM80171	C/A	19,606	CCD2P350TS6011PYAP5	2068	400	443	95.0	1.15	39.50	C, US
350	3600	447TS	LM80172	√	19,606	CCD2P350TS64PYAP5	2068	460	385	95.0	1.15	39.50	C, US
350	1800	447TS	LM80173	C/A	19,730	CCD4P350TS6011PYAP5	1950	400	466	95.4	1.15	39.50	C, US
350	1800	447TS	LM80174	C/A	19,730	CCD4P350TS64PYAP5	1950	460	405	95.4	1.15	39.50	C, US
350	1800	447T	LM80175	C/A	19,730	CCD4P350T6011PYAP5	1950	400	466	95.4	1.15	43.25	C, US
350	1800	447T	LM80176	√	19,730	CCD4P350T64PYAP5	1950	460	405	95.4	1.15	43.25	C, US
400	1800	447TS	LM80178	√	22,077	CCD4P400TS64PYAP5	2214	460	450	95.4	1.15	39.50	C, US
450	1800	449TS	LM80180	√	29,292	CCD4P450TS64PYAP5	2675	460	505	95.8	1.15	44.50	C, US
500	1800	449TS	LM80182	√	31,977	CCD4P500TS64PYAP5	2695	460	560	95.8	1.15	44.50	C, US

Shaded model numbers are cast iron frame

* Full load amps at lowest listed voltage
C/A - Check Availability



♥ Note listing on inside back flap
Specifications are subject to change without notice

Pump Motors
Washguard Motors
Agricultural Duty Motors
HVAC / Fan Motors
Special Voltage Motors
Definite Purpose Motors
Brake Motors
IEC Motors
DC Motors

Pump Motors

Lincoln Motors™ Fire Pump Motors - TEFC - Rigid Base

Features:

- Ball bearings
- NEMA® design B, code G
- 230/460 and 460 volt motors rated for 50HZ at next lower HP, with 1.15 S.F. on nameplate
- Dual voltage motors – 12 leads suitable for Y-Delta, low voltage PWS, and across the line start
- Single voltage motors – 12 leads suitable for Y-Delta, PWS, and across the line start
- C-Face kits available through 250HP
- Exterior red paint
- UL listed and CSA certified (UL1004A) and CE marked
- For special designs contact district sales office near you



Three Phase - TEFC - Rigid Base

HP	SYN RPM 60 Hz	NEMA Frame	Catalog Number	Stock	List Price	Model Number	App. Wgt. (lbs)	Voltage	*F.L. Amps	% FL. EFF.	Service Factor	"C" Dim. (Inches)	♥Notes
3	3600	182T	LM80050	C/A	1,141	CCF2P3T62AP5	84	200/400	8.5	85.5	1.15	15.87	C, US
3	3600	182T	LM80051	C/A	1,141	CCF2P3T61AP5	84	230/460	7.4	85.5	1.15	15.87	C, US
3	1800	182T	LM80053	C/A	1,237	CCF4P3T61AP5	90	230/460	8.6	87.5	1.15	15.87	C, US
5	3600	184T	LM80055	C/A	1,312	CCF2P5T61AP5	108	230/460	12.2	87.5	1.15	15.87	C, US
5	1800	184T	LM80056	C/A	1,352	CCF4P5T62AP5	123	200/400	15.0	87.5	1.15	15.87	C, US
5	1800	184T	LM80057	C/A	1,352	CCF4P5T61AP5	123	230/460	13.0	87.5	1.15	15.87	C, US
7 1/2	3600	213T	LM80058	C/A	1,831	CCF2P7.5T62AP5	188	200/400	21.9	88.5	1.15	18.20	C, US
7 1/2	3600	213T	LM80059	C/A	1,831	CCF2P7.5T61AP5	188	230/460	19.0	88.5	1.15	18.20	C, US
7 1/2	1800	213T	LM80060	C/A	1,801	CCF4P7.5T62AP5	194	200/400	23.0	89.5	1.15	18.20	C, US
7 1/2	1800	213T	LM80061	C/A	1,801	CCF4P7.5T61AP5	194	230/460	20.0	89.5	1.15	19.63	C, US
10	3600	215T	LM80062	C/A	1,939	CCF2P10T62AP5	217	200/400	27.6	89.5	1.15	19.63	C, US
10	3600	215T	LM80063	C/A	1,939	CCF2P10T61AP5	217	230/460	24.0	90.2	1.15	22.63	C, US
10	1800	215T	LM80064	C/A	2,005	CCF4P10T62AP5	227	200/400	28.8	89.5	1.15	22.63	C, US
10	1800	215T	LM80065	√	2,005	CCF4P10T61AP5	227	230/460	25.0	89.5	1.15	22.63	C, US
15	3600	254T	LM80066	C/A	2,733	CCF2P15T62AP5	370	200/400	—	90.2	1.15	—	C, US
15	3600	254T	LM80067	C/A	2,733	CCF2P15T61AP5	370	230/460	35.0	90.2	1.15	23.69	C, US
15	1800	254T	LM80068	C/A	2,620	CCF4P15T62AP5	365	200/400	—	91.0	1.15	—	C, US
15	1800	254T	LM80069	C/A	2,620	CCF4P15T61AP5	365	230/460	39.0	91.0	1.15	23.52	C, US
20	3600	256T	LM80070	C/A	3,301	CCF2P20T62AP5	334	200/400	—	90.2	1.15	—	C, US
20	3600	256T	LM80071	C/A	3,301	CCF2P20T61AP5	334	230/460	46.5	90.2	1.15	25.27	C, US
20	1800	256T	LM80072	C/A	2,812	CCF4P20T62AP5	420	200/400	57.5	91.0	1.15	25.27	C, US
20	1800	256T	LM80073	C/A	2,812	CCF4P20T61AP5	420	230/460	50.0	91.0	1.15	25.27	C, US
25	3600	284TS	LM80074	C/A	4,271	CCF2P25TS62YAP5	384	200/400	—	91.0	1.15	—	C, US
25	3600	284TS	LM80075	C/A	4,271	CCF2P25TS61YAP5	384	230/460	59.0	91.0	1.15	24.89	C, US
25	1800	284T	LM80076	C/A	3,413	CCF4P25T62YAP5	440	200/400	—	92.4	1.15	—	C, US
25	1800	284T	LM80077	C/A	3,413	CCF4P25T61YAP5	440	230/460	61.0	92.4	1.15	26.27	C, US
30	3600	286TS	LM80078	C/A	5,069	CCF2P30TS62YAP5	428	200/400	—	91.0	1.15	—	C, US
30	3600	286TS	LM80079	C/A	5,069	CCF2P30TS61YAP5	428	208-230/460	70.0	91.0	1.15	26.43	C, US
30	1800	286T	LM80080	C/A	4,081	CCF4P30T62YAP5	494	200/400	—	92.4	1.15	—	C, US
30	1800	286T	LM80081	C/A	4,081	CCF4P30T61YAP5	494	208-230/460	72.0	92.4	1.15	27.84	C, US

Shaded model numbers are cast iron frame

Continued On Next Page

* Full load amps at lowest listed voltage
C/A - Check Availability

♥ Note listing on inside back flap
Specifications are subject to change without notice



Three Phase - TEFC - Rigid Base

HP	SYN RPM 60 Hz	NEMA Frame	Catalog Number	Stock	List Price	Model Number	App. Wgt. (lbs)	Voltage	*F. L. Amps	% FL. EFF.	Service Factor	"C" Dim. (Inches)	♥Notes
40	3600	324TS	LM80084	C/A	7,097	CCF2P40TS62YAP5	520	200/400	—	91.7	1.15	—	C, US
40	3600	324TS	LM80085	√	7,097	CCF2P40TS61YAP5	520	208-230/460	92.0	91.7	1.15	27.47	C, US
40	1800	324TS	LM80183	C/A	5,977	CCF4P40TS62YAP5	575	200/400	—	93.0	1.15	—	C, US
40	1800	324TS	LM80184	C/A	5,977	CCF4P40TS61YAP5	575	208-230/460	100.0	93.0	1.15	27.47	C, US
40	1800	324T	LM80027	C/A	5,977	CCF4P40T62YAP5	575	200/400	—	93.0	1.15	—	C, US
40	1800	324T	LM80086	√	5,977	CCF4P40T61YAP5	575	208-230/460	100.0	93.0	1.15	28.97	C, US
50	3600	326TS	LM80028	C/A	8,287	CCF2P50TS62YAP5	540	200/400	—	93.0	1.15	—	C, US
50	3600	326TS	LM80087	C/A	8,287	CCF2P50TS61YAP5	540	208-230/460	112.0	93.0	1.15	28.97	C, US
50	1800	326TS	LM80186	C/A	6,712	CCF4P50TS62YAP5	675	200/400	—	93.6	1.15	—	C, US
50	1800	326TS	LM80187	C/A	6,712	CCF4P50TS61YAP5	675	208-230/460	122.0	93.6	1.15	28.87	C, US
50	1800	326T	LM80029	C/A	6,712	CCF4P50T62YAP5	675	200/400	140.0	93.6	1.15	30.37	C, US
50	1800	326T	LM80088	C/A	6,712	CCF4P50T61YAP5	675	208-230/460	122.0	93.6	1.15	31.87	C, US
60	3600	364TS	LM80030	C/A	9,985	CCF2P60TS62YAP5	875	200/400	—	93.0	1.15	—	C, US
60	3600	364TS	LM80089	√	9,985	CCF2P60TS61YAP5	875	208-230/460	138.0	93.0	1.15	29.38	C, US
60	1800	364TS	LM80188	C/A	9,254	CCF4P60TS62YAP5	975	200/400	—	93.6	1.15	—	C, US
60	1800	364TS	LM80185	C/A	9,254	CCF4P60TS61YAP5	975	208-230/460	142.0	93.6	1.15	29.38	C, US
60	1800	364T	LM80031	C/A	9,254	CCF4P60T62YAP5	975	200/400	—	93.6	1.15	—	C, US
60	1800	364T	LM80090	√	9,254	CCF4P60T61YAP5	975	208-230/460	142.0	93.6	1.15	31.50	C, US
75	3600	365TS	LM80032	C/A	11,894	CCF2P75TS62YAP5	1000	200/400	—	93.6	1.15	—	C, US
75	3600	365TS	LM80091	√	11,894	CCF2P75TS61YAP5	1000	208-230/460	172.0	93.6	1.15	30.38	C, US
75	1800	365TS	LM80189	C/A	11,671	CCF4P75TS62YAP5	1025	200/400	—	94.1	1.15	—	C, US
75	1800	365TS	LM80190	C/A	11,671	CCF4P75TS61YAP5	1025	208-230/460	176.0	94.1	1.15	30.38	C, US
75	1800	365T	LM80033	C/A	11,671	CCF4P75T62YAP5	1025	200/400	—	94.1	1.15	—	C, US
75	1800	365T	LM80092	√	11,671	CCF4P75T61YAP5	1025	208-230/460	176.0	94.1	1.15	32.50	C, US
100	3600	405TS	LM80034	C/A	16,270	CCF2P100TS62YAP5	1239	200/400	—	94.1	1.15	—	C, US
100	3600	405TS	LM80093	√	16,270	CCF2P100TS61YAP5	1239	208-230/460	224.0	94.1	1.15	34.12	C, US
100	1800	405TS	LM80191	C/A	14,102	CCF4P100TS62YAP5	1267	200/400	172.0	94.5	1.15	30.38	C, US
100	1800	405TS	LM80192	C/A	14,102	CCF4P100TS61YAP5	1267	208-230/460	224.0	94.5	1.15	32.62	C, US
100	1800	405T	LM80035	C/A	14,102	CCF4P100T62YAP5	1267	200/400	—	94.5	1.15	—	C, US
100	1800	405T	LM80094	C/A	14,102	CCF4P100T61YAP5	1267	208-230/460	224.0	94.5	1.15	37.12	C, US
125	3600	444TS	LM80036	C/A	19,817	CCF2P125TS6011PYAP5	1750	400	—	94.5	1.15	—	C, US
125	3600	444TS	LM80095	√	19,817	CCF2P125TS64PYAP5	1750	460	—	94.5	1.15	—	C, US
125	1800	444TS	LM80193	C/A	18,848	CCF4P125TS6011PYAP5	1805	400	167.0	94.5	1.15	39.60	C, US
125	1800	444TS	LM80194	C/A	18,848	CCF4P125TS64PYAP5	1805	460	142.0	94.5	1.15	37.60	C, US
125	1800	444T	LM80037	C/A	18,848	CCF4P125T6011PYAP5	1805	400	167.0	94.5	1.15	43.35	C, US
125	1800	444T	LM80096	√	18,848	CCF4P125T64PYAP5	1805	460	145.0	94.5	1.15	43.35	C, US
150	1800	445TS	LM80195	C/A	21,861	CCF4P150TS6011PYAP5	2116	400	—	95.0	1.15	—	C, US
150	1800	445TS	LM80196	C/A	21,861	CCF4P150TS64PYAP5	2116	460	170.0	95.0	1.15	39.60	C, US
150	1800	445T	LM80039	C/A	21,861	CCF4P150T6011PYAP5	2116	400	—	95.0	1.15	—	C, US
150	1800	445T	LM80098	√	21,861	CCF4P150T64PYAP5	2116	460	170.0	95.0	1.15	43.35	C, US
200	1800	445TS	LM80197	C/A	27,036	CCF4P200TS6011PYAP5	2311	400	—	95.0	1.15	—	C, US
200	1800	445TS	LM80198	C/A	27,036	CCF4P200TS64PYAP5	2311	460	224.0	95.0	1.15	—	C, US
200	1800	445T	LM80041	C/A	27,036	CCF4P200T6011PYAP5	2311	400	—	95.0	1.15	—	C, US
200	1800	445T	LM80100	C/A	27,036	CCF4P200T64PYAP5	2311	460	224.0	95.0	1.15	43.35	C, US
250	1800	449TS	LM80199	C/A	32,271	CC449F4P250TS6011PYAP5	2600	400	—	93.0	1.15	—	C, US
250	1800	449TS	LM80200	C/A	32,271	CC449F4P250TS64PYAP5	2600	460	290.0	95.0	1.15	48.09	C, US
250	1800	449T	LM80043	C/A	32,271	CC449F4P250T6011PYAP5	2600	400	—	95.4	1.15	—	C, US
250	1800	449T	LM80102	√	32,271	CC449F4P250T64PYAP5	2600	460	290.0	95.0	1.15	51.85	C, US
300	1800	449TS	LM80201	C/A	33,741	CCF4P300TS6011PYAP5	3041	400	385.0	95.4	1.15	48.09	C, US
300	1800	449TS	LM80202	C/A	33,741	CCF4P300TS64PYAP5	3041	460	335.0	95.4	1.15	48.09	C, US
300	1800	449T	LM80045	C/A	33,741	CCF4P300T6011PYAP5	3041	400	385.0	95.4	1.15	51.86	C, US
300	1800	449T	LM80018	√	33,741	CCF4P300T64PYAP5	3041	460	335.0	95.4	1.15	51.86	C, US
350	1800	449TS	LM80203	C/A	34,943	CCF4P350TS6011PYAP5	3202	400	—	93.0	1.15	—	C, US
350	1800	449TS	LM80204	C/A	34,943	CCF4P350TS64PYAP5	3202	460	400.0	95.4	1.15	48.09	C, US
350	1800	449T	LM80047	C/A	34,943	CCF4P350T6011PYAP5	3202	400	—	95.4	1.15	—	C, US
350	1800	449T	LM80020	C/A	34,943	CCF4P350T64PYAP5	3202	460	400.0	95.4	1.15	51.88	C, US
400	1800	5011L	LM80049	C/A	72,491	CC5011F4P400L6011PYAP5	5500	400	—	95.8	1.15	—	C, US
400	1800	449T	LM80022t	√	72,491	CC5011F4P400L64PYAP5	5500	460	448.0	95.8	1.15	51.85	C, US
450	1800	5011L	LM80082	C/A	74,520	CC5011F4P450L6011PYAP5	5500	400	—	95.8	1.15	—	C, US
450	1800	5011L	LM80083±	√	74,520	CC5011F4P450L64PYAP5	5500	460	495.0	96.2	1.15	70.94	C, US

Shaded model numbers are cast iron frame

♥ Note listing on inside back flap

Specifications are subject to change without notice

* Full load amps at lowest listed voltage
C/A - Check Availability



Pump Motors
Washguard Motors
Agricultural Duty Motors
HVAC / Fan Motors
Special Voltage Motors
Definite Purpose Motors
Brake Motors
IEC Motors
DC Motors

Pump Motors

Hydraulic Pump SAE Motors

Our highly engineered pump motor is equipped with a special patent pending regreasing system and flange with interchangeable SAE pump pads and shaft bushings. The special flange will adapt to SAE A to F pump pads. The motor shafts have a standard machined bore that will adapt to a spline or internal keyway shaft extensions.

Features:

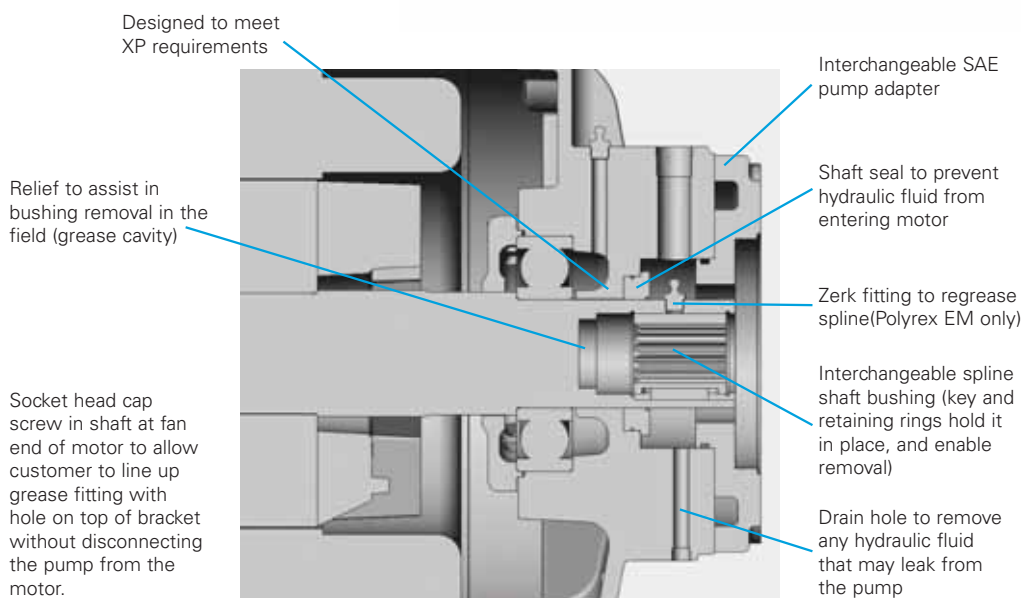
- 0.50–350 Hp
- 2 & 4 pole
- TEFC and XP¹ enclosures
- Cast iron construction
- Ball Bearings
- Standard efficiency
- NEMA design B
- IP55 standard (IP56 by request)
- 1.15 service factor
- 60 Hz and 50 Hz²
- SAE A, B and C flanges
- 2 & 4 bolt configurations
- Voltage
 - 208–230/460V (48–210 frames)
 - 230/460V (250–400 frame)
 - 460V (3-leads only, 440 frame)
 - 575V (3-leads only)
- Shaft configurations
 - Interchangeable SAE shaft configurations with internal spline (SAE A, AA, B, BB, C, D, E and F)³
 - Internal keyway shaft extensions

¹ XP enclosures available by request

² 50 Hz models shall have a full or high mount frame

³ SAE flange combinations may vary based on frame size

Regreasing system and flange with interchangeable SAE pump pads and shaft bushings.



Contact your local sales office for more information





- USDA-approved white epoxy finish
- Stainless steel motors
- Encapsulated stainless steel motors available
- NEMA® and IEC flange motors
- Three phase, single phase and DC wash down duty motors
- AC and DC wash down gearmotors
- Rigid base and C face mount types
- BISSC approved designs
- Double lip contact seals and v-ring seals used for shaft seals
- Encapsulated and premium efficient models
- Washdown brakemotors and pump motors available
- UL recognized and CSA certified

Applications:

Designed to meet the demanding washdown conditions that you may find in food processing plants, chemical processing, pharmaceutical plants and the beverage and brewing industries.



Pump Motors

Washguard Motors

Agricultural Duty Motors

HVAC / Fan Motors

Special Voltage Motors

Definite Purpose Motors

Brake Motors

IEC Motors

DC Motors



Washguard® Motors

Broad Product Range

WhiteDuck

Enhanced performance in wet, humid areas



- Our original moisture-shedding “duck” motor
- Durable USDA-approved white epoxy finish
- Stainless steel shaft, conduit box cover, nameplate, fan guard
- Drains for all mounting orientations
- Meets IP55 enclosure protection

Washguard II Motors

Superior, extended life in severe environments



- Paint-free exterior—stainless frame and conduit box lid
- Specially processed endshields and conduit box housing
- Etched stainless steel nameplate
- Meets IP55 enclosure protection
- Drains for all mounting orientations

SSTDuck

Stainless Steel Tough for demanding wash down applications



- All exterior components of 300-Series stainless steel, including motor frame, endshield and conduit box castings
- Moisture resistant sealant between frame and endbells
- Full-fact nameplate is laser-etched on the motor frame
- Four locations for T-drains provided on each endshield
- Meets IP55 enclosure protection



Premium StainlessDuck

Maximum service in critically clean or corrosive environments



- All exterior components of 300-Series stainless steel
- Endshields o-ring sealed to frame
- Meets IP56 enclosure protection
- (SGRs) shaft grounding rings
- Laser etched full fact nameplate

ExtremeDuck® Ultra

Fully encapsulated motors designed for extreme washdown conditions



- Fully encapsulated stainless steel motor
- All exterior components are 300-Series stainless steel
- (SRGs) shaft grounding rings
- Meets IP69 enclosure protection
- 360° rotatable conduit box
- Full fact nameplate is laser etched



THE MOTORS THAT STAND UP TO WASHDOWN.

LEESON® WASHGUARD® MOTORS FEATURES AT A GLANCE



FEATURE	WHITE DUCK	WASHGUARD II	SST DUCK	STAINLESS DUCK	EXTREME DUCK® ULTRA
SEALING ADVANTAGES					
Complete motor encapsulation					■
Interior corrosion protection	■	■	■	■	■
Motor breather plugs/drain plugs	■	■	■	■	Not needed for total encapsulation
Shaft seals on both ends of TEFC motors	■	■	■	■	■
Two-piece shaft seal					■
Viton®* seals between endbells and frame				■	■
O-ring sealed openings				■	■
Potted lead entrance					■
INSTALLATION AND MAINTENANCE					
Color-coded leads					■
Non-wicking lead wires					■
Sealed bearings	■	■	■	■	■
Internally locked shaft-end bearing	■	■	■	■	■
Screw-on conduit box cover				■ ①	■
360° rotatable conduit box					■
Q-Car™ rotor cartridge change-out				■	■
CERTIFICATIONS					
Nameplate permanently etched in frame			■	■	■
60Hz and 50Hz data on nameplate	■	■	■	■	■
CE mark on nameplate	■	■	■	■	■
Standard motors built with Inverter-rated Insulation System and marked on nameplate (1 HP and higher)	■	■	■	■	■
IP Ratings	IP55	IP55	IP55	IP56	IP69
UL, CSA listed	■	■	■	■	■
BISCC approved		■			■
SPECIAL CONSIDERATIONS					
Pump motor designs	■			■	
Brakemotor designs	■			■	
DC motors available	■			■	
Metric designs available				■	■
Local inventory support	■	■	■	■	■

① 56/143/145T Frame Ratings

EXTREME DUCK ULTRA HANDLES THE HARSHTEST WASHDOWN ENVIRONMENTS.

1. Poultry processing plants.
2. Cheese processing plants.
3. Water bottling plants.
4. Conveying for bottling industry for breweries.
5. Chemical processing plants.
6. Pharmaceutical plants.
7. Brewery equipment.
8. Seafood processing plants.



Viton is believed to be the trademark of hemours Company, and are not owned or controlled by Regal Beloit Corporation.

Pump Motors

Washguard Motors

Agricultural Duty Motors

HVAC / Fan Motors

Special Voltage Motors

Definite Purpose Motors

Brake Motors

IEC Motors

DC Motors



WASHGUARD MOTORS ARE BUILT TO HANDLE HIGH-PRESSURE WASHDOWNS!*

Stainless-steel or white polypropylene fan guard on all Washguard motor frames.

Composite fan is chemically-inert and static-free. Fan is positively positioned on shaft on TEFC designs only.

USDA-approved, white epoxy finish for superior protection and resistance to caustic cleaning solutions.

Encapsulated starting switch (single-phase Washguard motors) uses a patented, field-proven design that is immune to moisture, shock and vibration. No moving parts or exposed contacts to become corroded or inoperable.

Moisture-resistant shaft system includes 303 stainless-steel shaft and lubricated, spring-loaded contact seals in each endshield. Patented V-ring Forsheda® seal on shaft end to deflect water (see inset). Double-sealed, oversized bearings lubricated with Exxon® POLYREX® EM high temperature, moisture-resistant lubricant. Bearing cavities packed to further prevent entrance of moisture.

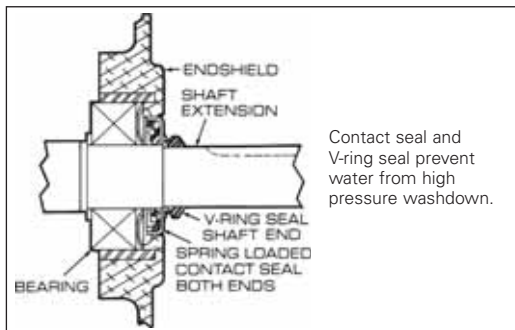
Stainless-steel, "full-fact" nameplate includes information on motor efficiency and connections. Readable even after repeated washdowns.

Cast, oversized conduit box with tough, high-temperature nitrile gaskets and stainless-steel cover and hardware. Oversized design with threaded entrance. All machined fits are sealed and nylon gaskets are used under bolt heads.

Interior coatings protect against moisture and corrosion. Frame, base, endshields, rotor, and interior components are protected by enamel and polyester compounds of outstanding adhesion and resistance to moisture, acids, alkalis, and oils. High temperature, moisture resistant IRIS® insulation system assures long life on inverter service. Windings are immersed and cured in polyester insulating compound.

Four condensate drains in each endshield (at three, six, nine, and twelve o'clock) purge condensate and water which may enter the motor.

Washguard White Epoxy Model Shown



* Also excellent for applications requiring a motor that is "tropicalized"!



Forsheda is believed to be the trademark or trade name of Trelleborg Forsheda Sweden AB and is not owned or controlled by Regal Beloit Corporation. Polyrex and Exxon are believed to be trademarks or trade names of Exxon Mobil Corporation, and is not owned or controlled by Regal Beloit Corporation.



Washguard® Motors

Single Phase - White Epoxy Painted



Single Phase - TEFC - Rigid Base - Featuring Electronic Solid State Encapsulated Switch

HP	SYN RPM 60 Hz	NEMA Frame	Catalog Number	Stock	List Price	Model Number	App. Wgt. (lbs)	Voltage	F. L. Amps @ 230 V	Service Factor	"C" Dim. (Inches)	♥Notes
1/2	1800	56	112431.00	√	774	C6C17WB1	27	115/208-230	4.4	1.15	10.50	S, US
3/4	1800	56	112432.00	√	911	C6C17WB2	34	115/208-230	5.4	1.15	11.25	S, US
1	1800	56	112626.00	√	1043	C6C17WB3	36	115/208-230	6.4	1.15	11.75	S, US
1	1800	143T	120589.00	√	1043	C143C17WB1	37	115/208-230	6.4	1.15	12.43	S, US
1 1/2	1800	145T	120590.00	√	1,328	C145C17WB1	50	115/208-230	9.5	1.15	13.43	S, US
2	1800	182T	131571.00	C/A	1,925	C182C17WB3	63	115/208-230	12.6	1.15	13.46	S, MX

C/A - Check Availability

♥ Note listing on inside back flap
Specifications are subject to change without notice

Single Phase - TEFC - C Face With Base - Featuring Electronic Solid State Encapsulated Switch

HP	SYN RPM 60 Hz	NEMA Frame	Catalog Number	Stock	List Price	Model Number	App. Wgt. (lbs)	Voltage	F. L. Amps @ 230 V	Service Factor	"C" Dim. (Inches)	♥Notes
1/3	3600	56C	113580.00	√	764	C6C34WK2	30	115/208-230	2.6	1.15	10.62	S, US
1/3	1800	56C	112526.00	√	774	C6C17WK2	24	115/208-230	3.2	1.15	10.37	S, US
1/2	3600	56C	113581.00	√	774	C6C34WK3	28	115/208-230	3.8	1.15	10.37	S, US
1/2	1800	56C	112527.00	√	802	C6C17WK3	26	115/208-230	4.4	1.15	10.87	S, US
3/4	3600	56C	113582.00	√	785	C6C34WK4	28	115/208-230	5.0	1.15	11.37	S, US
3/4	1800	56C	112528.00	√	910	C6C17WK4	33	115/208-230	5.4	1.15	11.62	S, US
1	3600	56C	113583.00	√	787	C6C34WK6	34	115/208-230	6.0	1.15	11.87	S, US
1	1800	56C	112529.00	√	1,046	C6C17WK5	36	115/208-230	6.4	1.15	12.12	S, US
1 1/2	3600	56C	113584.00	√	1,152	C6C34WK5	36	115/208-230	8.5	1.15	12.37	S, US
1 1/2	1800	56HC	113300.00	√	1,332	C6C17WK6	45	115/208-230	9.5	1.15	13.37	S, US
2	3600	56HC	114637.00	√	1,328	C6C34WK9	46	115/208-230	10.0	1.00	13.37	S, US

♥ Note listing on inside back flap
Specifications are subject to change without notice



Single Phase - TEFC - C Face Less Base - Featuring Electronic Solid State Encapsulated Switch

HP	SYN RPM 60 Hz	NEMA Frame	Catalog Number	Stock	List Price	Model Number	App. Wgt. (lbs)	Voltage	F. L. Amps @ 230 V	Service Factor	"C" Dim. (Inches)	♥Notes
1/3	3600	56C	114310.00	√	759	C6C34WC2	28	115/208-230	2.6	1.15	10.62	S, US
1/3	1800	56C	114311.00	√	771	C6C17WC2	26	115/208-230	3.2	1.15	10.37	S, US
1/2	3600	56C	114312.00	√	771	C6C34WC3	28	115/208-230	3.8	1.15	10.62	S, US
1/2	1800	56C	114313.00	√	791	C6C17WC3	25	115/208-230	4.4	1.15	10.87	S, US
3/4	3600	56C	114314.00	√	774	C6C34WC4	34	115/208-230	5.0	1.15	11.37	S, US
3/4	1800	56C	114315.00	√	914	C6C17WC4	34	115/208-230	5.4	1.15	11.37	S, US
1	3600	56C	114316.00	√	779	C6C34WC5	32	115/208-230	6.0	1.15	11.62	S, US
1	1800	56C	114317.00	√	1,037	C6C17WC5	32	115/208-230	6.4	1.15	12.12	S, US
1 1/2	3600	56C	114318.00	√	1,250	C6C34WC6	39	115/208-230	8.5	1.15	12.37	S, US
1 1/2	1800	56C	114319.00	√	1,328	C6C17WC6	46	115/208-230	9.5	1.15	13.37	S, US

♥ Note listing on inside back flap
Specifications are subject to change without notice



Pump Motors
Washguard Motors
Agricultural Duty Motors
HVAC / Fan Motors
Special Voltage Motors
Definite Purpose Motors
Brake Motors
IEC Motors
DC Motors

Washguard® Motors

White Epoxy Painted - Three Phase



Three Phase - TENV and TEFC C Face Less Base

HP	SYN RPM 60 Hz	NEMA Frame	Catalog Number	Stock	List Price	Model Number	App. Wgt. (lbs)	Voltage	F. L. Amps @ 230 V	% FL. Eff.	Service Factor	"C" Dim. (Inches)	♥Notes
1/4	1800	56C	113649.00	√	741	C6T17VC5	22	208-230/460	1.1	68.0	1.15	9.56	S, US, 12
1/3	3600	56C	116640.00	√	765	C6T34VC16	19	208-230/460	1.1	77.0	1.15	10.06	S, US, 12
1/3	1800	56C	113954.00	√	787	C6T17VC6	22	208-230/460	1.3	72.0	1.15	9.56	S, US, 12
1/3	1800	56C	116642.00	√	787	C6T17WC23	19	208-230/460	1.7	68.0	1.15	10.37	S, US, 13
1/2	3600	56C	116643.00	√	790	C6T34VC17	22	208-230/460	1.6	82.5	1.15	10.56	S, US, 12
1/2	1800	56C	113473.00	√	811	C6T17VC4	25	208-230/460	1.8	78.5	1.15	10.06	S, US, 12
1/2	1800	56C	116644.00	√	811	C6T17WC24	23	208-230/460	2.0	74.0	1.15	10.87	S, US, 13
3/4	3600	56C	113022.00	√	822	C6T34VC1	31	208-230/460	2.4	84.0	1.15	11.06	S, US, 12
3/4	1800	56C	113019.00	√	939	C6T17VC1	31	208-230/460	2.5	80.0	1.15	10.56	S, US, 12
3/4	1800	56C	116645.00	√	939	C6T17FC204	28	208-230/460	2.8	77.0	1.15	10.87	S, US, 13
1	3600	56C	113023.00	√	957	C6T34VC2	38	230/460	2.6	77.0	1.15	11.56	S, US, 12
1	1800	56C	119468.00	√	1,049	C6T17WC380	35	208-230/460	3.2	85.5	1.15	12.87	S, US, 13
1	1800	143TC	122179.00	√	1,067	C143T17WC130	38	208-230/460	3.2	85.5	1.15	12.93	S, US, 13
1 1/2	3600	56C	113024.00	√	1,016	C6T34VC3	45	230/460	3.8	84.0	1.15	12.56	S, US, 12
1 1/2	1800	56C	119469.00	√	1,080	C6T17WC51	40	208-230/460	4.8	86.5	1.15	13.37	S, US, 13
1 1/2	1800	145TC	122180.00	√	1,090	C145T17WC42	43	208-230/460	4.8	86.5	1.15	13.43	S, US, 13
2	3600	56C	119472.00	√	1,277	C6T34WC27	41	208-230/460	4.8	85.5	1.00	13.37	S, US, 13
2	3600	145TC	122183.00	√	1,314	C145T34WC22	44	208-230/460	4.8	85.5	1.15	13.43	S, US, 13
2	1800	56C	119471.00	√	1,298	C6T17WC383	50	208-230/460	5.8	86.5	1.15	13.87	S, US, 13
2	1800	145TC	122182.00	√	1,350	C145T17WC131	60	208-230/460	5.8	86.5	1.15	13.93	S, US, 13
3	3600	56C	119473.00	√	1,598	C6T34WC28	44	208-230/460	8.0	86.5	1.15	13.62	S, US, 13
3	3600	145TC	122184.00	√	1,628	C145T34WC23	57	208-230/460	8.0	86.5	1.15	13.68	S, US, 13
3	1800	182TC	122184.00	√	1,628	C182T17WC13	57	208-230/460	8.0	86.5	1.15	13.68	S, US, 13
5	3600	184TC	132441.00	√	2,136	C184T34WC10	58	230/460	12.0	88.5	1.15	14.97	S, US, 13
5	1800	184TC	132440.00	√	2,083	C184T17WC10	67	230/460	12.6	89.5	1.15	15.47	S, US, 13
7 1/2	3600	213TC	141267.00	√	2,625	C213T17WC5	147	230/460	18.6	89.5	1.00	18.77	S, US, 13
7 1/2	1800	213TC	141266.00	√	2,637	C213T17WC4	135	230/460	19.6	91.7	1.15	18.77	S, US, 13
10	3600	215TC	141269.00	√	3,174	C215T34WC5	124	230/460	23.6	90.2	1.15	20.27	S, US, 13
10	1800	215TC	141268.00	√	3,156	C215T17WC4	150	230/460	26.4	91.7	1.15	20.27	S, US, 13
15	3600	215TC	G140738.00	D	3,872	C215T34WC4	156	230/460	36.0	90.2	1.15	20.58	S, US, 13
15	3600	215TC	141357.00	√	3,919	C215T34WC8	156	230/460	35.0	91.0	1.15	20.58	S, US, 13

Green items are Premium Efficient

D - Item to be discontinued once inventory is depleted

Note 12 - TENV

Note 13 - TEFC

♥ Note listing on inside back flap
Specifications are subject to change without notice



Washguard® Motors

White Epoxy Painted - Three Phase



Three Phase - TEFC - Rigid Base

HP	SYN RPM 60 Hz	NEMA Frame	Catalog Number	Stock	List Price	Model Number	App. Wgt. (lbs)	Voltage	F. L. Amps @ 230 V	% F.L. Eff.	Service Factor	"C" Dim. (Inches)	♥Notes
1/2	1800	56	112427.00	√	797	C6T17WB6	27	208-230/460	2.0	74.0	1.15	10.50	S, US
3/4	1800	56	112428.00	√	832	C6T17WB7	30	208-230/460	2.8	77.0	1.15	10.50	S, US
1	1800	56	119475.00	√	1,077	C6T17WB18	57	208-230/460	3.2	85.5	1.15	12.25	S, US
1	1800	143T	121865.00	√	1,100	C143T17WB4	39	230/460	3.2	85.5	1.15	13.18	S, US
1 1/2	1800	145T	121869.00	√	1,102	C145T17WB23	44	230/460	4.8	86.5	1.15	13.43	S, US
2	1800	145T	121866.00	√	1,370	C145T17WB22	48	230/460	5.8	86.5	1.15	13.93	S, US
3	3600	182T	132388.00	C/A	1,877	C182T34WB1	74	208-230/460	7.6	86.5	1.25	13.96	S, MX
3	1800	182T	132196.00	√	1,841	C182T17WB10	78	230/460	7.8	89.5	1.15	14.46	S, MX
5	3600	184T	132202.00	√	2,105	C184T34WB5	89	230/460	12.0	88.5	1.25	14.96	S, MX
5	1800	184T	132197.00	√	2,105	C184T17WB8	90	230/460	12.6	89.5	1.15	13.96	S, MX
7 1/2	3600	184T	132306.00	C/A	2,625	C184T34WB6	87	230/460	17.6	89.5	1.15	15.96	S, MX
7 1/2	3600	S213T	132204.00	C/A	2,625	C184T34WB6	87	230/460	17.6	89.5	1.15	16.59	S, MX
7 1/2	1800	213T	140819.00	√	2,672	C213T17WB6	161	230/460	21.6	91.7	1.25	18.71	S, MX
10	1800	215T	140820.00	√	3,195	C215T17WB5	181	230/460	26.8	91.7	1.25	19.71	S, MX

Green items are Premium Efficient

C/A - Check Availability

♥ Note listing on inside back flap
Specifications are subject to change without notice

Pump Motors

Washguard Motors

Agricultural Duty Motors

HVAC / Fan Motors

Special Voltage Motors

Definite Purpose Motors

Brake Motors

IEC Motors

DC Motors



Washguard® Motors

White Epoxy Painted - Three Phase



Three Phase - TENV and TEFC C Face With Base

HP	SYN RPM 60 Hz	NEMA Frame	Catalog Number	Stock	List Price	Model Number	App. Wgt. (lbs)	Voltage	F. L. Amps @ 230 V	% F.L. Eff.	Service Factor	"C" Dim. (Inches)	♥Notes
1/4	1800	56C	112523.00	√	746	C6T17WK8	24	208-230/460	1.1	59.5	1.15	10.37	S, US, 13
1/3	3600	56C	116641.00	C/A	790	C6T34VK15	22	208-230/460	1.1	77.0	1.15	10.08	S, US, 12
1/3	1800	56C	112547.00	√	821	C6T17WK9	25	208-230/460	1.7	68.0	1.15	10.37	S, US, 13
1/2	3600	56C	113588.00	√	743	C6T34VK3	29	208-230/460	1.6	82.5	1.15	10.58	S, US, 12
1/2	1800	56C	113586.00	√	832	C6T17VK2	25	208-230/460	1.8	78.5	1.15	10.08	S, US, 12
1/2	1800	56C	112429.00	√	832	C6T17WK1	25	208-230/460	2.0	74.0	1.15	10.87	S, US, 13
1/2	1200	56C	115743.00	√	1,041	C6T11VK1	34	208-230/460	2.3	77.0	1.15	11.58	S, US, 12
3/4	3600	56C	113589.00	√	816	C6T34VK2	32	208-230/460	2.4	84.0	1.15	11.08	S, US, 12
3/4	1800	56C	113587.00	√	964	C6T17VK1	33	208-230/460	2.5	80.0	1.15	10.58	S, US, 12
3/4	1800	56C	112430.00	√	964	C6T17WK2	29	208-230/460	2.8	77.0	1.15	10.87	S, US, 13
3/4	1200	56HC	115744.00	√	1,132	C6T11VK2	47	208-230/460	3.0	78.5	1.15	13.06	S, US, 12
1	3600	56C	113590.00	√	955	C6T34VK4	37	230/460	2.6	77.0	1.15	11.58	S, US, 12
1	1800	56H	119476.00	√	1,114	C6T17WK44	38	208-230/460	3.2	85.5	1.15	12.87	S, US, 13
1	1800	143TC	121867.00	√	1,156	C143T17WK11	40	208-230/460	3.2	85.5	1.15	13.68	S, US, 13
1	1200	56HC	119478.00	√	1,392	C6T11WK11	43	208-230/460	3.8	82.5	1.15	13.37	S, US, 13
1 1/2	3600	56C	113591.00	√	1,053	C6T34VK5	47	230/460	3.8	84.0	1.15	12.56	S, US, 12
1 1/2	1800	145TC	121871.00	√	1,204	C145T17WK31	45	230/460	4.8	86.5	1.15	13.68	S, US, 13
1 1/2	1800	56C	119480.00	√	1,280	C6T17WK45	66	208-230/460	4.8	86.5	1.15	13.37	S, US, 13
1 1/2	1200	56HC	132563.00	√	1,778	C182T11WK1	79	230/460	6.0	87.5	1.15	15.96	S, US, 13
2	3600	56HC	119482.00	√	1,380	C6T34WK33	44	208-230/460	4.8	85.5	1.15	13.37	S, US, 13
2	3600	145TC	122185.00	√	1,390	C145T34WK37	34	208-230/460	4.8	85.5	1.15	13.43	S, US, 13
2	1800	56C	119483.00	√	1,400	C6T17WK46	38	208-230/460	5.8	86.5	1.15	13.87	S, US, 13
2	1800	145TC	121868.00	√	1,489	C145T17WK30	48	230/460	5.8	86.5	1.15	13.93	S, US, 13
3	3600	145TC	121870.00	√	1,760	C145T34WK28	48	230/460	8.0	89.5	1.15	13.68	S, US, 13
3	3600	182TC	132199.00	√	2,023	C182T34WK1	80	230/460	7.6	86.5	1.25	14.97	S, MX, 13
3	1800	182TC	132198.00	√	1,995	C182T17WK13	79	230/460	7.8	89.5	1.15	14.47	S, MX, 13
5	3600	184TC	132200.00	√	2,500	C184T34WK10	90	230/460	12.0	88.5	1.15	14.97	S, MX, 13
5	1800	184TC	132201.00	√	2,254	C184T17WK15	91	230/460	12.6	89.5	1.15	15.47	S, MX, 13
7 1/2	3600	184TC	132205.00	√	3,099	C184T34WK21	101	230/460	17.6	89.5	1.15	15.97	S, MX, 13
7 1/2	3600	213TC	141120.00	√	3,170	C213T34WK6	140	230/460	17.8	90.2	1.15	20.57	S, MX, 13
7 1/2	1800	213TC	140822.00	√	2,905	C213T17WK9	157	230/460	21.6	91.7	1.25	18.71	S, MX, 13
10	3600	215TC	140823.00	√	3,741	C215T34WK9	164	230/460	23.6	91.7	1.15	21.82	S, US, 13
10	1800	215TC	140821.00	√	3,302	C215T17WK9	179	230/460	26.8	91.7	1.25	19.71	S, MX, 13

Green items are Premium Efficient

C/A - Check Availability

Note 12 - TENV

Note 13 - TEFC

♥ Note listing on inside back flap
Specifications are subject to change without notice



Washguard® Motors

White Epoxy Painted - Three Phase



Three Phase - 575 Volts

Three Phase - TEFC - C Face With Base

HP	SYN RPM 60 Hz	NEMA Frame	Catalog Number	Stock	List Price	Model Number	App. Wgt. (lbs)	Voltage	F. L. Amps @ 575 V	% F.L. Eff.	Service Factor	"C" Dim. (Inches)	♥Notes
1/4	1800	56C	112520.00	√	746	C6T17WK5	27	575	0.4	68.0	1.15	10.62	S, US
1/3	1800	56C	112521.00	√	772	C6T17WK6	25	575	0.7	68.0	1.15	10.37	S, US
1/2	1800	56C	112483.00	√	832	C6T17WK3	31	575	0.8	74.0	1.15	10.62	S, US
3/4	1800	56C	112484.00	√	964	C6T17WK4	27	575	1.1	77.0	1.15	10.87	S, US
1	1800	56C	119479.00	√	1,210	C6T17WK381	36	575	1.3	85.5	1.15	12.62	S, US
2	1800	145TC	122330.00	√	1,489	C145T17WK60	45	575	2.3	86.5	1.15	13.93	S, US

Green items are Premium Efficient

♥ Note listing on inside back flap
Specifications are subject to change without notice



Three Phase - TEFC - JM Pump

HP	SYN RPM 60 Hz	NEMA Frame	Catalog Number	Stock	List Price	Model Number	App. Wgt. (lbs)	Voltage	F. L. Amps @ 230 V	% F.L. Eff.	Service Factor	"C" Dim. (Inches)	♥Notes
1	1800	143JM	122186.00	C/A	1,431	C143T17WK15	47	208-230/460	3.2	85.5	1.15	15.43	S, US
1 1/2	3600	143JM	122188.00	C/A	1,545	C143T34WK10	45	208-230/460	4.0	84.0	1.15	15.43	S, US
1 1/2	1800	145JM	122187.00	√	1,591	C145T17WK57	47	208-230/460	4.8	86.5	1.15	15.93	S, US
2	3600	145JM	122189.00	√	1,901	C145T34WK38	50	208-230/460	4.8	85.5	1.15	15.93	S, US
2	1800	145JM	122190.00	√	1,656	C145T17WK58	54	208-230/460	5.8	86.5	1.15	16.43	S, US
3	3600	145JM	122191.00	√	1,897	C145T34WK39	52	208-230/460	8.0	86.5	1.15	16.43	S, US
3	1800	182JM	G131967.00	D	1,951	C182T17WK15	70	230/460	8.6	87.5	1.15	16.13	S, MX
3	1800	182JM	132442.00	√	2,107	C182T17WK20	90	208-230/460	7.8	89.5	1.15	16.13	S, MX
5	3600	184JM	132443.00	√	2,465	C184T34WK18	88	208-230/460	12.0	88.5	1.15	16.63	S, MX
5	1800	184JM	132444.00	√	2,255	C184T17WK24	89	208-230/460	12.6	89.5	1.15	16.63	S, MX
7 1/2	3600	184JM	132446.00	√	2,715	C184T34WK19	90	208-230/460	17.6	90.1	1.15	17.63	S, MX
7 1/2	1800	213JM	141270.00	√	3,036	C213T17WK17	135	230/460	19.6	91.7	1.15	21.40	S, MX
10	3600	215JM	141271.00	√	3,667	C215T34WK15	91	230/460	23.6	90.2	1.15	21.40	S, MX
10	1800	215JM	141272.00	√	3,476	C215T17WK18	168	230/460	26.4	91.7	1.15	22.90	S, MX
15	3600	215JM	141358.00	√	4,032	C215T34WK19	156	230/460	35.0	91.0	1.15	21.71	S, MX

Green items are Premium Efficient

♥ Note listing on inside back flap
Specifications are subject to change without notice

D - Item to be discontinued once inventory is depleted
C/A - Check Availability



Pump Motors

Washguard Motors

Agricultural Duty Motors

HVAC / Fan Motors

Special Voltage Motors

Definite Purpose Motors

Brake Motors

IEC Motors

DC Motors

Washguard® Jet Pump Motors



Wash down duty three phase jet pump motors for industrial service. These motors include all of the features of LEESON's White Duck® Washguard motors with the addition of a 56J threaded shaft for use on jet pumps. For demanding pump applications in wet, humid, or washdown environments.

Three Phase - TEFC - C Face Less Base - Threaded Shaft

HP	SYN RPM 60 Hz	NEMA Frame	Catalog Number	Stock	List Price	Model Number	App. Wgt. (lbs)	Voltage	F. L. Amps @ 230 V	% F.L. Eff.	Service Factor	"C" Dim. (Inches)	♥Notes
3/4	3600	56J	116774.00	√	824	C6T34WC14	23	208-230/460	2.4	75.5	1.15	11.37	S, US
1	3600	56J	116775.00	√	957	C6T34WC15	30	208-230/460	3.2	77.0	1.15	11.37	S, US
1 1/2	3600	56J	119459.00	√	1,102	C6T34WC24	36	208-230/460	4.0	84.0	1.15	12.87	S, US
2	3600	56J	119460.00	√	1,370	C6T34WC25	44	208-230/460	4.8	85.5	1.15	13.87	S, US
3	3600	56J	119462.00	√	1,404	C6T34WC26	47	208-230/460	8.0	86.5	1.15	14.37	S, US

Green items are Premium Efficient

♥ Note listing on inside back flap
Specifications are subject to change without notice

Three Phase - TEFC - C Face With Base - Threaded Shaft



HP	SYN RPM 60 Hz	NEMA Frame	Catalog Number	Stock	List Price	Model Number	App. Wgt. (lbs)	Voltage	F. L. Amps @ 230 V	% F.L. Eff.	Service Factor	"C" Dim. (Inches)	♥Notes
3/4	3600	56J	116779.00	√	845	C6T34WK12	24	208-230/460	2.4	75.5	1.15	11.37	S, US
1	3600	56J	116780.00	√	983	C6T34WK13	30	208-230/460	3.2	77.0	1.15	11.37	S, US
1 1/2	3600	56J	119458.00	√	1,125	C6T34WK30	36	208-230/460	4.0	84.0	1.15	12.87	S, US
2	3600	56J	119461.00	√	1,390	C6T34WK31	45	208-230/460	4.8	85.5	1.15	13.87	S, US
3	3600	56J	119463.00	√	1,423	C6T34WK32	47	208-230/460	8.0	86.5	1.15	14.37	S, US

Green items are Premium Efficient

♥ Note listing on inside back flap
Specifications are subject to change without notice





Washguard® Motors

Feather Picker Motors

Applications:

Replacement motors used in poultry feather picker machines

Features:

- Phosphatized or stainless steel shafts
- Metric motor has a phosphatized shaft - drilled and tapped
- Washdown duty features including shaft seals
- Extra high breakdown torques
- Conduit box at 12 o'clock
- IRIS Insulation system for extra protection and long life, especially in inverter-driven applications



Three Phase - TEFC - Rigid Base - Extreme Duck® Ultra- IP69 Rated

HP	SYN RPM 60 Hz	NEMA Frame	Catalog Number	Stock	List Price	Model Number	App. Wgt. (lbs)	Voltage	F. L. Amps @ 230 V	% F.L. Eff.	Service Factor	"C" Dim. (Inches)	♥Notes
2	1800	145TC	122308.00	√	2,680	C145T17WK64	75	230/460	5.8	86.5	1.15	13.25	Encapsulated
3	1800	145T	122472.00	√	2,741	CZ145T17UK3	64	230/460	8.8	84.0	1.00	13.25	Encapsulated

Green items are Premium Efficient

Three Phase - TEFC - Rigid Base

HP	SYN RPM 60 Hz	NEMA Frame	Catalog Number	Stock	List Price	Model Number	App. Wgt. (lbs)	Voltage	F. L. Amps @ 230 V	% F.L. Eff.	Service Factor	"C" Dim. (Inches)	♥Notes
2	1800	145T	122009.00	√	2,642	C145T17WK49	58	230/460	5.8	86.5	1.25	13.25	Stainless Steel
2	1800	145T	121934.00	√	1,118	C145T17FB87	54	230/460	5.8	86.5	1.25	13.72	White Epoxy
2	1200	184TZ	132246.00	√	1,703	C184T11FB24	96	230/460	6.4	88.5	1.50	14.96	White Epoxy
3	1800	56HZ	119783.00	√	1,259	C6T17WK48	48	208-230/460	8.6	82.5	1.00	13.93	White Epoxy
3	1800	145T	121944.00	√	1,259	C145T17FB92	46	208-230/460	8.6	82.5	1.00	13.72	White Epoxy

Green items are Premium Efficient

♥ Note listing on inside back flap
Specifications are subject to change without notice



Pump Motors

Washguard Motors

Agricultural Duty Motors

HVAC / Fan Motors

Special Voltage Motors

Definite Purpose Motors

Brake Motors

IEC Motors

DC Motors

Washguard® Motors

Washdown Duty Brakemotors

White Epoxy Painted



Washguard Brakemotors - TENV/TEFC - C Face With Base

HP	SYN RPM 60 Hz	NEMA Frame	Brake Rating (ft lbs)	Catalog Number	Stock	List Price	Model Number	App. Wgt. (lbs)	Voltage	F. L. Amps @ 230 V	% FL. Eff.	Service Factor	"C" Dim. (Inches)	♥Notes
1/3	1800	56C	3	116466.00	C/A	1,636	C6T17VK28	40	208-230/460	1.3	72.0	1.15	14.00	S, US, 12
1/2	1800	56C	3	116467.00	√	1,669	C6T17VK30	42	208-230/460	1.8	78.5	1.15	14.50	S, US, 12
3/4	1800	56C	6	116468.00	C/A	1,979	C6T17VK29	44	208-230/460	2.5	80.0	1.15	15.00	S, US, 12
1	1800	56HC	6	119486.00	√	2,148	C6T17WK47	53	208-230/460	2.8	85.5	1.15	17.00	S, US, 13
1	1800	143TC	6	122193.00	√	2,168	C143T17WK14	53	208-230/460	2.8	85.5	1.15	17.02	S, US, 13
1 1/2	1800	145TC	10	122195.00	√	2,957	C145T17WK55	55	208-230/460	4.8	86.5	1.15	18.50	S, US, 13
2	1800	145TC	10	122197.00	C/A	3,046	C145T17WK56	67	208-230/460	5.8	86.5	1.15	19.00	S, US, 13

Green items are Premium Efficient

C/A - Check Availability
 Note 12 - TENV
 Note 13 - TEFC

♥ Note listing on inside back flap
 Specifications are subject to change without notice



Washguard Brakemotors - TENV/TEFC - C Face Less Base

HP	SYN RPM 60 Hz	NEMA Frame	Brake Rating (ft lbs)	Catalog Number	Stock	List Price	Model Number	App. Wgt. (lbs)	Voltage	F. L. Amps @ 230 V	% FL. Eff.	Service Factor	"C" Dim. (Inches)	♥Notes
1/3	1800	56C	3	116462.00	√	1,579	C6T17VC43	39	208-230/460	1.3	72.0	1.15	14.00	S, US, 12
1/2	1800	56C	3	116463.00	√	1,618	C6T17VC42	41	208-230/460	1.8	78.5	1.15	14.50	S, US, 12
3/4	1800	56C	6	116464.00	√	1,925	C6T17VC44	43	208-230/460	2.5	80.0	1.15	15.00	S, US, 12
1	1800	56C	6	119485.00	√	2,123	C6T17WC54	50	208-230/460	2.8	85.5	1.15	17.00	S, US, 13
1	1800	143TC	6	122192.00	√	2,137	C143T17VC9	52	208-230/460	3.2	85.5	1.15	17.21	S, US, 13
1 1/2	1800	145TC	10	122194.00	√	2,920	C145T17WC44	55	208-230/460	4.8	86.5	1.15	18.50	S, US, 13
2	1800	145TC	10	122196.00	√	2,995	C145T17WC45	65	208-230/460	5.8	86.5	1.15	19.00	S, US, 13

Green items are Premium Efficient

Note 12 - TENV
 Note 13 - TEFC

♥ Note listing on inside back flap
 Specifications are subject to change without notice



Pump Motors
 Washguard Motors
 Agricultural Duty Motors
 HVAC / Fan Motors
 Special Voltage Motors
 Definite Purpose Motors
 Brake Motors
 IEC Motors
 DC Motors



Washguard® Motors

Wash down Duty Brakemotors

White Epoxy Painted

Pump Motors

Washguard Motors

Agricultural Duty Motors

HVAC / Fan Motors

Special Voltage Motors

Definite Purpose Motors

Brake Motors

IEC Motors

DC Motors



Washguard Coupler Brakes

Solid die-cast aluminum Stearns® NEMA® 4X coupler brake converts any TEFC or TENV 56C - 145TC motor to a fail-safe brakemotor by mounting between the C-face motor and driven equipment. Food safe white epoxy finish. BISSC Certified. Adds 5" to the overall length of 56C thru 145TC Washguard TEFC or TENV motors. Includes all mounting components.

For Both Single and Three Phase Motors

Motor Voltage 115/230V Single Phase	List Price	Motor Voltage 208-230/460V Three Phase	List Price	Cat. No. 575V Three Phase	List Price	Brake Rating (ft lbs)	Max HP @ 1725 RPM	Mounts to NEMA Frame	Coupler Brake Output Shaft and Face	App. Wgt. (lbs)
175566.00	1,446	175567.00	1,446	0	1,446	3	1	56C	58", 56C	13
175572.00	1,556	175573.00	1,556	0	1,556	6	2	56C/143-5TC	58", 56C	14

♥ Note listing on inside back flap
Specifications are subject to change without notice

Washguard Brake Kits

Kit of components including a Stearns NEMA 4X brake to convert 56 - 145T frame stock TEFC only motors to fail-safe brakemotors. Food safe white epoxy finish. BISSC Certified. Adds 5 1/8" to the overall length of 56 - 145T Washguard TEFC motors.



For 230/460V Three Phase and 230V Single Phase Motors

Brake Rating (ft lbs)	Mounts to NEMA Frame	Max. HP @ 1725rpm	Cat. No. 230/460 V Brake Coil Voltage	List Price	App. Wgt. (lbs)
3	56/143-5T	1	175771.00*	1,608	24
6	56/143-5T	2	175772.00*	1,694	36
10	56/143-5T	3	175773.00*	1,785	43

♥ Note listing on inside back flap
Specifications are subject to change without notice

*For 56/145 frame motors having a "B" for the suffix letter for the date code and having a face mount fan guard.

Washguard® Motors

Explosion Proof Washguard



NEW!

Features:

- USDA-approved finish
- Sealed bearings
- Interior corrosion protected
- Internally locked shaft-end bearing
- Shaft seals on both ends
- Cast iron frame & conduit box
- Rigid C face
- IP54 enclosure protection
- Potted leads
- Normally closed T-Stats
- Premium efficiency



Three Phase - C Face With Base

Division I, Division II, Class I, Groups C & D; Class II, Groups F & G - W/Conduit Box

HP	SYN RPM 60 Hz	NEMA Frame	Catalog Number	Stock	List Price	Model Number	App. Wgt. (lbs)	Voltage	Over-load Prot.	F. L. Amps @ 230 V	% FL. Eff.	Service Factor	"C" Dim. (Inches)	♥Notes
1/2	1800	56CY	119955.00	√	1,350	C6T17EK12	32	230/460	T-Stat	1.6	80.0	1.00	11.11	C, US, 12
3/4	1800	56CY	119956.00	√	1,377	C6T17EK13	35	230/460	T-Stat	2.4	81.5	1.00	11.11	C, US, 13
1	1800	56CY	119957.00	√	1,580	C6T17EK14	49	230/460	T-Stat	3.0	85.5	1.00	13.36	C, US, 13
1	1800	143TC	122395.00	√	1,580	C143T17EX1	50	230/460	T-Stat	3.0	85.5	1.00	13.42	C, US, 13
1 1/2	1800	56CY	119958.00	√	1,694	C6T17XK42	52	230/460	T-Stat	4.6	86.5	1.00	15.13	C, US, 13
1 1/2	1800	145TC	122396.00	√	1,694	C145T17EK10	53	230/460	T-Stat	4.8	86.5	1.00	15.19	C, US, 13
2	1800	145TC	122397.00	√	1,788	C145T17EK11	56	230/460	T-Stat	6.0	86.5	1.00	13.42	C, US, 12

Green items are Premium Efficient

C/A - Check Availability

Note: 56 frame motors will have a non-NEMA® BA dimension - BA of a 143/5T frame motor

♥ Note listing on inside back flap
Specifications are subject to change without notice



Washguard® Motors

DC Washdown™ Duty Motors

White Epoxy Painted



DC - SCR Rated 90 & 180 Volts - IP55 - C Face with Removable Base

HP	SYN RPM 60 Hz	NEMA Frame	Catalog Number	Stock	List Price	Model Number	App. Wgt. (lbs)	Arm. Volts DC	Control Volts AC Input	FL. Amps DC	"C" Dim. (Inches)	♥Notes
1/4	1750	S56C	108423.00	√	957	C4D17VK9C	26	90	115	2.7	10.69	S, US, 12
1/4	1750	SS56C	098375.00	C/A	957	C42D17VK1	26	180	230	1.4	10.22	S, US, 12
1/3	1750	S56C	108424.00	√	1,012	C4D17VK10	29	90	115	3.5	11.69	S, US, 12
1/3	1750	SS56C	098376.00	C/A	1,012	C42D17VK2	30	180	230	1.7	10.22	S, US, 12
1/2	1750	S56C	108226.00	√	1,136	C4D17VK1	41	90	115	5.0	13.69	S, US, 12
1/2	1750	S56C	108227.00	√	1,136	C4D17VK2	46	180	230	2.4	13.69	S, US, 12
3/4	1750	S56C	108228.00	√	1,379	C4D17VK3	53	90	115	7.0	15.69	S, US, 12
3/4	1750	S56C	108229.00	√	1,379	C4D17VK4	50	180	230	3.7	15.69	S, US, 12
1	1750	S56C	108230.00	√	1,679	C4D17WK1	50	90	115	10.0	15.81	S, US, 13
1	1750	S56C	108231.00	√	1,679	C4D17WK2	51	180	230	5.0	14.81	S, US, 13
1 1/2	1750	S56C	108232.00	√	2,146	C4D17WK3	53	180	230	7.6	15.81	S, US, 13

C/A - Check Availability
 Note 12 - TENV
 Note 13 - TEFC

♥ Note listing on inside back flap
 Specifications are subject to change without notice

Washguard - DC - IEC Frame

180 Volts - TENV IP55 - B5 Flange With Removable B3 Base

HP/ kW	Full Load RPM	NEMA Frame	Catalog Number	Stock	List Price	Model Number	App. Wgt. (lbs)	Arm. Volts DC	Control Volts AC Input	FL. Amps DC	"C" Dim. (Inches)	♥Notes
1/2 - .37	1750	71	098040.00	C/A	1,004	42D17VD1	25	180	230	2.5	10.69	S, US
3/4 - .55	1750	80	108407.00	D	1,361	4D17VD1	52	180	230	3.5	16.02	S, US

D - Item to be discontinued once inventory is depleted
 C/A - Check Availability

♥ Note listing on inside back flap
 Specifications are subject to change without notice

If base is removed, do not reinstall bolts without using washers to compensate for the thickness of base. These Washguard motors are modular design but stocked with B5 flange and B3 foot. The foot is removable. The B5 flange can be replaced with a B14 face or other diameter B5 flanges. All Washdown Duty motors have Class F insulation.



Pump Motors
 Washguard Motors
 Agricultural Duty Motors
 HVAC / Fan Motors
 Special Voltage Motors
 Definite Purpose Motors
 Brake Motors
 IEC Motors
 DC Motors

Washguard® Motors

DC Motors

NEMA Frame - Washguard® Duty - 12 & 24 Volts



Pump Motors

Washguard Motors

Agricultural Duty Motors

HVAC / Fan Motors

Special Voltage Motors

Definite Purpose Motors

Brake Motors

IEC Motors

DC Motors

General Specifications:

- Extended life in wet, high humid applications - IP55
- Design repels water from entering motor
- Internal components protected against rust and corrosion
- Frame, base, end shields, armature and interior components protected by enamel and polyester compounds of outstanding adhesion and resistance to moisture, acids, alkalies and oil

Features:

- 303 Stainless steel shaft resist corrosion
- Lubricated spring loaded contact seals prevent moisture from entering the motor
- Patented "V" ring Forsheda® seal deflects water
- Double sealed, oversize bearings with high temp lubricant
- Exterior and interior components protected against moisture, acids, alkalies and oil
- Cast conduit box for superior sealing includes:
 - Threaded entrance
 - Drain holes
 - Nitrile gaskets
- 304 stainless steel conduit box cover and fan cover
- Re-positionable drain plugs for use in multiple mounting positions
- Nylon seals at bolt heads for superior sealing
- Machined fits throughout
- Stainless steel data plate
- Chemically inert, static free fan with positive mounting insures it won't move
- Stainless steel fan guard
- USDA approved white epoxy finish

DC - Low Voltage Rated 12 & 24 Volts - TENV IP55- C Face with Removable Base

HP	Full Load RPM	NEMA Frame	Catalog Number	Stock	List Price	Model Number	App. Wgt. (lbs)	Arm. Volts DC	FL. Amps DC	"C" Dim. (Inches)	♥Notes
1/4	1750	S56C	109296.00	√	957	C4D18VK7	23	12	21.0	10.27	S, US, 12
1/3	1750	S56C	109297.00	√	1,099	C4D18VK8	26	12	27.0	10.77	S, US, 12
1/2	1750	S56C	109298.00	√	1,136	C4D18VK9	38	12	39.0	11.77	S, US, 12
1/2	1750	S56C	109299.00	√	1,102	C4D18VK10	43	24	20.0	11.77	S, US, 12
3/4	1750	S56C	109300.00	√	1,379	C4D18WK16	53	12	58.0	13.32	S, US, 13
3/4	1750	S56C	109301.00	√	1,458	C4D18WK14	50	24	29.0	12.82	S, US, 13
1	1750	S56C	109302.00	√	1,679	C4D18WK12	45	12	80.0	13.81	S, US, 13
1	1750	S56C	109303.00	√	1,630	C4D18WK13	42	24	39.0	13.82	S, US, 13
1 1/2	1750	S56C	109304.00	√	2,146	C4D18WK15	50	24	60.0	17.38	S, US, 13

Note 12 - TENV

Note 13 - TEFC

Specifications are subject to change without notice

♥ Note listing on inside back flap
Specifications are subject to change without notice





Washguard® Motors

SUB-FHP IP55 Washguard Motors

White Epoxy Painted

Pump Motors

Washguard Motors

Agricultural Duty Motors

HVAC / Fan Motors

Special Voltage Motors

Definite Purpose Motors

Brake Motors

IEC Motors

DC Motors

General Specifications:

Precision subfractional horsepower DC permanent magnet motors. Designed for use with fullwave nonfiltered SCR controls or battery supplied low voltage for adjustable speed applications requiring constant torque throughout the speed range.

Features:

- 303 Stainless steel shaft resists corrosion
- Lubricated spring loaded contact seals prevent moisture from entering the motor
- Double sealed, oversize bearings with high temp lubricant
- Exterior and interior components protected against moisture, acids, alkalies and oil
- Cast conduit box for superior sealing includes:
 - Threaded conduit entrance
 - Drain holes
 - Nitrile gaskets
 - 304 stainless steel conduit box cover
 - Stainless steel hardware
- USDA approved white epoxy finish
- Nylon seals at bolt heads for superior sealing
- O-ring sealed brush covers



90 Volts DC - TENV - Square Flange Less Feet

HP	Full Load RPM	NEMA Frame	Catalog Number	Stock	List Price	Model Number	App. Wgt. (lbs)	Arm. Volts DC	Control Volts AC Input	FL. Amps DC	"C" Dim. (Inches)	Notes
1/8	1800	31S	M1120181.00	√	595	M31D17VZ1	11	90	115	1.5	8.57	S, US
1/6	1800	31S	M1120183.00	√	604	M31D17VZ3	11	90	115	1.9	10.07	S, US
1/4	3600	32	M1120185.00	√	658	M32D25VC1	13	90	115	2.6	10.00	S, US

Note: M1120185.00 is a C Face mount

♥ Note listing on inside back flap Specifications are subject to change without notice



Low Voltage - 12 Volt - TENV - Square Flange or C Face

HP	Full Load RPM	NEMA Frame	Catalog Number	Stock	List Price	Model Number	App. Wgt. (lbs)	Arm. Volts DC	FL. Amps DC	"C" Dim. (Inches)	Notes
1/8	1800	31S	M1120182.00	√	621	M31D17VZ2	7	12	10.5	8.1	S, US
1/6	1800	31S	M1120184.00	√	628	M31D17VZ4	11	12	13.0	9.6	S, US
1/4	3600	32	M1120186.00	C/A	682	M32D25VC2	13	12	20.0	9.5	S, US

Note: M1120186.00 is a C Face mount
C/A - Check Availability

♥ Note listing on inside back flap Specifications are subject to change without notice



Washguard® Motors

IP55 Washguard Gearmotors - Parallel Shaft White Epoxy Painted



Pump
Motors

Washguard
Motors

Agricultural
Duty Motors

HVAC / Fan
Motors

Special Voltage
Motors

Definite
Purpose Motors

Brake Motors

IEC Motors

DC Motors

General Specifications - SCR Rated Gearmotors:

- Performance matched for continuous duty service over 60:1 speed range
- Constant torque throughout the range when powered by a full-wave unfiltered SCR-type adjustable speed control having a typical form factor of 1.3 to 1.4

General Specifications - Low Voltage Gearmotors:

- Performance matched for continuous duty service
- Designed for battery power or can be used with a low voltage controller with form factor up to 1.05

Features:

- Gearbox output shafts are coated with Microlon® 3300 fortified teflon for superior corrosion resistance
- Frame, endshields, armature and interior components protected by enamel and polyester compounds for resistance to moisture, acids, alkalies and oil
- Precision machined in-line steel gears
- First stage steel helical gear followed by spur-type gears
- Lubrication is permanent semi-fluid grease, reducing possibility of leakage
- Output shafts have needle bearings for high load capacities
- Gearbox shafts are hardened steel
- Cast conduit box with threaded conduit holes and nitrile gaskets keep water out
- Conduit box cover is made from 304 stainless steel
- For any condensation that may accumulate inside the motor, a one-way stainless steel vapor vent is provided
- All hardware is stainless steel
- Painted with white epoxy for superior corrosion resistance and protection
- Machined fits between the endbells and motor frame are sealed with gaskets
- Thru-bolt heads and nuts sealed with fiber washers
- O-rings under each threaded brush cover

Application Notes:

- Extended life in wet, high humidity applications
- Design repels water from entering motor
- Internal components protected against rust and corrosion
- Placing the gearmotor with the motor below the gearbox should be avoided to prevent leakage of lubricant into the motor should the motor shaft seal fail.
- Overhung load capacities shown are at center of output shaft
- Motor's stall torque could exceed recommended full load torques. A current limiting device such as an SCR control should be used to prevent damage. This issue is even more critical for low voltage motors, typically no controller is used since motor is connected directly to a battery, so some type of current limit or fusing should be considered.
- USDA approved white epoxy finish
- **Bison®/Dayton® direct interchange**

Microlon is a trademark of Micro Surface Corporation.
All rights reserved.

Teflon is a trademark of The Chemours Company.

Bison is believed to be the trademark or trade name of
Bison Gear & Engineering Corp.

Dayton is a trademark or trade name of Dayton Electric
Manufacturing. All Rights Reserved.





Washguard® Motors

IP55 AC Washguard Gearmotors

Parallel Shaft - White Epoxy Painted

Pump Motors

Washguard Motors

Agricultural Duty Motors

HVAC / Fan Motors

Special Voltage Motors

Definite Purpose Motors

Brake Motors

IEC Motors

DC Motors

Features:

- Single phase PSC designs include capacitor inside conduit box
- Placing the gearmotor with the motor below the gearbox should be avoided to prevent leakage of lubricant into the motor should the motor shaft seal fail.
- Shaft material coated with teflon/ceramic plating
- White epoxy painted motors
- O-rings and gaskets used for sealing
- Hardened worm-type gearing used
- Interior components protected against corrosion
- Ball bearings used in gear housing
- Sealed output shafts
- Output shafts have needle bearings for high load capacities
- UL listed and CSA certified
- **Bison®/Dayton® direct interchange**



P240 series AC Wash Down Duty Gearmotors

Output RPM	F.L. Torque (Lb.In.)	Input HP	Catalog Number	Stock	List Price	Model Number	Gearmotor Type & Frame	Ratio to 1	Voltage	Phase	F.L. Amps @ 230 V	Over-hung Load (Lbs.)
16	391	5/32	M1145138.00	√	1,121	CM38P17FZ39	P240	103	115/230	1	1.05	399
40	219	5/32	M1145139.00	√	1,172	CM38P17FZ40	P240	43	115/230	1	1.40	303
156	60	5/32	M1145140.00	√	1,029	CM38P17FZ41	P240	10.6	115/230	1	1.40	201
16	391	1/6	M1145144.00	√	1,172	CM38T17FZ20	P240	103	230	3	0.72	237
30	295	1/6	M1145145.00	√	1,172	CM38T17FZ21	P240	58	230	3	0.72	237

Specifications are subject to change without notice

Washguard® Motors

IP55 Washguard Gearmotors - Parallel Shaft

White Epoxy Painted



P300 Series - SCR RATED - 90V - Parallel Shaft - TENV - 1.0 Service Factor

Output RPM	FL Torque (Lb.In.)	Input HP	Catalog Number	Stock	List Price	Model Number	Gearmotor Type & Frame	Ratio to 1	DC Arm. Volts	Full Load Amps DC	Over-hung Load (Lbs.)
5	353	1/20	M1125261.00	✓	1,051	CM31D17VZ5	P303-31	336	90	0.8	565
31	220	1/8	M1125262.00	✓	1,080	CM31D17VZ6	P303-31	58	90	1.6	327
51	130	1/8	M1125263.00	✓	999	CM31D17VZ7	P302-31	35	90	1.6	277
94	77	1/8	M1125264.00	✓	999	CM31D17VZ8	P302-31	19	90	1.6	236
167	43	1/8	M1125265.00	✓	999	CM31D17VZ9	P302-31	11	90	1.6	197

Specifications are subject to change without notice

P	PB	X Inches	XL	XH
3.13	3.8	3.54	10.44	8.94
3.13	3.8	3.54	11.94	10.44
3.13	3.8	3.54	11.94	10.44
3.13	3.8	3.54	11.94	10.44
3.13	3.8	3.54	11.94	10.44

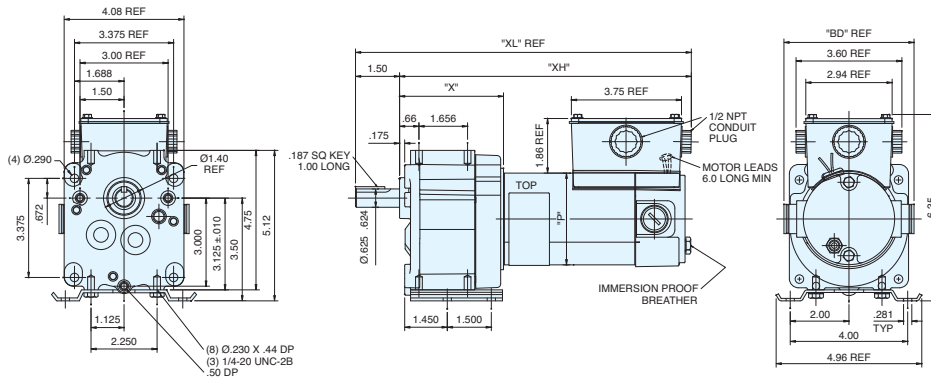
Specifications are subject to change without notice

P300 Series - Low Voltage (12V) - Parallel Shaft - TENV - 1.0 Service Factor

Output RPM	FL Torque (Lb.In.)	Input HP	Catalog Number	Stock	List Price	Model Number	Gearmotor Type & Frame	Ratio to 1	DC Arm. Volts	Full Load Amps DC	Over-hung Load (Lbs.)
5	353	1/20	M1125266.00	✓	1,080	CM31D17VZ10	P303-31	336	12	6.4	565
31	220	1/8	M1125267.00	✓	1,107	CM31D17VZ11	P303-31	58	12	11.0	327

Specifications are subject to change without notice

P	PB	X Inches	XL	XH
3.13	3.8	3.54	10.44	8.94
3.13	4.43	3.54	11.94	9.94





Washguard® Motors

IP55 Washguard Gearmotors - Parallel Shaft

White Epoxy Painted

Pump Motors

Washguard Motors

Agricultural Duty Motors

HVAC / Fan Motors

Special Voltage Motors

Purpose Motors

Brake Motors

IEC Motors

DC Motors

TENV - 1.0 Service Factor - SCR Rated 90V

Output RPM	FL Torque (Lb.In.)	Input HP	Catalog Number	Stock	List Price	Model Number	Gearmotor Type & Frame	Ratio to 1	DC Arm. Volts	Full Load Amps DC	Over-hung Load (Lbs.)
14	341	1/8	M1125268.00	✓	1,088	M31D25VZ1	P353-31	180	90	1.5	465
42	280	1/4	M1125269.00	✓	1,126	M32D25VZ1	P353-32	58	90	2.6	327
83	155	1/4	M1125270.00	✓	1,098	M32D25VZ2	P353-32	29	90	2.7	267
250	45	1/4	M1125271.00	✓	1,098	M32D25VZ3	P352-32	10	90	2.3	201
500	25	1/4	M1125272.00	✓	1,098	M32D25VZ4	P352-32	5	90	2.4	194

Specifications are subject to change without notice

P	PB	X Inches	XL	XH
3.13	3.8	3.45	11.84	9.84
3.25	3.8	3.45	13.84	11.84
3.25	3.8	3.45	13.84	11.84
3.25	3.8	3.45	13.84	11.84
3.25	3.8	3.45	13.84	11.84

Specifications are subject to change without notice

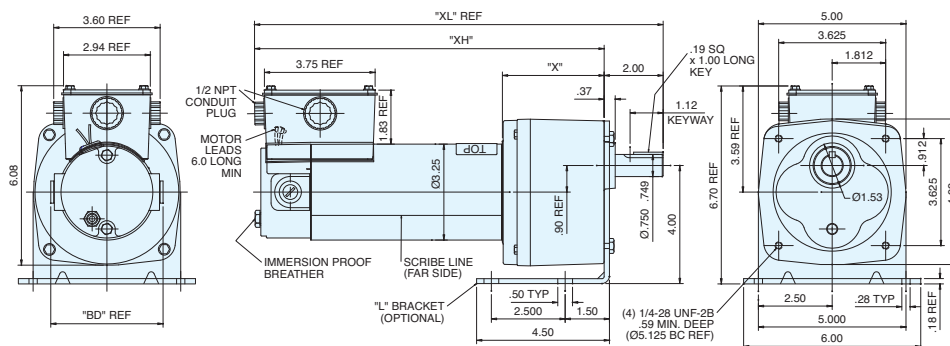
PE350 Series Parallel Shaft - TENV - 1.0 Service Factor - Low Voltage 12V

Output RPM	FL Torque (Lb.In.)	Input HP	Catalog Number	Stock	List Price	Model Number	Gearmotor Type & Frame	Ratio to 1	DC Arm. Volts	Full Load Amps DC	Over-hung Load (Lbs.)
14	341	1/8	M1125273.00	✓	1,114	M31D25VZ2	P353-31	180	12	12.0	465
42	325	1/4	M1125274.00	✓	1,233	M32D25VZ5	P353-32	58	12	20.0	327

Specifications are subject to change without notice

P	PB	X Inches	XL	XH
3.13	4.43	3.45	11.58	9.58
3.25	4.43	3.45	13.84	11.84

Specifications are subject to change without notice



Washguard® Motors

IP55 Washguard Right Angle Gearmotors

White Epoxy Painted



General Specifications - SCR Rated Gearmotors:

- Performance matched for continuous duty service over 60:1 speed range
- Constant torque throughout the range when powered by a full-wave unfiltered SCR-type adjustable speed control having a typical form factor of 1.3 to 1.4

General Specifications - Low Voltage Gearmotors:

- Performance matched for continuous duty service
- Designed for battery power or can be used with a low voltage controller with form factor up to 1.05

Features:

- 303 stainless steel gearbox output shaft
- Frame, endshields, armature and interior components protected by enamel and polyester compounds for resistance to moisture, acids, alkalies and oil
- Cast conduit box with threaded conduit holes and nitrile gaskets keep water out
- Conduit box cover is made from 304 stainless steel
- For any condensation that may accumulate inside the motor, a one-way stainless steel vapor vent is provided
- All hardware is stainless steel
- Painted with white epoxy for superior corrosion resistance and protection
- Machined fits between the endbells and motor frame are sealed with gaskets
- Thru-bolt heads and nuts sealed with fiber washers
- O-rings under each threaded brush cover
- Worm-type right-angle gearing features hardened, steel worm with bronze worm wheel for long life and quiet operation
- Precision machined aluminum gear housing
- Lubrication is permanent with an oil bath
- Gearbox has all ball bearings
- Output shaft is field interchangeable from left hand to right hand style by reassembly
- Double output shaft available as a factory option

Application Notes :

- These right-angle gearmotors have a lubrication breather positioned for horizontal mounting. For other mountings, the breather plug must be reoriented by using a 90 deg 1/8" NPT taper pipe elbow (See drawing). This elbow not available as a motor accessory from Regal. It is not recommended to place the gearmotor with gearbox shaft up.
- Placing the gearmotor with the motor below the gearbox should be avoided to prevent leakage of lubricant into the motor should the motor shaft seal fail.
- Overhung load capacities shown are at center of output shaft



Washguard® Motors

IP55 Washguard Right Angle Gearmotors

White Epoxy Painted

TENV - 1.0 Service Factor - SCR Rated 90V

Output RPM	FL Torque (Lb.In.)	Input HP	Catalog Number	Stock	List Price	Model Number	Gearmotor Type & Frame	Ratio to 1	DC Arm. Volts	Full Load Amps DC	Over-hung Load (Lbs.)
42	80	1/8	M1125275.00	✓	1,088	M31D25VZ3	13F60-31	60	90	2.2	235
250	25	1/8	M1125276.00	✓	1,088	M31D25VZ4	13F10-31	10	90	2.4	235
62	135	1/4	M1125277.00	✓	1,098	M32D25VZ6	13F40-32	40	90	3.7	235
125	90	1/4	M1125278.00	✓	1,098	M32D25VZ7	13F20-32	20	90	3.8	235
250	50	1/4	M1125279.00	✓	1,098	M32D25VZ8	13F10-32	10	90	3.7	235

Specifications are subject to change without notice

P	PB	X Inches	XL	XH
3.13	3.8	4.5	10.86	6.36
3.13	3.8	4.5	10.86	6.36
3.25	3.8	4.5	12.86	8.36
3.25	3.8	4.5	12.86	8.36
3.25	3.8	4.5	12.86	8.36

Specifications are subject to change without notice

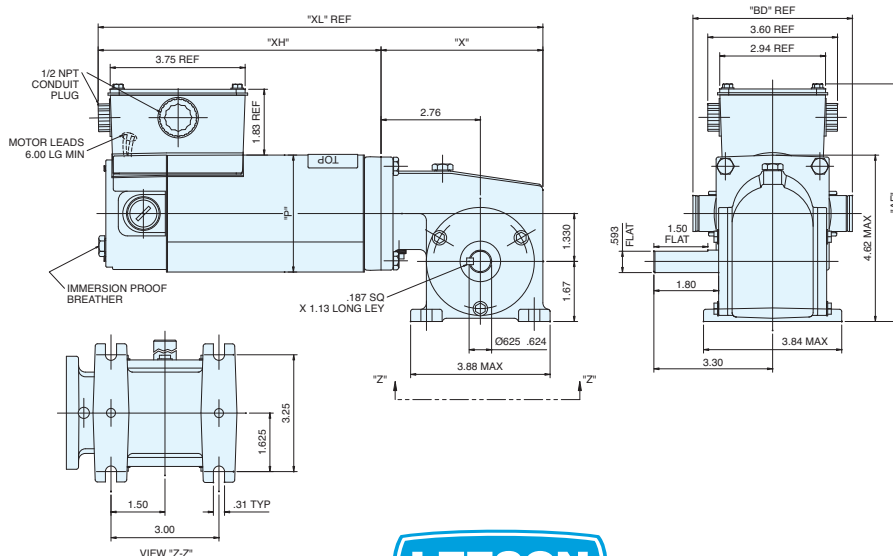
PE350 Series Parallel Shaft - TENV - 1.0 Service Factor - Low Voltage 12V

Output RPM	FL Torque (Lb.In.)	Input HP	Catalog Number	Stock	List Price	Model Number	Gearmotor Type & Frame	Ratio to 1	DC Arm. Volts	Full Load Amps DC	Over-hung Load (Lbs.)
62	135	1/4	M1125280.00	✓	1,042	M32D25VZ9	13F40-32	40	12	28.0	235
125	90	1/4	M1125281.00	✓	1,089	M32D25VZ10	13F20-32	20	12	28.0	235

Specifications are subject to change without notice

P	PB	X Inches	XL	XH
3.25	4.43	4.5	12.36	7.86
3.25	4.43	4.5	12.36	7.86

Specifications are subject to change without notice



Pump Motors

Washguard Motors

Agricultural Duty Motors

HVAC / Fan Motors

Special Voltage Motors

Definite Purpose Motors

Brake Motors

IEC Motors

DC Motors

Washguard® Motors

IP55 AC Washguard Gearmotors

Right Angle



Features:

- Single phase PSC designs include capacitor inside conduit box
- Placing the gearmotor with the motor below the gearbox should be avoided to prevent leakage of lubricant into the motor should the motor shaft seal fail.
- Shaft material coated with teflon/ceramic plating
- White epoxy painted motors
- O-rings and gaskets used for sealing
- Hardened worm-type gearing used
- Interior components protected against corrosion
- Ball bearings used in gear housing
- Sealed output shafts
- Output shafts have needle bearings for high load capacities
- UL listed and CSA certified



Right Angle Series AC Washguard Gearmotors

Output RPM	FL. Torque (Lb.In.)	Input HP	Catalog Number	Stock	List Price	Model Number	Gearmotor Type & Frame	Ratio to 1	Voltage	Phase	FL. Amps @ 230 V	Over-hung Load (Lbs.)
43	113	1/6	M1145141.00	√	1,463	CM38P17FZ42	Right-Angle	40	115/230	1	1.0	235
83	75	1/6	M1145142.00	√	1,463	CM38P17FZ43	Right-Angle	20	115/230	1	1.0	235
340	23	1/6	M1145143.00	√	1,463	CM38P17FZ44	Right-Angle	5	115/230	1	1.4	235
29	220	1/6	M1145146.00	√	1,463	CM38T17FZ22	Right-Angle	60	230	3	1.3	235
172	105	1/6	M1145147.00	√	1,463	CM38T17FZ23	Right-Angle	10	230	3	1.3	235

Specifications are subject to change without notice



Washguard® Motors

Chemical Resistance Comparison

Chemical Name	% Concentration	Exposure	White Epoxy	Stainless Steel
Fresh Water	100	Continuous	Excellent	Excellent
Salt Water	5	Continuous	Excellent	Excellent
Salt Brine	Dilute	Continuous	Fair	Good
Ammonium Hydroxide	Dilute	Continuous	Good	Excellent
Calcium Hydroxide (Lime)	100	Intermittent	Good	Excellent
Citric Acid	10	Continuous	Good	Excellent
Ethylene Glycol	100	Continuous	Excellent	Excellent
Hydrochloric Acid	37	Intermittent	Good	Poor
Lactic Acid	Dilute	Intermittent	Excellent	Excellent
Lactic Acid	100	Intermittent	Fair	Fair
Mineral Spirits	100	Continuous	Excellent	Excellent
Potassium Hydroxide	50	Intermittent	Fair	Fair
Sodium Hydroxide	5	Continuous	Fair	Excellent
Sodium Hydroxide	20	Continuous	Fair	Excellent
Sodium Hydroxide	50	Continuous	Excellent	Excellent
Sodium Hypochlorite (Bleach)	15	Intermittent	Excellent	Excellent
Sulfuric Acid	10	Intermittent	Fair	Fair
Toluene	100	Continuous	Fair	Fair
Animal Fats	NA	Continuous	Excellent	Excellent
Mineral Oils	NA	Continuous	Excellent	Excellent
Vegetable Oils	NA	Continuous	Excellent	Excellent
Cutting Oils	NA	Continuous	Excellent	Excellent
Detergents	NA	Continuous	Excellent	Excellent
Gasoline	NA	Continuous	Fair	Fair
Hydraulic Fluid	NA	Continuous	Excellent	Excellent
Lubricating Oils	NA	Continuous	Excellent	Excellent
General Weathering	NA	Continuous	Fair	Excellent
Mold/Mildew	NA	Continuous	Excellent	Excellent
Light Abrasion	NA	Continuous	Excellent	Excellent
Heavy Abrasion	NA	Continuous	Fair	Excellent

Pump Motors

Washguard Motors

Agricultural Duty Motors

HVAC / Fan Motors

Special Voltage Motors

Definite Purpose Motors

Brake Motors

IEC Motors

DC Motors





DE-FEATHERING



SCALDING



FEEDING



CUTTING



PROCESSING



SLICING



INSPECTION



DE-BONING

There's a LEESON® Washguard® Motor for every location in your facility.

LEESON offers more than 200 off-the-shelf solutions to everyday washdown motor needs. What's more, LEESON offers washdown-rated gear reducers and AC and DC controls to complement our washdown motor line. And, when you need a specially engineered custom solution to your washdown application, think LEESON. Our flexible manufacturing processes enable custom products to be manufactured in small or large quantities.



Washguard® Motors

Washguard II Motors

Stainless Frame - Three Phase - Standard, EPAct & NEMA® Premium Ratings

Typical applications include food processing areas requiring frequent sanitation procedures using high pressure cleaning with concentrated caustic solutions, areas of high humidity and in chemical environments.

Features:

- Paint free exterior
- BISSC certified for the baking industry
- Stainless steel output shafts
- Repositional drain plugs for all angle mounting
- Double sealed bearings
- Output shaft seal
- Inverter duty IRIS® insulation system



Stainless Frame - C Face Less Base - Totally Enclosed

HP	SYN RPM 60 Hz	NEMA Frame	Catalog Number	Stock	List Price	Model Number	App. Wgt. (lbs)	Voltage	F. L. Amps @ 230 V	% F.L. Eff.	Service Factor	"C" Dim. (Inches)	♥Notes
1/2	1800	56C	114394.00	√	965	CZ6T17VC10	33	208-230/460	1.6	78.5	1.15	11.06	S, US, 12
3/4	1800	56C	114395.00	√	1,116	CZ6T17VC11	37	208-230/460	2.3	80.0	1.15	11.56	S, US, 12
1	1800	56C	119487.00	√	1,262	CZ6T17FC384	50	208-230/460	3.2	85.5	1.15	12.66	S, US, 13
1	1800	143TC	122198.00	√	1,262	CZ143T17WC14	48	208-230/460	3.2	85.5	1.15	12.72	S, US, 13
1 1/2	1800	56C	119488.00	√	1,324	CZ6T17WC55	47	208-230/460	4.8	86.5	1.15	13.16	S, US, 13
1 1/2	1800	145TC	122199.00	√	1,324	CZ145T17WC46	48	208-230/460	4.8	86.5	1.15	13.22	S, US, 13
2	1800	56C	119489.00	√	1,505	CZ6T17WC56	53	208-230/460	5.8	86.5	1.15	13.66	S, US, 13
2	1800	145TC	122200.00	√	1,505	CZ145T17WC47	54	208-230/460	5.8	86.5	1.15	13.72	S, US, 13

Green items are Premium Efficient

Note 12 - TENV
Note 13 - TEFC

♥ Note listing on inside back flap
Specifications are subject to change without notice

Stainless Frame - C Face With Base - Totally Enclosed

HP	SYN RPM 60 Hz	NEMA Frame	Catalog Number	Stock	List Price	Model Number	App. Wgt. (lbs)	Voltage	F. L. Amps @ 230 V	% F.L. Eff.	Service Factor	"C" Dim. (Inches)	♥Notes
1/2	1800	56HC	114560.00	√	975	CZ6T17VK3	34	208-230/460	1.6	78.5	1.15	11.56	S, US, 6, 12
3/4	1800	56HC	114561.00	√	1,127	CZ6T17VK4	38	208-230/460	2.3	80.0	1.15	11.56	S, US, 6, 12
1	1800	56HC	119490.00	√	1,266	CZ6T17FK385	38	208-230/460	3.2	85.5	1.15	12.65	S, US, 6, 13
1	1800	143TC	122201.00	√	1,266	CZ143T17WK19	49	208-230/460	3.2	85.5	1.15	13.16	S, US, 13
1 1/2	1800	145TC	121912.00	C/A	1,345	CZ145T14KW40	47	230/460	4.8	86.5	1.15	13.22	S, US, 13
2	1800	145TC	121913.00	√	1,572	CZ145T14WK41	50	230/460	5.8	86.5	1.25	13.72	S, US, 13

Green items are Premium Efficient

C/A - Check Availability
Note 12 - TENV
Note 13 - TEFC

♥ Note listing on inside back flap
Specifications are subject to change without notice



SST StainlessDuck



This member of the LEESON family of tough duck motors is designed for long life in demanding washdown applications. FHP Washguard SST All-Stainless motors are Stainless Steel Tough!

Built with all stainless steel external components to prevent corrosion and well sealed against moisture and condensation to protect internal components, the Washguard SST all-stainless steel motors are able to withstand the severe washdown environments found in the food processing, chemical processing, and beverage industries.

300-Series stainless steel exterior components – frame, base, endshields, shaft extension, fan guard, hardware, conduit box and cover – for maximum corrosion resistance.

Laser-etched full-fact nameplate on motor frame.

Anti-corrosion coating applied to rotor and heavy polyester varnish on stator and to prevent corrosion.

Double-sealed bearings with moisture-resistant high-temperature grease.

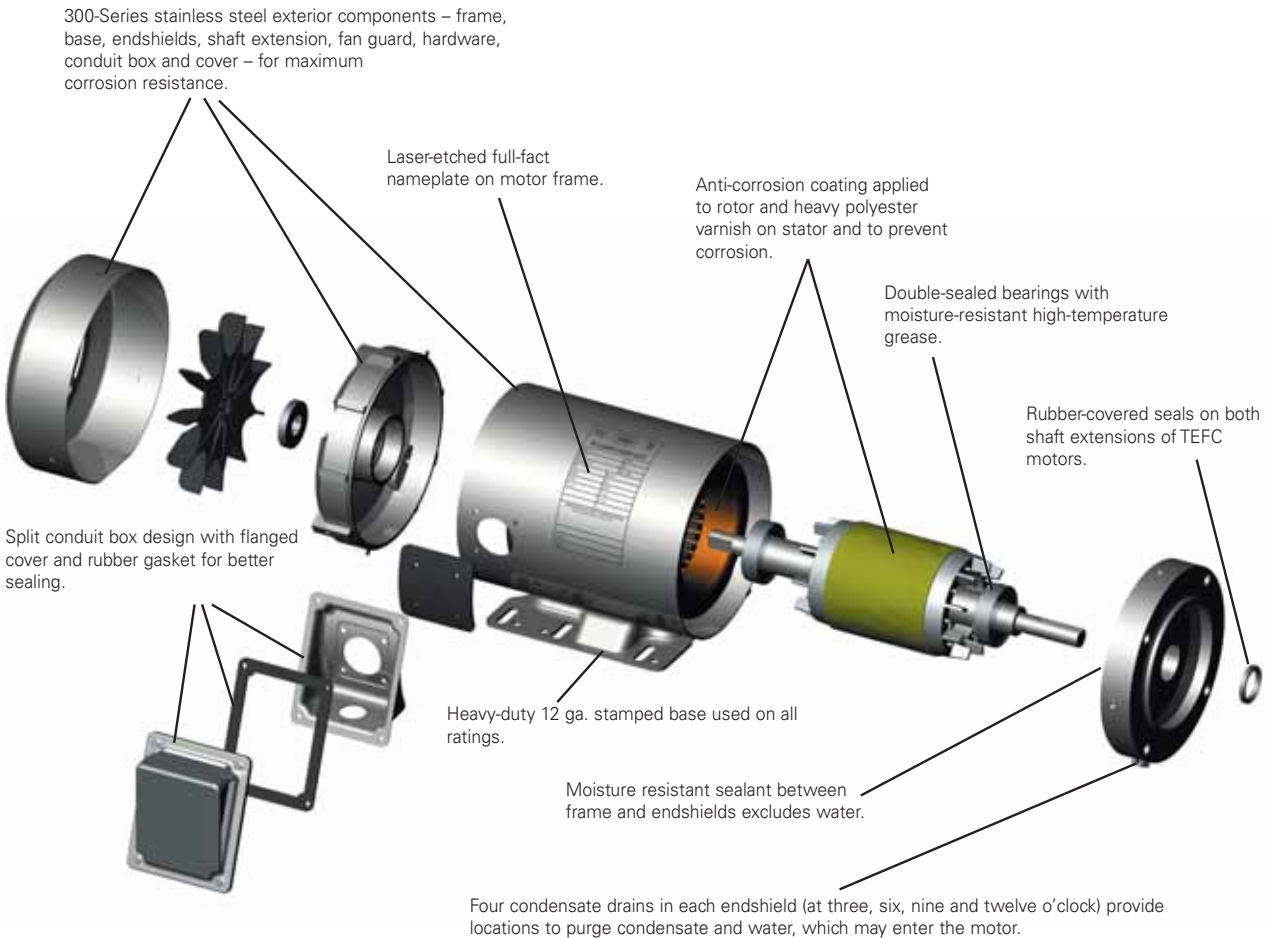
Rubber-covered seals on both shaft extensions of TEFC motors.

Split conduit box design with flanged cover and rubber gasket for better sealing.

Heavy-duty 12 ga. stamped base used on all ratings.

Moisture resistant sealant between frame and endshields excludes water.

Four condensate drains in each endshield (at three, six, nine and twelve o'clock) provide locations to purge condensate and water, which may enter the motor.





Washguard® Motors

SST - All Stainless Motors



Single-Phase - TEFC - C Face With Base

HP	SYN RPM 60 Hz	NEMA Frame	Catalog Number	Stock	List Price	Model Number	App. Wgt. (lbs)	Voltage	F. L. Amps @ 230 V	Service Factor	"C" Dim. (Inches)	♥Notes
1/2	3600	56C	191474.00	√	825	C6C34WK18	30	115/230	3.7	1.15	12.24	S, CN
1/2	1800	56C	191475.00	√	930	C6C17WK14	32	115/230	4.1	1.15	11.10	S, CN
3/4	3600	56C	191476.00	√	909	C6C34WK19	31	115/230	4.6	1.15	11.10	S, CN
3/4	1800	56C	191477.00	√	1073	C6C17WK15	39	115/230	4.9	1.15	11.73	S, CN
1	3600	56C	191478.00	√	1066	C6C34WK20	39	115/230	6.2	1.15	11.10	S, CN
1	1800	56C	191479.00	√	1120	C6C17WK16	43	115/230	6.8	1.15	12.24	S, CN
1 1/2	3600	56C	191480.00	√	1,173	C6K34WK2	45	115/230	8.2	1.15	11.10	S, CN
1 1/2	1800	56C	191481.00	√	1,170	C6K17WK1	53	115/230	7.9	1.15	13.30	S, CN
2	3600	145TC	191482.00	√	1,513	C145K34WK2	57	115/230	9.5	1.15	14.00	S, CN
2	1800	145TC	191483.00	√	1,484	C145K17WK3	57	115/230	8.2	1.15	14.00	S, CN

♥ Note listing on inside back flap
Specifications are subject to change without notice

Stainless Steel Pedestal Fan Motors

- Extended thru-bolts
- Auto reset protectors
- TEAO designs



Single Phase - PSC Type - TEAO - Yoke Mount

HP	SYN RPM 60 Hz	NEMA Frame	Catalog Number	Stock	List Price	Model Number	App. Wgt. (lbs)	Voltage	F. L. Amps @ 230 V	Service Factor	"C" Dim. (Inches)	Shaft Dia.	♥Notes
1/4	1725	48Y	191543.00	√	767	A4P17VZ1A	20	115/230	1.3	1.0	11.58	.50	S, CN
1/4	1075	48Y	191544.00	√	777	A6P11VZ1A	21	115/230	1.5	1.0	11.58	.50	S, CN
1/3	1725	48Y	191545.00	√	792	A4P17VZ2A	21	115/230	1.5	1.0	11.58	.50	S, CN
1/3	1075	48Y	191546.00	√	805	A6P11VZ2A	22	115/230	2.0	1.0	11.58	.50	S, CN
1/2	1725	48Y	191547.00	√	821	A4P17VZ3A	24	115/230	2.6	1.0	11.58	.63	S, CN
1/2	1075	48Y	191548.00	√	859	A6P11VZ3A	28	115/230	2.7	1.0	12.56	.63	S, CN

♥ Note listing on inside back flap
Specifications are subject to change without notice

Washguard® Motors

SST - All Stainless Motors



NEW!



Three-Phase - TENV/TEFC - C Face With Base

HP	SYN RPM 60 Hz	NEMA Frame	Catalog Number	Stock	List Price	Model Number	App. Wgt. (lbs)	Voltage	F. L. Amps @ 230 V	% F.L. Eff.	Service Factor	"C" Dim. (Inches)	♥Notes
1/3	3600	56C	191200.00	√	747	C6T34NK26	29	208-230/460	1.0	74.0	1.15	9.78	S, CN, 12
1/3	1800	56C	191201.40	D	885	C6T17NK40	30	208-230/460	1.3	78.5	1.15	9.78	S, CN, 12
1/3	1800	56C	191201.00	√	836	C6T17NK29	30	208-230/460	1.3	78.5	1.15	9.78	S, CN, 12
1/2	3600	56C	191203.40	D	833	C6T34NK33	32	208-230/460	1.5	77.0	1.15	9.78	S, CN, 12
1/2	3600	56C	191203.00	√	764	C6T34NK27	32	208-230/460	1.5	77.0	1.15	9.78	S, CN, 12
1/2	1800	56C	191204.00	√	862	C6T17NK30	33	208-230/460	1.6	81.5	1.15	9.78	S, CN, 12
1/2	1800	56C	191949.00	√	862	C6T17NK46	34	208-230/460	2.0	72.0	1.15	11.70	S, CN, 13
1/2	1200	56C	191414.40	D	1,021	C6T11NK7	36	208-230/460	2.0	80.0	1.15	9.76	S, CN, 12
1/2	1200	56C	191414.00	√	937	C6T11NK4	36	208-230/460	2.0	80.0	1.15	9.76	S, CN, 12
3/4	3600	56C	191206.40	D	915	C6T34NK34	33	208-230/460	2.0	78.5	1.15	9.78	S, CN, 12
3/4	3600	56C	191206.00	√	839	C6T34NK28	33	208-230/460	2.0	78.5	1.15	9.78	S, CN, 12
3/4	1800	56C	191207.40	D	1,080	C6T17NK48	38	208-230/460	2.3	82.5	1.15	9.78	S, CN, 12
3/4	1800	56C	191207.00	√	991	C6T17NK31	38	208-230/460	2.3	82.5	1.15	9.78	S, CN, 12
3/4	1800	56C	191950.00	√	991	C6T17WK40	39	208-230/460	2.3	82.5	1.15	13.77	S, CN, 13
3/4	1200	56C	191415.40	D	1,175	C6T11NK8	49	208-230/460	3.0	80.0	1.15	11.30	S, CN, 12
3/4	1200	56C	191415.00	√	1,078	C6T11NK5	49	208-230/460	3.0	80.0	1.15	9.78	S, CN, 12
1	3600	56HC	191209.00	√	985	C6T34FK85	41	208-230/460	2.6	80.0	1.15	13.77	S, CN, 6, 13
1	3600	143TC	191486.00	√	1,228	C143T34WK10	42	208-230/460	2.6	80.0	1.15	13.62	S, CN, 13
1	1800	56C	191574.00	√	1,035	C6T17NK56	46	208-230/460	3.0	85.5	1.15	11.00	S, CN, 12
1	1800	56HC	191558.00	√	1,275	C6T17WK41	48	208-230/460	3.0	85.5	1.15	13.77	S, CN, 6, 13
1	1800	143TC	191487.00	√	1,289	C143T17WK14	48	208-230/460	3.0	85.5	1.15	13.62	S, CN, 13
1	1200	56HC	191417.00	√	1,128	C6T11NK6	49	208-230/460	3.8	82.5	1.15	13.10	S, CN, 13
1	1200	145TC	191528.00	√	1,132	C6T11NK6	49	208-230/460	3.8	82.5	1.15	13.20	S, CN, 13
1 1/2	3600	56HC	191560.00	√	1,329	C6T34WK23	48	208-230/460	3.8	84.0	1.15	13.77	S, CN, 6, 13
1 1/2	3600	143TC	191488.00	√	1,357	C143T34WK12	49	208-230/460	3.8	84.0	1.15	13.62	S, CN, 13
1 1/2	1800	56HC	191561.00	√	1,318	C6T17WK43	48	208-230/460	4.4	86.5	1.15	13.77	S, CN, 6, 13
1 1/2	1800	145TC	191489.00	√	1,344	C145T17WK35	49	208-230/460	4.4	86.5	1.15	13.62	S, CN, 13
2	3600	56HC	191562.00	√	1,602	C6T34WK37	49	208-230/460	5.0	85.5	1.15	13.77	S, CN, 6, 13
2	3600	145TC	191490.00	√	1,623	C145T34WK26	50	208-230/460	5.0	85.5	1.15	13.62	S, CN, 13
2	1800	56HC	191563.00	√	1,564	C6T17WK42	53	208-230/460	5.4	86.5	1.15	13.77	S, CN, 6, 13
2	1800	145TC	191491.00	√	1,594	C145T17WK37	53	208-230/460	5.4	86.5	1.15	13.62	S, CN, 13
3	3600	145TC	191492.00	√	1,742	C145T34WK21	62	208-230/460	7.2	86.5	1.15	14.12	S, CN, 13
3	3600	182TC	194000.00	√	3,097	C182T34WK2	85	230/460	6.9	86.5	1.15	16.97	S, CN, 13
3	1800	182TC	194001.00	√	3,151	C182T17WK21	120	230/460	7.2	89.5	1.15	16.97	S, CN, 13
5	3600	184TC	194002.00	√	3,577	C184T34WK21	125	230/460	11.0	88.5	1.15	16.97	S, CN, 13
5	1800	184TC	194003.00	√	3,527	C184T17WK25	146	230/460	12.4	89.5	1.15	16.97	S, CN, 13
7 1/2	3600	213TC	194004.00	√	4,897	C213T34WK9	159	230/460	17.4	89.5	1.15	21.57	S, CN, 13
7 1/2	1800	213TC	194005.00	√	5,393	C213T17WK19	185	230/460	19.4	91.7	1.15	21.57	S, CN, 13
10	3600	215TC	194006.00	√	5,143	C215T34WK16	176	230/460	22.8	90.2	1.15	21.57	S, CN, 13
10	1800	215TC	194007.00	√	5,482	C215T17WK19	207	230/460	25.2	91.7	1.15	21.57	S, CN, 13
15	3600	254TC	194008.00	√	9,564	C254T34WK1	303	230/460	34.5	91.0	1.15	23.65	S, CN, 13
15	1800	254TC	194009.00	√	9,624	C254T17WK1	307	230/460	35.5	92.4	1.15	23.65	S, CN, 13
20	3600	256TC	194010.00	√	10,499	C256T34WK1	375	230/460	45.0	91.0	1.15	25.00	S, CN, 13
20	1800	256TC	194011.00	√	10,566	C256T17WK1	358	230/460	47.0	93.0	1.15	25.00	S, CN, 13
25	3600	284TC	194012.00	√	13,165	C284T34WK1	414	230/460	56.5	91.7	1.15	26.97	S, CN, 13
25	1800	284TC	194013.00	√	13,226	C284T17WK1	425	230/460	57.5	93.6	1.15	26.97	S, CN, 13
30	3600	286TC	194014.00	√	13,955	C286T34WK1	425	230/460	68.0	91.7	1.15	27.95	S, CN, 13
30	1800	286TC	194015.00	√	14,025	C286T17WK1	475	230/460	68.0	93.6	1.15	27.95	S, CN, 13

Green items are Premium Efficient

Note 12 - TENV
Note 13 - TEFC

♥ Note listing on inside back flap
Specifications are subject to change without notice





Washguard® Motors

SST - All Stainless Motors



Three Phase - TENV/TEFC - C Face Less Base

HP	SYN RPM 60 Hz	NEMA Frame	Catalog Number	Stock	List Price	Model Number	App. Wgt. (lbs)	Voltage	F. L. Amps @ 230 V	% F.L. Eff.	Service Factor	"C" Dim. (Inches)	♥Notes
1/3	1800	56C	191202.40	D	904	C6T17NC320	30	208-230/460	1.3	78.5	1.15	9.78	S,CN,12
1/3	1800	56C	191202.00	√	829	C6T17NC328	30	208-230/460	1.3	78.5	1.15	9.78	S,CN,12
1/2	1800	56C	191205.00	√	848	C6T17NC329	33	208-230/460	1.6	81.5	1.15	9.78	S,CN,12
1/2	1800	56C	191507.00	√	848	C6T17WC39	34	208-230/460	2.0	72.0	1.15	11.10	S,CN,13
1/2	1200	56C	191419.00	√	926	C6T11NC42	35	208-230/460	2.0	80.0	1.15	9.78	S,CN,12
3/4	1800	56C	191208.00	√	989	C6T17NC322	38	208-230/460	2.3	82.5	1.15	9.78	S,CN,12
3/4	1800	56C	191508.00	√	989	C6T17WC40	39	208-230/460	2.3	82.5	1.15	11.20	S,CN,13
3/4	1200	56C	191420.40	D	1,173	C6T11NC49	47	208-230/460	3.0	80.0	1.15	10.36	S,CN,12
3/4	1200	56C	191420.00	√	1,076	C6T11NC43	47	208-230/460	3.0	80.0	1.15	9.78	S,CN,12
1	1800	56C	191575.00	√	1,030	C6T17NC169	45	208-230/460	3.0	85.5	1.15	11.00	S,CN,12
1	1800	56C	191564.00	√	1,232	C6T17WC46	48	208-230/460	3.0	85.5	1.15	13.77	S,CN,13
1	1800	143TC	191565.00	√	1,256	C143T17WC9	48	208-230/460	3.0	85.5	1.15	13.62	S,CN,13
1	1200	56C	191421.00	√	1,125	C6T11NC44	47	208-230/460	3.8	82.5	1.15	13.10	S,CN,13
1 1/2	1800	56C	191567.00	√	1,275	C6T17WC63	49	208-230/460	4.4	86.5	1.15	13.77	S,CN,13
1 1/2	1800	145TC	191568.00	√	1,303	C145T17WC39	48	208-230/460	4.4	86.5	1.15	13.62	S,CN,13
2	1800	56C	191569.00	√	1,504	C6T17WC64	52	208-230/460	5.4	86.5	1.15	13.77	S,CN,13
2	1800	145TC	191570.00	√	1,554	C145T17WC59	52	208-230/460	5.4	86.5	1.15	13.62	S,CN,13
3	3600	145TC	191542.00	√	1,389	C145T34WC8	61	208-230/460	7.2	86.5	1.15	13.20	S,CN,13

Green items are Premium Efficient

D - Item to be discontinued once inventory is depleted

Note 12 - TENV

Note 13 - TEFC

♥ Note listing on inside back flap
Specifications are subject to change without notice



Pump Motors

Washguard Motors

Agricultural Duty Motors

HVAC / Fan Motors

Special Voltage Motors

Definite Purpose Motors

Brake Motors

IEC Motors

DC Motors

Washguard® Motors

Premium - All Stainless Motors

Single-Phase & Three-Phase

Premium Stainless Duck




300-Series stainless steel exterior components – frame, base, endshields, shaft extension, fan guard, hardware, conduit box and cover – for maximum corrosion resistance.

Laser-etched full-fact nameplate on motor frame.

Interior coatings applied to rotor and stator protect against moisture and corrosion.

Double-sealed bearings with moisture-resistant high-temperature grease.

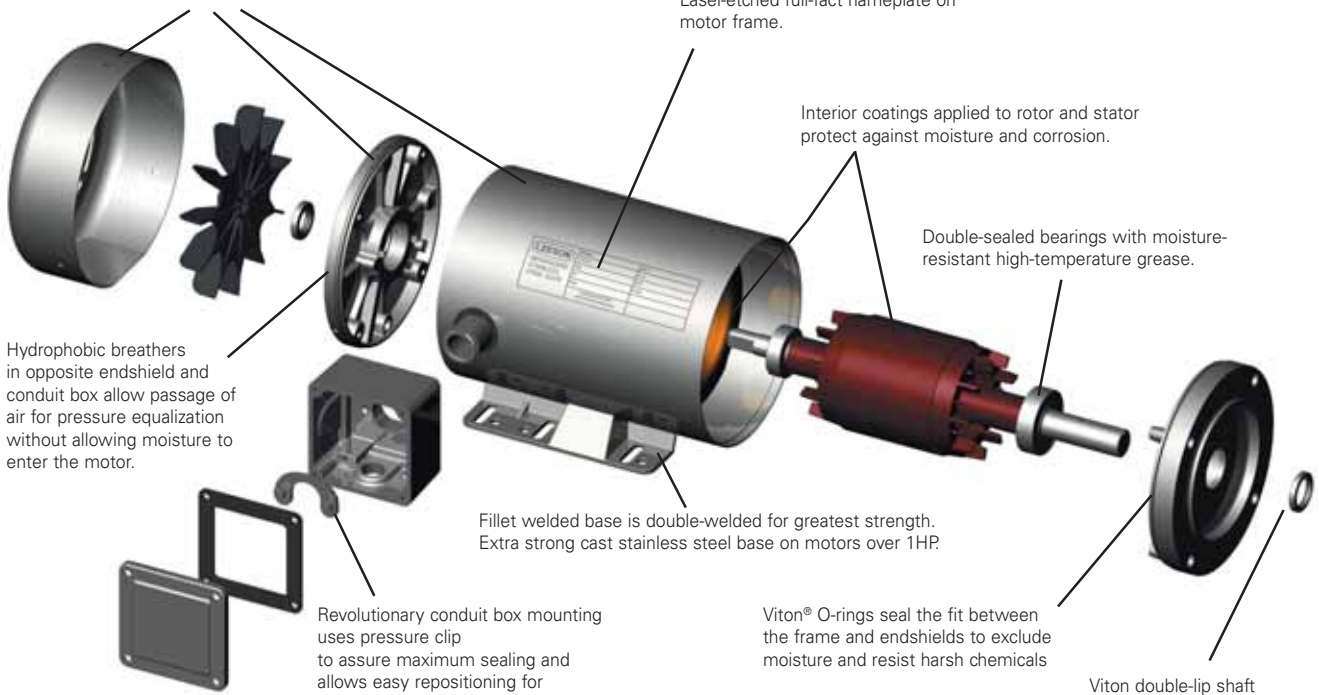
Hydrophobic breathers in opposite endshield and conduit box allow passage of air for pressure equalization without allowing moisture to enter the motor.

Fillet welded base is double-welded for greatest strength. Extra strong cast stainless steel base on motors over 1HP.

Revolutionary conduit box mounting uses pressure clip to assure maximum sealing and allows easy repositioning for multiple conduit entry locations.

Viton® O-rings seal the fit between the frame and endshields to exclude moisture and resist harsh chemicals

Viton double-lip shaft seals on both ends of TEFC motors.



Viton is believed to be the trademark of Chemours Company, and are not owned or controlled by Regal Beloit Corporation.



Washguard® Motors

Premium - All Stainless Motors

Single Phase & Three Phase

Pump
Motors

Washguard
Motors

Agricultural
Duty Motors

HVAC / Fan
Motors

Special Voltage
Motors

Definite
Purpose Motors

Brake Motors

IEC Motors

DC Motors

General Specifications:

Designed specifically to meet the demanding sanitation requirements of the pharmaceutical, food processing and beverage industries. These motors are also ideal in clean room and severe chemical-processing applications involving frequent washdown with nitric acid and caustic lye.

Mechanical Protection Features:

- All exterior components are 300-series stainless steel
- Nothing on the motor's exterior is painted or coated in any way
- All sealing components are Viton® for superior chemical resistance
- Full fact nameplate is laser etched on the motor frame – no separately attached nameplate to trap dirt or contaminants
- Endshields are O-ring sealed to the frame
- Double lip shaft seals on both ends of TEFC motors (shaft end only on TENV motors)
- Removable hydrophobic breathers in opposite shaft endbell and conduit box equalize pressure without allowing moisture to enter
- Exterior fastener use minimized reducing the number of entry points for moisture. There are no holes in the frame for attaching a nameplate. Bearing lock screws are located inside the motor and the conduit box mounted screws have been eliminated
- Double-sealed bearings are pre-lubricated with moisture-resistant high-temperature grease for long life
- Interior coatings applied to rotor and stator protect against corrosion
- New conduit box mounting system provides optimum sealing
- Ease to clean construction is BISSC Certified for bakery applications

Electrical Performance and Protection Features:

- Washguard motor efficiencies meet EPACK mandates for non-exempt motors when tested without shaft seals.
- Windings are immersed and cured in polyester insulating varnish for extra moisture-resistance
- LEESON® motors exclusive IRIS® Inverter-Rated Insulation System provides extra protection and long life, especially in inverter-driven applications
- Single-phase motors use Solid State Sinpac® switch – no mechanical switch contacts to corrode and fail
- All Wash down duty motors have Class F Insulation

Standards and Approvals:

- Single and three phase motors are UL component recognized – file number E57948, guide number PRGY2
- CSA Energy Efficiency Verification Program, report number EEV 78720-1
- Construction is CSA Certified for safety report number LR33543 and listed under BISSC authorization number 769

Washguard® Motors

Premium - All-Stainless Motors



Three Phase - TENV/TEFC - C Face With Base

HP	SYN RPM 60 Hz	NEMA Frame	Catalog Number	Stock	List Price	Model Number	App. Wgt. (lbs)	Voltage	F. L. Amps @ 230 V	% FL. Eff.	Service Factor	"C" Dim. (Inches)	♥Notes
1/2	3600	56HC	117269.00	√	1,575	CZ6T34VK19	35	208-230/460	1.6	82.5	1.15	10.47	S, US, 12
1/2	1800	S56C	103387.00	√	1,579	CZ4T17VK2	37	208-230/460	1.8	76.0	1.15	11.49	S, US, 12
1/2	1800	56HC	117266.00	√	1,687	CZ6T17VK46	35	208-230/460	1.6	78.5	1.15	11.22	S, US, 12
1/2	1800	56HC	117762.00	√	1,687	CZ6T17VK52	38	208-230/460	1.8	78.5	1.15	13.13	S, US, 13
1/2	1200	56HC	117275.00	√	2,104	CZ6T11VK5	41	208-230/460	2.3	77.0	1.15	11.47	S, US, 12
3/4	3600	56HC	117271.00	√	1,631	CZ6T34VK20	40	208-230/460	2.4	84.0	1.15	10.97	S, US, 12
3/4	1800	S56C	103388.00	√	1,637	CZ4T17WK1	41	208-230/460	2.4	78.5	1.15	12.50	S, US, 13
3/4	1800	56HC	117267.00	√	1,751	CZ6T17VK47	43	208-230/460	2.3	80.0	1.15	11.72	S, US, 12
3/4	1200	56HC	117276.00	√	2,174	CZ6T11VK6	46	208-230/460	3.0	78.5	1.15	13.22	S, US, 12
1	3600	56HC	117273.00	√	1,784	CZ6T34VK21	48	230/460	2.6	85.5	1.15	13.22	S, US, 12
1	1800	56HC	119973.00	√	2,117	CZ6T17VK74	52	230/460	2.8	85.5	1.15	13.70	S, US, 12
1	1800	56HC	119491.00	√	2,054	CZ6T17WK52	42	208-230/460	3.2	85.5	1.15	11.94	S, US, 13
1	1800	143TC	121873.00	√	2,117	CZ143T17WK12	52	230/460	3.2	85.5	1.15	12.00	S, US, 13
1	1200	56HC	119492.00	√	2,279	CZ6T11WK12	54	208-230/460	3.8	82.5	1.15	12.69	S, US, 13
1 1/2	3600	143TC	121874.00	√	2,135	CZ143T34WK7	46	230/460	4.0	84.0	1.15	11.75	S, US, 13
1 1/2	1800	56HC	119494.00	√	2,137	CZ6T17WK56	58	230/460	4.8	86.5	1.15	12.69	S, US, 13
1 1/2	1800	145TC	121875.00	√	2,166	CZ145T17WK32	53	230/460	4.8	86.5	1.15	12.75	S, US, 13
1 1/2	1200	182TC	132565.00	√	3,151	C182T11WK2	91	230/460	6.0	87.5	1.15	14.77	S, US, 13
2	3600	145TC	121876.00	√	2,534	CZ145T34WK18	54	230/460	4.8	85.5	1.25	12.75	S, US, 13
2	1800	56HC	119495.00	√	2,511	CZ6T17WK54	54	230/460	5.8	86.5	1.15	13.19	S, US, 13
2	1800	145TC	121877.00	√	2,561	CZ145T17WK33	59	230/460	5.8	86.5	1.25	13.25	S, US, 13
3	3600	145TC	121878.00	√	3,049	CZ145T34WK27	56	230/460	8.0	86.5	1.15	13.00	S, US, 13
3	3600	182TC	132203.00	√	3,120	CZ182T34WK2	85	230/460	7.6	86.5	1.25	14.27	S, MX, 13
3	1800	182TC	132206.00	√	3,216	C184T17WK14	90	230/460	7.8	89.5	1.15	14.77	S, MX, 13
5	3600	184TC	132207.00	√	3,646	C184T34WK11	103	230/460	12.0	88.5	1.25	15.27	S, MX, 13
5	1800	184TC	132208.00	√	3,568	C184T17WK16	101	230/460	12.6	89.5	1.15	15.77	S, MX, 13
7 1/2	3600	213TC	140825.00	√	5,075	C213T34WK4	168	230/460	17.8	90.2	1.15	18.69	S, MX, 13
7 1/2	1800	213TC	140826.00	√	5,727	C213T17WK10	173	230/460	21.6	91.7	1.15	18.69	S, MX, 13
10	3600	215TC	140827.00	√	5,217	C215T34WK11	182	230/460	23.6	91.7	1.15	18.69	S, MX, 13
10	1800	215TC	140828.00	√	5,899	C215T17WK10	203	230/460	26.8	91.7	1.15	18.69	S, MX, 13

Green items are Premium Efficient

Note 12 - TENV
Note 13 - TEFC

♥ Note listing on inside back flap
Specifications are subject to change without notice





Three Phase - TENV/TEFC - C Face Less Base

HP	SYN RPM 60 Hz	NEMA Frame	Catalog Number	Stock	List Price	Model Number	App. Wgt. (lbs)	Voltage	F. L. Amps @ 230 V	% F.L. Eff.	Service Factor	"C" Dim. (Inches)	♥Notes
1/3	1800	48C	103393.00	C/A	1,335	CZ4T17VC7	28	208-230/460	1.3	70.5	1.15	9.83	S, US, 12
1/2	3600	56C	117279.00	√	1,545	CZ6T34VC22	35	208-230/460	1.6	82.5	1.15	10.47	S, US, 12
1/2	1800	48C	103394.00	√	1,364	CZ4T17VC3	37	208-230/460	1.8	76.0	1.15	11.58	S, US, 12
1/2	1800	S56C	103389.00	√	1,560	CZ4T17VC4	30	208-230/460	1.8	76.0	1.15	11.49	S, US, 12
1/2	1800	56C	117270.00	√	1,654	CZ6T17VC56	38	208-230/460	1.6	78.5	1.15	11.22	S, US, 12
3/4	3600	56C	117280.00	C/A	1,598	CZ6T34VC23	40	208-230/460	2.4	84.0	1.15	10.97	S, US, 12
3/4	1800	S56C	103390.00	√	1,596	CZ4T17WC1	33	208-230/460	2.4	77.0	1.15	12.50	S, US, 13
3/4	1800	56C	117272.00	√	1,707	CZ6T17VC57	40	208-230/460	2.3	80.0	1.15	11.72	S, US, 12
1	3600	56C	117281.00	√	1,752	CZ6T34VC24	43	230/460	2.6	85.5	1.15	12.22	S, US, 12
1	1800	56C	119974.00	√	2,008	CZ6T17VC73	51	230/460	2.8	85.5	1.15	13.22	S, US, 12
1	1800	56C	119497.00	√	2,008	CZ6T17WC57	47	208-230/460	3.2	85.5	1.15	11.94	S, US, 13
1	1800	143TC	122202.00	C/A	2,014	CZ143T17WC15	53	208-230/460	3.2	85.5	1.15	12.00	S, US, 13
1 1/2	3600	143TC	122207.00	√	2,101	CZ143T34WC8	55	208-230/460	4.0	84.0	1.15	12.00	S, US, 13
1 1/2	1800	56C	119498.00	√	2,108	CZ6T17WC52	52	208-230/460	4.8	86.5	1.15	12.69	S, US, 13
1 1/2	1800	145TC	122203.00	√	2,114	CZ145T17WC49	58	230/460	4.8	86.5	1.15	12.75	S, US, 13
2	3600	145TC	122205.00	√	2,478	CZ145T34WC24	57	230/460	4.8	85.5	1.15	13.25	S, US, 13
2	1800	56C	119499.00	√	2,458	CZ6T17WC58	51	208-230/460	5.8	86.5	1.15	13.19	S, US, 13
2	1800	145TC	122204.00	√	2,465	CZ145T17WC48	63	208-230/460	5.8	86.5	1.15	13.25	S, US, 13
3	3600	145TC	122206.00	√	2,988	CZ145T34WC25	58	230/460	8.0	86.5	1.15	13.00	S, US, 13
3	1800	182TC	132447.00	√	3,128	C182T17WC12	91	230/460	7.8	89.5	1.15	14.77	S, MX, 13
5	3600	184TC	132449.00	√	3,554	C184T34WC11	100	208-230/460	12.0	88.5	1.15	15.77	S, MX, 13
5	1800	184TC	132448.00	√	3,497	C184T17WC106	105	230/460	12.6	89.5	1.15	15.77	S, MX, 13

Green items are Premium Efficient

C/A - Check Availability
Note 12 - TENV
Note 13 - TEFC

♥ Note listing on inside back flap
Specifications are subject to change without notice

Washguard® Motors

Premium All Stainless Motors with Shaft Grounding Rings (SGRs)



General Specifications:

Same design features as our standard premium stainless motors, only having a built-in shaft grounding ring that are designed to protect motors. They are used in applications that use AC inverters to control the speed of the motors. Shaft grounding rings eliminate the stray voltages that may damage the motor's bearings.

Three-Phase - TENV/TEFC - C Face With Base

Premium Washguard All-Stainless Motors With Shaft Grounding Rings (SGRs)

HP	SYN RPM 60 Hz	NEMA Frame	Catalog Number	Stock	List Price	Model Number	App. Wgt. (lbs)	Voltage	F. L. Amps @ 230 V	% F.L. Eff.	Service Factor	"C" Dim. (Inches)	♥Notes
1/2	1800	56HC	117901.00	√	1,797	CZ6T17VK53	39	208-230/460	1.6	78.5	1.15	11.22	S, US, 12
3/4	1800	56HC	117902.00	√	2,017	CZ6T17VK54	42	208-230/460	2.3	80.0	1.15	11.72	S, US, 12
1	1800	56C	119500.00	√	2,101	CZ6T17WK48	43	208-230/460	3.2	85.5	1.15	11.94	S, US, 13
1	1800	143TC	122215.00	√	2,164	CZ143T17WK21	43	208-230/460	3.2	85.5	1.15	12.00	S, US, 13
1 1/2	1800	56HC	119501.00	√	2,185	CZ6T17WK49	54	208-230/460	4.8	86.5	1.15	12.94	S, US, 13
1 1/2	1800	145TC	122030.00	√	2,259	CZ145T17WK52	56	230/460	4.8	86.5	1.15	12.75	S, US, 13
2	1800	56HC	119502.00	√	2,550	CZ6T17WK50	70	208-230/460	5.8	86.5	1.15	13.44	S, US, 13
2	1800	145TC	122031.00	√	2,640	CZ145T17WK53	71	230/460	5.8	86.5	1.25	13.25	S, US, 13

Green items are Premium Efficient

Note 12 - TENV

Note 13 - TEFC

♥ Note listing on inside back flap
Specifications are subject to change without notice



Pump Motors

Washguard Motors

Agricultural Duty Motors

HVAC / Fan Motors

Special Voltage Motors

Definite Purpose Motors

Brake Motors

IEC Motors

DC Motors

Single Phase - TENV/TEFC - C Face With Base

HP	SYN RPM 60 Hz	NEMA Frame	Catalog Number	Stock	List Price	Model Number	App. Wgt. (lbs)	Voltage	F. L. Amps @ 230 V	Service Factor	"C" Dim. (Inches)	♥Notes
1/3	1800	56HC	116343.00	√	1,765	NZ6C17VK1	35	115/208-230	2.7	1.15	12.20	S, US, 6, 12
1/2	3600	56HC	116344.00	√	1,747	NZ6C34VK2	38	115/208-230	3.8	1.15	12.20	S, US, 6, 12
1/2	1800	56HC	116345.00	√	1,791	NZ6C17VK2	38	115/208-230	3.3	1.15	12.70	S, US, 6, 12
3/4	1800	56HC	116346.00	√	1,893	NZ6K17VK2	42	115/208-230	3.8	1.15	12.70	S, US, 6, 12
1	3600	56HC	116347.00	√	1,981	NZ6C34VK1	49	115/208-230	6.0	1.15	13.70	S, US, 6, 12
1	1800	56HC	116348.00	√	1,969	NZ6K17VK1	49	115/208-230	4.5	1.15	13.70	S, US, 6, 12
1 1/2	3600	56HC	116482.00	C/A	2,254	CZ6K34WK1	49	115/208-230	6.8	1.15	13.81	S, US, 13
1 1/2	1800	145TC	121622.00	√	2,046	CZ145K17WK2	53	115/208-230	7.4	1.15	14.87	S, US, 13
2	3600	145TC	121623.00	C/A	2,462	CZ145K34WK1	57	115/208-230	8.8	1.15	14.87	S, US, 13
2	1800	145TC	121632.00	C/A	2,359	CZ145K17WK1	57	115/208-230	10.0	1.15	14.87	S, US, 13

C/A - Check Availability
Note 12 - TENV
Note 13 - TEFC

♥ Note listing on inside back flap
Specifications are subject to change without notice



Single Phase - TENV/TEFC - C Face Less Base

HP	SYN RPM 60 Hz	NEMA Frame	Catalog Number	Stock	List Price	Model Number	App. Wgt. (lbs)	Voltage	F. L. Amps @ 230 V	Service Factor	"C" Dim. (Inches)	♥Notes
1/3	1800	56C	116349.00	√	1,727	NZ6C17VC1	35	115/208-230	2.7	1.15	11.70	S, US, 12
1/2	1800	56C	116350.00	√	1,761	NZ6C17VC2	38	115/208-230	3.4	1.15	12.70	S, US, 12
3/4	1800	56C	116351.00	√	1,855	CZ6K17VC2	42	115/208-230	3.8	1.15	12.70	S, US, 12
1	1800	56C	116352.00	√	1,920	CZ6K17VC1	49	115/208-230	4.5	1.15	13.70	S, US, 12
1 1/2	1800	145TC	121624.00	C/A	1,951	CZ145K17WC2	53	115/208-230	7.4	1.15	14.87	S, US, 13
2	1800	145TC	121633.00	C/A	2,243	CZ145K17WC1	57	115/208-230	10.0	1.15	14.87	S, US, 13

C/A - Check Availability
Note 12 - TENV
Note 13 - TEFC

♥ Note listing on inside back flap
Specifications are subject to change without notice

Washguard® Motors

Stainless Steel Brakemotors & JM Pump Motors



Stainless Steel Brakemotors

Three Phase - TENV - C Face With Base

HP	SYN RPM 60 Hz	NEMA Frame	Brake Rating (ft. lbs)	Catalog Number	Stock	List Price	Model Number	App. Wgt. (lbs)	Voltage	F. L. Amps @ 230 V	% F.L. Eff.	Service Factor	"C" Dim. (Inches)
1/2	1800	56C	3	116483.00	✓	6,172	CZ6T17VK31	59	208-230/460	1.6	78.5	1.15	16.51
1	1800	56C	6	119785.00	✓	6,950	CZ6T17VK61	73	208-230/460	2.8	85.5	1.15	18.01

Green items are Premium Efficient

♥ Note listing on inside back flap
Specifications are subject to change without notice

Stainless Steel JM Pump Motors

Three Phase - TEFC - JM Pump - C Face With Base



HP	SYN RPM 60 Hz	NEMA Frame	Catalog Number	Stock	List Price	Model Number	App. Wgt. (lbs)	Voltage	F. L. Amps @ 230 V	% F.L. Eff.	Service Factor	"C" Dim. (Inches)	♥Notes
1	1800	143JM	122208.00	✓	1,998	CZ143T17WK22	59	208-230/460	3.2	85.5	1.15	16.00	S, US
1 1/2	3600	143JM	G121627.00	D	1,835	CZ143T34WK11	55	230/460	4.0	82.4	1.15	16.00	S, US
1 1/2	3600	143JM	122210.00	✓	1,996	CZ143T34WK12	58	230/460	4.0	84.0	1.15	16.50	S, US
1 1/2	1800	145JM	122209.00	C/A	2,214	CZ145T17WK61	58	230/460	4.8	86.5	1.15	16.50	S, US
2	3600	145JM	122212.00	C/A	2,376	CZ145T34WK40	59	230/460	4.8	85.5	1.15	16.50	S, US
2	1800	145JM	122211.00	✓	2,402	CZ145T17WK59	60	208-230/460	5.8	86.5	1.15	17.00	S, US
3	3600	145JM	122213.00	✓	2,869	CZ145T34WK41	67	230/460	8.0	86.5	1.15	16.50	S, US
3	1800	182JM	132450.00	✓	3,043	C182T17WK19	94	230/460	7.8	89.5	1.15	16.20	S, MX
5	3600	184JM	132451.00	✓	3,356	C184T34WK17	97	230/460	12.0	88.5	1.15	16.77	S, MX
5	1800	184JM	132452.00	✓	3,357	C184T17WK23	103	230/460	12.6	89.5	1.15	17.27	S, MX
7 1/2	3600	213JM	141274.00	C/A	5,168	C213T34WK8	167	230/460	18.6	89.5	1.15	19.81	S, MX
7 1/2	1800	213JM	141273.00	C/A	5,231	C213T17WK18	169	230/460	19.6	91.7	1.15	19.81	S, MX
10	3600	215JM	141275.00	C/A	5,398	C215T34WK14	169	230/460	23.6	90.2	1.15	19.81	S, MX
10	1800	215JM	141276.00	✓	5,410	C215T17WK17	178	230/460	26.4	91.7	1.15	19.81	S, MX

Green items are Premium Efficient

D - Item to be discontinued once inventory is depleted
C/A - Check Availability

♥ Note listing on inside back flap
Specifications are subject to change without notice



Washguard® Motors

IEC Washguard All-Stainless AC Motors



IEC B5 Flange - Round Body - Three Phase - TENV/TEFC

HP/kW	SYN RPM 60 Hz	IEC Frame	Catalog Number	Stock	List Price	Model Number	App. Wgt. (lbs)	Voltage	F. L. Amps @ 230 V	% FL. Eff.	Service Factor	"C" Dim. (Inches)	♥Notes
1/3-0.25	1800	71	103403.00	√	1,632	CZ4T17VZ16	30	208-230/460	1.3	72.0	1.15	9.87	S, US, 12
1/3-0.25	1800	80	103405.00	√	1,632	CZ4T17VZ17	30	208-230/460	1.3	72.0	1.15	9.87	S, US, 12
1/2-0.37	1800	71	103404.00	√	1,687	CZ4T17VZ6	32	208-230/460	1.8	76.0	1.15	11.62	S, US, 12
1/2-0.37	1800	80	103406.00	√	1,687	CZ4T17VZ7	32	208-230/460	1.8	76.0	1.15	11.62	S, US, 12
3/4-0.55	1800	80	103407.00	√	1,789	CZ4T17WZ9	38	208-230/460	2.4	78.5	1.15	12.26	S, US, 13
1- 0.75	1800	90	119507.00	√	2,080	CZ6T17WC55	48	230/460	3.2	85.5	1.15	12.59	S, US, 13
1.5 - 1.1	1800	90	119508.00	√	2,178	CZ6T17WC60	52	230/460	4.8	86.5	1.15	13.34	S, US, 13
2 - 1.5	1800	90	119509.00	√	2,374	CZ6T17WC59	54	208-230/460	5.8	86.5	1.15	13.84	S, US, 13

Green items are Premium Efficient

Note 12 - TENV
Note 13 - TEFC

♥ Note listing on inside back flap
Specifications are subject to change without notice

IEC B14 Flange - Round Body - Three Phase - Totally Enclosed

HP/kW	SYN RPM 60 Hz	IEC Frame	Catalog Number	Stock	List Price	Model Number	App. Wgt. (lbs)	Voltage	F. L. Amps @ 230 V	% FL. Eff.	Service Factor	"C" Dim. (Inches)	♥Notes
1/3-0.25	1800	71	103395.00	√	1,772	CZ4T17VZ13	30	208-230/460	1.3	72.0	1.15	9.83	S, US, 12
1/3-0.25	1800	80	103397.00	√	1,632	CZ4T17VZ14	30	208-230/460	1.3	72.0	1.15	9.72	S, US, 12
1/2-0.37	1800	71	103396.00	√	1,687	CZ4T17VZ3	38	208-230/460	1.8	76.0	1.15	11.58	S, US, 12
1/2-0.37	1800	80	103398.00	√	1,687	CZ4T17VZ4	38	208-230/460	1.8	76.0	1.15	11.47	S, US, 12
3/4-0.55	1800	80	103399.00	√	1,789	CZ4T17WZ7	41	208-230/460	2.4	78.5	1.15	12.48	S, US, 13

Note 12 - TENV
Note 13 - TEFC

♥ Note listing on inside back flap
Specifications are subject to change without notice

IEC B3/ B5 Flange - Rigid Base - Three Phase - Totally Enclosed

HP/kW	SYN RPM 60 Hz	IEC Frame	Catalog Number	Stock	List Price	Model Number	App. Wgt. (lbs)	Voltage	F. L. Amps @ 230 V	% FL. Eff.	Service Factor	"C" Dim. (Inches)	♥Notes
1/3-0.25	1800	80	103408.00	√	1,659	CZ4T17VZ18	30	208-230/460	1.3	70.5	1.15	9.50	S, US, 12
1/2-0.37	1800	80	103409.00	√	1,711	CZ4T17VZ8	32	208-230/460	1.8	76.0	1.15	12.75	S, US, 12
3/4-0.55	1800	80	103410.00	√	1,883	CZ4T17WZ10	38	208-230/460	2.4	77.0	1.15	12.26	S, US, 13

Note 12 - TENV
Note 13 - TEFC

♥ Note listing on inside back flap
Specifications are subject to change without notice

IEC B3 / B14 Flange - Rigid Base - Three Phase - Totally Enclosed

HP/kW	SYN RPM 60 Hz	IEC Frame	Catalog Number	Stock	List Price	Model Number	App. Wgt. (lbs)	Voltage	F. L. Amps @ 230 V	% FL. Eff.	Service Factor	"C" Dim. (Inches)	♥Notes
1/3-0.25	1800	80	103400.00	√	1,687	CZ4T17VZ15	31	208-230/460	1.3	70.5	1.15	9.72	S, US, 12
1/2-0.37	1800	80	103401.00	√	1,923	CZ4T17VZ5	33	208-230/460	1.6	76.0	1.15	11.47	S, US, 12
3/4-0.55	1800	80	103402.00	√	1,932	CZ4T17WZ8	42	208-230/460	2.3	78.5	1.15	12.48	S, US, 13

Note 12 - TENV
Note 13 - TEFC

♥ Note listing on inside back flap
Specifications are subject to change without notice



Pump Motors
Washguard Motors
Agricultural Duty Motors
HVAC / Fan Motors
Special Voltage Motors
Definite Purpose Motors
Brake Motors
IEC Motors
DC Motors

Washguard® Motors

NEMA® Washguard

All-Stainless DC Motors - SCR Rated

IP55 Enclosure Protection



TEFC - SCR Rated 90 & 180V - NEMA - C Face With Base

HP	Full Load RPM	NEMA Frame	Catalog Number	Stock	List Price	Model Number	App. Wgt. (lbs)	Arm. Volts DC	Control Volts AC Input	F. L. Amps DC	"C" Dim. (Inches)	♥Notes
1/4	1750	S56C	109065.00	√	1,593	4D17VK24	38	90	115	3.1	11.81	S, US, 12
1/3	1750	S56C	109066.00	√	1,684	4D17VK25	44	90	115	3.8	12.81	S, US, 12
1/3	1750	S56C	109067.00	√	1,684	4D17VK26	44	180	230	1.9	12.81	S, US, 12
1/2	1750	S56C	109069.00	√	1,967	4D17WK9	46	90	115	5.2	13.87	S, US, 13
1/2	1750	S56C	109070.00	√	1,967	4D17WK10	46	180	230	2.7	13.87	S, US, 13
3/4	1750	S56C	109072.00	√	2,395	4D17WK13	54	90	115	7.5	15.37	S, US, 13
3/4	1750	S56C	109073.00	√	2,395	4D17WK14	48	180	230	3.7	15.37	S, US, 13
1	1750	S56C	109075.00	√	2,779	4D17WK16	51	90	115	9.5	16.37	S, US, 13
1	1750	S56C	109076.00	√	2,779	4D17WK17	50	180	230	5.0	16.37	S, US, 13

Base is welded to frame and not removable
 Note 12 - TENV
 Note 13 - TEFC

♥ Note listing on inside back flap
 Specifications are subject to change without notice



TEFC - SCR Rated 90 & 180V • NEMA - C Face Less Base

HP	Full Load RPM	NEMA Frame	Catalog Number	Stock	List Price	Model Number	App. Wgt. (lbs)	Arm. Volts DC	Control Volts AC Input	F. L. Amps DC	"C" Dim. (Inches)	♥Notes
1/4	1750	S56C	109078.00	√	1,555	4D17VC5	38	90	115	3.1	11.81	S, US, 12
1/3	1750	S56C	109079.00	√	1,647	4D17VC6	44	90	115	3.8	12.81	S, US, 13
1/3	1750	S56C	109080.00	√	1,647	4D17VC7	44	180	230	1.9	12.81	S, US, 13
1/2	1750	S56C	109082.00	√	1,932	4D17WC2	46	90	115	5.2	13.87	S, US, 13
1/2	1750	S56C	109083.00	√	1,932	4D17WC3	46	180	230	2.7	13.87	S, US, 13
3/4	1750	S56C	109085.00	√	2,358	4D17WC5	47	90	115	7.5	15.37	S, US, 13
3/4	1750	S56C	109086.00	√	2,358	4D17WC6	48	180	230	3.7	15.37	S, US, 13
1	1750	S56C	109088.00	√	2,744	4D17WC8	59	90	115	9.5	16.37	S, US, 13
1	1750	S56C	109089.00	√	2,744	4D17WC9	59	180	230	5.0	16.37	S, US, 13

Base is welded to frame and not removable
 Note 12 - TENV
 Note 13 - TEFC

♥ Note listing on inside back flap
 Specifications are subject to change without notice





Washguard® Motors

Metric (IEC) Frame PMDC Motors

All-Stainless DC Motors - SCR Rated

IP55 Enclosure Protection

Pump Motors

Washguard Motors

Agricultural Duty Motors

HVAC / Fan Motors

Special Voltage Motors

Definite Purpose Motors

Brake Motors

IEC Motors

DC Motors

TEFC - SCR Rated 180V - C Face With Base

HP/kW	Full Load RPM	IEC Frame	Catalog Number	Stock	List Price	Model Number	App. Wgt. (lbs)	Arm. Volts DC	Control Volts AC Input	F. L. Amps DC	"C" Dim. (Inches)	♥Notes
1/3 - 0.25	1750	80D	109068.00	√	1,684	4D17VK27	44	180	230	1.9	12.81	S, US, 12
1/2 - 0.37	1750	80D	109071.00	√	1,967	4D17WK11	46	180	230	2.7	13.87	S, US, 13
3/4 - 0.55	1750	80D	109074.00	√	2,395	4D17WK15	48	180	230	3.7	15.37	S, US, 13
1 - 0.75	1750	80D	109077.00	√	2,779	4D17WK18	50	180	230	5.0	16.37	S, US, 13

Base is welded to frame and not removable

Note 12 - TENV

Note 13 - TEFC

♥ Note listing on inside back flap
Specifications are subject to change without notice

TEFC - SCR Rated 180V - Metric (IEC) - All-Stainless Steel - C Face Less Base

HP/kW	Full Load RPM	IEC Frame	Catalog Number	Stock	List Price	Model Number	App. Wgt. (lbs)	Arm. Volts DC	Control Volts AC Input	F. L. Amps DC	"C" Dim. (Inches)	♥Notes
1/3 - 0.25	1750	80D	109081.00	√	1,647	4D17VC8	44	180	230	1.9	12.81	S, US, 12
1/2 - 0.37	1750	80D	109084.00	√	1,932	4D17WC4	46	180	230	2.7	13.87	S, US, 13
3/4 - 0.55	1750	80D	109087.00	√	2,358	4D17WC7	48	180	230	3.7	15.37	S, US, 13
1 - 0.75	1750	80D	109090.00	√	2,744	4D17WC10	50	180	230	5.0	16.37	S, US, 13

Note 12 - TENV

Note 13 - TEFC

♥ Note listing on inside back flap
Specifications are subject to change without notice

Flange And Face Kits For DC Metric (IEC) Frame Motors

The modular design concept of LEESON® metric DC motors has been applied to the all-stainless metric motors. Any flange or face kit can mount on any motor. This allows the greatest flexibility from the smallest inventory of motors.

B5 Flange Kits (For Stainless DC Metric Motors)

IEC Frame	Catalog Number	List Price	App. Wgt. (lbs)	BD Flange Dia. (mm)	AK Register (mm)	BF Hole (mm)	AJ Bolt Circle (mm)
71	175593.00	212	2	160	110	9	130
80	175594.00	255	3	200	130	12	165
90S/90L	175594.00	255	3	200	130	12	165
100L/112M	175595.00	399	5	250	180	15	215

Specifications are subject to change without notice

B14 Flange Kits (For Stainless DC Metric Motors)

IEC Frame	Catalog Number	List Price	App. Wgt. (lbs)	BD Flange Dia. (mm)	AK Register (mm)	BF Hole (mm)	AJ Bolt Circle (mm)
71	175596.00	175	1	105	70	6	85
80	175597.00	161	1	120	80	6	100
90S/90L	175598.00	439	1	140	95	6	115
100L/112M	175599.00	399	2	160	110	6	130

Specifications are subject to change without notice



Washguard® Motors

Extreme Duck® Ultra Washguard All-Stainless Motors
 Three Phase - Standard, NEMA® Premium

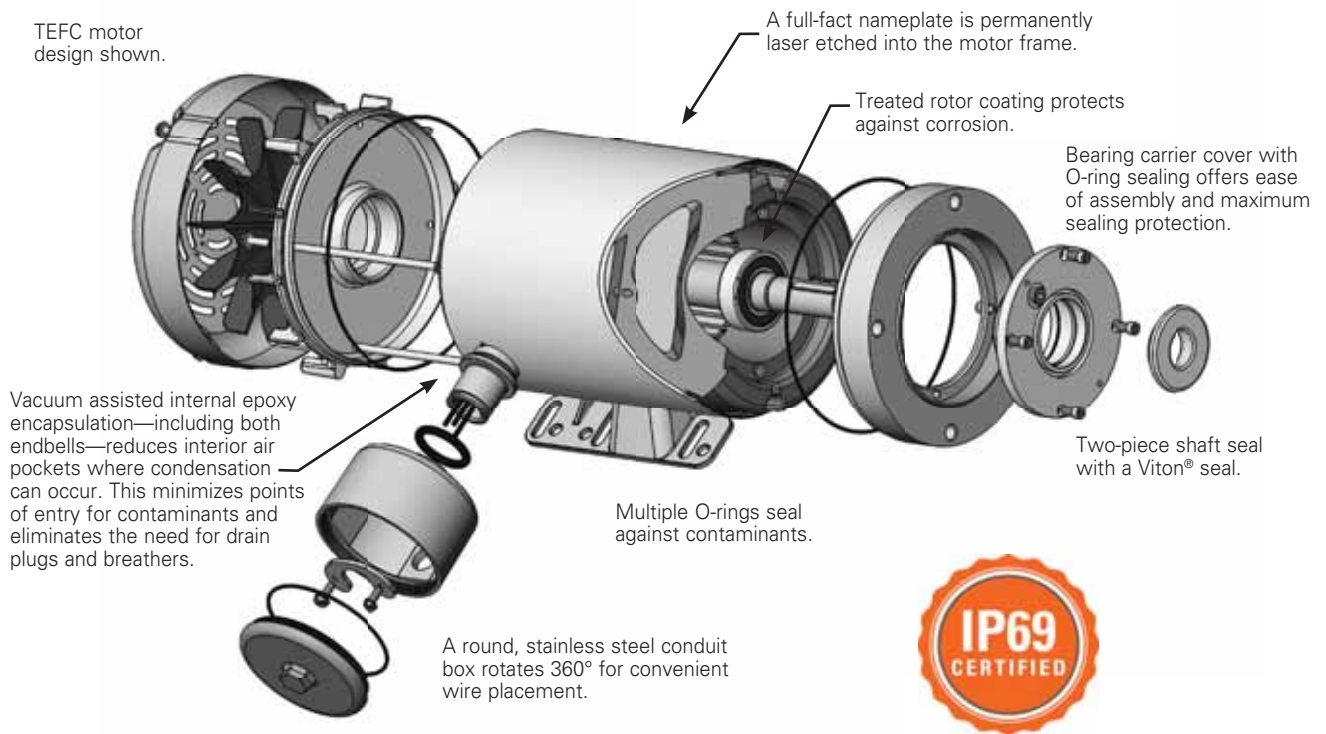


Extreme DUCK® ULTRA



It's what's inside that keeps what's outside- out.

300 Series stainless steel components include the frame, base, conduit box cover, endshields and bearing carrier cover. It's the perfect motor design for extreme washdown conditions.



NEMA is believed to be the trademark of National Electrical Manufacturers Corporation, and is not owned or controlled by Regal Beloit Corporation.

Viton is believed to be the trademark of Chemours Company, and is not owned or controlled by Regal Beloit Corporation.



Washguard® Motors

Extreme Duck® Ultra Washguard All-Stainless Motors

Three Phase - Standard, EPAct & NEMA Premium® Ratings



General Specifications:

These revolutionary designed stainless steel motors are built using our “Voice of the customer” design criteria to withstand extreme washdown and sanitation requirements of the food processing, pharmaceutical, packaging and beverage industries. Our innovative hydro sealed system “HS2” protects from the “outside-in” by reducing entrance points of contaminants and eliminates the need for drain plugs and breathers. This proven process also minimizes exterior hardware, which may trap application elements. Our unique Q-Car™ rotor cartridge seal system, “Q-Car,” gives quick access to the interior of the motor should the need arise. 300-series stainless steel used on all exterior surfaces gives ideal protection against severe chemical-processing applications and frequent washdown processes using salt water, nitric acids and solvents.

Mechanical Protection Features:

- Easily removed Q-Car rotor cartridge for easy bearing replacement. Disassembles by removing four bolts saving you time and money
- Full-face nameplate permanently laser etched into motor frame will never be separated from motor
- Double-sealed ball bearings with high temperature grease
- Two-piece shaft seal resists water for improved performance in vertical installations. Provides three points of protection on both ends of the motor
- Colored, non-wicking leads for easy connection and installation
- Chemical and abrasion resistant lead markers
- 360° rotatable round conduit box for convenient wire placement
- Conduit box lead hole location rotatable on TEFC designs
- NEMA Premium efficiency - 1 HP and above
- IP69 certified enclosure protection

Electrical Performance and Protection Features:

- Fully encapsulated internal epoxy encapsulation—including both endbells—reduces air pockets where condensation can occur. Points of entry for contaminants are minimized, and drain plugs and breathers are eliminated.
- Our exclusive IRIS® inverter rated insulation system provides extra protection and long life, especially when used in applications driven by an inverter
- 10:1 constant torque operation

Standards and Approvals

- Motors are UL component recognized – file number E57948, guide number PRGY2
- CSA Energy Efficiency Verification Program, report number EEV 78720-1
- Construction is CSA Certified for safety, report number LR33543 and listed under BISSC authorization number 7690,0625
- IP69 Certified IEC60529
- IP69K tested per DIN 40050-9

ProTech is believed to be the trademark of Parker Hannifin Corp., and is not owned or controlled by Regal Beloit Corporation.

NEMA is believed to be the trademark of National Electrical Manufacturers Corporation, and is not owned or controlled by Regal Beloit Corporation.



- Pump Motors
- Washguard Motors
- Agricultural Duty Motors
- HVAC / Fan Motors
- Special Voltage Motors
- Definite Purpose Motors
- Brake Motors
- IEC Motors
- DC Motors

Washguard® Motors

Extreme Duck® Ultra Washguard All-Stainless Motors

Three Phase - Standard & NEMA® Premium Ratings



Features:

- IP69 certified enclosure protection
- Fully encapsulated internal epoxy encapsulation reduces points of entry for contaminants and eliminates need for drain plugs and breathers
- Two-piece shaft seal technology provides three points of protection on both ends of the motor
- Easily removed Q-Car™ rotor cartridge makes bearing replacement ultra simple
- 360° rotatable round conduit box for convenient wire placement
- Colored, non-wicking, chemical and abrasion-resistant leads for easy connection and installation



Three Phase - Totally Enclosed - C Face With Base - IP69

HP	SYN RPM 60 Hz	NEMA Frame	Catalog Number	Stock	List Price	Model Number	App. Wgt. (lbs)	Voltage	F. L. Amps @ 230 V	% F.L. Eff.	Service Factor	"C" Dim. (Inches)	♥Notes
1/2	3600	56C	117118.00	√	1,763	CZ6T34TK1	39	208-230/460	1.6	82.5	1.15	10.47	S, US, 12
1/2	1800	S56C	103411.00	√	1,744	CZ4T17TK1	33	208-230/460	1.8	76.0	1.15	11.49	S, US, 12
1/2	1800	56C	117119.00	√	1,855	CZ6T17TK1	44	208-230/460	1.6	78.5	1.15	10.97	S, US, 12
1/2	1200	56C	119266.00	√	1,979	CZ6T11TK1	43	208-230/460	2.3	77.0	1.15	11.71	S, US, 12
3/4	3600	56C	117120.00	√	1,825	CZ6T34TK2	49	208-230/460	2.4	84.0	1.15	10.72	S, US, 12
3/4	1800	S56C	103412.00	√	1,855	CZ4T17UK1	39	208-230/460	2.4	77.0	1.15	12.50	S, US, 13
3/4	1800	56C	117121.00	√	1,925	CZ6T17TK2	47	208-230/460	2.3	80.0	1.15	11.47	S, US, 12
3/4	1200	56C	119267.00	√	2,045	CZ6T11TK2	50	208-230/460	3.0	78.5	1.15	13.21	S, US, 12
1	3600	56C	117122.00	√	1,959	CZ6T34TK3	48	230/460	2.6	77.0	1.15	11.22	S, US, 12
1	1800	56C	119975.00	√	2,135	CZ6T17TK5	53	230/460	2.8	85.5	1.15	13.21	S, US, 12
1	1800	56C	119511.00	√	2,135	CZ6T17UK1	53	208-230/460	3.2	85.5	1.15	11.94	S, US, 13
1	1800	143TC	122219.00	√	2,164	CZ145T17WK2	55	208-230/460	3.2	85.5	1.15	12.50	S, US, 13
1	1200	56C	119513.00	√	2,343	CZ6T11UK1	58	230/460	3.8	82.5	1.15	12.69	S, US, 13
1 1/2	3600	143TC	G121748.00	D	—	CZ143T34WK4	54	230/460	4.0	82.5	1.15	11.25	S, US, 13
1 1/2	3600	143TC	121879.00	√	2,224	CZ143T34UK1	54	230/460	4.0	84.0	1.15	11.75	S, US, 13
1 1/2	1800	56C	119522.00	√	2,204	CZ6T17UK2	58	230/460	4.8	86.5	1.15	12.44	S, US, 13
1 1/2	1800	145TC	121880.00	√	2,216	CZ143T17UK1	58	230/460	4.8	86.5	1.15	12.75	S, US, 13
2	3600	145TC	121881.00	√	2,570	CZ145T34UK1	62	230/460	4.8	85.5	1.15	12.75	S, US, 13
2	1800	56HC	119523.00	√	2,585	CZ6T17UK3	63	208-230/460	5.8	86.5	1.15	13.19	S, US, 13
2	1800	145TC	121882.00	√	2,598	CZ145T17UK1	64	230/460	5.8	86.5	1.15	13.25	S, US, 13
3	3600	56C	119526.00	√	2,660	CZ6T34UK1	65	230/460	8.0	86.5	1.15	12.94	S, US, 13
3	3600	184TC	132646.00	√	3,112	C182T34UK1	85	230/460	7.6	86.5	1.15	—	S, MX, 13
3	1800	184TC	132647.00	√	3,103	C182T17UK1	90	230/460	7.8	89.5	1.15	15.78	S, MX, 13
5	3600	184TC	132648.00	√	3,117	C184T34UK1	103	230/460	12.4	88.5	1.15	15.78	S, MX, 13
5	1800	184TC	132649.00	√	3,111	CZ184T17UK1	101	230/460	12.6	89.5	1.15	15.78	S, MX, 13
7 1/2	3600	213TC	141409.00	√	4,167	C213T17UK1	168	230/460	18.6	89.5	1.15	—	S, MX, 13
7 1/2	1800	213TC	141410.00	√	4,477	C213T17UK1	173	230/460	19.2	91.7	1.15	—	S, MX, 13
10	3600	215TC	141411.00	√	4,482	C215T34UK1	182	230/460	23.6	90.2	1.15	19.18	S, MX, 13
10	1800	215TC	141412.00	√	5,007	CZ215T17UK1	203	230/460	26.4	91.7	1.15	19.18	S, MX, 13

Green items are Premium Efficient

D - Item to be discontinued once inventory is depleted

Note 12 - TENV

Note 13 - TEFC

♥ Note listing on inside back flap
Specifications are subject to change without notice





Washguard® Motors

Extreme Duck® Ultra Washguard All-Stainless Motors Three Phase - Standard & NEMA® Premium Ratings

Three Phase - Totally Enclosed - Encapsulated - C Face Less Base - IP69

HP	SYN RPM 60 Hz	NEMA Frame	Catalog Number	Stock	List Price	Model Number	App. Wgt. (lbs)	Voltage	F. L. Amps @ 230 V	% F.L. Eff.	Service Factor	"C" Dim. (Inches)	Notes
1/3	1800	48C	103417.00	√	1,769	CZ4T17TC2	31	208-230/460	1.3	70.5	1.15	9.58	S, US, 12
1/2	3600	56C	117126.00	√	1,876	CZ6T34TC1	38	208-230/460	1.6	82.5	1.15	10.47	S, US, 12
1/2	1800	48C	103418.00	√	1,842	CZ4T17TC3	41	208-230/460	1.8	76.0	1.15	11.33	S, US, 12
1/2	1800	S56C	103413.00	√	1,637	CZ4T17TC1	32	208-230/460	1.8	76.0	1.15	11.49	S, US, 12
1/2	1800	56C	117127.00	√	1,820	CZ6T17TC1	43	208-230/460	1.6	78.5	1.15	10.97	S, US, 12
3/4	3600	56C	117128.00	√	1,789	CZ6T34TC2	45	208-230/460	2.4	84.0	1.15	10.72	S, US, 12
3/4	1800	S56C	103414.00	C/A	1,737	CZ4T17UC1	38	208-230/460	2.4	77.0	1.15	12.50	S, US, 13
3/4	1800	56C	117129.00	√	1,893	CZ6T17TC2	46	208-230/460	2.3	80.0	1.15	11.47	S, US, 12
1	3600	56C	117130.00	√	1,923	CZ6T34TC3	47	230/460	2.6	77.0	1.15	11.22	S, US, 12
1	1800	56C	119976.00	√	2,133	CZ6T17TC3	54	230/460	2.8	85.5	1.15	13.22	S, US, 12
1	1800	56C	119512.00	√	2,133	CZ6T17UC1	53	208-230/460	3.2	85.5	1.15	11.94	S, US, 13
1 1/2	3600	143TC	121908.00	√	2,187	CZ143T34UC1	53	230/460	4.0	84.0	1.15	11.69	S, US, 13
1 1/2	1800	56C	119520.00	√	2,175	CZ6T17UC2	55	208-230/460	4.8	86.5	1.15	12.22	S, US, 13
1 1/2	1800	145TC	121909.00	√	2,182	CZ143T17UC1	55	230/460	4.8	86.5	1.15	12.69	S, US, 13
2	3600	145TC	121910.00	√	2,534	CZ145T34UC1	55	230/460	4.8	85.5	1.15	12.69	S, US, 13
2	1800	145TC	121911.00	√	2,562	CZ145T17UC1	56	230/460	5.8	86.5	1.15	13.19	S, US, 13
2	1800	56C	119524.00	√	2,550	CZ6T17UC3	60	208-230/460	5.8	86.5	1.15	13.19	S, US, 13
3	3600	56C	119525.00	√	2,639	CZ6T34UC1	61	208-230/460	8.0	86.5	1.15	12.94	S, US, 13

Green items are Premium Efficient

C/A - Check Availability

Note 12 - TENV

Note 13 - TEFC

♥ Note listing on inside back flap
Specifications are subject to change without notice

Q-Car™ Replacement Kits - Extreme Duck Ultra Motors

Kit makes replacing worn bearings ultra simple. No special tools, no damaged seals.

Features:

- The kit ensures a perfectly fitted and watertight bearing with no additional machining required in a matter of minutes
- Maintains factory IP69 rating
- Easily replaced in the field reducing costly downtime



Kit #	Motor where used	Kit Description	List Price
176250.00	117119.00, 117127.00	1/2 HP, 1800RPM, 56 FR - TENV design	\$362
176294.00	117118.00, 117126.00	1/2 HP, 3600RPM, 56C FR - TENV design	\$362
176295.00	117120.00, 117128.00	3/4 HP, 3600RPM, 56C FR - TENV design	\$362
176251.00	117121.00, 117129.00	3/4 HP, 1800RPM, 56 FR - TENV design	\$362
176297.00	103414.00	3/4 HP, 1800RPM, S56C FR - TEFC design	\$362
176252.00	117122.00, 117130.00	1 HP, 3600RPM 56 FR - TENV design	\$356
176253.00	119975.00, 119976.00	1 HP, 1800RPM, 56FR - TENV design	\$409
176254.00	119511.00, 119512.00	1 HP, 1800RPM, 56 FR - TEFC design	\$409
176255.00	122219.00	1 HP, 1800RPM, 143TC FR - TEFC design	\$413
176261.00	119520.00, 119522.00	1 1/2 HP, 1800RPM, 56C FR - TEFC design	\$418
176296.00	121879.00, 121908.00	1 1/2 HP, 3600RPM, 56C FR - TEFC design	\$432
176256.00	121880.00, 121909.00	1 1/2 HP, 1800RPM, 143TC FR - TEFC design	\$432
176258.00	119523.00, 119524.00	2 HP, 1800RPM, 56 FR - TEFC design	\$431
176257.00	121881.00, 121910.00	2 HP, 3600RPM, 145TC FR - TEFC design	\$427
176259.00	121882.00, 121911.00	2 HP, 1800RPM, 145TC FR - TEFC design	\$436
176298.00	119530.00, 119531.00	3 HP, 3600RPM, S56C FR - TEFC design	\$498



Washguard® Motors

Extreme Duck® Ultra Motors with Shaft Grounding Rings (SGRs)
SGRs help prevent bearing damage when running motors with AC Controls



Pump Motors

Washguard Motors

Agricultural Duty Motors

HVAC / Fan Motors

Special Voltage Motors

Definite Purpose Motors

Brake Motors

IEC Motors

DC Motors

Three Phase - Totally Enclosed - Rigid C Face - IP69

HP	SYN RPM 60 Hz	NEMA Frame	Catalog Number	Stock	List Price	Model Number	App. Wgt. (lbs)	Voltage	F. L. Amps @ 230 V	% F.L. Eff.	Service Factor	"C" Dim. (Inches)	♥Notes
1/2	1800	56C	117906.00	√	1,958	CZ6T17TK3	40	208-230/460	1.6	78.5	1.15	10.97	S, US, 12
3/4	1800	56C	117907.00	√	2,027	CZ6T17TK4	47	208-230/460	2.3	80.0	1.15	11.47	S, US, 12
1	1800	56C	119527.00	√	2,216	CZ6T17UK4	55	208-230/460	3.2	85.5	1.15	11.97	S, US, 12
1 1/2	1800	56C	119528.00	√	2,264	CZ6T17UK5	58	230/460	4.8	85.5	1.15	12.69	S, US, 13
1 1/2	1800	143TC	122221.00	√	2,279	CZ143T17UK3	59	230/460	4.8	86.5	1.15	12.75	S, US, 13
2	1800	56C	119529.00	√	2,873	CZ6T17UK6	61	230/460	5.8	86.5	1.15	13.19	S, US, 13
2	1800	145TC	122222.00	√	2,873	CZ145T17UK2	62	208-230/460	5.8	86.5	1.15	13.25	S, US, 13
3	3600	56C	119530.00	√	2,758	CZ6T34UK2	61	230/460	8.0	86.5	1.15	13.19	S, US, 13

Green items are Premium Efficient

Note 12 - TENV
 Note 13 - TEFC

♥ Note listing on inside back flap
 Specifications are subject to change without notice

Three Phase - Totally Enclosed - C Face Less Base - IP69

HP	SYN RPM 60 Hz	NEMA Frame	Catalog Number	Stock	List Price	Model Number	App. Wgt. (lbs)	Voltage	F. L. Amps @ 230 V	% F.L. Eff.	Service Factor	"C" Dim. (Inches)	♥Notes
3	3600	56C	119531.00	√	2,738	CZ6T34UC2	62	230/460	8.0	86.5	1.15	13.19	S, US, 13
3	1800	145TC	122118.00	D	2,682	CZ145T17WC42	63	208-230/460	8.6	82.5	1.15	13.19	S, US, 13

Green items are Premium Efficient

D - Item to be discontinued once inventory is depleted
 Note 13 - TEFC
 Note: No Premium Eff. replacement for 122118.00

♥ Note listing on inside back flap
 Specifications are subject to change without notice



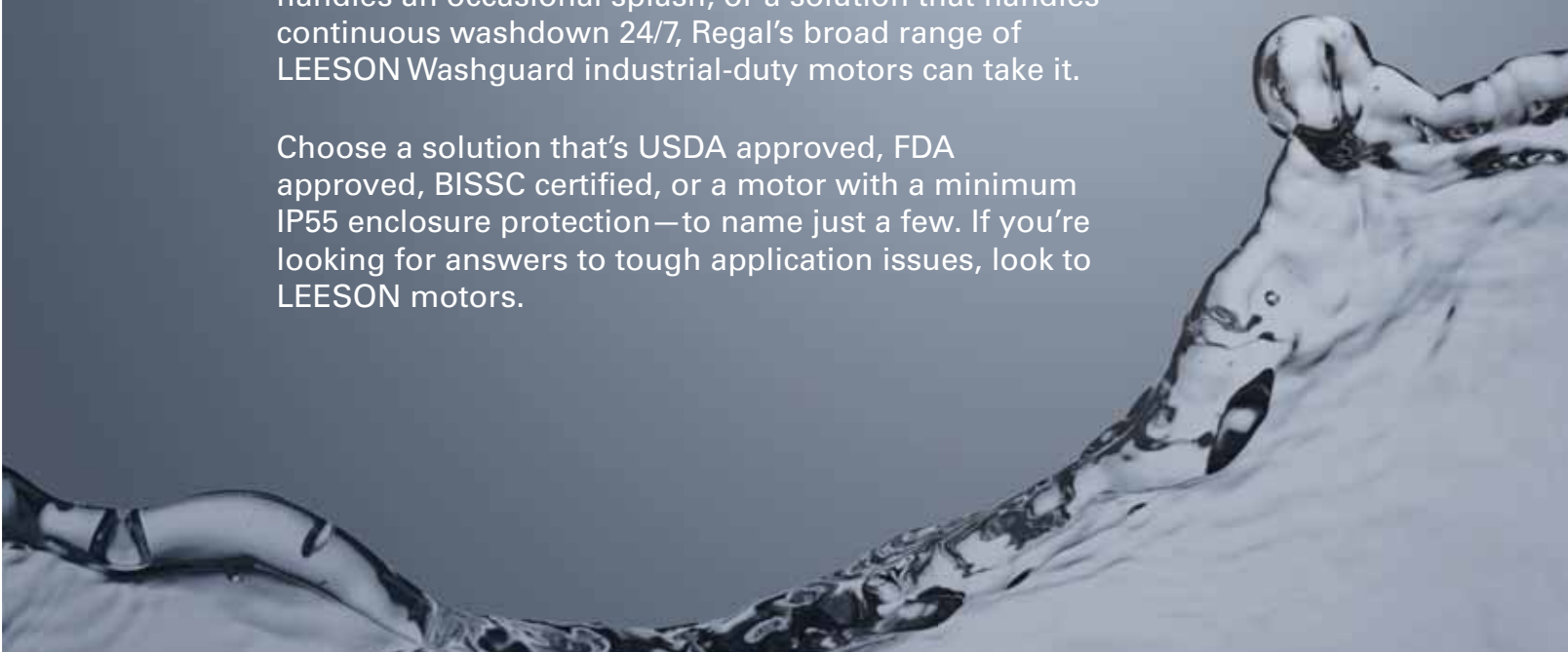
NOTHING SHEDS WATER LIKE A DUCK.

LEESON® WASHGUARD® INDUSTRIAL-DUTY MOTORS.



LEESON® Washguard® motors deliver something most motors can't—the confidence to know your applications will be up and running no matter what you throw at them. Whether you need a motor that handles an occasional splash, or a solution that handles continuous washdown 24/7, Regal's broad range of LEESON Washguard industrial-duty motors can take it.

Choose a solution that's USDA approved, FDA approved, BISSC certified, or a motor with a minimum IP55 enclosure protection—to name just a few. If you're looking for answers to tough application issues, look to LEESON motors.



General Purpose & Definite Purpose - Agricultural Duty Motors

Pump
Motors

Washguard
Motors

Agricultural
Duty Motors

HVAC / Fan
Motors

Special Voltage
Motors

Definite
Purpose
Motors

Brake
Motors

IEC Motors

DC Motors



- Gasketed capacitor cases and conduit box covers
- Meets or exceeds NEMA® service factors
- Single phase and three phase designs
- Double sealed ball bearings
- Double shielded ball bearings on ag fan motors
- Condensate drains on general purpose ag motors
- Low temperature manual overload protected
- High and extra high starting torque ratings
- UL recognized component listing and CSA certified

Applications:

For use where exposure to water, dust and dirt exists. Ideally suited for use in farm / ag equipment such as feeders, conveyors, fans, grain elevators, silo unloaders, and other demanding farm duty equipment.



Agricultural Duty Motors

ECO Ag® - Premium Efficient Farm Duty Motors

Features:

- Up to 22% higher efficiency than standard ag motors
- Sealed bearings
- Shaft flinger - output shaft
- High starting torque
- Manual overload protected
- Weep holes provide condensation drains



Single Phase - TEFC - Rigid Base

HP	SYN RPM 60 Hz	NEMA Frame	Catalog Number	Stock	List Price	Model Number	App. Wgt. (lbs)	Voltage	Over-load Prot.	F. L. Amps @ 230V	% FL. Eff.	Service Factor	"C" Dim. (Inches)	♥Notes
1/3	1800	56	117689.00	√	624	M6K17FB56	27	115/208-230	Man.	1.7	76.0	1.15	10.99	S, US, 53
1/2	1800	56	117690.00	√	777	M6K17FB57	30	115/208-230	Man.	2.5	78.0	1.15	11.49	S, US, 53
3/4	1800	56	117691.00	√	860	M6K17FB60	35	115/208-230	Man.	3.2	82.0	1.15	11.99	S, US, 53
1	1800	56	117692.00	√	969	M6K17FB58	37	115/208-230	Man.	4.2	83.0	1.15	12.49	S, US, 53
1	1800	143T	121973.00	√	982	M143K17FB3	38	115/208-230	Man.	4.2	83.0	1.15	12.93	S, US, 53
1 1/2	1800	56H	117693.00	√	1,102	M6K17FB59	43	115/208-230	Man.	6.5	84.0	1.15	13.49	S, US, 53
1 1/2	1800	145T	121974.00	√	1,121	M143K17FB4	44	115/208-230	Man.	6.5	84.0	1.15	13.93	S, US, 53
2	1800	145T	121975.00	√	1,519	M145K17FB29	49	230	Man.	8.2	85.0	1.15	14.43	S, US, 53

Green items are Premium Efficient

♥ Note listing on inside back flap Specifications are subject to change without notice

Three Phase Ag Duty Motors - Eco Ag® Designs

Features:

- Premium efficient designs
- Double sealed ball bearings
- Shaft flinger - output shaft
- Normally closed thermostat protected
- Weep holes provide condensation drains



Three Phase - TEFC - Rigid Base

HP	SYN RPM 60 Hz	NEMA Frame	Catalog Number	Stock	List Price	Model Number	App. Wgt. (lbs)	Voltage	Over-load Prot.	F. L. Amps @ 230V	% FL. Eff.	Service Factor	"C" Dim. (Inches)	♥Notes
1/2	1800	56	117772.00	√	696	C6T17FB163	30	208-230/460	T-stat	1.6	80.0	1.25	10.98	S, US
3/4	1800	56	117759.00	√	762	C6T17FB160	31	208-230/460	T-stat	2.4	81.5	1.25	11.48	S, US
1	1800	56	117760.00	√	934	C6T17FB161	34	230/460	T-stat	3.2	85.5	1.25	12.48	S, US
1 1/2	1800	56H	117761.00	√	951	C6T17FB162	39	230/460	T-stat	4.8	86.5	1.25	12.98	S, US
1 1/2	1800	145T	121997.00	√	967	C145T17FB98	41	230/460	T-stat	4.8	86.5	1.15	12.98	S, US
2	1800	145T	121998.00	√	1,007	C145T17FB99	45	230/460	T-stat	5.8	86.5	1.15	13.98	S, US
3	1800	184T	132328.00	√	1,136	C182T17FB54	80	230/460	T-stat	7.8	89.5	1.15	13.96	S, MX
5	1800	184T	132329.00	√	1,248	C184T17FB67	94	230/460	T-stat	12.6	89.5	1.15	14.96	S, MX
7 1/2	1800	213T	141145.00	√	1,598	C213T17FB22	159	230/460	T-stat	21.6	91.7	1.25	18.70	S, MX
10	1800	215T	141146.00	√	1,932	C215T17FB23	176	230/460	T-stat	26.8	91.7	1.25	19.70	S, MX

Green items are Premium Efficient

♥ Note listing on inside back flap Specifications are subject to change without notice



Pump Motors
Washguard Motors
Agricultural Duty Motors
HVAC / Fan Motors
Special Voltage Motors
Definite Purpose Motors
Brake Motors
IEC Motors
DC Motors

Agricultural Duty Motors

High Torque - General Purpose



Single Phase - TEFC - Rigid Base

HP	SYN RPM 60 Hz	NEMA Frame	Catalog Number	Stock	List Price	Model Number	App. Wgt. (lbs)	Voltage	Over- load Prot.	F. L. Amps @ 230V	Service Factor	"C" Dim. (Inches)	♥Notes
1/3	1800	56	113256.00	√	570	M6C17FB66	23	115/208-230	Man.	3.2	1.15	10.48	S, US
1/3	1800	56	LM24789	√	574	SRF4S0.33T1C6028AP7TP1	24	115/208-230	Man.	3.3	1.15	11.82	S, MX
1/2	1800	56	110086.00	√	662	M6C17FB11	25	115/208-230	Man.	4.4	1.15	10.48	S, US
1/2	1800	56	LM24790	√	674	SRF4S0.5T1C6028AP7TP1	25	115/208-230	Man.	4.4	1.15	11.82	S, MX
3/4	1800	56	110087.00	√	783	M6C17FB9	29	115/208-230	Man.	5.4	1.15	11.48	S, US
3/4	1800	56	LM24791	√	792	SRF4S0.75T1C6028AP7TP1	30	115/208-230	Man.	5.5	1.15	12.32	S, MX
1	1800	56	110088.00	√	899	M6C17FB10	33	115/208-230	Man.	7.0	1.15	11.98	S, US
1	1800	56	LM24792	√	905	SRF4S1T1C6028AP7TP1	32	115/208-230	Man.	6.7	1.15	12.82	S, MX
1	1800	143T	121569.00	√	905	M143C17FB13	33	115/208-230	Man.	7.0	1.15	12.93	S, US
1	1800	143T	LM24793	√	927	SSF4S1T1C6028AP7TP1	33	115/208-230	Man.	6.7	1.15	12.87	S, MX
1 1/2	1800	56H	110089.00	√	1,003	M6K17FB3	40	115/208-230	Man.	8.6	1.15	12.99	S, US
1 1/2	1800	56H	LM24794	√	1,022	SRF4S1.5T1B6028AP7TP1	41	115/208-230	Man.	7.6	1.15	13.82	S, MX
1 1/2	1800	56HZ	113938.00	√	1,021	M6K17FB39	42	115/208-230	Man.	8.6	1.15	13.43	S, US, 3, 53
1 1/2	1800	145T	LM24795	√	1,110	SSF4S1.5T1B6028AP7TP1	41	115/208-230	Man.	7.6	1.15	13.87	S, MX
2	1800	56HZ	110090.00	√	1,438	M6K17FB4	46	230	Man.	9.2	1.15	13.93	S, US, 3, 53
2	1800	182T	131541.00	√	1,532	P182C17FB12	65	115/208-230	Man.	12.4	1.15	14.46	S, MX
3	1800	184T	131542.00	√	1,604	P184C17FB13	86	230	Man.	19.0	1.15	16.46	S, MX
3	1800	184T	LM24797	√	1,565	SS184F4S3T1C66AP7TP1	88	230	Man.	19.0	1.00	16.46	S, MX
5	1800	184T	131543.00	√	2,012	P184K17FB16	98	230	Man.	20.5	1.15	17.46	S, MX, 53
5	1800	184T	LM24798	C/A	2,048	SSF4S5T1B66AP71TP1	75	230	Man.	20.5	1.15	17.46	S, MX, 53
7 1/2	1800	215T	140707.00	√	2,403	P215K17FB15	157	230	Man.	32.0	1.15	20.21	S, MX, 53
7 1/2	1800	215T	LM24799	√	2,525	SS215F4S75T1B66AP7TP1	137	230	Man.	30.0	1.15	21.09	S, MX, 53
10	1800	215T	140706.00	√	2,815	P215K17FB16	155	230	Man.	40.0	1.15	20.71	S, MX, 53

C/A - Check Availability

♥ Note listing on inside back flap
Specifications are subject to change without notice



Agricultural Duty Motors

Hi-Torque and Extra Hi-Torque



Single Phase - TEFC - Rigid Base - Extra Hi-Torque - 5, 7 1/2 & 10 HP

HP	SYN RPM 60 Hz	NEMA Frame	Catalog Number	Stock	List Price	Model Number	App. Wgt. (lbs)	Voltage	Over-load Prot.	F. L. Amps @ 230V	Service Factor	"C" Dim. (Inches)	Notes
2	1800	182T	131541.00	√	1,532	P182C17FB12	65	115/208-230	Man.	12.4	1.15	14.46	S, MX
3	1800	184T	131542.00	√	1,604	P184C17FB13	86	230	Man.	19.0	1.15	16.46	S, MX
5	1800	184T	LM24802	√	1,976	SSF4S5TB6008AP8TP1	139	208-230	Man.	22.5	1.15	17.46	S, MX
5	1800	213TZ	LM24803	√	2,407	SS213F4S5TZB66AP8TP1-1	115	230	Man.	22.6	1.15	18.34	S, MX, 53
5	1800	215T	140203.00	D	2,451	P215K17FB3	122	230	Man.	24.0	1.15	18.71	S, MX, 53
5	1800	215T	141433.00	√	2,451	P215K17FB82	125	230	Man.	22.6	1.15	18.71	S, MX, 53
5	1800	215TZ	140223.00	D	2,454	P215K17FB5	153	230	Man.	24.0	1.15	18.71	S, MX, 4, 53
5	1800	215TZ	141432.00	√	2,454	P215K17FB81	153	230	Man.	22.6	1.15	18.71	S, MX, 4, 53
7 1/2	1800	215T	140130.00	D	2,620	P215K17FB2	144	230	Man.	33.6	1.15	20.21	S, MX, 53
7 1/2	1800	215T	141434.00	√	2,474	P215K17FB78	152	230	Man.	30.5	1.15	21.09	S, MX, 53
7 1/2	1800	215TZ	140209.00	D	2,823	P215K17FB4	159	230	Man.	33.6	1.15	20.21	S, MX, 4, 53
7 1/2	1800	215TZ	141427.00	√	2,823	P215K17FB79	159	230	Man.	30.5	1.15	21.09	S, MX, 4, 53
7 1/2	1800	215TZ	LM24804	√	2,674	SS215F4S75TZ1B66AP8TP1-1	144	230	Man.	30.5	1.15	21.09	S, MX, 53
10	1800	215T	140414.00	√	3,071	P215K17FB6	156	230	Man.	40.0	1.15	20.71	S, MX, 53
10	1800	215T	LM24805	√	3,016	SSF4S10T1B66AP8TP1	152	230	Man.	40.0	1.00	21.48	S, MX, 53

♥ Note listing on inside back flap
Specifications are subject to change without notice

Single Phase - TEFC - High Torque - C Face Less Base

HP	SYN RPM 60 Hz	NEMA Frame	Catalog Number	Stock	List Price	Model Number	App. Wgt. (lbs)	Voltage	Over-load Prot.	F. L. Amps @ 230V	Service Factor	"C" Dim. (Inches)	Notes
1/3	1800	56C	113290.00	√	753	M6C17FC59	26	115/208-230	Man.	3.2	1.15	10.98	S, US
1/2	1800	56C	110492.00	√	861	M6C17FC12	24	115/208-230	Man.	4.4	1.15	10.98	S, US
3/4	1800	56C	110493.00	√	1,008	M6C17FC13	28	115/208-230	Man.	5.4	1.15	11.48	S, US
1	1800	56C	110494.00	√	1,143	M6C17FC14	36	115/208-230	Man.	7.0	1.15	11.98	S, US
1 1/2	1800	56C	110495.00	√	1,298	M6K17FC3	40	115/208-230	Man.	8.6	1.15	12.99	S, US, 53
2	1800	145TC	120855.00	√	1,686	M145K17FC13	45	230	Man.	9.2	1.15	14.18	S, US, 53
3	1800	184TC	131603.00	√	2,285	P184C17FC5	107	230	Man.	19.0	1.15	16.44	S, MX
5	1800	184TC	131602.00	√	2,804	P184K17FC7	107	230	Man.	20.5	1.15	17.44	S, MX, 53

♥ Note listing on inside back flap
Specifications are subject to change without notice

Single Phase - TEFC - High Torque - C Face With Base

HP	SYN RPM 60 Hz	NEMA Frame	Catalog Number	Stock	List Price	Model Number	App. Wgt. (lbs)	Voltage	Over-load Prot.	F. L. Amps @ 230V	Service Factor	"C" Dim. (Inches)	Notes
1/3	1800	56C	116485.00	√	846	M6C17FK81	29	115/208-230	Man.	3.2	1.15	10.99	S, US
1/2	1800	56C	116486.00	√	895	M6C17FK80	30	115/208-230	Man.	4.4	1.15	10.99	S, US
3/4	1800	56C	116487.00	√	1,040	M6C17FK79	30	115/208-230	Man.	5.4	1.15	11.49	S, US
1	1800	56C	116488.00	√	1,181	M6C17FK78	34	115/208-230	Man.	7.0	1.15	11.99	S, US
1 1/2	1800	56HC	116489.00	√	1,329	M6K17FK47	44	115/208-230	Man.	8.6	1.15	12.99	S, US, 53
2	1800	145TC	121625.00	√	1,693	M145K17FK11	46	230	Man.	9.2	1.15	14.18	S, US, 53
3	1800	184TC	131994.00	√	2,328	P184C17FK10	105	230	Man.	19.0	1.15	16.47	S, MX
5	1800	184TC	131995.00	√	2,817	P184K17FK13	105	230	Man.	20.5	1.15	17.47	S, MX, 53

♥ Note listing on inside back flap
Specifications are subject to change without notice



Pump Motors

Washguard Motors

Agricultural Duty Motors

HVAC / Fan Motors

Special Voltage Motors

Definite Purpose Motors

Brake Motors

IEC Motors

DC Motors

Agricultural Duty Motors

Fan Duty - Single and Three Phase

Two-Winding Variable Torque PSC Type For Shaft Mounted Fan Application

Features:

- Variable torque
- PSC type for shaft mounted fan applications
- Listed speed or two speed operation using the proper auxiliary switch
- Extended through-bolts
- Epoxy painted



Single Phase - TEAO - Resilient Base - PSC Type

HP	SYN RPM 60 Hz	NEMA Frame	Catalog Number	Stock	List Price	Model Number	App. Wgt. (lbs)	Voltage	Over-load Prot.	F. L. Amps @ 230V	Service Factor	"C" Dim. (Inches)	♥Notes
1/4	1625	48Z	100803.00	√	441	A4P17NR1	19	115/230	Auto.	1.4	1.0	10.66	S, MX, 16, 34
1/4	1075	48Z	100824.00	√	499	A4P11NR2	20	115/230	Auto.	1.4	1.0	10.66	S, MX, 16, 34
1/4	1075	S56Z	100805.00	√	552	A4P11NJ1	22	115/230	Auto.	1.4	1.0	11.06	S, MX, 17, 34
1/3	1625	48Z	100804.00	√	459	A4P17NR2	21	115/230	Auto.	1.6	1.0	10.66	S, MX, 16, 34
1/3	1625	S56H	100767.00	√	530	A4P17NJ1	22	115/230	Auto.	1.6	1.0	10.31	S, MX, 34
1/3	1625	56HY	111348.00	√	577	A6P17NZ6	24	115/230	Auto.	1.7	1.0	12.94	S, US, 59
1/3	1075	48Z	100825.00	√	541	A4P11NR3	25	115/230	Auto.	1.8	1.0	11.16	S, MX, 16, 34
1/3	1075	S56HZ	100806.00	√	581	A4P11NJ2	27	115/230	Auto.	1.8	1.0	11.56	S, MX, 17, 34
1/2	1625	56HZ	111323.00	√	660	A6P17NR3	30	115/230	Auto.	2.6	1.0	12.60	S, US, 17, 34
1/2	1625	S56H	100768.00	√	544	A4P17NJ2	36	115/230	Auto.	2.2	1.0	10.81	S, MX, 34
1/2	1075	48Z	101645.00	√	585	A4P11NR6	33	115/230	Auto.	2.8	1.0	11.16	S, MX, 16, 34
1/2	1075	56HZ	111321.00	√	685	A6P11NR1	37	115/230	Auto.	3.0	1.0	13.60	S, US, 17, 34
1/2	850	48YZ	A099836.00	√	589	A48P8NR2	24	115/230	Auto.	3.0	1.15	10.81	S, MX, 19, 34, 50
1/2	825	56HZ	111919.00	√	768	A6P8NR2	43	115/230	Auto.	3.2	1.0	13.60	S, US, 17, 34, 50
3/4	1625	56HZ	111324.00	√	722	A6P17NR4	37	115/230	Auto.	3.5	1.0	13.10	S, US, 17
3/4	1625	56H	111266.00	√	722	A6P17NR1	39	115/230	Auto.	3.5	1.0	12.31	S, US
3/4	1075	56HZ	111322.00	√	776	A6P11NR2	47	115/230	Auto.	4.0	1.0	14.10	S, US, 17, 50
1	1625	56HZ	111267.00	√	807	A6P17NR2	39	115/230	Auto.	4.4	1.0	12.81	S, US

♥ Note listing on inside back flap
Specifications are subject to change without notice

Single Phase - TEAO - Rigid Base - PSC Type

HP	SYN RPM 60 Hz	NEMA Frame	Catalog Number	Stock	List Price	Model Number	App. Wgt. (lbs)	Voltage	Over-load Prot.	F. L. Amps @ 230V	Service Factor	"C" Dim. (Inches)	♥Notes
1/4	1750	48Y	101252.00	√	420	A4P17NB27	19	115/208-230	Auto.	1.5	1.0	10.40	S, MX, 50
1/4	1625	48Y	100699.00	√	420	A4P17NB7	19	115/230	Auto.	1.4	1.0	10.65	S, MX
1/4	1075	48Y	M099260.00	√	438	A4P11NB23	21	115/230	Auto.	1.2	1.0	11.55	S, CN
1/4	1075	48Y	A099260.00	√	438	A4P11NB52	21	115/230	Auto.	1.5	1.0	10.65	S, MX
1/3	1750	48Y	101253.00	√	477	A4P17NB28	22	115/208-230	Auto.	1.9	1.0	10.65	S, MX, 50
1/3	1625	48Y	100700.00	√	477	A4P17NB8	22	115/230	Auto.	1.6	1.0	10.65	S, MX
1/3	1625	56Y	111202.00	√	550	A6P17NZ1	24	115/230	Auto.	1.7	1.0	12.05	S, US, 58
1/3	1140	S56Y	100604.00	√	517	A4P11NH1	23	115/208-230	Auto.	1.8	1.0	11.40	S, MX
1/3	1075	48Y	M099261.00	√	517	A4P11NB24	21	115/230	Auto.	1.5	1.0	12.55	S, CN
1/3	1075	48Y	A099261.00	√	556	A4P11NB53	21	115/230	Auto.	1.8	1.0	10.90	S, MX
1/2	1750	S56Y	101176.00	√	524	A4K17NH2	26	115/230	Auto.	3.5	1.0	10.40	S, MX, 50, 54
1/2	1750	48Y	100701.00	√	511	A4P17NB9	29	115/230	Auto.	2.5	1.0	12.15	S, MX
1/2	1075	48Y	A099946.00	√	536	A4P11NB54	26	115/230	Auto.	2.5	1.0	11.90	S, MX
3/4	1075	56HZ	A099847.00	√	765	A6P11NB5	35	115/230	Auto.	3.7	1.0	12.19	S, MX

♥ Note listing on inside back flap
Specifications are subject to change without notice



Agricultural Duty Motors

Lincoln Motors™ Agricultural Fan Motors

Typically used in poultry houses or barn exhaust fans

Features:

- TEAO designs - continuous duty
- Extended thru-bolts
- 1/2" dia. x 2 1/2" long shaft with flats, 90° apart
- Fully gasketed
- Automatic overload protected
- Must be mounted in airstream for proper cooling



Single Phase - PSC - TEAO - Resilient Base

HP	SYN RPM 60 Hz	NEMA Frame	Catalog Number	Stock	List Price	Model Number	App. Wgt. (lbs)	Voltage	Over-load Prot.	F. L. Amps @ 230V	Service Factor	"C" Dim. (Inches)	♥Notes
1/4	1625	48Z	LM24445	√	767	SPA4S0.25TZRY1A6027AP11-1	20	115/230	Auto.	1.4	1.0	11.06	S, MX
1/4	1625	48Z	LM24447	C/A	546	SPA4S0.25TZRY1A6027AP10-1	17	115/230	Auto.	1.5	1.0	10.04	S, MX
1/3	1625	48Z	LM24450	√	842	SPA4S0.33TZRY1A6027AP11-1	23	115/230	Auto.	1.8	1.0	11.81	S, MX
1/3	1625	48Z	LM24448	√	603	SPA4S0.33TZRY1A6027AP10-1	17	115/230	Auto.	2.2	1.0	10.04	S, MX
1/3	1075	48Z	LM24443	√	813	SPA6S0.33TZRY1A6027AP10-1	22	115/230	Auto.	2.1	1.0	10.84	S, MX
1/2	1625	48Z	LM24446	√	860	SPA4S0.5TZRY1A6027AP11-1	23	115/230	Auto.	2.7	1.0	11.81	S, MX
1/2	1625	48Z	LM24449	√	722	SPA4S0.5TZRY1A6027AP10-1	21	115/230	Auto.	3.0	1.0	10.84	S, MX
1/2	1075	48Z	LM24444	√	860	SPA6S0.5TZRY1A6027AP10-1	20	115/230	Auto.	3.2	1.0	10.84	S, MX

C/A - Check Availability

♥ Note listing on inside back flap
Specifications are subject to change without notice

Aeration Fan Motors

Features:

- Belt driven fans or fan on shaft applications
- Capacitor start designs
- Must be mounted in airstream for proper cooling
- Epoxy paint to resist corrosion
- Single-phase models have built-in terminal boards



Single Phase - Capacitor Start - TEAO - Rigid Base

HP	SYN RPM 60 Hz	NEMA Frame	Catalog Number	Stock	List Price	Model Number	App. Wgt. (lbs)	Voltage	F. L. Amps @ 230V	Service Factor	"C" Dim. (Inches)	♥Notes
3/4	3450	56Z	111332.00	√	548	C6C34NB15	30	115/230	5.0	1.0	10.90	S, US, 22
1	3450	56Z	111333.00	√	650	C6C34NB16	32	115/230	6.0	1.0	10.90	S, US, 22
1 1/2	3450	56Z	111949.00	√	840	C6C34NB19	35	115/230	8.5	1.0	11.40	S, US, 22
1 1/2	3450	143TZ	120374.00	√	904	C143C34NB1	34	115/230	8.5	1.0	11.84	S, US, 22
2	3450	145TZ	120375.00	√	1,100	C145C34NB1	44	230	10.0	1.0	12.84	S, US, 23
3	3450	145T	120376.00	√	1,159	C145K34NB1	48	230	12.8	1.0	13.84	S, US, 53

♥ Note listing on inside back flap
Specifications are subject to change without notice



Pump Motors
Washguard Motors
Agricultural Duty Motors
HVAC / Fan Motors
Special Voltage Motors
Definite Purpose Motors
Brake Motors
IEC Motors
DC Motors

Agricultural Duty Motors

Aeration Fan Motors

Features:

- Belt driven fans or fan on shaft applications
- Must be mounted in airstream for proper cooling
- Epoxy paint to resist corrosion



Three Phase - TEAO - Rigid Base

HP	SYN RPM 60 Hz	NEMA Frame	Catalog Number	Stock	List Price	Model Number	App. Wgt. (lbs)	Voltage	F. L. Amps @ 230V	Service Factor	"C" Dim. (Inches)	♥Notes
3/4	3450	56Z	111334.00	√	611	C6T34NB18	24	208-230/460	2.4	1.0	9.90	S, US, 22
1	3450	56Z	111335.00	√	609	C6T34NB19	25	208-230/460	3.2	1.0	9.90	S, US, 22
1 1/2	3450	143TZ	120377.00	√	699	C143T34NB2	34	208-230/460	4.2	1.0	11.34	S, US, 22
2	3450	145TZ	120378.00	√	828	C145T34NB1	35	208-230/460	5.6	1.0	11.84	S, US, 22
3	3450	145T	120379.00	√	929	C145T34NB2	41	230/460	7.6	1.0	12.34	S, US, 23

♥ Note listing on inside back flap
Specifications are subject to change without notice

Grain Dryer / Centrifugal Fan Motor

Features:

- 268% starting torque
- Oversized sealed bearings
- Rodent screen protection
- Rolled steel frame with cast iron endbells
- Epoxy painted
- 91.2% efficient



Single Phase - ODP - 230 Volt - Rigid Base

HP	SYN RPM 60 Hz	NEMA Frame	Catalog Number	Stock	List Price	Model Number	App. Wgt. (lbs)	Voltage	F. L. Amps @ 230V	Service Factor	"C" Dim. (Inches)	♥Notes
16	1800	256TZ	851034.00	√	4,441	C254K17DB1	308	208-230	61.0	1.15	25.52	S, MX

♥ Note listing on inside back flap
Specifications are subject to change without notice

Vane Axial Fan

Features:

- Epoxy paint for corrosion resistants
- Non-NEMA shaft extension
- Class "F" Insulation System

NEW!

Single Phase - Rigid Base - TEAO

HP	SYN RPM 60 Hz	NEMA Frame	Catalog Number	Stock	List Price	Model Number	App. Wgt. (lbs)	Voltage	F. L. Amps @ 230V	Service Factor	"C" Dim. (Inches)	♥Notes
1	3600	56Z	1110003.00	√	706	C6C34NB38	32	110/220	T-Stat 5.9*	1.25	11.06	S, US, 23
3-4 1/2	3600	145TZ	122411.00	√	1,467	C145K34NB7	50	230	T-Stat 11.8	1.0	14.46	S, US, 23

* F. L. amps at 220 V

♥ Note listing on inside back flap
Specifications are subject to change without notice



Agricultural Duty Motors

Crop Dryer Motors

Used on crop dryers with air over/fan on shaft designs

Features:

- Class "F" insulation system
- Overload protected
- Keyed shaft with 1/4-20 UNC tapped hole on end
- 34" long leads
- Capacitors shipped loose on 1-phase 215 TZ designs
- Motor venting protected against insects and rodents
- Double sealed ball bearings



Single Phase - Drip-Proof Air Over - Rigid Base

HP	SYN RPM 60 Hz	NEMA Frame	Catalog Number	Stock	List Price	Model Number	App. Wgt. (lbs)	Voltage	Over-load Prot.	F. L. Amps @ 230V	Service Factor	"C" Dim. (Inches)	♥Notes
3-4 1/2	3600	145TZ	LM24778	√	1,467	SSD2S3-4.5TZ1B66QS10-1	46	230	Auto	12.5-19.1	1.50	13.74	S, MX
5 - 7	3600	182TZ	131847.00	√	1,723	C182C34DB2	94	230	T-Stat	26.8-35.3	1.00	16.44	S, MX
7 1/2-10	3600	182TZ	131848.00	√	1,915	C182K34DB4	98	230	T-Stat	31-42	1.00	16.44	S, MX
7 - 10	3600	184TZ	LM24780	√	2,399	SSD2S7-10TZ1C66QS11-1	102	230	T-Stat	31-47	1.40	15.94	S, MX
7-9	3600	184TZ	LM24781	C/A	1,943	SSD2S7-9TZ1C66QSS11-1	180	230	T-Stat	36-45	1.30	15.50	S, MX
10 - 15	3600	215TZ	140640.00	√	2,943	C215K34DB2	162	230	T-Stat	39.5-61.5	1.00	20.42	S, MX
10 - 15	3600	215TZ	LM24782	√	3,047	SS215D2S10-15TZ1C66QS11-1	184	230	T-Stat	46-71	1.50	18.16	S, MX
10 - 15	3600	215TZ	141084.00	√	2,943	C215K34DB3	159	230	T-Stat	40-59	1.00	20.08	S, MX, 52

Note 52 - Extra High Starting Torque
C/A - Check Availability

♥ Note listing on inside back flap
Specifications are subject to change without notice

Grain Dryer / Centrifugal Fan Motor

Features:

- 335% starting torque & 89% efficient
- Oversized sealed bearings
- Epoxy paint
- Rolled steel with cast iron endbells
- Colored leads



Single Phase - TEFC - 230 Volt - Rigid Base

HP	SYN RPM 60 Hz	NEMA Frame	Catalog Number	Stock	List Price	Model Number	App. Wgt. (lbs)	Voltage	Over-load Prot.	F. L. Amps @ 230V	Service Factor	"C" Dim. (Inches)	♥Notes
15	1800	256TZ	851150.00	√	3,610	C256K17FB1	309	208-230		58	1.0	28.65	S, MX

♥ Note listing on inside back flap
Specifications are subject to change without notice

Three Phase - Drip-Proof Air Over - Rigid Base

HP	SYN RPM 60 Hz	NEMA Frame	Catalog Number	Stock	List Price	Model Number	App. Wgt. (lbs)	Voltage	Over-load Prot.	F. L. Amps @ 230V	Service Factor	"C" Dim. (Inches)	♥Notes
5-7 1/2	3600	184TZ	131849.00	√	1,395	C184T34DB8	73	208-230/460	T-Stat	12.5-19.0	1.00	13.94	S, MX
7 1/2-10	3600	184TZ	131850.00	√	1,629	C184T34DB9	88	208-230/460	T-Stat	17.5-23.4	1.00	15.44	S, MX
10 - 15	3600	215TZ	140641.00	√	1,963	C215T34DB3	114	208-220/440	T-Stat	26-40	1.50	17.41	S, MX

♥ Note listing on inside back flap
Specifications are subject to change without notice



Pump Motors
Washguard Motors
Agricultural Duty Motors
HVAC / Fan Motors
Special Voltage Motors
Definite Purpose Motors
Brake Motors
IEC Motors
DC Motors

Agricultural Duty Motors

Crop Dryer / Centrifugal Motors



Centrifugal Fan

Features:

- Epoxy paint for corrosion resistant
- TZ Shafts are 1" longer than NEMA
- Class "F" Insulation System

NEW!

Single Phase - Rigid Base - TEFC

HP	SYN RPM 60 Hz	NEMA Frame	Catalog Number	Stock	List Price	Model Number	App. Wgt. (lbs)	Voltage	F. L. Amps @ 230V	Service Factor	"C" Dim. (Inches)	♥Notes
3	3600	182T	132640.00	√	1,738	C182K34FB4	81	115/208-230	13.4	1.15	14.96	S, MX
5	1800	184TZ	132639.00	√	1,759	C184K34FB12	104	230	23.0	1.00	18.46	S, MX
7 1/2	1800	215TZ	141392.00	√	2,403	C215K17FB74	159	230	30.0	1.15	22.97	S, MX
10	3600	215T	141394.00	√	2,742	C215K34FB2	142	208-230	41.5	1.00	19.84	S, MX
10	1800	215T	141393.00	√	2,815	C215K17FB75	156	230	40.0	1.00	22.97	S, MX

♥ Note listing on inside back flap
Specifications are subject to change without notice

Centrifugal Fan - In Line

Features:

- 1" longer shaft than NEMA standard
- 1/4-20 tapped and keyed shaft
- Epoxy paint for corrosion resistant
- Normally closed thermostats

NEW!

Single Phase - Rigid Base - TEFC

HP	SYN RPM 60 Hz	NEMA Frame	Catalog Number	Stock	List Price	Model Number	App. Wgt. (lbs)	Voltage	Over-load Prot.	F. L. Amps @ 230V	Service Factor	"C" Dim. (Inches)	♥Notes
1 1/2	3600	145TZ	122412.00	√	828	C145C34NB2	44	230	T-Stat	8.4	1.0	12.46	S, US

♥ Note listing on inside back flap
Specifications are subject to change without notice

Crop Dryer

Features:

- 3/4" longer shaft than NEMA standard
- 1/4-20 tapped and keyed shaft
- Normally closed thermostats
- Epoxy paint for corrosion resistant

NEW!

Single Phase - PSC (Switchless) - Open Air Over - Rigid Base

HP	SYN RPM 60 Hz	NEMA Frame	Catalog Number	Stock	List Price	Model Number	App. Wgt. (lbs)	Voltage	Over-load Prot.	F. L. Amps @ 230V	Service Factor	"C" Dim. (Inches)	♥Notes
5-7	3600	184TZ	132636.00	√	1,723	C184P34DB1	94	230	T-Stat	21.3-29	1.0	16.82	S, MX
7 1/2	3600	184TZ	132637.00	√	1,915	C184P34DB2	98	230	T-Stat	31-40	1.0	16.82	S, MX
10-15	3600	215Z	141385.00	√	2,943	C215P34DB1	162	230	T-Stat	40.4-57.5	1.5	20.82	S, MX

* F. L. amps at 220 V

♥ Note listing on inside back flap
Specifications are subject to change without notice



Agricultural Duty Motors

Grain Dryer / Centrifugal Fan Motor



Single Phase - TEFC - Rigid Base

HP	SYN RPM 60 Hz	NEMA Frame	Catalog Number	Stock	List Price	Model Number	App. Wgt. (lbs)	Voltage	Over-load Prot.	F. L. Amps @ 230V	Service Factor	"C" Dim. (Inches)	♥Notes
7 1/2	1800	215TZ	141348.00	√	2,823	C215K17FB74	157	230	Man.	30.0	1.15	20.21	S, MX
7 1/2	1800	215TZ	141437.00	√	2,823	C215K17FZ15	157	230	Man.	30.5	1.15	22.47	S, MX
10	1800	215T	141311.00	√	3,071	C215K17FB73	163	230	Man.	40.0	1.15	21.72	S, MX

Specially designed for crop dryer applications that have a vibration dampening centrifugal switch

Note: Built with specially designed, vibration dampening centrifugal switches for crop dryer applications

♥ Note listing on inside back flap
Specifications are subject to change without notice



Three Phase - TEAO - Rigid Base

NEW!

HP	SYN RPM 60 Hz	NEMA Frame	Catalog Number	Stock	List Price	Model Number	App. Wgt. (lbs)	Voltage	Over-load Prot.	F. L. Amps @ 230V	Service Factor	"C" Dim. (Inches)	♥Notes
5 - 7	3600	184TZ	132393.00	√	1,451	C184T34NB3	100	208-230/460	T-Stat	16.5	1.00	15.38	S, MX
7 1/2 - 10	3600	184TZ	132394.00	√	1,618	C184T34NB4	107	208-230/460	T-Stat	24.8	1.00	17.38	S, MX

♥ Note listing on inside back flap
Specifications are subject to change without notice



Single Phase - 230 Volt - TEAO - Rigid Base

NEW!

HP	SYN RPM 60 Hz	NEMA Frame	Catalog Number	Stock	List Price	Model Number	App. Wgt. (lbs)	Voltage	Over-load Prot.	F. L. Amps @ 230V	Service Factor	"C" Dim. (Inches)	♥Notes
3-4 1/2	3600	145TZ	122122.00	√	1,214	C145K34NB6	50	230	T-Stat	11.8-18.3	1.00	14.46	S, US, 53
5-7	3600	182TZ	132391.00	√	1,533	C182K34NB106	102	230	T-Stat	20.8-28.6	1.00	17.44	S, MX, 53
7 1/2-10	3600	182TZ	132392.00	√	1,782	C182K34NB107	108	230	T-Stat	30-38	1.00	17.44	S, MX, 53
10-15	3600	215TZ	141220.00	√	2,234	C215K34NB73	158	230	T-Stat	45.8-68.5	1.50	18.17	S, MX, 53

♣ amp listing is at higher HP

♥ Note listing on inside back flap
Specifications are subject to change without notice



Pump Motors

Washguard Motors

Agricultural Duty Motors

HVAC / Fan Motors

Special Voltage Motors

Definite Purpose Motors

Brake Motors

IEC Motors

DC Motors

Agricultural Duty Motors

Grain Dryer / Centrifugal Fan Motors

Used in ag fan and blower applications
Screens used to protect against entry of pests and and silage

Features:

- NEMA® Premium and EAct efficiency
- Rodent screens
- Re-greasable bearings
- Cast Iron construction
- 1" longer shaft than NEMA standard
- Inverter duty insulation system
- UL Recognized and CSA certified



Three Phase - Open Drip-Proof (ODP) - Rigid Base

HP	SYN RPM 60 Hz	NEMA Frame	Catalog Number	Stock	List Price	Model Number	App. Wgt. (lbs)	Voltage	F. L. Amps @ 230V	F.L. EFF.	"C" Dim. (Inches)	♥Notes
10	1800	215TZ	171861.60	√	1,942	C215T17DB69	220	230/460	25.6	91.7	17.90	C, CN
15	1800	254T	170540.60	D	2,614	C254T17DB45	279	230/460	37.0	93.0	20.94	C, CN
15	1800	254TZ	171862.60	√	2,614	C254T17DB48	279	230/460	37.0	93.0	21.88	C, CN
20	1800	256T	170541.60	D	3,187	C256T17DB10	324	230/460	51.0	93.0	22.60	C, CN
20	1800	256TZ	171863.60	√	3,187	C256T17DB15	324	230/460	51.0	93.0	23.62	C, CN
25	1800	284TZ	171864.60	√	4,199	C284T17DB15	404	230/460	59.5	93.6	24.92	C, CN
30	1800	286T	170542.60	D	4,291	C286T17DB13	471	230/460	71.0	94.1	25.00	C, CN
30	1800	286TZ	171865.60	√	4,291	C286T17DB16	471	230/460	71.0	94.1	26.57	C, CN

Shaded model numbers are cast iron frame

♥ Note listing on inside back flap
Specifications are subject to change without notice

Green items are Premium Efficient

D - Item to be discontinued once inventory is depleted

Grain Dryer / Centrifugal Fan Motors

Features:

- 1" longer shaft than NEMA standard
- Shaft seals both ends
- Epoxy painted
- Premium efficient
- N/C T-stats



NEW!

Three Phase - TEFC - Rigid Base

HP	SYN RPM 60 Hz	NEMA Frame	Catalog Number	Stock	List Price	Model Number	App. Wgt. (lbs)	Voltage	F. L. Amps @ 230V	F.L. EFF.	"C" Dim. (Inches)	♥Notes
3	1800	182TZ	171845.60	√	1,462	C182T17FK49	113	230/460	7.8	90.2	17.60	C, CN
5	1800	184TZ	171846.60	√	1,512	C184T17FK50	121	230/460	12.8	89.5	18.30	C, CN
7 1/2	1800	213TZ	171847.60	√	1,867	C213T17FK48	156	230/460	18.6	91.7	19.70	C, CN
10	1800	215TZ	171848.60	√	2,233	C215T17FK48	188	230/460	25.0	91.7	21.10	C, CN
15	1800	254TZ	171841.60	√	3,057	C254T17FK18	295	230/460	36.0	92.4	24.70	C, CN
20	1800	256TZ	171842.60	√	3,901	C256T17FK18	336	230/460	49.0	93.0	26.40	C, CN
25	1800	284TZ	171843.60	√	4,541	C284T17FK15	406	230/460	59.0	93.6	27.26	C, CN
30	1800	286TZ	171844.60	√	5,415	C286T17FK17	456	230/460	70.0	94.1	28.83	C, CN

Shaded model numbers are cast iron frame

♥ Note listing on inside back flap
Specifications are subject to change without notice

Green items are Premium Efficient



Agricultural Duty Motors

Tobacco Barn Motors

Pump Motors

Washguard Motors

Agricultural Duty Motors

HVAC / Fan Motors

Special Voltage Motors

Definite Purpose Motors

Brake Motors

IEC Motors

DC Motors

Used in tobacco barns and other applications that require a fan motor in a high ambient condition

Features:

- Drip-proof airover designs
- Class H insulation for high ambient conditions
- 80° C ambient rated
- 120 inch leads
- Oversized double sealed bearings
- 1/4-20 tapped hole at end of shaft



Single Phase - DPAO - Rigid Base

HP	SYN RPM 60 Hz	Frame	Catalog Number	Stock	List Price	Model Number	App. Wgt. (lbs)	Voltage	F. L. Amps @ 230V	Service Factor	"C" Dim. (Inches)	♥Notes
7 1/2	1800	215TVZ	140830.00	√	2,154	215TBDW17041	125	230	34.5	1.15	18.04	S, MX
10	1800	215TVZ	140816.00	√	3,210	C215K17DB13	150	230	44.0	1.15	20.65	S, MX

♥ Note listing on inside back flap
Specifications are subject to change without notice

Grain Stirring Motors

Used in grain stirring systems inside grain bins

Features:

- TEFC designs - continuous duty
- High torque designs
- Rugged 205 bearing, shaft end
- Vertical shaft up design with drain hole
- 7/8" Dia. shaft



Single Phase - Rigid Base - TEFC

HP	SYN RPM 60 Hz	Frame	▼Catalog Number	Stock	List Price	Model Number	App. Wgt. (lbs)	Voltage	Over-load Prot.	F. L. Amps @ 230V	Service Factor	"C" Dim. (Inches)	♥Notes
1 1/2	1800	56HZ	111330.00	√	1,070	P6K17FB18	45	115/208-230	Man.	8.6	1.00	12.39	S, US, 53
1 1/2	1800	56HZ	LM24521	C/A	1,164	SRF4S1.5TZ1B6028AP9-2	47	115/208-230	Man.	7.6	1.15	13.21	S, US, 53
2	1800	56HZ	1110012.00	√	1,562	P6K17FB67	48	115/208-230	Man.	9.2	1.00	13.39	S, US, 53

▼LM Numbers are Lincoln Models
C/A - Check Availability

♥ Note listing on inside back flap
Specifications are subject to change without notice

Three Phase - Rigid Base - TEFC

HP	SYN RPM 60 Hz	Frame	Catalog Number	Stock	List Price	Model Number	App. Wgt. (lbs)	Voltage	F. L. Amps @ 230V	% FL. EFF.	Service Factor	"C" Dim. (Inches)	♥Notes
1 1/2	1800	56HZ	119533.00	√	1,218	M6T17FB197	45	230/460	4.8	86.5	1.00	12.31	S, US, 53

Green items are Premium Efficient

♥ Note listing on inside back flap
Specifications are subject to change without notice



Agricultural Duty Motors

Catfish Pond Motors

Designed for outdoor pond aeration applications

Features:

- High torque designs
- Epoxy painted for corrosion protection - stainless steel fan guards
- Double sealed ball bearings
- Drain holes provided to purge condensation



Single Phase and Three Phase - C Face With Base - TEFC

HP	SYN RPM 60 Hz	Frame	Catalog Number	Stock	List Price	Model Number	App. Wgt. (lbs)	Voltage	Over-load Prot.	Phase	F. L. Amps @ 230V	Service Factor	"C" Dim. (Inches)	♥Notes
10	1800	215TC	140705.00	√	3,250	P215K17FK5	155	230	Man.	1	40.0	1.15	20.71	S, MX
10	1800	215TC	140833.00	C/A	1,956	C215T17FK19	182	230/460	None	3	26.8	1.15	19.71	S, MX

Green items are Premium Efficient

♥ Note listing on inside back flap
Specifications are subject to change without notice

Irrigation Booster Pump Motors

Used in agricultural duty irrigation systems

Features:

- Threaded jet pump motor shaft with 7/16-20 R.H. tapped hole
- Vertical Shaft down design
- Rain canopy provided
- Epoxy painted for corrosion protection
- Neoprene shaft flinger
- Shaft has a 7/16-20 R.H. tapped hole



Three Phase - Irrigation Booster - TEFC

HP	SYN RPM 60 Hz	NEMA Frame	Catalog Number	Stock	List Price	Model Number	App. Wgt. (lbs)	Voltage	F. L. Amps @ 460V	Service Factor	"C" Dim. (Inches)	♥Notes
2	3600	56J	119534.00	√	1,167	A6T34FC34	47	460	2.9	1.5	14.34	S, US

Green items are Premium Efficient

♥ Note listing on inside back flap
Specifications are subject to change without notice

Irrigation Booster Pump Motors

Features:

- Double-sealed ball bearings
- Designed for vertical shaft down applications
- Rain canopy protects against water contamination



Three Phase - C Face Less Base - TEFC

HP	SYN RPM 60 Hz	NEMA Frame	Catalog Number	Stock	List Price	Model Number	App. Wgt. (lbs)	Voltage	F. L. Amps @ 460V	Service Factor	"C" Dim. (Inches)	♥Notes
1	1800	56C	119535.00	√	1,127	A6T17FC35	42	460	1.6	1.25	12.34	S, US

♥ Note listing on inside back flap
Specifications are subject to change without notice

Agricultural Duty Motors

Milk Transfer Pump Motor

Pump Motors

Washguard Motors

Agricultural Duty Motors

HVAC / Fan Motors

Special Voltage Motors

Definite Purpose Motors

Brake Motors

IEC Motors

DC Motors

Features:

- Replacements for SURGE™ milk pumps
- Washguard® motor features for high pressure washdown applications
- Epoxy painted and stainless ratings available for corrosion protection
- Capacitor supplied loose with motor 113939.00
- Motors 119227.00 & 119231.00 are capacitor start -induction run motors
- Solid state encapsulated starting switch on capacitor start motors
- Three phase motor is inverter rated



Single Phase - Rigid Base - Totally Enclosed

HP	SYN RPM 60 Hz	NEMA Frame	Catalog Number	Stock	List Price	Model Number	App. Wgt. (lbs)	Voltage	F. L. Amps @ 230V	Service Factor	"C" Dim. (Inches)	♥Notes
1/2	3600	56CZ	113939.00	√	699	C6P34NK5	42	230	4.5	1.00	13.48	S, US, 12
1	3600	56CZ	119227.00	√	939	C6C34WK24	33	115/230	6.0	1.15	14.48	S, US, 12
1	3600	56CZ	119448.00	√	939	C6C34WK29	33	115/230	6.0	1.15	13.04	S, US, 13

Note 12 - TENV
Note 13 - TEFC

♥ Note listing on inside back flap
Specifications are subject to change without notice

Stainless - Milk Transfer Pump Motor

Single Phase - TENV - 230 Volt - C Face With Base

HP	SYN RPM 60 Hz	NEMA Frame	Catalog Number	Stock	List Price	Model Number	App. Wgt. (lbs)	Voltage	F. L. Amps @ 230V	Service Factor	"C" Dim. (Inches)	♥Notes
1	3600	56HCZ	119231.00	√	1,991	CZ6C34VK4	49	230	6.0	1.15	14.86	S, US

♥ Note listing on inside back flap
Specifications are subject to change without notice

Three Phase Milk Transfer Pump Motor

Three Phase - TENV - C Face With Base

HP	SYN RPM 60 Hz	NEMA Frame	Catalog Number	Stock	List Price	Model Number	App. Wgt. (lbs)	Voltage	F. L. Amps @ 230V	Service Factor	"C" Dim. (Inches)	♥Notes
1	3600	56CZ	119232.00	√	902	C6T34VK23	33	208-230/460	2.6	1.15	12.73	S, US

Green items are Premium Efficient

♥ Note listing on inside back flap
Specifications are subject to change without notice



Agricultural Duty Motors

Threaded Shaft Milk Pump Motor

Features:

- Replacement motors for BouMatic® milk pumps
- Washguard® motor features for high pressure washdown applications
- Epoxy painted and stainless ratings available for corrosion protection
- Single phase motors are capacitor start - induction run designs
- Solid state encapsulated starting switch on single phase motors
- Three phase motors are inverter rated



Single Phase - TEFC - 115/230 Volt - C Face With Base

HP	SYN RPM 60 Hz	NEMA Frame	Catalog Number	Stock	List Price	Model Number	App. Wgt. (lbs)	Voltage	F. L. Amps @ 230V	Service Factor	"C" Dim. (Inches)	♥Notes
1/2	3600	56CZ	119233.00	√	699	C6C34WK27	30	115/230	3.8	1.15	12.62	S, US
1	3600	56CZ	119228.00	√	939	C6C34WK25	33	115/230	6.0	1.15	12.41	S, US

♥ Note listing on inside back flap
Specifications are subject to change without notice

Stainless - Threaded Shaft Milk Pump Motor

Single Phase - TENV - 115/230 Volt - C Face With Base

HP	SYN RPM 60 Hz	NEMA Frame	Catalog Number	Stock	List Price	Model Number	App. Wgt. (lbs)	Voltage	F. L. Amps @ 230V	Service Factor	"C" Dim. (Inches)	♥Notes
1	3600	56CZ	119229.00	√	2,046	C6C34WK5	49	115/230	6.0	1.15	14.32	S, US

♥ Note listing on inside back flap
Specifications are subject to change without notice

Threaded Shaft Milk Transfer Pump Motor

Three Phase - TEFC - C Face With Base

HP	SYN RPM 60 Hz	NEMA Frame	Catalog Number	Stock	List Price	Model Number	App. Wgt. (lbs)	Voltage	F. L. Amps @ 230V	Service Factor	"C" Dim. (Inches)	♥Notes
1	3600	56CZ	119230.00	√	902	C6T34WK29	28	208-230/460	3.2	1.15	12.41	S, US

230/460 volt motors are suitable for use at 208 volts

Green items are Premium Efficient

♥ Note listing on inside back flap
Specifications are subject to change without notice

Washdown Duty - Jet Pump - Tank Washer Motor

Features:

- 56J Jet pump motor
- White epoxy painted
- 303 grade stainless steel shaft
- CCW rotation facing lead end



Single Phase - TEFC - C Face With Base - Threaded Shaft

HP	SYN RPM 60 Hz	NEMA Frame	Catalog Number	Stock	List Price	Model Number	App. Wgt. (lbs)	Voltage	F. L. Amps @ 230V	Service Factor	"C" Dim. (Inches)	♥Notes
1	3600	56J	119234.00	√	1,013	C6C34WK28	30	115/230	6.0	1.15	12.37	S, US

♥ Note listing on inside back flap
Specifications are subject to change without notice



Agricultural Duty Motors

Feed-Auger Drive Motors - Dust Tight

Replacement motors for poultry feed auger drive systems

Features:

- Choice of mechanical or solid state starting switch
- Mechanical switch has over-speed protection - Note 51
- Manual overload protected



Single Phase - TEFC - 60 Hertz

HP	SYN RPM 60 Hz	Frame	Catalog Number	Stock	List Price	Model Number	App. Wgt. (lbs)	Voltage	Over-load Prot.	F. L. Amps @ 230V	Service Factor	"C" Dim. (Inches)	♥Notes
1/3	1800	48YZ	101159.00	√	715	P4C17FZ11	24	115/230	Man.	3.1	1.00	10.47	S, MX, 26
1/3	1800	56YZ	117887.00	√	686	117887,00	24	115/208-230	Man.	2.9	1.00	12.00	S, MX, 26, 51, 64
1/3	1800	48N	LM24462	D	689	SPA4S0.33TADN1C6027TP1	23	115/230	Man.	2.5	1.50	11.31	S, MX, 26, 51
1/2	1800	48YZ	101120.00	√	804	P4C17FZ7	25	115/208-230	Man.	4.0	1.15	10.72	S, MX, 26
1/2	1800	56YZ	117888.00	√	786	117888,00	22	115/208-230	Man.	4.2	1.25	12.00	S, MX, 26, 51, 64
1/2	1800	48N	LM24463	D	786	SPA4S0.5TADN1C6027TP1	23	115/230	Man.	3.4	1.00	11.81	S, MX, 26, 51
3/4	1800	48YZ	101119.00	√	939	P4C17FZ6	27	115/208-230	Man.	5.4	1.00	11.47	S, MX, 26
3/4	1800	56YZ	117889.00	√	809	117889,00	28	115/208-230	Man.	4.2	1.25	12.00	S, MX, 26, 51, 64
1	1800	56YZ	112615.00	√	1,040	P6C17FZ27	38	115/230	Man.	7.0	1.00	11.27	S, MX, 27
1	1800	56YZ	117883.00	√	1,013	117883,00	35	115/208-230	Man.	5.4	1.25	12.00	S, MX, 27, 51, 64
1 1/2	1800	56YZ	113280.00	√	1,727	P6K17FZ6	50	115/208-230	Man.	6.5	1.00	12.77	S, US, 27, 53
1 1/2	1800	56YZ	117884.00	√	1,704	117884,00	44	115/208-230	Man.	6.5	1.15	14.51	S, MX, 27, 51, 53, 64
1 1/2	1800	56HZ	111330.00	√	1,070	P6K17FB18	45	115/208/230	Man.	8.6	1.00	12.39	S, US, 53
1 1/2	1800	56NZ	LM24814	D	1,474	SRF4S1.5TZADN1C6028TP1-1	41	115/208/230	Man.	7.6	1.00	14.38	S, MX, 27, 51, 53
1 1/2	1800	56HZ	LM24521	C/A	926	SRF4S1.5TZ1B6028AP9-2	47	115/208-230	Man.	7.6	1.15	13.21	S, US, 53

Note 64 - Stub shaft on ODE for manual jogging
 D - Item to be discontinued once inventory is depleted
 C/A - Check Availability

♥ Note listing on inside back flap
 Specifications are subject to change without notice

Single Phase - TEFC - 50 Hertz

HP	SYN RPM 60 Hz	Frame	Catalog Number	Stock	List Price	Model Number	App. Wgt. (lbs)	Voltage	Over-load Prot.	F. L. Amps @ 230V	Service Factor	"C" Dim. (Inches)	♥Notes
1/2	1800	48YZ	101643.00	√	869	M4C14FZ5	29	110/220	Man.	4.0	1.00	11.47	S, MX, 26, 51
3/4	1800	48YZ	101644.00	√	935	M4C14FZ6	33	110/220	Man.	5.8	1.00	12.22	S, MX, 26, 51
1	1800	56YZ	113906.00	√	1,135	M6C14FZ8	42	110/220	Man.	6.4	1.00	12.27	S, MX, 27, 51
1 1/2	1800	56YZ	113907.00	C/A	1,897	P6K14FZ2	51	110/220	Man.	8.6	1.00	13.27	S, MX, 27, 51

C/A - Check Availability

♥ Note listing on inside back flap
 Specifications are subject to change without notice



Pump Motors

Washguard Motors

Agricultural Duty Motors

HVAC / Fan Motors

Special Voltage Motors

Definite Purpose Motors

Brake Motors

IEC Motors

DC Motors

Agricultural Duty Motors

Hatchery and Incubator Fan Motors

Replacement motors for hatchery and incubator fans

Features:

- Automatic overload protected
- 15MFD, 370V. capacitor shipped loose with motor 101341.00
- Motor 114102.00 is a split phase two-speed motor
- Double shielded ball bearings



Single Phase - TEAO

HP	SYN RPM 60 Hz	NEMA Frame	Catalog Number	Stock	List Price	Model Number	App. Wgt. (lbs)	Voltage	Over- load Prot.	F. L. Amps @ 230V	Service Factor	"C" Dim. (Inches)	♥Notes
1/4	1800	48Y	101341.00	√	540	A4P17NZ24	17	115/230	Auto.	1.40	1.00	8.93	S, MX, 16, 34
1/3	1800	48Z	103878.00	√	584	L4P17NZ149	20	115/230	Auto.	1.65	1.00	9.93	S, MX, 16, 34
1/2-2/9	1800/1200	56H	114102.00	√	704	A6S46NR4	36	115	Auto.	9.3-5.6*	1.25	12.32	S, US

* Full Load amps are at high speed and low speeds, respectively at 115 volts

♥ Note listing on inside back flap
Specifications are subject to change without notice

Feather Picker Motors

Replacement motors used in poultry feather picker machines

Features:

- Stainless steel shaft hardware
- Metric motor has phosphatized shaft drilled and tapped
- Double sealed ball bearing
- Extra high breakdown torques
- Conduit box at 12 o'clock
- IRIS Insulation system for extra protection and long life, especially in inverter-driven applications



Three Phase - TEFC - Rigid Base - EXTREME DUCK ULTRA - IP69 RATED

HP	SYN RPM 60 Hz	NEMA Frame	Catalog Number	Stock	List Price	Model Number	Voltage	F. L. Amps @ 230V	F. L. Eff.	Service Factor	"C" Dim. (Inches)	♥Notes
2	1800	145TC	122308.00	√	2,680	C145T17WK64	230/460	5.8	86.5	1.15	13.25	Encapsulated
3	1800	145T	122472.00	√	2,741	CZ145T17UK3	230/460	8.8	84	1.00	13.25	Encapsulated

Green items are Premium Efficient

♥ Note listing on inside back flap
Specifications are subject to change without notice

Three Phase - TEFC - Rigid Base

HP	SYN RPM 60 Hz	NEMA Frame	Catalog Number	Stock	List Price	Model Number	Voltage	F. L. Amps @ 230V	F. L. Eff.	Service Factor	"C" Dim. (Inches)	♥Notes
2	1800	145T	122009.00	√	2,642	C145T17WK49	230/460	5.8	86.5	1.25	13.25	Stainless Steel
2	1800	145T	121934.00	√	1,118	C145T17FB87	230/460	5.8	86.5	1.25	13.72	White Epoxy
2	1200	184TZ	132246.00	√	1,703	C184T11FB24	230/460	6.4	88.5	1.50	14.96	White Epoxy
3	1800	56HZ	119783.00	√	1,259	C6T17WK48	208-230/460	8.6	82.5	1.00	13.93	White Epoxy
3	1800	145T	121944.00	√	1,259	C145T17FB92	208-230/460	8.6	82.5	1.00	13.72	White Epoxy

Green items are Premium Efficient

♥ Note listing on inside back flap
Specifications are subject to change without notice



Agricultural Duty Motors

Industry-AG - High Torque

General purpose, heavy duty for industrial and agriculture applications

Features:

- Manual overload protected
- Double sealed ball bearings
- Weather resistant reset button protection
- Capacitor start provides high starting torque



Single Phase - Rigid Base - TEFC

HP	SYN RPM 60 Hz	NEMA Frame	Catalog Number	Stock	List Price	Model Number	App. Wgt. (lbs)	Voltage	Over-load Prot.	F. L. Amps @ 230V	Service Factor	"C" Dim. (Inches)	♥Notes
1/3	1800	56	M002256.00	D	550	M6C17FB142	24	115-208/230	Man.	2.9	1.15	11.00	S, CN
1/3	1800	56	117862.00	√	471	C6C17FB164	20	115-208/230	Man.	3.3	1.15	11.82	S, MX
1/2	1800	56	117863.00	√	537	C6C17FB165	26	115-208/230	Man.	4.4	1.15	11.82	S, MX
3/4	1800	56	117864.00	√	635	C6C17FB166	33	115-208/230	Man.	5.5	1.15	12.32	S, MX
1	1800	56	117865.00	√	689	C6C17FB167	33	115-208/230	Man.	6.7	1.15	12.82	S, MX
1 1/2	1800	56H	117866.00	√	829	C6K17FB61	50	115-208/230	Man.	7.6	1.15	13.82	S, MX
2	1800	56HZ	117867.00	√	949	C6K17FB62	50	115/230	Man.	9.4	1.15	14.87	S, MX

"M00" Series motors use C Face Kit M064076.00
 D - Item to be discontinued once inventory is depleted

♥ Note listing on inside back flap
 Specifications are subject to change without notice

Single Phase - C Face Less Base - TEFC

HP	SYN RPM 60 Hz	NEMA Frame	Catalog Number	Stock	List Price	Model Number	App. Wgt. (lbs)	Voltage	Over-load Prot.	F. L. Amps @ 230V	Service Factor	"C" Dim. (Inches)	♥Notes
1/3	1800	56C	117878.00	√	508	C6C17FC178	23	115-208/230	Man.	3.3	1.15	11.82	S, MX
1/2	1800	56C	117879.00	√	573	C6C17FC179	24	115-208/230	Man.	4.4	1.15	11.82	S, MX
3/4	1800	56C	117880.00	√	667	C6C17FC180	28	115-208/230	Man.	5.5	1.15	12.32	S, MX
1	1800	56C	117881.00	√	724	C6C17FC181	30	115-208/230	Man.	6.7	1.15	12.82	S, MX

♥ Note listing on inside back flap
 Specifications are subject to change without notice



Pump Motors

Washguard Motors

Agricultural Duty Motors

HVAC / Fan Motors

Special Voltage Motors

Definite Purpose Motors

Brake Motors

IEC Motors

DC Motors

Agricultural Duty Motors

Variable Speed - High Performance AG Fan Motors

Designed for use in agricultural fan applications where variable speed is required

Features:

- Water-tight connection end compartment
- Locked double sealed ball bearings
- All angle mounting
- Shaft seal on output shaft end
- Automatic overload protected



Single Phase - TEAO - Rigid Base - Extended Thru-Bolts

HP	SYN RPM 60 Hz	NEMA Frame	Catalog Number	Stock	List Price	Model Number	App. Wgt. (lbs)	Voltage	Over-load Prot.	F. L. Amps @ 230V	Service Factor	"C" Dim. (Inches)	♥Notes
1/4	1625	48Y	A099899.00	√	415	A4P17NZ139	19	115/230	Auto.	1.4	1.00	10.64	S, MX
1/4	1625	48Y	A099460.00	√	488	A4P11NB5	23	115/230	Auto.	1.5	1.00	11.14	S, MX
1/3	1625	48Y	A099900.00	√	443	A4P17NZ141	20	115/230	Auto.	1.7	1.00	10.89	S, MX
1/3	1060	48Y	A099461.00	√	480	A4P17NZ86	23	115/230	Auto.	1.8	1.00	11.14	S, MX
1/2	1625	48Y	A099901.00	√	492	A4P17NZ142	23	115/230	Auto.	2.6	1.00	10.89	S, MX
1/2	1060	48Y	A099462.00	√	524	A4P911NZ85	26	115/230	Auto.	2.8	1.00	10.89	S, MX

♥ Note listing on inside back flap
Specifications are subject to change without notice

Agricultural Fan Motors - Belt Drive - TEAO

Designed for use in agricultural belted fan applications

Features:

- Capacitor start/capacitor run designs for high efficiency
- Mount in airstream for proper cooling
- 56H frame motors have a combination 566/140 frame stamped steel base



High-Efficiency - Single Phase

HP	SYN RPM 60 Hz	NEMA Frame	Catalog Number	Stock	List Price	Model Number	App. Wgt. (lbs)	Voltage	Over-load Prot.	F. L. Amps @ 230V	Service Factor	"C" Dim. (Inches)	♥Notes
1/2	1725	56	A009580.00	√	603	A6K17NB30	28	115/230	-	2.2	1.00	11.44	S, MX
3/4	1725	56	A009581.00	√	639	A6K17NB29	30	115/230	Auto.	2.3	1.00	10.94	S, MX
1	1725	56H	A009782.00	√	663	A6K17NB33	37	115/230	Auto.	3.0	1.00	12.44	S, MX
1 1/2	1725	56H	A009594.00	√	791	A6K17NB32	39	115/230	Auto.	4.0	1.25	11.94	S, MX
2	1725	145T	A009595.00	√	877	U145K17NB2	50	230	Auto.	9.2	1.00	13.49	S, MX *

* Frame mounted conduit box

♥ Note listing on inside back flap
Specifications are subject to change without notice



Agricultural Duty Motors

Lincoln Agriculture Fan Motors™

115/230 Volts - Belt Drive - Overload Protection

Pump Motors

Washguard Motors

Agricultural Duty Motors

HVAC / Fan Motors

Special Voltage Motors

Definite Purpose Motors

Brake Motors

IEC Motors

DC Motors

Features:

- Capacitor start/capacitor run design
- Ball bearings
- LM24777 must be mounted in airstream



Single Phase - TENV - Rigid Base

HP	SYN RPM 60 Hz	NEMA Frame	Catalog Number	Stock	List Price	Model Number	App. Wgt. (lbs)	Voltage	Over-load Prot.	F. L. Amps @ 230V	Service Factor	"C" Dim. (Inches)	Notes
1/2	1725	56Z	LM24776	✓	847	SRN4S0.5TZ1B6027TP2-1	23	115/230	Auto	2.2	1.00	10.47	S, MX, 12, 53
1	1725	56Z	LM24777	✓	1,133	SRA4S1TZ1B6027TP2-1	32	115/230	Auto	4.7	1.00	11.44	S, MX, 53, *

* LM24777 is a TEAO design

♥ Note listing on inside back flap
Specifications are subject to change without notice

Agriculture Fan Direct Drive Thru-Bolt Mount

Features:

- 1/2" long thru-bolts
- 48Y - 1/2" dia., 1-1/2 long shaft with flat
- 48YZ - 1/2" dia., 2-1/2" long shaft with two flats



Single Speed - Single Phase - TEAO - Thru-Bolt Mount

HP	SYN RPM 60 Hz	NEMA Frame	Catalog Number	Stock	List Price	Model Number	App. Wgt. (lbs)	Voltage	Over-load Prot.	F. L. Amps @ 115V	Service Factor	"C" Dim. (Inches)	Notes
1/4	1725	48Y	LM24488	C/A	515	SPN4S0.25TZNY1S6001TP1-1	10	115	Auto	4.0	1.00	7.62	S, MX

C/A - Check Availability

♥ Note listing on inside back flap
Specifications are subject to change without notice

Two Speed - Single Phase - TEAO - Thru-Bolt Mount

HP	SYN RPM 60 Hz	NEMA Frame	Catalog Number	Stock	List Price	Model Number	App. Wgt. (lbs)	Voltage	Over-load Prot.	F. L. Amps @ 115V	Service Factor	"C" Dim. (Inches)	Notes
1/4	1725	48YZ	LM24492	C/A	537	SPA4/6/1S0.25/0.25TZNY1S6001TP2-1	17	115	Auto	3.7	1.00	11.09	S, MX
1/3	1725	48YZ	LM24491	C/A	605	SPA4/6/1S0.33/0.33TZNY1S6001TP2-1	18	115	Auto	5.3	1.00	11.34	S, MX

C/A - Check Availability

♥ Note listing on inside back flap
Specifications are subject to change without notice



Agricultural Duty Motors

Lincoln Agriculture Fan Motors

Features:

- 115 & 230 Volts - single phase
- Extended thru-bolts on 48Z frame motors
- 48Z - 1/2 dia. shaft, 2-1/2 long with two flats
- 56Z - 1/2 dia. shaft, 2-1/2" long shaft with keyway
- Includes 5/8" shaft adaptor sleeve with key



Single Phase - TEAO - Resilient Base

HP	SYN RPM 60 Hz	NEMA Frame	Catalog Number	Stock	List Price	Model Number	App. Wgt. (lbs)	Voltage	Over-load Prot.	F. L. Amps @ 115V	Service Factor	"C" Dim. (Inches)	Notes
1/4	1725	48Z	LM24487	C/A	537	SPA4S0.25TZRY1S6001TP2-1	17	115	Auto	3.5	1.00	17.32	S, MX
1/3	1725	48Z	LM24486	√	657	SPA4S0.33TZRY1S6001TP2-1	21	115	Auto	4.2	1.00	17.32	S, MX
1/2	1725	56Z	LM24809	C/A	816	SRA4S0.5TZR1S6027TP2-1	25	115/230	Auto	6.6	1.00	11.34	S, MX

C/A - Check Availability

♥ Note listing on inside back flap
Specifications are subject to change without notice

Aeration Fan, HVAC

115 & 230 VOLTS - Single Phase

Features:

- Automatic overload protected
- Sealed bearings
- 18" extended leads
- Shaft has keyway and 1/4-20 UNC tapped hole on end of shaft



Single Phase - TEAO - Rigid Base

HP	SYN RPM 60 Hz	NEMA Frame	Catalog Number	Stock	List Price	Model Number	App. Wgt. (lbs)	Voltage	Over-load Prot.	F. L. Amps @ 230V	Service Factor	"C" Dim. (Inches)	Notes
1	3450	56Z	LM24786	√	654	SRA2S1TZ1C6027L10MB6TP2-1	29	115/230	Auto	5.6	1.15	10.94	S, MX
1 1/2	3475	143TZ	LM24787	√	743	SSA2S1.5TZ1C6027L10MB6TP2-1	35	115/230	Auto	8.4	1.00	11.49	S, MX
3	3510	145TZ	LM24788	√	915	SS145A2S3TZ1B66L10MB6TP2-1	52	230	Auto	11.8	1.00	13.49	S, MX

C/A - Check Availability

♥ Note listing on inside back flap
Specifications are subject to change without notice



What **if** ...

your farm duty motor
worked as hard as you do?



Don't let a motor decide when your day ends.

LEESON[®] Farm/Ag motors are designed for one thing—work. Specifically, to handle high-starting loads and severe-duty applications of the agricultural industry. For more than 40 years, we have listened to user feedback to help engineer motor solutions that work just as you expect. The result is the development of specialty OEM motor designs, stock replacement motors as well as new equipment solutions.

LEESON Farm/Ag motors—just like you, they're not afraid of work.

Find out more about which LEESON motors are right for your applications, online at:

www.regalbeloit.com
Creating a better tomorrow™ ...



REGAL[®]

HVAC – Fan Motors

Pump
Motors

Washguard
Motors

Agricultural
Duty Motors

HVAC / Fan
Motors

Special Voltage
Motors

Definite
Purpose Motors

Brake Motors

IEC Motors

DC Motors



- Various voltages and mounting types available
- Single and three phase fan duty motors
- Rigid base, resilient base, pedestal base, belly band mount and extended thru-bolt mount types
- Drip-proof, TEFC, TEAO and DPAO designs
- General purpose duty
- Agricultural duty
- UL recognized and CSA certified

Applications:

Ideally suited for a variety of fan applications requiring the motor to either be mounted in or out of the air stream for proper ventilation. Some motors have an epoxy finish for harsh applications and other motors have a baked on enamel finish. Industrial, commercial and agricultural fan motors available.



HVAC - Fan Motors

Resilient Base Motors - Single Phase

Fan & Blower Service - Moderate Starting Torque

General Specifications:

- Industrial quality, resilient (cradle) mounted
- Capacitor start-type
- Ball bearing designs
- Moderate starting torque to reduce machinery stresses
- Suitable for belt-driven fans or fan-on-shaft applications



Drip-Proof – Single Phase – Resilient Base

HP	SYN RPM 60 Hz	NEMA Frame	Catalog Number	Stock	List Price	Model Number	App. Wgt. (lbs)	Voltage	Over-load Prot.	F. L. Amps @ 230V	Service Factor	"C" Dim. (Inches)	Notes
1/4	3600	48	101434.00	√	414	A4C34DR8	19	115/208-230	Auto.	2.0	1.00	9.39	S, MX
1/4	3600	48	E101434.00	√	491	A4K34DR4	19	115/230	Auto.	2.0	1.00	10.39	S, MX, 53
1/4	1800	48	100109.00	√	448	A4C17DR1	17	115/208-230	Auto.	2.7	1.35	9.89	S, MX
1/4	1800	48	E100109.00	√	573	A4K17DR18	16	115/230	Auto.	1.2	1.35	11.14	S, MX, 53
1/4	1800	48	100111.00	√	387	A4C17DR3	17	115/208-230	Auto.	2.7	1.00	9.89	S, MX
1/4	1800	48	E100111.00	√	501	A4K17DR17	15	115/230	Auto.	1.2	1.00	11.14	S, MX, 53
1/4	1800	48	102963.00	√	448	A4C17DR47	17	277	Auto.	2.2*	1.35	9.89	S, MX
1/3	3600	48	101431.00	√	393	A4C34DR11	20	115/208-230	Auto.	2.3	1.00	9.39	S, MX
1/3	3600	48	E101431.00	√	562	A4K34DR1	20	115/230	Auto.	1.5	1.00	11.14	S, MX, 53
1/3	1800	48	100110.00	√	546	A4C17DR2	21	115/208-230	Auto.	3.3	1.35	9.89	S, MX
1/3	1800	48	E100110.00	√	599	A4K17DR19	21	115/230	Auto.	1.9	1.35	11.14	S, MX, 53
1/3	1800	48	101015.00	√	448	A4C17DR31	21	115/208-230	Auto.	3.3	1.00	9.89	S, MX
1/3	1800	48	E101015.00	√	490	A4K17DR20	21	115/230	Auto.	1.9	1.00	11.14	S, MX, 53
1/3	1800	S56	100014.00	√	500	C4K17DJ5	19	115/230	None	3.3	1.35	10.31	S, MX, 53
1/3	1800	S56	E100014.00	√	645	C4K17DJ9	21	115/230	None	1.9	1.35	10.97	S, MX, 53
1/3	1800	S56	100010.00	√	546	A4C17DJ2	18	115/208-230	Auto.	3.3	1.35	10.31	S, MX
1/3	1800	S56	E100010.00	√	605	A4K17DJ11	18	115/230	Auto.	1.9	1.35	11.81	S, MX, 53
1/3	1800	S56	100063.00	√	448	A4C17DJ9	19	115/208-230	Auto.	3.3	1.00	10.31	S, MX
1/3	1800	S56	E100063.00	√	575	A4K17DJ12	22	115/230	Auto.	1.9	1.00	11.81	S, MX, 53
1/3	1800	S56	102964.00	√	546	A4C17DJ72	18	277	Auto.	2.8*	1.35	10.31	S, MX
1/2	3600	48	101432.00	√	470	A4C34DR10	23	115/208-230	Auto.	3.4	1.00	9.89	S, MX
1/2	3600	48	E101432.00	√	567	A4K34DR2	23	115/230	Auto.	2.2	1.00	11.39	S, MX, 53
1/2	1800	S56	100015.00	√	555	C4C17DJ6	24	115/208-230	None	4.4	1.25	10.81	S, MX
1/2	1800	S56	E100015.00	√	664	C4K17DJ10	25	115/230	None	2.3	1.25	11.47	S, MX, 53
1/2	1800	S56	100045.00	√	533	M4C17DJ17	24	115/208-230	Man.	4.4	1.00	10.81	S, MX
1/2	1800	S56	E100045.00	√	657	M4K17DJ13	24	115/230	Man.	2.3	1.00	12.31	S, MX, 53
1/2	1800	S56	101611.00	√	588	A4C17DJ57	25	115/208-230	Auto.	4.4	1.25	10.81	S, MX, 32
1/2	1800	S56	E101611.00	√	667	A4K17DJ14	25	115/230	Auto.	2.3	1.25	12.31	S, MX, 32, 53
1/2	1800	S56	100011.00	√	588	A4C17DJ3	25	115/208-230	Auto.	4.4	1.25	10.81	S, MX
1/2	1800	S56	E100011.00	√	667	A4K17DJ13	25	115/230	Auto.	2.3	1.25	12.31	S, MX, 53
1/2	1800	S56	100064.00	√	535	A4C17DJ10	24	115/208-230	Auto.	4.4	1.00	10.81	S, MX
1/2	1800	S56	E100064.00	√	704	A4K17DJ79	24	115/230	Auto.	2.3	1.00	12.31	S, MX, 53
1/2	1800	S56	102965.00	√	588	A4C17DJ74	22	277	Auto.	3.7*	1.25	10.81	S, MX

Green items are Premium Efficient

* F.L. Amps at 277V

Continued To Next Page

♥ Note listing on inside back flap Specifications are subject to change without notice



Pump Motors

Washguard Motors

Agricultural Duty Motors

HVAC / Fan Motors

Special Voltage Motors

Definite Purpose Motors

Brake Motors

IEC Motors

DC Motors

HVAC - Fan Motors

Resilient Base Motors - Single Phase Fan & Blower Service - Moderate Starting Torque

Drip-Proof – Single Phase – Resilient Base

HP	SYN RPM 60 Hz	NEMA Frame	Catalog Number	Stock	List Price	Model Number	App. Wgt. (lbs)	Voltage	Over-load Prot.	F. L. Amps @ 230V	Service Factor	"C" Dim. (Inches)	Notes
3/4	3600	48	101433.00	√	508	A4C34DR9	25	115/208-230	Auto.	4.8	1.00	10.39	S, MX
3/4	3600	48	E101433.00	√	630	A4K34DR3	25	115/230	Auto.	3.6	1.00	11.89	S, MX, 53
3/4	3600	S56H	100603.00	√	541	A4C34DJ7	28	115/208-230	Auto.	4.9	1.25	11.31	S, MX
3/4	3600	S56H	E100603.00	√	643	A4K34DJ1	28	115/230	Auto.	3.6	1.25	12.31	S, MX, 53
3/4	1800	S56H	100016.00	√	736	C6K17DJ7	29	115/230	None	5.4	1.25	11.81	S, MX, 53
3/4	1800	56H	E119362.00	√	766	C6K17DR44	33	115/230	None	3.3	1.25	13.21	S, MX, 53
3/4	1800	S56H	100046.00	√	728	M4C17DJ18	26	115/208-230	Man.	5.4	1.25	11.81	S, MX
3/4	1800	56	E119858.00	√	851	M6K17DR1	33	115/208-230	Man.	3.3	1.25	12.54	S, MX, 53
3/4	1800	S56H	100047.00	√	609	M4C17DJ19	27	115/208-230	Man.	5.5	1.00	11.81	S, MX
3/4	1800	56	E119859.00	√	764	56B17DRS70006A3	27	115/208-230	Man.	3.3	1.25	12.54	S, MX, 53
3/4	1800	S56H	101839.00	√	728	A4C17DJ67	28	115/208-230	Auto.	5.4	1.25	11.81	S, MX, 32
3/4	1800	56	E119864.00	√	779	56B17DRS70003A3	25	115/208-230	Auto.	3.3	1.25	12.54	S, MX, 53
3/4	1800	S56H	100012.00	√	728	A4C17DJ4	26	115/208-230	Auto.	5.4	1.25	11.81	S, MX
3/4	1800	56	E119856.00	√	790	56B17DRS70004A3	29	115/208-230	Auto.	3.3	1.25	12.54	S, MX, 53
3/4	1800	S56H	100065.00	√	604	A4C17DJ11	25	115/208-230	Auto.	5.5	1.00	11.81	S, MX
3/4	1800	56	E119860.00	√	749	56B17DRS70005A3	38	115/208-230	Auto.	3.3	1.25	12.54	S, MX, 53
3/4	1800	S56H	102966.00	√	728	A4C17DJ73	26	277	Auto.	4.5*	1.25	11.81	S, MX
1	3600	56H	110478.00	√	679	A6C34DR6	31	115/208-230	Auto.	6.0	1.25	11.85	S, US
1	3600	56H	E110478.00	√	683	A6K34DR6	31	115/230	Auto.	3.9	1.25	12.82	S, US, 53
1	1800	56H	113027.00	√	737	C6K17DR37	32	115/230	None	6.4	1.15	11.81	S, US, 53
1	1800	56H	E113027.00	√	825	C6K17DR43	36	115/230	None	4.2	1.15	12.82	S, US, 53
1	1800	56H	110007.00	√	788	A6C17DR1	32	115/208-230	Auto.	6.4	1.15	11.83	S, US
1	1800	56	E110007.00	√	868	A6K17DR50	35	115/230	Auto.	4.2	1.15	12.82	S, US, 53
1	1800	56H	110054.00	√	771	A6C17DR2	35	115/208-230	Auto.	6.4	1.00	11.81	S, US
1	1800	56H	E110054.00	√	842	A6K17DR49	35	115/230	Auto.	4.2	1.00	12.82	S, US, 53
1	1800	56H	116599.00	√	788	A6C17DR54	32	277	Auto.	5.4*	1.20	11.82	S, US
1 1/2	3600	56H	110479.00	√	804	A6C34DR7	33	115/208-230	Auto.	8.2	1.15	11.82	S, US
1 1/2	3600	56H	E110479.00	√	920	A6K34DR7	33	115/230	Auto.	6.1	1.15	13.32	S, US, 53
1 1/2	1800	56H	110579.00	√	953	A6K17DR6	41	115/208-230	Auto.	7.2	1.15	12.82	S, US, 6
1 1/2	1800	56H	E110579.00	√	1,005	U6K17DR48	41	115/230	Auto.	6.5	1.15	13.82	S, US, 53
1 1/2	1800	56H	116600.00	√	1,035	A6K17DR41	41	277	Auto.	6.0*	1.15	12.82	S, US
2	3600	56H	113633.00	√	1,007	U6C34DR21	41	115/208-230	Auto.	10.0	1.15	13.82	S, US
2	3600	56H	E113633.00	√	1,067	U6K34DR8	41	115/230	Auto.	8.0	1.15	12.82	S, US, 53
2	1800	56H	113608.00	√	1,016	A6K17DR28	45	115/208-230	Auto.	9.2	1.15	13.82	S, US, 6
2	1800	56H	E113608.00	√	1,097	56B17DRS70010A3	45	115/208-230	Auto.	8.0	1.15	14.63	S, US, 6, 53
2	1800	56H	116601.00	√	1,016	A6K17DR42	45	277	Auto.	8.7*	1.15	13.82	S, US

Green items are Premium Efficient

* F.L. Amps at 277V
C/A - Check Availability

♥ Note listing on inside back flap
Specifications are subject to change without notice



HVAC – Fan Motors

Single Phase - Resilient Base



Features:

- Industrial quality, resilient (cradle) mounted
- High starting torque
- Automatic overload protected
- Suitable for belt-driven fans or fan-on-shaft applications

Single Phase - TEFC - Resilient Base

HP/kW	RPM 60 Hz	NEMA Frame	Catalog Number	Stock	List Price	Model Number	App. Wgt. (lbs)	Voltage	Over- load Prot.	F. L. Amps @ 230 V	Service Factor	"C" Dim. (Inches)	♥Notes
1/2	1725	56	110025.00	√	666	A6C17FR1	29	115/208-230	Auto.	4.4	1.15	11.96	S, US
3/4	1725	56	110026.00	√	798	A6C17FR2	31	115/208-230	Auto.	5.4	1.15	12.46	S, US, 6
1	1725	56H	111915.00	√	908	A6C17FR10	34	115/208-230	Auto.	6.4	1.15	12.96	S, US, 6

♥ Note listing on inside back flap
Specifications are subject to change without notice

Wattsaver® Premium Efficiency Fan Motors

Features:

- Premium efficient
- Class F insulation
- Terminal boards
- Automatic overload protected



Single Phase - Drip-Proof - Resilient Base

HP/kW	RPM 60 Hz	NEMA Frame	Catalog Number	Stock	List Price	Model Number	App. Wgt. (lbs)	Voltage	Over- load Prot.	F. L. Amps @ 230 V	Service Factor	% FL. Eff.	"C" Dim. (Inches)	♥Notes
1/4	1800	48	101602.00	√	497	A4K17DR7	22	115	Auto.	2.5	1.35	71.0	10.39	S, MX, 32
1/3	1800	48	101405.00	√	587	A4K17DR5	22	115	Auto.	3.2	1.35	75.0	10.39	S, MX, 32
1/2	1800	48	101585.00	√	671	A4K17DR6	25	115	Auto.	4.6	1.35	76.0	11.39	S, MX, 32

Green items are Premium Efficient

♥ Note listing on inside back flap
Specifications are subject to change without notice

HVAC - Fan Motors

Resilient Base Motors - Three Phase Fan & Blower Service



General Specifications:

- Industrial quality, resilient (cradle) mounted
- Ball bearing design
- Moderate starting torque to reduce fan stresses
- Suitable for belt-driven fans or fan-on-shaft applications

Three Phase - TEFC - Resilient Base

HP	RPM 60 Hz	NEMA Frame	Catalog Number	Stock	List Price	Model Number	App. Wgt. (lbs)	Voltage	Over- load Prot.	F. L. Amps @ 230V	Service Factor	% FL. EFF.	"C" Dim. (Inches)	♥Notes
1/2	1725	56	111917.00	√	626	C6T17NR1	28	208-230/460	None	1,8	1.15	78,5	11,31	S, US, 6, 12
1	1725	56	119419.00	√	908	C6T17FR3	38	208-230/460	None	3,2	1.15	85,5	13,84	S, US, 6, 13

Note 12 - TENV

♥ Note listing on inside back flap
Specifications are subject to change without notice

Drip-Proof - Three Phase - Resilient Base

HP	SYN RPM 60 Hz	NEMA Frame	Catalog Number	Stock	List Price	Model Number	App. Wgt. (lbs)	Voltage	Over- load Prot.	F. L. Amps @ 230V	Service Factor	% FL. EFF.	"C" Dim. (Inches)	♥Notes
1/3	3450	S56	101639.00	√	455	A4T34DJ4	20	208-230/460	Auto.	1.7	1.35	61.0	10.31	S, US, 33
1/3	3450	S56	E101639.00	√	489	C6T17FR3	20	230/460	Auto.	1.4	1.35	69.5	11.25	S, MX, 33
1/3	1725	S56	E100210.00	√	544	C4T17DJ25	32	230/460	None	1.2	1.35	73.4	12.31	S, MX
1/3	1725	S56	101520.00	√	604	A4T17DJ18	17	230/460	Auto.	1.6	1.35	64.3	10.81	S, MX, 33
1/3	1725	S56	E101520.00	√	627	A4T17DJ26	17	230/460	Auto.	1.2	1.35	73.4	12.31	S, MX, 33
1/2	3450	S56	101640.00	√	546	A4T34DJ3	21	208-230/460	Auto.	2.4	1.25	69.0	10.31	S, US, 33
1/2	3450	S56	E101640.00	C/A	624	—	—	230/460	Auto.	—	—	73.4	—	—
1/2	1725	56	E119360.00	√	635	C6T17DR40	23	230/460	None	2.0	1.25	78.2	10.82	S, MX
1/2	1725	S56	100796.00	√	662	A4T17DJ10	25	230/460	Auto.	2.0	1.25	68.0	11.31	S, MX
1/2	1725	56	E119879.00	√	748	56T17DRS70001A3	25	230/460	Auto.	1.8	1.25	78.2	11.54	S, US, 33
3/4	3450	S56	E101773.00	√	572	C4T34DJ8	20	230/460	None	2.4	1.25	76.8	10.81	S, MX
3/4	3450	S56	101641.00	√	666	A4T34DJ5	23	230/460	Auto.	2.4	1.25	79.0	11.31	S, US, 33
3/4	3450	S56	E101641.00	√	666	A4T34DJ5	23	230/460	Auto.	2.4	1.25	79.0	11.31	S, US, 33
3/4	1725	56	E119361.00	√	682	C6T17DR41	29	230/460	None	2.4	1.25	81.5	11.82	S, MX
3/4	1725	S56	100908.00	√	780	A4T17DJ13	29	230/460	Auto.	2.8	1.25	75.0	11.81	S, US, 33
3/4	1725	56	E119880.00	√	780	56T17DRS70002A3	29	208-230/460	Auto.	2.6	1.25	81.1	12.04	S, US, 33
1	3450	56	E114192.00	√	609	C6T34DR35	22	230/460	None	3.2	1.25	77.0	10.82	S, US
1	3450	56	113895.00	√	703	A6T34DR44	28	230/460	Auto.	3.2	1.25	77.0	10.82	S, US, 33
1	3450	56	E113895.00	C/A	703	A6T34DR44	28	230/460	Auto.	3.2	1.25	77.0	10.82	S, US, 33
1	1725	56	E110052.00	√	858	C6T17DR37	38	230/460	None	3.2	1.15	83.5	13.32	S, US
1	1725	56H	111311.00	√	746	A6T17DR11	30	208-230/460	Auto.	4.2	1.15	78.5	11.31	S, US, 33
1	1725	56H	E111311.00	√	875	A6T17DR63	36	230/460	Auto.	3.2	1.15	83.5	13.82	S, US, 33
1 1/2	3450	56H	E114194.00	C/A	877	C6T34DR3	35	230/460	None	4.0	1.15	84.0	12.82	S, US
1 1/2	3450	56H	113896.00	√	797	A6T34DR31	32	230/460	Auto.	4.2	1.15	81.5	11.82	S, US, 33
1 1/2	3450	56H	E113896.00	√	892	U6T34DR43	32	230/460	Auto.	4.0	1.15	84.0	12.32	S, US, 33
1 1/2	1725	56H	E110433.00	√	919	C6T17DR38	42	230/460	None	4.8	1.15	86.5	13.82	S, US
1 1/2	1725	56H	113846.00	√	859	A6T17DR25	32	230/460	Auto.	5.6	1.15	78.5	11.81	S, US, 33
1 1/2	1725	56H	E113846.00	√	939	A6T17DR47	42	230/460	Auto.	4.8	1.15	86.5	14.32	S, US, 33
2	3450	56H	E114196.00	√	970	C6T34DR38	46	230/460	None	4.8	1.15	85.5	13.82	S, US
2	3450	56H	113897.00	√	926	A6T34DR32	42	208-230/460	Auto.	5.6	1.15	82.5	12.32	S, US, 33
2	3450	56H	E113897.00	√	986	A6T34DR42	42	230/460	Auto.	4.8	1.15	85.5	14.32	S, US, 33
2	1725	56H	E114197.00	√	1,011	C6T17DR39	57	230/460	None	5.8	1.15	86.5	14.32	S, US
2	1725	56H	113847.00	√	926	A6T17DR26	36	230/460	Auto.	6.2	1.15	78.5	12.31	S, US, 33
2	1725	56H	E113847.00	√	1,116	A6T17DR48	46	230/460	Auto.	5.8	1.15	86.5	15.32	S, US, 33
3	3450	56HZ	113926.00	√	913	U6T34DR33	43	230/460	Auto.	7.6	1.00	84.0	13.19	S, US, 33
3	1725	56HZ	116593.00	√	993	A6T17DR33	50	230/460	Auto.	8.6	1.15	82.5	14.19	S, US, 33

Green items are Premium Efficient

C/A - Check Availability

♥ Note listing on inside back flap
Specifications are subject to change without notice



HVAC – Fan Motors

Fan & Blower Motors

Multi-Speed - Single & Three Phase

Pump Motors

Washguard Motors

Agricultural Duty Motors

HVAC / Fan Motors

Special Voltage Motors

Definite Purpose Motors

Brake Motors

IEC Motors

DC Motors

Features:

- Variable torque
- PSC type for shaft mounted fan applications
- Overload protected with a UL and CSA recognized automatic reset protector
- Listed speed or two speed operation using the proper auxiliary switch - reference drawing 005210.01
- Variable speed by using a variable voltage control
- Overload protected with a UL and CSA recognized automatic reset protector
- Must be mounted in airstream for proper motor cooling
- Extended through-bolts
- Epoxy powder coat painted motors



Single Phase - TEAO - PSC Type - Resilient Base

HP/kW	RPM 60 Hz	NEMA Frame	Catalog Number	Stock	List Price	Model Number	App. Wgt. (lbs)	Voltage	Over- load Prot.	F. L. Amps @ 230 V	Service Factor	"C" Dim. (Inches)	♥Notes
1/4	1625	48Z	100803.00	√	441	A4P17NR1	22	115/230	Auto.	1.4	1.00	10.66	S, MX, 16, 34
1/4	1075	48Z	100824.00	√	499	A4P11NR2	23	115/230	Auto.	1.4	1.00	10.66	S, MX, 16, 34
1/4	1075	S56Z	100805.00	√	552	A4P11NJ1	25	115/230	Auto.	1.4	1.00	11.06	S, MX, 17, 34
1/3	1625	48Z	100804.00	√	459	A4P17NR2	18	115/230	Auto.	1.6	1.00	10.66	S, MX, 16, 34
1/3	1625	S56H	100767.00	√	530	A4P17NJ1	25	115/230	Auto.	1.6	1.00	10.31	S, MX, 34
1/3	1625	56HY	111348.00	√	577	A6P17NZ6	32	115/230	Auto.	1.7	1.00	12.94	S, US, 59
1/3	1075	48Z	100825.00	√	541	A4P11NR3	28	115/230	Auto.	1.8	1.00	11.16	S, MX, 16, 34
1/3	1075	S56HZ	100806.00	√	581	A4P11NJ2	30	115/230	Auto.	1.8	1.00	11.56	S, MX, 17, 34
1/2	1625	56HZ	111323.00	√	660	A6P17NR3	33	115/230	Auto.	2.5	1.00	12.60	S, US, 17, 34
1/2	1625	S56H	100768.00	√	544	A4P17NJ2	39	115/230	Auto.	2.2	1.00	10.81	S, MX, 34
1/2	1075	48Z	101645.00	√	585	A4P11NR6	27	115/230	Auto.	2.8	1.00	11.16	S, MX, 16, 34
1/2	1075	56HZ	111321.00	√	685	A6P11NR1	37	115/230	Auto.	3.0	1.00	13.60	S, US, 17, 34
1/2	825	56HZ	111919.00	√	768	A6P8NR2	43	115/230	Auto.	3.2	1.00	13.60	S, US, 17, 34, 50
3/4	1625	56HZ	111324.00	√	722	A6P17NR4	37	115/230	Auto.	3.5	1.00	13.10	S, US, 17
3/4	1625	56H	111266.00	√	722	A6P17NR1	39	115/230	Auto.	3.5	1.00	12.31	S, US
3/4	1075	56HZ	111322.00	√	776	A6P11NR2	47	115/230	Auto.	4.0	1.00	14.10	S, US, 17, 50
1	1625	56HZ	111267.00	√	807	A6P17NR2	39	115/230	Auto.	4.4	1.00	12.81	S, US

♥ Note listing on inside back flap
Specifications are subject to change without notice

Single Phase - TEAO - PSC Type - Rigid Base

HP/kW	RPM 60 Hz	NEMA Frame	Catalog Number	Stock	List Price	Model Number	App. Wgt. (lbs)	Voltage	Over- load Prot.	F. L. Amps @ 230 V	Service Factor	"C" Dim. (Inches)	♥Notes
1/4	1625	48Y	100699.00	√	420	A4P17NB7	19	115/230	Auto.	1.4	1.00	10.65	S, MX
1/4	1750	48Y	101252.00	√	420	A4P17NB27	19	115/208-230	Auto.	1.5	1.00	10.40	S, MX, 50
1/3	1625	48Y	100700.00	√	477	A4P17NB8	24	115/230	Auto.	1.6	1.00	10.65	S, MX
1/3	1625	56Y	111202.00	C/A	550	A6P17NZ1	30	115/230	Auto.	1.7	1.00	12.05	S, US, 62
1/3	1750	48Y	101253.00	√	477	A4P17NB28	22	115/208-230	Auto.	1.9	1.00	10.65	S, MX, 50
1/3	1140	S56Z	100604.00	√	517	A4P11NH1	23	115/208-230	Auto.	1.8	1.00	11.40	S, MX
1/2	1625	48Y	100701.00	√	511	A4P17NB9	25	115/230	Auto.	2.5	1.00	12.15	S, MX
1/2	1750	S56Y	101176.00	√	524	A4K17NH2	24	115/230	Auto.	3.5	1.00	10.40	S, MX, 50, 54

Motor 101176 must be mounted within the airflow of the fan
C/A - Check Availability

♥ Note listing on inside back flap
Specifications are subject to change without notice



HVAC - Fan Motors

Two-Speed - Two-Winding - Variable Torque

Features:

- Belted or fan-on-shaft applications
- Can be mounted within or outside the fan's airstream
- Resilient mounted for quiet operation
- 3/4 HP and larger single phase are capacitor start motors; smaller single phase are split phase start
- Ball bearings



Single Phase - Drip-Proof - Resilient Base

HP	RPM 60 Hz	NEMA Frame	Catalog Number	Stock	List Price	Model Number	App. Wgt. (lbs)	Voltage	F. L. Amps High/Low	Service Factor	"C" Dim. (Inches)	♥Notes
1/4 1/12	1725	48Z	101020.00	√	473	C4S46DR1	23	115	4.6-3.4	1.00	11.18	S, US, 16
1/3 3/20	1725	S56H	101021.00	√	603	C4S46DJ1	29	115	5.0-4.6	1.00	12.27	S, MX
1/2 1/4	1725	56H	111953.00	√	752	C6S46DR1	36	115	7.8-4.6	1.00	12.32	S, US
1/2 1/4	1725	56H	113643.00	√	752	C6S46DR2	36	230	3.9-2.3	1.00	12.32	S, US
3/4 1/3	1725	56H	111954.00	√	1,090	C6C46DR2	41	115	11.0-6-7	1.00	17.23	S, US, 6
3/4 1/3	1725	56H	113672.00	√	1,090	C6C46DR5	42	230	5.8-3.5	1.15	13.31	S, US, 6
1 7/16	1725	56H	111955.00	√	1,281	C6K46DR1	44	115	13.2-9.5	1.00	12.82	S, US, 6, 53
1 7/16	1725	56H	113373.00	√	1,281	C6K46DR3	42	230	6.5-4.6	1.00	12.82	S, US, 6, 53

♥ Note listing on inside back flap
Specifications are subject to change without notice

Three Phase - Drip-Proof - Resilient Base

HP	RPM 60 Hz	NEMA Frame	Catalog Number	Stock	List Price	Model Number	App. Wgt. (lbs)	Voltage	F. L. Amps High/Low	Service Factor	"C" Dim. (Inches)	♥Notes
1/2 2/9	1725	56H	111956.00	√	1,231	C6T46DR1	35	208-230	1.8-1.1	1.00	12.32	S, US
1/2 2/9	1725	56H	111957.00	C/A	1,133	C6T46DR2	35	460	0.9-0.5	1.00	12.32	S, US
3/4 1/3	1725	56H	111958.00	√	1,195	C6T46DR3	39	208-230	2.8-1.6	1.00	12.82	S, US, 6
3/4 1/3	1725	56H	111959.00	C/A	1,195	C6T46DR4	39	460	1.4-0.8	1.00	12.82	S, US, 6
1 7/16	1725	56H	111960.00	√	1,281	C6T46DR5	43	208-230	4.0-2.4	1.00	12.82	S, US, 6
1 7/16	1725	56H	111961.00	√	1,281	C6T46DR6	43	460	2.0-1.2	1.00	12.82	S, US, 6
11/2 2/3	1725	56H	111962.00	√	1,556	C6T46DR7	43	208-230	5.0-2.6	1.00	13.32	S, US, 6
11/2 2/3	1725	56H	111963.00	√	1,556	C6T46DR8	42	460	2.5-1.3	1.00	12.82	S, US, 6

C/A - Check Availability

♥ Note listing on inside back flap
Specifications are subject to change without notice

HVAC – Fan Motors

Aeration Fan Motors

Totally Enclosed Air Over Motors (TEAO)

Features:

- Suitable for shaft mounted fans
- Capacitor start designs
- Designed to run in the airflow of the driven fan
- Epoxy enamel finish to resist corrosion
- Ball bearing designs



Single Phase - Capacitor Start - TEAO - Rigid Base

HP	RPM 60 Hz	NEMA Frame	Catalog Number	Stock	List Price	Model Number	App. Wgt. (lbs)	Voltage	F. L. Amps @ 230 V	Service Factor	"C" Dim. (Inches)	♥Notes
3/4	3450	56	111332.00	√	548	C6C34NB15	30	115/208-230	5.0	1.00	10.90	S, US, 22
1	3450	56	111333.00	√	650	C6C34NB16	32	115/208-230	6.0	1.00	10.90	S, US, 22
1 1/2	3450	56	111949.00	√	840	C6C34NB19	35	115/208-230	8.5	1.00	11.40	S, US, 23
1 1/2	3450	143TZ	120374.00	√	904	C143C34NB1	34	115/208-230	8.5	1.00	11.84	S, US, 22
2	3450	145TZ	120375.00	√	1,100	C145C34NB1	44	230	10.0	1.00	12.84	S, US, 23
3	3450	145T	120376.00	√	1,159	C145K34NB1	48	230	12.8	1.00	13.84	S, US, 53

♥ Note listing on inside back flap
Specifications are subject to change without notice

Three Phase - TEAO - Rigid Base

HP	RPM 60 Hz	NEMA Frame	Catalog Number	Stock	List Price	Model Number	App. Wgt. (lbs)	Voltage	F. L. Amps @ 230 V	F.L. EFF.	Service Factor	"C" Dim. (Inches)	♥Notes
3/4	3450	56Z	111334.00	√	611	C6T34NB18	24	208-230/460	2.4	75.5	1.00	9.90	S, US, 22
1	3450	56Z	111335.00	√	609	C6T34NB19	25	208-230/460	3.2	77.0	1.00	9.90	S, US, 22
1 1/2	3450	143TZ	120377.00	√	699	C143T34NB2	34	208-230/460	4.2	82.5	1.00	11.34	S, US, 23
2	3450	145TZ	120378.00	√	828	C145T34NB1	35	208-230/460	5.6	82.5	1.00	11.84	S, US, 23
3	3450	145T	120379.00	√	929	C145T34NB2	41	208-230/460	7.6	84.0	1.00	12.34	S, US, 23

♥ Note listing on inside back flap
Specifications are subject to change without notice



Pump
Motors

Washguard
Motors

Agricultural
Duty Motors

HVAC / Fan
Motors

Special Voltage
Motors

Definite
Purpose Motors

Brake Motors

IEC Motors

DC Motors

HVAC – Fan Motors

Ventilation Fan Motor - Dust-Tight - Shaft Mounted

Features:

- Permanent split capacitor start motors
- Direct drive exhaust ventilation fans
- Extended thru-bolt designs
- Built in terminal panel for quick connections
- Motors must be mounted in the mounted fans airstream



Single Phase - PSC Type - TEAO - Thru-Bolt Mount

HP	RPM 60 Hz	NEMA Frame	Catalog Number	Stock	List Price	Model Number	App. Wgt. (lbs)	Voltage	Over- load Prot.	F. L. Amps @ 230 V	Service Factor	"C" Dim. (Inches)	♥Notes
1/3	1625	48Y	103783.00	√	465	A4P17NZ132	22	115/230	Auto	1.7	1.00	10.93	S, MX
1/2	1625	48Y	103782.00	√	502	A4P17NZ131	22	115/230	Auto	2.7	1.00	11.18	S, MX
1/2	825	56Z	114620.00	√	873	A6P8NZ2	38	115/230	Auto	3.2	1.00	12.68	S, US, 50
1/2	850	48Y	A099250.00	√	566	A4P8NZ17	24	115/230	Auto	3.0	1.00	10.80	S, MX, 20, 50

♥ Note listing on inside back flap
Specifications are subject to change without notice



Single Phase - PSC Type - TEAO - C Face Less Base

HP	RPM 60 Hz	NEMA Frame	Catalog Number	Stock	List Price	Model Number	App. Wgt. (lbs)	Voltage	Over- load Prot.	F. L. Amps @ 230 V	Service Factor	"C" Dim. (Inches)	♥Notes
1/2	850	S56C	M099251.00	D	570	A4P8NC2	27	115/230	Auto	3.0	1.00	10.40	S, CN, 25
1/2	825	S56C	A099251.00	√	570	A4P8NC3	25	115/230	Auto	3.0	1.15	10.05	S, MX, 25
1	850	S56CZ	A009644.00	√	1,035	A6P8NC7	47	230	Auto	5.2	1.15	13.44	S, MX, 21, 50

D - Item to be discontinued once inventory is depleted

♥ Note listing on inside back flap
Specifications are subject to change without notice

Three Phase - TEAO - C Face Less Base

HP	RPM 60 Hz	NEMA Frame	Catalog Number	Stock	List Price	Model Number	App. Wgt. (lbs)	Voltage	% FL Eff	F. L. Amps @ 230 V	Service Factor	"C" Dim. (Inches)	♥Notes
1/2	850	56C	116201.00	√	786	C6T8NC37	35	208-230/460	69.2	3.0	1.00	10.90	S, CN, 25
1	850	56C	116202.00	√	976	C6T8NC38	45	208-230/460	72.0	5.0	1.00	12.90	S, MX, 25

♥ Note listing on inside back flap
Specifications are subject to change without notice



HVAC – Fan Motors

Condenser Fan Motors

Features:

- For shaft mounted fan applications
- Belly band and rigid mount designs
- Designed for vertical shaft up applications
- Enclosed shaft end endshield protects against contaminants
- Automatic overload protection
- Double sealed ball bearings
- **NOT FOR USE WITH INVERTERS**



Three Phase - Drip-Proof - Belly Band & Rigid Mount

HP	RPM 60 Hz	NEMA Frame	Catalog Number	Stock	List Price	Model Number	App. Wgt. (lbs)	Voltage	F. L. Amps @ 230 V	F.L. EFF.	Service Factor	"C" Dim. (Inches)	♥Notes
1/2	1140	56Y	116772.00	√	803	A6T11Z3	25	208-230/460	2.8	66.0	1.15	12.56	S, US, 58
3/4	1140	56Y	116773.00	C/A	869	A6T11Z2	31	208-230/460	3.6	73.0	1.15	13.56	S, US, 58
1	1140	56Y	111147.00	√	987	A6T11DZ1	40	208-230/460	3.8	77.0	1.15	14.06	S, US, 58
1	1140	56Y	115778.00	√	915	A6T11DB20	37	208-230/460	3.8	77.0	1.15	14.06	S, US, 60
1 1/2	1140	56Y	111148.00	√	1,078	A6T11DZ2	45	208-230/460	5.6	79.0	1.15	15.06	S, US, 58
1 1/2	1140	56HY	115779.00	√	995	A6T11DB21	46	208-230/460	5.6	79.0	1.15	15.56	S, US, 60

Note 58 - Belly Band Mount
 Note 60 - Rigid Base Mount
 C/A - Check Availability

♥ Note listing on inside back flap
 Specifications are subject to change without notice

Fan & Blower Motors

Single Phase - Commercial Duty

Designed for continuous duty use in ventilation fans, blowers and other belt driven or fan-on-shaft applications.

Features:

- Split phase design motors
- Belt driven or fan-on-shaft applications
- Resilient base for quiet operation
- Automatic overload protection
- Built-in terminal panel for easy connection



Single Phase - Drip-Proof - Resilient Base

HP	RPM 60 Hz	NEMA Frame	Catalog Number	Stock	List Price	Model Number	App. Wgt. (lbs)	Voltage	Over- load Prot.	F.L. Amps @ 115 V	Service Factor	"C" Dim. (Inches)	♥Notes
1/4	1725	48	103797.00	√	322	A4S17DR71	19	115/230	Auto.	2.6	1.35	9.93	S, MX, 32
1/3	1725	48	103795.00	√	346	A4S17DR69	20	115/230	Auto.	2.8	1.35	10.18	S, MX, 32
1/2	1725	48	103796.00	√	400	A4S17DR70	21	115/230	Auto.	3.5	1.25	10.43	S, MX, 32

♥ Note listing on inside back flap
 Specifications are subject to change without notice



Pump Motors
 Washguard Motors
 Agricultural Duty Motors
 HVAC / Fan Motors
 Special Voltage Motors
 Definite Purpose Motors
 Brake Motors
 IEC Motors
 DC Motors

HVAC – Fan Motors

Residential / Industrial - Belted Fan Motors

Designed for use in air conditioners, roof ventilators and exhaust fans.

Features:

- Low starting torque
- Ball bearings
- Resilient “cradle” style base
- Automatic overload protection



Single Phase - Split Phase - Drip-Proof - Resilient Base

HP	RPM 60 Hz	NEMA Frame	Catalog Number	Stock	List Price	Model Number	App. Wgt. (lbs)	Voltage	Over-load Prot.	F.L. Amps @ 115 V	Service Factor	“C” Dim. (Inches)	♥Notes
1/4	1725	48YZ	M900195.00	√	292	48S17D1301	13	115	Auto.	5.0	1.35	9.72	S, MX, 7
1/3 / 1/9	1725 / 1140	56	M900277.00	√	566	56S17D7208	20	115	Auto.	5.3/2.9	1.35	10.78	S, MX
1/3	1725	48YZ	M900196.00	√	345	48S17D1303	15	115	Auto.	6.1	1.35	9.72	S, MX, 7
1/2 / 1/6	1725 / 1140	56	M900599.00	C/A	767	56S17D5710	30	115	Auto.	8.4/4.5	1.25	11.85	S, US
1/2	1725	48YZ	M900197.00	√	451	48S17D1302	20	115	Auto.	7.2	1.25	10.72	S, MX, 7

Note 7 - Includes sleeve to convert shaft to 5/8 inch
C/A - Check Availability

♥ Note listing on inside back flap
Specifications are subject to change without notice

Premium Efficiency - Industrial / Residential - Belted Fan Motors

Designed for use in residential or industrial belted fan applications.

Features:

- High efficiency designs
- Ball bearings
- Special balanced rotors
- Spade connectors on terminal board
- Automatic overload protection
- Drop-in replacement for most standard belted-fan motors
- Extremely quiet running compared to standard fan motors
- Consumes approximately half the power of a standard fan motor



Single Phase - Drip-Proof - Resilient Base

HP	RPM 60 Hz	NEMA Frame	Catalog Number	Stock	List Price	Model Number	App. Wgt. (lbs)	Voltage	Over-load Prot.	F.L. Amps @ 115 V	Service Factor	“C” Dim. (Inches)	♥Notes
1/4	1725	48	A090602.00	√	381	A4K17DR14	18	115	Auto.	2.4	1.35	10.39	S, MX, 32, 55
1/3	1725	48	A090405.00	√	400	A4K17DR15	19	115	Auto.	3.2	1.35	10.39	S, MX, 32, 55
1/2	1725	48	A090585.00	√	492	A4K17DR13	24	115	Auto.	5.0	1.35	12.14	S, MX, 32, 53

♥ Note listing on inside back flap
Specifications are subject to change without notice

HVAC – Fan Motors

Pedestal Fan Motors - PSC Type

Pump Motors

Washguard Motors

Agricultural Duty Motors

HVAC / Fan Motors

Special Voltage Motors

Definite Purpose Motors

Brake Motors

IEC Motors

DC Motors

Designed for use where the fan is mounted directly to the motor shaft. Yoke style mount is the industry standard type mount.

Features:

- Drop-in replacement for most standard belted-fan motors
- Extremely quiet running compared to standard fan motors
- Consumes approximately half of the power of a standard fan motor
- Permanent split capacitor type
- Ball bearing design
- Heavy-gauge steel yoke is welded to the motor frame
- 10-32 mounting studs are extended 1.0" on 5.14" bolt circle
- Motors are UL and CSA recognized for both the U.S. and Canadian markets
- Automatic overload protection



Single Phase - PSC Type - TEAO - Yoke Mount

HP	RPM 60 Hz*	NEMA Frame	Catalog Number	Stock	List Price	Model Number	App. Wgt. (lbs)	Voltage	Over- load Prot.	F.L. Amps @ 115 V	Service Factor	Shaft Dia.	"C" Dim. (Inches)	Notes
1/4	1625	48Y	103711.00	√	322	A4P17NZ117A	22	115/230	Auto.	3.6	1.00	0.50	10.81	S, MX
1/4	1625	48Y	191908.00	D	322	A4P17NZ64A	14	115/230	Auto.	2.6	1.00	0.63	10.95	S, CN
1/4	1625	48Y	103712.00	√	322	A4P17NZ118A	23	115/230	Auto.	3.6	1.00	0.63	10.81	S, MX
1/4	1075	48Y	103713.00	√	357	A4P11NZ74A	18	115	Auto.	3.2	1.00	0.50	10.06	S, MX
1/4	1075	48Y	103714.00	√	357	A4P11NZ75A	20	115	Auto.	3.2	1.00	0.63	10.06	S, MX
1/3	1625	48Y	103715.00	√	354	A4P17NZ65A	24	115/230	Auto.	3.5	1.00	0.50	10.81	S, MX
1/3	1625	48Y	103716.00	√	354	A4P17NZ122A	24	115/230	Auto.	3.5	1.00	0.63	10.81	S, MX
1/3	1075	48Y	103717.00	√	399	A4P11NZ76A	25	115	Auto.	4.2	1.00	0.50	10.06	S, MX
1/3	1075	48Y	103718.00	√	399	A4P11NZ77A	25	115	Auto.	4.2	1.00	0.63	10.06	S, MX
1/2	1625	48Y	103719.00	√	406	A4P17NZ125A	25	115/230	Auto.	5.4	1.00	0.50	11.06	S, MX
1/2	1625	48Y	103720.00	√	406	A4P17NZ126A	25	115/230	Auto.	5.4	1.00	0.63	11.06	S, MX
1/2	1075	48Y	103721.00	√	462	A4P11NZ78A	25	115	Auto.	5.7	1.00	0.50	11.06	S, MX
1/2	1075	48Y	103722.00	√	462	A4P11NZ79A	25	115	Auto.	5.7	1.00	0.63	11.06	S, MX

* Two-speed operation possible by connecting 115V power to 230V connections.
Actual speed (approx. 67% of rated speed) will depend on fan blade design.
D - Item to be discontinued once inventory is depleted

♥ Note listing on inside back flap
Specifications are subject to change without notice



HVAC - Fan Motors

Two-Speed Motors

Three Phase - Variable and Constant Torque

Variable torque motors are typically used on applications such as fans, blowers and centrifugal pumps.

Constant torque motors are typically used on mixers, compressors, conveyors, extractors, feeders and laundry machinery.

Constant horsepower motors are typically used on machine tools such as drills, lathes, punch presses and milling machines.



Features:

- Two-speed, single winding designs
- Totally enclosed fan cooled designs
- Ball bearing designs
- Single voltage designs

Variable Torque - 460 Volt - Three Phase - TEFC - Rigid Base

HP	RPM 60 Hz	NEMA Frame	Catalog Number	Stock	List Price	Model Number	App. Wgt. (lbs)	Voltage	FL. Amps @ 460V	Service Factor	"C" Dim. (Inches)	♥Notes
1 1/4	1800 900	143T	120945.00	C/A	1,163	C143T48FB7	39	460	1.5-0.7	1.00	12.43	S, US
1 1/2 3/8	1800 900	145T	120941.00	√	1,210	C145T48FB60	39	460	2.4-1.0	1.00	12.43	S, US
2 1/2	1800 900	145T	120940.00	C/A	1,411	C145T48FB48	39	460	3.2-1.3	1.00	12.43	S, US
3 3/4	1800 900	184T	131474.00	C/A	1,512	C184T48FB67	80	460	4.0-1.8	1.00	14.46	S, MX
5 1 1/5	1800 900	184T	131475.00	√	1,928	C184T48FB68	98	460	6.5-2.5	1.00	15.96	S, MX
7 1/2 1 7/8	1800 900	215T	140447.00	√	2,718	C215T48FB46	158	460	9.7-3.3	1.00	17.71	S, MX
10 2 1/2	1800 900	215T	140448.00	√	3,203	C215T48FB48	171	460	12.7-4.2	1.00	18.71	S, MX

C/A - Check Availability

♥ Note listing on inside back flap
Specifications are subject to change without notice

Variable Torque - 208-230 Volt - Three Phase - TEFC - Rigid Base

HP	RPM 60 Hz	NEMA Frame	Catalog Number	Stock	List Price	Model Number	App. Wgt. (lbs)	Voltage	FL. Amps @ 230 V	Service Factor	"C" Dim. (Inches)	♥Notes
1 1/4	1800 900	143T	120944.00	C/A	1,163	C143T48FB6	39	208-230	3.0-1.4	1.00	12.43	S, US
1/2 3/8	1800 900	145T	120947.00	C/A	1,215	C145T48FB61	39	208-230	4.8-2.0	1.00	12.43	S, US
2 1/2	1800 900	145T	120946.00	√	1,411	C145T48FB59	38	208-230	6.4-2.6	1.00	12.43	S, US
3 3/4	1800 900	184T	131468.00	√	1,512	C184T48FB61	81	208-230	8.0-3.6	1.00	14.46	S, MX
5 1 1/5	1800 900	184T	131469.00	√	1,928	C184T48FB62	97	208-230	13.0-5.0	1.00	15.96	S, MX
7 1/2 1 7/8	1800 900	215T	140443.00	C/A	2,745	C215T48FB45	157	208-230	19.4-6.6	1.00	17.71	S, MX
10 2 1/2	1800 900	215T	140444.00	C/A	3,203	C215T48FB47	169	208-230	25.4-8.4	1.00	18.71	S, MX

C/A - Check Availability

♥ Note listing on inside back flap
Specifications are subject to change without notice

HVAC – Fan Motors

Fan & Blower Motors - Multi-Speed - Three Phase

Constant Torque - 460 Volt - Three Phase - One Winding - TEFC - Rigid Base

HP	RPM 60 Hz	NEMA Frame	Catalog Number	Stock	List Price	Model Number	App. Wgt. (lbs)	Voltage	FL. Amps @ 460V	Service Factor	"C" Dim. (Inches)	♥Notes
1 1/2	1800 900	143T	120943.00	C/A	1,801	C143T48FB9	39	460	1.4–1.6	1.00	12.93	S, US
2 1	1800 900	184T	131471.00	√	2,121	C184T48FB64	71	460	2.9–2.9	1.00	13.96	S, MX
3 1 1/2	1800 900	184T	131470.00	√	2,407	C184T48FB63	83	460	3.8–3.5	1.00	14.96	S, MX
5 2 1/2	1800 900	215T	140445.00	C/A	3,144	C215T48FB43	148	460	6.7–7.0	1.00	17.71	S, MX

C/A - Check Availability

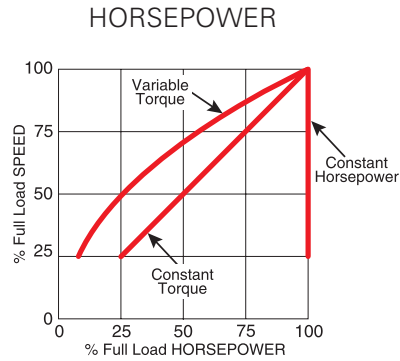
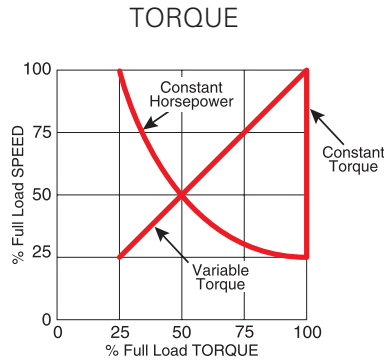
♥ Note listing on inside back flap
Specifications are subject to change without notice

Constant Torque - 208-230 Volt - Three Phase - One Winding - TEFC - Rigid Base

HP	RPM 60 Hz	NEMA Frame	Catalog Number	Stock	List Price	Model Number	App. Wgt. (lbs)	Voltage	FL. Amps @ 230V	Service Factor	"C" Dim. (Inches)	♥Notes
1 1/2	1800 900	143T	120942.00	C/A	1,801	C143T48FB8	40	208-230	3.2–4.2	1.00	12.93	S, US
2 1	1800 900	184T	131473.00	C/A	2,121	C184T48FB66	72	208-230	5.8–5.7	1.00	13.96	S, MX
3 1 1/2	1800 900	184T	131472.00	√	2,407	C184T48FB65	83	208-230	7.6–6.9	1.00	14.96	S, MX
5 2 1/2	1800 900	215T	140446.00	C/A	3,144	C215T48FB44	140	208-230	13.4–14.0	1.00	17.71	S, MX

C/A - Check Availability

♥ Note listing on inside back flap
Specifications are subject to change without notice



HVAC – Fan Motors

PSC - Variable Speed - Single Phase

Features:

- Agricultural fan duty
- Extended thru-bolts
- Totally enclosed air over (TEAO) designs



Single Phase - TEAO - Resilient Base - PSC Type

HP	RPM 60 Hz	NEMA Frame	Catalog Number	Stock	List Price	Model Number	App. Wgt. (lbs)	Voltage	Over- load Prot.	FL Amps @ 230V	Service Factor	"C" Dim. (Inches)	♥Notes
1/4	1625	48Z	LM24445	√	767	SPA4S0.25TZRY1A6027AP11-1	20	115/230	Auto.	1.4	1.00	11.06	S, MX, 16
1/4	1625	48Z	LM24447	C/A	546	SPA4S0.25TZRY1A6027AP10-1	17	115/230	Auto.	1.5	1.00	10.04	S, MX, 16
1/3	1625	48Z	LM24450	√	842	SPA4S0.33TZRY1A6027AP11-1	23	115/230	Auto.	1.8	1.00	11.81	S, MX, 16
1/3	1625	48Z	LM24448	√	603	SPA4S0.33TZRY1A6027AP10-1	17	115/230	Auto.	2.2	1.00	10.04	S, MX, 16
1/3	1075	48Z	LM24443	√	813	SPA6S0.33TZRY1A6027AP10-1	22	115/230	Auto.	2.1	1.00	10.84	S, MX, 16
1/2	1625	48Z	LM24446	√	860	SPA4S0.5TZRY1A6027AP11-1	23	115/230	Auto.	2.7	1.00	11.81	S, MX, 16
1/2	1625	48Z	LM24449	√	722	SPA4S0.5TZRY1A6027AP10-1	21	115/230	Auto.	3.0	1.00	10.84	S, MX, 16
1/2	1075	48Z	LM24444	√	860	SPA6S0.5TZRY1A6027AP10-1	20	115/230	Auto.	3.2	1.00	10.84	S, MX, 16

C/A - Check Availability

♥ Note listing on inside back flap
Specifications are subject to change without notice



Single Phase - TEAO - Rigid Base - PSC Type

HP	RPM 60 Hz	NEMA Frame	Catalog Number	Stock	List Price	Model Number	App. Wgt. (lbs)	Voltage	Over- load Prot.	FL Amps @ 230V	Service Factor	"C" Dim. (Inches)	♥Notes
1/4	1750	48Y	101252.00	√	420	A4P17NB27	19	115/208-230	Auto.	1.5	1.00	10.40	S, MX, 50
1/4	1625	48Y	100699.00	√	420	A4P17NB7	19	115/230	Auto.	1.4	1.00	10.65	S, MX
1/4	1075	48Y	A099260.00	√	438	A4P11NB52	21	115/230	Auto.	1.5	1.00	10.65	S, MX
1/3	1750	48Y	101253.00	√	477	A4P17NB28	22	115/208-230	Auto.	1.9	1.00	10.65	S, MX, 50
1/3	1625	48Y	100700.00	√	477	A4P17NB8	22	115/230	Auto.	1.6	1.00	10.65	S, MX
1/3	1625	56Y	111202.00	C/A	550	A6P17NZ1	24	115/230	Auto.	1.7	1.00	12.05	S, US, 58
1/3	1140	S56Y	100604.00	√	517	A4P11NH1	23	115/208-230	Auto.	1.8	1.00	11.40	S, MX
1/3	1075	48Y	A099261.00	√	556	A4P11NB53	21	115/230	Auto.	1.8	1.00	10.90	S, MX
1/2	1750	S56Y	101176.00	√	524	A4K17NH2	26	115/230	Auto.	3.5	1.00	10.40	S, MX, 50, 54
1/2	1750	48Y	100701.00	√	511	A4P17NB9	29	115/230	Auto.	2.5	1.00	12.15	S, MX
1/2	1075	48Y	A099946.00	√	536	A4P11NB54	26	115/230	Auto.	2.5	1.00	11.90	S, MX
3/4	1075	56HZ	A099847.00	√	765	A6P11NB5	35	115/230	Auto.	3.7	1.00	12.19	S, MX

C/A - Check Availability

♥ Note listing on inside back flap
Specifications are subject to change without notice



HVAC - Fan Motors

Grain Dryer / Centrifugal Fan Motors

Used in ag fan and blower applications. Screens used to protect against entry of pests and and silage.

Features:

- NEMA® Premium and EPAAct efficiency
- Rodent screens
- Re-greasable bearings
- Cast Iron construction
- 1.25 service factor
- Class F insulation
- Inverter duty insulation system
- UL recognized and CSA certified
- TZ shafts are 1 inch longer than NEMA



Three Phase - Open Drip Proof - Rigid Base

HP	RPM 60 Hz	NEMA Frame	Catalog Number	Stock	List Price	Model Number	App. Wgt. (lbs)	Voltage	FL. Amps @ 230V	% FL. EFF.	"C" Dim. (Inches)	♥Notes
10	1800	215TZ	171861.60	√	1,942	C215T17DB69	220	230/460	25.6	91.7	17.90	C, CN
15	1800	254T	170540.60	D	2,614	C254T17DB45	279	230/460	37.0	93.0	20.94	C, CN
15	1800	254TZ	171862.60	√	2,614	C254T17DB48	279	230/460	37.0	93.0	21.88	C, CN
20	1800	256T	170541.60	D	3,187	C256T17DB10	324	230/460	51.0	93.0	22.60	C, CN
20	1800	256TZ	171863.60	√	3,187	C256T17DB15	324	230/460	51.0	93.0	23.62	C, CN
25	1800	284TZ	171864.60	√	4,199	C284T17DB15	404	230/460	59.5	93.6	24.92	C, CN
30	1800	286T	170542.60	D	4,291	C286T17DB13	471	230/460	71.0	94.1	25.00	C, CN
30	1800	286TZ	171865.60	√	4,291	C286T17DB16	471	230/460	71.0	94.1	26.57	C, CN

Shaded model numbers are cast iron frame

Green items are Premium Efficient

D - Item to be discontinued once inventory is depleted

♥ Note listing on inside back flap
Specifications are subject to change without notice



HVAC – Fan Motors

Crop Dryer Motors

Features:

- Open air over, fan-on-shaft design
- Continuous duty
- Thermostats provide overload protection
- Extra nameplate provided for remote mount
- Keyed shaft with 1/4-20 UNC tapped hole in end
- Grey epoxy painted
- Rodent screen protection
- Capacitors shipped loose with 215TZ frame motors



Single Phase - Rigid Base - Open Air Over

HP	RPM 60 Hz	NEMA Frame	Catalog Number	Stock	List Price	Model Number	App. Wgt. (lbs)	Voltage	Over- load Prot.	F.L. Amps @ 230V	Service Factor	"C" Dim. (Inches)	♥Notes
3 - 4 1/2	3600	145TZ	LM24778	√	1,467	SSD2S3-4.5TZ1B66QS10-1	46	230	Auto	12.5-19.1	1.50	13.74	S, MX
5 - 7	3600	182TZ	131847.00	√	1,723	C182C34DB2	91	230	T-Stat	26.8-35.3	1.00	16.44	S, MX
7 1/2-10	3600	182TZ	131848.00	√	1,915	C182K34DB4	98	230	T-Stat	31-42	1.00	16.44	S, MX
7 - 10	3600	184TZ	LM24780	√	2,399	SSD2S7-10TZ1B66QS11-1	102	230	T-Stat	31-47	1.40	15.94	S, MX
7- 9	3600	184TZ	LM24781	C/A	1,943	SSD2S7-9TZ1C66QSS11-1	88	230	T-Stat	36-45	1.30	15.50	S, MX
10 - 15	3600	215TZ	140640.00	√	2,943	C215K34DB2	159	230	T-Stat	39.5-61.5	1.00	20.42	S, MX
10 - 15	3600	215TZ	LM24782	√	3,047	SS215D2S10-15TZ1C66QS11-1	135	230	T-Stat	46-71	1.50	18.16	S, MX
10 - 15	3600	215TZ	141084.00	√	2,943	C215K34DB3	159	230	T-Stat	40-59	1.00	20.08	S, MX, 52

Note 52 - Extra High Starting Torque

♥ Note listing on inside back flap
Specifications are subject to change without notice

Three Phase - Rigid Base - Open Air Over

HP	RPM 60 Hz	NEMA Frame	Catalog Number	Stock	List Price	Model Number	App. Wgt. (lbs)	Voltage	Over- load Prot.	F.L. Amps @ 230V	Service Factor	"C" Dim. (Inches)	♥Notes
5-7 1/2	3600	184TZ	131849.00	√	1,395	C184T34DB8	73	208-230/460	T-Stat	12.5-19.0	1.00	13.94	S, MX
7 1/2-10	3600	184TZ	131850.00	√	1,629	C184T34DB9	88	208-230/460	T-Stat	17.5-23.4	1.00	15.44	S, MX
10 - 15	3600	215TZ	140641.00	√	1,963	C215T34DB3	114	208-220/440	T-Stat	26-40	1.50	17.41	S, MX

♥ Note listing on inside back flap
Specifications are subject to change without notice

HVAC - Fan Motors

Hatchery and Incubator Fan Motors

Features:

- Automatic overload protected
- 15MFD, 370V capacitor shipped loose with motor
- 101341.00 is a permanent split capacitor motor
- Motor 114102.00 is a split phase two-speed motor
- Double shielded ball bearings



Single Phase - TEAO

HP	RPM 60 Hz	NEMA Frame	Catalog Number	Stock	List Price	Model Number	App. Wgt. (lbs)	Voltage	Over-load Prot.	F.L. Amps @ 230V	Service Factor	"C" Dim. (Inches)	♥Notes
1/4	1800	48Y	101341.00	√	540	A4P17NZ24	17	115/230	Auto.	1.40	1.00	8.93	S, MX, 16, 34
1/3	1800	48Z	103878.00	√	584	L4P17NZ149	20	115/230	Auto.	1.65	1.00	9.93	S, MX, 16, 34
1/2-1/5	1800/1200	56H	114102.00	√	704	A6S46NR4	36	115	Auto.	9.3-5.6*	1.25	12.32	S, US

♥ Note listing on inside back flap
Specifications are subject to change without notice

Variable Speed - High Performance AG Fan Motors

Features:

- Water-tight connection end compartment
- Locked double sealed ball bearings
- All angle mounting
- Shaft seal on output shaft end
- Automatic overload protection



Single Phase - PSC Type - TEAO - Rigid Base - Extended Thru-Bolts

HP	RPM 60 Hz	NEMA Frame	Catalog Number	Stock	List Price	Model Number	App. Wgt. (lbs)	Voltage	Over-load Prot.	F.L. Amps @ 230V	Service Factor	"C" Dim. (Inches)	♥Notes
1/4	1625	48Y	A099899.00	√	415	A4P17NZ139	19	115/230	Auto.	1.4	1.00	10.64	S, MX
1/4	1060	48Y	A099460.00	√	488	A4P11NB5	23	115/230	Auto.	1.5	1.00	11.14	S, MX
1/3	1625	48Y	A099900.00	√	443	A4P17NZ141	20	115/230	Auto.	1.7	1.00	10.89	S, MX
1/3	1060	48Y	A099461.00	√	480	A4P17NZ86	23	115/230	Auto.	1.8	1.00	11.14	S, MX
1/2	1625	48Y	A099901.00	√	492	A4P17NZ142	23	115/230	Auto.	2.6	1.00	10.89	S, MX
1/2	1060	48Y	A099462.00	√	524	A4P11NZ85	26	115/230	Auto.	2.8	1.00	10.89	S, MX

♥ Note listing on inside back flap
Specifications are subject to change without notice



Pump Motors

Washguard Motors

Agricultural Duty Motors

HVAC / Fan Motors

Special Voltage Motors

Definite Purpose Motors

Brake Motors

IEC Motors

DC Motors

HVAC – Fan Motors

Agricultural Fan Motors - Belt Drive - TEAO



Features:

- Capacitor start/capacitor run designs for high efficiency
- Mount in airstream for proper cooling
- Combination 56/140 frame stamped steel base

High Efficiency - Single Phase - TEAO - Rigid Base

HP	RPM 60 Hz	NEMA Frame	Catalog Number	Stock	List Price	Model Number	App. Wgt. (lbs)	Voltage	Over- load Prot.	FL. Amps @ 230V	Service Factor	"C" Dim. (Inches)	♥Notes
1/2	1725	56	A009580.00	√	603	A6K17NB30	27	115/230	—	2.3	1.15	11.44	S, MX
3/4	1725	56H	A009581.00	√	639	A6K17NB29	30	115/230	Auto.	3.0	1.00	10.94	S, MX
1	1725	56H	A009782.00	√	663	A6K17NB33	37	115/230	Auto.	4.0	1.00	12.44	S, MX
1 1/2	1725	56H	A009594.00	√	791	A6K17NB32	39	115/230	Auto.	5.8	1.00	11.94	S, MX
2	1725	145T	A009595.00	√	877	U145K17NB2	50	230	Auto.	9.2	1.00	13.49	S, MX

♥ Note listing on inside back flap
Specifications are subject to change without notice

Agriculture Fan

115/230 Volts - Belt Drive - Overload Protection



Single Phase - Rigid Base

HP	RPM 60 Hz	NEMA Frame	Catalog Number	Stock	List Price	Model Number	App. Wgt. (lbs)	Voltage	Over- load Prot.	FL. Amps @ 230V	Service Factor	"C" Dim. (Inches)	♥Notes
1/2	1725	56Z	LM24776	√	847	SRN4S0.5TZ1B6027TP2-1	23	115/230	Auto	2.2	1.00	10.47	S, MX, 12, 53
1	1725	56Z	LM24777	√	1,133	SRA4S1TZ1B6027TP2-1	32	115/230	Auto	4.7	1.00	11.44	S, MX, 53

LM24777 is TEAO Design

♥ Note listing on inside back flap
Specifications are subject to change without notice

HVAC - Fan Motors

Lincoln Motors™ Agriculture Fan Motors™

Direct Drive Thru-Bolt Mount



Features:

- Extended thru-bolts
- 48Y - 1/2" dia., 1-1/2 long shaft with flat
- 48YZ - 1/2" dia., 2-1/2" long shaft with two flats

Single Speed - Single Phase - TEAO - Thru-Bolt Mount

HP	RPM 60 Hz	NEMA Frame	Catalog Number	Stock	List Price	Model Number	App. Wgt. (lbs)	Voltage	Over- load Prot.	F.L. Amps @ 115V	Service Factor	"C" Dim. (Inches)	♥Notes
1/4	1725	48Y	LM24488	√	515	SPN4S0.25TZNY1S6001TP1-1	10	115	Auto	4.0	1.00	7.62	S, MX

♥ Note listing on inside back flap
Specifications are subject to change without notice

Two Speed - Single Phase - TEAO - Thru-Bolt Mount

HP	RPM 60 Hz	NEMA Frame	Catalog Number	Stock	List Price	Model Number	App. Wgt. (lbs)	Voltage	Over- load Prot.	F.L. Amps @ 115V	Service Factor	"C" Dim. (Inches)	♥Notes
1/4	1725	48YZ	LM24492	√	537	"SPA4/6/1S0.25/0.25TZNY1S 6001TP2-1"	17	115	Auto	3.7	1.00	11.09	S, MX
1/3	1725	48YZ	LM24491	√	605	"SPA4/6/1S0.33/0.33TZNY1S 6001TP2-1"	18	115	Auto	5.3	1.00	11.34	S, MX

♥ Note listing on inside back flap
Specifications are subject to change without notice

HVAC – Fan Motors

Lincoln Motors™ Agriculture Fan Motors

Features:

- Single phase - 115 & 230 Volts
- Extended thru-bolts on 48Z frame motors
- 48Z - 1/2 dia. shaft, 2-1/2 long with two flats
- 56Z - 1/2 dia. shaft, 2-1/2" long shaft with keyway
- Includes 5/8" shaft adaptor sleeve with key



Single Phase - PSC Type - TEAO - Resilient Base

HP	RPM 60 Hz	NEMA Frame	Catalog Number	Stock	List Price	Model Number	App. Wgt. (lbs)	Voltage	Over- load Prot.	FL. Amps @ 230V	Service Factor	"C" Dim. (Inches)	♥Notes
1/4	1725	48Z	LM24487	C/A	537	SPA4S0.25TZRY1S6001TP2-1	17	115	Auto	3.5	1.00	17.32	S, MX
1/3	1725	48Z	LM24486	√	657	SPA4S0.33TZRY1S6001TP2-1	21	115	Auto	4.2	1.00	17.32	S, MX
1/2	1725	56Z	LM24809	C/A	816	SRA4S0.5TZR1S6027TP2-1	25	115/230	Auto	6.6	1.00	11.34	S, MX

C/A - Check Availability

♥ Note listing on inside back flap
Specifications are subject to change without notice

Aeration Fan, HVAC

115 & 230 Volts - Single Phase

Features:

- Automatic overload protected
- Sealed bearings
- 18" extended leads
- Shaft has keyway and 1/4-20 UNC tapped hole on end of shaft



Single Phase - TEAO - Rigid Base

HP	RPM 60 Hz	NEMA Frame	Catalog Number	Stock	List Price	Model Number	App. Wgt. (lbs)	Voltage	Over- load Prot.	FL. Amps @ 230V	Service Factor	"C" Dim. (Inches)	♥Notes
1	3600	56Z	LM24786	√	654	SRA2S1TZ1C6027L10MB6TP2-1	29	115/230	Auto	5.6	1.15	10.94	S, MX
1 1/2	3600	143TZ	LM24787	√	743	SSA2S1.5TZ1C6027L10MB6TP2-1	35	115/230	Auto	8.4	1.00	11.49	S, MX
3	3600	145TZ	LM24788	√	915	SS145A2S3TZ1B66L10MB6TP2-1	52	230	Auto	11.8	1.00	13.49	S, MX

♥ Note listing on inside back flap
Specifications are subject to change without notice

HVAC - Fan Motors

TEAO Cooling Tower Single Speed Motors



Applications:

Cooling towers, fan and blowers, and other severe duty environments where long life and high efficiency are desired.

Features:

- Complete cast iron construction for rigidity and reduced vibration
- Epoxy painted
- Severe duty treatment of internal parts
- Class F insulation
- F-1/F-2 capable
- Re-greaseable bearings
- Brass T-drain installed - both ends at 6:00
- Inpro® shaft seal protected
- Shaft grounding ring (SGRs) installed
- Inverter rated IRIS® insulation system
- 10:1 constant and variable torque rated
- Extra nameplate with CE for external mounting
- Designed for shaft up mounting
- 1.15 S.F. under sine wave power



Three Phase - TEAO - Rigid Base

HP	RPM 60 Hz	NEMA Frame	Catalog Number	Stock	List Price	Model Number	App. Wgt. (lbs)	Voltage	FL Amps @ 230V	% FL EFF.	"C" Dim. (Inches)	Notes
3	1800	182T	824528.00	✓	1,875	182TTTN16569	123	230/460	8.0	90.2	13.82	C, US
3	1200	213T	824554.00	✓	2,460	213TTTN16585	213	230/460	8.8	89.5	17.47	C, US
5	1800	184T	824529.00	✓	1,998	184TTTN16542	155	230/460	12.4	90.2	15.82	C, US
5	1200	215T	824555.00	✓	2,474	215TTTN16580	220	230/460	13.8	89.5	17.47	C, US
7.5	1800	213T	824530.00	✓	2,570	213TTTN16536	225	230/460	19.2	91.7	17.47	C, US
7.5	1200	254T	824556.00	✓	3,915	254TTTNA16580	332	230/460	19.8	91.0	24.32	C, US
10	1800	215T	824531.00	✓	2,692	215TTTN16537	300	230/460	25.0	91.7	20.47	C, US
10	1200	256T	824557.00	✓	4,161	256TTTNA16577	360	230/460	26.2	91.0	24.31	C, US
15	1800	254T	824532.00	✓	3,499	254TTTNA14533	340	230/460	39.0	91.0	24.32	C, US
15	1200	284T	824558.00	✓	4,502	284TTTNA16578	439	230/460	41.0	91.7	26.97	C, US
20	1800	256T	824533.00	✓	3,698	256TTTNA14533	400	230/460	50.0	91.0	24.31	C, US
20	1200	286T	824559.00	✓	4,977	286TTTNA16576	470	230/460	53.5	91.7	26.97	C, US
25	1800	284T	824534.00	✓	4,397	284TTTNA14536	402	230/460	63.0	92.4	26.97	C, US
25	1200	324T	824560.00	✓	6,931	324TTTS16579	582	230/460	65.0	93.0	26.14	C, US
30	1800	286T	824535.00	✓	5,128	286TTTNA14531	400	230/460	74.0	92.4	26.19	C, US
30	1200	326T	824561.00	✓	6,951	326TTTS16578	629	230/460	77.0	93.0	27.64	C, US
40	1800	324T	824536.00	✓	6,647	324TTTNA14532	550	230/460	100.0	93.0	28.10	C, US
40	1200	364T	824562.00	✓	11,781	364TTTS16576	854	230/460	100.0	94.1	29.01	C, US
50	1800	326T	824537.00	✓	8,370	326TTTNA14532	600	230/460	122.0	93.0	29.60	C, US
50	1200	365T	824563.00	✓	12,136	365TTTS16578	920	230/460	123.0	94.5	30.01	C, US
60	1800	364T	824538.00	✓	11,715	364TTTS14531	850	230/460	144.0	93.6	29.01	C, US
60	1200	404T	824564.00	✓	15,727	404TTTS16576	1064	230/460	144.0	94.5	34.38	C, US
75	1800	365T	824539.00	✓	14,583	365TTTS14533	1000	230/460	172.0	94.1	30.01	C, US
75	1200	405T	824565.00	✓	16,542	405TTTS16578	1180	230/460	179.0	95.0	34.38	C, US
100	1800	405T	824540.00	✓	18,059	405TTTS14531	1250	230/460	228.0	94.5	34.25	C, US
100	1200	444T	824566.00	✓	24,147	444TTTN16578	1780	230/460	240.0	95.4	40.13	C, US
125	1800	444T	824541.00	✓	23,249	444TTTN14531	1990	460	143*	94.5	40.03	C, US
125	1200	445T	824567.00	✓	26,844	445TTTN16579	1964	460	148*	95.4	40.05	C, US
150	1800	445T	824542.00	✓	27,683	445TTTN14532	1879	460	172*	95.0	40.13	C, US
150	1200	445T	824568.00	✓	30,359	445TTTN16578	2102	460	181*	95.8	40.13	C, US
200	1800	445T	824543.00	C/A	33,044	445TTTN14533	2556	460	225*	95.0	40.13	C, US
200	1200	449T	824569.00	C/A	38,585	449TTTS16577	2409	460	240*	95.8	48.62	C, US
250	1800	449T	824544.00	C/A	31,932	449TTTS14531	2409	460	290*	95.0	48.62	C, US
250	1200	449T	824570.00	C/A	42,743	449TTTS16576	2409	460	300*	95.8	48.62	C, US

C/A - Check Availability

* - Amps at 460 Volts

Note: Shaded model numbers are cast iron frame

♥ Note listing on inside back flap
Specifications are subject to change without notice



Kiln Duty Motors

TEAO - Severe Duty



Applications:

Fans found in kilns and other high ambient temperature environments where long life and high efficiency are desired. These TEAO motors must be mounted within the airstream for proper cooling. Suitable for use on variable frequency drives.

Features:

- Cast iron construction for rigidity and reduced vibration
- Internal and external epoxy paint
- IRIS® Inverter duty insulation system
- Class H insulation system
- Normally closed thermostats (one per phase, Class H)
- Heat stabilized ball bearings and high temperature grease
- Suitable for inverter use for 20:1 variable torque with 1.0 S.F. in 90°C ambient
- Suitable for 90°C ambient at 1.15 S.F. or 100°C ambient at 1.0 S.F.
- Extended grease tubes, regreasable in service
- 8 foot leads
- UL Recognized and CSA certified

Three Phase - TEAO - Rigid Base

HP	RPM 60 Hz	NEMA Frame	Catalog Number	Stock	List Price	Model Number	App. Wgt. (lbs)	Voltage	FL. Amps @ 230V	% FL. EFF.	"C" Dim. (Inches)	♥Notes
2	1800	145T	824573.00	C/A	2,356	145TTTN16635	68	460	2.8	85.5	11.43	C, US
2	1200	184T	824574.00	√	3,259	184TTTS18577	129	460	3.0	87.5	13.74	C, US
3	1800	182T	824575.00	√	3,187	182TTTS18532	132	460	3.9	90.2	13.74	C, US
3	1200	213T	824576.00	√	3,461	213TTTS17077	194	460	4.4	89.5	17.51	C, US
5	1200	215T	824577.00	√	3,985	215TTTS17077	195	460	6.9	89.5	17.51	C, US
7 1/2	1200	254T	824578.00	√	4,887	254TTTNA17078	311	460	9.8	90.2	20.61	C, US
10	1200	256T	824579.00	√	5,604	256TTTNA16579	355	460	12.8	91.0	22.35	C, US
10	900	284T	824580.00	√	5,810	284TTTNA17103	433	460	15.2	88.5	23.42	C, US
15	1800	254T	824581.00	√	4,613	254TTTNA16546	325	460	18.2	92.4	20.61	C, US
15	1200	284T	824582.00	√	6,712	284TTTNA16580	433	460	20.5	91.7	23.42	C, US
20	1200	286T	824583.00	√	7,351	286TTTNA16577	478	460	27.0	91.7	24.92	C, US
20	900	324T	824584.00	C/A	8,982	324TTTS16604	620	460	29.5	90.2	27.77	C, US
25	1200	324T	824585.00	C/A	9,234	324TTTS16580	675	460	32.5	93.0	27.77	C, US
30	1200	326T	824586.00	C/A	9,778	326TTTS16580	725	460	38.5	93.0	27.77	C, US

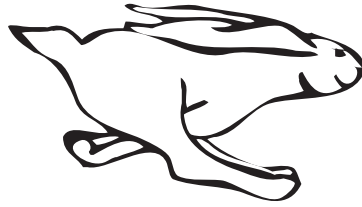
Shaded model numbers are cast iron frame

♥ Note listing on inside back flap
Specifications are subject to change without notice

C/A - Check Availability



Custom Multi-Speed Low-Speed and Modified Motor Program



CustomPDQ | Think Fast CUSTOM DESIGNED MOTORS

PDQ Modular Production Program

Custom Multi-Speed, Low Speed and Modified Motors, one or several at a time, on a quick turnaround basis.

The LEESON's® brand "Modular Production" utilizes specially designed and standard components to make almost any imaginable NEMA® frame multi-speed or low-speed motor available when you need it.

Quick Turnaround Custom PDQ can provide quick answers to inquiries and fast turnaround for orders of highly customized motors.

Comprehensive Catalog - Features the Industry's most extensive two-speed and low speed motor selection as well as a listing of commonly requested modifications.

Full Fact Acknowledgement - With Custom PDQ all custom motors are promptly and fully acknowledged upon receipt of order. The acknowledgement includes the complete motor specification pricing and shipping date.

Motors of 254T frame and larger are of cast iron construction with all the rugged features of LEESON's stock single-speed motors described on pages 38 & 39 of this catalog. All two-speed designs are class F insulated and have a 1.15 S.F.



Whether for the everyday or not-so-everyday needs, Custom PDQ gives you the ability to say "Yes" to requests for customized motors.

Multi-speed

Two, three and four-speed motors

Low Speed

900, 720, 600, 450 and 300 rpm

Modified as per Catalog 1057 - Some examples are:

- Anti-condensation heaters
- Brakemotors, custom
- Cooling tower specifications
- Downsized frames
- Epoxy and fungus proofing
- 50 Hz
- Premium-efficiency, North American manufacture
- Insulation, special
- Marine duty (below deck)
- Part winding (low and high voltages)
- Shafts, modified
- Thermostats
- Thermistors
- Washdown service
- IEEE841 conversion of WATSAVER® motors
- Voltages (non-standard)

...and many more

Pump Motors

Washguard Motors

Agricultural Duty Motors

HVAC / Fan Motors

Special Voltage Motors

Definite Purpose Motors

Brake Motors

IEC Motors

DC Motors



Special Voltage Motors

**General Purpose – Totally Enclosed & Drip-Proof - 575 Volt - 200/400 Volt
50 HZ - Medium Voltage Designs**

Steel Frame – Aluminum Frame – Cast Iron Frame



- Inverter rated
- Class B insulation systems – 42, 48 and 56 frames
- Class F insulation system – 140 frame and higher
- Shielded ball bearings for direct coupled applications.
(Contact your local sales office for belted load applications)
- Rolled steel, aluminum, and cast iron frame material designs
- Continuous duty
- Dynamically balanced rotors
- Torques exceed NEMA® performance standards
- UL recognized and CSA certified

Applications:

For use where special voltages are required. Ideally suited for use on pumps, compressors, fans, blowers, conveyors, machine tools and other industrial applications



Special Voltage Motors

575 Volt - Three Phase - TEFC



Three Phase - TEFC - Rigid Base

HP	RPM 60 Hz	NEMA Frame	Catalog Number	Stock	List Price	Model Number	App. Wgt. (lbs)	Voltage	FL. Amps @ 575V	% FL. Eff.	Service Factor	"C" Dim. (Inches)	♥Notes
1/2	3600	56	110714.00	✓	496	C6T34NB6	25	575	0.6	82.5	1.15	10.40	S, US, 12
1/2	1800	56	110199.00	✓	540	C6T17NB4	25	575	0.8	78.5	1.15	9.90	S, US, 12
1/2	1800	56	LM24154	✓	564	SRF4S.5T65	22	575	0.9	70.0	1.25	10.72	S, MX
1/2	1800	S56	101051.00	✓	540	C4T17FH3	24	575	0.8	68.0	1.15	9.94	S, MX
1/2	1200	56	LM24295	C/A	886	SRF6S0.5T65	24	575	1.1	68.0	1.15	11.82	S, MX
3/4	3600	56	110354.00	✓	592	C6T34FB8	25	575	1.0	75.5	1.15	10.48	S, US
3/4	1800	56	110178.00	✓	574	C6T17FB3	25	575	1.1	77.0	1.15	10.48	S, US
3/4	1200	56	111394.00	✓	818	C6T11FB8	33	575	1.2	75.5	1.15	11.48	S, US
1	3600	56	110715.00	✓	639	C6T34FB15	27	575	1.3	77.0	1.15	10.48	S, US
1	1800	56	119539.00	✓	889	C6T17FB184	38	575	1.3	85.5	1.15	12.23	S, MX
1	1800	143T	121937.00	✓	918	C143T17FB29	39	575	1.3	85.5	1.15	12.93	S, US
1	1200	145T	121938.00	✓	1,087	C145T11FB31	47	575	1.5	82.5	1.25	13.43	S, US
1 1/2	3600	145T	121939.00	✓	1,020	C145T34FB41	37	575	1.6	84.0	1.25	12.93	S, US
1 1/2	1800	56	119540.00	✓	935	C6T17FB185	42	575	1.9	86.5	1.15	12.98	S, US
1 1/2	1800	145T	121940.00	✓	953	C145T17FB90	42	575	1.9	86.5	1.15	13.43	S, US
1 1/2	1200	182T	132251.00	✓	1,584	C182T11FB13	78	575	2.4	87.5	1.15	14.46	S, MX
2	3600	145T	121941.00	✓	1,116	C145T34FB42	45	575	1.9	85.5	1.25	13.43	S, US
2	1800	145T	121942.00	✓	992	C145T17FB91	48	575	2.3	86.5	1.25	14.43	S, US
2	1200	184T	132252.00	✓	1,614	C184T11FB26	92	575	2.6	88.5	1.15	14.96	S, MX
3	3600	182T	171624.60	✓	1,467	C182T34FB7	93	575	3.0	87.5	1.15	16.14	C, CN, T
3	3600	182T	LM33601	C/A	1,174	AF2B3T65AP26	83	575	3.1	86.5	1.25	14.96	A, MX
3	1800	182T	132253.00	✓	1,124	C182T17FB52	80	575	3.2	89.5	1.15	13.96	S, MX
3	1800	182T	LM33603	C/A	1,185	AF4B3T65AP26	83	575	3.1	89.5	1.25	14.19	A, MX
5	3600	184T	132254.00	✓	1,274	C184T34FB24	88	575	4.8	88.5	1.15	14.96	S, MX
5	1800	184T	132255.00	✓	1,235	C184T17FB64	94	575	5.0	89.5	1.15	14.96	S, MX
5	1800	184T	LM34215	✓	1,372	AF4B5T65AP26	95	575	5.1	89.5	1.00	14.96	A, MX
5	1200	215T	LM34214	✓	2,248	AF6B5T65	159	575	5.5	89.5	1.00	18.84	A, US
5	900	254T	LM34117	C/A	3,311	AF8B5T65	165	575	6.0	86.5	1.15	23.51	A, US
7 1/2	3600	213T	170196.60	✓	1,872	C213T34FB43	156	575	7.4	89.5	1.15	18.19	C, CN, T
7 1/2	1800	213T	141291.00	✓	1,586	C213T17FB24	144	575	7.7	91.7	1.15	18.73	S, MX
7 1/2	1800	213T	LM16391	D	1,757	AF4P75T65	160	575	8.0	89.5	1.25	19.70	A, US
7 1/2	1800	213T	LM34216	✓	2,160	AF4B75T65	162	575	7.7	91.7	1.00	18.84	A, US
10	3600	215T	170197.60	✓	2,217	C215T34FB48	184	575	9.2	91.0	1.15	19.61	C, CN, T
10	1800	215T	170212.60	✓	2,153	C215T17FB44	180	575	10.0	91.7	1.15	19.61	C, CN, T
10	1800	215T	LM34217	✓	2,290	AF4B10T65	165	575	10.7	91.7	1.00	18.84	A, US

Shaded model numbers are cast iron frame

Continued To Next Page

Green items are Premium Efficient

D - Item to be discontinued once inventory is depleted

C/A - Check Availability

Note 12 - TENV

Note T - N/C T-Stats

♥ Note listing on inside back flap
Specifications are subject to change without notice



Pump
Motors

Washguard
Motors

Agricultural
Duty Motors

HVAC / Fan
Motors

Special Voltage
Motors

Definite
Purpose Motors

Brake Motors

IEC Motors

DC Motors

Special Voltage Motors

575 Volt - Three Phase - TEFC

Three Phase - TEFC - Rigid Base

HP	RPM 60 Hz	NEMA Frame	Catalog Number	Stock	List Price	Model Number	App. Wgt. (lbs)	Voltage	F.L. Amps @ 575V	% F.L. Eff.	Service Factor	"C" Dim. (Inches)	♥Notes
15	3600	254T	170198.60	√	3,012	C254T34FB5	292	575	14.0	91.7	1.15	23.19	C, CN, T
15	1800	254T	170116.60	√	3,441	C254T17FB11	290	575	14.5	92.4	1.15	23.19	C, CN, T
15	1800	254T	LM17076	C/A	3,524	AF4B15T65	240	575	15.1	92.4	1.25	23.40	A, US
20	3600	256T	170199.60	√	3,885	C256T34FB11	326	575	18.4	92.4	1.15	24.92	C, CN, T
20	1800	256T	170117.60	√	3,846	C256T17FB5	332	575	19.0	93.0	1.15	24.92	C, CN, T
20	1800	256T	LM17079	C/A	3,462	AF4B20T65	275	575	19.3	93.0	1.25	25.15	A, US
25	3600	284TS	170224.60	√	5,052	C284T34FB6	393	575	22.6	92.4	1.15	24.88	C, CN, T
25	1800	284T	170118.60	√	4,770	C284T17FB6	395	575	23.6	93.6	1.15	26.26	C, CN, T
30	3600	286TS	170228.60	√	5,963	C286T34FB6	423	575	27.0	93.0	1.15	24.88	C, CN, T
30	1800	286T	170119.60	√	5,268	C286T17FB6	442	575	28.0	94.1	1.15	27.83	C, CN, T
30	1800	286T	LM20086	C/A	5,391	AF4B30T65Y	408	575	30.0	93.6	1.25	27.88	A, US
40	3600	324TS	170232.60	√	7,436	C324T34FB4	514	575	35.8	93.0	1.15	28.03	C, CN, T
40	1800	324T	170120.60	√	6,998	C324T17FB6	538	575	36.8	94.1	1.15	29.53	C, CN, T
40	1800	324T	LM14408	C/A	11,711	SF4B40T65Y	504	575	40.5	94.1	1.15	28.50	S, US
50	3600	326TS	LM14410	C/A	9,291	SF2B50TS65Y	558	575	45.0	93.0	1.15		S, US
50	1800	326T	170121.60	√	8,451	C326T17FB8	597	575	46.0	94.1	1.15	31.02	C, CN, T
50	1800	326T	LM14411	C/A	11,962	SF4B50T65Y	558	575	51.0	94.5	1.25	30.00	S, US
60	3600	364TS	LM18370	C/A	11,522	SF2B60TS65Y	765	575	53.0	95.0	1.25	29.77	S, US
60	1800	364T	170239.60	√	12,019	C364T17FB7	676	575	54.8	93.6	1.15	32.64	C, CN, T
60	1800	364T	LM18369	C/A	14,265	SF4B60T65Y		575	58.0	95.0	1.25	31.90	S, US
75	3600	365TS	LM18376	C/A	16,820	SF2B75TS65Y	822	575	65.5	95.0	1.25	30.77	S, US
75	1800	365T	170244.60	√	15,826	C365T17FB5	753	575	68.0	94.1	1.15	33.62	C, CN, T
75	1800	365T	LM18375	C/A	16,188	SF4B75T65Y	822	575	71.0	95.4	1.25	32.90	S, US
100	3600	405TS	LM18290	C/A	20,287	SF2B100TS65Y	1,002	575	85.0	94.1	1.15	35.40	S, US
100	1800	405T	170253.60	√	18,652	C405T17FB5	1,090	575	90.5	95.4	1.15	37.91	C, CN, T
100	1800	405T	LM18307	C/A	19,555	SF4B100T65Y	1,002	575	94.5	95.4	1.15	38.40	S, US
100	1200	444T	LM15121	C/A	28,265	SF6B100T65Y	1,401	575	109.0	95.0	1.15	41.58	S, US
125	3600	444TS	LM15119	C/A	30,306	SF2B125TS65Y	1,351	575	106.0	95.0	1.15	37.49	S, US
125	1800	444T	LM15120	C/A	26,141	SF4B125T65Y	1,351	575	117.0	96.2	1.15	41.58	S, US
150	3600	445TS	LM34432	C/A	28,849	SF2B150TS65Y	1,351	575	134.0	95.8	1.15	—	S, US
150	1800	445T	LM15126	C/A	32,863	SF4B150T65Y	1,531	575	134.0	96.2	1.15	43.56	S, US
200	3600	445TS	LM15122	C/A	40,232	SF2B200TS65Y	1,531	575	170.0	95.8	1.15	—	S, US
200	1800	445T	LM15123	C/A	39,561	SF4B200T65Y	1,531	575	182.0	96.2	1.15	43.58	S, US
250	3600	447TS	LM34340	C/A	47,363	SF2B250TS65Y	1,812	575	211.0	95.8	1.00	—	S, US
250	1800	447T	LM15130	C/A	39,344	SF4B250T65Y	1,812	575	226.0	95.4	1.15	47.08	S, US
300	3600	449TS	LM15138	C/A	71,489	S449F2B300TS65Y	2,185	575	251.0	95.8	1.15	—	S, US
300	1800	449T	LM15129	C/A	51,683	SF4B300T65Y	1,812	575	270.0	96.2	1.15	47.08	S, US

Shaded model numbers are cast iron frame

♥ Note listing on inside back flap
Specifications are subject to change without notice

Green items are Premium Efficient

C/A - Check Availability
Note T - N/C T-Stats



Special Voltage Motors

575 Volt - TEFC - C Face Less Base

Three Phase - TEFC/TENV - C Face Less Base

HP	RPM 60 Hz	NEMA Frame	Catalog Number	Stock	List Price	Model Number	App. Wgt. (lbs)	Voltage	FL. Amps @ 575V	% F.L. Eff.	Service Factor	"C" Dim. (Inches)	♥Notes
1/2	1800	56C	110176.00	√	574	C6T17NC10	20	575	0.7	78.5	1.15	9.90	S, US, 12
3/4	1800	56C	110177.00	√	615	C6T17FC7	21	575	1.1	77.0	1.15	10.48	S, US, 13
1	1800	56C	119542.00	√	1,059	C6T17FC251	34	575	1.3	85.5	1.15	12.48	S, US, 13
1	1800	143TC	122227.00	√	1,059	C143T17FC46	35	575	1.3	85.5	1.15	12.67	S, US, 13
1 1/2	1800	56C	119543.00	√	1,117	C6T17FC252	37	575	1.9	86.5	1.15	12.98	S, US, 13
1 1/2	1800	145TC	122228.00	√	1,117	C145T17FC134	38	575	1.9	86.5	1.15	13.42	S, US, 13
2	3600	56C	119544.00	√	1,114	C6T34FC133	42	575	1.9	85.5	1.15	12.98	S, US, 13
2	1800	145TC	122229.00	√	1,114	C145T17FC129	43	575	2.3	86.5	1.15	13.92	S, US, 13
3	1800	182TC	132461.00	√	1,258	C182T17FC43	75	575	3.1	89.5	1.15	13.97	S, US, 13
5	1800	184TC	132462.00	√	1,358	C184T17FC52	99	575	5.1	89.5	1.15	15.47	S, MX, 13

Green items are Premium Efficient

Note 12 - TENV

Note 13 - TEFC

♥ Note listing on inside back flap
Specifications are subject to change without notice

Three Phase - TEFC - C Face With Base

HP	RPM 60 Hz	NEMA Frame	Catalog Number	Stock	List Price	Model Number	App. Wgt. (lbs)	Voltage	FL. Amps @ 575V	% F.L. Eff.	Service Factor	"C" Dim. (Inches)	♥Notes
1/2	1800	56C	LM24355	C/A	625	SRF4S0.5TC65	18	575	0.9	70.0	1.15	10.69	S, MX
3/4	1800	56C	LM24354	C/A	723	SRF4S0.75TC65	21	575	1.1	75.5	1.15	11.19	S, MX
1	3600	56C	LM34221	C/A	767	SRF2B1TC65	26	575	1.2	78.5	1.15	11.81	S, US
1	1800	56C	LM34218	√	1,190	SRF4B1TC65	30	575	1.3	85.5	1.15	14.15	S, MX
1	1800	143TC	LM34222	C/A	1,096	SSF4B1TC65	41	575	1.3	85.5	1.00	—	S, MX
1 1/2	3600	56C	LM34225	C/A	980	SRF2B1.5TC65	41	575	1.6	84.0	1.15	13.32	S, MX
1 1/2	1800	56HC	LM34223	√	1,136	SRF4B1.5TC65	47	575	1.9	86.5	1.15	14.65	S, MX
1 1/2	1800	145TC	LM34224	C/A	1,136	SSF4B1.5TC65	49	575	1.9	86.5	1.15	—	S, MX
2	3600	56HC	LM34227	C/A	1,070	SRF2B2TC65	49	575	2.0	85.5	1.15	14.32	S, US
2	1800	56HC	LM34228	C/A	1,187	SRF4B2TC65	55	575	2.4	86.5	1.15	15.07	S, US
2	1800	145TC	LM34229	C/A	1,187	SSF4B2TC65	51	575	2.4	86.5	1.15	—	S, MX
3	3600	182TC	LM33611	C/A	1,438	AF2B3TC65AP26	95	575	3.1	87.5	1.15	15.19	A, MX
3	1800	182TC	LM33613	C/A	1,273	AF4B3TC65AP26	95	575	3.1	89.5	1.15	15.19	A, MX
5	3600	184TC	LM33615	C/A	1,638	AF2B5TC65AP26	104	575	4.8	88.5	1.25	15.19	A, MX
5	1800	184TC	LM33617	C/A	1,477	AF4B5TC65AP26	104	575	5.1	89.8	1.00	16.19	A, MX
5	1200	215TC	LM34230	C/A	2,356	AF6B5TC65	149	575	5.5	89.5	1.15	18.70	A, US

Green items are Premium Efficient

C/A - Check Availability

Continued To Next Page

♥ Note listing on inside back flap
Specifications are subject to change without notice



Pump
Motors

Washguard
Motors

Agricultural
Duty Motors

HVAC / Fan
Motors

Special Voltage
Motors

Definite
Purpose Motors

Brake Motors

IEC Motors

DC Motors

Special Voltage Motors

TEFC - 575 Volt - C Face With Base

Three Phase - TEFC - C Face With Base

HP	RPM 60 Hz	NEMA Frame	Catalog Number	Stock	List Price	Model Number	App. Wgt. (lbs)	Voltage	FL. Amps @ 575V	% FL. Eff.	Service Factor	"C" Dim. (Inches)	♥Notes
7 1/2	3600	213TC	LM17186	C/A	1,986	AF2B7.5TC65	138	575	7.1	90.2	1.25	17.20	A, US
7 1/2	1800	213TC	LM17187	C/A	1,916	AF4B7.5TC65	138	575	7.7	91.7	1.25	19.70	A, US
10	3600	215TC	LM17189	C/A	2,481	AF2B10TC65	149	575	9.5	91.7	1.25	19.61	A, US
10	1800	215TC	LM17190	C/A	2,389	AF4B10TC65	149	575	10.8	91.0	1.25	18.70	A, US
15	3600	254TC	LM17192	C/A	3,270	AF2B15TC65	221	575	14.0	91.7	1.25	23.19	A, US
15	1800	254TC	LM17193	C/A	2,946	AF4B15TC65	221	575	15.1	92.4	1.25	23.40	A, US
20	3600	256TC	LM17195	C/A	3,863	AF2B20TC65	248	575	19.2	91.0	1.25	24.24	A, US
20	1800	256TC	LM17196	C/A	3,658	AF4B20TC65	248	575	19.3	93.0	1.25	25.15	A, US
25	3600	284TSC	LM17198	C/A	5,413	AF2B25TSC65	370	575	22.8	93.0	1.25	25.12	A, US
25	1800	284TC	LM17199	C/A	4,904	AF4B25TC65	370	575	25.6	93.6	1.25	26.62	A, US
30	3600	286TSC	LM20087	C/A	6,044	AF2B30TSC65Y	415	575	26.4	93.0	1.25	26.62	A, US
30	1800	286TC	LM20088	C/A	6,373	AF4B30TC65Y	415	575	30.0	94.5	1.25	28.12	A, US
40	3600	324TSC	LM14561	C/A	7,751	SF2B40TSC65Y	514	575	36.0	94.1	1.25	28.03	S, US
40	1800	324TC	LM14562	C/A	7,467	SF4B40TC65Y	514	575	42.4	94.1	1.25	28.50	S, US
50	3600	326TSC	LM14564	C/A	9,721	SF2B50TSC65Y	568	575	45.0	94.1	1.25	28.50	S, US
50	1800	326TC	LM14565	C/A	8,875	SF4B50TC65Y	568	575	51.6	95.0	1.25	30.00	S, US
60	3600	364TSC	LM20037	C/A	12,209	SF2B60TSC65Y	777	575	53.0	95.0	1.25	29.77	S, US
60	1800	364TC	LM20038	C/A	14,413	SF4B60TC65Y	778	575	58.0	95.0	1.25	31.90	S, US
75	3600	365TSC	LM20040	C/A	15,536	SF2B75TSC65Y	834	575	66.5	95.0	1.25	30.77	S, US
75	1800	365TC	LM20041	C/A	15,404	SF4B75TC65Y	834	575	73.0	95.0	1.15	32.90	S, US
100	3600	405TSC	LM20043	C/A	24,564	SF2B100TSC65Y	1,018	575	84.0	94.5	1.15	33.87	S, US
100	1800	405TC	LM20044	C/A	21,955	SF4B100TC65Y	1,001	575	97.5	95.4	1.15	36.87	S, US

Green items are Premium Efficient

C/A - Check Availability

♥ Note listing on inside back flap
Specifications are subject to change without notice





Special Voltage Motors

575 Volt Motors - Drip-Proof - Rigid Base

Three Phase - Drip-Proof - Rigid Base

HP	RPM 60 Hz	NEMA Frame	Catalog Number	Stock	List Price	Model Number	App. Wgt. (lbs)	Voltage	F.L. Amps @ 575V	% F.L. Eff.	Service Factor	"C" Dim. (Inches)	♥Notes
1/3	1800	56	LM34061	√	552	SRD4B0.33T65	23	575	0.5	73.4	1.15	11.22	S, MX
1/2	1800	56	LM34062	C/A	641	SRD4B0.5T65	30	575	0.7	78.2	1.25	11.32	S, MX
3/4	1800	56	LM34063	C/A	706	SRD4B0.75T65	30	575	2.9	81.1	1.15	11.70	S, MX
1	3600	56	LM34064	C/A	793	SRD2B1T65	30	575	1.2	77.0	1.00	11.43	S, US
1	1800	56	LM34065	√	862	SRD4B1T65	30	575	1.2	83.5	1.15	12.07	S, US
1 1/2	3600	56	LM34066	C/A	849	SRD2B1.5T65	35	575	1.7	84.0	1.15	12.70	S, US
1 1/2	1800	56H	LM34067	√	894	SRD4B1.5T65	37	575	1.9	86.5	1.15	14.16	S, MX
2	3600	56H	LM34068	√	991	SRD2B2T65	30	575	2.2	85.5	1.15	13.33	S, US
2	1800	56H	LM25063	D	746	SRD4S2T65	36	575	2.5	81.5	1.15	11.94	S, US
2	1800	56H	LM34069	√	1,010	SRD4B2T65	42	575	2.4	86.5	1.15	13.44	S, US
10	1800	215T	LM34231	C/A	1,425	SSD4B10T65	138	575	10.0	91.7	1.25	17.29	S, MX
15	1800	254T	LM34118	C/A	2,613	SSD4B15T65	215	575	15.4	93.0	1.25	22.32	S, US
20	1800	256T	LM34123	C/A	4,128	SSD4B20T65	233	575	20.8	93.0	1.25	—	S, US
25	1800	284T	LM34126	C/A	3,899	CCD4B25T65Y	350	575	25.6	93.6	1.25	24.94	C, US
30	1800	286T	LM34119	C/A	4,520	CCD4B30T65Y	400	575	29.6	94.1	1.25	26.81	C, US
40	1800	324T	LM34120	C/A	10,930	SD4B40T65Y	469	575	41.5	94.1	1.25	25.82	S, US
50	1800	326T	LM34341	C/A	9,765	SD4B50T65Y	522	575	52.0	94.5	1.25	—	S, US
60	1800	364T	LM34342	C/A	14,974	SD4B60T65Y	712	575	58.0	95.0	1.25	—	S, US
75	1800	365T	LM34121	C/A	15,242	SD4B75T65Y	763	575	70.5	95.0	1.25	29.40	S, US
100	1800	404T	LM34127	C/A	16,786	SD4B100T65Y	882	575	122.0	95.4	1.25	33.31	S, US
125	1800	405T	LM18306	C/A	13,183	SD4B125T65Y	958	575	122.0	94.5	1.25	33.31	S, US

Green items are Premium Efficient

D - Item to be discontinued once inventory is depleted
C/A - Check Availability

Continued To Next Page

♥ Note listing on inside back flap
Specifications are subject to change without notice



Pump
Motors

Washguard
Motors

Agricultural
Duty Motors

HVAC / Fan
Motors

Special Voltage
Motors

Definite
Purpose Motors

Brake Motors

IEC Motors

DC Motors

Special Voltage Motors

200/400 Volt - Drip-Proof - Rigid Base



Three Phase - Drip-Proof - Rigid Base

HP	RPM 60 Hz	NEMA Frame	Catalog Number	Stock	List Price	Model Number	App. Wgt. (lbs)	Voltage	F.L. Amps @ 200V	% F.L. Eff.	Service Factor	"C" Dim. (Inches)	♥Notes
2	1800	145T	LM34232	C/A	961	SSD4B2T62	48	200/400	6.9	86.5	1.15	14.37	S, MX
3	1800	182T	LM34233	C/A	992	SSD4B3T62	75	200/400	9.2	89.5	1.15	13.19	S, MX
5	1800	184T	132463.00	√	1,087	C184T17DB87	62	200-208/400-416	13.9	89.5	1.15	14.19	S, MX
7 1/2	1800	213T	141286.00	√	1,364	C213T17DB27	133	200-208/400-416	22.1	91.0	1.15	16.30	S, MX
10	1800	215T	141287.00	√	1,612	C215T17DB63	138	200-208/400-416	29.0	91.7	1.15	17.30	S, MX
15	1800	254T	LM34128	C/A	2,613	SSD4B15T62	164	200/400	44.0	93.0	1.15	22.32	S, US
20	1800	256T	LM34129	C/A	3,014	SSD4B20T62	200	200/400	56.5	93.6	1.15	22.10	S, US
25	1800	284T	LM34130	C/A	4,695	CCD4B25T62Y	278	200/400	73.5	93.6	1.15	24.94	S, US
30	1800	286T	LM30696	C/A	4,913	CCD4B30T62Y	325	200/400	84.0	94.1	1.15	26.81	S, US
40	1800	324T	LM34149	√	11,852	SD4B40T62	378	200/400	—	94.1	1.15	—	S, US

Shaded model numbers are cast iron frame

♥ Note listing on inside back flap
Specifications are subject to change without notice

Green items are Premium Efficient

C/A - Check Availability

Three Phase - TEFC - Rigid Base

HP	RPM 60 Hz	NEMA Frame	Catalog Number	Stock	List Price	Model Number	App. Wgt. (lbs)	Voltage	F.L. Amps @ 200V	% F.L. Eff.	Service Factor	"C" Dim. (Inches)	♥Notes
1	1800	56	119552.00	√	908	C6T17FB195	35	200-208	3.2	85.5	1.15	12.23	S, US
1	1800	143T	122231.00	C/A	908	C143T17FB35	35	200-208	3.2	85.5	1.15	12.93	S, US
1 1/2	1800	145T	122232.00	√	943	C145T17FB106	41	200-208	4.8	86.5	1.15	12.93	S, US
2	1800	145T	122233.00	C/A	981	C145T17FB105	49	200-208	6.6	86.5	1.15	13.93	S, US
3	3600	182T	LM33621	C/A	1,148	AF2B3T62AP26	73	200/400	—	86.5	1.15	—	A, MX
3	1800	182T	132465.00	√	1,108	C182T17FB60	85	200-208/400-416	10.0	89.5	1.15	13.96	S, MX
5	1800	184T	132466.00	√	1,219	C184T17FB76	87	200-208/400-416	14.4	89.5	1.15	14.97	S, MX
5	1800	184T	LM33624	C/A	1,372	AAF4B5T62AP26	80	200/400	14.5	89.5	1.25	15.19	A, MX
7 1/2	1800	213T	141289.00	√	1,565	C213T17FB25	146	200-208/400-416	22.6	91.7	1.15	18.73	S, MX
10	1800	215T	141290.00	√	1,893	C215T17FB34	164	200-208/400-416	30.5	91.7	1.15	20.23	S, MX
15	1800	254T	LM32691	C/A	2,964	AF4P15T62	202	200/400	43.5	92.4	1.15	23.52	A, US
20	1800	256T	LM34134	C/A	3,462	AF4B20T62	225	200/400	55.5	93.0	1.15	25.15	A, US

Green items are Premium Efficient

C/A - Check Availability

♥ Note listing on inside back flap
Specifications are subject to change without notice



Special Voltage Motors

50 Hertz Motors - Single Phase - Rigid Base

General Specifications:

50 Hz single phase designs produce full rated HP on 50 Hz power supply. Designed for general purpose applications.

Features:

- High efficiency energy saving designs
- Centrifugal switch designed for 50 Hz service
- High torque



Single Phase - Drip-Proof - Rigid Base - IP22

HP	RPM 50 Hz	NEMA Frame	Catalog Number	Stock	List Price	Model Number	App. Wgt. (lbs)	Voltage	F.L. Amps @ 220V	Service Factor	"C" Dim. (Inches)	♥Notes
1/3	1500	56	110394.00	√	572	C6C14DB5	25	110/220	3.2	1.35	9.84	S, US
1/2	3000	56	113901.00	√	510	C6C28DB24	28	110/220	3.8	1.25	10.34	S, US
1/2	1500	56	110395.00	√	724	C6C14DB6	28	110/220	4.1	1.25	10.34	S, US
3/4	3000	56	113902.00	C/A	642	C6C28DB25	30	110/220	5.6	1.25	10.34	S, US
3/4	1500	56	110396.00	√	869	C6C14DB7	33	110/220	5.9	1.25	10.84	S, US
1	3000	56	113903.00	√	712	C6C28DB26	34	110/220	6.6	1.25	10.84	S, US
1	1500	56H	110397.00	√	956	C6C14DB8	38	110/220	6.4	1.15	11.84	S, US, 6
1 1/2	3000	56H	113904.00	√	913	C6C28DB27	40	110/220	8.6	1.15	11.84	S, US
1 1/2	1500	56H	110398.00	√	1,080	C6K14DB1	46	110/220	8.4	1.15	12.34	S, US, 6, 53
2	3000	56H	113905.00	√	1,119	C6C28DB28	45	110/220	10.7	1.15	12.34	S, US
2	1500	182T	131553.00	C/A	1,298	C182C14DB3	73	220	11.8	1.15	13.69	S, US
3	3000	56H	113937.00	√	1,325	C6K28DB5	50	220	12.4	1.15	12.84	S, US
3	1500	184T	131554.00	√	1,484	C184C14DB2	83	220	16.8	1.15	14.69	S, MX
5	1500	184T	131555.00	√	3,035	C184K14DB9	98	220	23.2	1.15	15.69	S, MX, 53

C/A - Check Availability

♥ Note listing on inside back flap
Specifications are subject to change without notice

Special Voltage Motors

50 Hertz Motors - Single Phase - Rigid Base



Single Phase - TEFC - Rigid Base - IP54

HP	RPM 50 Hz	NEMA Frame	Catalog Number	Stock	List Price	Model Number	App. Wgt. (lbs)	Voltage	FL. Amps @ 220V	Service Factor	"C" Dim. (Inches)	♥Notes
1/3	3000	56	113916.00	√	528	C6C28FB25	28	110/220	3.2	1.00	10.98	S, US
1/3	1500	56	110423.00	√	666	C6C14FB6	27	110/220	3.2	1.00	10.98	S, US
1/3	1500	56	113908.00	√	674	M6C14FB22	23	110/220	3.2	1.00	10.98	S, US
1/2	3000	56	113917.00	√	564	C6C28FB26	30	110/220	3.8	1.00	11.48	S, US
1/2	1500	56	110064.00	√	765	C6C14FB1	28	110/220	4.1	1.00	11.48	S, US
1/2	1500	56	113909.00	√	765	M6C14FB23	32	110/220	4.1	1.15	11.48	S, US
3/4	3000	56	113918.00	√	642	C6C28FB27	32	110/220	5.6	1.00	11.48	S, US
3/4	1500	56	110065.00	√	875	C6C14FB2	35	110/220	5.9	1.00	11.98	S, US
3/4	1500	56	113910.00	√	908	M6C14FB24	32	110/220	5.9	1.00	11.48	S, US
1	3000	56	113919.00	√	742	C6C28FB28	33	110/220	6.6	1.00	11.98	S, US
1	1500	56H	110066.00	√	1,053	C6C14FB3	41	110/220	6.4	1.00	12.98	S, US, 6, 53
1	1500	56	113911.00	√	1,053	M6C14FB25	34	110/220	6.4	1.00	12.48	S, US
1 1/2	3000	56H	113920.00	√	977	C6C28FB29	47	110/220	8.0	1.00	13.48	S, US
1 1/2	1500	56H	110424.00	√	1,193	C6K14FB1	50	110/220	8.6	1.00	13.49	S, US, 6, 53
1 1/2	1500	56H	113929.00	√	1,087	P6K14FB9	52	110/220	8.6	1.00	13.48	S, US, 6, 53
2	3000	56HZ	113928.00	√	1,183	C6C28FB24	47	110/220	10.7	1.00	13.93	S, US, 3
2	1500	182T	131556.00	√	1,788	C182C14FB6	98	220	11.2	1.00	15.46	S, MX
2	1500	182T	131600.00	C/A	1,765	P182C14FB5	74	220	12.0	1.00	14.96	S, MX
3	3000	145T	121070.00	√	1,455	C145K28FB6	53	220	12.4	1.00	14.43	S, US, 53
3	3000	56H	113936.00	√	1,455	C6K28FB2	51	220	12.4	1.00	13.98	S, US, 53
3	1500	184T	131557.00	√	2,553	C184C14FB6	101	220	15.9	1.00	16.96	S, MX
3	1500	184T	131601.00	√	2,515	P184C14FB7	101	220	15.9	1.00	16.96	S, MX
5	3000	184T	131638.00	√	1,685	C184K28FB2	101	220	20.5	1.00	17.46	S, MX, 53
5	1500	184T	131578.00	√	3,242	C184K14FB5	83	220	21.0	1.00	17.46	S, MX, 53
5	1500	213TZ	140475.00	C/A	3,255	P213K14FB1	166	220	24.5	1.00	18.71	S, MX, 53

C/A - Check Availability

♥ Note listing on inside back flap
Specifications are subject to change without notice

Single Phase - Drip-Proof - Resilient Base - IP22

HP	RPM 50 Hz	NEMA Frame	Catalog Number	Stock	List Price	Model Number	App. Wgt. (lbs)	Voltage	FL. Amps @ 220V	Service Factor	"C" Dim. (Inches)	♥Notes
1/3	3000	56	114222.00	C/A	448	C6C28DR1	27	110/220	3.2	1.35	10.82	S, US
1/3	1500	56	114223.00	C/A	585	C6C14DR18	30	110/220	3.2	1.35	10.82	S, US
1/2	3000	56	114224.00	C/A	522	C6C28DR2	29	110/220	3.8	1.25	11.32	S, US
1/2	1500	56	114225.00	√	791	C6C14DR19	30	110/220	4.1	1.25	11.31	S, US
3/4	3000	56	114226.00	√	634	C6C28DR3	31	110/220	5.6	1.25	11.29	S, US
3/4	1500	56	114227.00	√	945	C6C14DR16	34	110/220	5.9	1.25	11.81	S, US
1	3000	56	114228.00	C/A	722	C6C28DR4	34	110/220	6.6	1.25	11.79	S, US
1	1500	56	114229.00	C/A	961	C6C14DR17	35	110/220	6.4	1.15	12.31	S, US
1 1/2	1500	56H	114231.00	√	1,078	C6K14DR12	45	110/220	8.4	1.15	13.32	S, US, 53
2	1500	56H	114233.00	√	1,313	C6K14DR13	52	220	9.6	1.15	13.82	S, US

C/A - Check Availability

♥ Note listing on inside back flap
Specifications are subject to change without notice



Single Phase - TEFC - C Face Less Base - IP54

HP	RPM 50 Hz	NEMA Frame	Catalog Number	Stock	List Price	Model Number	App. Wgt. (lbs)	Voltage	Over-load Prot.	F.L. Amps @ 220V	Service Factor	"C" Dim. (Inches)	♥Notes
1/3	1500	56C	113921.00	√	686	M6C14FC5	24	110/220	Man.	3.2	1.00	10.98	S, US
1/2	3000	56C	113912.00	√	589	C6C28FC3	28	110/220	None	3.8	1.00	11.48	S, US
1/2	1500	56C	113922.00	√	786	M6C14FC6	26	110/220	Man.	4.1	1.15	11.48	S, US
3/4	3000	56C	113913.00	√	654	C6C28FC4	31	110/220	None	5.6	1.00	11.48	S, US
3/4	1500	56C	113923.00	√	899	M6C14FC7	34	110/220	Man.	5.9	1.00	11.98	S, US
1	3000	56C	113914.00	√	809	C6C28FC5	35	110/220	None	6.6	1.00	11.98	S, US
1	1500	56C	113924.00	√	947	M6C14FC8	37	110/220	Man.	6.4	1.00	12.48	S, US
1 1/2	3000	56C	113915.00	√	1,052	C6C28FC6	46	110/220	None	8.0	1.00	13.48	S, US
1 1/2	1500	56C	113925.00	√	1,147	P6K14FC4	45	110/220	Man.	8.6	1.00	13.49	S, US, 53
2	3000	145TC	120990.00	√	1,215	C145K28FC2	50	110/220	None	8.6	1.15	13.93	S, US, 53
2	1500	182TC	131599.00	C/A	1,808	P182C14FC2	73	220	Man.	12.0	1.00	14.94	S, MX

C/A - Check Availability

♥ Note listing on inside back flap
Specifications are subject to change without notice

50 Hertz Motors - Three Phase

General Specifications:

Totally enclosed fan cooled, 12-lead motors designed specifically for 50 Hz service. These motors are intended for equipment built in North America and destined for use in 50 Hz service areas around the world.

Features:

- Suitable for 220/380 volt 50Hz, or 440 volt 50Hz, three phase power
- Torques exceed NEMA® performance for Design B motors
- Construction meets IP54 protection standards
- Class F insulation



Three Phase - TEFC - Rigid Base

KW/HP	RPM 50 Hz	NEMA Frame	Catalog Number	Stock	List Price	Model Number	App. Wgt. (lbs)	Voltage	F.L. Amps @ 380V	% F.L. Eff.	Service Factor	"C" Dim. (Inches)	♥Notes
0.18/1/4	1500	48	102685.00	√	555	C4T14FB4	19	220/380/440	1.0	56.0	1.15	9.06	S, MX
0.25/1/3	3000	48	102686.00	√	553	C4T28FB2	16	220/380/440	0.8	60.0	1.15	8.81	S, US
0.25/1/3	1500	48	102688.00	√	666	C4T14FB5	17	220/380/440	1.1	65.0	1.15	9.31	S, MX
0.25/1/3	1500	S56	102183.00	√	624	C4T14FH1	22	220/380/440	1.1	65.0	1.15	9.69	S, MX
0.37/1/2	3000	48	102690.00	C/A	642	C4T28FB1	21	220/380/440	1.0	77.3	1.15	9.31	S, US
0.37/1/2	1500	48	102692.00	√	754	C4T14FB3	20	220/380/440	1.4	72.0	1.15	9.81	S, MX
0.37/1/2	1500	S56	102693.00	√	697	C4T14FH2	20	220/380/440	1.4	72.0	1.15	10.19	S, MX
0.37/1/2	1500	56	114304.00	√	750	C6T14NB1	28	220/380/440	1.2	74.0	1.15	10.40	S, US, 12
0.55/3/4	3000	56	114306.00	C/A	680	C6T28FB4	27	220/380/440	1.8	72.0	1.15	10.48	S, US
0.55/3/4	1500	56	114307.00	√	798	C6T14FB7	27	220/380/440	1.9	74.0	1.15	10.98	S, US
0.75/1	3000	56	114308.00	√	812	C6T28FB5	31	220/380/440	2.4	71.0	1.15	10.98	S, US
0.75/1	1500	56	114888.00	√	807	C6T14FB8	31	220/380/440	2.0	77.0	1.15	10.98	S, US
0.75/1	1500	143T	121096.00	√	807	C143T14FB2	38	220/380/440	2.0	77.0	1.15	12.43	S, US
1.1/1 1/2	3000	145T	121097.00	C/A	836	C145T28FB4	37	220/380/440	2.9	80.0	1.15	12.43	S, US
1.1/1 1/2	1500	145T	121093.00	√	836	C145T14FB13	36	220/380/440	3.3	75.5	1.15	12.43	S, US
1.5/2	3000	145T	121094.00	C/A	905	C145T28FB5	45	220/380/440	3.6	80.0	1.15	12.43	S, US
1.5/2	1500	145T	121095.00	√	947	C145T14FB14	42	220/380/440	3.7	81.5	1.15	13.18	S, US
2.2/3	3000	182T	131480.00	√	1,167	C182T28FB3	61	220/380/440	4.8	82.5	1.15	13.46	S, MX
2.2/3	1500	182T	131459.00	√	1,118	C182T14FB5	68	220/380/440	4.7	82.5	1.15	13.46	S, MX
3.7/5	3000	184T	131481.00	√	1,375	C184T28FB14	79	220/380/440	7.4	84.0	1.15	14.46	S, MX
3.7/5	1500	184T	131454.00	√	1,274	C184T14FB7	85	220/380/440	8.1	87.5	1.00	16.46	S, MX

C/A - Check Availability
Note 12 - TENV

♥ Note listing on inside back flap
Specifications are subject to change without notice



Special Voltage Motors

50 Hertz Motors - Three Phase



Three Phase - TEFC - C Face Less Base - IP54 Enclosure Protection

KW/HP	RPM 50 Hz	NEMA Frame	Catalog Number	Stock	List Price	Model Number	App. Wgt. (lbs)	Voltage	F.L. Amps @ 380V	% F.L. Eff.	Service Factor	"C" Dim. (Inches)	♥Notes
0.18/1/4	1500	S56C	102184.00	√	589	C4T14FC2	21	220/380/440	1.0	56.0	1.15	9.44	S, MX
0.25/1/3	3000	S56C	102687.00	√	582	C4T28FC2	16	220/380/440	0.8	60.0	1.15	9.69	S, US
0.25/1/3	1500	S56C	102689.00	√	639	C4T14FC4	16	220/380/440	1.1	65.0	1.15	9.69	S, MX
0.25/1/3	1500	S56C	114889.00	√	683	C6T14FC5	21	220/380/440	1.0	68.0	1.15	10.21	S, US
0.37/1/2	3000	S56C	102691.00	√	676	C4T28FC1	20	220/380/440	1.0	77.3	1.15	9.69	S, US
0.37/1/2	1500	S56C	102694.00	√	750	C4T14FC3	20	220/380/440	1.4	72.0	1.15	10.19	S, MX
0.37/1/2	1500	S56C	114891.00	√	757	C6T14FC4	23	220/380/440	1.2	73.0	1.15	10.48	S, US
0.37/1/2	1200	S56C	114892.00	√	907	C6T9FC1	31	220/380/440	1.5	68.0	1.15	11.21	S, US
0.55/3/4	3000	S56C	114893.00	√	680	C6T28FC1	27	220/380/440	1.8	72.0	1.15	10.48	S, US
0.55/3/4	1500	S56C	114894.00	√	809	C6T14FC6	26	220/380/440	1.9	74.0	1.15	10.98	S, US
0.75/1	3000	S56C	114895.00	√	818	C6T28FC3	25	220/380/440	2.4	71.0	1.15	10.98	S, US
0.75/1	1500	S56C	114896.00	√	842	C6T14FC7	31	220/380/440	2.0	77.0	1.15	10.98	S, US
0.75/1	1500	143TC	121272.00	√	842	C143T14FC2	34	220/380/440	2.0	77.0	1.15	11.42	S, US
0.75/1	1200	145TC	121273.00	√	969	C145T9FC3	42	220/380/440	2.7	74.7	1.15	12.92	S, US
1.1/1 1/2	3000	143TC	121274.00	C/A	869	C143T28FC1	36	220/380/440	2.9	80.0	1.15	11.92	S, US
1.1/1 1/2	1500	145TC	121275.00	√	879	C145T14FC6	40	220/380/440	3.3	75.5	1.15	12.42	S, US
1.5/2	3000	145TC	121276.00	√	870	C145T28FC1	44	220/380/440	3.6	80.0	1.15	12.42	S, US
1.5/2	1500	145TC	121277.00	√	948	C145T14FC5	41	220/380/440	3.7	81.5	1.15	13.42	S, US
2.2/3	3000	182TC	131505.00	√	1,189	C182T28FC2	62	220/380/440	4.8	82.5	1.15	13.97	S, MX
2.2/3	1500	182TC	131506.00	√	1,102	C182T14FC3	66	220/380/440	4.7	82.5	1.15	13.97	S, MX
3.7/5	3000	184TC	131507.00	√	1,406	C184T28FC3	78	220/380/440	7.4	84.0	1.15	14.47	S, MX
3.7/5	1500	184TC	131508.00	√	1,259	C184T14FC3	84	220/380/440	8.1	87.5	1.00	15.47	S, MX

C/A - Check Availability

♥ Note listing on inside back flap
Specifications are subject to change without notice

Pump
Motors

Washguard
Motors

Agricultural
Duty Motors

HVAC / Fan
Motors

Special Voltage
Motors

Definite
Purpose Motors

Brake Motors

IEC Motors

DC Motors



Special Voltage Motors

Medium Voltage Motors

2300/4000 Volts - Three Phase - Foot Mount

Pump
Motors

Washguard
Motors

Agricultural
Duty Motors

HVAC / Fan
Motors

Special Voltage
Motors

Definite
Purpose Motors

Brake Motors

IEC Motors

DC Motors

Applications Notes:

Ideally suited for applications requiring heavy duty, large horsepower electric motors. Typical uses include pulp and paper mills, mineral processing, waste management facilities, lumber and wood processing mills, automobile manufacturing plants and other severe duty environments where medium voltage power is available.

Features Frames 447T - 449T:

- Full cast iron construction
- Double shielded radial ball bearings
- Designed for direct coupled loads
(contact your local sales office about belted loads)
- Grease fittings with extended grease tubes
- Internal and external epoxy finish
- Premium Class H insulation system
- Front and rear cast iron bearing caps

Features Frames 5011 - 5013

- Full cast iron construction
- Double shielded radial ball bearings
- Designed for direct coupled loads
(contact your local sales office about belted loads)
- Grease fittings with extended grease tubes
- Corrosion resistant breather/drains
- Oversized cast iron terminal box
- Internal and external epoxy finish
- Premium Class H insulation system
- Inpro/Seal[®]* bearing isolators on each end
- Front and rear cast iron bearing caps
- Provision for jacking bolts in all four feet
- Provision for dowel pins in drive end feet
- Grounding points located in terminal box and feet
- 100 ohm platinum winding RTDs as standard on sizes 400 HP and larger

Design ranges include 150 through 350 HP in 4, 6 and 8-pole designs

400 - 500 HP in 4 and 6-pole designs

600 and 700 HP ratings in 4-pole designs

Contact your local sales office for a quote



Definite Purpose Motors

Pump
Motors

Washguard
Motors

Agricultural
Duty Motors

HVAC / Fan
Motors

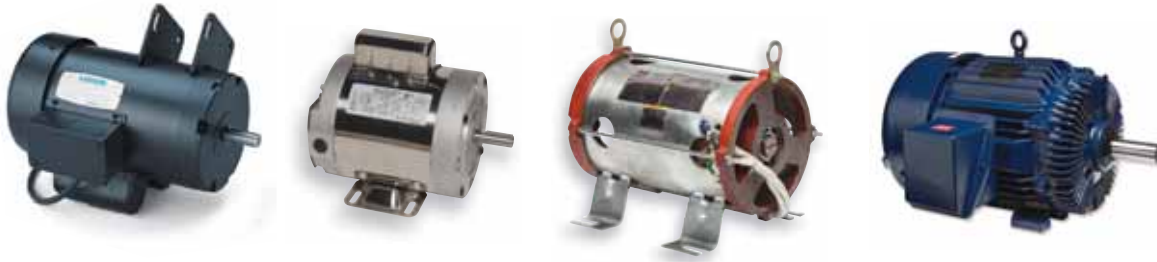
Special Voltage
Motors

Definite
Purpose Motors

Brake Motors

IEC Motors

DC Motors



Product Families Include:

- Compressor Duty Motors
- Pressure Washer Duty Motors
- Woodworking Motors
- Instant Reversing Motors
- Boat Hoist Motors
- Two-Speed Motors
- Crusher Duty Motors
- Elevator Duty Motors
- Unit Handling Motors
- Export Only General Purpose Motors



Definite Purpose Motors

Compressor Duty Motors

Pump Motors

Washguard Motors

Agricultural Duty Motors

HVAC / Fan Motors

Special Voltage Motors

Definite Purpose Motors

Brake Motors

IEC Motors

DC Motors

General Specifications:

Motors designed for air compressor, pump, and fan and blower duty applications which require high breakdown torque and rugged mechanical construction.

Mechanical Features:

- Double shielded ball bearings
- Designed for belted loads

Electrical Features:

- High efficient copper windings
- High starting and breakdown torque
- Dual rotation



Single Phase - Drip-Proof - Rigid Base

HP	RPM 60 Hz	NEMA Frame	Catalog Number	Stock	List Price	Model Number	App. Wgt. (lbs)	Voltage	Over-load Prot.	F. L. Amps @ 230 V	Service Factor	"C" Dim. (Inches)	Notes
1	3600	56	110160.00	√	544	M6C34DB6	30	115/230	Man.	6.7	1.00	11.38	S, US
1	1800	143T	120044.00	√	740	C143C17DB3	41	115/208-230	None	6.4	1.15	11.28	S, US
1	1800	143T	120003.00	√	779	M143C17DB2	36	115/208-230	Man.	6.4	1.15	11.31	S, US
1 1/2	3600	56	110161.00	√	597	P6C34DB7	36	115/230	Man.	10.0	1.00	11.88	S, US
1 1/2	1800	145T	120042.00	√	819	C145K17DB5	43	115/208-230	None	8.6	1.15	12.28	S, US, 53
1 1/2	1800	145T	LM24687	√	933	SSD4S1.5T1C602	39	115/208-230	None	9.0	1.15	12.49	S, US
1 1/2	1800	145T	120004.00	√	1040	P145K17DB3	43	115/208-230	Man.	8.6	1.15	12.28	S, US, 53
2	3600	56	110232.00	√	623	M6C34DB11	34	115/230	Man.	11.0	1.00	11.88	S, US
2	1800	182T	131515.00	√	1011	C182C17DB8	59	115/208-230	None	12.4	1.15	13.19	S, MX
2	1800	182T	131536.00	√	1082	P182C17DB10	66	115/208-230	Man.	12.4	1.15	13.19	S, MX
3	3600	56Y	110222.00	√	698	M6C34DB13	41	230	Man.	15.0	1.15	12.28	S, US, 36
3	1800	184T	131534.00	√	1095	C184C17DB19	78	115/230	None	16.9	1.15	14.19	S, MX
5SPL	3600	56	116523.00	√	842	P6K34DB22	30	208-230	Man.	15.0	1.00	11.44	S, US, 53
5	3600	56Y	111275.00	√	868	P6K34DB5	47	230	Man.	20.8	1.00	13.34	S, US, 36, 53
5	3600	56Y	116789.00	√	895	P6K34DB27	52	230	Man.	20.8	1.00	13.34	S, US, 10, 53
5	3600	145T	120554.00	√	877	P145K34DB1	49	230	Man.	20.8	1.00	13.20	S, US, 53
5	1800	184T	131537.00	√	1,313	C184K17DB31	86	208-230	None	21.0	1.15	14.69	S, MX, 53
5	1800	184T	LM24682	√	1,343	SSD4S5T1B600	89	208-230	None	20.0	1.15	15.21	S, MX, 53
5	1800	184T	131622.00	√	1,570	P184K17DB33	85	208-230	Man.	21.0	1.15	14.69	S, MX, 53
7 1/2	3600	184T	132044.00	√	1,266	C184K34DB8	110	208-230	Tstat	31.0	1.15	16.69	S, MX, 53
7 1/2	3600	213T	140680.00	√	2,136	C213K34DB1	115	208-230	None	29.5	1.15	18.04	S, MX, 53
7 1/2	1800	215T	140155.00	√	1,865	C215K17DB2	116	230	None	36.0	1.15	17.26	S, MX, 53
7 1/2	1800	215T	LM24683	√	1,967	SS215D4S7.5T1B600	116	208-230	None	34.5	1.15	18.05	S, MX, 53
10	3600	215T	140681.00	√	2,702	C215K34DB1	126	208-230	None	37.0	1.15	19.29	S, MX, 53
10	1800	215TZ	140311.00	D	2,725	C215K17DB4	159	230	None	43.0	1.25	19.76	S, MX, 53
10	1800	215TZ	141430.00	√	2,725	C215K17DB18	159	230	None	39.0	1.25	21.09	S, MX, 53
10	1800	215TZ	LM24684	√	2,793	SSD4S10T1B600	140	208-230	None	44.0	1.15	19.29	S, MX, 53

5SPL - Breakdown torque of 5 HP, continuous duty as 3 HP motor
 D- Item to be discontinued once inventory is depleted

♥ Note listing on inside back flap
 Specifications are subject to change without notice



Definite Purpose Motors

Compressor Duty Motors

Pump Motors

Washguard Motors

Agricultural Duty Motors

HVAC / Fan Motors

Special Voltage Motors

Definite Purpose Motors

Brake Motors

IEC Motors

DC Motors

Three Phase - Drip-Proof - Rigid Base

HP	RPM 60 Hz	NEMA Frame	Catalog Number	Stock	List Price	Model Number	App. Wgt. (lbs)	Voltage	F. L. Amps @ 230 V	% FL. Eff.	Service Factor	"C" Dim. (Inches)	♥Notes
1	1800	143T	121003.00	√	797	C143T17DB10	40	208-230/460	3.2	85.5	1.25	12.19	S, US, T
1	1800	143T	LM24871	√	659	SSD4B1T6	35	230/460	3.0	85.5	1.25	12.00	S, MX
1 1/2	1800	145T	121004.00	√	832	C145T17DB32	44	208-230/460	4.8	86.5	1.25	12.69	S, US, T
1 1/2	1800	145T	LM24875	√	688	SSD4B1.5T6	45	230/460	4.4	86.5	1.25	12.99	S, MX
2	1800	145T	121005.00	√	944	C145T17DB33	48	208-230/460	5.8	86.5	1.25	13.69	S, US, T
2	1800	145T	LM24169	√	762	SSD4B2T6	48	230/460	6.0	86.5	1.25	13.49	S, MX
3	1800	182T	131519.00	√	965	C182T17DB37	77	208-230/460	8.0	89.5	1.25	13.19	S, MX, T
3	1800	182T	LM24222	√	992	SSD4B3T61	89	230/460	8.0	89.5	1.25	13.19	S, MX
5	1800	184T	131520.00	√	1,087	C184T17DB44	95	230/460	12.6	89.5	1.25	14.19	S, MX, T
5	1800	184T	LM24202	√	1,114	SSD4B5T61	89	230/460	12.6	89.5	1.25	14.19	S, MX
7 1/2	1800	213T	140470.00	√	1,364	C213T17DB2	133	230/460	20.8	91.0	1.25	16.25	S, MX, T
7 1/2	1800	213T	LM24194	√	1,567	SSD4B7.5T6	158	230/460	19.2	91.0	1.25	18.54	S, US
10	1800	215T	140472.00	√	1,612	C215T17DB15	144	230/460	26.8	91.7	1.25	17.25	S, MX, T
10	1800	215T	LM24193	√	1,752	SSD4B10T6	156	230/460	25.0	91.7	1.25	18.54	S, MX
20	1800	256T	170006.60	√	2,857	C256T17DB5	334	208-230/460	51.0	93.0	1.15	22.60	C, CN, T
20	1800	256T	LM24199	√	3,014	CCD4B20T6	354	230/460	48.0	93.0	1.25	24.37	C, US

Shaded model numbers are cast iron frame

♥ Note listing on inside back flap
Specifications are subject to change without notice

Green items are Premium Efficient

Note T - N/C T-stats

Three Phase - TEFC - Rigid Base

HP	RPM 60 Hz	NEMA Frame	Catalog Number	Stock	List Price	Model Number	App. Wgt. (lbs)	Voltage	F. L. Amps @ 230 V	% FL. Eff.	Service Factor	"C" Dim. (Inches)	♥Notes
3	1800	182T	131463.00	√	1,108	C182T17FB32	83	230/460	7.8	89.5	1.15	13.96	S, MX, T
3	1800	182T	LM32741	√	1,108	SSF4B3T61	74	230/460	7.8	89.5	1.15	13.96	S, MX
5	1800	182T	131464.00	√	1,219	C184T17FB42	87	230/460	12.6	89.5	1.15	14.96	S, MX, T
5	1800	182T	LM33266	√	1,219	SSF4B5T61	85	230/460	12.6	89.5	1.15	14.96	S, MX, T
7 1/2	1800	213T	140450.00	√	1,565	C213T17FB6	153	230/460	21.6	91.7	1.25	18.70	S, MX, T
7 1/2	1800	213T	LM32805	√	1,446	SSF4B7.5T6	129	230/460	19.4	91.7	1.25	20.23	S, US
10	1800	215T	140451.00	√	1,893	C215T17FB18	161	230/460	26.8	91.7	1.25	19.70	S, MX, T
10	1800	215T	LM32809	√	1,784	SSF4B10T6	168	230/460	26.0	91.7	1.25	21.48	S, US
15	1800	254T	170066.60	√	2,874	C254T17FB10	290	208-230/460	37.0	92.4	1.15	23.19	C, CN, T
15	1800	254T	LM24208	√	3,119	CCF4B15T6	360	230/460	37.5	92.4	1.25	23.52	C, US
20	1800	256T	170007.60	√	3,596	C256T17FB4	332	208-230/460	50.0	93.0	1.15	24.92	C, CN, T

Shaded model numbers are cast iron frame

♥ Note listing on inside back flap
Specifications are subject to change without notice

Green items are Premium Efficient

Note T - N/C T-stats



Definite Purpose Motors

Pressure Washer Motors

Motors specially suited for hot or cold pressure washer applications and other single phase installations requiring minimum starting and running amperages.

Mechanical Features:

- Double shielded ball bearings
- Dynamically balanced rotors

Electrical Features:

- Windings dipped in heavy duty varnish system
- Capacitor start / capacitor run designs to reduce amp draw
- Manual reset overload protection
- High service factor



Single Phase - Drip-Proof - Rigid Base

HP	RPM 60 Hz	NEMA Frame	Catalog Number	Stock	List Price	Model Number	App. Wgt. (lbs)	Voltage	Over-load Prot.	F. L. Amps @ 230 V	Service Factor	"C" Dim. (Inches)	Notes
3/4	3600	S56	100053.00	√	533	M4C34DH3	28	115/208-230	Man.	4.9	1.25	10.49	S, MX
3/4	1800	S56	101544.00	C/A	769	M4K17DH2	31	115/230	Man.	4.0	1.25	11.24	S, US, 53
1	3600	56	110097.00	√	550	M6C34DB3	30	115/208-230	Man.	6.0	1.25	10.84	S, US
1	1800	56	113630.00	√	834	M6K17DB33	34	115/208-230	Man.	5.3	1.15	10.87	S, US, 53
1 1/2	3600	56	113631.00	√	730	M6K34DB15	39	115/208-230	Man.	6.2	1.15	11.37	S, US, 53
1 1/2	1800	56H	113266.00	√	973	M6K17DB30	45	115/208-230	Man.	6.7	1.15	12.37	S, US, 6, 53
1 1/2	1800	145T	120004.00	√	1,040	P145K17DB3	43	115/208-230	Man.	8.6	1.15	12.28	S, US, 53
2	3600	56	113632.00	√	986	P6K34DB16	39	115/208-230	Man.	8.6	1.15	11.37	S, US, 53
2	1800	56H	116704.00	√	1,040	P6K17DB47	45	115/208-230	Man.	8.6	1.15	12.68	S, US, 6, 53
2	1800	145T	120879.00	√	1,094	P145K17DB38	54	115/208-230	Man.	8.6	1.15	14.25	S, US
3	3600	56H	116706.00	√	1,048	M6C34DB75	39	230	Man.	15.0	1.00	12.38	S, US, 6, 53
3	1800	184T	131851.00	C/A	1,293	C184K17DB40	75	208-230	Man.	12.8	1.15	13.69	S, MX, 9
5	3600	56H	116708.00	√	1,072	P6K34DB26	45	230	Man.	20.8	1.00	13.34	S, US, 6, 53
5	1800	184T	131622.00	√	1,570	P184K17DB33	85	208-230	Man.	21.0	1.15	14.69	S, MX

C/A - Check Availability

Note listing on inside back flap Specifications are subject to change without notice

Single Phase - TEFC - Rigid Base

HP	RPM 60 Hz	NEMA Frame	Catalog Number	Stock	List Price	Model Number	App. Wgt. (lbs)	Voltage	Over-load Prot.	F. L. Amps @ 230 V	Service Factor	"C" Dim. (Inches)	Notes
3/4	3600	56	110108.00	√	562	M6C34FB7	29	115/208-230	Man.	5.0	1.15	11.48	S, US
3/4	1800	56	110022.00	√	762	M6C17FB7	32	115/208-230	Man.	5.4	1.15	11.48	S, US
1	3600	56	110142.00	√	686	M6C34FB2	31	115/208-230	Man.	6.0	1.15	11.98	S, US
1	1800	56	110023.00	√	862	M6C17FB8	32	115/208-230	Man.	6.4	1.15	11.98	S, US
1	1800	143T	120008.00	√	936	M143C17FB2	34	115/208-230	Man.	6.4	1.15	12.93	S, US
1 1/2	3600	56	110109.00	√	945	M6C34FB8	34	115/208-230	Man.	8.5	1.00	12.48	S, US
1 1/2	1800	56H	113333.00	√	976	M6K17FB32	41	115/208-230	Man.	8.6	1.00	12.99	S, US, 6, 53
1 1/2	1800	145T	120009.00	√	976	M145K17FB2	45	115/208-230	Man.	8.6	1.00	12.93	S, US, 53
2	3600	56H	110402.00	√	1,101	P6C34FB23	44	115/208-230	Man.	10.0	1.00	13.48	S, US, 6, 53
2	3600	145T	120395.00	√	1,114	P145C34FB5	47	115/208-230	Man.	10.0	1.00	13.93	S, US
2	1800	145T	120867.00	√	1,401	P145K17FB22	45	115/208-230	Man.	9.2	1.00	13.93	S, US, 53
3	3600	56H	116705.00	√	1,148	P6K34FB31	53	230	Man.	13.0	1.00	13.99	S, US, 6, 53
3	1800	184T	131855.00	√	1,552	P184K17FB26	88	208-230	Man.	13.6	1.15	14.96	S, MX, 53
5	3600	184T	132042.00	√	1,940	P184K34FB9	103	230	Man.	19.8	1.15	16.96	S, MX, 53
5	1800	184T	131856.00	√	1,805	P184K17FB25	95	208-230	Man.	21.0	1.00	15.96	S, MX, 53

Note listing on inside back flap Specifications are subject to change without notice



Pump Motors
Washguard Motors
Agricultural Duty Motors
HVAC / Fan Motors
Special Voltage Motors
Definite Purpose Motors
Brake Motors
IEC Motors
DC Motors

Definite Purpose Motors

Pressure Washer Motors

Pump Motors

Washguard Motors

Agricultural Duty Motors

HVAC / Fan Motors

Special Voltage Motors

Definite Purpose Motors

Brake Motors

IEC Motors

DC Motors

Single Phase - Drip-Proof - C Face With Base

HP	RPM 60 Hz	NEMA Frame	Catalog Number	Stock	List Price	Model Number	App. Wgt. (lbs)	Voltage	Over- load Prot.	F. L. Amps @ 230 V	Service Factor	"C" Dim. (Inches)	♥Notes
1 1/2	3600	56C	114214.00	√	778	M6K34DK8	38	115/208-230	Man.	6.2	1.15	11.34	S, US
1 1/2	1800	56HC	113700.00	√	1,027	M6K17DK15	41	115/208-230	Man.	7.2	1.15	11.84	S, US, 6, 53
2	3600	56C	114215.00	√	987	P6K34DK9	38	115/208-230	Man.	8.6	1.15	11.34	S, US
2	1800	56HC	113281.00	√	1,063	P6K17DK12	48	115/208-230	Man.	8.6	1.15	12.87	S, US, 6, 53
3	3600	56HC	116707.00	√	1,078	M6C34DK5	41	230	Man.	15.0	1.00	12.84	S, US, 6, 53
3	1800	184TC	131853.00	√	1,293	C184K17DK18	87	208-230	Man.	13.8	1.15	13.20	S, MX, 53
5	3600	56HC	116709.00	√	1,102	P6K34DK18	51	230	Man.	20.8	1.00	13.84	S, US, 6, 53
5	1800	184TC	131630.00	√	1,591	M184K17DK13	90	208-230	Man.	21.0	1.15	14.70	S, MX, 53

♥ Note listing on inside back flap
Specifications are subject to change without notice

Single Phase - TEFC - C Face With Base

HP	RPM 60 Hz	NEMA Frame	Catalog Number	Stock	List Price	Model Number	App. Wgt. (lbs)	Voltage	Over- load Prot.	F. L. Amps @ 230 V	Service Factor	"C" Dim. (Inches)	♥Notes
1/3	1800	56C	116485.00	C/A	846	M6C17FK81	29	115/208-230	Man.	3.2	1.15	10.99	S, US, 57
1/2	1800	56C	116486.00	√	895	M6C17FK80	24	115/208-230	Man.	4.4	1.15	10.99	S, US, 53
3/4	1800	56C	116487.00	√	1,040	M6C17FK79	30	115/208-230	Man.	5.4	1.15	11.49	S, US, 53
1	3600	56C	115877.00	√	654	M6C34FK78	30	115/208-230	Man.	6.0	1.15	11.98	S, US
1	1800	56C	115879.00	√	874	M6C17FK80	32	115/208-230	Man.	6.4	1.15	11.98	S, US
1 1/2	3600	56C	115024.00	√	892	M6K34FK16	38	115/208-230	Man.	6.2	1.15	12.49	S, US, 53
1 1/2	1800	56HC	116703.00	√	1,044	M6K17FK50	39	115/208-230	Man.	8.6	1.15	13.37	S, US
2	3600	56HC	114995.00	√	1,060	P6K34FK15	45	115/230	Man.	8.5	1.15	12.84	S, US, 53
2	1800	145TC	121465.00	√	1,401	P145K17FK10	46	115/208-230	Man.	9.2	1.00	13.93	S, US
3	3600	56HC	115048.00	√	1,160	P6K34FK17	53	208-230	Man.	13.0	1.00	13.98	S, US, 53
3	1800	184TC	131857.00	√	1,979	P14K17FK14	107	230	Man.	12.8	1.15	14.97	S, MX, 53
5	3600	184TC	131632.00	√	1,989	P184K34FK2	106	230	Man.	19.8	1.15	16.97	S, MX
5	1800	184TC	131633.00	√	2,071	P184K17FK11	107	230	Man.	23.0	1.00	17.47	S, MX

C/A - Check Availability

♥ Note listing on inside back flap
Specifications are subject to change without notice



Definite Purpose Motors

Woodworking Motors

Pump Motors

Washguard Motors

Agricultural Duty Motors

HVAC / Fan Motors

Special Voltage Motors

Definite Purpose Motors

Brake Motors

IEC Motors

DC Motors

General Specifications:

- Motors designed for woodworking equipment such as table saws, planers, etc.
- Fully gasketed to prevent dust entry



Single Phase - TEFC - Rigid Base

HP	RPM 60 Hz	NEMA Frame	Catalog Number	Stock	List Price	Model Number	App. Wgt. (lbs)	Voltage	Over- load Prot.	F. L. Amps @ 230 V	Service Factor	"C" Dim. (Inches)	♥Notes
3/4	3600	56	110108.00	√	562	M6C34FB7	29	115/208-230	Man.	5.0	1.15	11.48	S, US
1	3600	56	110142.00	√	686	M6C34FB2	31	115/208-230	Man.	6.0	1.15	11.98	S, US
1 1/2	3600	56	110109.00	√	945	M6C34FB8	34	115/208-230	Man.	8.5	1.00	12.48	S, US
2	3600	56H	110402.00	√	1,101	P6C34FB23	44	115/208-230	Man.	10.0	1.00	13.48	S, US, 6
2	3600	145T	120395.00	√	1,114	P145C34FB5	47	115/208-230	Man.	10.0	1.00	13.93	S, US
3	3600	145T	120341.00	√	1,143	C145K34FB3	49	230	None	13.0	1.00	14.43	S, US, 53

♥ Note listing on inside back flap
Specifications are subject to change without notice

Single Phase - TEFC - C Face Less Base

HP	RPM 60 Hz	NEMA Frame	Catalog Number	Stock	List Price	Model Number	App. Wgt. (lbs)	Voltage	Over- load Prot.	F. L. Amps @ 230 V	Service Factor	"C" Dim. (Inches)	♥Notes
3	3600	145TC	120824.00	√	1,235	P145K34FC6	56	230	Man.	13.0	1.00	14.43	S, US, 53

♥ Note listing on inside back flap
Specifications are subject to change without notice

Table Saw Motor

General Specifications:

- Extra high breakdown torque
- 8 ft. cord with 115V plug
- On/off toggle switch
- Replaces Delta® motor 62-042



Single Phase - TEFC - Rigid Base

HP	RPM 60 Hz	NEMA Frame	Catalog Number	Stock	List Price	Model Number	App. Wgt. (lbs)	Voltage	Over- load Prot.	F. L. Amps @ 230 V	Service Factor	"C" Dim. (Inches)	♥Notes
1 1/2	3600	56	113627.00	√	1,133	M6C34FB63	39	115/230	Man.	7.5	1.00	12.31	S, US

♥ Note listing on inside back flap
Specifications are subject to change without notice



Definite Purpose Motors

Contractors' Saw Motors

General Specifications:

- Motor pivots on rod for belt tensioning
- Extra high breakdown torques for maximum cutting power
- 3/4" Dia. Shaft, 1-3/4" long with keyway
- Includes 54 inch cord
- Motors 120925.00 and 120997.00 replaces Delta®* UNISAW®* motor 83-621 (1-1/2 HP)
- Motors 120728.00 and 120998.00 replaces Delta UNISAW motors 83-651 (3 HP)



Single Phase - TEFC - Delta UNISAW Mounting

HP	RPM 60 Hz	NEMA Frame	Catalog Number	Stock	List Price	Model Number	App. Wgt. (lbs)	Voltage	F. L. Amps @ 230 V	Service Factor	"C" Dim. (Inches)	♥Notes
1	3600	143Y	120925.00	√	1,013	C143C34FB5	47	115/230	10.0	1.00	12.86	S, US
2	3600	143Y	120997.00	√	1,113	C143C34FB6	45	115/230	11.0	1.00	12.86	S, US
3	3600	145Y	120728.00	√	1,419	C145K34FB12	55	230	13.0	1.00	12.86	S, US, 53
4	3600	145Y	120998.00	√	1,482	C145K34FB16	56	230	17.6	1.00	12.86	S, US, 53

♥ Note listing on inside back flap
Specifications are subject to change without notice

Contractors' Power Tool Motors

General Specifications:

- Designed for woodworking applications
- Electronic starting switch
- High starting and breakdown torques
- 48 frame model has 1-1/2" long shaft by 1/2" diameter
- 56 frame models have a 1-7/8" long shaft by 5/8" diameter
- Shaft extensions, each end, include keyway and flat, 90° apart



Single Phase - Drip Proof - Rigid Base - Double-Shaft

HP	RPM 60 Hz	NEMA Frame	Catalog Number	Stock	List Price	Model Number	App. Wgt. (lbs)	Voltage	F. L. Amps @ 230 V	Service Factor	"C" Dim. (Inches)	♥Notes
1/2	1800	S56Z	101781.00	√	674	C4C17DH106	21	115/208-230	4.4	1.25	12.43	S, US
3/4	3600	48Z	101782.00	C/A	692	C4C34DB15	27	115/208-230	4.9	1.25	12.18	S, US
1	3600	56Z	114216.00	√	724	C6C34DB71	30	115/208-230	6.0	1.25	12.81	S, US

C/A - Check Availability

♥ Note listing on inside back flap
Specifications are subject to change without notice



Definite Purpose Motors

Instant Reversing Motors

Pump Motors

Washguard Motors

Agricultural Duty Motors

HVAC / Fan Motors

Special Voltage Motors

Definite Purpose Motors

Brake Motors

IEC Motors

DC Motors

Parking Gates, Door Operators & Slide Gates

General Specifications:

Specially designed motors for use on “instant-reversing” parking gates, doors, slide gates, or other moderate starting torque instant reversing applications. Capable of frequent reversing service.

Features:

- Instant “plug-reversing” with simple three-wire connection
- Manual overload protected
- Approx. 150% starting torque - not suitable for hard start applications



Single Phase - Drip-Proof - Resilient Base

HP	RPM 60 Hz	NEMA Frame	Catalog Number	Stock	List Price	Model Number	App. Wgt. (lbs)	Voltage	Over- load Prot.	F. L. Amps @ 115 V	Service Factor	“C” Dim. (Inches)	♥Notes
1/3	1625	S56	103794.00	√	622	M4P17DJ29	24	115	Man.	4.2	1.00	10.81	S, MX
1/2	1625	S56	100802.00	√	686	M4P17DJ7	27	115	Man.	6.1	1.00	11.31	S, MX
1/2	1625	S56	103460.00	√	508	5KCP35JNC128	22	115	Man.	5.0	1.00	9.94	S, MX
1/2	1625	S56	103821.00	√	698	M4P17DJ33	26	115	Man.	5.1	1.00	10.81	S, MX, 47
3/4	1625	56H	113642.00	√	819	M6P17DR4	36	115	Man.	7.2	1.00	12.32	S, US

Note 47 - Rated at 50 HZ at full rated HP

♥ Note listing on inside back flap
Specifications are subject to change without notice



Single Phase - Drip-Proof - C Face Less Base

HP	RPM 60 Hz	NEMA Frame	Catalog Number	Stock	List Price	Model Number	App. Wgt. (lbs)	Voltage	Over- load Prot.	F. L. Amps @ 115 V	Service Factor	“C” Dim. (Inches)	♥Notes
1/3	1625	S56C	102017.00	√	612	M4P17DC29	21	115	Man.	4.2	1.00	9.99	S, MX
1/2	1625	S56C	102021.00B	√	686	M4P17DC53	22	115	Man.	6.0	1.00	10.49	S, US
1/2	1625	S56C	100704.00	√	686	M4P17DC7	16	115	Man.	5.1	1.00	10.24	S, MX, *

*Note - Motor has same electrical design as 102017, but is rated for intermittent duty.

♥ Note listing on inside back flap
Specifications are subject to change without notice

Features (Rigid Base):

- Capacitor start, induction run motors with solid state, instant reversing switch
- Manual overload protected



Single Phase - TEFC - Rigid Base

HP	RPM 60 Hz	NEMA Frame	Catalog Number	Stock	List Price	Model Number	App. Wgt. (lbs)	Voltage	Over- load Prot.	F. L. Amps @ 230 V	Service Factor	“C” Dim. (Inches)	♥Notes
3/4	1800	56	114932.00	√	878	P6C17FB113	33	115/208-230	Man.	5.4	1.15	11.24	S, MX
1	1800	56	114933.00	√	962	P6C17FB112	36	115/208-230	Man.	6.4	1.15	11.74	S, MX

♥ Note listing on inside back flap
Specifications are subject to change without notice



Definite Purpose Motors

Boat Hoist Duty Motors

Our Electra Gear® provides Boat Hoist Duty motors provide customized features that are needed to support the boat hoist industry.

Features Include:

- Stainless steel frame, base, capacitor case and conduit box cover
- 15 minute duty cycle
- Drain holes located at 6:00 position
- TENV enclosure
- Die cast aluminum endbells
- Capacitor case located at 12:00
- 1.15 Service Factor
- UL recognized component listing and CSA approved



Single Phase - TENV - C Face With Base

HP	RPM 60 Hz	NEMA Frame	Catalog Number	Stock	List Price	Model Number	App. Wgt. (lbs)	Voltage	F. L. Amps @ 230 V	"C" Dim. (Inches)	♥Notes
1/2	1800	56C	6439191250	√	527	6439191250	29	115/230	4.1	10.50	S, CN
3/4	1800	56C	6439191251	√	570	6439191251	38	115/230	4.9	11.10	S, CN
1	1800	56C	6439191252	√	620	6439191252	41	115/230	6.8	11.70	S, CN
1 1/2	1800	56C	6439191253	√	722	6439191253	45	115/230	7.6	12.60	S, CN

♥ Note listing on inside back flap
Specifications are subject to change without notice

Single Phase - TENV - C Face Less Base

HP	RPM 60 Hz	NEMA Frame	Catalog Number	Stock	List Price	Model Number	App. Wgt. (lbs)	Voltage	F. L. Amps @ 230 V	"C" Dim. (Inches)	♥Notes
1/2	1800	56C	6439191260	√	509	6439191260	28	115/230	4.1	10.50	S, CN
3/4	1800	56C	6439191261	√	553	6439191261	37	115/230	4.9	11.10	S, CN
1	1800	56C	6439191262	√	605	6439191262	40	115/230	6.8	11.70	S, CN
1 1/2	1800	56C	6439191263	√	704	6439191263	44	115/230	7.6	12.60	S, CN
2	1800	56C	6439191264	√	795	6439191264	48	115/230	9.0	13.40	S, CN

♥ Note listing on inside back flap
Specifications are subject to change without notice

Definite Purpose Motors

Two-Speed Motors

Three Phase - Variable and Constant Torque Designs



General Specifications:

Two-speed, single winding design motors.
See page 225 for typical characteristic speed torque curves.

Variable Torque - 460 Volt - One Winding - TEFC - Rigid Base - 1800/900 RPM

HP	RPM 60 Hz	NEMA Frame	Catalog Number	Stock	List Price	Model Number	App. Wgt. (lbs)	Voltage	F. L. Amps @ 460 V	Service Factor	"C" Dim. (Inches)	Notes
1 1/4	1800 900	143T	120945.00	C/A	1,163	C143T48FB7	39	460	1.5-0.7	1.00	12.75	S, US
1 1/2 3/8	1800 900	145T	120941.00	√	1,210	C145T48FB60	39	460	2.4-1.0	1.00	12.75	S, US
2 1/2	1800 900	145T	120940.00	C/A	1,411	C145T48FB48	39	460	3.2-1.3	1.00	12.75	S, US
3 3/4	1800 900	184T	131474.00	C/A	1,512	C184T48FB67	80	460	4.0-1.8	1.00	14.46	S, MX
5 1 1/2	1800 900	184T	131475.00	√	1,928	C184T48FB68	98	460	6.5-2.5	1.00	15.96	S, MX
7 1/2 1 7/8	1800 900	215T	140447.00	√	2,718	C215T48FB46	158	460	9.7-3.3	1.00	17.71	S, MX
10 2 1/2	1800 900	215T	140448.00	√	3,203	C215T48FB48	171	460	12.7-4.2	1.00	18.71	S, MX

C/A - Check Availability

♥ Note listing on inside back flap
Specifications are subject to change without notice

Variable Torque - 208-230 Volt - One Winding - TEFC - Rigid Base - 1800/900 RPM

HP	RPM 60 Hz	NEMA Frame	Catalog Number	Stock	List Price	Model Number	App. Wgt. (lbs)	Voltage	F. L. Amps @ 230 V	Service Factor	"C" Dim. (Inches)	Notes
1 1/4	1800 900	143T	120944.00	C/A	1,163	C143T48FB6	39	208-230	3.0-1.4	1.00	12.75	S, US
1 1/2 3/8	1800 900	145T	120947.00	C/A	1,215	C145T48FB61	39	208-230	4.8-2.0	1.00	12.75	S, US
2 1/2	1800 900	145T	120946.00	√	1,411	C145T48FB59	38	208-230	6.4-2.6	1.00	12.75	S, US
3 3/4	1800 900	184T	131468.00	√	1,512	C184T48FB61	81	208-230	8.0-3.6	1.00	14.46	S, MX
5 1 1/2	1800 900	184T	131469.00	√	1,928	C184T48FB62	97	208-230	13.0-5.0	1.00	15.96	S, MX
7 1/2 1 7/8	1800 900	215T	140443.00	C/A	2,745	C215T48FB45	157	208-230	19.4-6.6	1.00	17.71	S, MX
10 2 1/5	1800 900	215T	140444.00	C/A	3,203	C215T48FB47	169	208-230	25.4-8.4	1.00	18.71	S, MX

C/A - Check Availability

♥ Note listing on inside back flap
Specifications are subject to change without notice

Constant Torque - 460 Volt - One Winding - TEFC - Rigid Base - 1800/900 RPM

HP	RPM 60 Hz	NEMA Frame	Catalog Number	Stock	List Price	Model Number	App. Wgt. (lbs)	Voltage	F. L. Amps @ 460 V	Service Factor	"C" Dim. (Inches)	Notes
1 1/2	1800 900	143T	120943.00	C/A	1,801	C143T48FB9	39	460	1.4-1.6	1.00	12.93	S, US
2 1	1800 900	184T	131471.00	√	2,121	C184T48FB64	71	460	2.9-2.9	1.00	13.96	S, MX
3 1 1/2	1800 900	184T	131470.00	√	2,407	C184T48FB63	83	460	3.8-3.5	1.00	14.96	S, MX
5 2 1/2	1800 900	215T	140445.00	C/A	3,144	C215T48FB43	148	460	6.7-7.0	1.00	17.71	S, MX

C/A - Check Availability

♥ Note listing on inside back flap
Specifications are subject to change without notice

Constant Torque - 208-230 Volt - One Winding - TEFC - Rigid Base - 1800/900 RPM

HP	RPM 60 Hz	NEMA Frame	Catalog Number	Stock	List Price	Model Number	App. Wgt. (lbs)	Voltage	F. L. Amps @ 230 V	Service Factor	"C" Dim. (Inches)	Notes
1 .5	1800 900	143T	120942.00	C/A	1,801	C143T48FB8	40	208-230	3.2-4.2	1.00	12.93	S, US
2 1	1800 900	184T	131473.00	C/A	2,121	C184T48FB66	72	208-230	5.8-5.7	1.00	13.96	S, MX
3 1.5	1800 900	184T	131472.00	√	2,407	C184T48FB65	83	208-230	7.6-6.9	1.00	14.96	S, MX
5 2.5	1800 900	215T	140446.00	C/A	3,144	C215T48FB44	140	208-230	13.4-14.0	1.00	17.71	S, MX

C/A - Check Availability

♥ Note listing on inside back flap
Specifications are subject to change without notice



Pump Motors
Washguard Motors
Agricultural Duty Motors
HVAC / Fan Motors
Special Voltage Motors
Definite Purpose Motors
Brake Motors
IEC Motors
DC Motors

Definite Purpose Motors

Aggregate / Crusher Duty / Quarry Duty

Pump Motors

Washguard Motors

Agricultural Duty Motors

HVAC / Fan Motors

Special Voltage Motors

Definite Purpose Motors

Brake Motors

IEC Motors

DC Motors

Design Features:

- NEMA® Design C
- NEMA Premium efficient
- Roller bearing - drive end only for belted load applications only
- Shaft seals - both ends
- 4140 grade high strength shaft material
- Full cast iron construction
- Inverter rated insulation system
- Epoxy painted
- N/C thermostats



Three Phase - TEFC - Rigid Base

HP	RPM 60 Hz	NEMA Frame	Catalog Number	Stock	List Price	Model Number	App. Wgt. (lbs)	Voltage	F. L. Amps @ 230 V	Service Factor	"C" Dim. (Inches)	♥Notes
50	1800	326T	194181.00	√	8,955	C326T17WB1	756	230/460	116	1.15	33.86	C, CN
50	1200	365T	194182.00	√	14,701	C365T11WB1	1070	230/460	120	1.15	36.61	C, CN
60	1800	364T	194183.00	√	12,693	C364T17WB1	1009	230/460	138	1.15	36.61	C, CN
60	1200	404T	194184.00	√	17,418	C404T11WB1	1341	230/460	144	1.15	42.72	C, CN
75	1800	365T	194185.00	√	15,874	C365T17WB1	1110	230/460	170	1.15	36.61	C, CN
75	1200	405T	194186.00	√	18,310	C405T11WB1	1441	230/460	178	1.15	42.72	C, CN
100	1800	405T	194187.00	√	19,732	C405T17WB1	1469	230/460	115	1.15	42.72	C, CN
100	1200	444T	194188.00	√	26,041	C444T11WB1	2048	460	114*	1.15	50.78	C, CN
125	1800	444T	194189.00	√	26,116	C444T17WB1	2200	460	140*	1.15	50.78	C, CN
125	1200	445T	194190.00	√	29,402	C445T11WB1	2200	460	142*	1.15	50.78	C, CN
150	1800	445T	194191.00	√	29,864	C445T17WB1	2200	460	165*	1.15	50.78	C, CN
150	1200	447T	194192.00	√	33,151	C447T11WB1	2569	460	170*	1.15	50.78	C, CN
200	1800	447T	194193.00	√	34,203	C447T17WB1	2200	460	225*	1.15	50.78	C, CN
200	1200	449T	194194.00	√	43,407	C449T11WB1	2656	460	228*	1.15	55.91	C, CN
250	1800	449T	194195.00	√	35,380	C449T17WB1	2200	460	280*	1.15	55.91	C, CN

Shaded model numbers are cast iron frame

Green items are Premium Efficient

*F.L. Amps and 460 V

♥ Note listing on inside back flap
Specifications are subject to change without notice



Definite Purpose Motors

Lincoln Motors™ Hydraulic Elevator Duty Motors

Pump Motors

Washguard Motors

Agricultural Duty Motors

HVAC / Fan Motors

Special Voltage Motors

Definite Purpose Motors

Brake Motors

IEC Motors

DC Motors

Applications:

Hydraulic pump passenger, service, freight, and dumbwaiter low rise elevators. Typically hydraulic elevators travel up to 6 floors at speeds up to 200 fpm.

Features:

- Dual rated nameplates for 80 and 120 starts/hour
- Designed for belt driven pumps
- Wye Start/Delta Run
- Class F insulated
- 40° C ambient
- F-1 mounting
- Ball bearings with grease fittings and automatic relief
- NEMA® dimensions
- UL recognized component listing and CSA approved
- Constructed for low noise and low vibration



Three Phase - Drip-Proof - Rigid Base - 80 Starts Per Hour

HP	RPM 60 Hz	NEMA Frame	Catalog Number	Stock	List Price	Model Number	App. Wgt. (lbs)	Voltage	% FL. Nom. EFF.	80 Starts FL. Amps	Locked Rotor Amps	♥Notes
15	3600	213T	LM30092	C/A	1,564	SSD2P10/15T61YEH2	149	230/460	88.5	35.5/17.8	162/81	S, US
15	1800	215T	LM28867	√	1,437	SSD4G10/15T6006YEH2	128	200	89.5	45	170	S, US
15	1800	215T	LM28868	√	1,437	SSD4S10/15T61YEH2	124	230/460	89.5	39/19.6	148/74	S, US
20	3600	215T	LM30093	√	2,042	SSD2P15/20T6006YEH2	135	200	90.2	53	267	S, US
20	3600	215T	LM30094	√	2,042	SSD2P15/20T61YEH2	138	230/460	90.2	46/23	232/116	S, US
20	1800	254T	LM28873	√	1,958	SSD4G15/20T6006YEH2	203	200	91.0	59	267	S, US
20	1800	254T	LM28874	√	1,958	SSD4G15/20T61YEH2	205	230/460	91.0	51.5/25.7	232/116	S, US
25	3600	254T	LM30095	√	2,590	SSD2P20/25T6006YEH2	128	200	91.0	68	334	S, US
25	3600	254T	LM30096	√	2,590	SSD2P20/25T61YEH2	134	230/460	91.0	59/29.5	290/145	S, US
25	1800	256T	LM28879	√	2,475	SSD4G20/25T6006YEH2	233	200	91.0	73.5	368	S, US
25	1800	256T	LM28880	√	2,475	SSD4G20/25T61YEH2	233	230/460	91.0	64/32	320/160	S, US
30	3600	256T	LM30097	√	3,116	SSD2P25/30T6006YEH2	235	200	91.0	80	419	S, US
30	3600	256T	LM30098	√	3,116	SSD2P25/30T61YEH2	235	230/460	91.0	69/34.5	364/182	S, US
30	1800	284T	LM29850	√	3,270	CCD4G25/30T6006YEH2	300	200	91.7	84	391	C, US
30	1800	284T	LM29851	√	3,270	CCD4G25/30T61YEH2	318	230/460	90.2	73/36.5	340/170	C, US
30	1800	284T	LM33046	√	3,745	CCD4B25/30T61YEH2	320	230/460	94.1	73/36.5	360/180	C, US

Continued On Next Page

Shaded model numbers are cast iron frame

C/A - Check Availability

♥ Note listing on inside back flap
Specifications are subject to change without notice



Definite Purpose Motors

Lincoln Motors™ Hydraulic Elevator Duty Motors

Three Phase - Drip-Proof - Rigid Base - 80 Starts Per Hour

HP	RPM 60 Hz	NEMA Frame	Catalog Number	Stock	List Price	Model Number	App. Wgt. (lbs)	Voltage	% FL. Nom. EFF.	80 Starts FL. Amps	Locked Rotor Amps	♥Notes
40	3600	284T	LM30099	√	4,013	CCD2P30/40T6006YEH2	320	200	91.7	112	460	C, US
40	3600	284T	LM30100	√	4,013	CCD2P30/40T61YEH2	322	230/460	91.7	97/48.5	400/200	C, US
40	1800	286T	LM29852	√	3,793	CCD4G30/40T6006YEH2	450	200	92.4	112	495	C, US
40	1800	286T	LM29853	√	3,793	CCD4G30/40T61YEH2	600	230/460	92.4	97/48.5	430/215	C, US
40	1800	286T	LM33048	C/A	4,342	CCD4B30/40T61YEH2	610	230/460	94.1	96/48	416/208	C, US
50	3600	286T	LM30102	C/A	5,126	CCD2P40/50T61YEH2	462	230/460	92.4	118/59	580/290	C, US
50	1800	324T	LM28897	√	5,751	SD4G40/50T6006YEH2	550	200	92.4	150	630	S, US
50	1800	324T	LM28898	√	5,751	SD4G40/50T61YEH2	552	230/460	92.4	130/65	548/274	S, US
50	1800	324T	LM32651	√	6,587	SD4B40/50T61YEH2	554	230/460	94.5	125/62.5	530/265	S, US
60	1800	326T	LM28903	√	6,388	SD4G50/60T6006YEH2	519	200	92.4	176	794	S, US
60	1800	326T	LM28904	C/A	6,388	SD4G50/60T61YEH2	530	230/460	92.4	153/76.5	690/345	S, US
60	1800	326T	LM32663	√	9,740	SF4B50/60T61YEH2	535	230/460	93.6	151/75.5	650/325	S, US, 13
75	1800	364T	LM28909	C/A	9,550	SD4G60/75T6006YEH2	693	200	93.6	206	1000	S, US
75	1800	364T	LM28910	√	9,550	SD4S60/75T61YEH2	709	230/460	93.6	179/89.5	870/435	S, US
100	1800	365T	LM28914	C/A	10,084	SD4G75/100T61YEH2	754	230/460	94.1	250/125	1084/542	S, US

Shaded model numbers are cast iron frame

♥ Note listing on inside back flap
Specifications are subject to change without notice

Green items are Premium Efficient

C/A - Check Availability

Pump
Motors

Washguard
Motors

Agricultural
Duty Motors

HVAC / Fan
Motors

Special Voltage
Motors

Definite
Purpose Motors

Brake Motors

IEC Motors

DC Motors



Definite Purpose Motors

Lincoln Motors™ Hydraulic Elevator Duty Motors

Three Phase - Drip-Proof - Rigid Base - 120 Starts Per Hour

HP	RPM 60 Hz	NEMA Frame	Catalog Number	Stock	List Price	Model Number	App. Wgt. (lbs)	Voltage	% FL. Nom. EFF.	120 Starts FL. Amps	Locked Rotor Amps	♥Notes
10	3600	213T	LM30092	C/A	1,564	SSD2P10/15T61YE2	149	230/460	88.5	23.4/11.7	162/81	S, US
10	1800	215T	LM28867	√	1,437	SSD4G10/15T6006YE2	128	200	89.5	28.8	170	S, US
10	1800	215T	LM28868	√	1,437	SSD4S10/15T61YE2	124	230/460	89.5	25/12.5	148/74	S, US
15	3600	215T	LM30093	√	2,042	SSD2P15/20T6006YE2	135	200	90.2	39	267	S, US
15	3600	215T	LM30094	√	2,042	SSD2P15/20T61YE2	138	230/460	90.2	34/17	232/116	S, US
15	1800	254T	LM28873	√	1,958	SSD4G15/20T6006YE2	203	200	91.0	44	267	S, US
15	1800	254T	LM28874	√	1,958	SSD4G15/20T61YE2	205	230/460	91.0	38.5/19.2	232/116	S, US
20	3600	254T	LM30095	√	2,590	SSD2P20/25T6006YE2	128	200	91.0	53	334	S, US
20	3600	254T	LM30096	√	2,590	SSD2P20/25T61YE2	134	230/460	91.0	46/23.1	290/145	S, US
20	1800	256T	LM28879	√	2,475	SSD4G20/25T6006YE2	233	200	91.0	60	368	S, US
20	1800	256T	LM28880	√	2,475	SSD4G20/25T61YE2	233	230/460	91.0	52/26	320/160	S, US
25	3600	256T	LM30097	√	3,116	SSD2P25/30T6006YE2	235	200	91.0	66.5	419	S, US
25	3600	256T	LM30098	√	3,116	SSD2P25/30T61YE2	235	230/460	91.0	58.29	364/182	S, US
25	1800	284T	LM29850	√	3,270	CCD4G25/30T6006YE2	300	200	91.7	70	391	C, US
25	1800	284T	LM29851	√	3,270	CCD4G25/30T61YE2	318	230/460	90.2	61/30.5	340/170	C, US
25	1800	284T	LM33046	√	3,745	CCD4B25/30T61YE2	320	230/460	94.1	62/31	360/180	C, US
30	3600	284T	LM30099	√	4,013	CCD2P30/40T6006YE2	320	200	91.7	83	460	C, US
30	3600	284T	LM30100	√	4,013	CCD2P30/40T61YE2	322	230/460	91.7	72.36	400/200	C, US
30	1800	286T	LM29852	√	3,793	CCD4G30/40T6006YE2	450	200	92.4	83	495	C, US
30	1800	286T	LM29853	√	3,793	CCD4G30/40T61YE2	600	230/460	92.4	72/36	430/215	C, US
30	1800	286T	LM33048	C/A	4,342	CCD4B30/40T61YE2	610	230/460	94.1	74/37	416/208	C, US
40	3600	286T	LM30102	C/A	5,126	CCD2P40/50T61YE2	462	230/460	92.4	94/47	580/290	C, US
40	1800	324T	LM28897	√	5,751	SD4G40/50T6006YE2	470	200	92.4	122	630	S, US
40	1800	324T	LM28898	√	5,751	SD4G40/50T61YE2	466	230/460	92.4	106/53	548/274	S, US
40	1800	324T	LM32651	√	6,587	SD4B40/50T61YE2	466	230/460	94.5	103/51.5	530/265	S, US
50	1800	326T	LM28903	√	6,388	SD4G50/60T6006YE2	519	200	92.4	150	794	S, US
50	1800	326T	LM28904	√	6,388	SD4G50/60T61YE2	530	230/460	92.4	130/65	690/345	S, US
50	1800	326T	LM32663	√	9,740	SF4B50/60T61YE2	535	230/460	93.6	131/65	650/325	S, US
60	1800	364T	LM28909	C/A	9,550	SD4G60/75T6006YE2	693	200	93.6	167	1000	S, US
60	1800	364T	LM28910	√	9,550	SD4S60/75T61YE2	709	230/460	93.6	145/72.5	870/435	S, US
75	1800	365T	LM28914	C/A	10,084	SD4G75/100T61YE2	754	230/460	94.1	187/93.5	1084/542	S, US

Shaded model numbers are cast iron frame

♥ Note listing on inside back flap
Specifications are subject to change without notice

Green items are Premium Efficient

C/A - Check Availability



Pump Motors
 Washguard Motors
 Agricultural Duty Motors
 HVAC / Fan Motors
 Special Voltage Motors
 Definite Purpose Motors
 Brake Motors
 IEC Motors
 DC Motors

Definite Purpose Motors

Lincoln Motors™ VVVF (Variable Voltage-Variable Frequency) Traction Elevator Hoist Motors

Applications:

Designed for geared and gearless traction elevators, 100 fpm to 500 fpm operation and up to 12 or 15 floors.

Features:

- Dynamic balanced for low vibration operation
- Normally closed thermostats, one per phase
- Low noise design
- Steel frame construction with cast iron endbells
- Class F Insulated, 40° C ambient
- EPA efficiency or better
- 1.0 service factor
- 1024 PPR encoder, with 1-inch shaft bore standard
- F-1 mounting
- 1000:1 inverter duty capability



Three Phase - Drip-Proof - Rigid Base with Encoder - 80 Starts Per Hour

HP	SYN RPM	No. of Poles	Frame	Catalog Number	Stock	List Price	Model Number	App. Wgt. (lbs)	HZ	Voltage	F.L. Amps	Rated Accel. Torque	Notes
7 1/2	1200	6	254T	LM28114	√	4,502	SD6P7.5T61ET1	221	60	230/460	24/12	225%	S, US
7 1/2	1200	6	254T	LM28115	√	4,502	SD6P7.5T6006ET1	221	60	200	27.6	225%	S, US
7 1/2	1200	4	254T	LM28116	C/A	4,415	SD4P7.5T41ET1	200	40	230/460	19/9.5	275%	S, US
7 1/2	1200	4	254T	LM28117	C/A	4,415	SD4P7.5T4006ET1	200	40	200	21.9	275%	S, US
7 1/2	900	4	256T	LM28118	C/A	4,903	SD4P7.5T31ET1	278	30	230/460	19.6/9.8	275%	S, US
7 1/2	900	4	256T	LM28119	C/A	4,903	SD4P7.5T3006ET1	278	30	200	22.6	275%	S, US
10	1200	6	256T	LM28120	√	5,003	SSD6P10T61ET1	214	60	230/460	29/14.5	250%	S, US
10	1200	6	256T	LM28121	√	5,003	SD6P10T6006ET1	214	60	200	33.5	250%	S, US
10	1200	4	256T	LM28122	C/A	4,903	SD4P10T41ET1	232	40	230/460	25.4/12.7	275%	S, US
10	1200	4	256T	LM28123	C/A	4,903	SSD4P10T4006ET1	232	40	200	29.2	275%	S, US
10	900	4	284T	LM28124	C/A	5,805	SD4P10T31ET1	280	30	230/460	27/13.5	330%	S, US
10	900	4	284T	LM28125	C/A	5,805	SD4P10T3006ET1	280	30	200	31.1	330%	S, US
12 1/2	1200	6	284T	LM31393	C/A	6,772	SD6P12.5T61ET1	338	60	230/460	42/21	300%	S, US
12 1/2	1200	6	284T	LM30676	√	6,772	SD6P12.5T6006YET1	338	60	200	47	300%	S, US
12 1/2	900	4	284T	LM30677	C/A	6,302	SD4P12.5T31ET1	365	30	230/460	34/17	300%	S, US
12 1/2	900	4	284T	LM30678	C/A	6,302	SD4P12.5T3006ET1	365	30	200	38.5	300%	S, US
15	1800	4	256T	LM30679	C/A	5,003	SD4P15T61ET1	233	60	230/460	—	—	S, US
15	1800	4	256T	LM30680	C/A	5,003	SD4P15T6006ET1	233	60	200	—	—	S, US
15	1200	6	284T	LM28126	√	6,813	SD6S15T61YET1	341	60	230/460	49/24.5	300%	S, US
15	1200	6	284T	LM28127	C/A	6,813	SD6G15T6006YET1	338	60	200	56.5	300%	S, US
15	1200	4	284T	LM28128	C/A	5,805	SD4P15T41ET1	344	40	230/460	40/20	330%	S, US
15	1200	4	284T	LM28129	C/A	5,805	SD4P15T4006ET1	344	40	200	46	330%	S, US
15	900	4	286T	LM30535	C/A	7,703	SD4S15T31YET1	392	30	230/460	40/20	300%	S, US
15	900	4	286T	LM28131	C/A	6,799	SD4P15T3006ET1	392	30	200	47.2	300%	S, US
20	1800	4	256T	LM30681	C/A	5,510	SD4P20T61ET1	240	60	230/460	—	—	S, US
20	1800	4	256T	LM30682	C/A	5,510	SD4P20T6006ET1	240	60	200	—	—	S, US

C/A - Check Availability

Continued On Next Page

♥ Note listing on inside back flap
Specifications are subject to change without notice



Definite Purpose Motors

Lincoln Motors™ VVVF (Variable Voltage-Variable Frequency) Traction Elevator Hoist Motors

Three Phase - Drip-Proof - Rigid Base with Encoder - 80 Starts Per Hour

HP	SYN RPM	No. of Poles	Frame	Catalog Number	Stock	List Price	Model Number	App. Wgt. (lbs)	HZ	Voltage	FL. Amps	Rated Accel. Torque	♥Notes
20	1200	6	286T	LM28132	C/A	7,918	SD6S20T61YET1	390	60	230/460	61/30.5	275%	S, US
20	1200	6	286T	LM28133	C/A	6,988	SD6S20T6006YET1	400	60	200	70	275%	S, US
20	1200	4	286T	LM28134	C/A	6,799	SD4P20T41ET1	385	40	230/460	52/26	330%	S, US
20	1200	4	286T	LM28135	C/A	6,799	SD4P20T4006ET1	385	40	200	59.8	330%	S, US
20	900	4	324T	LM28136	C/A	8,777	SD4P20T31ET1	480	30	230/460	54/27	275%	S, US
20	900	4	324T	LM28137	C/A	8,777	SD4P20T3006ET1	471	30	200	62	275%	S, US
25	1800	4	284T	LM30720	C/A	6,012	SD4P25T61ET1	350	60	230/460	64/32	250%	S, US
25	1800	4	284T	LM30721	C/A	6,012	SD4P25T62ET1	350	60	200	73.5	250%	S, US
25	1200	6	324T	LM28138	C/A	9,581	SD6S25T61YET1	505	60	230/460	64/32	250%	S, US
25	1200	6	324T	LM28139	C/A	9,581	SD6P25T6006ET1	505	60	200	73.5	250%	S, US
25	1200	4	324T	LM28140	C/A	7,747	SD4P25T41ET1	472	40	230/460	65/32.5	275%	S, US
25	1200	4	324T	LM28141	C/A	7,747	SD4P25T4006ET1	472	40	200	74.5	275%	S, US
25	900	4	326T	LM28142	C/A	9,968	SD4P25T31ET1	538	30	230/460	64/32	275%	S, US
25	900	4	326T	LM28143	C/A	9,968	SD4P25T3006YET1	525	30	200	73.5	275%	S, US
30	1800	4	286T	LM30722	C/A	6,988	SD4P30T61ET1	400	60	230/460	72/36	250%	S, US
30	1800	4	286T	LM30723	C/A	6,988	SD4P30T62ET1	400	60	200	83	250%	S, US
30	1200	6	326T	LM27976	C/A	11,581	SD6S30T61YET1	535	60	230/460	76/38	225%	S, US
30	1200	6	326T	LM28144	C/A	10,690	SD6S30T6006YET1	552	60	200	87.4	225%	S, US
30	1200	4	326T	LM28145	C/A	9,785	SD4P30T41ET1	516	40	230/460	74/37	275%	S, US
30	1200	4	326T	LM28146	C/A	9,785	SD4P30T4006ET1	516	40	200	85	275%	S, US
30	900	4	364T	LM28147	C/A	11,975	SD4P30T31ET1	575	30	230/460	74/37	275%	S, US
30	900	4	364T	LM28148	C/A	11,975	SD4P30T3006ET1	575	30	200	85	275%	S, US
40	1800	4	324T	LM30724	C/A	8,003	SD4P40T61ET1	470	60	230/460	98/49	250%	S, US
40	1800	4	324T	LM30725	C/A	8,003	SD4P40T62ET1	470	60	200	113	250%	S, US
40	1200	6	364T	LM28149	✓	13,513	SD6S40T61YET1	755	60	230/460	98/49	250%	S, US
40	1200	6	364T	LM28150	C/A	13,513	SD6S40T6006YET1	755	60	200	113	250%	S, US
40	1200	4	364T	LM28151	C/A	11,975	SD4P40T41ET1	715	40	230/460	95/47.5	275%	S, US
40	1200	4	364T	LM28152	C/A	11,975	SD4P40T4006ET1	715	40	200	109	275%	S, US
40	900	4	365T	LM28153	C/A	13,342	SD4P40T31ET1	783	30	230/460	97/48.5	275%	S, US
40	900	4	365T	LM28154	C/A	13,342	SD4P40T3006ET1	783	30	200	112	275%	S, US
50	1800	4	326T	LM30647	C/A	8,928	SD4P50T61ET1	522	60	230/460	121/60.5	250%	S, US
50	1800	4	326T	LM30648	C/A	8,928	SD4P50T6006ET1	522	60	200	139	250%	S, US
50	1200	6	365T	LM28155	C/A	13,881	SD6S50T61YET1	800	60	230/460	129/64.5	275%	S, US
50	1200	6	365T	LM28156	C/A	13,881	SD6S50T6006YET1	800	60	200	148	275%	S, US
50	1200	4	365T	LM28157	C/A	13,342	SD4P50T41ET1	765	40	230/460	120/60	275%	S, US
50	1200	4	365T	LM28158	C/A	13,342	SD4P50T4006ET1	765	40	200	138	275%	S, US
50	900	4	405T	LM28159	C/A	15,649	SD4P50T31ET1	964	30	230/460	117/58.5	275%	S, US
50	900	4	405T	LM28160	C/A	17,733	SD4S50T3006YET1	964	30	200	138	275%	S, US
60	1800	4	364T	LM30649	C/A	10,992	SD4P60T61ET1	715	60	230/460	140/70	—	S, US
60	1800	4	364T	LM30650	C/A	10,992	SD4P60T6006ET1	715	60	200	161	—	S, US
60	1200	6	404T	LM28161	C/A	15,699	SD6P60T61YET1	888	60	230/460	167/83.5	250%	S, US
60	1200	6	404T	LM28162	C/A	15,699	SD6P60T6006YET1	888	60	200	192	250%	S, US

C/A - Check Availability

♥ Note listing on inside back flap
Specifications are subject to change without notice



Pump Motors
Washguard Motors
Agricultural Duty Motors
HVAC / Fan Motors
Special Voltage Motors
Definite Purpose Motors
Brake Motors
IEC Motors
DC Motors

Definite Purpose Motors

Lincoln Motors™ VVVF (Variable Voltage-Variable Frequency) Traction Elevator Hoist Motors

Three Phase - Drip-Proof - C Face Less Base - with Encoder - F1 Conduit Box 80 Starts Per Hour

HP	SYN RPM	No. of Poles	TC Frame	Catalog Number	Stock	List Price	Model Number	App. Wgt. (lbs)	HZ	Voltage	FL. Amps	Rated Accel. Torque	♥Notes
7 1/2	1200	6	254TC	LM28200	√	4,635	SD6P7.5TCN61ET1	150	60	230/460	19/9.5	225%	S, US
7 1/2	1200	6	254TC	LM28201	√	4,635	SD6P7.5TCN6006ET1	150	60	200	276	225%	S, US
7 1/2	1200	4	254TC	LM30655	C/A	4,547	SD4P7.5TCN41ET1	145	40	230/460	19/9.5	275%	S, US
7 1/2	1200	4	254TC	LM30663	C/A	4,547	SD4P7.5TCN4006ET1	145	40	200	22	275%	S, US
7 1/2	900	4	256TC	LM28202	C/A	5,036	SD4P7.5TCN31ET1	225	30	230/460	19.6/9.8	275%	S, US
7 1/2	900	4	256TC	LM28203	C/A	5,036	SD4P7.5TCN3006ET1	225	30	200	23	275%	S, US
10	1200	6	256TC	LM28204	√	5,136	SSD6P10TCN61ET1	202	60	230/460	29/14.5	250%	S, US
10	1200	6	256TC	LM28205	√	5,136	SD6P10TCN6006ET1	202	60	200	33.5	250%	S, US
10	1200	4	256TC	LM30732	C/A	5,036	SD4P10TCN41ET1	230	40	230/460	19/9.5	275%	S, US
10	1200	4	256TC	LM30733	C/A	5,036	SD4P10TCN4006ET1	230	40	200	22	275%	S, US
10	900	4	284TC	LM28206	C/A	6,036	SD4P10TCN31ET1	355	30	230/460	19.6/9.8	330%	S, US
10	900	4	284TC	LM28207	C/A	6,036	SD4P10TCN3006ET1	355	30	200	23	330%	S, US
12 1/2	1200	6	284TC	LM30734	C/A	6,505	SD4P12.5TCN61ET1	305	60	230/460	51/25.5	300%	S, US
12 1/2	1200	6	284TC	LM30735	√	6,505	SD4P12.5TCN6006ET1	305	60	200	47	300%	S, US
12 1/2	900	4	284TC	LM30736	C/A	6,532	SD4P12.5TCN3006ET1	355	30	230/460	34/17	300%	S, US
12 1/2	900	4	284TC	LM30737	C/A	6,532	SD4P12.5TCN3006ET1	355	30	200	38.5	300%	S, US
15	1800	4	256TC	LM30748	C/A	4,850	SD4P15TCN61ET1	220	60	230/460	45/22.5	—	S, US
15	1800	4	256TC	LM30749	C/A	4,850	SD4P15TCN6006ET1	220	60	200	—	—	S, US
15	1200	6	284TC	LM28208	C/A	7,074	SD6P15TCN61ET1	330	60	230/460	49/24.5	300%	S, US
15	1200	6	284TC	LM28209	C/A	7,074	SD6S15TCN6006YET1	330	60	200	56.5	300%	S, US
15	1200	4	284TC	LM30750	C/A	6,036	SD4P15TCN41ET1	355	40	230/460	40/20	330%	S, US
15	1200	4	284TC	LM30751	C/A	6,036	SD4P15TCN4006ET1	355	40	200	46	330%	S, US
15	900	4	286TC	LM28210	C/A	7,027	SD4P15TCN31ET1	388	30	230/460	40/20	300%	S, US
15	900	4	286TC	LM28211	C/A	7,963	SD4S15TCN3006ET1	388	30	200	46	300%	S, US
20	1800	4	256TC	LM30752	C/A	5,642	SD4P20TCN61ET1	249	60	230/460	—	—	S, US
20	1800	4	256TC	LM30753	C/A	5,642	SD4P20TCN6006ET1	249	60	200	62	—	S, US
20	1200	6	286TC	LM28212	C/A	8,489	SD6S20TCN61YET1	379	60	230/460	61/30.5	275%	S, US
20	1200	6	286TC	LM28213	C/A	8,489	SD6S20TCN6006YET1	379	60	200	70	275%	S, US
20	1200	4	286TC	LM30739	C/A	7,028	SD4P20TCN41ET1	396	40	230/460	52/26	330%	S, US
20	1200	4	286TC	LM30740	C/A	7,028	SD4P20TCN6006ET1	396	40	200	60	330%	S, US
20	900	4	324TC	LM28214	C/A	7,898	SD4P20TCN31ET1	480	30	230/460	54/27	275%	S, US
20	900	4	324TC	LM28215	C/A	9,209	SD4S20TCN3006YET1	480	30	200	62	275%	S, US
25	1800	4	284TC	LM31607	C/A	7,175	SD4P25TCN61ET1	355	60	230/460	64/32	250%	S, US
25	1800	4	284TC	LM30760	C/A	6,332	SD4P25TCN6006ET1	355	60	200	75	250%	S, US
25	1200	6	324TC	LM28216	C/A	10,311	SD6S25TC61YET1	499	60	230/460	64/32	250%	S, US
25	1200	6	324TC	LM28217	C/A	9,100	SD6P25TCN6006ET1	499	60	200	73.5	250%	S, US
25	1200	4	324TC	LM30754	C/A	8,128	SD4P25TCN41ET1	480	40	230/460	65/32.5	275%	S, US
25	1200	4	324TC	LM30755	C/A	8,128	SD4P25TCN4006ET1	480	40	200	74.8	275%	S, US
25	900	4	326TC	LM28218	C/A	9,782	SD4P25TCN31ET1	533	30	230/460	64/32	275%	S, US
25	900	4	326TC	LM28219	C/A	11,083	SD4P25TCN3006ET1	533	30	200	73.5	275%	S, US

C/A - Check Availability

♥ Note listing on inside back flap
Specifications are subject to change without notice



Three Phase - Drip-Proof - C Face Less Base - with Encoder - F1 Conduit Box 80 Starts Per Hour

HP	SYN RPM	No. of Poles	TC Frame	Catalog Number	Stock	List Price	Model Number	App. Wgt. (lbs)	HZ	Voltage	FL. Amps	Rated Accel. Torque	♥Notes
30	1800	4	286TC	LM30702	C/A	8,459	SD4S30TCN61YET1	397	60	230/460	72/36	250%	S, US
30	1800	4	286TC	LM30762	C/A	8,459	SD4P30TCN6006ET1	397	60	200	83	250%	S, US
30	1200	6	326TC	LM27971	C/A	11,838	SD6S30TCN61YET1	537	60	230/460	76/38	225%	S, US
30	1200	6	326TC	LM28220	C/A	11,838	SD6S30TCN6006YET1	557	60	200	87.5	225%	S, US
30	1200	4	326TC	LM30756	C/A	9,324	SD4P30TCN41ET1	532	40	230/460	74/37	275%	S, US
30	1200	4	326TC	LM30757	C/A	9,324	SD4P30TCN4006ET1	532	40	200	85	275%	S, US
30	900	4	364TC	LM28221	C/A	13,106	SD4P30TCN31ET1	720	30	230/460	74/37	275%	S, US
30	900	4	364TC	LM28222	C/A	13,106	SD4P30TCN3006ET1	720	30	200	85	275%	S, US
40	1800	4	324TC	LM30763	C/A	9,828	SD4P40TCN61ET1	480	60	230/460	100/50	250%	S, US
40	1800	4	324TC	LM30764	C/A	9,828	SD4P40TCN6006ET1	480	60	200	113	250%	S, US
40	1200	6	364TC	LM28223	√	14,372	SD6P40TCN61ET1	724	60	230/460	98/49	250%	S, US
40	1200	6	364TC	LM28224	C/A	14,372	SD6P40TCN6006ET1	724	60	200	113	250%	S, US

C/A - Check Availability

♥ Note listing on inside back flap
Specifications are subject to change without notice

Encoder Pigtail Kits for VVVF Elevator Duty Motors

Applications:

Encoder pigtail kits are used to extend the length of the existing encoder leads.

Catalog Number	Stock	Description	List Price
LM30561	√	30 ft. encoder cable kit	1,030
LM31752	√	40 ft. encoder cable kit	1,030
LM30881	√	50 ft. encoder cable kit	1,218

Specifications are subject to change without notice



Pump Motors

Washguard Motors

Agricultural Duty Motors

HVAC / Fan Motors

Special Voltage Motors

Definite Purpose Motors

Brake Motors

IEC Motors

DC Motors

Definite Purpose Motors

Lincoln Motors™ Submersible Hydraulic Elevator Pump Motors

Pump Motors

Washguard Motors

Agricultural Duty Motors

HVAC / Fan Motors

Special Voltage Motors

Definite Purpose Motors

Brake Motors

IEC Motors

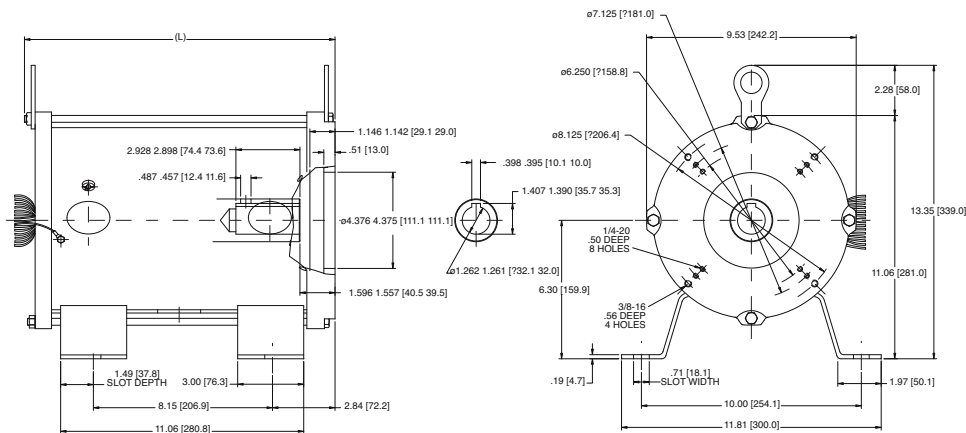
DC Motors

Application Notes:

These motors are designed to meet the demands in the hydraulic elevator pump industry. Our submersible hydraulic pump elevator motors are ready to be placed in elevator systems for applications in hydraulic pump passenger, service, freight and low-rise elevators. Rated up to 6 floors at speeds up to 200 fpm.

Features:

- Intermittent duty
- Suitable for Wye-Delta starters
- 1.0 service factor and 70°C ambient rated
- Three bolt circles, 12 mounting holes, and face mounting to accept both the IMO and Allweiler pumps
- 10 foot long leads, spliced 40 inches from motor to prevent wicking of hydraulic fluid
- Thermostat leads are marked P1 and P2
- Class F insulation
- Two stainless steel nameplates, one shipped separate for remote mount
- UL recognized component listing and CSA approved



See Next Page



Definite Purpose Motors

Lincoln Motors™ Submersible Hydraulic Elevator Pump Motors

Three Phase - Open Submersible - Rigid Base

HP	RPM 60 HZ	Frame	Catalog Number	Stock	List Price	Model Number	App. Wgt. (lbs)	Voltage	KVA Code	FL Amps	Locked Rotor Amps	FL. EFF.	♥Notes
15	3600	160Z	LM29656	✓	1,454	SD2S15Z6006YEH3	110	200	H	53	268	72.2	S, CN
15	3600	160Z	LM29657	✓	1,454	SD2S15Z61YEH3	110	208-230/460	H	46/23	250/125	72.2	S, CN
15	3600	160Z	LM29658	✓	1,454	SD2S15Z65YEH3	110	575	H	18,4	100	72.2	S, CN
20	3600	160Z	LM29659	✓	1,489	SD2S20Z6006YEH3	112	200	G	61	363	76.4	S, CN
20	3600	160Z	LM29660	✓	1,489	SD2S20Z61YEH3	112	208-230/460	G	56/28	316/158	76.4	S, CN
20	3600	160Z	LM29661	✓	1,489	SD2S20Z65YEH3	112	575	G	22,4	126	76.4	S, CN
25	3600	160Z	LM29662	✓	1,623	SD2S25Z6006YEH3	135	200	G	77	416	79.0	S, CN
25	3600	160Z	LM29663	✓	1,623	SD2S25Z61YEH3	115	208-230/460	G	63/31.5	364/182	79.0	S, CN
25	3600	160Z	LM29664	✓	1,623	SD2S25Z65YEH3	115	575	G	25.2	146	79.0	S, CN
30	3600	160Z	LM29665	✓	1,810	SD2S30Z6006YEH3	119	200	G	92	499	79.9	S, CN
30	3600	160Z	LM29666	✓	1,810	SD2S30Z61YEH3	129	208-230/460	G	80/40	434/217	79.9	S, CN
30	3600	160Z	LM29667	✓	1,810	SD2S30Z65YEH3	119	575	G	32	174	79.9	S, CN
40	3600	160Z	LM29668	✓	2,318	SD2S40Z6006YEH3	132	200	G	115	667	84.0	S, CN
40	3600	160Z	LM29669	✓	2,318	SD2S40Z61YEH3	132	208-230/460	G	100/50	580/290	84.0	S, CN
40	3600	160Z	LM29670	✓	2,318	SD2S40Z65YEH3	132	575	G	40	232	84.0	S, CN
50	3600	160Z	LM29671	✓	2,644	SD2S50Z6006YEH3	143	200	H	140	550	84.0	S, CN
50	3600	160Z	LM29672	✓	2,644	SD2S50Z61YEH3	143	208-230/460	H	122/61	478/239	84.0	S, CN
50	3600	160Z	LM29673	✓	2,644	SD2S50Z65YEH3	171	575	H	49	191	84.0	S, CN

♥ Note listing on inside back flap
Specifications are subject to change without notice

Conversion Kit

L32 Kit Information:

Used to adapt the Lincoln Motors Submersible Elevator motors to some IMO and Allweiler Pumps. Kit includes necessary through-bolts to mount this kit to these motors

L32 Bracket Conversion Kit

Catalog Number	Desc. Sym	App. Wgt. (lbs)	List Price
LM31777	A	12	717

Specifications are subject to change without notice

Allweiler is believed to be the trademark of Allweiler AG Group, and are not owned or controlled by Regal Beloit Corporation.

IMO is believed to be the trademark of IMO Industries Inc., and are not owned or controlled by Regal Beloit Corporation.



Pump Motors
 Washguard Motors
 Agricultural Duty Motors
 HVAC / Fan Motors
 Special Voltage Motors
 Definite Purpose Motors
 Brake Motors
 IEC Motors
 DC Motors

Definite Purpose Motors

Unit Handling Motors

Application Notes:

Unit and baggage handling, conveyors, packaging equipment machine tools, elevators and door openers where a conduit box at 12:00 position is needed due to mounting size restrictions.



Features:

- Low profile conduit box at the 12:00 position
- Base includes both 56H and 143-5T mounting holes and slots

Single Phase - TEFC - Rigid C Face

HP	RPM 60 Hz	NEMA Frame	Catalog Number	Stock	List Price	Model Number	App. Wgt. (lbs)	Voltage	F. L. Amps @ 230 V	Service Factor	"C" Dim. (Inches)	♥Notes
1/2	1800	56C	117701.00	√	571	C6C17FK92	25	115/208-230	4.4	1.15	12.48	S, US
3/4	1800	56C	117702.00	√	620	C6C17FK94	29	115/208-230	5.4	1.15	12.48	S, US
1	1800	56C	117703.00	√	673	C6C17FK93	32	115/208-230	6.4	1.15	12.48	S, US

Specifications are subject to change without notice

♥ Note listing on inside back flap

Single Phase - TEFC - C Face Less Base

HP	RPM 60 Hz	NEMA Frame	Catalog Number	Stock	List Price	Model Number	App. Wgt. (lbs)	Voltage	F. L. Amps @ 230 V	Service Factor	"C" Dim. (Inches)	♥Notes
1/2	1800	56C	117704.00	√	548	C6C17FC175	21	115/208-230	4.4	1.15	10.98	S, US
3/4	1800	56C	117705.00	√	599	C6C17FC176	27	115/208-230	5.4	1.15	11.48	S, US
1	1800	56C	117706.00	√	644	C6C17FC177	30	115/208-230	6.4	1.15	11.98	S, US

Specifications are subject to change without notice

♥ Note listing on inside back flap

Three Phase - TEFC - Rigid C Face

HP	RPM 60 Hz	NEMA Frame	Catalog Number	Stock	List Price	Model Number	App. Wgt. (lbs)	Voltage	F. L. Amps @ 230 V	% FL. Eff.	Service Factor	"C" Dim. (Inches)	♥Notes
1/2	1800	56C	117707.00	√	577	C6T17FK99	23	208-230/460	2.0	74.0	1.15	12.48	S, US
3/4	1800	56C	117708.00	√	611	C6T17FK100	26	208-230/460	2.8	77.0	1.15	12.48	S, US
1	1800	56C	119553.00	√	828	C6T17FK114	36	230/460	3.4	85.5	1.15	12.81	S, US
1	1800	143TC	121982.00	√	876	C143T17FK23	40	230/460	3.4	85.5	1.15	12.92	S, US
1 1/2	1800	56C	117710.00	D	653	C6T17FK102	33	230/460	5.0	78.5	1.15	12.48	S, US
1 1/2	1800	56C	119554.00	√	900	C6T17FK115	47	230/460	5.6	86.5	1.15	13.31	S, US
1 1/2	1800	143TC	121983.00	√	927	C143T17FK24	41	230/460	5.6	86.5	1.15	13.42	S, US
2	1800	145TC	121984.00	√	1,109	C145T17FK65	48	230/460	5.8	86.5	1.15	13.92	S, US

Green items are Premium Efficient

D - Item to be discontinued once inventory is depleted

♥ Note listing on inside back flap

Specifications are subject to change without notice

Three Phase - TEFC - C Face Less Base

HP	RPM 60 Hz	NEMA Frame	Catalog Number	Stock	List Price	Model Number	App. Wgt. (lbs)	Voltage	F. L. Amps @ 230 V	% FL. Eff.	Service Factor	"C" Dim. (Inches)	♥Notes
1/2	1800	56C	117711.00	√	518	C6T17FC226	20	208-230/460	2.0	74.0	1.15	10.48	S, US
3/4	1800	56C	117712.00	√	553	C6T17FC227	24	208-230/460	2.8	77.0	1.15	10.48	S, US
1	1800	56C	119555.00	√	807	C6T17FC259	34	230/460	3.4	85.5	1.15	12.81	S, US
1	1800	143TC	122234.00	√	856	C143T17FC45	37	230/460	3.4	85.5	1.15	13.25	S, US
1 1/2	3600	56C	117714.00	D	647	C6T34FC107	29	208-230/460	4.2	78.5	1.15	11.48	S, US
1 1/2	3600	56C	119556.00	√	883	C6T34FC139	29	230/460	4.8	86.5	1.15	13.31	S, US
1 1/2	1800	143TC	122235.00	√	905	C145T17FC138	45	230/460	4.8	86.5	1.15	13.42	S, US
2	1800	145TC	122258.00	√	1,003	C145T17FC136	47	208-230/460	6.5	86.5	1.15	13.92	S, US

Green items are Premium Efficient

D - Item to be discontinued once inventory is depleted

♥ Note listing on inside back flap

Specifications are subject to change without notice

Specifications:

These motors comply to the EAct mandates of 1997, but do not comply with EISA mandates of Dec. 2010. They are not intended for use in the USA, and can be used on machinery that is exported out of the USA

Three Phase - TEFC - Rigid Base

HP	RPM 60 Hz	NEMA Frame	Catalog Number	Stock	List Price	App. Wgt. (lbs)	Voltage	% FL. EFF.	♥Notes
1	1725	143T	EXG120014.00	C/A	621	31	230/460	82.5	S, US
1	1725	143T	EXG151696.60	C/A	665	49	230/460	84.0	C, CN
1 1/2	3450	145T	EXG120086.00	C/A	685	45	230/460	82.5	S, US
1 1/2	3450	143T	EXG151698.60	C/A	735	45	230/460	82.5	C, CN
1 1/2	1725	145T	EXG120015.00	C/A	627	36	230/460	84.0	S, US
1 1/2	1725	145T	EXG151702.60	C/A	673	53	230/460	85.5	C, CN
2	3450	145T	EXG120088.00	C/A	787	45	230/460	84.0	S, US
2	3450	145T	EXG151704.60	C/A	844	49	230/460	84.0	C, CN
2	1725	145T	EXG120016.00	C/A	720	46	230/460	84.0	S, US
2	1725	145T	EXG151703.60	C/A	714	56	230/460	85.5	C, CN
3	3450	145T	EXG120185.00	C/A	901	42	230/460	85.5	S, US
3	3450	182T	EXG130099.00	C/A	964	60	230/460	85.5	S, MX
3	3510	182T	EXG151563.60	C/A	1,036	93	230/460	85.5	C, CN
3	1740	182T	EXG130008.00	C/A	785	68	230/460	87.5	S, MX
3	1750	182T	EXG151320.60	C/A	1,012	94	230/460	87.5	C, CN
5	3500	184T	EXG150299.60	C/A	1,046	100	230/460	87.5	C, CN
5	3450	184T	EXG130101.00	C/A	1,111	73	230/460	87.5	S, MX
5	1740	184T	EXG130027.00	C/A	905	80	230/460	87.5	S, MX
5	1750	184T	EXG151322.60	C/A	1,104	101	230/460	87.5	C, CN
7 1/2	3450	184T	EXG131082.00	C/A	1,237	91	230/460	88.5	S, MX
7 1/2	3450	213T	EXG130103.00	C/A	1,271	101	230/460	88.5	S, MX
7 1/2	3450	213T	EXG150158.60	C/A	1,383	150	230/460	88.5	C, CN
7 1/2	1740	213T	EXG140578.00	C/A	1,210	144	230/460	89.5	S, MX
7 1/2	1750	213T	EXG150157.60	C/A	1,246	153	230/460	89.5	C, CN
10	3510	215T	EXG140686.00	C/A	1,628	126	230/460	89.5	S, MX
10	3510	215T	EXG150159.60	C/A	1,652	167	230/460	89.5	C, CN
10	1740	215T	EXG140489.00	C/A	1,312	167	230/460	89.5	S, MX
10	1750	215T	EXG150140.60	C/A	1,403	176	230/460	89.5	C, CN
15	3510	215T	EXG140687.00	C/A	2,042	140	230/460	90.2	S, MX
15	3510	215T	EXG151317.60	C/A	2,145	168	230/460	90.2	C, CN
15	3525	254T	EXG150062.60	C/A	2,211	260	230/460	90.2	C, CN
15	1770	254T	EXG150066.60	C/A	2,212	284	230/460	91.0	C, CN
20	3525	256T	EXG150033.60	C/A	3,008	296	230/460	90.2	C, CN
20	1750	256T	EXG150007.60	C/A	2,801	321	230/460	91.0	C, CN
25	3525	256T	EXG151318.60	C/A	3,443	307	230/460	91.0	C, CN
25	3550	284TS	EXG150035.60	C/A	3,530	349	230/460	91.0	C, CN
25	1770	284T	EXG150011.60	C/A	3,204	370	230/460	92.4	C, CN
30	1770	286T	EXG150015.60	C/A	3,896	428	230/460	92.4	C, CN
40	1780	324T	EXG150019.60	C/A	5,029	528	230/460	93.0	C, CN
50	1780	326T	EXG150023.60	C/A	6,200	561	230/460	93.0	C, CN
60	1780	364T	EXG150027.60	C/A	9,053	687	230/460	93.6	C, CN
75	1780	365T	EXG150031.60	C/A	10,452	723	230/460	94.1	C, CN
100	1780	405T	EXG150087.60	C/A	14,452	1050	230/460	94.5	C, CN
125	1780	444T	EXG151369.60	C/A	18,641	1920	460	94.5	C, CN
150	1790	445T	EXG151371.60	C/A	20,916	1900	460	95.0	C, CN
200	1790	447T	EXG150352.60	C/A	26,663	2053	460	95.0	C, CN

Shaded model numbers are cast iron frame

♥ Note listing on inside back flap
Specifications are subject to change without notice

C/A - Check Availability



Pump Motors

Washguard Motors

Agricultural Duty Motors

HVAC / Fan Motors

Special Voltage Motors

Definite Purpose Motors

Brake Motors

IEC Motors

DC Motors

Definite Purpose Motors

Export Only Motors - Three Phase - EAct and Standard Efficiency

Three Phase - TEFC - C Face With Base

HP	RPM 60 Hz	NEMA Frame	Catalog Number	Stock	List Price	App. Wgt. (lbs)	Voltage	% FL. EFF.	♥Notes
1	1740	145TC	EXG121286.00	C/A	729	35	230/460	82.50	S, US
1 1/2	1725	145TC	EXG121287.00	C/A	728	37	230/460	84.00	S, US
2	1725	145TC	EXG120276.00	C/A	763	45	230/460	84.00	S, US
3	1760	182TC	EXG130326.00	C/A	945	68	230/460	87.50	S, MX
3	1750	182TC	EXG151565.60	C/A	1,096	94	230/460	87.50	C, CN
5	1760	184TC	EXG130328.00	C/A	1,084	81	230/460	87.50	S, MX
5	1750	184TC	EXG151566.60	C/A	1,202	101	230/460	87.50	C, CN
7 1/2	1740	213TC	EXG140183.00	C/A	1,299	153	230/460	89.50	S, MX
7 1/2	1760	213TC	EXG150165.60	C/A	1,372	156	230/460	89.50	C, CN
10	1740	215TC	EXG140147.00	C/A	1,520	162	230/460	89.50	S, MX
10	1760	215TC	EXG150167.60	C/A	1,616	178	230/460	89.50	C, CN
15	1770	254TC	EXG150102.60	C/A	2,317	268	230/460	91.00	C, CN
20	1770	256TC	EXG150080.60	C/A	2,828	321	230/460	91.00	C, CN
25	1770	284TC	EXG150081.60	C/A	3,648	387	230/460	92.40	C, CN
30	1770	286TC	EXG150082.60	C/A	4,032	433	230/460	92.40	C, CN
40	1780	324TC	EXG150083.60	C/A	5,502	572	230/460	93.00	C, CN
50	1780	326TC	EXG150084.60	C/A	6,378	631	230/460	93.00	C, CN
60	1780	364TC	EXG150085.60	C/A	9,620	699	230/460	93.60	C, CN
75	1780	365TC	EXG150086.60	C/A	12,202	757	230/460	94.10	C, CN
100	1780	405TC	EXG151680.60	C/A	15,263	1100	230/460	94.50	C, CN

Shaded model numbers are cast iron frame

♥ Note listing on inside back flap
Specifications are subject to change without notice

C/A - Check Availability

Three Phase - TEFC - C Face Less Base

HP	RPM 60 Hz	NEMA Frame	Catalog Number	Stock	List Price	App. Wgt. (lbs)	Voltage	% FL. EFF.	♥Notes
1	1725	143TC	EX120024.00	C/A	603	26	230/460	77.00	S, US
1 1/2	1725	145TC	EX120037.00	C/A	619	32	230/460	80.00	S, US
2	1725	145TC	EX120038.00	C/A	663	35	230/460	81.50	S, US
3	1725	145TC	EX121035.00	C/A	877	44	230/460	82.50	S, US
3	1740	182TC	EX131491.00	C/A	842	52	230/460	82.50	S, MX
5	1725	184TC	EX131492.00	C/A	964	64	230/460	82.50	S, MX
7 1/2	1740	184TC	EX131606.00	C/A	1,238	66	230/460	87.00	S, MX
7 1/2	1740	213TC	EX151346.60	C/A	1,342	162	230/460	87.90	C, CN
7 1/2	1750	S213TC	EX131528.00	C/A	1,238	102	230/460	87.00	S, MX
10	1740	215TC	EX140109.00	C/A	1,484	141	230/460	89.50	S, MX
10	1750	215TC	EX151348.60	C/A	1,580	185	230/460	88.40	C, CN
15	1760	254TC	EX151350.60	C/A	2,244	284	230/460	90.00	C, CN
20	1760	256TC	EX151352.60	C/A	2,828	270	230/460	91.20	C, CN
25	1760	284TC	EX151507.60	C/A	3,564	390	230/460	91.30	C, CN
30	1760	286TC	EX151508.60	C/A	4,283	411	230/460	91.50	C, CN
40	1760	324TC	EX151509.60	C/A	5,478	548	230/460	92.10	C, CN
50	1760	326TC	EX151510.60	C/A	6,322	594	230/460	92.40	C, CN
60	1760	364TC	EX151519.60	C/A	9,500	778	230/460	92.70	C, CN

Shaded model numbers are cast iron frame

♥ Note listing on inside back flap
Specifications are subject to change without notice

C/A - Check Availability



CUSTOMER CARE—BUILT ON CUSTOMER INPUT.

Our customer care process revolves around one thing—listening—before, during and after your purchase. Regal sales representatives are ready to assist you 24/7 with product, technical and service support needs.



TRUST REGAL® DESIGN AND MANUFACTURING EXPERIENCE TO DELIVER **THE PERFECT SOLUTION** FOR YOUR APPLICATION.

MORE THAN 100 YEARS OF LARGE MOTOR EXPERTISE.

For over a century, dedicated Regal specialists have provided large motor solutions for countless industries and applications. This expertise ensures you receive the best product—stock or custom—for your unique installation. Tap our sales, technical and support teams to configure the perfect solution for your mission-critical application.

BROAD STOCK PRODUCT PORTFOLIO ENSURES RAPID RESPONSE.

Regal carries a broad range of stock products across an extensive network of distribution centers to help deliver the right product at the right time. Trust Regal to deliver solutions that help you stay up and running.

MODULAR MANUFACTURING DELIVERS APPLICATION SPECIFIC PRODUCTS FASTER.

Our modular manufacturing design approach enables the configuration of products in compressed time frames. Get the product that meets your specifications without compromising features or functionality.

ACCESSORIES ENABLE CUSTOMIZED SOLUTIONS.

An extensive range of specialized motor accessories helps deliver flexible, application-specific solutions. From overload protection, voltage surge protection to vibration protection, your trusted Regal representative will help you design the ideal large motor for your needs.



Pump Motors

Washguard Motors

Agricultural Duty Motors

HVAC / Fan Motors

Special Voltage Motors

Definite Purpose Motors

Brake Motors

IEC Motors

DC Motors

Brakemotors

Pump
Motors

Washguard
Motors

Agricultural
Duty Motors

HVAC / Fan
Motors

Special Voltage
Motors

Definite
Purpose Motors

Brake Motors

IEC Motors

DC Motors



Features:

- Fail-safe positive stop and holding brakes
- Load stops automatically when power is turned off
- Manual brake release designs
- Dual voltage brake coils
- Single and three phase models
- Washguard models
- Brake kits available
- Coupler brake kits available
- High cycle models available
- IEC brakemotors - see page 281 - NEW!

Applications:

For use where quick response stopping and holding is required in the application, which may include conveyors, hoists, packaging equipment etc.



Single Phase - TENV/TEFC - C Face With Base

HP	SYN RPM 60 Hz	NEMA Frame	Brake Rating (ft-lbs)	Catalog Number	Stock	List Price	Model Number	App. Wgt. (lbs)	Voltage	F. L. Amps @ 230V	Service Factor	"C" Dim. (Inches)	♥Notes
1/3	1800	56C	3	114165.00	√	1,233	C6C17NK19	31	115/208-230	2.9	1.15	14.06	S, US, 12
1/2	1800	56C	3	111950.00	√	1,331	C6C17FK20	32	115/208-230	4.4	1.00	15.73	S, US, 13
3/4	1800	56C	6	114167.00	√	1,751	C6C17FK50	40	115/208-230	5.4	1.15	16.23	S, US, 13
1	1800	56C	6	111951.00	√	1,854	C6K17FK21	40	115/208-230	5.3	1.00	16.73	S, US, 13, 53
1 1/2	1800	145TC	10	121815.00	√	1,963	C145K17FK17	40	115/208-230	8.6	1.00	18.23	S, US, 13, 53
2	1800	145TC	10	121816.00	√	2,011	C145K17FK16	55	115/208-230	9.2	1.00	19.23	S, US, 13, 53

Note 12 - TENV
Note 13 - TEFC

♥ Note listing on inside back flap
Specifications are subject to change without notice

Three Phase - Drip-Proof - Rigid Base

HP	SYN RPM 60 Hz	NEMA Frame	Brake Rating (ft-lbs)	Catalog Number	Stock	List Price	Model Number	App. Wgt. (lbs)	Voltage	F. L. Amps @ 230V	% F.L. EFF.	Service Factor	"C" Dim. (Inches)	♥Notes
1/2	1800	56	3	114162.00	C/A	1,199	C6T17DB46	31	208-230/460	2.0	74.0	1.25	13.56	S, US
3/4	1800	56	6	114163.00	C/A	1,400	C6T17DB47	32	208-230/460	2.8	77.0	1.25	14.06	S, US
1	1800	56	6	114164.00	C/A	1,524	C6T17DB48	35	208-230/460	4.2	78.5	1.15	14.06	S, US
1 1/2	1800	145T	10	122237.00	C/A	1,870	C145T17DB84	44	230/460	4.8	86.5	1.15	16.50	S, US
2	1800	145T	10	122238.00	√	2,095	C145T17DB82	54	208-230/460	5.8	86.5	1.15	17.00	S, US
3	1800	182T	15	132468.00	C/A	2,588	C182T17DB64	69	230/460	8.0	89.5	1.15	16.89	S, MX
5	1800	184TC	25	132469.00	C/A	3,253	C184T17DB86	101	230/460	12.6	89.5	1.15	17.89	S, MX
7 1/2	1800	213T	35 ♦	140611.00	√	3,957	C213T17DB17	137	230/460	20.8	91.0	1.15	24.50	S, MX
10	1800	215T	50 ♦	140635.00	√	5,002	C215T17DB35	145	208-230/460	26.8	91.7	1.15	25.50	S, MX

Note: ♦ - 35 and 50 Ft-lb brakes - horizontal mounting only
All 180 and 210 frame rolled steel motors have Class F insulation

♥ Note listing on inside back flap
Specifications are subject to change without notice

Green items are Premium Efficient

C/A - Check availability



Three Phase - Drip-Proof - C Face Less Base

HP	SYN RPM 60 Hz	NEMA Frame	Brake Rating (ft-lbs)	Catalog Number	Stock	List Price	Model Number	App. Wgt. (lbs)	Voltage	F. L. Amps @ 230V	% F.L. EFF.	Service Factor	"C" Dim. (Inches)	♥Notes
1/2	1800	56C	3	114156.00	√	1,233	C6T17DC53	31	208-230/460	2.0	74.0	1.25	11.84	S, US
3/4	1800	56C	6	114157.00	√	1,437	C6T17DC55	32	208-230/460	2.8	77.0	1.25	11.84	S, US
1	1800	56C	6	114166.00	√	1,552	C6T17DC54	40	208-230/460	4.2	78.5	1.15	13.56	S, US
1	1800	143TC	6	121678.00	D	1,552	C143T17DC14	42	230/460	4.2	78.5	1.15	13.98	S, US
1	1800	143TC	6	122239.00	C/A	1,648	C143T17DC19	45	230/460	3.2	85.5	1.15	13.98	S, US
1 1/2	1800	145TC	10	122240.00	C/A	1,924	C145T17DC49	49	230/460	4.8	86.5	1.15	13.98	S, US
1 1/2	1800	56C	10	116766.00	√	1,806	C6T17DC83	43	230/460	5.6	78.5	1.15	13.98	S, US
2	1800	145TC	10	122241.00	√	2,168	C145T17DC50	53	230/460	5.8	86.5	1.15	13.98	S, US
3	1800	182TC	15	132470.00	√	2,687	C182T17DC22	69	230/460	8.0	89.5	1.15	11.24	S, MX
5	1800	184TC	25	132471.00	√	3,334	C184T17DC30	100	230/460	12.6	89.5	1.15	11.24	S, MX

Green items are Premium Efficient

D - Item to be discontinued once inventory is depleted
C/A - Check availability

♥ Note listing on inside back flap
Specifications are subject to change without notice

Brakemotors

Three Phase



Three Phase - Drip-Proof - C Face With Base

HP	SYN RPM 60 Hz	NEMA Frame	Brake Rating (ft-lbs)	Catalog Number	Stock	List Price	Model Number	App. Wgt. (lbs)	Voltage	F. L. Amps @ 230V	% FL. EFF.	Service Factor	"C" Dim. (Inches)	♥Notes
1/2	1800	56C	3	111326.00	C/A	1,242	C6T17DK7	31	208-230/460	2.0	74.0	1.25	13.56	S, US
3/4	1800	56C	6	111327.00	C/A	1,456	C6T17DK8	37	208-230/460	2.8	77.0	1.25	14.06	S, US
1	1800	56C	6	111328.00	√	1,573	C6T17DK9	42	208-230/460	4.2	78.5	1.15	14.06	S, US
1 1/2	1800	145TC	10	122242.00	C/A	1,898	C145T17DK30	53	230/460	4.8	86.5	1.15	17.00	S, US
2	1800	145TC	10	122243.00	C/A	2,137	C145T17DK28	53	208-230/460	5.8	86.5	1.15	17.50	S, US
3	1800	182TC	15	132472.00	C/A	2,973	C184T17DK45	87	230/460	8.0	89.5	1.15	13.39	S, MX
5	1800	184TC	25	132473.00	C/A	3,610	C184T17DK32	100	230/460	12.6	89.5	1.15	14.39	S, MX
7 1/2	1800	213TC	35	140610.00	C/A	4,180	C213T17DK17	118	230/460	20.0	91.0	1.15	26.89	S, MX
10	1800	215TC	50	140638.00	C/A	5,228	C215T17DK16	129	230/460	26.2	91.7	1.15	26.89	S, MX

Green items are Premium Efficient

C/A - Check availability

♥ Note listing on inside back flap

Specifications are subject to change without notice



Three Phase - TENV/TEFC - Rigid Base

HP	SYN RPM 60 Hz	NEMA Frame	Brake Rating (ft-lbs)	Catalog Number	Stock	List Price	Model Number	App. Wgt. (lbs)	Voltage	F. L. Amps @ 230V	% FL. EFF.	Service Factor	"C" Dim. (Inches)	♥Notes
1/3	1800	56	3	114151.00	C/A	1,171	C6T17NB51	31	208-230/460	1.3	72.0	1.15	13.56	S, US, 12
1/2	1800	56	3	114150.00	√	1,275	C6T17NB50	32	208-230/460	1.8	78.5	1.15	14.06	S, US, 12
1/2	1200	56	6	114149.00	C/A	1,760	C6T11FB16	36	208-230/460	2.4	70.0	1.15	15.73	S, US
3/4	1800	56	6	114147.00	√	1,493	C6T17FB79	37	208-230/460	2.8	77.0	1.15	15.23	S, US
1	1800	56	6	119561.00	C/A	1,780	C6T17FB194	50	230/460	3.2	85.5	1.15	17.23	S, US
1	1800	143T	6	122244.00	√	1,784	C143T17FB34	45	208-230/460	3.2	85.5	1.15	17.66	S, US
1	1200	145T	10	122245.00	√	2,512	C145T11FB22	55	230/460	3.8	82.5	1.15	18.16	S, US
1 1/2	1800	56	10	119562.00	√	1,997	C6T17FB196	50	230/460	4.8	86.5	1.15	17.73	S, US
1 1/2	1800	145T	10	122246.00	√	2,002	C145T17FB104	51	208-230/460	4.8	86.5	1.15	18.16	S, US
2	1800	145	10	122247.00	√	2,052	C145T17FB103	58	208-230/460	5.8	86.5	1.15	18.66	S, US
2	1200	184T	15	132474.00	√	3,402	C184T11FB31	75	230/460	6.4	88.5	1.15	15.82	S, MX
3	1800	182T	15	132475.00	√	2,804	C182T17FB59	85	230/460	7.8	89.5	1.15	14.82	S, MX
3	1200	213T	35	140601.00	√	5,088	C213T11FB6	185	230/460	9.0	89.5	1.15	25.12	S, MX
5	1800	184T	25	132476.00	√	3,467	C184T17FB74	105	230/460	12.6	89.5	1.15	15.82	S, MX
7 1/2	1800	213T	35	140603.00	√	4,383	C213T17FB24	195	230/460	21.6	91.7	1.15	27.50	S, MX
10	1800	215T	50	140636.00	√	5,014	C215T17FB33	259	230/460	26.8	91.7	1.15	29.00	S, MX

Green items are Premium Efficient

Note 12 - TENV

C/A - Check availability

♥ Note listing on inside back flap

Specifications are subject to change without notice





Brakemotors Three Phase

Three Phase - TEFC - C Face With Base

HP	SYN RPM 60 Hz	NEMA Frame	Brake Rating (ft-lbs)	Catalog Number	Stock	List Price	Model Number	App. Wgt. (lbs)	Voltage	F. L. Amps @ 230V	% F.L. EFF.	Service Factor	"C" Dim. (Inches)	♥Notes
1/3	1800	56C	3	110669.00	√	1,177	C6T17NK1	30	208-230/460	1.3	72.0	1.15	13.56	S, US, 12
1/2	1800	56C	3	110670.00	√	1,322	C6T17NK2	34	208-230/460	1.8	78.5	1.15	14.06	S, US, 12
1/2	1800	56C	6	114154.00	√	1,322	C6T17FK49	35	208-230/460	2.0	74.0	1.15	15.31	S, US
1/2	1200	56C	6	114152.00	√	1,901	C6T11FK5	45	208-230/460	2.4	70.0	1.15	15.81	S, US
3/4	1800	56C	6	110671.00	√	1,546	C6T17NK3	35	208-230/460	2.5	80.0	1.15	14.56	S, US, 12
3/4	1800	56C	6	114155.00	√	1,546	C6T17FK48	46	208-230/460	2.8	77.0	1.00	15.31	S, US
1	1800	56C	6	119563.00	√	1,890	C6T17FK105	46	208-230/460	3.2	85.5	1.15	17.31	S, US
1	1800	143TC	6	122248.00	√	1,900	C143T17FK30	47	230/460	3.2	85.5	1.15	17.66	S, US
1 1/2	1800	145TC	10	122249.00	√	2,089	C145T17FK76	53	230/460	4.8	86.5	1.15	18.16	S, US
2	1800	145TC	10	122250.00	√	2,160	C145T17FK75	61	208-230/460	5.8	86.5	1.15	18.66	S, US
3	1800	182TC	15	132477.00	√	2,933	C182T17FK21	82	230/460	7.8	89.5	1.15	15.82	S, MX
5	1800	184TC	25	132478.00	√	3,651	C184T17FK38	118	230/460	12.6	89.5	1.15	16.32	S, MX
7 1/2	1800	213TC	35	140605.00	√	4,679	C213T17FK46	167	230/460	21.6	91.7	1.15	28.00	S, MX
10	1800	215TC	50	140639.00	√	5,916	C215T17FK47	177	230/460	26.8	91.7	1.15	29.00	S, MX

Green items are Premium Efficient

Note 12 - TENV

♥ Note listing on inside back flap
Specifications are subject to change without notice



Three Phase - TEFC - C Face Less Base

HP	SYN RPM 60 Hz	NEMA Frame	Brake Rating (ft-lbs)	Catalog Number	Stock	List Price	Model Number	App. Wgt. (lbs)	Voltage	F. L. Amps @ 230V	% F.L. EFF.	Service Factor	"C" Dim. (Inches)	♥Notes
1/3	1800	56C	3	114158.00	√	1,195	C6T17NC194	29	208-230/460	1.3	72.0	1.15	13.56	S, US, 12
1/2	1800	56C	3	114159.00	√	1,300	C6T17FC111	33	208-230/460	2.0	74.0	1.15	15.31	S, US
3/4	1800	56C	6	114160.00	√	1,526	C6T17FC112	34	208-230/460	2.8	77.0	1.15	15.31	S, US
1	1800	56C	6	119564.00	√	1,835	C6T17FC249	45	208-230/460	3.2	85.5	1.15	17.31	S, US
1	1800	143TC	6	122251.00	√	1,846	C143T17FC42	50	208-230/460	3.2	85.5	1.15	17.73	S, US
1 1/2	1800	56C	10	119565.00	√	2,060	C6T17FC250	52	208-230/460	4.8	86.5	1.15	17.81	S, US
1 1/2	1800	145TC	10	122252.00	√	2,075	C145T17FC127	51	208-230/460	4.8	86.5	1.15	18.66	S, US
2	1800	145TC	10	122253.00	√	2,132	C145T17FC126	53	208-230/460	5.8	86.5	1.15	18.73	S, US
3	1800	182TC	15	132479.00	√	2,888	C182T17FC44	72	230/460	7.8	89.5	1.15	19.98	S, MX
5	1800	184TC	25	132480.00	√	3,636	C184T17FC55	108	230/460	12.6	89.5	1.15	20.98	S, MX
7 1/2	1800	213TC	35	141308.00	√	4,639	C213T17FC43	165	230/460	21.4	91.7	1.15	29.00	S, MX
10	1800	215TC	50	141309.00	√	5,876	C215T17FC11	175	230/460	26.8	91.7	1.15	29.00	S, MX

Green items are Premium Efficient

Note 12 - TENV

♥ Note listing on inside back flap
Specifications are subject to change without notice



Pump Motors
Washguard Motors
Agricultural Duty Motors
HVAC / Fan Motors
Special Voltage Motors
Definite Purpose Motors
Brake Motors
IEC Motors
DC Motors

Washguard® Brakemotors

White Epoxy Painted



Washguard® Brakemotors - TENV/TEFC - C Face With Base

HP	SYN RPM 60 Hz	NEMA Frame	Brake Rating (ft-lbs)	Catalog Number	Stock	List Price	Model Number	App. Wgt. (lbs)	Voltage	F. L. Amps @ 230V	% F.L. EFF.	Service Factor	"C" Dim. (Inches)	♥Notes
1/3	1800	56C	3	116466.00	C/A	1,636	C6T17VK28	40	208-230/460	1.3	72.0	1.15	14.00	S, US, 12
1/2	1800	56C	3	116467.00	✓	1,669	C6T17VK30	42	208-230/460	1.8	78.5	1.15	14.50	S, US, 12
3/4	1800	56C	6	116468.00	✓	1,979	C6T17VK29	44	208-230/460	2.5	80.0	1.15	15.00	S, US, 12
1	1800	56HC	6	119486.00	✓	2,148	C6T17WK47	53	208-230/460	2.8	85.5	1.15	17.00	S, US, 13
1	1800	143TC	6	122193.00	✓	2,168	C143T17WK14	53	208-230/460	2.8	85.5	1.15	17.02	S, US, 13
1 1/2	1800	145TC	10	122195.00	✓	2,957	C145T17WK55	55	208-230/460	4.8	86.5	1.15	18.50	S, US, 13
2	1800	145TC	10	122197.00	✓	3,046	C145T17WK56	67	208-230/460	5.8	86.5	1.15	19.00	S, US, 13

Green items are Premium Efficient

C/A - Check availability

Note 12 - TENV

Note 13 - TEFC

♥ Note listing on inside back flap
Specifications are subject to change without notice

Washguard® Brakemotors - TENV/TEFC - C Face Less Base

HP	SYN RPM 60 Hz	NEMA Frame	Brake Rating (ft-lbs)	Catalog Number	Stock	List Price	Model Number	App. Wgt. (lbs)	Voltage	F. L. Amps @ 230V	% F.L. EFF.	Service Factor	"C" Dim. (Inches)	♥Notes
1/3	1800	56C	3	116462.00	✓	1,579	C6T17VC43	39	208-230/460	1.3	72.0	1.15	14.00	S, US, 12
1/2	1800	56C	3	116463.00	✓	1,618	C6T17VC42	41	208-230/460	1.8	78.5	1.15	14.50	S, US, 12
3/4	1800	56C	6	116464.00	✓	1,925	C6T17VC44	43	208-230/460	2.5	80.0	1.15	15.00	S, US, 12
1	1800	56C	6	119485.00	✓	2,123	C6T17WC54	50	208-230/460	2.8	85.5	1.15	17.00	S, US, 13
1	1800	143TC	6	122192.00	✓	2,137	C143T17VC9	52	208-230/460	2.8	85.5	1.15	17.21	S, US, 13
1 1/2	1800	145TC	10	122194.00	✓	2,920	C145T17WC44	55	208-230/460	4.8	86.5	1.15	18.50	S, US, 13
2	1800	145TC	10	122196.00	✓	2,995	C145T17WC45	65	208-230/460	5.8	86.5	1.15	19.00	S, US, 13

Green items are Premium Efficient

Note 12 - TENV

Note 13 - TEFC

♥ Note listing on inside back flap
Specifications are subject to change without notice

Stainless Steel Brakemotors

Three Phase - TENV/TEFC - C Face With Base



HP	SYN RPM 60 Hz	NEMA Frame	Brake Rating (ft-lbs)	Catalog Number	Stock	List Price	Model Number	App. Wgt. (lbs)	Voltage	F. L. Amps @ 230V	% F.L. EFF.	Service Factor	"C" Dim. (Inches)	♥Notes
1/2	1800	56C	3	116483.00	C/A	6,172	CZ6T17VK31	59	208-230/460	1.6	78.5	1.15	16.51	S, US, 12
1	1800	56C	6	119785.00	✓	6,950	CZ6T17VK61	73	208-230/460	2.8	85.5	1.15	18.01	S, US, 13

Green items are Premium Efficient

C/A - Check availability

Note 12 - TENV

Note 13 - TEFC

♥ Note listing on inside back flap
Specifications are subject to change without notice

Brakemotors

High Cycle Brakemotors



Applications:

For use in applications that require frequent starting and stopping such as conveyors as well as unit and baggage handling equipment.

Features:

- All cast iron construction
- High cycle brakes
- Manual release lever on brakes
- UL and CSA recognized construction
- 30 starts and stops per hour

Three Phase - TENV - C Face Less Base

HP	SYN RPM 60 Hz	NEMA Frame	Brake Rating (ft-lbs)	Catalog Number	Stock	List Price	Model Number	App. Wgt. (lbs)	Voltage	F. L. Amps @ 230V	% F.L. EFF.	Service Factor	"C" Dim. (Inches)	♥Notes
1/2	1800	56C	6	117698.00	√	1,524	C6T17NC332	60	230	1.6	82.5	1.00	15.10	C, US
3/4	1800	56C	6	117699.00	√	1,760	C6T17NC333	65	230	2.2	85.5	1.00	16.10	C, US
1	1800	56C	6	119566.00	√	2,159	C6T17NC343	82	230	3.0	85.5	1.15	16.10	C, US
1.5	1800	143TC	12	121979.00	D	2,351	C145T17NC29	90	230	4.4	84.0	1.25	16.16	C, US
1.5	1800	143TC	12	122254.00	√	2,357	C145T17NC33	93	230	4.6	86.5	1.15	16.16	C, US
2	1800	145TC	12	122255.00	√	2,483	C145T17NC31	98	230	6.0	86.5	1.15	16.16	C, US

Green items are Premium Efficient

D - Item to be discontinued once inventory is depleted

♥ Note listing on inside back flap
Specifications are subject to change without notice

Pump
Motors

Washguard
Motors

Agricultural
Duty Motors

HVAC / Fan
Motors

Special Voltage
Motors

Definite
Purpose Motors

Brake Motors

IEC Motors

DC Motors



Brakemotors



- Kit of components converts 56 through 256T frame stock TEFC motors to fail-safe brakemotors.
- Kit mounts on fan end of motor. Kits for 56-184T steel frame motors include totally enclosed Stearns®* AC brake, replacement cast fan cover, shaft extension, fan and hardware. Kits for 213T-256T cast iron frame motors do not include brake, but are designed for Stearns 87,000 series brake.
- Two 1/2" NPT holes with 18" leads are provided for connections. The brake kit adds 5-1/8" to the overall length of 56 and 143/145T frame, and 5-7/8" to the overall length of 182/184T frame.

Brakekits

Brake Rating (ft-lbs)	Mounts to NEMA Frame	Max. HP @ 1725 RPM	Catalog No. 115/230 V Brake Coil Voltage	List Price	Catalog No. 208-230/460V Brake Coil Voltage	List Price	Catalog No. 575V Brake Coil Voltage	List Price	App. Wt. (lbs.)
3	48/S56	1	—		175615.00▲	859	—	—	10
3	56/143-5T	1	175762.00◇	859	175765.00◇	859	175768.00◇	859	10
6	56/143-5T	2	175763.00◇	987	175766.00◇	987	175769.00◇	987	10
10	56/143-5T	3	175764.00◇	1,130	175767.00◇	1,130	175770.00◇	1,130	10
15	182/184T	3	—		175696.00	2,108	175698.00	2,108	12
25	182/184T	5	—		175697.00	2,390	175699.00	2,390	12

56/143-5T frame brake kits cannot be used on S56 frame motors.

All brake coils are single phase. You can use a 230/460 V coil on a single phase motor by using the 230 volt motor connection and the 230 V brake connection.

▲ For motors having a "P" or "K" for the suffix letter on the date code and having a face mount fan guard.

◇ For 56/145 frame motors having a "B" for the suffix letter for the date code and having a face mount fan guard.

Note: TC frame, JM & JP pump motors having a B or M suffix letter on date code can also use brake kits.

Brake Selection

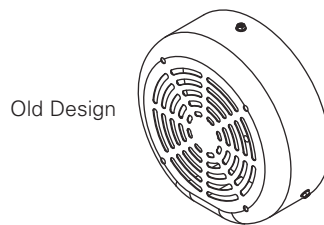
In this table, brake torque ratings are no less than 140% of the motor full load torque. Match HP and frame size of motor with appropriately rated brake kit.

HP	Brakemotor RPM Torque Rating		
	3450	1725	1140
1/3	3	3	3
1/2	3	3	3
3/4	3	6	6
1	3	6	6
1 1/2	6	10	10
2	6	10	15
3	10	15	25
5	15	25	35
7 1/2	25	35	50
10	25	50	75
15	35	75	105
20	50	105	—

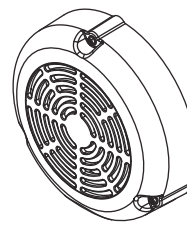
Brake Adapter Kits

Brake Rating (ft-lbs)	Mounts to NEMA Frame	Max. HP @ 1725 RPM	Catalog Number	List Price	App. Wt. (lbs.)
6-105	213-5T	10	175710.60	426	30
6-105	254-6T	20	175711.60	600	40

- Brake adapter kits include adapter casting/fan guard, brake fan, adapter shaft and hardware needed to mount a Stearns® 87,000 series brake (sold separately by Stearns).
- Shaded frame sizes are for use with cast iron motors.
- For use with Wattsaver® and "G" prefix cast iron motors.



Old Design



New Design - Face Mount



Brakemotors Washguard® Brakekits

Kits include a Stearns® NEMA® 4X brake to convert 56 through 145T frame stock TEFC only motors to fail-safe brakemotors. Food safe white epoxy finish. BISSC Certified. Adds 5-1/8" to the overall length of 56 through 145T Washguard TEFC motors.



For 230/460V Three Phase and 230V Single Phase Motors

Brake Rating (ft-lbs)	Mounts to NEMA Frame	Max. HP @ 1725 RPM	Catalog Number	List Price	App. Wt. (lbs.)
3	56/143-5T	1	175771.00	1,608	24
6	56/143-5T	2	175772.00	1,694	36
10	56/143-5T	3	175773.00	1,785	43

* For 56/145 frame motors having a "B" for the suffix letter for the date code and having a face mount fan guard.
Specifications are subject to change without notice.

Coupler Brakes

Double C Face Coupler Brakes

- A new and expanded line of coupler brakes designed for applications where mounting the brake between the motor and driven load is the preferred, or most convenient, location. They are an excellent problem solver for applications where a brake needs to be added to existing equipment – without replacing the motor.
- Rugged cast aluminum or cast iron construction. Stearns brakes are well suited to most industrial applications. Coupler brakes are designed to be C-face connected on both ends. These brakes are not suited for overhung loads to be applied to the output shaft.
- A wide range of voltages and brake torque ratings in both NEMA 2 and NEMA 4X enclosures are available from stock. NEMA 2 brakes are best suited for use with standard ODP and TEFC motors. NEMA 4X brakes are designed for use with LEESON® Washguard® motors.

General Purpose Coupler Brakes

- Mounts directly to the face and shaft of NEMA 56 through 215T-frame C-face motors to create a fail-safe brakemotor.
- The 6 ft.lb. brake mounts to NEMA 56C or 143/145TC motors using an optional adaptor sleeve, which is included with the brake. Output shaft can be either 56C or 143/145TC depending on the location of the provided adaptor sleeve. A 1/2 NPT threaded lead exit hole is provided for power connections.

BISSC is believed to be the trademark of Baking Industry Sanitation Standards Committee and is not owned or controlled by Regal Beloit Corporation.

Stearns is believed to be the trademark of Rexnord Corporation, and are not owned or controlled by Regal Beloit Corporation.

NEMA is believed to be the trademark of National Electrical Manufacturers Corporation, and is not owned or controlled by Regal Beloit Corporation.



Pump Motors

Washguard Motors

Agricultural Duty Motors

HVAC / Fan Motors

Special Voltage Motors

Definite Purpose Motors

Brake Motors

IEC Motors

DC Motors

Brakemotors

General Purpose Coupler Brakes



Stearns® Brakes

General Purpose (NEMA® 2) Coupler Brakes For Both Single and Three Phase Motors

Brake Rating (ft-lbs)	Max.HP@ 1725 RPM	Motor Voltage 115/208-230V	Motor Voltage 208-230/460V	Motor Voltage 575V	List Price	Mounts to NEMA Frame	Coupler Brake Output Shaft and Face	Add to Motor "C" Dim.	App. Wt. (lbs.)
3	1	175563.00	175564.00	175565.00	825	56C	5/8", 56C	4.91	13
6	2	175569.00	175570.00	175571.00	947	56C/143-5TC	5/8" or 7/8", 56C	4.91	14
10	3	175575.00	175576.00	175577.00	991	143-5TC	7/8", 143-5TC	4.91	15
15	3	—	175581.00	—	1,133	143-5TC	7/8", 143-5TC	4.91	16
15	3	—	175583.00	—	4,029	182-4TC	11/8", 182-4TC	8.38	58
25	5	—	175585.00	—	4,215	213-5TC	13/8", 213-5TC	8.38	58
35	7 1/2	—	175587.00	—	4,625	213-5TC	13/8", 213-5TC	8.88	60
50	10	—	175589.00	—	5,119	—	—	8.88	62

Specifications are subject to change without notice

Washguard® Coupler Brakes

Solid die-cast aluminum Stearns® NEMA 4X coupler brake converts any TEFC or TENV 56C through 215TC motor to a fail-safe brakemotor by mounting between the C-face motor and driven equipment. Food safe white epoxy finish. BISSC Certified. Adds 5" to the overall length of 56C through 145TC Washguard TEFC or TENV motors. Includes all mounting components.



Washguard® (NEMA 4X) Coupler Brakes For Both Single and Three Phase Motors

Brake Rating (ft-lbs)	Max.HP@ 1725 RPM	Motor Voltage 115/208-230V	Motor Voltage 208-230/460V	Motor Voltage 575V	List Price	Mounts to NEMA Frame	Coupler Brake Output Shaft and Face	Add to Motor "C" Dim.	App. Wt. (lbs.)
3	1	175566.00	175567.00	175568.00	1,446	56C	5/8", 56C	4.94	13
6	2	175572.00	175573.00	175574.00	1,556	56C/143-5TC	5/8" or 7/8", 56C	4.94	14
10	3	175578.00	175579.00	175580.00	1,602	143-5TC	7/8", 143-5TC	4.94	15
15	3	—	175582.00	—	1,865	143-5TC	7/8", 143-5TC	4.94	16
15	3	—	175584.00	—	5,048	182-4TC	11/8", 182-4TC	8.38	58
25	5	—	175586.00	—	5,146	182-4TC	11/8", 182-4TC	8.38	58
35	7 1/2	—	175588.00	—	5,337	213-5TC	13/8", 213-5TC	8.88	60
50	10	—	175590.00	—	5,961	213-5TC	13/8", 213-5TC	8.88	62

Specifications are subject to change without notice

Stearns is believed to be the trademark of Rexnord Corporation, and are not owned or controlled by Regal Beloit Corporation.

NEMA is believed to be the trademark of National Electrical Manufacturers Corporation, and is not owned or controlled by Regal Beloit Corporation.



Pump Motors

Washguard Motors

Agricultural Duty Motors

HVAC / Fan Motors

Special Voltage Motors

Definite Purpose Motors

Brake Motors

IEC Motors

DC Motors

NEW!

IEC Brakemotors AC Metric - Three Phase



These motors meet North American performance standards and premium energy efficiency mandates and have a 1.15 service factor. Typically used for replacement on machine tools, textile tools, textile machinery and other equipment with metric dimensions but require the high torque and performance of motors designed for use in North America.

Features:

- Cast iron frame construction
- 60/50 Hz interchangeability
- 230 volt brake coil
- IP55 enclosure protection
- B3 mounting
- B5 & B14 flange kits available
- UL listed and CSA certified



AC Metric - Three Phase - TEFC - B3 Mounting - Rigid Base

kW/HP	SYN RPM 60 Hz	IEC Frame	Brake Rating (ft-lbs)	Catalog Number	Stock	List Price	Model Number	App. Wgt. (lbs)	Voltage	F. L. Amps @ 230 V	% FL. Eff.	Service Factor	"C" Dim. (Inches)	♥Notes
1-0.75	1800	80M	6	194222.00	√	1,493	C80T17FZ47A	54	230/460	3.0	85.5	1.15	13.19	C, CN
1 1/2-1.1	1800	90S	12	194223.00	√	1,702	C90T17FZ31A	63	230/460	4.2	86.5	1.15	15.48	C, CN
2-1.5	1800	90L	12	194224.00	√	1,792	C90T17FZ32A	73	230/460	5.6	86.5	1.15	15.48	C, CN
3-2.2	1800	100L	24	194225.00	√	2,162	C100T17FZ49A	117	230/460	7.8	89.5	1.15	18.13	C, CN
4-3	1800	112M	44	194226.00	√	2,269	C112T17FZ30A	136	230/460	10.6	89.5	1.15	19.08	C, CN
5 1/2-4	1800	112M	74	194227.00	√	2,636	C112T17FZ31A	143	230/460	14.0	89.5	1.15	19.08	C, CN

Green items are Premium Efficient

♥ Note listing on inside back flap
Specifications are subject to change without notice

IEC Frame	B5 Flange Kit	List Price	B14 Flange Kit	List Price
80M	176177.00	115	176181.00	96
90S	176178.00	119	176182.00	107
90L	176178.00	119	176182.00	107
100L	176179.00	169	176183.00	162
112M	176180.00	179	176184.00	178

Note! These brakekits can only be used with the IEC brakemotors



Pump Motors
Washguard Motors
Agricultural Duty Motors
HVAC / Fan Motors
Special Voltage Motors
Definite Purpose Motors
Brake Motors
IEC Motors
DC Motors

IEC Motors

LEESON® Passport Series

Stock standard solutions ready to deliver from locations across the country.



Mount: IM B3/B5



Mount: IM B3



Mount: IM B3/450 Frame (custom)



IEC Motors

	Aluminum Frame AC	Cast Iron Frame AC	Permanent Magnet DC	Commercial Duty DC	Stainless
Enclosure Type	TEFC	TEFC	TENV - TEFC	TENV	TENV - TEFC
Range	0.18 kW–2.2 kW	1.5 kW–75 kW	0.06 kW–2.2 kW	0.050–0.125 kW	0.25–1.5 kW
Voltage	230/460 & 575	230/460 & 575	24 & 180 Volts DC	12, 24 & 90 Volts DC	230/460 Volts
Speed	2, 4 & 6-Pole	2, 4 & 6-Pole	3000 & 1800 RPM	3000	1800 RPM
Frequency	60 Hz (50 Hz derated to next lowest HP)	60 Hz (50 Hz derated to next lowest HP)	DC	DC	60 Hz (50 Hz derated to next lowest HP)
IEC Frame	63–90	100–315	56, 63, 80, 90, 112	56	71–90
Mounting Flanges	B3, B5 and B14	B3, B5 and B14	B3, B5 & B14	B14	B5 & B14
Ambient	40°C	40°C	40°C	40°C	40°C
Insulation	Class F Class B Rise	Class F Class B Rise	Class F	Class F	Class F Class B Rise
NEMA® Design B Breakdown Torque	175–300%	175–300%	N/A	N/A	NEMA Design B Breakdown Torque 175–300%
IEC Design N Breakdown Torque	160–200%	160–200%	N/A	N/A	IEC Design N Breakdown Torque 160–200%
NEMA Design B Lock Rotor Torque	70–275%	70–275%	N/A	N/A	NEMA Design B Lock Rotor Torque 70–275%
IEC Design N Lock Rotor Torque	75–275%	75–275%	N/A	N/A	IEC Design N Lock Rotor Torque 75–275%
Service Factor	1.15	1.15	1.0	1.0	1.15
Inverter Duty	10:1	10:1	SCR 10:1	SCR 10:1	6:1
Accessories	B5 & B14 Flange Kits	B5 & B14 Flange Kits	B5 & B14 Flange Kits	N/A	N/A
Shaft Seals	Yes	Yes	Yes	Yes	Yes
Terminal Boards	Yes	Yes	N/A	N/A	N/A
IP Construction	IP55	IP55	IP54	IP44	IP56 (Encapsulated designs available)
Efficiency	IE2, IE3 (90 Frame) EPACT and NEMA Premium	IE3 – NEMA Premium	Varies by HP	Varies by HP	Standard and EPACT
Removable Base	Yes	No	Yes	No Base	No





IEC Motors

AC Metric – Three Phase – 230/460 Volt – 575 Volt



These motors meet North American performance standards, premium energy efficiency mandates, and have 1.15 service factors.

General Specifications:

Typically used for replacement on machine tools, textile tools, textile machinery and other equipment with metric dimensions but requiring the high torque and performance of motors designed for use in North America.

Features:

- Aluminum frame and cast iron frame construction
- DC and stainless steel IEC motors available
- 60/50 Hz interchangeability
- B3, B5, B14 mounting flanges
- Flange kits available
- Inverter rated IRIS® insulation system on cast iron AC models
- UL listed and CSA certified



Pump
Motors

Washguard
Motors

Agricultural
Duty Motors

HVAC / Fan
Motors

Special Voltage
Motors

Definite
Purpose Motors

Brake Motors

IEC Motors

DC Motors



ALUMINUM FRAME

CSA: File number LR33543

UL: File number E57948 for motors produced January 2004 and later



IRIS® Inverter Rated Insulation System from LEESON provides superior protection against voltage spikes induced by variable frequency drives.



IP55 weatherproof enclosure allows for use in a wide range of applications.

- Terminal boards included.
- 230/460V motors have 9 leads.
 - 575V motors have 3 leads.
 - All terminal boards have 6 posts.

Conduit box with neoprene gaskets. Reposition metric "PG" tapped lead exit hole by rotating box in 90 degree increments. Move box to F1 or F2 position by relocating motor feet.

Drain hole locations in four quadrants can be drilled-out for multi-position condensate drainage.

Special design steel fan cover and low-noise fan maximize airflow efficiency.

D flange (B5) and C face (B14) models available. Field conversion kits also offered.

External grounding provision.

"Captive Shaft" keyway.

Multi-mount repositionable feet allow for three conduit box positions (F2, F1, F3).

Drilled and tapped shaft.

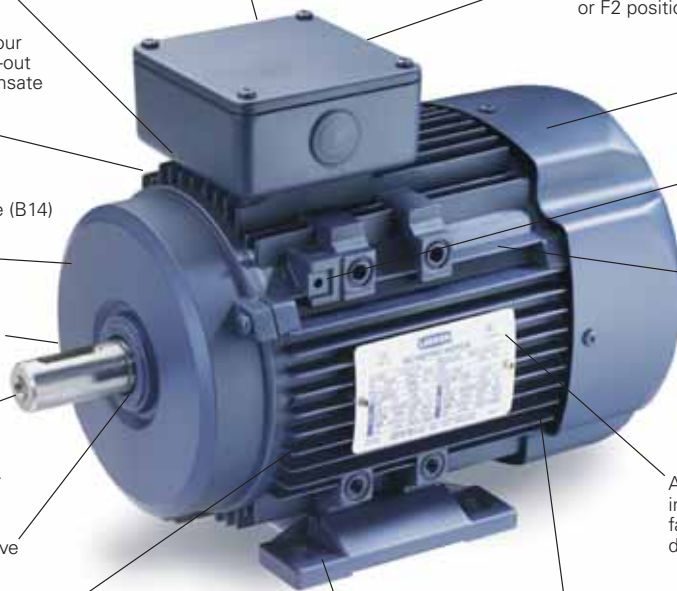
Aluminum "full fact" nameplate with information on motor efficiency and power factor. Stamped with 60 Hz and 50 Hz data.

V – seals on both the drive end and non drive end.

Class F insulation system with Class B temperature rise or lower.

High efficiency design utilizes low-loss steel laminations for optimum power and performance.

Removable feet.





IEC Motors AC Metric (IEC) Motors – Three Phase

CAST IRON FRAME

CSA: File number LR62104

UL: File number E57948 for motors produced June 2003 and later



Terminal boards included.

- 230/460V motors, 132-frame and larger have 12 leads and 9 post terminal boards.
- 230/460V motors, smaller than 132-frame have 9 leads and 6 post terminal boards.
- 575V motors have 3 leads and 6 post terminal boards.

IP55 weatherproof enclosure allows for use in a wide range of applications.

D flange (B5) and C face (B14) models available. Field conversion kits also offered.

Drilled and tapped shaft.

Oil seals on both the drive end and non drive end.

Cast iron mounting feet are precision machined for accurate alignment.

Conduit box with neoprene gaskets. Reposition metric "PG" threaded lead exit by rotating box in 90 degree increments. Motors 132 frame and larger have second lead exit hole for auxiliary box. Box is fixed at F3 location.

Heavy-duty cast iron construction includes frame, endbells and conduit box.

High efficiency design utilizes low-loss steel laminations for optimum power and performance.

Non-sparking fan. Small size reduces noise and enhances efficiency.

Steel fan cover.

Stainless steel "full fact" nameplate with information on motor efficiency and power factor. Stamped with 60 Hz and 50 Hz data

Class F insulation system with Class B temperature rise or lower. Motors include N/C thermostats.

Pump Motors

Washguard Motors

Agricultural Duty Motors

HVAC / Fan Motors

Special Voltage Motors

Definite Purpose Motors

Brake Motors

IEC Motors

DC Motors



IEC Metric Motors

AC Metric (IEC) Motors - B3 - Three Phase - Rigid Base



Three Phase - TEFC - B3 - Rigid Base - IP55

HP/kW	SYN RPM 60 Hz	IEC Frame	Catalog Number	Stock	List Price	Model Number	App. Wgt. (lbs)	Voltage	F. L. Amps @ 230 V	% F.L. Eff.	Service Factor	"C" Dim. (Inches)	♥Notes
1/4-0.18	3600	D63	192010.30	D	325	C63T34FZ13	10	230/460	1.0	65.5	1.15	8.35	A, CN
1/4-0.18	3600	D63	192010.00	√	307	C63T34FZ1	11	230/460	0.8	72.0	1.15	8.54	A, CN
1/4-0.18	1800	D63	192011.00	√	319	C63T17FZ1	12	230/460	1.1	68.0	1.15	8.54	A, CN
1/4-0.18	1200	D71	192012.00	√	545	C71T11FZ1	13	230/460	1.2	64.0	1.15	9.44	A, CN
1/3-0.25	3600	D63	192020.30	D	374	C63T34FZ2	10	230/460	1.1	72.0	1.15	8.55	A, CN
1/3-0.25	3600	D63	192020.00	√	353	C63T34FZ2	12	230/460	1.1	72.0	1.15	8.54	A, CN
1/3-0.25	1800	D71	192021.30	D	396	C71T17FZ13	16	230/460	1.4	62.4	1.15	9.65	A, CN
1/3-0.25	1800	D71	192021.00	√	374	C71T17FZ1	16	230/460	1.4	68.0	1.15	9.44	A, CN
1/3-0.25	1200	D80	192022.30	D	616	C80T11FZ19	21	230/460	1.4	61.3	1.15	11.61	A, CN
1/3-0.25	1200	D80	192022.00	√	582	C80T11FZ1	20	230/460	1.3	70.0	1.15	11.10	A, CN
1/2-0.37	3600	D71	192030.00	√	383	C71T34FZ1	14	230/460	1.6	74.0	1.15	9.44	A, CN
1/2-0.37	1800	D71	192031.00	√	389	C71T17FZ2	15	230/460	1.8	74.0	1.15	9.44	A, CN
1/2-0.37	1200	D80	192032.30	D	646	C80T11FZ20	22	230/460	2.0	61.8	1.15	11.61	A, CN
1/2-0.37	1200	D80	192032.00	√	610	C80T11FZ2	22	230/460	1.9	72.0	1.15	11.10	A, CN
3/4-0.55	3600	D71	192040.30	D	424	C71T34FZ14	15	230/460	2.4	74.5	1.15	9.65	A, CN
3/4-0.55	3600	D71	192040.00	√	400	C71T34FZ2	16	230/460	2.4	74.0	1.15	9.44	A, CN
3/4-0.55	1800	D80	192041.00	√	423	C80T17FZ1	21	230/460	2.5	74.0	1.15	11.10	A, CN
3/4-0.55	1200	D80	192042.30	D	711	C80T11FZ21	22	230/460	2.8	72.0	1.15	11.61	A, CN
3/4-0.55	1200	D80	192042.00	√	652	C80T11FZ3	25	230/460	2.7	72.0	1.15	11.10	A, CN
1-0.75	3600	D80	192264.00	√	453	C80T34FZ48	30	230/460	2.8	77.0	1.15	11.10	A, CN
1-0.75	1800	D80	192241.00	√	524	C80T17FZ54	30	230/460	3.0	85.5	1.15	11.10	A, CN
1-0.75	1200	D90S	192200.00	√	783	C90T11FZ13	36	230/460	3.2	82.5	1.15	12.83	A, CN
1 1/2-1.1	3600	D80	192242.00	√	566	C80T34FZ48	27	230/460	4.0	84.0	1.15	11.10	A, CN
1 1/2-1.1	1800	D90S	192202.30	D	627	C90T17FZ23	43	230/460	4.0	86.5	1.15	13.39	A, CN
1 1/2-1.1	1800	D90S	192202.00	√	591	C90T17FZ13	40	230/460	4.2	86.5	1.15	12.83	A, CN
2-1.5	3600	D90S	192208.30	D	652	C90T34FZ21	39	230/460	5.0	85.5	1.15	13.39	A, CN
2-1.5	3600	D90S	192208.00	√	616	C90T34FZ13	36	230/460	5.0	85.5	1.15	12.83	A, CN
2-1.5	1800	D90L	192205.00	√	638	C90T17FZ16	42	230/460	5.4	87.5	1.15	13.38	A, CN
2-1.5	1200	DF100L	193300.60	√	1,158	C100T11FZ20	94	230/460	6.0	88.5	1.15	16.33	C, CN

Shaded model numbers are cast iron frame

Green items are Premium Efficient

D - Item to be discontinued once inventory is depleted

Continued On Next Page

♥ Note listing on inside back flap
Specifications are subject to change without notice





IEC Metric Motors

AC Metric (IEC) Motors - B3 - Three Phase - Rigid Base

Pump Motors

Washguard Motors

Agricultural Duty Motors

HVAC / Fan Motors

Special Voltage Motors

Definite Purpose Motors

Brake Motors

IEC Motors

DC Motors

Three Phase - TEFC - B3 - Rigid Base - IP55

HP/kW	SYN RPM 60 Hz	IEC Frame	Catalog Number	Stock	List Price	Model Number	App. Wgt. (lbs)	Voltage	F. L. Amps @ 230 V	% F.L. Eff.	Service Factor	"C" Dim. (Inches)	♥Notes
3-2.2	3600	D90L	192209.00	√	889	C90T34FZ14	40	230/460	7.2	87.5	1.15	13.43	A, CN
3-2.2	1800	DF100L	193301.60	√	1,123	C100T17FZ41	92	230/460	8.0	90.2	1.15	16.34	C, CN
3-2.2	1200	DF112M	193302.60	√	1,628	C112T11FZ21	151	230/460	9.6	89.5	1.15	18.43	C, CN
4-3	3600	DF100L	193303.60	√	1,197	C100T34FZ20	71	230/460	9.2	88.5	1.15	18.43	C, CN
4-3	1800	DF100L	193304.60	√	1,219	C100T17FZ42	90	230/460	10.0	89.5	1.15	16.34	C, CN
4-3	1200	DF132S	193305.60	√	1,974	C132T11FZ58	162	230/460	12.4	89.5	1.15	18.27	C, CN
5 1/2-4	3600	DF112M	193306.60	√	1,538	C112T34FZ24	114	230/460	12.6	89.5	1.15	16.14	C, CN
5 1/2-4	1800	DF112M	193307.60	√	1,482	C112T17FZ21	124	230/460	14.0	89.5	1.15	16.14	C, CN
5 1/2-4	1200	DF132M	193308.60	√	2,281	C132T11FZ59	182	230/460	17.0	89.5	1.15	19.76	C, CN
7 1/2-5.5	3600	DF132S	193309.60	√	1,929	C132T34FZ45	152	230/460	18.0	89.5	1.15	18.27	C, CN
7 1/2-5.5	1800	DF132S	193310.60	√	1,929	C132T17FZ43	159	230/460	18.4	92.4	1.15	18.27	C, CN
7 1/2-5.5	1200	DF132M	193311.60	√	2,742	C132T11FZ60	180	230/460	21.6	91.0	1.15	19.76	C, CN
10-7.5	3600	DF132S	193312.60	√	2,062	C132T34FZ46	171	230/460	24.0	90.2	1.15	18.15	C, CN
10-7.5	1800	DF132M	193313.60	√	2,287	C132T17FZ44	181	230/460	24.0	91.7	1.15	19.76	C, CN
10-7.5	1200	DF160M	193314.60	√	3,557	C160T11FZ39	262	230/460	28.8	92.1	1.15	23.62	C, CN
15-11	3600	DF160M	193315.60	√	3,343	C160T34FZ59	260	230/460	35.0	91.0	1.15	23.62	C, CN
15-11	1800	DF160M	193316.60	√	3,343	C160T17FZ43	264	230/460	37.0	92.4	1.15	23.62	C, CN
15-11	1200	DF160L	193317.60	√	4,566	C160T11FZ40	342	230/460	40.0	91.7	1.15	26.57	C, CN
20-15	3600	DF160M	193318.60	√	3,920	C160T34FZ60	269	230/460	47.0	91.0	1.15	23.62	C, CN
20-15	1800	DF160L	193319.60	√	4,133	C160T17FZ44	311	230/460	50.0	93.0	1.15	25.39	C, CN
20-15	1200	DF180L	193320.60	√	6,400	C180T11FZ20	398	230/460	54.0	92.4	1.15	28.27	C, CN
25-18.5	3600	DF160L	193321.60	√	4,772	C160T34FZ61	330	230/460	58.0	91.7	1.15	25.39	C, CN
25-18.5	1800	DF180M	193322.60	√	5,252	C180T17FZ41	393	230/460	59.0	93.5	1.15	26.77	C, CN
25-18.5	1200	DF200L	193323.60	√	8,029	C200T11FZ39	530	230/460	66.0	93.6	1.15	29.53	C, CN
30-22	3600	DF180M	193324.60	√	5,671	C180T34FZ19	355	230/460	69.0	93.0	1.15	26.77	C, CN
30-22	1800	DF180L	193325.60	√	5,906	C180T17FZ42	441	230/460	70.0	94.1	1.15	28.27	C, CN
30-22	1200	DF200L	193326.60	√	9,095	C200T11FZ40	478	230/460	77.0	93.8	1.15	29.53	C, CN
40-30	3600	DF200L	193327.60	√	8,074	C200T34FZ37	522	230/460	91.0	92.4	1.15	29.53	C, CN
40-30	1800	DF200L	193328.60	√	8,693	C200T17FZ21	547	230/460	95.0	94.1	1.15	29.53	C, CN
40-30	1200	DF225M	193329.60	C/A	13,661	C225T11FZ21	633	230/460	95.0	94.1	1.15	32.95	C, CN
50-37	3600	DF200L	193330.60	√	10,588	C200T34FZ38	563	230/460	112.0	94.1	1.15	29.53	C, CN
50-37	1800	DF225S	193331.60	√	12,056	C225T17FZ21	651	230/460	118.0	94.5	1.15	31.97	C, CN
50-37	1200	DF250M	193332.60	C/A	14,003	C250T11FZ19	670	230/460	120.0	94.1	1.15	36.42	C, CN
60-45	3600	225M	193416.60	√	10,914	C225T34FZ1A	756	230/460	134	94.1	1.15	31.69	C, CN
60-45	1800	225M	193417.60	√	12,228	C225T17FZ5A	758	230/460	138	95.0	1.15	32.95	C, CN
60-45	1200	280S	193418.60	√	14,621	C280T11FZ1A	1320	230/460	152	95.0	1.15	38.39	C, CN
75-55	3600	250M	193419.60	√	12,424	C250T34FZ1A	988	230/460	166	93.6	1.15	36.46	C, CN
75-55	1800	250M	193420.60	√	12,849	C250T17FZ2A	1170	230/460	174	95.4	1.15	36.46	C, CN
75-55	1200	280M	193421.60	√	15,001	C280T11FZ2A	1446	230/460	190	94.5	1.15	40.39	C, CN
100-75	3600	280S	193422.60	√	13,228	C280T34FZ1A	1258	230/460	222	94.1	1.15	38.39	C, CN
100-75	1800	280S	193423.60	√	13,416	C280T17FZ3A	1338	230/460	226	95.4	1.15	38.39	C, CN
100-75	1200	315S	193424.60	√	18,905	C315T11FZ1A	2020	230/460	226	95.0	1.15	48.82	C, CN

Shaded model numbers are cast iron frame

Green items are Premium Efficient

C/A - Check availability

♥ Note listing on inside back flap
Specifications are subject to change without notice



IEC Metric Motors

AC Metric (IEC) Motors - B3 / B5 Flange - Three Phase - Rigid Base



Three Phase - TEFC - B3 / B5 Flange - Rigid Base - IP55

HP/kW	SYN RPM 60 Hz	IEC Frame	Catalog Number	Stock	List Price	Model Number	App. Wgt. (lbs)	Voltage	F. L. Amps @ 230 V	% F.L. Eff.	Service Factor	"C" Dim. (Inches)	♥ Notes
1/4-0.18	3600	D63D	192014.00	√	353	C63T34FZ5	10	230/460	0.8	72.0	1.15	8.54	A, CN
1/4-0.18	1800	D63D	192015.00	√	365	C63T17FZ3	16	230/460	1.0	68.0	1.15	8.54	A, CN
1/4-0.18	1200	D71D	192016.30	D	661	C71T11FZ14	16	230/460	1.2	66.0	1.15	9.65	A, CN
1/4-0.18	1200	D71D	192016.00	√	624	C71T11FZ3	13	230/460	1.2	64.0	1.15	9.44	A, CN
1/3-0.25	3600	D63D	192024.00	√	407	C63T34FZ6	12	230/460	1.1	72.0	1.15	8.54	A, CN
1/3-0.25	1800	D71D	192025.00	√	420	C71T17FZ5	15	230/460	1.4	68.0	1.15	9.44	A, CN
1/3-0.25	1200	D80D	192026.30	D	714	C80T11FZ22	21	230/460	1.4	70.0	1.15	11.61	A, CN
1/3-0.25	1200	D80D	192026.00	√	674	C80T11FZ7	20	230/460	1.3	70.0	1.15	11.10	A, CN
1/2-0.37	3600	D71D	192034.30	D	457	C71T34FZ15	13	230/460	1.6	77.0	1.15	9.65	A, CN
1/2-0.37	3600	D71D	192034.00	√	419	C71T34FZ5	13	230/460	1.6	74.0	1.15	9.44	A, CN
1/2-0.37	1800	D71D	192035.00	√	433	C71T17FZ6	15	230/460	1.8	74.0	1.15	9.44	A, CN
1/2-0.37	1200	D80D	192036.00	√	696	C80T11FZ8	22	230/460	1.9	72.0	1.15	11.10	A, CN
3/4-0.55	3600	D71D	192044.00	√	442	C71T34FZ6	16	230/460	2.4	74.0	1.15	9.44	A, CN
3/4-0.55	1800	D80D	192045.00	√	470	C80T17FZ5	21	230/460	2.5	74.0	1.15	11.10	A, CN
3/4-0.55	1200	D80D	192046.30	D	784	C80T11FZ24	25	230/460	2.8	72.0	1.15	11.61	A, CN
3/4-0.55	1200	D80D	192046.00	√	740	C80T11FZ9	26	230/460	2.7	72.0	1.15	11.10	A, CN
1-0.75	3600	D80D	192265.00	√	487	C80T34FZ49	30	230/460	2.8	77.0	1.15	11.10	A, CN
1-0.75	1800	D80D	192244.00	√	574	C80T17FZ55	29	230/460	3.0	85.5	1.15	11.10	A, CN
1-0.75	1200	D90SD	192201.00	√	896	C90T11FZ14	41	230/460	3.2	82.5	1.15	12.83	A, CN
1 1/2-1.1	3600	D80D	192245.00	√	622	C80T34FZ49	30	230/460	4.0	84.0	1.15	12.83	A, CN
1 1/2-1.1	1800	D90SD	192203.00	√	649	C90T17FZ14	41	230/460	4.2	86.5	1.15	12.83	A, CN
2-1.5	3600	D90SD	192210.00	√	708	C90T34FZ15	36	230/460	5.0	85.5	1.15	12.83	A, CN
2-1.5	1800	D90LD	192206.00	√	728	C90T17FZ17	46	230/460	5.4	86.5	1.15	12.83	A, CN
2-1.5	1200	DF100LD	193333.60	√	1,331	C100T11FZ21	105	230/460	6.0	88.5	1.15	16.33	C, CN
3-2.2	3600	D90LD	192211.00	√	1,001	C90T34FZ16	40	230/460	7.2	87.5	1.15	12.83	A, CN
3-2.2	1800	DF100LD	193334.60	√	1,292	C100T17FZ43	84	230/460	8.0	90.2	1.15	16.33	C, CN
3-2.2	1200	DF112MD	193335.60	√	1,821	C112T11FZ22	146	230/460	9.6	89.5	1.15	16.14	C, CN

Shaded model numbers are cast iron frame

Continued On Next Page

Green items are Premium Efficient

D - Item to be discontinued once inventory is depleted

♥ Note listing on inside back flap
Specifications are subject to change without notice





IEC Metric Motors

AC Metric (IEC) Motors - B3 / B5 Flange - Three Phase - Rigid Base



Pump Motors
Washguard Motors
Agricultural Duty Motors
HVAC / Fan Motors
Special Voltage Motors
Definite Purpose Motors
Brake Motors
IEC Motors
DC Motors

Three Phase - TEFC - B3 / B5 Flange - Rigid Base - IP55

HP/kW	SYN RPM 60 Hz	IEC Frame	Catalog Number	Stock	List Price	Model Number	App. Wgt. (lbs)	Voltage	F. L. Amps @ 230 V	% FL. Eff.	Service Factor	"C" Dim. (Inches)	♥Notes
4-3	3600	DF100LD	193336.60	√	1,368	C100T34FZ21	103	230/460	9.2	89.5	1.15	16.33	C, CN
4-3	1800	DF100LD	193337.60	√	1,389	C100T17FZ44	115	230/460	10.0	89.5	1.15	16.33	C, CN
4-3	1200	DF132SD	193338.60	√	2,228	C132T11FZ61	154	230/460	12.4	89.5	1.15	18.26	C, CN
5 1/2-4	3600	DF112MD	193339.60	√	1,722	C112T34FZ25	104	230/460	12.6	89.5	1.15	16.14	C, CN
5 1/2-4	1800	DF112MD	193340.60	√	1,668	C112T17FZ22	130	230/460	14.0	89.5	1.15	16.14	C, CN
5 1/2-4	1200	DF132MD	193341.60	√	2,538	C132T11FZ62	196	230/460	17.0	89.5	1.15	18.26	C, CN
7 1/2-5.5	3600	DF132SD	193342.60	√	2,175	C132T34FZ47	152	230/460	18.0	89.5	1.15	18.26	C, CN
7 1/2-5.5	1800	DF132SD	193343.60	√	2,175	C132T17FZ45	188	230/460	18.4	92.4	1.15	18.26	C, CN
7 1/2-5.5	1200	DF132MD	193344.60	√	3,001	C132T11FZ63	180	230/460	21.6	91.0	1.15	18.26	C, CN
10-7.5	3600	DF132SD	193345.60	√	2,323	C132T34FZ48	171	230/460	24.0	90.2	1.15	18.26	C, CN
10-7.5	1800	DF132MD	193346.60	√	2,545	C132T17FZ46	208	230/460	24.0	91.7	1.15	19.76	C, CN
10-7.5	1200	DF160MD	193347.60	√	4,044	C160T11FZ41	251	230/460	28.8	91.7	1.15	23.62	C, CN
15-11	3600	DF160MD	193348.60	√	3,831	C160T34FZ62	260	230/460	35.0	91.0	1.15	23.62	C, CN
15-11	1800	DF160MD	193349.60	√	3,831	C160T17FZ45	264	230/460	37.0	92.4	1.15	23.62	C, CN
15-11	1200	DF160LD	193350.60	√	5,053	C160T11FZ42	330	230/460	40.0	91.7	1.15	26.57	C, CN
20-15	3600	DF160MD	193351.60	√	4,131	C160T34FZ63	269	230/460	47.0	91.0	1.15	23.62	C, CN
20-15	1800	DF160LD	193352.60	√	4,357	C160L17FZ46	325	230/460	50.0	93.0	1.15	25.39	C, CN
20-15	1200	DF180LD	193353.60	√	6,627	C180T11FZ21	385	230/460	53.5	92.4	1.15	26.77	C, CN
25-18.5	3600	DF160LD	193354.60	√	4,967	C160T34FZ64	330	230/460	58.0	91.7	1.15	25.39	C, CN
25-18.5	1800	DF180MD	193355.60	√	5,545	C180T17FZ43	393	230/460	58.5	93.0	1.15	26.77	C, CN
30-22	3600	DF180MD	193356.60	√	5,936	C180T34FZ20	355	230/460	69.0	93.0	1.15	26.77	C, CN
30-22	1800	DF180LD	193357.60	√	6,160	C180T17FZ44	456	230/460	70.0	94.1	1.15	28.26	C, CN

Shaded model numbers are cast iron frame

Green items are Premium Efficient

Note: Aluminum motors have removable feet for round-body applications.
Larger HP B3 Foot-Mounted metric motors on page 287 can be converted to B3/B5 Flange-Mount by installing B5 Flange Kits

♥ Note listing on inside back flap
Specifications are subject to change without notice



IEC Metric Motors

AC Metric (IEC) Motors - B3 / B14 Flange - Three Phase - Rigid Base



Three Phase - TEFC - B3 / B14 Flange - Rigid Base - IP55

HP/kW	SYN RPM 60 Hz	IEC Frame	Catalog Number	Stock	List Price	Model Number	App. Wgt. (lbs)	Voltage	F. L. Amps @ 230 V	% F.L. Eff.	Service Factor	"C" Dim. (Inches)	♥Notes
1/4-0.18	3600	D63C	192017.00	√	345	C63T34FZ3	12	230/460	0.8	72.0	1.15	8.54	A, CN
1/4-0.18	1800	D63C	192018.00	√	358	C63T17FZ2	12	230/460	1.0	68.0	1.15	8.54	A, CN
1/4-0.18	1200	D71C	192019.00	√	624	C71T11FZ2	13	230/460	1.2	64.0	1.15	9.44	A, CN
1/3-0.25	3600	D63C	192027.30	D	439	C63T34FZ16	10	230/460	1.2	72.0	1.15	9.65	A, CN
1/3-0.25	3600	D63C	192027.00	√	403	C63T34FZ4	12	230/460	1.1	72.0	1.15	8.54	A, CN
1/3-0.25	1800	D71C	192028.00	√	409	C71T17FZ3	14	230/460	1.4	68.0	1.15	9.44	A, CN
1/3-0.25	1200	D80C	192029.30	D	714	C80T11FZ25	20	230/460	1.4	70.0	1.15	11.61	A, CN
1/3-0.25	1200	D80C	192029.00	√	674	C80T11FZ4	20	230/460	1.3	70.0	1.15	11.10	A, CN
1/2-0.37	3600	D71C	192037.00	√	410	C71T34FZ3	14	230/460	1.6	74.0	1.15	9.44	A, CN
1/2-0.37	1800	D71C	192038.00	√	426	C71T17FZ4	15	230/460	1.8	74.0	1.15	9.44	A, CN
1/2-0.37	1200	D80C	192039.00	√	696	C80T11FZ5	22	230/460	1.9	72.0	1.15	11.10	A, CN
3/4-0.55	3600	D71C	192047.30	D	472	C71T34FZ18	15	230/460	2.4	74.5	1.15	9.65	A, CN
3/4-0.55	3600	D71C	192047.00	√	433	C71T34FZ4	15	230/460	2.4	74.0	1.15	9.44	A, CN
3/4-0.55	1800	D80C	192048.00	√	465	C80T17FZ3	21	230/460	2.5	74.0	1.15	11.10	A, CN
3/4-0.55	1200	D80C	192049.00	√	740	C80T11FZ6	25	230/460	2.7	72.0	1.15	11.10	A, CN
1-0.75	3600	D80C	192266.00	√	474	C80T34FZ50	15	230/460	2.8	77.0	1.15	11.10	A, CN
1-0.75	1800	D80C	192247.00	√	559	C80T17FZ56	30	230/460	3.0	85.5	1.15	11.10	A, CN
1-0.75	1200	D90SC	192212.00	√	896	C80T11FZ15	36	230/460	3.2	82.5	1.15	12.83	A, CN
1 1/2-1.1	3600	D80C	192248.00	√	610	C80T34FZ18	30	230/460	4.0	84.0	1.15	11.61	A, CN
1 1/2-1.1	1800	D90SC	192204.00	√	636	C90T17FZ15	40	230/460	4.2	86.5	1.15	12.83	A, CN
2-1.5	3600	D90SC	192213.00	√	692	C90T34FZ17	36	230/460	5.0	85.5	1.15	12.83	A, CN
2-1.5	1800	D90LC	192207.00	√	708	C90T17FZ18	42	230/460	5.4	86.5	1.15	12.83	A, CN

Green items are Premium Efficient

Continued On Next Page

D - Item to be discontinued once inventory is depleted

♥ Note listing on inside back flap
Specifications are subject to change without notice





IEC Metric Motors

AC Metric (IEC) Motors - B3 / B14 Flange - Three Phase - Rigid Base



Pump Motors
Washguard Motors
Agricultural Duty Motors
HVAC / Fan Motors
Special Voltage Motors
Definite Purpose Motors
Brake Motors
IEC Motors
DC Motors

Three Phase - TEFC - B3 / B14 Flange - Rigid Base - IP55

HP/kW	SYN RPM 60 Hz	IEC Frame	Catalog Number	Stock	List Price	Model Number	App. Wgt. (lbs)	Voltage	F. L. Amps @ 230 V	% F.L. Eff.	Service Factor	"C" Dim. (Inches)	♥Notes
3-2.2	3600	D90LC	192214.00	√	1,001	C90T34FZ18	39	230/460	7.2	87.5	1.15	12.83	A, CN
3-2.2	1800	DF100LC	193359.60	√	1,292	C100T17FZ45	84	230/460	8.0	90.2	1.15	16.33	C, CN
3-2.2	1200	DF112MC	193360.60	√	1,821	C112T11FZ23	84	230/460	9.6	89.5	1.15	16.14	C, CN
4-3	3600	DF100LC	193361.60	√	1,368	C100T34FZ22	71	230/460	9.2	88.5	1.15	16.33	C, CN
4-3	1800	DF100LC	193362.60	√	1,389	C100T17FZ46	84	230/460	10.0	89.5	1.15	16.33	C, CN
4-3	1200	DF132SC	193363.60	√	2,228	C132T11FZ64	154	230/460	12.4	89.5	1.15	18.26	C, CN
5 1/2-4	3600	DF112MC	193364.60	√	1,722	C112T34FZ26	104	230/460	12.6	88.5	1.15	16.14	C, CN
5 1/2-4	1800	DF112MC	193365.60	√	1,668	C112T17FZ23	104	230/460	14.0	89.5	1.15	16.14	C, CN
5 1/2-4	1200	DF132MC	193366.60	√	2,538	C132T11FZ65	176	230/460	17.0	89.5	1.15	19.76	C, CN
7 1/2-5.5	3600	DF132SC	193367.60	√	2,175	C132T34FZ49	152	230/460	18.0	89.5	1.15	18.27	C, CN
7 1/2-5.5	1800	DF132SC	193368.60	√	2,175	C132T17FZ47	150	230/460	18.4	91.7	1.15	19.76	C, CN
7 1/2-5.5	1200	DF132MC	193369.60	√	3,001	C132T11FZ66	180	230/460	21.6	91.0	1.15	19.76	C, CN
10-7.5	3600	DF132SC	193370.60	√	2,323	C132T34FZ50	163	230/460	24.0	90.2	1.15	19.76	C, CN
10-7.5	1800	DF132MC	193371.60	√	2,545	C132T17FZ48	174	230/460	24.0	91.7	1.15	19.76	C, CN
10-7.5	1200	DF160MC	193372.60	√	4,044	C160T11FZ43	251	230/460	28.8	92.1	1.15	23.62	C, CN
15-11	3600	DF160MC	193373.60	√	3,831	C160T34FZ65	260	230/460	35.0	91.0	1.15	23.62	C, CN
15-11	1800	DF160MC	193374.60	√	3,831	C160T17FZ47	264	230/460	37.0	92.4	1.15	23.62	C, CN
15-11	1200	DF160LC	193375.60	√	5,053	C160T11FZ44	330	230/460	40.0	91.7	1.15	26.57	C, CN
20-15	3600	DF160MC	193376.60	√	4,380	C160T34FZ66	269	230/460	47.0	91.0	1.15	23.62	C, CN
20-15	1800	DF160LC	193377.60	√	4,618	C160T17FZ48	311	230/460	50.0	93.0	1.15	25.39	C, CN
25-18.5	3600	DF160LC	193378.60	√	5,264	C160T34FZ67	319	230/460	58.0	91.7	1.15	25.39	C, CN

Shaded model numbers are cast iron frame

Continued On Next Page

Green items are Premium Efficient

Note: Aluminum motors have removable feet for round-body applications. Larger HP B3 Foot-Mounted metric motors on page 287 can be converted to B3/B14 Flange-Mount by installing B14 Flange Kits

♥ Note listing on inside back flap Specifications are subject to change without notice



IEC Metric Motors

575 Volt Metric Motors

AC Metric (IEC) Motors - B3 Flange - Three Phase - Rigid Base



Three Phase - TEFC - B3 Flange - Rigid Base - IP55

HP/kW	SYN RPM 60 Hz	IEC Frame	Catalog Number	Stock	List Price	Model Number	App. Wgt. (lbs)	Voltage	F. L. Amps @ 575 V	% F.L. Eff.	Service Factor	"C" Dim. (Inches)	Notes
1/4-0.18	3600	D63	192088.30	D	325	C63T34FZ19	10	575	0.4	65.5	1.15	8.35	A, CN
1/4-0.18	3600	D63	192088.00	√	307	C63T34FZ7	10	575	0.3	72.0	1.15	8.54	A, CN
1/4-0.18	1800	D63	192089.00	√	320	C63T17FZ4	11	575	0.4	68.0	1.15	8.54	A, CN
1/3-0.25	3600	D63	192097.00	√	358	C63T34FZ10	11	575	0.4	74.0	1.15	8.54	A, CN
1/3-0.25	1800	D71	192098.00	√	374	C71T17FZ7	13	575	0.6	67.0	1.15	9.45	A, CN
1/2-0.37	3600	D71	192106.00	√	383	C71T34FZ7	13	575	0.7	74.0	1.15	9.45	A, CN
1/2-0.37	1800	D71	192107.30	D	424	C71T17FZ20	14	575	0.8	71.5	1.15	9.65	A, CN
1/2-0.37	1800	D71	192107.00	√	389	C71T17FZ10	14	575	0.7	74.0	1.15	9.45	A, CN
3/4-0.56	3600	D71	192115.00	√	400	C71T34FZ10	15	575	0.9	74.0	1.15	9.45	A, CN
3/4-0.56	1800	D80	192116.30	D	461	C80T17FZ19	18	575	0.9	73.9	1.15	11.61	A, CN
3/4-0.56	1800	D80	192116.00	√	423	C80T17FZ7	18	575	1.0	73.0	1.15	11.10	A, CN
1-0.75	3600	D80	192124.30	D	480	C80T34FZ19	21	575	1.3	77.0	1.15	11.61	A, CN
1-0.75	3600	D80	192267.00	√	453	C80T34FZ51	21	575	1.1	77.0	1.15	11.10	A, CN
1-0.75	1800	D80	192125.30	D	491	C80T17FZ20	26	575	1.3	73.6	1.15	11.61	A, CN
1-0.75	1800	D80	192250.00	√	524	C80T17FZ57	26	575	1.4	85.5	1.15	11.10	A, CN
1 1/2-1.1	3600	D80	192133.30	D	533	C80T34FZ20	27	575	1.7	77.9	1.15	11.61	A, CN
1 1/2-1.1	3600	D80	192251.30	D	597	C80T34FZ47	27	575	1.6	82.5	1.15	11.10	A, CN
1 1/2-1.1	3600	D80	192251.00	√	566	C80T34FZ53	27	575	1.6	84.0	1.15	11.10	A, CN
1 1/2-1.1	1800	D90S	192230.30	D	544	C90T17FZ30	37	575	1.8	86.5	1.15	12.83	A, CN
1 1/2-1.1	1800	D90S	192230.00	√	514	C90T17FZ19	37	575	1.8	86.5	1.15	12.83	A, CN
2-1.5	3600	D90S	192231.00	√	537	C90T34FZ19	33	575	2.2	86.5	1.15	12.83	A, CN
2-1.5	1800	D90L	192232.30	D	586	C90T17FZ29	38	575	2.3	85.5	1.15	12.83	A, CN
2-1.5	1800	D90L	192232.00	√	553	C90T17FZ20	38	575	2.3	85.5	1.15	12.83	A, CN
3-2.2	3600	D90L	192233.30	D	815	C90T34FZ28	39	575	3.0	86.5	1.15	13.43	A, CN
3-2.2	3600	D90L	192233.00	√	771	C90T34FZ20	39	575	3.0	86.5	1.15	13.42	A, CN
3-2.2	1800	DF100L	193379.60	√	1,123	C100T17FZ47	84	575	3.2	89.5	1.15	16.33	C, CN
4-3	3600	DF100L	193380.60	√	1,197	C100T34FZ23	71	575	3.1	88.5	1.15	16.33	C, CN
4-3	1800	DF100L	193381.60	√	1,219	C100T17FZ48	84	575	4.0	89.5	1.15	16.33	C, CN
5 1/2-4	3600	DF112M	193382.60	√	1,538	C112T34FZ27	104	575	5.1	88.5	1.15	16.14	C, CN
5 1/2-4	1800	DF112M	193383.60	√	1,482	C112T17FZ24	104	575	5.6	89.5	1.15	18.42	C, CN
7 1/2-5.5	3600	DF132S	193384.60	√	1,929	C132T34FZ51	152	575	7.0	89.5	1.15	18.26	C, CN
7 1/2-5.5	1800	DF132S	193385.60	√	1,929	C132T17FZ49	150	575	7.9	91.7	1.15	18.27	C, CN
10-7.5	3600	DF132S	193386.60	√	2,062	C132T34FZ52	163	575	9.6	90.2	1.15	18.26	C, CN
10-7.5	1800	DF132M	193387.60	√	2,287	C132T17FZ50	174	575	9.6	91.7	1.15	18.26	C, CN

Shaded model numbers are cast iron frame

Continued On Next Page

Green items are Premium Efficient

♥ Note listing on inside back flap

D - Item to be discontinued once inventory is depleted

Specifications are subject to change without notice





IEC Metric Motors

575 Volt Metric Motors

AC Metric (IEC) Motors - B3 Flange - Three Phase - Rigid Base

Pump Motors

Washguard Motors

Agricultural Duty Motors

HVAC / Fan Motors

Special Voltage Motors

Definite Purpose Motors

Brake Motors

IEC Motors

DC Motors

Three Phase - TEFC - B3 Flange - Rigid Base - IP55

HP/kW	SYN RPM 60 Hz	IEC Frame	Catalog Number	Stock	List Price	Model Number	App. Wgt. (lbs)	Voltage	F. L. Amps @ 230 V	% FL. Eff.	Service Factor	"C" Dim. (Inches)	♥Notes
15-11	3600	DF160M	193388.60	√	3,343	C160T34FZ68	260	575	14.0	91.0	1.2	23.62	C, CN
15-11	1800	DF160M	193389.60	√	3,343	C160T17FZ49	264	575	14.5	92.4	1.15	23.62	C, CN
20-15	3600	DF160M	193390.60	√	3,920	C160T34FZ69	269	575	18.4	91.0	1.15	23.62	C, CN
20-15	1800	DF160L	193391.60	√	4,133	C160T17FZ50	311	575	20.0	93.0	1.15	23.62	C, CN
25-18.5	3600	DF160L	193392.60	√	4,772	C160T34FZ70	319	575	23.2	91.7	1.15	23.62	C, CN
25,85	1800	DF180M	193393.60	√	5,252	C180T17FZ45	381	575	23.0	93.6	1.15	26.77	C, CN
30-22	3600	DF180M	193394.60	√	5,671	C180T34FZ21	355	575	27.4	91.7	1.15	26.77	C, CN
30-22	1800	DF180L	193395.60	√	5,906	C180T17FZ46	427	575	28.0	93.6	1.15	26.77	C, CN
40-30	3600	DF200L	193396.60	√	8,074	C200T34FZ39	522	575	28.4	92.4	1.15	29.52	C, CN
40-30	1800	DF200L	193397.60	√	8,693	C200T17FZ22	531	575	38.0	94.7	1.15	29.52	C, CN
50-37	3600	DF200L	193398.60	C/A	10,588	C200T34FZ40	546	575	45.0	93.0	1.15	29.52	C, CN
50-37	1800	DF225S	193399.60	C/A	12,056	C225T17FZ22	632	575	47.5	94.5	1.15	32.95	C, CN

Shaded model numbers are cast iron frame

♥ Note listing on inside back flap
Specifications are subject to change without notice

Green items are Premium Efficient

C/A - Check Availability



IEC Metric Motors

Metric Motor Kits - B5 & B14 Flanges

Specifications:

- Includes parts to convert B3 rigid motors to either a B5 or B14 flange

Flange Kits - IEC Motors



Note: ".30" Kit Numbers to be used with the .30 Series IEC AL frame motors

IEC Frame	RPM	B5 Flange Kit	List Price	B14 Flange Kit	List Price
63	3600	175850.00	83	175851.00	74
63	3600	175850.30	88	175851.30	78
63	1800	175850.00	83	175851.00	74
63	1800	175850.30	88	175851.30	78
63	1200	175850.00	83	175851.00	74
63	1200	175850.30	88	175851.30	78
71	3600	175852.00	98	175853.00	79
71	3600	175852.30	104	175853.30	84
71	1800	175852.00	98	175853.00	79
71	1800	175852.30	104	175853.30	84
71	1200	175852.00	98	175853.00	79
71	1200	175852.30	104	175853.30	84
80	3600	175854.00	109	175855.00	91
80	3600	175854.30	115	175855.30	96
80	1800	175854.00	109	175855.00	91
80	1800	175854.30	115	175855.30	96
80	1200	175854.00	109	175855.00	91
80	1200	175854.30	115	175855.30	96
90	3600	175856.00	112	175857.00	101
90	3600	175856.30	119	175857.30	107
90	1800	175856.00	112	175857.00	101
90	1800	175856.30	119	175857.30	107
90	1200	175856.00	112	175857.00	101
90	1200	175856.30	119	175857.30	107
100	3600	175810.60	184	175817.60	162
100	1800	175810.60	184	175817.60	162
100	1200	175810.60	184	175817.60	162
112	3600	175811.60	194	175818.60	178
112	3600	175827.60Δ	194	175832.60Δ	178
112	1800	175811.60	194	175818.60	178
112	1800	175827.60Δ	194	175832.60Δ	178
112	1200	175810.60	184	175817.60	162
132	3600	175812.60	261	175819.60	238
132	3600	175828.60Δ	261	175833.60Δ	238
132	1800	175812.60	261	175819.60	238
132	1200	175812.60	261	175819.60	238
160	3600	175990.60	458	175991.60	455
160	3600	175829.60Δ	490	175834.60Δ	455
160	1800	175990.60	458	175991.60	455
160	1200	175990.60	458	175991.60	455
180	3600	175890.60	572	—	—
180	3600	175830.60Δ	572	—	—
180	1800	175890.60	572	—	—
180	1200	175890.60	572	—	—
200	3600	175994.60	792	—	—
200	3600	175831.60Δ	792	—	—
200	1800	175994.60	792	—	—
200	1200	175994.60	792	—	—
225	3600	175837.60	1.015	—	—
225	1800	175995.60	1.015	—	—
225	1200	175995.60	1.015	—	—
250	3600	175777.60	1.015	—	—
250	1800	175619.60	1.015	—	—
250	1200	175619.60	1.015	—	—
280	3600	175839.60	1.047	—	—
280	1800	175835.60	1.047	—	—
280	1200	175835.60	1.047	—	—

Δ For IEC motors built after June 2011
Specifications are subject to change without notice



Specifications:

Used to convert a metric motor to have a reduced B14 flange mount.
 Example: You can change an 80 frame IEC motor to have a 71 frame B14 flange. Comes complete with necessary hardware and oil seals for easy field mounting.



IEC Motor Frame	B14 Flange Frame	Catalog Number	List Price
63	56	175900.00	66
71	63	175901.00	73
80	71	175902.00	83
90	80	175903.00	86

Used to convert "00" design motors only
 No reduced diameter kits for "30" series IEC motors

IEC Brakemotors

These motors meet North American performance standards, premium energy efficiency mandates and have a 1.15 service factor. Typically used for replacement on machine tools, textile tools, textile machinery and other equipment with metric dimensions but requires the high torque and performance of motors designed for use in North America.



Features:

- Cast iron frame construction
- 60/50 Hz interchangeability
- 230 volt brake coil
- IP55 enclosure protection
- B3 mounting
- B5 & B14 flange kits available
- UL listed and CSA certified



AC Metric - Three Phase - TEFC - B3 Mounting - Rigid Base

HP/kW	SYN RPM 60 Hz	NEMA Frame	Brake Rating (ft-lbs)	Catalog Number	Stock	List Price	Model Number	App. Wgt. (lbs)	Voltage	F. L. Amps @ 230 V	% FL. Eff.	Service Factor	"C" Dim. (Inches)	♥Notes
1-0.75	1800	80M	6	194222.00	✓	1,493	C80T17FZ47A	52	230/460	3.00	83.5%	1.15	13.19	C, CN
1 1/2-1.1	1800	90S	12	194223.00	✓	1,702	C90T17FZ31A	81	230/460	4.22	86.5%	1.15	15.48	C, CN
2-1.5	1800	90L	12	194224.00	✓	1,792	C90T17FZ32A	81	230/460	5.62	86.5%	1.15	15.48	C, CN
3-2.2	1800	100L	24	194225.00	✓	2,162	C100T17FZ49A	110	230/460	7.84	89.5%	1.15	18.13	C, CN
4-3	1800	112M	44	194226.00	✓	2,269	C112T17FZ30A	130	230/460	10.50	89.5%	1.15	19.08	C, CN
5 1/2-4	1800	112M	74	194227.00	✓	2,636	C112T17FZ31A	136	230/460	14.00	89.5%	1.15	19.08	C, CN

Green items are Premium Efficient

♥ Note listing on inside back flap
 Specifications are subject to change without notice

IEC Frame	B5 Flange Kit	List Price	B14 Flange Kit	List Price
80M	176177.00	115	176181.00	96
90S	176178.00	119	176182.00	107
90L	176178.00	119	176182.00	107
100L	176179.00	169	176183.00	162
112M	176180.00	179	176184.00	178
112M	176180.00	179	176184.00	178

Note: These flange kits can only be used with the IEC brakemotors



IEC Metric Motors

IEC Washguard® All-Stainless AC Motors



IEC B5 Flange - Round Body

IEC B5 Flange - Round Body - Three Phase - TENV/TEFC

HP/kW	SYN RPM 60 Hz	IEC Frame	Catalog Number	Stock	List Price	Model Number	App. Wgt. (lbs)	Voltage	F. L. Amps @ 230 V	% FL. Eff.	Service Factor	"C" Dim. (Inches)	♥Notes
1/3-0.25	1800	71	103403.00	√	1,632	CZ4T17VZ16	30	208-230/460	1.3	70.5	1.15	9.87	S, US, 12
1/3-0.25	1800	80	103405.00	√	1,632	CZ4T17VZ17	30	208-230/460	1.3	70.5	1.15	9.87	S, US, 12
1/2-0.37	1800	71	103404.00	√	1,687	CZ4T17VZ6	32	208-230/460	1.6	76.0	1.15	11.62	S, US, 12
1/2-0.37	1800	80	103406.00	√	1,687	CZ4T17VZ7	32	208-230/460	1.6	76.0	1.15	11.62	S, US, 12
3/4-0.55	1800	80	103407.00	√	1,789	CZ4T17WZ9	38	208-230/460	2.3	77.0	1.15	12.26	S, US, 13
1-0.75	1800	90	119507.00	√	2,080	CZ6T17WC55	47	230/460	3.2	85.5	1.15	12.59	S, US, 13
1.5 - 1.1	1800	90	119508.00	√	2,178	CZ6T17WC60	52	230/460	4.8	86.5	1.15	13.34	S, US, 13
2 - 1.5	1800	90	119509.00	√	2,374	CZ6T17WC59	49	208-230/460	5.8	86.5	1.15	13.84	S, US, 13

Green items are Premium Efficient

Note 12 - TENV
Note 13 - TEFC

♥ Note listing on inside back flap
Specifications are subject to change without notice

IEC B14 Flange - Round Body

IEC B14 Flange - Round Body - Three Phase - Totally Enclosed

HP/kW	SYN RPM 60 Hz	IEC Frame	Catalog Number	Stock	List Price	Model Number	App. Wgt. (lbs)	Voltage	F. L. Amps @ 230 V	% FL. Eff.	Service Factor	"C" Dim. (Inches)	♥Notes
1/3-0.25	1800	71	103395.00	√	1,772	CZ4T17VZ13	30	208-230/460	1.3	70.5	1.15	9.83	S, US, 12
1/3-0.25	1800	80	103397.00	√	1,632	CZ4T17VZ14	30	208-230/460	1.3	70.5	1.15	9.72	S, US, 12
1/2-0.37	1800	71	103396.00	√	1,687	CZ4T17VZ3	32	208-230/460	1.6	76.0	1.15	11.58	S, US, 12
1/2-0.37	1800	80	103398.00	√	1,687	CZ4T17VZ4	32	208-230/460	1.6	76.0	1.15	11.58	S, US, 12
3/4-0.55	1800	80	103399.00	√	1,789	CZ4T17WZ7	38	208-230/460	2.3	77.0	1.15	12.48	S, US, 13

Note 12 - TENV
Note 13 - TEFC

♥ Note listing on inside back flap
Specifications are subject to change without notice

IEC B5 Flange - Rigid Base

IEC B3/ B5 Flange - Rigid Base - Three Phase - Totally Enclosed

HP/kW	SYN RPM 60 Hz	IEC Frame	Catalog Number	Stock	List Price	Model Number	App. Wgt. (lbs)	Voltage	F. L. Amps @ 230 V	% FL. Eff.	Service Factor	"C" Dim. (Inches)	♥Notes
1/3-0.25	1800	80	103408.00	√	1,659	CZ4T17VZ18	30	208-230/460	1.3	70.5	1.15	9.50	S, US, 12
1/2-0.37	1800	80	103409.00	√	1,711	CZ4T17VZ8	32	208-230/460	1.6	76.0	1.15	12.75	S, US, 12
3/4-0.55	1800	80	103410.00	√	1,883	CZ4T17WZ10	38	208-230/460	2.3	77.0	1.15	12.26	S, US, 13

Note 12 - TENV
Note 13 - TEFC

♥ Note listing on inside back flap
Specifications are subject to change without notice

IEC B14 Flange - Rigid Base

IEC B3 / B14 Flange - Rigid Base - Three Phase - Totally Enclosed

HP/kW	SYN RPM 60 Hz	IEC Frame	Catalog Number	Stock	List Price	Model Number	App. Wgt. (lbs)	Voltage	F. L. Amps @ 230 V	% FL. Eff.	Service Factor	"C" Dim. (Inches)	♥Notes
1/3-0.25	1800	80	103400.00	√	1,687	CZ4T17VZ15	31	208-230/460	1.3	70.5	1.15	9.72	S, US, 12
1/2-0.37	1800	80	103401.00	√	1,923	CZ4T17VZ5	33	208-230/460	1.6	76.0	1.15	11.58	S, US, 12
3/4-0.55	1800	80	103402.00	√	1,932	CZ4T17WZ8	39	208-230/460	2.3	77.0	1.15	12.48	S, US, 13

Note 12 - TENV
Note 13 - TEFC

♥ Note listing on inside back flap
Specifications are subject to change without notice





IEC Metric Motors

Metric (IEC) Frame PMDC Motors - All-Stainless DC Motors - SCR Rated

IP55 Enclosure Protection

TEFC - SCR Rated 180V - C Face With Base

HP/kW	Full Load RPM	IEC Frame	Catalog Number	Stock	List Price	Model Number	App. Wgt. (lbs)	Arm. Volts DC	Control Volts AC Input	FL. Amps DC	"C" Dim. (Inches)	♥Notes
1/3 - 0.25	1750	80D	109068.00	√	1,684	4D17VK27	44	180	230	1.9	12.81	S, US, 12
1/2 - 0.37	1750	80D	109071.00	√	1,967	4D17WK11	46	180	230	2.7	13.87	S, US, 13
3/4 - 0.55	1750	80D	109074.00	√	2,395	4D17WK15	48	180	230	3.7	15.37	S, US, 13
1 - 0.75	1750	80D	109077.00	√	2,779	4D17WK18	50	180	230	5.0	16.37	S, US, 13

Base is welded to frame and not removable.

♥ Note listing on inside back flap
Specifications are subject to change without notice

Note 12 - TENV
Note 13 - TEFC

TEFC - SCR Rated 180V - C Face Less Base

HP/kW	Full Load RPM	IEC Frame	Catalog Number	Stock	List Price	Model Number	App. Wgt. (lbs)	Arm. Volts DC	Control Volts AC Input	FL. Amps DC	"C" Dim. (Inches)	♥Notes
1/3 - 0.25	1750	80D	109081.00	√	1,647	4D17VC8	44	180	230	1.9	12.81	S, US, 12
1/2 - 0.37	1750	80D	109084.00	√	1,932	4D17WC4	46	180	230	2.7	13.87	S, US, 13
3/4 - 0.55	1750	80D	109087.00	√	2,358	4D17WC7	48	180	230	3.7	15.37	S, US, 13
1 - 0.75	1750	80D	109090.00	√	2,744	4D17WC10	50	180	230	5.0	16.37	S, US, 13

Note 12 - TENV
Note 13 - TEFC

♥ Note listing on inside back flap
Specifications are subject to change without notice

Flange And Face Kits for Stainless Steel DC Metric (IEC) Frame Motors

The modular design concept of LEESON's other metric DC motors has been applied to the all-stainless metric motors. Any flange or face kit can mount on any motor. This allows the greatest flexibility from the smallest inventory of motors.

B5 Flange Kits (For Stainless DC Metric Motors)

IEC Frame	Catalog Number	List Price	App. Wgt. (lbs)	BD Flange Dia. (mm)	AK Register (mm)	BF Hole (mm)	AJ Bolt Circle (mm)
71	175593.00	212	2	160	110	9	130
80	175594.00	255	3	200	130	12	165
90S/90L	175594.00	255	3	200	130	12	165
100L/112M	175595.00	399	5	250	180	15	215

Specifications are subject to change without notice

B14 Flange Kits (For Stainless DC Metric Motors)

IEC Frame	Catalog Number	List Price	App. Wgt. (lbs)	BD Flange Dia. (mm)	AK Register (mm)	BF Hole (mm)	AJ Bolt Circle (mm)
71	175596.00	175	1	105	70	6	85
80	175597.00	161	1	120	80	6	100
90S/90L	175598.00	439	1	140	95	6	115
100L/112M	175599.00	399	2	160	110	6	130

Specifications are subject to change without notice



Pump Motors

Washguard Motors

Agricultural Duty Motors

HVAC / Fan Motors

Special Voltage Motors

Definite Purpose Motors

Brake Motors

IEC Motors

DC Motors

IEC Metric Motors

DC Metric Motors

Metric (IEC) Frame - SCR Rated - IP54



Application Notes:

Please note that one or more of the mounting kits must be used with IEC motors of these frame sizes. See listing on next page for B5 flange and B14 face kits. B3 rigid base kits are listed below.

General Specifications:

- Built to IEC 34-1 electrical and mechanical standards
- IEC 63 and smaller frames supplied with an integral B5 flange or B14 face
- Optional B3 Rigid base kit available
- IEC 71 frame and larger can be field modified for B3 rigid base, B5 flange, or B14 face construction using conversion kits
- Tachometer mounting kits available for 71 frame only

Features:

- Terminal board provided for connections
- All metric fasteners
- Easy brush access for field service
- Oversize brushes for extended life
- High strength rolled steel frame
- Die cast aluminum endshields with steel bearing inserts
- Permanently lubricated sealed ball bearings
- Reversible rotation
- Simple 2-lead
- Convenient wiring access
- Tachometer mounting kits available for 71 frame only



180 Volts - Totally Enclosed - B5 Flange

kW/HP	Full Load RPM	IEC Frame	Catalog Number	Stock	List Price	Model Number	App. Wgt. (lbs)	DC Voltage	Control Volts AC Input	FL. Amps @ 180 VDC	"C" Dim. (Inches)	♥Notes
0.06/1/12	1750	56	M1130146.00	C/A	533	CIM34D18ND1	8	180	230	0.5	6.24	S, US, 12
0.09/1/8	3000	56	M1130150.00	√	533	CIM34D30ND1	9	180	230	0.7	6.74	S, US, 12
0.09/1/8	1750	56	M1130147.00	√	571	CIM34D18ND2	10	180	230	0.7	7.55	S, US, 12
0.12/1/6	3000	56	M1130151.00	√	553	CIM34D30ND2	9	180	230	0.9	7.55	S, US, 12
0.12/1/6	1750	63	M1130148.00	√	653	CIM34D18FD1	7	180	230	0.9	8.30	S, US, 13
0.18/1/4	3000	63	M1130152.00	√	604	CIM34D30ND3	11	180	230	1.3	8.78	S, US, 12
0.18/1/4	1750	63	M1130149.00	√	702	CIM34D18FD2	13	180	230	1.3	9.50	S, US, 13
0.25/1/3	3000	63	M1130153.00	√	669	CIM34D30FD1	11	180	230	1.7	9.50	S, US, 13

These motors have accommodations for B3 base mountings with the kits - see page 314

♥ Note listing on inside back flap
Specifications are subject to change without notice

Note 12 - TENV

Note 13 - TEFC

C/A - Check availability



IEC Metric Motors

DC Metric Motors

Metric (IEC) Frame - SCR Rated - IP54

180 volts - Totally Enclosed - B14 Flange

kW/HP	Full Load RPM	IEC Frame	Catalog Number	Stock	List Price	Model Number	App. Wgt. (lbs)	DC Voltage	Control Volts AC Input	F.L. Amps @ 180 VDC	"C" Dim. (Inches)	♥Notes
0.06/1/12	3000	56	M1110024.00	√	477	980.542	6	180	230	0.4	6.34	S, US, 12
0.06/1/12	1750	56	M1130136.00	√	578	CIM34D18NC5	8	180	230	0.5	6.24	S, US, 12
0.09/1/8	3000	56	M1130140.00	√	533	CIM34D30NC1	9	180	230	0.7	6.74	S, US, 12
0.09/1/8	1750	56	M1130137.00	√	620	CIM34D18NC6	14	180	230	0.7	7.55	S, US, 12
0.12/1/6	3000	56	M1130141.00	√	600	CIM34D30NC2	10	180	230	0.9	7.55	S, US, 12
0.12/1/6	1750	63	M1130138.00	√	653	CIM34D18FC1	8	180	230	0.9	8.30	S, US, 13
0.18/1/4	3000	63	M1130142.00	√	604	CIM34D30NC3	10	180	230	1.3	8.78	S, US, 12
0.18/1/4	1750	63	M1130139.00	√	702	CIM34D18FC2	10	180	230	1.3	9.50	S, US, 13
0.25/1/3	3000	63	M1130143.00	√	669	CIM34D30FC1	10	180	230	1.7	9.50	S, US, 13

Except for M1110024.00, these motors have accommodations for B3 base mountings with the kits - see page 314

♥ Note listing on inside back flap Specifications are subject to change without notice

Note 12 - TENV
Note 13 - TEFC



180 volts - Totally Enclosed - Round Body

kW/HP	Full Load RPM	IEC Frame	Catalog Number	Stock	List Price	Model Number	App. Wgt. (lbs)	DC Voltage	Control Volts AC Input	F.L. Amps @ 180 VDC	"C" Dim. (Inches)	♥Notes
0.25/1/3	1750	71	098014.00	√	699	42D17FT1	23	180	230	1.7	11.28	S, US
0.37/1/2	3000	71	098016.00	√	769	42D34FT1	21	180	230	2.5	10.78	S, US
0.37/1/2	1750	71	098015.00	√	792	42D17FT2	26	180	230	2.5	11.78	S, US
0.55/3/4	3000	71	098017.00	√	858	42D34FT2	24	180	230	3.6	11.78	S, US
0.55/3/4	1750	80	108369.00	√	981	4D17FT1	34	180	230	3.5	14.64	S, US
0.75/1	3000	80	108372.00	√	981	4D34FT1	45	180	230	4.9	14.64	S, US
0.75/1	1750	80	108370.00	√	1,210	4D17FT2	48	180	230	4.6	17.14	S, US
1.1/11/2	3000	80	108373.00	√	1084	4D34FT2	47	180	230	7.1	16.14	S, US
1.1/11/2	1750	80	108371.00	√	1,597	4D17FT3	52	180	230	7.0	17.14	S, US
1.1/11/2	1750	90L	118007.00	√	2,379	CI6D17FT1	64	180	230	7.5	18.97	S, US
1.5/2	3000	90L	118009.00	√	2,583	CI6D34FT1	72	180	230	10.0	18.47	S, US
1.5/2	1750	90L	118008.00	√	2,854	CI6D17FT2	84	180	230	9.5	20.47	S, US
2.2/3	3000	90L	118010.00	√	3,099	CI6D34FT2	82	180	230	16.0	19.47	S, US
2.2/3	1750	112M	118014.00	√	3,984	CI6D17FK1	90	180	230	14.0	21.79	S, US

IMPORTANT: These round body motors require either a B3 rigid base, B14 face or B5 flange kit - see page 314. Catalog number 118014.00 comes complete with IEC 112 B14 face and B3 foot; shaft diameter is 24mm.

♥ Note listing on inside back flap Specifications are subject to change without notice



- Pump Motors
- Washguard Motors
- Agricultural Duty Motors
- HVAC / Fan Motors
- Special Voltage Motors
- Definite Purpose Motors
- Brake Motors
- IEC Motors
- DC Motors

IEC Metric Motors

Metric (IEC) Frame - SCR Rated

(For DC Metric Motors Only)

All motors are stocked with provisions to accommodate B3 foot mountings with the packages noted below.

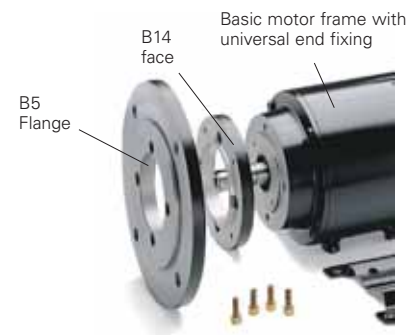
B3 Foot Mounting Kits

IEC Frame	Catalog Number	List Price
56	175142.00	87
63	175143.00	80
71	175144.00	88
80	175145.00	95
80	175784.00†	95
90	175146.00	66

† For endshield mounted brush cover motors

Flange Kits

Flange and Face Kits for DC Metric (IEC) Frame Motors. An advantage of our modular design concept is the possible use of a different diameter B5 flange or B14 face than is normally assigned to a motor by IEC dimensional standards. This flexibility makes it possible to accommodate a wide variety of gear reducers, pumps and similar close coupled motor mounted loads.



B5 Flange Kits (For DC Metric Motors Only)

IEC Frame	Catalog Number	List Price	App. Wgt. (lbs)	AK Register (mm)	BF Hole (mm)	AJ Bolt Circle (mm)	BD Flange Dia. (mm)
71	175106.00	97	2	110	9	130	160
80	175108.00	97	3	130	12	165	200
90S/90L	175108.00	97	3	130	12	165	200
100L/112M	175137.00	239	5	180	15	215	250

Specifications are subject to change without notice



B14 Face Kits (For DC Metric Motors Only)

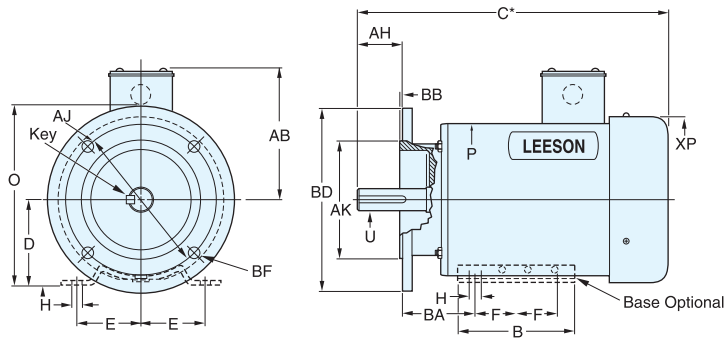
IEC Frame	Catalog Number	List Price	App. Wgt. (lbs)	AK Register (mm)	BF Hole (mm)	AJ Bolt Circle (mm)	BD Flange Dia. (mm)
71	175107.00	97	1	70	6	85	105
80	175109.00	97	1	80	6	100	120
90S/90L	175129.00	106	1	95	6	115	140
100L/112M	175130.00	239	2	110	6	130	160

Specifications are subject to change without notice

IEC Metric Motors

DC Metric Motors

Metric (IEC) Frame - SCR Rated



*For overall length, see motor listing.

IEC Frame Dimensions (Millimeters)

IEC Frame	Mounting					Shaft						B14 Face/B5 Flange					General								
	2E	2F	BA	D	H	U	AHG	KEY	S	R	TAP	AJ	AK	BD	BF	BB	AB	XP	B	O					
56	90	71	36	56	6	9	20	15	3	7,0	M3	65	100	50	80	120	M5	7	2.5	2.5	83	96	90	99	
63	100	80	40	63	7	11	23	19	4	9,0	M4	75	115	60	95	90	140	M5	9	2.5	3.0	116	96	96	108
71	112	90	45	71	7	14	30	26	5	11,5	M5	85	130	70	110	105	160	M6	9	2.5	3.5	114	130	105	132
80	125	100	50	80	10	19	40	33	6	16,0	M6	100	165	80	130	120	200	M6	12	3.0	3.5	124	149	127	151
90S	140	100	56	90	10	24	50	36	8	20,5	M8	115	165	95	130	140	200	M8	12	3.0	3.5	135	182	152	173
90L	140	125	56	90	10	24	50	36	8	20,5	M8	115	165	95	130	140	200	M8	12	3.0	3.5	135	182	152	173
100L	160	140	63	100	12	28	60	41	8	24,5	M10	130	215	110	180	160	250	M8	15	3.5	4.0	135	182	176	173
112M	190	140	70	112	12	28	60	41	8	24,5	M10	130	215	110	180	160	250	M8	15	3.5	4.0	162	231	176	225

↔ Without face or flange, AH shaft dimension is 12mm longer.

Specifications are subject to change without notice

IEC Metric Motors

DC Metric Motors

Low Voltage - DC Metric - IP54



General Specifications:

- Built to IEC 34-1 electrical and mechanical standards
- IEC 63 and smaller frames supplied with an integral B5 Flange or B14 face
- Optional B3 Rigid base kit available
- IEC 71 frame and larger can be field modified for B3 Rigid Base, B5 Flange, or B14 face construction using conversion kits
- Tachometer mounting kits available for 71 and 80 frames only

Features:

- Cast aluminum conduit box
- Terminal board provided for connections
- All metric fasteners
- Easy brush access for field service
- Oversize brushes for extended life
- High strength rolled steel frame
- Die cast aluminum endshields with steel bearing inserts
- Permanently lubricated sealed ball bearings
- Reversible rotation
- Simple 2-lead connection
- Convenient wiring access
- Tachometer mounting kits available for 71 and 80 frames only



24 Volt - TEFC/TENV - Modular Design

HP/kW	Full Load RPM	IEC Frame	Catalog Number	Stock	List Price	Model Number	App. Wgt. (lbs)	DC Voltage	FL. Amps DC	"C" Dim. (Inches)	♥Notes
1/12/0.06	3000	56	M1110025.00	√	435	980.543	5	24	3.3	5.34	S, US, 12, >
1/12/0.06	1750	56	M1110026.00	√	490	980.544	6	24	3.4	6.34	S, US, 12, >
1/4/0.18	3000	63	M1130206.00	√	554	CIM34D30FD2	13	24	11.0	7.75	S, US, □
1/4/0.18	3000	63	M1130296.00	√	601	CIM34D30FC7	9	24	11.0	7.75	S, US, >
1/4/0.18	1750	63	M1130207.00	√	633	CIM34D18FD6	13	24	10.0	8.75	S, US, □
1/4/0.18	1750	63	M1130297.00	√	688	CIM34D18FC10	9	24	10.0	8.75	S, US, >
1/4/0.18	1750	71	098065.00	√	759	CI42D17FT6	19	24	11.0	10.77	S, US
1/2/0.37	3000	71	098066.00	√	852	CI42D34FT7	23	24	20.0	11.27	S, US
1/2/0.37	1750	71	098067.00	√	831	CI42D17FT7	23	24	20.0	12.27	S, US
1/0.75	3000	80	108456.00	√	913	CI4D34FT5	33	24	40.0	14.14	S, US, 35
1/0.75	1750	80	108455.00	√	1,158	CI4D17FT6	52	24	39.0	14.64	S, US, 35
1 1/2/1.1	3000	80	108457.00	√	1,099	CI4D34FT6	33	24	65.0	15.64	S, US, 35
2/1.5	3000	80	108458.00	√	1,165	CI4D34FT7	43	24	78.0	17.14	S, US, 35

Note 12 - TENV

Note 35 - Terminal bolts at 12:00

IMPORTANT: IEC 71 and 80 frame motors in this chart are round body and require either B14 face, B5 flange or B3 foot from kits shown on page 314.

□ Dedicated B5 Flange

> Dedicated B14 Face

♥ Note listing on inside back flap
Specifications are subject to change without notice



IEC Metric Motors

DC Metric Motors

Low Voltage Commercial Duty Metric (IEC) Frame Motors



Features:

- Specially designed low voltage DC for use in OEM applications
- Combination of features and low cost make these ideal for many uses
- IP44(TENV) enclosure
- Dedicated B14 face mount
- Rated S1 for continuous duty

12, 24 & 90 Volt - TENV - B14 Mount

HP	Full Load RPM	IEC Frame	Catalog Number	Stock	List Price	Model Number	App. Wgt. (lbs)	DC Voltage	FL. Amps DC	♥Notes
1/15	3000	56	980.159	✓	242	980.159	2.3	12	6.4	S, US
1/15	3000	56	980.143	✓	222	980.143	2.3	24	3.2	S, US
1/15	3000	56	980.549	✓	212	980.549	2.3	90	0.8	S, US
1/8	3000	56	970.600	✓	255	970.600	3.0	12	12.0	S, US
1/8	3000	56	970.601	✓	255	970.601	3.0	24	5.3	S, US
1/8	3000	56	970.576	✓	255	970.576	3.0	90	1.2	S, US
1/6	3000	56	970.620	✓	277	970.620	3.5	12	13.1	S, US
1/6	3000	56	970.621	✓	277	970.621	3.5	24	6.8	S, US
1/6	3000	56	970.577	✓	264	970.577	3.5	90	1.6	S, US

♥ Note listing on inside back flap
Specifications are subject to change without notice

The formulas for success.

Once you get to know the LEESON® IEC motor product line, you'll find a world of applications waiting for these solutions. To know the product is one thing—understanding the technical relationships with NEMA® motors is another. We are confident that the formulas below will help you when specifying a LEESON Passport Series IEC motor.

HORSEPOWER AND KILOWATTS	HP → kW: $HP * 0.746 = kW$ kW → HP: $kW * 1.3410 = HP$	Example: HP to kW Motor: 25HP NEMA $(25 * 0.746) = 18.7kW$
FULL LOAD TORQUE AND HORSEPOWER	Full Load Torque: $FL\ TRQ = (HP * 5252) / RPM$ Horsepower: $HP = (TRQ * FL\ RPM) / 5252$	Example: Full Load Torque Motor: 50HP, 1800 RPM $(50 * 5252) / 1800 = 145.9\ ft\text{-}lbs$
NEWTON METERS AND FOOT POUNDS	Newton Meters: $Nm = \sqrt{3} * ft\text{-}lbs$ Foot Pounds: $LB\text{-}FT = 1.36 * Nm$ <i>NOTE: Torque units = ft-lbs</i>	Example: Ft-Lbs to Nm Motor: 10HP, 1800 RPM = 30 ft-lbs $30 * 1.36 = 40.8\ Nm$
KVA/HP AND LOCKED ROTOR AMPS (STARTING AMPS)	LRA: $LRA = (KVA/HP * 1000 * HP) / (V * \sqrt{3})$ KVA/HP: $KVA/HP = (\sqrt{3} * V * LRA) / (1000 * HP)$	Example: LRA Motor: 93kW (125HP), NEMA Code G, 460V $(6.29 * 1000 * 125) / (460 * 1.73205) = 987\ Amps$ Example: KVA/HP Motor: 93kW (125HP), NEMA Code G, 460V $(1.73205 * 460 * 987) / (1000 * 125) = 6.29$
KILOVOLT-AMPS AND 3-PHASE FULL LOAD AMPS	KVA: $KVA = \sqrt{3} * V * FLA / 1000$ 3-Phase FLA: $FLA = (746 * HP) / (Volts * Eff. * PF * \sqrt{3})$	Example: 3-Phase FLA Motor: 93kW (125HP), 95.4% Efficiency, 86.0% PF $(746 * 125) / (460 * .954 * .86 * 1.73205) = 143$



Pump Motors

Washguard Motors

Agricultural Duty Motors

HVAC / Fan Motors

Special Voltage Motors

Definite Purpose Motors

Brake Motors

IEC Motors

DC Motors

DC Motors

Pump
Motors

Washguard
Motors

Agricultural
Duty Motors

HVAC / Fan
Motors

Special Voltage
Motors

Definite
Purpose Motors

Brake Motors

IEC Motors

DC Motors



- NEMA® DC, explosion proof, Sub-FHP, washdown, IEC and low voltage motors available
- Permanent magnet designs
- PWM or SCR rated and low voltage input voltage designs
- Removable bolt-on base
- Oversized brushes for long brush life
- Easy access to brushes
- Constant torque throughout speed range
- DC Controls available to change the speed of the motors

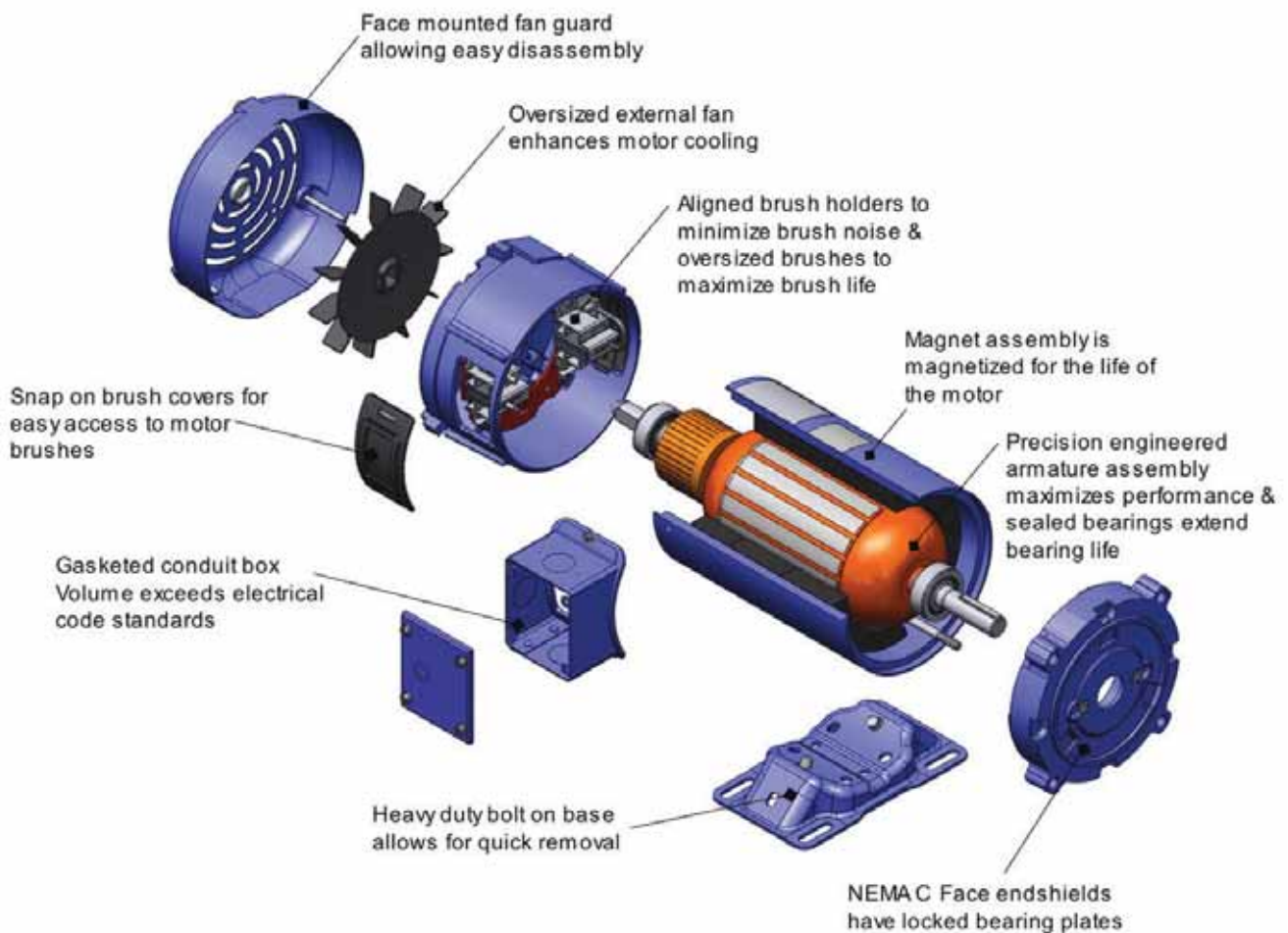
Applications:

DC motors are typically used in applications requiring motor speed adjustment, constant torque throughout the speed range and reversing capabilities. Applications include: pumps, conveyors, turntables, textile machinery, treadmills, reeling equipment, sports equipment and medical equipment.



Mechanical / Electrical Features:

- Brush holder design provides easy access to brushes
- Large oversized brushes assure long brush life
- Removable bolt-on base
- NEMA® C face designs
- 115 or 230 volt input power ratings – 90 / 180 volt output
- Capable of dynamic braking
- PWM or SCR type controller rated
- High starting torque
- Permanently lubricated sealed bearings
- LEESON® SCR controls available to power motors
- Higher HP and speed achievable using PWM type DC controls
- UL and CSA listed
- Meets NEMA MG1 standards
- Dynamically balanced armatures
- 30:1 constant torque operation



DC Motors

NEMA® Frame - SCR Rated



TEFC - SCR Rated 90 & 180 Volts

NEMA 56C - C Face With Removable Base

HP	Full Load RPM	NEMA Frame	Catalog Number	Stock	List Price	Model Number	App. Wgt. (lbs)	Arm. Volts DC	Control Volts AC Input	FL. Amps DC	"C" Dim. (Inches)	♥Notes
1/4	1750	SS56C	098002.00	√	747	42D17FK2	19	90	115	2.5	10.81	S, US
1/4	1750	SS56C	098003.00	√	747	42D17FK3	22	180	230	1.4	11.31	S, US
1/3	1750	SS56C	098004.00	√	792	42D17FK4	23	90	115	3.5	11.31	S, US
1/3	1750	SS56C	098005.00	√	792	42D17FK5	23	180	230	1.7	11.31	S, US
1/3	1140	S56C	109098.00	C/A	971	4D11FK5	32	90	115	3.5	12.81	S, US
1/2	2500	SS56C	098006.00	√	792	42D28FK1	22	90	115	5.0	10.81	S, US
1/2	2500	SS56C	098007.00	√	792	42D28FK2	22	180	230	2.5	10.81	S, US
1/2	1750	SS56C	098000.00	√	880	42D17FK1	26	90	115	5.0	11.81	S, US
1/2	1750	S56C	108014.00	√	925	4D17FK1	29	90	115	5.0	12.82	S, US
1/2	1750	SS56C	098008.00	√	880	42D17FK6	25	180	230	2.5	11.81	S, US
1/2	1750	S56C	108015.00	√	925	4D17FK2	30	180	230	2.5	12.82	S, US
1/2	1140	S56C	109099.00	√	1,021	4D11FK6	40	90	115	5.0	14.32	S, US
3/4	2500	SS56C	098009.00	√	949	42D28FK3	26	90	115	7.6	11.81	S, US
3/4	2500	S56C	108016.00	√	999	4D28FK3	29	90	115	7.6	12.82	S, US
3/4	2500	SS56C	098010.00	√	949	42D28FK4	25	180	230	3.8	11.81	S, US
3/4	2500	S56C	108017.00	√	999	4D28FK4	29	180	230	3.8	12.82	S, US
3/4	1750	SS56C	098032.00	√	1,070	42D17FK7	36	90	115	7.6	13.81	S, US
3/4	1750	S56C	108018.00	√	1,126	4D17FK3	38	90	115	7.6	13.82	S, US
3/4	1750	SS56C	098069.00	√	1,070	42D17FK11	36	180	230	3.8	13.81	S, US
3/4	1750	S56C	108019.00	√	1,126	4D17FK4	35	180	230	3.8	13.82	S, US
3/4	1140	S56C	109100.00	√	1,379	4D11FK7	49	90	115	7.5	15.82	S, US
1	2500	S56C	108020.00	√	1,070	4D28FK5	34	90	115	10.0	13.32	S, US
1	2500	S56C	108021.00	√	1,070	4D28FK6	38	180	230	5.0	13.82	S, US
1	1750	S56C	108022.00	√	1,310	4D17FK5	47	90	115	10.0	14.82	S, US
1	1750	S56C	108023.00	√	1,310	4D17FK6	39	180	230	5.0	14.81	S, US
1	1140	145TC	128023.00	C/A	2,609	C145D11FK1	82	90	115	11.0	18.84	S, US
1 1/2	2500	S56C	108265.00	√	1,584	4D28FK11	43	180	230	7.5	15.32	S, US
1 1/2	1750	S56C	108092.00	√	1,635	4D17FK10	53	180	230	7.6	16.82	S, US
1 1/2	1750	S56/145TC	108262.00	√	1,635	4D17FK19	54	180	230	7.6	17.39	S, US, 8
1 1/2	1750	145TC	128000.00	√	2,483	C145D17FK2	70	180	230	7.5	18.34	S, US
2	2500	S56/145TC	108266.00	√	2,483	4D28FK12	51	180	230	8.6	17.89	S, US, 8
2	1750	145TC	128010.00	√	2,965	C145D17FK3	83	180	230	9.5	19.34	S, US
2	1750	182/145TC	128001.00	√	2,965	C182D17FK3	84	180	230	9.5	19.34	S, US, 61
3	1750	182/145TC	108502.00	√	4,128	182D17FK2	88	180	230	14.0	21.75	S, US, 61

If base is removed, do not reinstall bolts without using washers to compensate for thickness of base.

♥ Note listing on inside back flap Specifications are subject to change without notice

C/A - Check availability





DC Motors NEMA® Frame - SCR Rated

TEFC - SCR Rated 90 & 180 Volts NEMA 56C - C Face Less Base

HP	Full Load RPM	NEMA Frame	Catalog Number	Stock	List Price	Model Number	App. Wgt. (lbs)	Arm. Volts DC	Control Volts AC Input	FL. Amps DC	"C" Dim. (Inches)	Notes
1/4	1750	SS56C	098377.00	√	720	42D17FC29	19	90	115	2.5	10.81	S, US
1/3	1750	SS56C	098378.00	√	767	42D17FC30	23	90	115	3.5	11.31	S, US
1/2	1750	SS56C	098379.00	√	855	42D17FC31	29	90	115	5.0	11.81	S, US
3/4	1750	SS56C	098380.00	√	1,044	42D17FC32	38	90	115	7.6	13.81	S, US
1	1750	S56C	109096.00	√	1,280	4D17FC42	47	90	115	10.0	14.82	S, US
1	1750	S56C	109097.00	√	1,280	4D17FC43	39	180	230	5.0	14.82	S, US

No tapped holes provided for attaching a bolt-on base.

♥ Note listing on inside back flap
Specifications are subject to change without notice

Tachometer kit includes all necessary hardware needed to mount on stock TEFC SCR motors. Consists of machined cast fan cover, coupling and hardware. Does not include tachometer. Tach adapter kit is not suitable for catalog number 108502.00.

Tachometer Mounting Kits For DC Motors

Tachometer Type	NEMA Frame	IEC Frame	Catalog Number	List Price	App. Wgt. (lbs)
GE® 5PY Series	SS56	71	175156.00	348	5
	56/145	90	175158.00	715	5
Servo-tek®	SS56	71	175157.00	398	8
SA740 Series	56/145	90	175159.00	815	8

No tachometer mounting kit available for S56C motors

Specifications are subject to change without notice



Motors with S56C or SS56C frame sizes may be converted to 42/48 C face using the following:

Modification Kits

Frame	Catalog Number	List Price
S56C	175080.00*	46

* Addition of base kit will result in non-NEMA BA dimension of 2 3/4".
Addition of C face kit will result in conduit box located at 1 o'clock facing lead end.

† For S56 frame endshield mounted brush cover motors
Specifications are subject to change without notice

DC motors in NEMA S56C frame may be converted to 48 base using the following:

Frame	Catalog Number	List Price
S56C	175082.00*	59
S56C	175802.00*†	59

* Addition of base kit will result in non-NEMA BA dimension of 2 3/4". Addition of C face kit will result in conduit box located at 1 o'clock facing lead end

† For S56 frame endshield mounted brush cover motors
Specifications are subject to change without notice

GE is believed to be a trademark of General Electric and is not owned or controlled by Regal Beloit Corporation.

NEMA is believed to be a trademark of National Electrical Manufacturers Corporation. All Rights Reserved.

Servo-Tek is believed to be a trademark of The March Bellofram Group and is not owned or controlled by Regal Beloit Corporation.



Pump Motors

Washguard Motors

Agricultural Duty Motors

HVAC / Fan Motors

Special Voltage Motors

Definite Purpose Motors

Brake Motors

IEC Motors

DC Motors

DC Motors

Explosion-Proof - SCR Rated

Application Notes:

These motors must be applied in accordance with the National Electrical Code, Article #500. For a listing of explosive agents, consult NFPA Publication 497M.

General Specifications:

- Approved for application in hazardous environments where certain explosive gases or materials are present

Features:

- Rugged mechanical construction
- Meets all safety requirements
- UL and CSA listed
- Leads exit thru 3/4"-14 NPT pipe nipple at top of frame opposite shaft end
- Optional Conduit box available - use Kit 175026.00
- Pilot duty thermostats - standard (connect to SCR control)
- Thermostats rated for continuous duty with full wave SCR (thyristor) controls
- Double shielded, pre-lubricated ball bearings - standard
- Easy brush access for field service



Explosion-Proof - Class I, Groups C & D – Class II, Groups F & G 90 & 180 Volt - TEFC - C Face With Removable Base

HP	Full Load RPM	NEMA Frame	Catalog Number	Stock	List Price	Model Number	App. Wgt. (lbs)	Arm. Volts DC	Control Volts AC Input	FL. Amps DC	"C" Dim. (Inches)	♥Notes
1/3	1750	S56C	118015.00	√	2,556	C6D17EK1	27	90	115	3.5	13.41	S, US
1/2	1750	S56C	118016.00	√	2,886	C6D17EK2	30	90	115	4.7	14.41	S, US
1/2	1750	S56C	118017.00	√	2,886	C6D17EK3	32	180	230	2.5	14.41	S, US
3/4	1750	S56C	118018.00	√	3,576	C6D17EK4	40	90	115	7.1	16.41	S, US
3/4	1750	S56C	118019.00	√	3,576	C6D17EK5	36	180	230	3.3	16.41	S, US

♥ Note listing on inside back flap
Specifications are subject to change without notice

Low Voltage DC Explosion Proof Motors

- Division 1 and 2, Class I (Groups C and D), Class II (Groups F and G) and Class III
- Removable base
- Class H insulation
- Optional conduit box available - use kit 175026.00

12 and 24 Volts - TENV - Rigid C Face

HP	Full Load RPM	NEMA Frame	Catalog Number	Stock	List Price	Model Number	App. Wgt. (lbs)	Arm. Volts DC	FL. Amps DC	Torque (lb-in)	"C" Dim. (Inches)	♥Notes
1/3	1750	56C	118054.00	√	3,767	C6D17EK6	19	12	28.0	12.0	10.38	S, US
1/3	1750	56C	118055.00	√	3,767	C6D17EK7	24	24	13.4	12.0	10.38	S, US
3/4	1750	56C	118056.00	√	4,775	C6D17EK8	33	24	28.2	27.0	13.38	S, US

♥ Note listing on inside back flap
Specifications are subject to change without notice

NEMA Frame - Washguard® Duty Motor - 90 & 180 Volts

General Specifications:

- Extended life in wet, high humidity applications - IP55
- Design repels water from entering motor
- Internal components protected against rust and corrosion
- Frame, base, endshields, armature and interior components protected by enamel and polyester compounds of outstanding adhesion and resistance to moisture, acids, alkalis and oil



Features:

- 303 stainless steel shaft resists corrosion
- Lubricated spring loaded contact seals prevent moisture from entering the motor
- Patented "V" ring Forsheda® seal deflects water
- Double sealed, oversize bearings with high temp lubricant
- Exterior and interior components protected against moisture, acids, alkalis and oil
- Cast conduit box for superior sealing includes:
 - Threaded entrance
 - Drain holes
 - Nitrile gaskets
- 304 stainless steel conduit box cover and fan cover
- Re-positionable drain plugs for use in multiple mounting positions
- Nylon seals at bolt heads for superior sealing
- Machined fits throughout
- Stainless steel data plate
- Chemically inert, static free fan with positive mounting ensures it won't move
- Stainless steel fan guard
- USDA approved white epoxy finish

90 & 180 Volts - Totally Enclosed - C Face With Removable Base

HP	Full Load RPM	NEMA Frame	Catalog Number	Stock	List Price	Model Number	App. Wgt. (lbs)	Arm. Volts DC	Control Volts AC Input	FL. Amps DC	"C" Dim. (Inches)	♥Notes
1/4	1750	S56C	108423.00	√	957	C4D17VK9	23	90	115	2.7	10.69	S, US
1/4	1750	S56C	098375.00	C/A	957	C42D17VK1	21	180	230	1.4	10.22	S, US
1/3	1750	S56C	108424.00	√	1,012	C4D17VK10	26	90	115	3.5	11.69	S, US
1/3	1750	S56C	098376.00	C/A	1,012	C42D17VK2	22	180	230	1.7	10.22	S, US
1/2	1750	S56C	108226.00	√	1,136	C4D17VK1	38	90	115	4.9	13.69	S, US
1/2	1750	S56C	108227.00	√	1,136	C4D17VK2	43	180	230	2.4	13.69	S, US
3/4	1750	S56C	108228.00	√	1,379	C4D17VK3	53	90	115	7.0	15.69	S, US
3/4	1750	S56C	108229.00	√	1,379	C4D17VK4	50	180	230	3.5	15.69	S, US
1	1750	S56C	108230.00	√	1,679	C4D17WK1	45	90	115	10.0	15.81	S, US
1	1750	S56C	108231.00	√	1,679	C4D17WK2	42	180	230	5.0	14.81	S, US
1 1/2	1750	S56C	108232.00	√	2,146	C4D17WK3	50	180	230	7.6	15.81	S, US

C/A - Check availability

♥ Note listing on inside back flap Specifications are subject to change without notice

Washguard® - IEC® Frame - TENV IP55

180 Volts - TENV - B5 Flange With Removable Base

HP	Full Load RPM	IEC Frame	Catalog Number	Stock	List Price	Model Number	App. Wgt. (lbs)	Arm. Volts DC	Control Volts AC Input	FL. Amps DC	"C" Dim. (Inches)	♥Notes
1/2 - .37	1750	71	098040.00	C/A	1,004	42D17VD1	22	180	230	2.5	10.69	S, US
3/4 - .55	1750	80	108407.00	D	1,361	4D17VD1	52	180	230	3.5	16.02	S, US

If base is removed, do not reinstall bolts without using washers to compensate for the thickness of base. These Washguard motors are modular design but stocked with B5 flange and B3 foot. The foot is removable. The B5 flange can be replaced with a B14 face or other diameter B5 flanges noted on page 314.

♥ Note listing on inside back flap Specifications are subject to change without notice

D - Item to be discontinued when inventory is depleted
C/A - Check availability



DC Motors

Sub-FHP - SCR Rated

General Specifications:

Precision subfractional horsepower DC permanent magnet motors designed for use with full wave non-filtered SCR controls for adjustable speed applications requiring dynamic braking and constant torque throughout the speed range.

Features:

- Compact, space saving design
- Ball bearing construction
- Long life brushes
- External access to brushes allows for easy replacement further prolonging motor life
- Conduit box standard on 31 and 34 frame models
- Continuous duty with full wave un-filtered rectified SCR (thyristor) controls
- Linear speed torque characteristics throughout the speed range
- High starting torques
- Reversible rotation



90 & 180 Volt - TENV/TEFC - Square Flange or C Face

HP	Full Load RPM	NEMA Frame	Catalog Number	Stock	List Price	Model Number	App. Wgt. (lbs)	Arm. Volts DC	Control Volts AC Input	FL. Amps DC	♥Notes
1/25	3500	25AS	M1110014.00	√	335	980,533	3	90	115	0.5	S, US, 12
1/25	1750	25CS	M1110003.00	√	346	980,535	3	90	115	0.5	S, US, 12
1/15	3500	25CS	M1110015.00	√	358	980,539	5	90	115	0.7	S, US, 12
1/15	1750	31BS	M1120013.00	√	372	CM31D17NZ1	5	90	115	0.8	S, US, 12
1/15	1750	31BS	M1120039.00	√	372	CM31D17NZ5	7	180	230	0.4	S, US, 12
1/10	3500	31BS	M1120060.00	√	372	CM31D35NZ4	5	90	115	1.3	S, US, 12
1/10	1750	31CS	M1120014.00	√	439	CM31D17NZ2	7	90	115	1.1	S, US, 12
1/10	1750	31CS	M1120041.00	√	439	CM31D17NZ7	7	180	230	0.6	S, US, 12
1/8	3500	31CS	M1120059.00	√	439	CM31D35NZ3	6	90	115	1.5	S, US, 12
1/8	1750	31ES	M1120027.00	√	475	CM31D18NZ10	7	90	115	1.3	S, US, 12
1/8	1750	31ES	M1120045.00	√	475	CM31D17NZ11	7	180	230	0.7	S, US, 12
1/8	1750	34D42CZ	M1130053.00	√	492	CM34D17NC5	8	90	115	1.4	S, US, 12
1/8	1750	34D42CZ	M1130118.00	√	492	CM34D17NC8	7	180	230	0.7	S, US, 12
1/6	3500	31ES	M1120058.00	√	475	CM31D35NZ6	9	90	115	1.9	S, US, 12
1/6	1750	31GS	M1120042.00	√	480	CM31D17NZ8	9	90	115	1.8	S, US, 12
1/6	1750	31GS	M1120043.00	√	480	CM31D17NZ9	11	180	230	0.9	S, US, 12
1/6	1750	34E56C	M1130054.00	√	502	CM34D17NC6	11	90	115	1.7	S, US, 12
1/6	1750	34E56C	M1130119.00	C/A	502	CM34D17NC9	11	180	230	0.9	S, US, 12
1/4	3500	31GS	M1120062.00	√	501	CM31D35NZ5	9	90	115	2.6	S, US, 12
1/4	1750	34G56C	M1130055.00	√	520	CM34D17FC2	13	90	115	2.7	S, US, 13
1/4	1750	34G56C	M1130120.00	√	520	CM34D17FC4	13	180	230	1.3	S, US, 13

25 frame motors have provisions for an optional conduit box catalog number M1760000.00, see page 356.

♥ Note listing on inside back flap Specifications are subject to change without notice

C/A = Check Availability
 Note 12 - TENV
 Note 13 - TEFC



Application Notes:

LEESON® Washguard® motors are designed for extended life in applications requiring regular washdown or otherwise wet environments. Washguard motors retard the entrance of water. Extra protection for the motor's interior prevents rust and corrosion build-up and releases trapped moisture to ensure a longer life than possible with a standard motor.

General Specifications:

Precision subfractional horsepower DC permanent magnet motors. Designed for use with fullwave nonfiltered SCR controls or battery supplied low voltage for adjustable speed applications requiring constant torque throughout the speed range.

Features:

- 303 Stainless steel shaft resists corrosion
- Lubricated spring loaded contact seals prevent moisture from entering the motor
- Double sealed, oversize bearings with high temp lubricant
- Exterior and interior components protected against moisture, acids, alkalis and oil
- Cast conduit box for superior sealing includes:
 - Threaded entrance
 - Drain holes
 - Nitrile gaskets
- 304 stainless steel conduit box cover
- Stainless steel hardware
- USDA approved white epoxy finish
- Nylon seals at bolt heads for superior sealing
- O-ring sealed brush covers



90 Volt - TENV - Square Flange or C Face

HP	Full Load RPM	NEMA Frame	Catalog Number	Stock	List Price	Model Number	App. Wgt. (lbs)	Arm. Volts DC	Control Volts AC Input	FL. Amps DC	♥Notes
1/8	1750	31S	M1120181.00	√	595	CM31D17V21	11	90	115	1.5	S, US
1/6	1750	31S	M1120183.00	√	604	CM31D17V23	11	90	115	1.9	S, US
1/4	2500	32F42CZ	M1120185.00*	√	658	CM32D25VC1	13	90	115	1.9	S, US

* Motor M1120185.00 is a C Face mount

♥ Note listing on inside back flap
Specifications are subject to change without notice



12 Volt - TENV - Square Flange or C Face

HP	Full Load RPM	NEMA Frame	Catalog Number	Stock	List Price	Model Number	App. Wgt. (lbs)	Arm. Volts DC	FL. Amps DC	♥Notes
1/8	1750	31S	M1120182.00	√	621	CM31D17VZ2	7	12	11	S, US
1/6	1750	31S	M1120184.00	√	628	CM31D17VZ4	11	12	15	S, US
1/4	2500	32F42CZ	M1120186.00	√	682	CM32D25VC2	13	12	20	S, US

* M1120186.00 is a C Face mount

♥ Note listing on inside back flap
Specifications are subject to change without notice



DC Motors

METRIC (IEC®) Frame - SCR Rated - IP54



Application Notes:

Please note that one or more of the mounting kits must be used with IEC motors of these frame sizes. See listing on next page for B5 flange and B14 face kits. B3 rigid base kits are listed below.

General Specifications:

- Built to IEC 34-1 electrical and mechanical standards
- IEC 63 and smaller frames supplied with an integral B5 flange or B14 face
- Optional B3 rigid base kit available
- IEC 71 frame and larger can be field modified for B3 rigid base, B5 flange, or B14 face construction using conversion kits
- Tachometer mounting kits available for 71 frame only

Features:

- Cast aluminum conduit box
- Terminal board provided for connections
- All metric fasteners
- Easy brush access for field service
- Oversize brushes for extended life
- High strength rolled steel frame
- Die cast aluminum endshields with steel bearing inserts
- Permanently lubricated sealed ball bearings
- Reversible rotation
- Simple 2 lead connection
- Convenient wiring access
- Tachometer mounting kits available for 71 frame only



180 Volts - Totally Enclosed - B5 Flange

KW/HP	Full Load RPM	Frame	Catalog Number	Stock	List Price	Model Number	App. Wgt. (lbs)	Arm. Volts DC	Control Volts AC Input	F.L. Amps DC	"C" Dim. (Inches)	♥Notes
0.06/1/12	1800	56	M1130146.00	C/A	533	CIM34D18ND1	8	180	230	0.5	6.24	S, US, 12
0.09/1/8	3000	56	M1130150.00	√	533	CIM34D30ND1	9	180	230	0.7	6.74	S, US, 12
0.09/1/8	1800	56	M1130147.00	√	571	CIM34D18ND2	10	180	230	0.7	7.55	S, US, 12
0.12/1/6	3000	56	M1130151.00	√	553	CIM34D30ND2	9	180	230	0.9	7.55	S, US, 12
0.12/1/6	1800	63	M1130148.00	√	653	CIM34D18FD1	7	180	230	0.9	8.30	S, US, 13
0.18/1/4	3000	63	M1130152.00	√	604	CIM34D30ND3	11	180	230	1.3	8.78	S, US, 12
0.18/1/4	1800	63	M1130149.00	√	702	CIM34D18FD2	13	180	230	1.3	9.50	S, US, 13
0.25/1/3	3000	63	M1130153.00	√	669	CIM34D30FD1	11	180	230	1.7	9.50	S, US, 13

These motors have accommodations for B3 base mountings with the kits listed on page 314.

♥ Note listing on inside back flap Specifications are subject to change without notice

C/A - Check availability

Note 12 - TENV

Note 13 - TEFC





DC Motors METRIC (IEC®) Frame - SCR Rated - IP54



180 volts - Totally Enclosed - B14 Flange

KW/HP	Full Load RPM	Frame	Catalog Number	Stock	List Price	Model Number	App. Wgt. (lbs)	Arm. Volts DC	Control Volts AC Input	FL. Amps DC	"C" Dim. (Inches)	♥Notes
0.06/1/12	3000	56	M1110024.00	√	477	980,542	6	180	230	0.4	6.34	S, US, 12
0.06/1/12	1800	56	M1130136.00	√	578	CIM34D18NC5	8	180	230	0.5	6.24	S, US, 12
0.09/1/8	3000	56	M1130140.00	√	533	CIM34D30NC1	9	180	230	0.7	6.74	S, US, 12
0.09/1/8	1800	56	M1130137.00	√	620	CIM34D18NC6	14	180	230	0.7	7.55	S, US, 12
0.12/1/6	3000	56	M1130141.00	√	600	CIM34D30NC2	10	180	230	0.9	7.55	S, US, 12
0.12/1/6	1800	63	M1130138.00	√	653	CIM34D18FC1	8	180	230	0.9	8.30	S, US, 13
0.18/1/4	3000	63	M1130142.00	√	604	CIM34D30NC3	10	180	230	1.3	8.78	S, US, 12
0.18/1/4	1800	63	M1130139.00	√	702	CIM34D18FC2	10	180	230	1.3	9.50	S, US, 13
0.25/1/3	3000	63	M1130143.00	√	669	CIM34D30FC1	10	180	230	1.7	9.50	S, US, 13

Except for M1110024.00, these motors have accommodations for B3 base mountings with kits - see page 314.

♥ Note listing on inside back flap
Specifications are subject to change without notice

Note 12 - TENV
Note 13 - TEFC



TEFC - SCR Rated 180 Volts - Round Body

KW/HP	Full Load RPM	IEC Frame	Catalog Number	Stock	List Price	Model Number	App. Wgt. (lbs)	Arm. Volts DC	Control Volts AC Input	FL. Amps DC	"C" Dim. (Inches)	♥Notes
0.25/1/3	1800	71	098014.00	√	699	42D17FT1	23	180	230	1.7	11.28	S, US
0.37/1/2	3000	71	098016.00	√	769	42D34FT1	21	180	230	2.5	10.78	S, US
0.37/1/2	1800	71	098015.00	√	792	42D17FT2	26	180	230	2.5	11.78	S, US
0.55/3/4	3000	71	098017.00	√	858	42D34FT2	24	180	230	3.6	11.78	S, US
0.55/3/4	1800	80	108369.00	√	981	4D17FT1	34	180	230	3.5	14.64	S, US
0.75/1	3000	80	108372.00	√	981	4D34FT1	45	180	230	4.9	14.64	S, US
0.75/1	1800	80	108370.00	√	1,210	4D17FT2	48	180	230	4.6	17.14	S, US
1.1/11/2	3000	80	108373.00	√	1,084	4D34FT2	47	180	230	7.1	16.14	S, US
1.1/11/2	1800	80	108371.00	√	1,597	4D17FT3	52	180	230	7.0	17.14	S, US
1.1/11/2	1800	90L	118007.00	√	2,379	CI6D17FT1	64	180	230	7.5	18.97	S, US
1.5/2	3000	90L	118009.00	√	2,583	CI6D34FT1	72	180	230	10.0	18.47	S, US
1.5/2	1800	90L	118008.00	√	2,854	CI6D17FT2	84	180	230	9.5	20.47	S, US
2.2/3	3000	90L	118010.00	√	3,099	CI6D34FT2	82	180	230	16.0	19.47	S, US
2.2/3	1800	112M	118014.00	√	3,984	CI6D17FK1	90	180	230	14.0	21.79	S, US

IMPORTANT: These round body motors require either a B3 rigid base, B14 face or B5 flange kit - see page 314. Catalog number 118014.00 comes complete with IEC 112 B14 face and B3 foot; shaft diameter is 24mm.

♥ Note listing on inside back flap
Specifications are subject to change without notice



DC Motors

Metric (IEC®) Frame - SCR Rated

(For use with Regal's DC metric motors only)

All motors are stocked with provisions to accommodate B3 foot mountings with the packages noted below.

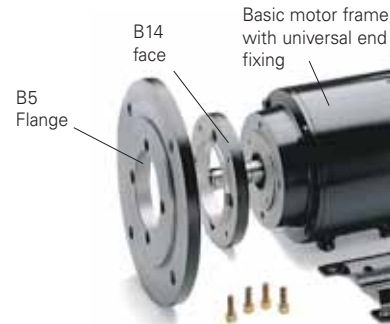
B3 Foot Mounting Kits

IEC Frame	Catalog Number	List Price
56	175142.00	87
63	175143.00	80
71	175144.00	88
80	175145.00	95
80	175784.00†	95
90	175146.00	66

† For endshield mounted brush cover motors

Flange Kits

Flange and face kits for DC metric (IEC) frame motors. An advantage of our modular design concept is the possible use of a different diameter B5 flange or B14 face than is normally assigned to a motor by IEC dimensional standards. This flexibility makes it possible to accommodate a wide variety of gear reducers, pumps and similar close coupled motor mounted loads.



B5 Flange Kits (For DC Metric Motors Only)

IEC Frame	Catalog Number	List Price	App. Wgt. (lbs)	AK Register (mm)	BF Hole (mm)	AJ Bolt Circle (mm)	BD Flange Dia. (mm)
71	175106.00	97	2	110	9	130	160
80	175108.00	97	3	130	12	165	200
90S/90L	175108.00	97	3	130	12	165	200
100L/112M	175137.00	239	5	180	15	215	250

Specifications are subject to change without notice



B14 Face Kits (For DC Metric Motors Only)

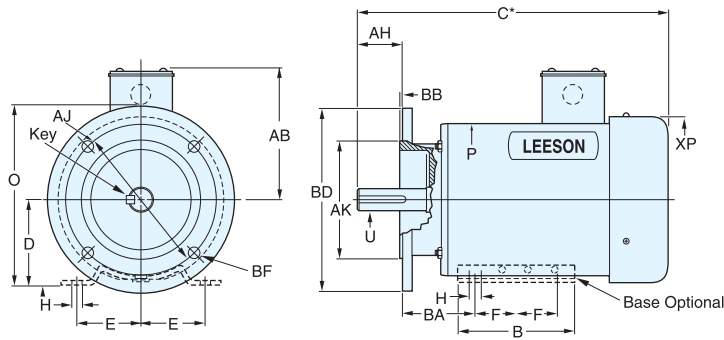
IEC Frame	Catalog Number	List Price	App. Wgt. (lbs)	AK Register (mm)	BF Hole (mm)	AJ Bolt Circle (mm)	BD Flange Dia. (mm)
71	175107.00	97	1	70	6	85	105
80	175109.00	97	1	80	6	100	120
90S/90L	175129.00	106	1	95	6	115	140
100L/112M	175130.00	239	2	110	6	130	160

Specifications are subject to change without notice



DC Motors

Metric (IEC®) Frame - SCR Rated



*For overall length, see motor listing.

IEC Frame Dimensions (Millimeters)

IEC Frame	Mounting					Shaft						B14 Face/B5 Flange					General								
	2E	2F	BA	D	H	U	AHG	KEY	S	R	TAP	AJ	AK	BD	BF	BB	AB	XP	B	O					
56	90	71	36	56	6	9	20	15	3	7.0	M3	65	100	50	80	80	120	M5	7	2.5	2.5	83	96	90	99
63	100	80	40	63	7	11	23	19	4	9.0	M4	75	115	60	95	90	140	M5	9	2.5	3.0	116	96	96	108
71	112	90	45	71	7	14	30	26	5	11.5	M5	85	130	70	110	105	160	M6	9	2.5	3.5	114	130	105	132
80	125	100	50	80	10	19	40	33	6	16.0	M6	100	165	80	130	120	200	M6	12	3.0	3.5	124	149	127	151
90S	140	100	56	90	10	24	50	36	8	20.5	M8	115	165	95	130	140	200	M8	12	3.0	3.5	135	182	152	173
90L	140	125	56	90	10	24	50	36	8	20.5	M8	115	165	95	130	140	200	M8	12	3.0	3.5	135	182	152	173
100L	160	140	63	100	12	28	60	41	8	24.5	M10	130	215	110	180	160	250	M8	15	3.5	4.0	135	182	176	173
112M	190	140	70	112	12	28	60	41	8	24.5	M10	130	215	110	180	160	250	M8	15	3.5	4.0	162	231	176	225

✦ Without face or flange, AH shaft dimension is 12mm longer.

Specifications are subject to change without notice

Pump Motors

Washguard Motors

Agricultural Duty Motors

HVAC / Fan Motors

Special Voltage Motors

Definite Purpose Motors

Brake Motors

IEC Motors

DC Motors



DC Motors

NEMA® Frame - Low Voltage 12, 24, 36 & 48 VOLTS

General Specifications:

- Low voltage PMDC design suitable for battery, solar powered or generator supplied low voltage applications

Features:

- Oversized brushes for long life
- External access to brushes allows for easy replacement further prolonging motor life
- Heavy-duty, stamped steel, bolt on base (removable)
- NEMA® C face mounting flange at no additional cost
- High strength rolled steel frame
- Rugged die cast endshields with steel bearing inserts
- Permanently lubricated sealed ball bearings
- Convert to NEMA 48 frame base dimensions or NEMA 42/48 frame C face dimensions with modification kits shown below
- High starting torques for heavy load applications
- Linear speed torque characteristics throughout the speed range
- Capable of dynamic braking for faster stops
- Reversible rotation
- Simple two lead connection



12, 24, 36 & 48 Volts - TENV / TEFC - C Face With Removable Base

HP	Full Load RPM	NEMA Frame	Catalog Number	Stock	List Price	Model Number	App. Wgt. (lbs)	Arm. Volts DC	FL. Amps DC	"C" Dim. (Inches)	Notes
1/4	1800	S56C	108045.00	√	800	C4D17NK5E	24	12	21.0	10.27	S, US, 12, 15
1/3	1800	S56C	108046.00	√	879	C4D17NK6D	27	12	27.0	10.77	S, US, 12, 15
1/3	1800	S56C	108050.00	√	842	C4D17NK9D	25	24	13.5	10.77	S, US, 12, 15
1/2	1800	S56C	108047.00	√	915	C4D17NK7G	30	12	39.0	11.77	S, US, 12, 15
1/2	1800	S56C	108051.00	√	873	C4D17NK10D	32	24	20.0	11.77	S, US, 12, 15
1/2	1800	SS56C	098381.00	√	831	C42D18FK6A	29	36	13.5	10.81	S, US, 12, 15
1/2	1800	SS56C	098382.00	√	803	C42D18FK7A	21	48	11.0	10.81	S, US
3/4	1800	S56C	108048.00	√	1,008	C4D17FK7G	33	12	58.0	13.82	S, US, 35
3/4	1800	S56C	108052.00	√	914	C4D17FK8D	27	24	29.0	12.82	S, US
1	1800	S56C	108322.00	√	1,202	C4D17FK28C	37	12	80.0	13.81	S, US, 35
1	1800	S56C	108053.00	√	1,107	C4D17FK9E	34	24	39.0	13.82	S, US, 35
1	1800	S56C	109101.00	√	1,061	C4D18FK1D	37	36	25.5	13.81	S, US
1	1800	S56C	109102.00	√	1,023	C4D18FK2D	37	48	18.5	13.81	S, US
1 1/2	1800	S56CZ	109103.00	√	1,615	C4D18FK3A	52	24	60.0	15.25	S, US, 35, 9
1 1/2	1800	S56CZ	109104.00	√	1,595	C4D18FK4B	37	36	36.0	17.38	S, US, 35, 9
1 1/2	1800	S56CZ	109105.00	√	1,540	C4D18FK5B	37	48	27.0	17.38	S, US, 35, 9
2	1800	S56CZ	109106.00	√	2,022	C4D18FK6A	45	24	70.0	16.74	S, US, 35, 9
2	1800	S56CZ	109107.00	√	2,030	C4D18FK7A	42	36	49.0	16.74	S, US, 35, 9
2	1800	S56CZ	109108.00	√	1,797	C4D18FK8A	42	48	38.0	16.74	S, US, 35, 9

If base is removed, do not reinstall bolts without using washers to compensate for thickness of base.

♥ Note listing on inside back flap Specifications are subject to change without notice

Note 12 - TENV

Note 15 - Built in conduit box

Note 35 - Terminal studs at 12:00



General Specifications:

- Extended life in wet, high humidity applications - IP55
- Design repels water from entering motor
- Internal components protected against rust and corrosion
- Frame, base, end shields, armature and interior components protected by enamel and polyester compounds of outstanding adhesion and resistance to moisture, acids, alkalies and oil

Features:

- 303 stainless steel shaft resist corrosion
- Lubricated spring loaded contact seals prevent moisture from entering the motor
- Patented "V" ring Forsheda® seal deflects water
- Double sealed, oversize bearings with high temp lubricant
- Exterior and interior components protected against moisture, acids, alkalies and oil
- TENV designs have built in conduit box. Motor 109301.00 has terminal box. Other TEFC models utilize watertight terminal posts
- 304 stainless steel conduit box cover and fan cover
- Re-positionable drain plugs for use in multiple mounting positions
- Nylon seals at bolt heads for superior sealing
- Machined fits throughout
- Stainless steel data plate
- Chemically inert, static free fan on TEFC designs with positive mounting ensures it won't move
- Stainless steel fan guard
- USDA approved white epoxy finish

DC - Low Voltage Rated 12 & 24 Volts - Totally Enclosed IP55 - C Face with Removable Base

HP	Full Load RPM	NEMA Frame	Catalog Number	Stock	List Price	Model Number	App. Wgt. (lbs)	Arm. Volts DC	F.L. Amps DC	"C" Dim. (Inches)	Notes
1/4	1800	S56C	109296.00	√	957	C4D18VK7A	24	12	21.0	10.27	S, US, 12
1/3	1800	S56C	109297.00	√	1,099	C4D18VK8A	27	12	27.0	10.77	S, US, 12
1/2	1800	S56C	109298.00	√	1,136	C4D18VK9A	25	12	39.0	11.77	S, US, 12
1/2	1800	S56C	109299.00	√	1,102	C4D18VK10A	30	24	20.0	11.77	S, US, 12
3/4	1800	S56C	109300.00	√	1,379	C4D18WK16A	33	12	58.0	13.82	S, US, 13
3/4	1800	S56C	109301.00	√	1,458	C4D18WK14A	27	24	29.0	12.82	S, US, 13
1	1800	S56C	109302.00	√	1,679	C4D18WK12C	37	12	80.0	13.81	S, US, 13
1	1800	S56C	109303.00	√	1,630	C4D18WK13A	34	24	39.0	13.82	S, US, 13
1 1/2	1800	S56CZ	109304.00	√	2,146	C4D18WK15A	52	24	60.0	15.25	S, US, 13

Note 12 - TENV
Note 13 - TEFC

♥ Note listing on inside back flap
Specifications are subject to change without notice

Forsheda is believed to be a trademark of TRELLEBORG FORSHEDA BUILDING AB CORPORATION and is not owned by Regal Beloit

NEMA is believed to be the trademark of National Electrical Manufacturers Corporation, and is not owned or controlled by Regal Beloit Corporation.



DC Motors

Low Voltage - DC Metric - IP54



General Specifications:

- Built to IEC® 34-1 electrical and mechanical standards
- IEC 63 and smaller frames supplied with an integral B5 flange or B14 face
- Optional B3 rigid base kit available
- IEC 71 frame and larger can be field modified for B3 rigid base, B5 flange, or B14 face construction using conversion kits
- Tachometer mounting kits available for 71 frames only

Features:

- Terminal board provided for connections
- All metric fasteners
- Easy brush access for field service
- Oversize brushes for extended life
- High strength rolled steel frame
- Die cast aluminum endshields with steel bearing inserts
- Permanently lubricated sealed ball bearings
- Reversible rotation
- Simple 2 lead connection
- Convenient wiring access
- Tachometer mounting kits available for 71 frames only



24 Volt - TEFC/TENV - Modular Design

kW/HP	Full Load RPM	Frame	Catalog Number	Stock	List Price	Model Number	App. Wgt. (lbs)	DC Voltage	F.L. Amps DC	"C" Dim. (Inches)	♥Notes
0.06/1/12	3000	56	M1110025.00	√	435	980,543	5	24	3,3	5.34	S, US, 12,>
0.06/1/12	1800	56	M1110026.00	√	490	980,544	6	24	3,4	6.34	S, US, 12,>
0.18/1/4	3000	63	M1130206.00	√	554	CIM34D30FD2	13	24	11	7.75	S, US, ♣
0.18/1/4	3000	63	M1130296.00	√	601	CIM34D30FC7	9	24	11	7.75	S, US, >
0.18/1/4	1800	63	M1130207.00	√	633	CIM34D18FD6	13	24	10	8.75	S, US, ♣
0.18/1/4	1800	63	M1130297.00	√	688	CIM34D18FC10	9	24	10	8.75	S, US, >
0.18/1/4	1800	71	098065.00	√	759	42D17FT6	19	24	11	10.77	S, US
0.37/1/2	3000	71	098066.00	√	852	42D34FT7	23	24	20	11.27	S, US
0.37/1/2	1800	71	098067.00	√	831	42D17FT7	23	24	20	12.27	S, US
0.75/1	3000	80	108456.00	√	913	4D34FT5	33	24	40	14.14	S, US, 35
0.75/1	1800	80	108455.00	√	1,158	4D17FT6	52	24	39	14.64	S, US, 35
1.1/11/2	3000	80	108457.00	√	1,099	4D34FT6	33	24	65	15.64	S, US, 35
1.5/2	3000	80	108458.00	√	1,165	4D34FT7	43	24	78	17.14	S, US, 35

IMPORTANT: IEC 71 and 80 frame motors in this chart are round body and require either B14 face, B5 flange or B3 foot from kits shown on page 314.

♥ Note listing on inside back flap
Specifications are subject to change without notice

Note 12 - TENV
Note 35 - Terminal bolts at 12:00
Note ♣ - Dedicated B5 Flange
Note > - Dedicated B14 Face

Pump Motors

Washguard Motors

Agricultural Duty Motors

HVAC / Fan Motors

Special Voltage Motors

Definite Purpose Motors

Brake Motors

IEC Motors

DC Motors



General Specifications:

- Low voltage PMDC design suitable for battery, solar powered or generator supplied low voltage applications

Features:

- Compact, space saving design
- Standard conduit box simplifies connections
- Ball bearing construction
- Long life brushes
- External access to brushes allows for easy replacement further prolonging motor life
- High starting torques
- Linear speed torque characteristics throughout the speed range
- Capable of dynamic braking for faster stops
- Reversible rotation
- Simple two lead connection
- Class F insulated with high temperature welded commutators



12 & 24 Volts - TENV - Square Flange

HP	Full Load RPM	Frame	Catalog Number	Stock	List Price	Model Number	App. Wgt. (lbs)	Arm. Volts DC	FL. Amps DC	♥Notes
1/20	1750	25CS	M1110006.00	√	317	980.536	3	12	4.4	S, US, *
1/10	4200							24	4.4	S, US, *
1/14	1750	31AS	M1120040.00	√	372	M31D17NZ6	4	12	7.7	S, US
1/7	4200							24	7.7	S, US
1/7	1750	31ES	M1120044.00	√	490	M31D17NZ10	9	12	13.0	S, US
1/4	3500							24	13.0	S, US
1/6	1750	31GS	M1120046.00	√	519	M31D17NZ26	8	12	14.0	S, US
1/3	3900							24	14.0	S, US

These motors may be operated at 12, 24V, or at intermediate voltages between 12 and 24V, within horsepower ranges noted.
 Note * - Provision for optional conduit box - M1760000.00

♥ Note listing on inside back flap
 Specifications are subject to change without notice

DC Motors

Low Voltage Commercial Duty Metric (IEC®) Frame Motors



Features:

- Specially designed low voltage DC for use in OEM applications
- Combination of features and low cost make these ideal for many uses
- IP44 (TENV) enclosure
- Dedicated B14 face mount
- Continuous duty



12, 24V & 90 Volt - TENV - B14 Mount

HP	Full Load RPM	Frame	Catalog Number	Stock	List Price	Model Number	App. Wgt. (lbs)	Arm. Volts DC	FL. Amps DC	♥Notes
1/15	3000	56	980.159	√	242	980.159	2.3	12	6.4	S, US
1/15	3000	56	980.143	√	222	980.143	2.3	24	3.2	S, US
1/15	3000	56	980.549	√	212	980.549	2.3	90	0.8	S, US
1/8	3000	56	970.600	√	255	970.600	3.0	12	12.0	S, US
1/8	3000	56	970.601	√	255	970.601	3.0	24	5.3	S, US
1/8	3000	56	970.576	√	255	970.576	3.0	90	1.2	S, US
1/6	3000	56	970.620	√	277	970.620	3.5	12	13.1	S, US
1/6	3000	56	970.621	√	277	970.621	3.5	24	6.8	S, US
1/6	3000	56	970.577	√	264	970.577	3.5	90	1.6	S, US

♥ Note listing on inside back flap
Specifications are subject to change without notice





DC Motors - Washguard® Motors

NEMA® and Washguard® IP55

All-Stainless DC Motors - SCR Rated

Pump
Motors

Washguard
Motors

Agricultural
Duty Motors

HVAC / Fan
Motors

Special Voltage
Motors

Definite
Purpose Motors

Brake Motors

IEC Motors

DC Motors

TEFC - SCR Rated 90 & 180V - NEMA - C Face With Base

HP	Full Load RPM	NEMA Frame	Catalog Number	Stock	List Price	Model Number	App. Wgt. (lbs)	Arm. Volts DC	Control Volts AC Input	FL. Amps DC	"C" Dim. (Inches)	♥Notes
1/4	1750	S56C	109065.00	√	1,593	4D17VK24	38	90	115	3.1	11.81	S, US, 12
1/3	1750	S56C	109066.00	√	1,684	4D17VK25	44	90	115	3.8	12.81	S, US, 12
1/3	1750	S56C	109067.00	√	1,684	4D17VK26	44	180	230	1.9	12.81	S, US, 12
1/2	1750	S56C	109069.00	√	1,967	4D17WK9	46	90	115	5.2	13.87	S, US, 13
1/2	1750	S56C	109070.00	√	1,967	4D17WK10	46	180	230	2.7	13.87	S, US, 13
3/4	1750	S56C	109072.00	√	2,395	4D17WK13	47	90	115	7.5	15.37	S, US, 13
3/4	1750	S56C	109073.00	√	2,395	4D17WK14	48	180	230	3.7	15.37	S, US, 13
1	1750	S56C	109075.00	√	2,779	4D17WK16	51	90	115	9.5	16.37	S, US, 13
1	1750	S56C	109076.00	√	2,779	4D17WK17	50	180	230	5.0	16.37	S, US, 13

Base is welded to frame and not removable
 Note 12 - TENV
 Note 13 - TEFC

♥ Note listing on inside back flap
 Specifications are subject to change without notice



TEFC - SCR Rated 90 & 180V - NEMA - C Face Less Base

HP	Full Load RPM	NEMA Frame	Catalog Number	Stock	List Price	Model Number	App. Wgt. (lbs)	Arm. Volts DC	Control Volts AC Input	FL. Amps DC	"C" Dim. (Inches)	♥Notes
1/4	1750	S56C	109078.00	√	1,555	4D17VC5	38	90	115	3.1	11.81	S, US, 12
1/3	1750	S56C	109079.00	√	1,647	4D17VC6	44	90	115	3.8	12.81	S, US, 13
1/3	1750	S56C	109080.00	√	1,647	4D17VC7	44	180	230	1.9	12.81	S, US, 13
1/2	1750	S56C	109082.00	√	1,932	4D17WC2	46	90	115	5.2	13.87	S, US, 13
1/2	1750	S56C	109083.00	√	1,932	4D17WC3	46	180	230	2.7	13.87	S, US, 13
3/4	1750	S56C	109085.00	√	2,358	4D17WC5	47	90	115	7.5	15.37	S, US, 13
3/4	1750	S56C	109086.00	C/A	2,358	4D17WC6	48	180	230	3.7	15.37	S, US, 13
1	1750	S56C	109088.00	√	2,744	4D17WC8	51	90	115	9.5	16.37	S, US, 13
1	1750	S56C	109089.00	√	2,744	4D17WC9	50	180	230	5.0	16.37	S, US, 13

C/A - Check availability
 Note 12 - TENV
 Note 13 - TEFC

♥ Note listing on inside back flap
 Specifications are subject to change without notice



DC Motors - Washguard® Motors

Metric (IEC®) Frame PMDC Motors IP55



Pump Motors

Washguard Motors

Agricultural Duty Motors

HVAC / Fan Motors

Special Voltage Motors

Definite Purpose Motors

Brake Motors

IEC Motors

DC Motors

TEFC - SCR Rated 90 & 180V - All Stainless Steel - C Face With Base

HP/KW	Full Load RPM	IEC Frame	Catalog Number	Stock	List Price	Model Number	App. Wgt. (lbs)	Arm. Volts DC	Control Volts AC Input	F.L. Amps DC	"C" Dim. (Inches)	♥Notes
1/3 - 0.25	1750	80D	109068.00	√	1,684	4D17VK27	44	180	230	1.9	12.81	S, US, 12
1/2 - 0.37	1750	80D	109071.00	√	1,967	4D17WK11	46	180	230	2.7	13.87	S, US, 13
3/4 - 0.55	1750	80D	109074.00	√	2,395	4D17WK15	48	180	230	3.7	15.37	S, US, 13
1 - 0.75	1750	80D	109077.00	√	2,779	4D17WK18	50	180	230	5.0	16.37	S, US, 13

Base is welded to frame and not removable

Note 12 - TENV

Note 13 - TEFC

♥ Note listing on inside back flap

Specifications are subject to change without notice

TEFC - SCR Rated 90 & 180V - Metric (IEC) - All-Stainless Steel - C Face Less Base

HP/KW	Full Load RPM	IEC Frame	Catalog Number	Stock	List Price	Model Number	App. Wgt. (lbs)	Arm. Volts DC	Control Volts AC Input	F.L. Amps DC	"C" Dim. (Inches)	♥Notes
1/3 - 0.25	1750	80D	109081.00	√	1,647	4D17VC8	44	180	230	1.9	12.81	S, US, 12
1/2 - 0.37	1750	80D	109084.00	√	1,932	4D17WC4	46	180	230	2.7	13.87	S, US, 13
3/4 - 0.55	1750	80D	109087.00	√	2,358	4D17WC7	48	180	230	3.7	15.37	S, US, 13
1 - 0.75	1750	80D	109090.00	√	2,744	4D17WC10	50	180	230	5.0	16.37	S, US, 13

Note 12 - TENV

Note 13 - TEFC

♥ Note listing on inside back flap

Specifications are subject to change without notice

Flange And Face Kits for DC Metric (IEC) Frame Motors

Regal's modular design concept of other metric DC motors has been applied to the all-stainless metric motors. Any flange or face kit can mount on any motor. This allows the greatest flexibility from the smallest inventory of motors.

B5 Flange Kits (For Stainless DC Metric Motors)

IEC Frame	Catalog Number	List Price	App. Wgt. (lbs)	BD Flange Dia. (mm)	AK Register (mm)	BF Hole (mm)	AJ Bolt Circle (mm)
71	175593.00	212	2	110	9	130	160
80	175594.00	255	3	130	12	165	200
90S/90L	175594.00	255	3	130	12	165	200
100L/112M	175595.00	399	5	180	15	215	250

B14 Flange Kits (For Stainless DC Metric Motors)

IEC Frame	Catalog Number	List Price	App. Wgt. (lbs)	BD Flange Dia. (mm)	AK Register (mm)	BF Hole (mm)	AJ Bolt Circle (mm)
71	175596.00	175	1	70	6	85	105
80	175597.00	161	1	80	6	100	120
90S/90L	175598.00	439	1	95	6	115	140
100L/112M	175599.00	399	2	110	6	130	160



DC Motor Trouble-Shooting Chart

Pump Motors

Washguard Motors

Agricultural Duty Motors

HVAC / Fan Motors

Special Voltage Motors

Definite Purpose Motors

Brake Motors

IEC Motors

DC Motors

WARNING

Failure to adhere to the instructions listed immediately below could result in death or serious injury.

1. Disconnect power to the motor before performing service or maintenance.
2. Discharge all capacitors before servicing motor.
3. Keep hands and clothing away from moving parts.
4. Check that required safety guards are in place before starting equipment.

Problem	Likely Causes	What To Do
Motor fails to start upon initial installation.	Motor is miswired.	Verify that the motor is wired correctly.
	No output power from controller.	Measure voltage coming from the controller.
	Motor damaged and the fan guard is contacting the cooling fan.	Replace fan guard.
	Motor damaged and the armature is rubbing against the magnets.	Disassemble motor and see if the armature can be realigned by reassembly. Motor may have to be replaced.
Motor runs in the wrong direction.	Incorrect wiring.	Interchange the two motor leads.
Motor runs ok but has a clicking noise.	Suspect a burr on the commutator.	Stone the armature commutator with a commutator stone to remove burr.
Motor has been running, then fails to start.	Fuse or circuit breaker is tripped	Replace the fuse or reset the breaker
	Armature is shorted or went to ground. Motor may make a humming noise and the circuit breaker or fuse will trip.	Disassemble motor and inspect the armature for a burnt coil. Inspect the commutator for burnt bars. If this condition exists, the motor needs to be replaced. To test, set your OHM to the RX1 scale, touch probes to bars 180 degrees apart all around the commutator. The reading should be equal.
	The brushes may be worn down too far and no longer make contact with the commutator.	Inspect the brushes to make sure that they are still making contact with the commutator. Refer to manufacturer's recommended brush length chart.
Motor runs but loses power.	Load has increased.	Verify the load has not changed. Measure the amp draw of motor against the full load amp rating of the motor. If the amp draw is higher than rating, motor is undersized for application.
	Motor controller not properly set.	Check controller manual for adjustments. The torque and/or IR compensation settings may need adjustment.
	Motor may have an open connection.	Inspect the armature for an open connection.
	Brushes may not be seated properly or worn beyond their useful length.	Verify that the brushes are properly seated and measure their length against the recommended brush length chart.
Motor takes too long to accelerate.	Motor controller not properly set.	The accel trim pot of the controller should be adjusted.
	Brushes are worn.	Verify brush length.
	Bearings may be defective.	Inspect bearings for proper service. Noisy or rough bearings should be replaced.



Gearmotors

Quick Reference – Stock Sub-FHP Gearmotors

		AC Single & Three Phase	DC SCR & Low Voltage
	Parallel Shaft PZ Series Gearmotors	Single Phase 115V 12-100 In-Lbs Output Torque Page 346	DC SCR 90 & 180V 10-100 In-Lbs Output Torque Low Voltage (12V) 36-100 In-Lbs torque Page 326
		BODINE/BISON/DAYTON DIRECT INTERCHANGE	
	P240 & P300 Series Gearmotors	Single Phase 115/230V 43-391 In-Lbs Output Torque Page 348	DC SCR 90 & 180V 27-353 In-Lbs Output Torque Low Voltage (12V) 113-353 In-Lbs torque Page 328
		BISON/DAYTON DIRECT INTERCHANGE	
	OS300 Series Gearmotors		DC SCR 90V and Low Voltage (12V) Output Torque 130-268 In-Lbs Page 330
	PE350 Series Gearmotors	Single Phase 115/230V 25-341 In-Lbs Output Torque Three Phase 230/460V 55-320 In-Lbs Output Torque Page 350	DC SCR 90 & 180V 25-371 In-Lbs Output Torque Low Voltage (12V) 155-341 In-Lbs torque Page 332
		BODINE DIRECT INTERCHANGE	
	P1100 Series Gearmotors	Single Phase 115/230V 70-1105 In-Lbs Output Torque Three Phase 230/460V 70-1105 In-Lbs Output Torque Page 352	DC SCR 90V 105-1112 In-Lbs Output Torque Low Voltage (12V) 320-1087 In-Lbs torque Page 334
		BISON/DAYTON DIRECT INTERCHANGE	
	Right-Angle Worm Type 10 & 13 Series Gearmotors	Single Phase 115/230V 14-113 In-Lbs Output Torque Page 354	DC SCR 90 & 180V 5-135 In-Lbs Output Torque Low Voltage (12V) 25-135 In-Lbs torque Page 336
		BODINE/DAYTON DIRECT INTERCHANGE	
	Bravo® Right Angle Worm Type 12 Series Gearmotors		DC SCR 90V and Low Voltage (12V) Output Torque 46-134 In-Lbs Page 338

Bison is believed to be the trademark or trade name of Bison Gear & engineering Corporation and is not owned or controlled by Regal Beloit Corporation.

Bodine is believed to be the trademark or trade name of Bodine Electric Corporation and is not owned or controlled by Regal Beloit Corporation.

Dayton is a trademark or trade name of Dayton Electric Manufacturing and is not owned or controlled by Regal Beloit Corporation.





P300 Series Gearmotors

DC SCR 90V and
Low Voltage (12V)
Output Torque
44-353 In-Lbs
Page 340



PE350 Series Gearmotors

DC SCR 90V and
Low Voltage (12V)
Output Torque
25-341 In-Lbs
Page 342



Right-Angle 13 Series Gearmotors

DC SCR 90V and
Low Voltage (12V)
Output Torque
50-135 In-Lbs
Page 344



P240 Series Gearmotors

AC – Single Phase &
Three Phase
Washdown Duty
60-391 In-Lbs
Output Torque
Page 349

BISON/DAYTON
DIRECT INTERCHANGE



Right-Angle Worm Type 10 & 13 Series Gearmotors

AC – Single Phase &
Three Phase
Washdown Duty
23-220 In-Lbs
Output Torque
Page 355

BODINE/DAYTON
DIRECT INTERCHANGE

Stock Sub-FHP Three Phase Inverter Rated Gearmotors



Includes gearmotor series PZ, P240, PE350 and 13 series right-angle

Three Phase 230V
12-391 In-Lbs
Output Torque
Page 358



Bison is believed to be the trademark or trade name of Bison Gear & engineering Corporation and is not owned or controlled by Regal Beloit Corporation.

Bodine is believed to be the trademark or trade name of Bodine Electric Corporation and is not owned or controlled by Regal Beloit Corporation.

Dayton is a trademark or trade name of Dayton Electric Manufacturing and is not owned or controlled by Regal Beloit Corporation.

Gearmotors

Competitive Cross Reference



- LEESON gearmotors are interchangeable with most major brand gearmotors. They meet the needs of industrial applications and are available off the shelf from one of our many warehouses.

LEESON Catalog #	ABB® (Baldor®) Gearmotor	Bison® Gearmotor	Bodine® Gaermotor
M1125084.00	GC24302	-	0488
M1125083.00	GC24306	-	0490
M1125081.00	GC24310	-	0491
M1145039.00	GC25010	026-756-8020	0677
M1145082.00	GC25015	026-756-8030	-
M1145038.00	GC25020	-	0678
M1145039.00	GC3321	026-756-8020	0677
M1145041.00	GC3324	026-756-8005	0645
M1145029.00	GCP24004	016-226-6215	1032
M1125127.00	GCP24114	016-103-2186	0449
M1125128.00	GCP24122	016-103-1096	0448
M1125129.00	GCP24124	-	0455
M1125130.00	GCP24134	016-103-1025	0454
096004.00	GCP25002	-	-
M1145032.00	GCP25052	016-226-6036	1023

LEESON Catalog #	ABB® (Baldor®) Gearmotor	Bison® Gearmotor	Bodine® Gaermotor
M1145033.00	GCP25054	016-226-6028	1021
M1145034.00	GCP25056	016-226-6019	1019
M1145035.00	GCP25060	016-226-6011	-
096007.00	GCP3305	016-246-6028	5683
096008.00	GCP3310	016-246-6023	5681
096049.00	GLP3330	-	0664
096050.00	GLP3332	-	0663
096015.00	GLP3336	017-246-0011	N2254
096052.00	GLP3338	-	0661
107016.00	GLP3342	014-482-2029	-
107015.00	GLP3344	014-482-2019	-
096013.00	GMP3330	017-246-0029	2253
096014.00	GMP3332	017-246-0019	-
096015.00	GMP3336	017-246-0011	N2254
096016.00	GMP3338	017-246-0005	-

continued on next page

DESIGNED FOR HEAVY-DUTY SERVICE

An industrial strength gearing and motor package, designed for reliability and long life in the toughest applications.

PRESSURE-CAST ALUMINUM GEARBOXES

- Machined and integrally fitted to the motor
- Precision gearing results in minimum noise, maximum load capacity
- Parallel shaft models combine strength of bronze worm wheels with steel worm shafts



LEESON Catalog #	ABB® (Baldor®) Gearmotor	Bison® Gearmotor	Bodine® Gaermotor
107034.00	GMP3342	017-482-0029	-
M1115019.00	GP233003	-	0098
M1115020.00	GP233007	-	0096
M1135038.00	GP7402	-	6144
M1135069.00	GP7403	-	-
M1135042.00	GP7405	-	4138
M1135043.00	GP7407	-	4137
M1135063.00	GP7427	-	-
M1125004.00	GPP12503	011-190-0019	0159
M1125073.00	GPP12544	011-336-2019	1060
M1125072.00	GPP12545	011-336-2028	1062
M1125070.00	GPP12547	011-336-2060	1066
M1115001.00	GPP231108	011-190-0186	0163
M1115002.00	GPP231109	011-190-0362	0199
M1115000.00	GPP232110	011-190-0096	0162
M1115028.00	GPP233111	011-336-1030	-
M1115027.00	GPP233112	011-336-1053	-
M1125048.00	GPP233120	-	-
M1125036.00	GPP233121	-	-
M1115026.00	GPP233140	011-336-1091	1070
M1115025.00	GPP233141	011-336-1208	1072
M1135113.00	GPP7450	-	5040
M1135116.00	GPP7451	-	5041
M1135112.00	GPP7452	-	5042
M1135111.00	GPP7453	-	5043
M1135114.00	GPP7454	-	5044
M1135110.00	GPP7455	011-348-7029	5045
M1135108.00	GPP7456	011-348-7041	5046
M1135117.00	GPP7457		5047
M1135107.00	GPP7458	011-348-7102	5048
M1135106.00	GPP7459	011-348-7215	5049
M1135109.00	GPP7460	011-348-7034	-

LEESON Catalog #	ABB® (Baldor®) Gearmotor	Bison® Gearmotor	Bodine® Gaermotor
M1135115.00	GPP7461	-	-
M1135107.00	GPP7462	011-348-7102	5048
M1135150.00	GPP7470	-	-
M1135149.00	GPP7471	-	-
M1135148.00	GPP7472	-	-
M1135147.00	GPP7473	-	-
M1135146.00	GPP7474	-	-
M1135145.00	GPP7475	-	-
M1135143.00	GPP7476	-	-
M1135141.00	GPP7477	-	-
M1135140.00	GPP7478	-	-
M1135139.00	GPP7479	-	-
M1145131.00	IDGM2500	-	-
M1145130.00	IDGM2501	-	-
M1145129.00	IDGM2503	-	-
M1145128.00	IDGM2506	-	-
M1145127.00	IDGM2508	-	-
096070.00	IDGMP2500	-	-
096069.00	IDGMP2501	-	-
096068.00	IDGMP2503	-	-
096067.00	IDGMP2505	-	-
092114.00	L3353	-	-
092116.00	L3355	-	-
092015.00	M3353	-	-
092015.00	M3355	-	-
192025.00	MVM3458D	-	-
192037.00	MVM3460C	-	-
192038.00	MVM3461C	-	-
192035.00	MVM3461D	-	-
192047.00	MVM3463C	-	-
M1130139.00	VP7424-14	-	-
M1130149.00	VP7424D	-	-



Gearmotors

Parallel Shaft - PZ Series - DC

SCR Rated - 10-100 In-Lbs Torque

Low Voltage - 36-100 In-Lbs Torque



General Specifications - SCR Rated Gearmotors:

- Performance matched for continuous duty service over 60:1 speed range
- Constant torque throughout the range when powered by a full-wave unfiltered SCR-type adjustable speed control having a typical form factor of 1.3 to 1.4

General Specifications - Low Voltage Gearmotors:

- Performance matched for continuous duty service
- Designed for battery power or can be used with a low voltage controller with form factor up to 1.05

Features:

- Precision machined in-line steel gears
- First stage steel helical gear followed by spur-type gears
- Lubrication is permanent semi-fluid grease, reducing possibility of leakage
- Output shafts have needle bearings for high load capacities
- Shafts are hardened steel
- Optional conduit box and PZ gearmotor mounting bracket available, see page 358.

Application Notes:

- Placing the gearmotor with the motor below the gearbox should be avoided to prevent leakage of lubricant into the motor should the motor shaft seal fail
- Motor's stall torque could exceed recommended full load torques. A current limiting device such as an SCR control should be used to prevent damage. This issue is even more critical for low voltage motors, typically no controller is used since motor is connected directly to a battery, so some type of current limit or fusing should be considered
- Overhung load capacities shown are at center of output shaft
- Model PZ gearmotors have the same mounting dimensions as Bodine® model D and Z, Baldor®, Bison® 100 gearmotors, and a number of Dayton® gearmotors
- **Bodine/Baldor/Bison/Dayton direct interchange**

Baldor and Boehm are believed to be the trademark or trade name of ABB ASEA Brown Boveri, Ltd and is not owned or controlled by Regal Beloit Corporation.

Bison is believed to be the trademark or trade name of Bison Gear & engineering Corporation and is not owned or controlled by Regal Beloit Corporation.

Bodine is believed to be the trademark or trade name of Bodine Electric Corporation and is not owned or controlled by Regal Beloit Corporation.

Dayton is a trademark or trade name of Dayton Electric Manufacturing and is not owned or controlled by Regal Beloit Corporation.



90 & 180 Volts - TENV - PZ Series

Output RPM	FL. Torque (Lb In.)	Input HP	Catalog Number	Stock	List Price	Model Number	Gearmotor Type & Frame	Ratio to 1	Arm. Volts DC	FL. Amps DC	Over-hung Load (lb.)	Dimensions (inches)				♥Notes
												P	X	XL	XH	
4	40	1/40	M1115002.00	√	631	985.620	PZ5-30A	450	90	0.5	155	3.00	3.25	9.28	7.72	S, US
4	40	1/40	M1125046.00	√	631	985.623	PZ5-30A	450	180	0.2	155	3.00	3.25	9.30	7.74	S, US
10	100	1/20	M1115001.00	√	631	985.621	PZ4-30E	180	90	0.5	155	3.00	3.25	9.28	7.72	S, US
19	100	1/20	M1125047.00	C/A	631	985.624	PZ4-30A	180	180	0.3	155	3.00	3.25	9.30	7.74	S, US
20	100	1/20	M1115000.00	√	631	985.622	PZ4-30E	90	90	0.5	155	3.00	3.25	9.28	7.72	S, US
20	100	1/20	M1125048.00	C/A	631	985.625	PZ4-30A	90	180	0.3	155	3.00	3.25	9.30	7.74	S, US
30	100	1/17	M1125002.00	√	688	985.627	PZ3-30B	60	90	0.8	155	3.00	2.68	8.74	7.18	S, US
30	100	1/17	M1125037.00	√	688	985.635	PZ3-30B	60	180	0.4	155	3.00	2.68	8.74	7.18	S, US
60	56	1/17	M1125003.00	√	688	985.628	PZ3-30B	30	90	0.8	171	3.00	2.68	8.74	7.18	S, US
60	56	1/17	M1125036.00	√	688	985.634	PZ3-30B	30	180	0.4	171	3.00	2.68	8.74	7.18	S, US
100	36	1/17	M1125004.00	√	688	985.626	PZ3-30B	18	90	0.8	171	3.00	2.68	8.74	7.18	S, US
100	36	1/17	M1125035.00	√	688	985.631	PZ3-30B	18	180	0.4	171	3.00	2.68	8.74	7.18	S, US
150	24	1/17	M1125005.00	√	652	985.629	PZ2-30B	12	90	0.8	180	3.00	2.40	8.46	6.9	S, US
150	24	1/17	M1125034.00	√	652	985.633	PZ2-30B	12	180	0.4	180	3.00	2.40	8.46	6.9	S, US
300	10	1/17	M1125006.00	√	652	985.630	PZ2-30B	6	90	0.8	180	3.00	2.40	8.46	6.9	S, US
300	10	1/17	M1125033.00	√	652	985.632	PZ2-30B	6	180	0.4	180	3.00	2.40	8.46	6.9	S, US

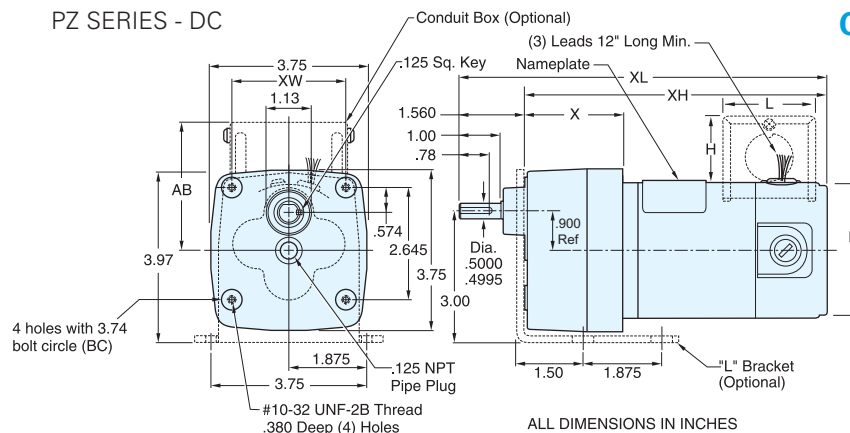
C/A - Check Availability

♥ Note listing on inside back flap
Specifications are subject to change without notice

12 Volts - TENV - PZ Series

Output RPM	FL. Torque (Lb In.)	Input HP	Catalog Number	Stock	List Price	Model Number	Gearmotor Type & Frame	Ratio to 1	Arm. Volts DC	FL. Amps DC	Over-hung Load (lb.)	Dimensions (inches)				♥Notes
												P	X	XL	XH	
10	100	1/20	M1125213.00	√	699	985.653	PZ4-30	180	12	2.7	155	3.00	3.25	9.28	7.72	S, US
30	100	1/17	M1125214.00	√	743	985.654	PZ3-30	60	12	5.2	155	3.00	2.68	8.74	7.18	S, US
55	56	1/17	M1125215.00	C/A	743	985.655	PZ3-30	30	12	5.6	171	3.00	2.68	8.74	7.18	S, US

C/A - Check Availability



Conduit Box Dimensions (IN)

Frame	XW	AB	H	L
30/31	2.63	3.47	1.90	3.13

Gearmotors

Parallel Shaft - P300 Series - DC

SCR Rated - 27-353 In-Lbs. Torque

Low Voltage - 113-353 In-Lbs Torque



General Specifications - SCR Rated Gearmotors:

- Performance matched for continuous duty service over 60:1 speed range
- Constant torque throughout the range when powered by a full-wave unfiltered SCR-type adjustable speed control having a typical form factor of 1.3 to 1.4

General Specifications - Low Voltage Gearmotors:

- Performance matched for continuous duty service
- Designed for battery power or can be used with a low voltage controller with form factor up to 1.05

Features:

- Precision machined in-line steel gears
- First stage steel helical gear followed by spur-type gears
- Lubrication is permanent semi-fluid grease, reducing possibility of leakage
- Output shafts have needle bearings for high load capacities
- Shafts are hardened steel
- Optional conduit box available, see page 358

Application Notes:

- Placing the gearmotor with the motor below the gearbox should be avoided to prevent leakage of lubricant into the motor should the motor shaft seal fail
- Motor's stall torque could exceed recommended full load torques. A current limiting device such as an SCR control should be used to prevent damage. This issue is even more critical for low voltage motors, typically no controller is used since motor is connected directly to a battery, so some type of current limit or fusing should be considered
- Overhung load capacities shown are at center of output shaft
- **Bison®/Dayton® direct interchange**

90 & 180 Volts - TENV - P300 Series

Output RPM	FL. Torque (Lb In.)	Input HP	Catalog Number	Stock	List Price	Model Number	Gearmotor Type & Frame	Ratio to 1	Arm. Volts DC	FL. Amps DC	Over-hung Load (lb.)	Dimensions (inches)				♥Notes
												P	X	XL	XH	
5	353	1/20	M1115024.00	√	905	985.602	P303-30E	336	90	0.5	565	3.00	3.54	10.07	8.57	S, US
9	268	1/20	M1115025.00	√	905	985.603	P303-30E	216	90	0.5	474	3.00	3.54	10.07	8.57	S, US
18	150	1/20	M1115026.00	√	905	985.604	P303-30E	103	90	0.5	385	3.00	3.54	10.07	8.57	S, US
20	140	1/20	M1115092.00	√	927	985.607	P303-31E	90	180	0.3	370	3.11	3.54	10.07	8.57	S, US
24	280	1/8	M1125069.00	√	927	985.611	P303-30E	76	90	1.3	353	3.00	3.54	11.54	10.04	S, US
31	220	1/8	M1125070.00	√	927	985.612	P303-30E	58	90	1.3	327	3.00	3.54	11.54	10.04	S, US
31	220	1/8	M1125038.00	√	927	985.617	P303-30E	58	180	0.7	327	3.00	3.54	11.54	10.04	S, US
34	82	1/20	M1115027.00	√	905	985.605	P303-30E	52	90	0.5	318	3.00	3.54	10.07	8.57	S, US
51	130	1/8	M1125071.00	√	854	985.615	P302-30E	35	90	1.3	277	3.00	3.54	11.54	10.04	S, US
51	130	1/8	M1125039.00	√	854	985.614	P302-30E	35	180	0.7	277	3.00	3.54	11.54	10.04	S, US
51	55	1/20	M1115028.00	√	833	985.606	P302-30E	35	90	0.5	281	3.00	3.54	10.07	8.57	S, US
61	113	1/8	M1125072.00	√	854	985.610	P302-30E	29	90	1.3	267	3.00	3.54	11.54	10.04	S, US
60	45	1/20	M1125093.00	√	854	985.609	P302-31E	29	180	0.3	267	3.11	3.54	10.07	8.57	S, US
94	77	1/8	M1125073.00	√	854	985.613	P302-30E	19	90	1.3	236	3.00	3.54	11.54	10.04	S, US
94	77	1/8	M1125040.00	√	854	985.618	P302-30E	19	180	0.7	236	3.00	3.54	11.54	10.04	S, US
109	27	1/20	M1115029.00	√	833	985.601	P302-30E	16	90	0.5	224	3.00	3.54	10.07	8.57	S, US
106	26	1/20	M1125094.00	C/A	833	985.608	P302-31E	16	180	0.3	222	3.11	3.54	10.07	8.57	S, US
167	43	1/8	M1125074.00	√	854	985.616	P302-30E	11	90	1.3	197	3.00	3.54	11.54	10.04	S, US
170	43	1/8	M1125041.00	√	854	985.619	P302-30E	11	180	0.7	196	3.00	3.54	11.54	10.04	S, US

C/A - Check Availability

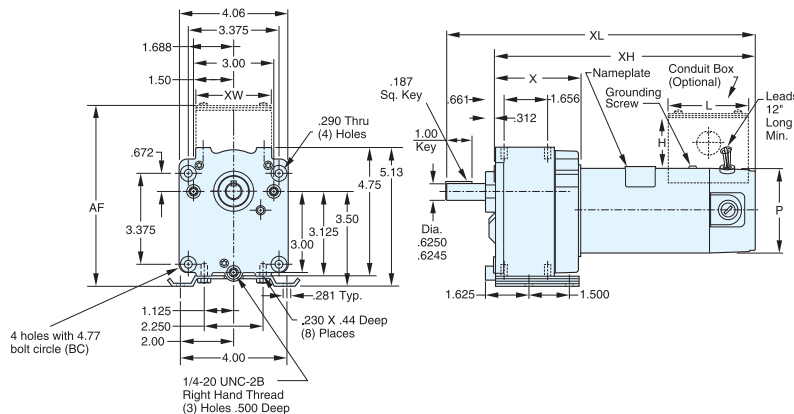
♥ Note listing on inside back flap
Specifications are subject to change without notice

12 Volt - TENV - P300 Series

Output RPM	FL. Torque (Lb In.)	Input HP	Catalog Number	Stock	List Price	Model Number	Gearmotor Type & Frame	Ratio to 1	Arm. Volts DC	FL. Amps DC	Over-hung Load (lb.)	Dimensions (inches)				♥Notes
												P	X	XL	XH	
5	353	1/20	M1125217.00	√	927	985.657	P303-30	336	12	5.6	565	3.00	3.85	10.07	8.57	S, US
31	220	1/8	M1125218.00	√	950	985.658	P303-30	58	12	10.6	327	3.00	3.54	11.54	10.04	S, US
51	130	1/8	M1125219.00	√	913	985.659	P302-30	35	12	10.3	277	3.00	3.23	11.54	10.04	S, US
61	113	1/8	M1125220.00	√	873	985.660	P302-30	29	12	10.4	267	3.00	3.23	11.54	10.04	S, US

♥ Note listing on inside back flap
Specifications are subject to change without notice

P300 SERIES



Conduit Box Dimensions (IN)

Frame	XW	AB	H	L
30/31	2.63	3.47	1.90	3.13

Gearmotors

Off-Set Shaft Gearmotors - OS300 Series - DC

SCR Rated - 130-268 In-Lbs. Torque

Low Voltage - 130-268 In-Lbs. Torque



General Specifications - SCR Rated Gearmotors:

- Performance matched for continuous duty service over 60:1 speed range
- Constant torque throughout the range when powered by a full-wave unfiltered SCR-type adjustable speed control having a typical form factor of 1.3 to 1.4

General Specifications - Low Voltage Gearmotors:

- Performance matched for continuous duty service
- Designed for battery power or can be used with a low voltage controller with form factor up to 1.05

Features:

- Precision machined in-line steel gears
- First stage steel helical gear followed by spur-type gears
- Lubrication is permanent semi-fluid grease, reducing possibility of leakage
- Output shafts have needle bearings for high load capacities
- Shafts are hardened steel
- Optional conduit box available, see page 358

Application Notes:

- Placing the gearmotor with the motor below the gearbox should be avoided to prevent leakage of lubricant into the motor should the motor shaft seal fail
- Motor's stall torque could exceed recommended full load torques. A current limiting device such as an SCR control should be used to prevent damage. This issue is even more critical for low voltage motors, typically no controller is used since motor is connected directly to a battery, so some type of current limit or fusing should be considered
- Overhung load capacities shown are at center of output shaft

SCR Rated - 130-268 In-Lbs. Torque
Low Voltage - 130-268 In-Lbs. Torque

90 Volts - TENV - OS300 Series

Output RPM	FL. Torque (Lb In.)	Input HP	Catalog Number	Stock	List Price	Model Number	Gearmotor Type & Frame	Ratio to 1	Arm. Volts DC	FL. Amps DC	Over-hung Load (lb.)	Dimensions (inches)				♥Notes
												P	X	XL	XH	
9	268	1/20	M1125251.00	C/A	763	985.692	OS303-30	210	90	0.5	474	3.00	2.81	4.5	8.52	S, US
19	150	1/20	M1125250.00	√	798	985.691	OS303-30	103	90	0.6	385	3.00	2.81	4.5	8.52	S, US
24	280	1/8	M1125249.00	C/A	783	985.690	OS303-30	76	90	1.3	353	3.00	2.81	6.42	10.45	S, US
31	220	1/8	M1125248.00	√	783	985.689	OS303-30	58	90	1.4	327	3.00	2.81	6.42	10.45	S, US
51	130	1/8	M1125247.00	√	783	985.688	OS303-30	35	90	1.4	277	3.00	2.81	6.42	10.45	S, US

C/A - Check Availability

♥ Note listing on inside back flap
Specifications are subject to change without notice

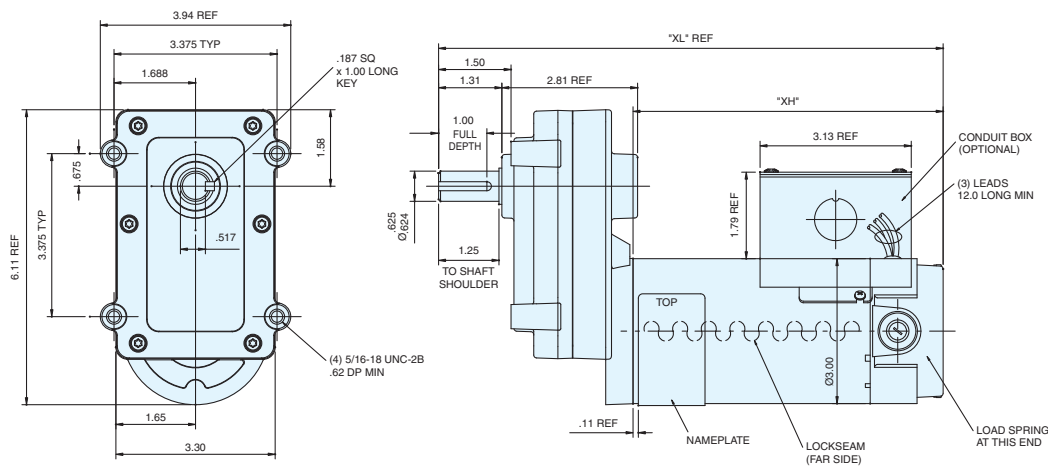
12 Volts - TENV - OS300 Series

Output RPM	FL. Torque (Lb In.)	Input HP	Catalog Number	Stock	List Price	Model Number	Gearmotor Type & Frame	Ratio to 1	Arm. Volts DC	FL. Amps DC	Over-hung Load (lb.)	Dimensions (inches)				♥Notes
												P	X	XL	XH	
9	268	1/20	M1125256.00	C/A	783	985.697	OS303-30	210	12	4.5	474	3.00	2.81	4.5	8.52	S, US
18	150	1/20	M1125255.00	C/A	783	985.696	OS303-30	103	12	5.0	385	3.00	2.08	4.5	8.52	S, US
24	280	1/8	M1125254.00	C/A	802	985.695	OS303-30	76	12	10.6	353	3.00	2.81	6.42	10.45	S, US
31	220	1/8	M1125253.00	√	838	985.694	OS303-30	58	12	10.6	327	3.00	2.81	6.42	10.45	S, US
51	130	1/8	M1125252.00	√	802	985.693	OS303-30	35	12	10.3	277	3.00	2.81	6.42	10.45	S, US

C/A - Check Availability

♥ Note listing on inside back flap
Specifications are subject to change without notice

OS300 SERIES



ALL DIMENSIONS IN INCHES

Gearmotors

PE350 Series - Parallel Shaft - DC

SCR Rated - 25-371 In-Lbs. Torque

Low Voltage - 155-341 In-Lbs Torque



General Specifications - SCR Rated Gearmotors:

- Performance matched for continuous duty service over 60:1 speed range
- Constant torque throughout the range when powered by a full-wave unfiltered SCR-type adjustable speed control having a typical form factor of 1.3 to 1.4

General Specifications - Low Voltage Gearmotors:

- Performance matched for continuous duty service
- Designed for battery power or can be used with a low voltage controller with form factor up to 1.05

Features:

- Rugged die cast aluminum gear housing for maximum gear and bearing support
- Precision machined gearing, hardened for maximum load capability
- All gearing designed and rated to AGMA class 9 standards, and to withstand momentary shock overload of 200%
- Oversized output bearings for greater overhung load capacity and long life
- High carbon alloy output shaft provides maximum strength and rigidity
- All needle bearing journals are precision ground after heat treating to provide maximum fit and finish
- Heavy duty industrial oil seals keep lubricant in and dirt out
- Gears and bearings are splash lubricated with permanent, heavy duty gear oil
- Optional conduit box available, see page 358

Application Notes:

- Placing the gearmotor with the motor below the gearbox should be avoided to prevent leakage of lubricant into the motor should the motor shaft seal fail
- Motor's stall torque could exceed recommended full load torques. A current limiting device such as an SCR control should be used to prevent damage. This issue is even more critical for low voltage motors, typically no controller is used since motor is connected directly to a battery, so some type of current limit or fusing should be considered
- Overhung load capacities shown are at center of output shaft
- **Bison®/Dayton® direct interchange**

SCR Rated - 25-371 In-Lbs. Torque
Low Voltage - 155-341 In-Lbs Torque

90 & 180 Volts - TENV - PE350 Series

Output RPM	FL. Torque (Lb In.)	Input HP	Catalog Number	Stock	List Price	Model Number	Gearmotor Type & Frame	Ratio to 1	Arm. Volts DC	FL. Amps DC	Over-hung Load (lb.)	Dimensions (inches)		♥Notes
												XL	XH	
7	330	1/8	M1135106.00	√	914	M34D25NZ62	P353-34	336	90	0.7	565	11.31	9.31	S, US
7	330	1/8	M1135139.00	C/A	914	M34D25NZ71	P353-34	336	180	0.4	565	11.31	9.31	S, US
14	341	1/8	M1135107.00	√	914	M34D25NZ61	P353-34	180	90	1.0	465	11.31	9.31	S, US
14	341	1/8	M1135140.00	√	956	M34D25NZ72	P353-34	180	180	0.5	465	11.31	9.31	S, US
21	371	1/4	M1135117.00	√	957	M34D25NZ52	P353-34	124	90	1.1	413	13.31	11.31	S, US
21	371	1/4	M1135141.00	√	957	M34D25NZ73	P353-34	124	180	0.6	413	13.31	11.31	S, US
27	305	1/4	M1135115.00	√	957	M34D25NZ51	P353-34	91	90	1.5	374	13.31	11.31	S, US
27	305	1/4	M1135142.00	√	1.001	M34D25NZ74	P353-34	91	180	0.8	374	13.31	11.31	S, US
42	280	1/4	M1135108.00	√	957	M34D25NZ53	P353-34	58	90	2.3	327	13.31	11.31	S, US
42	280	1/4	M1135143.00	√	957	M34D25NZ75	P353-34	58	180	1.2	327	13.31	11.31	S, US
50	250	1/4	M1135109.00	√	957	M34D25NZ54	P353-34	50	90	2.3	315	13.31	11.31	S, US
50	250	1/4	M1135144.00	√	957	M34D25NZ76	P353-34	50	180	1.2	315	13.31	11.31	S, US
62	220	1/4	M1135110.00	√	957	M34D25NZ55	P353-34	43	90	2.3	303	13.31	11.31	S, US
62	220	1/4	M1135145.00	√	1.001	M34D25NZ77	P353-34	43	180	1.2	303	13.31	11.31	S, US
83	155	1/4	M1135114.00	√	905	M34D25NZ57	P352-34	29	90	2.3	267	13.31	11.31	S, US
83	155	1/4	M1135146.00	√	905	M34D25NZ78	P352-34	29	180	1.2	267	13.31	11.31	S, US
125	100	1/4	M1135111.00	√	905	M34D25NZ56	P352-34	23	90	2.0	256	13.31	11.31	S, US
125	100	1/4	M1135147.00	√	905	M34D25NZ79	P352-34	23	180	1.0	256	13.31	11.31	S, US
165	70	1/4	M1135112.00	√	905	M34D25NZ58	P352-34	15	90	2.0	232	13.31	11.31	S, US
165	70	1/4	M1135148.00	√	905	M34D25NZ80	P352-34	15	180	1.0	232	13.31	11.31	S, US
250	45	1/4	M1135116.00	√	905	M34D25NZ60	P352-34	10	90	2.0	201	13.31	11.31	S, US
250	45	1/4	M1135149.00	√	905	M34D25NZ81	P352-34	10	180	1.0	201	13.31	11.31	S, US
500	25	1/4	M1135113.00	√	905	M34D25NZ59	P352-34	5	90	2.0	194	13.31	11.31	S, US
500	25	1/4	M1135150.00	√	905	M34D25NZ82	P352-34	5	180	1.0	194	13.31	11.31	S, US

C/A - Check Availability

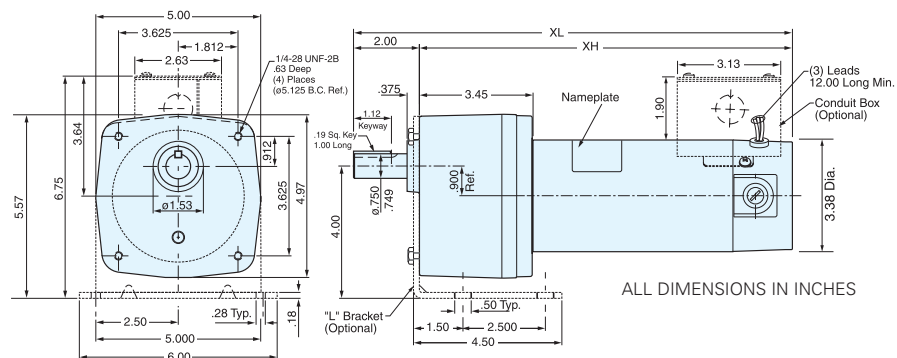
♥ Note listing on inside back flap
Specifications are subject to change without notice

12 Volts - TENV - PE350 Series

Output RPM	FL. Torque (Lb In.)	Input HP	Catalog Number	Stock	List Price	Model Number	Gearmotor Type & Frame	Ratio to 1	Arm. Volts DC	FL. Amps DC	Over-hung Load (lb.)	Dimensions (inches)		♥Notes
												XL	XH	
14	341	1/8	M1135243.00	√	933	M34D25NZ154	P353-34	180	12	8.7	465	11.05	9.05	S, US
42	325	1/4	M1135244.00	√	979	M34D25NZ155	P353-34	58	12	21.0	327	13.31	11.31	S, US
62	220	1/4	M1135245.00	√	979	M34D25NZ156	P353-34	43	12	21.0	303	13.31	11.31	S, US
83	155	1/4	M1135246.00	√	927	M34D25NZ157	P352-34	29	12	21.0	267	13.31	11.31	S, US

♥ Note listing on inside back flap
Specifications are subject to change without notice

PE350 SERIES - DC



Gearmotors

Parallel Shaft - P1100 Series - DC

SCR Rated - 105-1112 In-Lbs. Torque

Low Voltage - 320-1087 In-Lbs. Torque



General Specifications - SCR Rated Gearmotors:

- Performance matched for continuous duty service over 60:1 speed range
- Constant torque throughout the range when powered by a full-wave unfiltered SCR-type adjustable speed control having a typical form factor of 1.3 to 1.4

General Specifications - Low Voltage Gearmotors:

- Performance matched for continuous duty service
- Designed for battery power or can be used with a low voltage controller with form factor up to 1.05

Features:

- Rugged die cast aluminum gear housing for maximum gear and bearing support
- Precision machined gearing, hardened for maximum load capability
- All gearing designed and rated to AGMA class 9 standards, and to withstand momentary shock overload of 200%
- Oversized output bearings for greater overhung load capacity and long life
- High carbon alloy output shaft provides maximum strength and rigidity
- All needle bearing journals are precision ground after heat treating to provide maximum fit and finish
- Heavy duty industrial oil seals keep lubricant in and dirt out
- Gears and bearings are splash lubricated with permanent, heavy duty gear oil
- Conduit box included as standard

Application Notes:

- Placing the gearmotor with the motor below the gearbox should be avoided to prevent leakage of lubricant into the motor should the motor shaft seal fail
- Motor's stall torque could exceed recommended full load torques. A current limiting device such as an SCR control should be used to prevent damage. This issue is even more critical for low voltage motors, typically no controller is used since motor is connected directly to a battery, so some type of current limit or fusing should be considered
- Overhung load capacities shown are at center of output shaft
- **Bison®/Dayton® direct interchange**

90 Volts - Totally Enclosed - Rigid Base - P1100 Series

Output RPM	FL. Torque (Lb In.)	Input HP	Catalog Number	Stock	List Price	Model Number	Gearmotor Type & Frame	Ratio to 1	Arm. Volts DC	FL. Amps DC	Over-hung Load (lb.)	Dimensions (inches)		♥Notes
												XL	XH	
8	1087	1/4	108700.00	√	1,559	4D17NZ17	P1103-48	212	90	2.7	700	14.24	12.74	S, US, 12
12	1030	1/4	108701.00	√	1,559	4D17NZ18	P1103-48	143	90	2.7	700	14.24	12.74	S, US, 12
18	750	1/4	108702.00	√	1,559	4D17NZ19	P1103-48	95	90	2.7	700	14.24	12.74	S, US, 12
42	353	1/4	108703.00	√	1,520	4D17NZ20	P1102-48	42	90	2.7	650	14.24	12.74	S, US, 12
60	238	1/4	108704.00	√	1,520	4D17NZ21	P1102-48	29	90	2.7	625	14.24	12.74	S, US, 12
92	160	1/4	108705.00	√	1,464	4D17NZ22	P1102-48	19	90	2.7	575	14.24	12.74	S, US, 12
135	105	1/4	108706.00	√	1,520	4D17NZ23	P1102-48	13	90	2.7	525	14.24	12.74	S, US, 12
18	1112	1/2	108707.00	√	1,684	4D17FZ23	P1103-48	95	90	5.0	700	16.49	14.99	S, US
33	822	1/2	108708.00	√	1,684	4D17FZ24	P1103-48	53	90	5.0	650	16.49	14.99	S, US
42	705	1/2	108709.00	√	1,653	4D17FZ25	P1102-48	42	90	5.0	650	16.49	14.99	S, US
60	476	1/2	108710.00	√	1,653	4D17FZ26	P1102-48	29	90	5.0	625	16.49	14.99	S, US
92	320	1/2	108711.00	√	1,653	4D17FZ27	P1102-48	19	90	5.0	575	16.49	14.99	S, US
135	210	1/2	108712.00	√	1,653	4D17FZ28	P1102-48	13	90	5.0	525	16.49	14.99	S, US

Note 12 - TENV

♥ Note listing on inside back flap
Specifications are subject to change without notice

12 Volts - Totally Enclosed - Rigid Base - P1100 Series

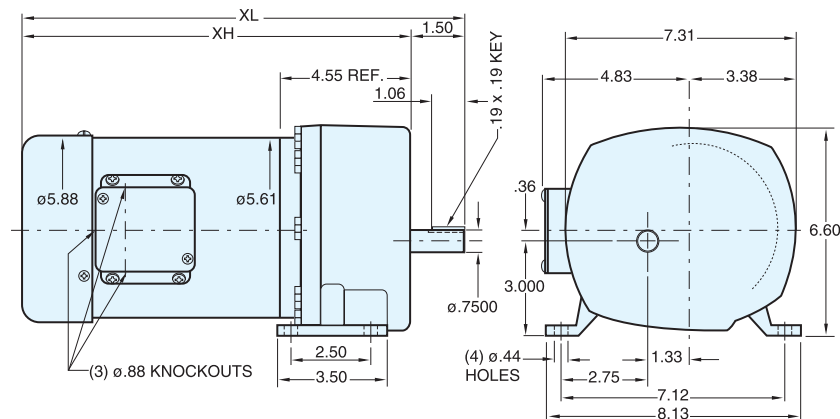
Output RPM	FL. Torque (Lb In.)	Input HP	Catalog Number	Stock	List Price	Model Number	Gearmotor Type & Frame	Ratio to 1	Arm. Volts DC	FL. Amps DC	Over-hung Load (lb.)	Dimensions (inches)		♥Notes
												XL	XH	
8	1087	1/4	108729.00	√	1,593	4D17NZ43	P1103-48	212	12	21	700	13.74	12.24	S, US, 12
60	238	1/4	108730.00	√	1,558	4D17NZ44	P1102-48	29	12	21	625	13.74	12.24	S, US, 12
42	705	1/2	108731.00	√	1,684	4D17FZ52	P1102-48	42	12	40	650	15.99	14.49	S, US
92	320	1/2	108732.00	C/A	1,621	4D17FZ53	P1102-48	19	12	40	575	15.99	14.49	S, US

Note 12 - TENV

C/A - Check Availability

♥ Note listing on inside back flap
Specifications are subject to change without notice

P1100 SERIES - DC



ALL DIMENSIONS IN INCHES



Gearmotors

Right-Angle DC Gearmotors

SCR Rated - 5-135 In-Lbs. Torque

Low Voltage - 25-135 In-Lbs. Torque



General Specifications - SCR Rated Gearmotors:

- Performance matched for continuous duty service over 60:1 speed range
- Constant torque throughout the range when powered by a full-wave unfiltered SCR-type adjustable speed control having a typical form factor of 1.3 to 1.4

General Specifications - Low Voltage Gearmotors:

- Performance matched for continuous duty service
- Designed for battery power or can be used with a low voltage controller with form factor up to 1.05

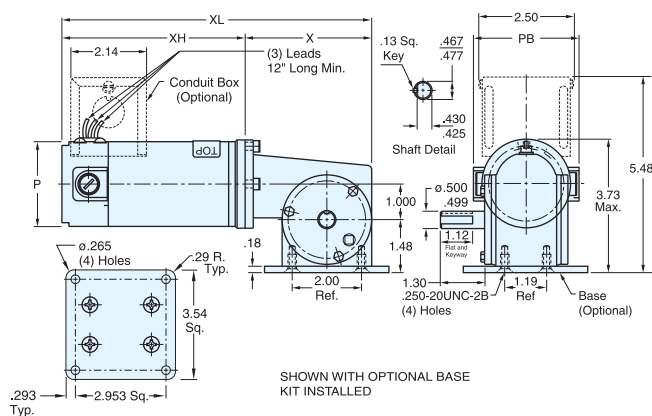
Features:

- Worm-type right-angle gearing features hardened, steel worm with bronze worm wheel for long life and quiet operation
- Precision machined aluminum gear housing
- Lubrication is permanent with an oil bath
- Gearbox has all ball bearings
- Output shaft is field interchangeable from left hand to right hand style by reassembly
- Double output shaft available as a factory option
- Optional conduit box available, see page 358
- Optional gearbox base available (10 Series only), see page 358

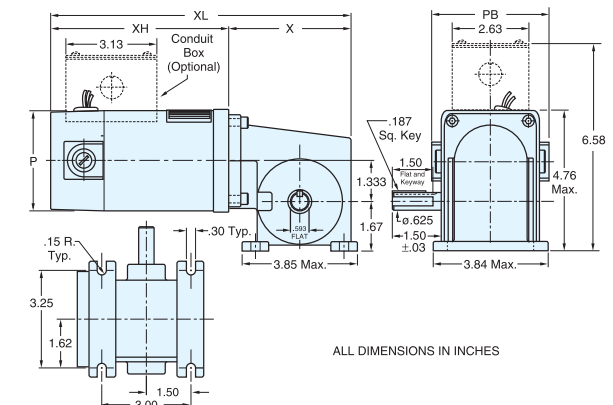
Application Notes:

- Placing the gearmotor with the motor below the gearbox should be avoided to prevent leakage of lubricant into the motor should the motor shaft seal fail
- These right-angle gearmotors have a lubrication breather positioned for horizontal mounting. For other mountings, the breather plug must be reoriented by using a 90° 1/8" NPT taper pipe elbow. Regal does not offer this elbow. It is not recommended to place the gearmotor with the gearbox shaft up.
- Overhung load capacities shown are at center of output shaft

10 SERIES - DC



13 SERIES - DC



Gearmotors

Right-Angle DC Gearmotors

**SCR Rated - 5-135 In-Lbs. Torque &
Low Voltage - 25-135 In-Lbs. Torque**

Gearmotors

AC / DC Controls

Accessories / Kits

Mods / Factory
Options

X-Ref / Index

Tech Information

Warnings/Cautions

90 & 180 Volts - TENV - Right-Angle

Out-put RPM	FL. Torque (Lb In.)	Input HP	Catalog Number	Stock	List Price	Model Number	Gearmotor Type & Frame	Ratio to 1	Arm. Volts DC	FL. Amps DC	Over-hung Load (lb.)	Dimensions (inches)					♥Notes
												P	PB	X	XL	XH	
42	22	1/17	M1115018.00	√	708	985.504	10F60-25D	60	90	0.9	185	2.5	3	3.6	8.79	5.19	S, US
62	19	1/17	M1115019.00	√	708	985.505	10F40-25D	40	90	0.9	185	2.5	3	3.6	8.79	5.19	S, US
125	16	1/17	M1115020.00	√	708	985.506	10F20-25D	20	90	0.9	185	2.5	3	3.6	8.79	5.19	S, US
250	10	1/17	M1115021.00	√	708	985.509	10F10-25D	10	90	1.0	185	2.5	3	3.6	8.79	5.19	S, US
500	5	1/17	M1115022.00	√	708	985.507	10F05-25D	5	90	1.0	185	2.5	3	3.6	8.79	5.19	S, US
42	30	1/12	M1135053.00	√	708	M34D25NZ30	13F60-34A	60	180	0.5	235	3.38	4	4.5	9.64	5.14	S, US
62	35	1/12	M1135054.00	C/A	708	M34D25NZ31	13F40-34A	40	180	0.5	235	3.38	4	4.5	9.64	5.14	S, US
125	18	1/12	M1135055.00	√	741	CM34D25NZ32	13F20-34A	20	180	0.5	235	3.38	4	4.5	9.64	5.14	S, US
250	10	1/12	M1135056.00	C/A	708	M34D25NZ47	13F10-34A	10	180	0.5	235	3.38	4	4.5	9.64	5.14	S, US
500	5	1/12	M1135057.00	C/A	708	M34D25NZ48	13F05-34A	5	180	0.5	235	3.38	4	4.5	9.64	5.14	S, US
42	80	1/8	M1135069.00	√	816	M34D25NZ18	13F60-34C	60	90	1.4	235	3.38	4	4.5	10.64	6.14	S, US
62	70	1/8	M1135038.00	√	816	M34D25NZ6	13F40-34C	40	90	1.4	235	3.38	4	4.5	10.64	6.14	S, US
62	70	1/8	M1135058.00	√	816	M34D25NZ26	13F40-34C	40	180	0.7	235	3.38	4	4.5	10.64	6.14	S, US
125	45	1/8	M1135039.00	√	816	M34D25NZ7	13F20-34C	20	90	1.4	235	3.38	4	4.5	10.64	6.14	S, US
125	45	1/8	M1135059.00	√	816	M34D25NZ27	13F20-34C	20	180	0.7	235	3.38	4	4.5	10.64	6.14	S, US
250	25	1/8	M1135040.00	√	816	M34D25NZ8	13F10-34C	10	90	1.4	235	3.38	4	4.5	10.64	6.14	S, US
250	25	1/8	M1135060.00	√	816	M34D25NZ28	13F10-34C	10	180	0.7	235	3.38	4	4.5	10.64	6.14	S, US
500	13	1/8	M1135041.00	√	816	M34D25NZ9	13F05-34C	5	90	1.4	235	3.38	4	4.5	10.64	6.14	S, US
500	13	1/8	M1135061.00	C/A	816	M34D25NZ29	13F05-34C	5	180	0.7	235	3.38	4	4.5	10.64	6.14	S, US
62	135	1/4	M1135042.00	√	880	M34D25NZ10	13F40-34G	40	90	2.3	235	3.38	4	4.5	12.64	8.14	S, US
62	135	1/4	M1135062.00	√	880	M34D25NZ33	13F40-34G	40	180	1.3	235	3.38	4	4.5	12.64	8.14	S, US
83	125	1/4	M1135043.00	√	880	M34D25NZ11	13F30-34G	30	90	2.3	235	3.38	4	4.5	12.64	8.14	S, US
83	125	1/4	M1135063.00	√	880	M34D25NZ34	13F30-34G	30	180	1.3	235	3.38	4	4.5	12.64	8.14	S, US
125	90	1/4	M1135044.00	√	880	M34D25NZ12	13F20-34G	20	90	2.3	235	3.38	4	4.5	12.64	8.14	S, US
125	90	1/4	M1135064.00	√	880	M34D25NZ35	13F20-34G	20	180	1.3	235	3.38	4	4.5	12.64	8.14	S, US
250	50	1/4	M1135045.00	√	880	M34D25NZ13	13F10-34G	10	90	2.3	235	3.38	4	4.5	12.64	8.14	S, US
250	50	1/4	M1135065.00	√	880	M34D25NZ36	13F10-34G	10	180	1.3	235	3.38	4	4.5	12.64	8.14	S, US
500	30	1/4	M1135046.00	√	880	M34D25NZ14	13F05-34G	5	90	2.3	235	3.38	4	4.5	12.64	8.14	S, US
500	30	1/4	M1135066.00	√	880	M34D25NZ37	13F05-34G	5	180	1.3	235	3.38	4	4.5	12.64	8.14	S, US

C/A - Check Availability

♥ Note listing on inside back flap
Specifications are subject to change without notice

12 Volts - TENV - Right-Angle Series

Out-put RPM	FL. Torque (Lb In.)	Input HP	Catalog Number	Stock	List Price	Model Number	Gearmotor Type & Frame	Ratio to 1	Arm. Volts DC	FL. Amps DC	Over-hung Load (lb.)	Dimensions (inches)					♥Notes
												P	PB	X	XL	XH	
42	80	1/8	M1135249.00	C/A	833	M34D25NZ158	13F60-34	60	12	11.0	235	3.38	4.21	4.5	10.39	5.89	S, US
250	25	1/8	M1135250.00	C/A	833	M34D25NZ159	13F10-34	10	12	11.0	235	3.38	4.21	4.5	10.39	5.89	S, US
62	135	1/4	M1135251.00	√	892	M34D25NZ160	13F40-34	40	12	21.0	235	3.38	4.21	4.5	12.64	8.14	S, US
125	90	1/4	M1135252.00	√	892	M34D25NZ161	13F20-34	20	12	21.0	235	3.38	4.21	4.5	12.64	8.14	S, US

C/A - Check Availability

♥ Note listing on inside back flap
Specifications are subject to change without notice



Gearmotors



Bravo® Series 12 SUB-FHP - DC Right-Angle Gearmotors

General Specifications - SCR Rated Gearmotors:

- Performance matched for continuous duty service over 60:1 speed range
- Constant torque throughout the range when powered by a full-wave unfiltered SCR-type adjustable speed control having a typical form factor of 1.3 to 1.4

General Specifications - Low Voltage Gearmotors:

- Performance matched for continuous duty service
- Designed for battery power or can be used with a low voltage controller with form factor up to 1.05

Features:

- Worm-type right-angle gearing features hardened, steel worm with bronze worm wheel for long life and quiet operation
- Single piece die cast aluminum alloy housing is vacuum impregnated with Resinol RT for protection and sealing
- Light weight gearbox combines high tensile strength along with being precision machined for alignment of bearings and gearing
- High temperature nitrile seals for optimum seal life
- Gearbox provided with solid output shaft, but can be converted to a hollow output shaft. Simply remove the solid shaft by removing the snap rings
- T-base feet provided are removable to convert to face mounting
- Optional conduit box available, see page 356

Bravo® Series 12 SUB-FHP - DC Right-Angle Gearmotors

90 Volts - Totally Enclosed - Right-Angle

Output RPM	FL. Torque (Lb.In.)	Input HP	Catalog Number	Stock	List Price	Model Number	Enclosure	Gearmotor Type & Frame	Ratio to 1	Arm. Volts DC	FL. Amps. DC	♥Notes
28	125	1/8	M1135292.00	√	834	M34D17NZ31	TENV	12B60-34D	61.0	90	1.6	S, US
45	87	1/8	M1135291.00	C/A	834	M34D17NZ30	TENV	12B39-34D	39.0	90	1.6	S, US
58	158	1/4	M1135290.00	√	881	M34D17FZ7	TEFC	12B30-34G	30.0	90	2.8	S, US
90	100	1/4	M1135289.00	√	881	M34D17FZ6	TEFC	12B19-34G	19.0	90	2.6	S, US
115	85	1/4	M1135288.00	C/A	881	M34D17FZ5	TEFC	12B15-34G	15.0	90	2.6	S, US
167	61	1/4	M1135287.00	√	881	M34D17FZ4	TEFC	12B11-34G	10.6	90	2.6	S, US
250	46	1/4	M1135286.00	√	881	M34D17FZ3	TEFC	12B7-34G	7.0	90	2.6	S, US

C/A - Check Availability

♥ Note listing on inside back flap
Specifications are subject to change without notice

12 Volt - TENV - Right-Angle

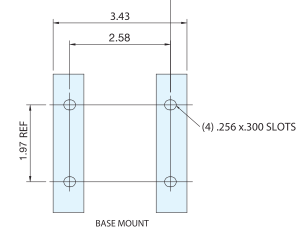
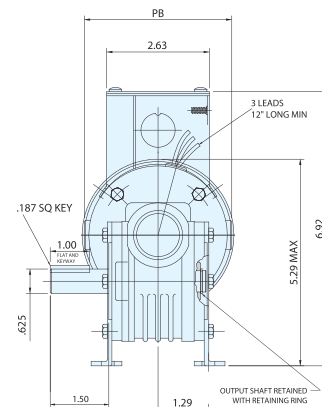
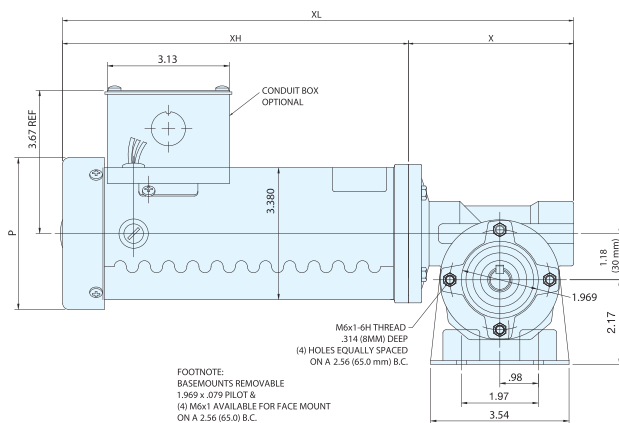
Output RPM	FL. Torque (Lb.In.)	Input HP	Catalog Number	Stock	List Price	Model Number	Enclosure	Gearmotor Type & Frame	Ratio to 1	Arm. Volts DC	FL. Amps. DC	♥Notes
27	134	1/8	M1135285.00	C/A	868	M34D17NZ29	TENV	12B60-34C	61.0	12	14.0	S, US
45	94	1/8	M1135284.00	C/A	868	M34D17NZ28	TENV	12B39-34C	39.0	12	15.0	S, US
58	158	1/4	M1135297.00	√	950	M34D17NZ36	TENV	12B30-34F	30.0	12	24.0	S, US
90	100	1/4	M1135296.00	C/A	909	M34D17NZ35	TENV	12B19-34F	19.0	12	24.0	S, US
115	85	1/4	M1135295.00	C/A	909	M34D17NZ34	TENV	12B15-34F	15.0	12	23.0	S, US
167	61	1/4	M1135294.00	C/A	909	M34D17NZ33	TENV	12B11-34F	10.6	12	21.0	S, US
250	46	1/4	M1135293.00	√	950	M34D17NZ32	TENV	12B7-34F	7.0	12	23.0	S, US

C/A - Check Availability

♥ Note listing on inside back flap
Specifications are subject to change without notice

Notes:

- 1 Conduit box not supplied with the gearmotor. Mounting provisions are provided and can use conduit box kit catalog number M1760007.00 found on page 356.
- 2 For solid double output shaft, consult factory.



SCR 90 Volt Rated (IN)

P	X	XL	XH	PB
3.38	4.32	11.07	6.75	4.00
3.38	4.32	11.07	6.75	4.00
3.88	4.32	13.16	8.84	3.76
3.88	4.32	13.16	8.84	3.76
3.88	4.32	13.16	8.84	3.76
3.88	4.32	13.16	8.84	3.76
3.88	4.32	13.16	8.84	3.76
3.88	4.32	13.16	8.84	3.76

Low Voltage 12V (IN)

P	X	XL	XH	PB
3.38	4.32	10.57	6.25	4.21
3.38	4.32	10.57	6.25	4.21
3.38	4.32	11.82	7.50	4.21
3.38	4.32	11.82	7.50	4.21
3.38	4.32	11.82	7.50	4.21
3.38	4.32	11.82	7.50	4.21
3.38	4.32	11.82	7.50	4.21
3.38	4.32	11.82	7.50	4.21



Gearmotors

IP55 Washguard® Gearmotors - P300 Series - DC



General Specifications - SCR Rated Gearmotors:

- Performance matched for continuous duty service over 60:1 speed range
- Constant torque throughout the range when powered by a full-wave unfiltered SCR-type adjustable speed control having a typical form factor of 1.3 to 1.4

General Specifications - Low Voltage Gearmotors:

- Performance matched for continuous duty service
- Designed for battery power or can be used with a low voltage controller with form factor up to 1.05

Features:

- Gearbox output shafts are coated with Microlon® 3300 fortified Teflon® for superior corrosion resistance
- Frame, endshields, armature and interior components protected by enamel and polyester compounds for resistance to moisture, acids, alkalies and oil
- Precision machined in-line steel gears
- First stage steel helical gear followed by spur-type gears
- Lubrication is permanent semi-fluid grease, reducing possibility of leakage
- Output shafts have needle bearings for high load capacities
- Gearbox shafts are hardened steel
- Cast conduit box with threaded conduit holes and nitrile gaskets keep water out
- Conduit box cover is made from 304 stainless steel
- For any condensation that may accumulate inside the motor, a one-way stainless steel vapor vent is provided
- All hardware is stainless steel
- Painted with white epoxy for superior corrosion resistance and protection
- Machined fits between the endbells and motor frame are sealed with gaskets
- Thru-bolt heads and nuts sealed with fiber washers
- O-rings under each threaded brush cover

Application Notes:

- Extended life in wet, high humidity applications
- Design repels water from entering motor
- Internal components protected against rust and corrosion
- Placing the gearmotor with the motor below the gearbox should be avoided to prevent leakage of lubricant into the motor should the motor shaft seal fail
- Overhung load capacities shown are at center of output shaft
- Motor's stall torque could exceed recommended full load torques. A current limiting device such as an SCR control should be used to prevent damage. This issue is even more critical for low voltage motors, typically no controller is used since motor is connected directly to a battery, so some type of current limit or fusing should be considered
- USDA Approved white epoxy finish
- **Bison®/Dayton® direct interchange**

Teflon is believed to be a trademark or trade name of The Chemours Company and is not owned or controlled by Regal Beloit Corporation.

Microlon is believed to be a trademark or trade name of Micro Surface Corporation and is not owned or controlled by Regal Beloit Corporation.

Bison is believed to be the trademark or trade name of Bison Gear & engineering Corporation and is not owned or controlled by Regal Beloit Corporation.





Gearmotors

IP55 Washguard® Gearmotors - P300 Series - DC

Gearmotors

AC / DC Controls

Accessories / Kits

Mods / Factory Options

X-Ref / Index

Tech Information

Warnings/Cautions

90 Volts - TENV - P300 Series

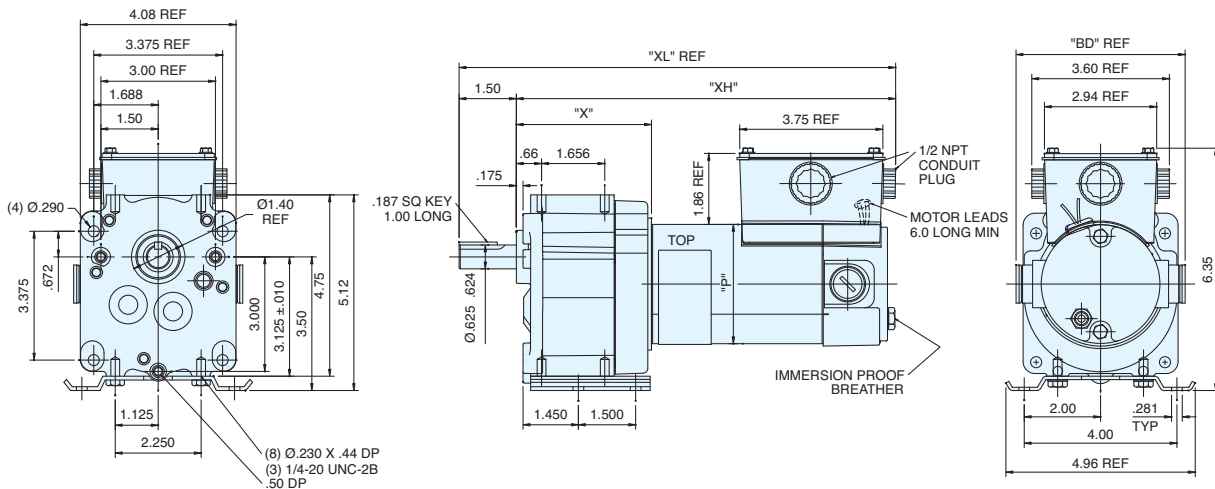
Output RPM	F.L. Torque (Lb In.)	Input HP	Catalog Number	Stock	List Price	Model Number	Gearmotor Type & Frame	Ratio to 1	Arm. Volts DC	F.L. Amps DC	Overhung Load (lb.)	Dimensions (inches)					♥Notes
												P	PB	X	XL	XH	
5	353	1/20	M1125261.00	√	1,051	M31D17VZ5	P303-31	336	90	0.8	565	3.13	3.8	3.54	10.44	8.94	S, US
31	220	1/8	M1125262.00	√	1,080	M31D17VZ6	P303-31	58	90	1.6	327	3.13	3.8	3.54	11.94	10.44	S, US
51	130	1/8	M1125263.00	√	999	M31D17VZ7	P302-31	35	90	1.6	277	3.13	3.8	3.54	11.94	10.44	S, US
94	77	1/8	M1125264.00	√	999	M31D17VZ8	P302-31	19	90	1.6	236	3.13	3.8	3.54	11.94	10.44	S, US
167	43	1/8	M1125265.00	√	999	M31D17VZ9	P302-31	11	90	1.6	197	3.13	3.8	3.54	11.94	10.44	S, US

♥ Note listing on inside back flap
Specifications are subject to change without notice

12 Volts - TENV - P300 Series

Output RPM	F.L. Torque (Lb In.)	Input HP	Catalog Number	Stock	List Price	Model Number	Gearmotor Type & Frame	Ratio to 1	Arm. Volts DC	F.L. Amps DC	Overhung Load (lb.)	Dimensions (inches)					♥Notes
												P	PB	X	XL	XH	
5	353	1/20	M1125266.00	√	1,080	M31D17VZ10	P303-31	336	12	6.4	565	3.13	3.8	3.54	10.44	8.94	S, US
31	220	1/8	M1125267.00	√	1,107	M31D17VZ11	P303-31	58	12	11	327	3.13	4.43	3.54	11.44	9.94	S, US

♥ Note listing on inside back flap
Specifications are subject to change without notice





General Specifications - SCR Rated Gearmotors:

- Performance matched for continuous duty service over 60:1 speed range
- Constant torque throughout the range when powered by a full-wave unfiltered SCR-type adjustable speed control having a typical form factor of 1.3 to 1.4

General Specifications - Low Voltage Gearmotors:

- Performance matched for continuous duty service
- Designed for battery power or can be used with a low voltage controller with form factor up to 1.05

Features:

- Gearbox output shafts are coated with Microlon® 3300 fortified Teflon® for superior corrosion resistance
- Frame, endshields, armature and interior components protected by enamel and polyester compounds for resistance to moisture, acids, alkalies and oil
- Precision machined in-line steel gears
- First stage steel helical gear followed by spur-type gears
- Lubrication is permanent semi-fluid grease, reducing possibility of leakage
- Output shafts have needle bearings for high load capacities
- Gearbox Shafts are hardened steel
- Cast conduit box with threaded conduit holes and nitrile gaskets keep water out
- Conduit box cover is made from 304 stainless steel
- For any condensation that may accumulate inside the motor, a one-way stainless steel vapor vent is provided
- All hardware is stainless steel
- Painted with white epoxy for superior corrosion resistance and protection
- Machined fits between the endbells and motor frame are sealed with gaskets
- Thru-bolt heads and nuts sealed with fiber washers
- O-rings under each threaded brush cover

Application Notes:

- Extended life in wet, high humidity applications
- Design repels water from entering motor
- Internal components protected against rust and corrosion
- Placing the gearmotor with the motor below the gearbox should be avoided to prevent leakage of lubricant into the motor should the motor shaft seal fail
- Overhung load capacities shown are at center of output shaft
- Motor's stall torque could exceed recommended full load torques. A current limiting device such as an SCR control should be used to prevent damage. This issue is even more critical for low voltage motors, typically no controller is used since motor is connected directly to a battery, so some type of current limit or fusing should be considered
- USDA Approved white epoxy finish
- **Bodine®/Baldor® direct interchange**

ABB is believed to be the trademark or trade name of ABB ASEA Brown Boveri Ltd and is not owned or controlled by Regal Beloit Corporation.

Bodine is believed to be the trademark or trade name of Bodine Electric Corporation and is not owned or controlled by Regal Beloit Corporation.

Teflon is believed to be a trademark or trade name of The Chemours Company and is not owned or controlled by Regal Beloit Corporation.

Microlon is believed to be a trademark or trade name of Micro Surface Corporation and is not owned or controlled by Regal Beloit Corporation.





Gearmotors

IP55 Washguard® Gearmotors - PE350 - DC

Gearmotors

AC / DC Controls

Accessories / Kits

Mods / Factory Options

X-Ref / Index

Tech Information

Warnings/Cautions

90 Volts - TENV - PE350 Series - Parallel Shaft

Output RPM	F.L. Torque (Lb In.)	Input HP	Catalog Number	Stock	List Price	Model Number	Gearmotor Type & Frame	Ratio to 1	Arm. Volts DC	F.L. Amps DC	Overhung Load (lb.)	Dimensions (inches)					♥Notes
												P	PB	X	XL	XH	
14	341	1/8	M1125268.00	√	1,088	M31D25VZ1	P353-31	180	90	1.5	465	3.13	3.8	3.45	11.84	9.84	S, US
42	280	1/4	M1125269.00	√	1,126	M32D25VZ1	P353-32	58	90	2.6	327	3.25	3.8	3.45	13.84	11.84	S, US
83	155	1/4	M1125270.00	√	1,098	M32D25VZ2	P353-32	29	90	2.6	267	3.25	3.8	3.45	13.84	11.84	S, US
250	45	1/4	M1125271.00	√	1,098	M32D25VZ3	P352-32	10	90	2.6	201	3.25	3.8	3.45	13.84	11.84	S, US
500	25	1/4	M1125272.00	√	1,098	M32D25VZ4	P352-32	5	90	2.6	194	3.25	3.8	3.45	13.84	11.84	S, US

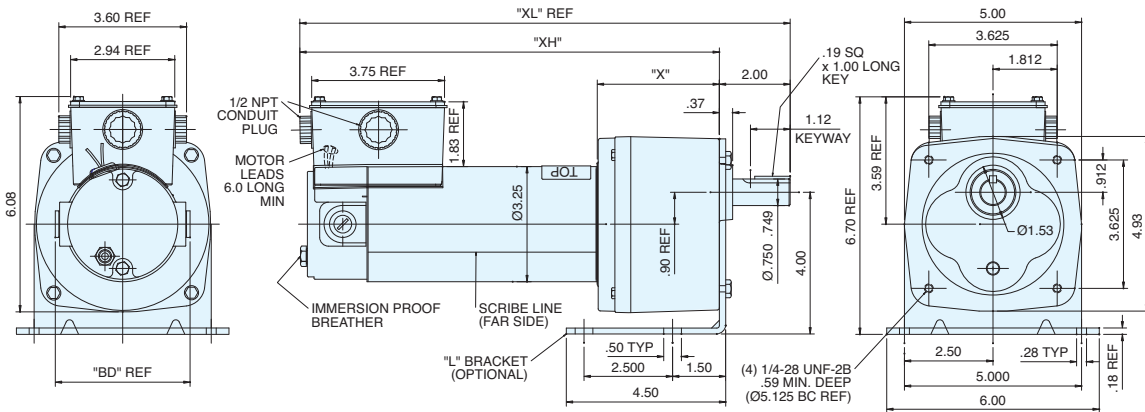
♥ Note listing on inside back flap
Specifications are subject to change without notice

12 Volts - TENV - PE350 Series - Parallel Shaft

Output RPM	F.L. Torque (Lb In.)	Input HP	Catalog Number	Stock	List Price	Model Number	Gearmotor Type & Frame	Ratio to 1	Arm. Volts DC	F.L. Amps DC	Overhung Load (lb.)	Dimensions (inches)					♥Notes
												P	PB	X	XL	XH	
14	341	1/8	M1125273.00	√	1,114	M31D25VZ2	P353-31	180	12	12	465	3.13	4.43	3.45	11.58	9.58	S, US
42	325	1/4	M1125274.00	C/A	1,233	M32D25VZ5	P353-32	58	12	20	327	3.25	4.43	3.45	13.84	11.84	S, US

C/A - Check Availability

♥ Note listing on inside back flap
Specifications are subject to change without notice



Gearmotors

IP55 Washguard® Gearmotors - Right-Angle - DC



General Specifications - SCR Rated Gearmotors:

- Performance matched for continuous duty service over 60:1 speed range
- Constant torque throughout the range when powered by a full-wave unfiltered SCR-type adjustable speed control having a typical form factor of 1.3 to 1.4

General Specifications - Low Voltage Gearmotors:

- Performance matched for continuous duty service
- Designed for battery power or can be used with a low voltage controller with form factor up to 1.05

Features:

- 303 stainless steel gearbox output shaft
- Frame, endshields, armature and interior components protected by enamel and polyester compounds for resistance to moisture, acids, alkalies and oil
- Cast conduit box with threaded conduit holes and nitrile gaskets keep water out
- Conduit box cover is made from 304 stainless steel
- For any condensation that may accumulate inside the motor, a one-way stainless steel vapor vent is provided
- All hardware is stainless steel
- Painted with white epoxy for superior corrosion resistance and protection
- Machined fits between the endbells and motor frame are sealed with gaskets
- Thru-bolt heads and nuts sealed with fiber washers
- O-rings under each threaded brush cover
- Worm-type right-angle gearing features hardened, steel worm with bronze worm wheel for long life and quiet operation
- Precision machined aluminum gear housing
- Lubrication is permanent with an oil bath
- Gearbox has all ball bearings
- Output shaft is field interchangeable from left hand to right hand style by reassembly
- Double output shaft available as a factory option

Application Notes:

- These right-angle gearmotors have a lubrication breather positioned for horizontal mounting. For other mountings, the breather plug must be reoriented by using a 90 deg 1/8" NPT taper pipe elbow. Regal does not offer this elbow. It is not recommended to place the gearmotor with the gearbox shaft up.
- Placing the gearmotor with the motor below the gearbox should be avoided to prevent leakage of lubricant into the motor should the motor shaft seal fail.



Gearmotors

IP55 Washguard® Gearmotors - Right-Angle - DC

90 Volt - TENV - Right-Angle

Output RPM	F.L. Torque (Lb In.)	Input HP	Catalog Number	Stock	List Price	Model Number	Gearmotor Type & Frame	Ratio to 1	Arm. Volts DC	F.L. Amps DC	Over-hung Load (lb.)	Dimensions (inches)					♥Notes
												P	PB	X	XL	XH	
42	80	1/8	M1125275.00	√	1,088	M31D25VZ3	13F60-31	60	90	2.2	235	3.13	3.8	4.5	10.86	6.36	S, US
250	25	1/8	M1125276.00	√	1,088	M31D25VZ4	13F10-31	10	90	2.2	235	3.13	3.8	4.5	10.86	6.36	S, US
62	135	1/4	M1125277.00	√	1,098	M32D25VZ6	13F40-32	40	90	3.7	235	3.25	3.8	4.5	12.86	8.36	S, US
125	90	1/4	M1125278.00	√	1,098	M32D25VZ7	13F20-32	20	90	3.7	235	3.25	3.8	4.5	12.86	8.36	S, US
250	50	1/4	M1125279.00	√	1,098	M32D25VZ8	13F10-32	10	90	3.7	235	3.25	3.8	4.5	12.86	8.36	S, US

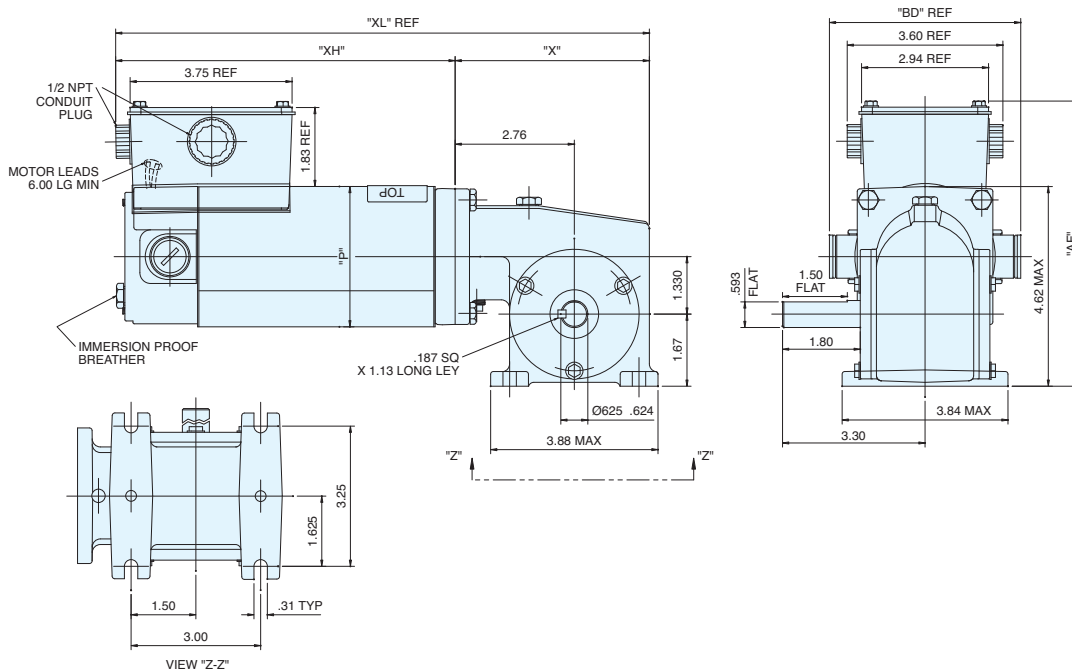
♥ Note listing on inside back flap
Specifications are subject to change without notice

12 Volts - TENV - Right-Angle

Output RPM	F.L. Torque (Lb In.)	Input HP	Catalog Number	Stock	List Price	Model Number	Gearmotor Type & Frame	Ratio to 1	Arm. Volts DC	F.L. Amps DC	Over-hung Load (lb.)	Dimensions (inches)					♥Notes
												P	PB	X	XL	XH	
62	135	1/4	M1125280.00	√	1,042	M32D25VZ9	13F40-32	40	12	28	235	3.25	4.43	4.5	12.36	7.86	S, US
125	90	1/4	M1125281.00	√	1,089	M32D25VZ10	13F20-32	20	12	28	235	3.25	4.43	4.5	12.36	7.86	S, US

♥ Note listing on inside back flap
Specifications are subject to change without notice

13 SERIES - DC



Gearmotors

Parallel Shaft - SUB-FHP - AC Gearmotors

12-100 In-Lbs. Output Torque



Features:

- Permanent split capacitor design rated for 115 VAC 60 HZ input
- Precision machined in-line steel gears
- First stage steel helical gear followed by spur-type gears
- Lubrication is permanent semi-fluid grease, reducing possibility of leakage
- Output shafts have needle bearings for high load capacities
- Shafts are hardened steel
- Optional conduit box and PZ gearmotor mounting bracket available

Application Notes:

- Placing the gearmotor with the motor below the gearbox should be avoided to prevent leakage of lubricant into the motor should the motor shaft seal fail
- The motor's stall torque could exceed recommended full load torques causing gearhead damage, especially in ratios of 60:1 and higher. Provisions to limit the torque are recommended
- The torque values listed are the recommended full load torque values
- Overhung load capacities shown are at center of output shaft
- All PZ Series gearmotors are supplied with continuous duty "run" capacitor
- Optional conduit box available, see page 358
- **Bodine®/Bison®/Dayton® direct interchange**

Bodine is believed to be the trademark or trade name of Bodine Electric Corporation and is not owned or controlled by Regal Beloit Corporation.

Bison is believed to be the trademark or trade name of Bison Gear & engineering Corporation and is not owned or controlled by Regal Beloit Corporation.

Dayton is a trademark or trade name of Dayton Electric Manufacturing and is not owned or controlled by Regal Beloit Corporation.



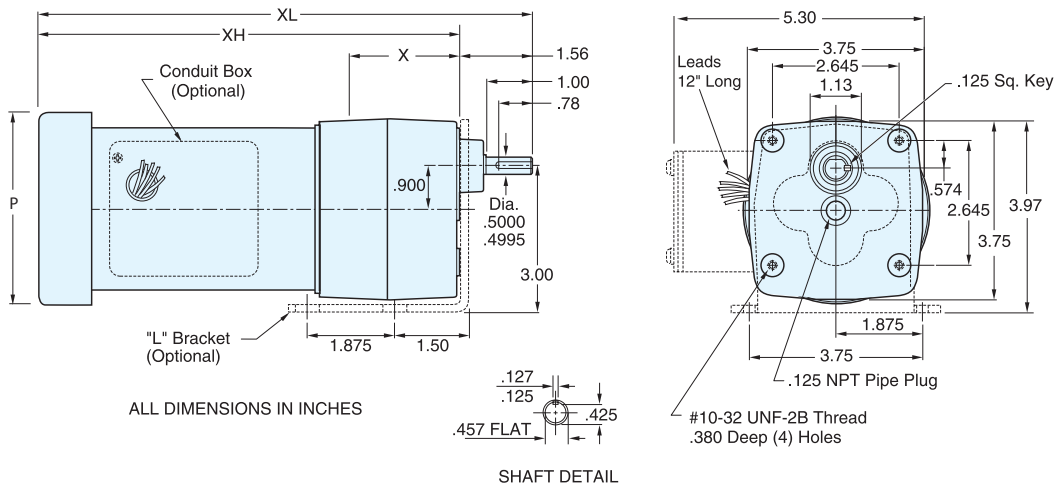
115 Volts - Totally Enclosed - Single Phase

Output RPM	FL. Torque (Lb. In.)	Input HP	Catalog Number	Stock	List Price	Model Number	Gear-motor Type & Frame	Ratio to 1	FL. Amps 115	Over-hung Load (lb.)	Dimensions (inches)				Caacitor Mfd. 240 VAC	♥Notes
											P	X	XL	XH		
2	100	1/150	M1125050.00	✓	658	M31P17NZ1	PZ5-31	900	0.4	155	3.07	3.23	8.71	7.15	3	S, US, 12
9	100	1/15	M1125127.00	✓	658	M31P17FZ1	PZ4-31	180	0.9	155	3.88	3.23	10.42	8.86	10	S, US, 13
19	100	1/15	M1125128.00	✓	658	M31P17FZ2	PZ4-31	90	0.9	155	3.88	3.23	10.42	8.86	10	S, US, 13
28	100	1/15	M1125129.00	✓	658	M31P17FZ3	PZ3-31	60	0.9	155	3.88	2.43	9.62	8.06	10	S, US, 13
57	56	1/15	M1125130.00	✓	633	M31P17FZ4	PZ3-31	30	0.9	171	3.88	2.43	9.62	8.06	10	S, US, 13
94	36	1/15	M1125131.00	✓	633	M31P17FZ5	PZ3-31	18	0.9	171	3.88	2.43	9.62	8.06	10	S, US, 13
142	24	1/15	M1125132.00	✓	613	M31P17FZ6	PZ2-31	12	0.9	180	3.88	2.13	9.32	7.76	10	S, US, 13
283	12	1/15	M1125133.00	✓	613	M31P17FZ7	PZ2-31	6	0.9	180	3.88	2.13	9.32	7.76	10	S, US, 13

Note 12 - TENV
Note 13 - TEFC

♥ Note listing on inside back flap
Specifications are subject to change without notice

PZ SERIES - AC



Single Phase - 115/230 Volts - Totally Enclosed - P240 Series

Out-put RPM	FL. Torque (Lb. In.)	Input HP	Catalog Number	Stock	List Price	Model Number	Gear-motor Type & Frame	Ratio to 1	FL. Amps @ 115V	Over-hung Load (lb.)	Dimensions (inches)				Caacitor Mfd. 240 VAC	♥Notes
											P	X	XL	XH		
8	345	1/15	M1145029.00	√	985	M38P17NZ26	P243-38D	216	1.0	491	3.85	3.5	10.46	8.96	75	S, US, 12
15	250	1/15	M1145023.00	√	985	M38P17NZ20	P243-38D	114	1.0	407	3.85	3.5	10.46	8.96	75	S, US, 12
16	391	1/6	M1145030.00	√	1,068	M38P17FZ9	P243-38F	103	2.1	399	4.43	3.5	12.13	10.63	15	S, US, 13
30	135	1/15	M1145024.00	√	894	M38P17NZ21	P242-38D	52	1.0	330	3.85	3.5	10.46	8.96	75	S, US, 12
30	295	1/6	M1145031.00	√	1,068	M38P17FZ10	P243-38F	58	2.1	330	4.43	3.5	12.13	10.63	15	S, US, 13
40	219	1/6	M1145032.00	√	1,068	M38P17FZ11	P243-38F	43	2.1	303	4.43	3.5	12.13	10.63	15	S, US, 13
45	92	1/15	M1145025.00	C/A	894	M38P17NZ22	P242-38D	35	1.0	292	3.85	3.5	10.46	8.96	75	S, US, 12
60	157	1/6	M1145033.00	√	980	M38P17FZ12	P242-38D	29	2.0	268	4.43	3.5	12.13	10.63	15	S, US, 13
70	61	1/15	M1145026.00	√	894	M38P17NZ23	P242-38D	23	1.0	256	3.85	3.5	10.46	8.96	75	S, US, 12
90	103	1/6	M1145034.00	√	980	M38P17FZ13	P242-38D	19	2.1	237	4.43	3.5	12.13	10.63	15	S, US, 13
97	43	1/15	M1145027.00	√	894	M38P17NZ24	P242-38D	16.5	1.0	232	3.85	3.5	10.46	8.96	75	S, US, 12
139	30	1/15	M1145028.00	√	894	M38P17NZ25	P242-38D	11.5	1.0	208	3.85	3.5	10.46	8.96	75	S, US, 12
156	60	1/6	M1145035.00	√	980	M38P17FZ14	P242-38D	10.6	2.0	201	4.43	3.5	12.13	10.63	15	S, US, 13

C/A - Check Availability
 Note 12 - TENV
 Note 13 - TEFC

♥ Note listing on inside back flap
 Specifications are subject to change without notice

Gearmotors

P240 Series - SUB-FHP - AC Gearmotors

IP55 AC Washguard® Gearmotors



General Specifications - SCR Rated Gearmotors:

Single and three-phase washdown duty gearmotors rated for continuous duty applications. Permanent split designed single-phase motors include capacitor in conduit box. Motors are designed for extended life in applications requiring regular washdown or otherwise wet environments. Placing the gearmotor with the motor below the gearbox should be avoided to prevent leakage of lubricant into the motor should the motor shaft seal fail.



Features:

- Shaft material coated with Teflon®/Ceramic plating
- White epoxy painted motors
- O-rings and gaskets used for sealing
- Hardened worm-type gearing used
- Interior components protected against corrosion
- Ball bearings used in gear housing
- Sealed output shafts
- Output shafts have needle bearings for high load capacities
- UL listed and CSA certified

115/230 Volts - 1 & 3-Phase - TEFC - P240 Series

Out-put RPM	FL. Torque (Lb.In.)	Input HP	Catalog Number	Stock	List Price	Model Number	Gear-motor Type & Frame	Ratio to 1	Voltage	FL. Amps @ 230 V	Phase	Over-hung Load (Lbs.)	♥Notes
16	391	1/6	M1145138.00	√	1,121	M38P17FZ39	P240	103	115/230	1.05	1	399	S, US
40	219	1/6	M1145139.00	√	1,172	M38P17FZ40	P240	43	115/230	1.00	1	303	S, US
156	60	1/6	M1145140.00	C/A	1,029	M38P17FZ41	P240	10.6	115/230	1.00	1	201	S, US
16	391	1/6	M1145144.00	√	1,172	M38T17FZ20	P240	103	230	0.72	3	237	S, US
30	295	1/6	M1145145.00	√	1,172	M38T17FZ21	P240	58	230	0.72	3	237	S, US

♥ Note listing on inside back flap
 Specifications are subject to change without notice



Single Phase - 115/230 Volts - Totally Enclosed - PE350 Series - Parallel Shaft

Output RPM	FL Torque (Lb.In.)	Input HP	Catalog Number	Stock	List Price	Model Number	Gearmotor Type & Frame	Ratio to 1	FL Amps @ 115V	Overhung Load (lb.)	Dimensions (inches)		Capacitor Mfd. 240 VAC	♥Notes
											XL	XH		
5	310	1/12	096000.00	√	936	42P17NZ1	PE353-42	336	1.3	565	11.36	9.36	10	S, US, 12
9	341	1/12	096001.00	√	936	42P17NZ2	PE353-42	180	1.3	491	11.36	9.36	10	S, US, 12
14	330	1/12	096002.00	√	901	42P17NZ3	PE353-42	124	1.3	459	11.36	9.36	10	S, US, 12
19	250	1/12	096003.00	√	936	42P17NZ4	PE353-42	91	1.3	374	11.36	9.36	10	S, US, 12
29	270	1/6	096004.00	√	985	42P17FZ1	PE353-42	58	3.2	327	13.32	11.32	15	S, US, 13
34	250	1/6	096005.00	√	985	42P17FZ2	PE353-42	50	3.2	330	13.32	11.32	15	S, US, 13
40	180	1/6	096006.00	C/A	985	42P17FZ3	PE353-42	43	3.2	303	13.32	11.32	15	S, US, 13
59	135	1/6	096007.00	√	928	42P17FZ4	PE352-42	29	3.2	267	13.32	11.32	15	S, US, 13
75	90	1/6	096008.00	√	928	42P17FZ5	PE352-42	23	3.2	256	13.32	11.32	15	S, US, 13
113	68	1/6	096009.00	√	928	42P17FZ6	PE352-42	15	3.2	222	13.32	11.32	15	S, US, 13
160	45	1/6	096010.00	C/A	928	42P17FZ7	PE352-42	10	3.2	196	13.32	11.32	15	S, US, 13
340	25	1/6	096011.00	√	928	42P17FZ8	PE352-42	5	3.2	190	13.32	11.32	15	S, US, 13
Hi-Torque Single Phase PE350 Gearmotors With Capacitor Start Motors														
58	320	1/3	096049.00	√	1,089	42C17FZ4	PE353-42	30	7.2	300	14.56	12.56	...	S, US, 13
85	218	1/3	096050.00	√	1,023	42C17FZ5	PE353-42	20	7.2	300	14.56	12.56	...	S, US, 13
173	109	1/3	096051.00	√	1,023	42C17FZ6	PE353-42	10	7.2	300	14.56	12.56	...	S, US, 13
345	55	1/3	096052.00	C/A	1,070	42C17FZ7	PE353-42	5	7.2	300	14.56	12.56	...	S, US, 13

♥ Note listing on inside back flap
 Specifications are subject to change without notice
 C/A - Check Availability
 Note 12 - TENV
 Note 13 - TEFC

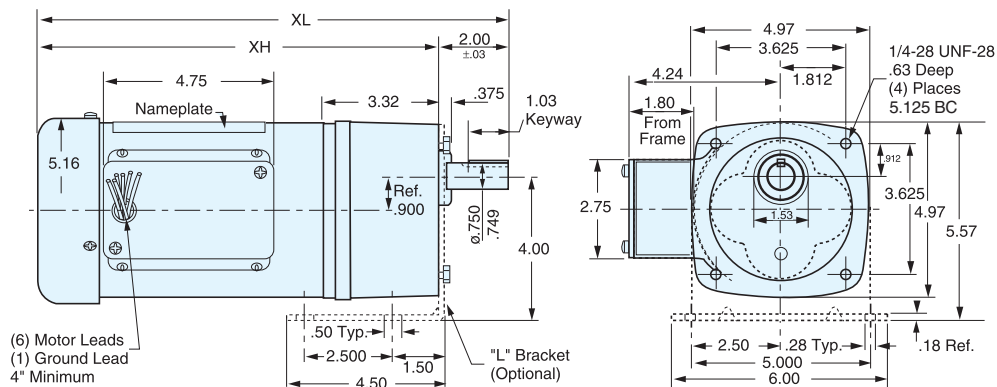


Three Phase - 230/460 Volt - PE350 Series - Parallel Shaft - TEFC

Output RPM	FL Torque (Lb.In.)	Input HP	Catalog Number	Stock	List Price	Model Number	Gearmotor Type & Frame	Ratio to 1	FL Amps @ 230V	Overhung Load (lb.)	Dimensions (inches)		♥Notes
											XL	XH	
58	320	1/3	096013.00	√	1,081	42T17FZ14	PE353-42	30	1.6	300	13.81	11.81	S, US, 13
85	218	1/3	096014.00	√	1,015	42T17FZ15	PE352-42	20	1.6	300	13.81	11.81	S, US, 13
173	109	1/3	096015.00	√	1,015	42T17FZ16	PE352-42	10	1.6	300	13.81	11.81	S, US, 13
345	55	1/3	096016.00	√	1,015	42T17FZ17	PE352-42	5	1.6	300	13.81	11.81	S, US, 13

♥ Note listing on inside back flap
 Specifications are subject to change without notice

PE350 THREE PHASE



Gearmotors

P1100 Series - AC Gearmotors - Parallel Shaft

Output Torque - 70-1105 In-Lbs

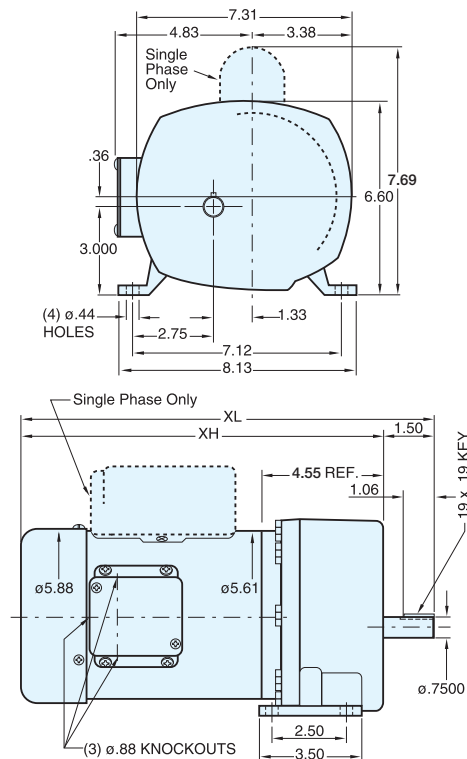


Features:

- Capacitor start designs rated for 115/230 VAC 60 HZ input
- Rugged die cast aluminum gear housing for maximum gear and bearing support
- Precision machined gearing, hardened for maximum load capability
- All gearing designed and rated to AGMA class 9 standards, and to withstand momentary shock overload of 200%
- Oversized output bearings for greater overhung load capacity and long life
- High carbon alloy output shaft provides maximum strength and rigidity
- All needle bearing journals are precision ground after heat treating to provide maximum fit and finish
- Heavy duty industrial oil seals keep lubricant in and dirt out
- Gears and bearings are splash lubricated with permanent, heavy duty gear oil
- Conduit box included as standard

Application Notes:

- Placing the gearmotor with the motor below the gearbox should be avoided to prevent leakage of lubricant into the motor should the motor shaft seal fail
- Overhung load capacities shown are at center of output shaft
- **Bison®/Dayton® direct interchange**



Bison is believed to be the trademark or trade name of Bison Gear & engineering Corporation and is not owned or controlled by Regal Beloit Corporation.

Dayton is a trademark or trade name of Dayton Electric Manufacturing and is not owned or controlled by Regal Beloit Corporation.



Single Phase - 115/230 Volt - TEFC - P1100 Series

Output RPM	F.L. Torque (Lb.In.)	Input HP	Catalog Number	Stock	List Price	Model Number	Gearmotor Type & Frame	Ratio to 1	F.L. Amps @ 115V	Overhung Load (lb.)	Dimensions (inches)		♥Notes
											XL	XH	
8	975	1/4	107000.00	√	1,321	4C17FZ24	P1103-48	212	5.4	700	13.42	11.92	S, US
12	1030	1/4	107004.00	√	1,321	4C17FZ28	P1103-48	143	5.4	700	13.42	11.92	S, US
18	800	1/4	107003.00	√	1,321	4C17FZ27	P1103-48	95	5.4	700	13.42	11.92	S, US
26	569	1/4	107002.00	√	1,321	4C17FZ26	P1103-48	66	5.4	650	13.42	11.92	S, US
59	248	1/4	107005.00	√	1,290	4C17FZ29	P1102-48	29	5.4	625	13.42	11.92	S, US
133	114	1/4	107001.00	√	1,290	4C17FZ25	P1102-48	13	5.4	525	13.42	11.92	S, US
18	1089	1/3	107006.00	√	1,335	4C17FZ30	P1103-48	95	6.2	700	13.67	13.17	S, US
26	752	1/3	107012.00	√	1,335	4C17FZ36	P1103-48	66	6.2	650	13.67	13.17	S, US
41	461	1/3	107011.00	√	1,308	4C17FZ35	P1102-48	42	6.2	650	13.67	13.17	S, US
59	330	1/3	107010.00	√	1,308	4C17FZ34	P1102-48	29	6.2	625	13.67	13.17	S, US
91	224	1/3	107009.00	√	1,308	4C17FZ33	P1102-48	19	6.2	575	13.67	13.17	S, US
157	125	1/3	107008.00	√	1,308	4C17FZ32	P1102-48	11	6.2	500	13.67	13.17	S, US
288	70	1/3	107007.00	√	1,308	4C17FZ31	P1102-48	6	6.2	400	13.67	13.17	S, US
22	1105	1/2	107013.00	√	1,455	4C17FZ37	P1103-48	79	8.8	700	14.17	12.67	S, US
41	700	1/2	107017.00	√	1,427	4T17FZ41	P1102-48	42	8.8	650	14.17	12.67	S, US
59	496	1/2	107016.00	√	1,427	4C17FZ40	P1102-48	29	8.8	625	14.17	12.67	S, US
91	336	1/2	107015.00	√	1,427	4C17FZ39	P1102-48	19	8.8	575	14.17	12.67	S, US
133	229	1/2	107014.00	√	1,427	4C17FZ38	P1102-48	13	8.8	525	14.17	12.67	S, US

♥ Note listing on inside back flap
Specifications are subject to change without notice



Three Phase - 230/460 Volt - TEFC - P1100 Series

Output RPM	F.L. Torque (Lb.In.)	Input HP	Catalog Number	Stock	List Price	Model Number	Gearmotor Type & Frame	Ratio to 1	F.L. Amps @ 230V	Overhung Load (lb.)	Dimensions (inches)		♥Notes
											XL	XH	
18	1089	1/3	107025.00	√	1,421	4T17FZ47	P1103-48	95	1.6	700	12.92	11.42	S, US
26	752	1/3	107026.00	√	1,421	4T17FZ53	P1103-48	66	1.6	650	12.92	11.42	S, US
41	461	1/3	107027.00	√	1,389	4T17FZ54	P1102-48	42	1.6	650	12.92	11.42	S, US
59	330	1/3	107028.00	√	1,389	4T17FZ55	P1102-48	29	1.6	625	12.92	11.42	S, US
91	224	1/3	107029.00	√	1,389	4T17FZ56	P1102-48	19	1.6	575	12.92	11.42	S, US
157	125	1/3	107030.00	√	1,389	4T17FZ57	P1102-48	11	1.6	500	12.92	11.42	S, US
288	70	1/3	107031.00	√	1,389	4T17FZ58	P1102-48	6	1.6	400	12.92	11.42	S, US
22	1105	1/2	107032.00	√	1,499	4T17FZ48	P1103-48	79	2.0	700	13.42	11.92	S, US
41	700	1/2	107033.00	√	1,477	4T17FZ49	P1102-48	42	2.0	650	13.42	11.92	S, US
59	496	1/2	107034.00	√	1,477	4T17FZ50	P1102-48	29	2.0	625	13.42	11.92	S, US
91	336	1/2	107035.00	√	1,477	4T17FZ51	P1102-48	19	2.0	575	13.42	11.92	S, US
133	229	1/2	107036.00	√	1,477	4T17FZ52	P1102-48	13	2.0	500	13.42	11.92	S, US
288	100	1/2	107037.00	√	1,477	4T17FZ46	P1102-48	6	2.0	400	13.42	11.92	S, US

♥ Note listing on inside back flap
Specifications are subject to change without notice



Gearmotors

Right-Angle - AC Gearmotors

Output Torque - 14-113 In-Lbs



Features:

- Permanent split capacitor design rated for 115/230VAC 60/50 HZ input
- Worm-type right-angle gearing features hardened, steel worm with bronze worm wheel for long life and quiet operation
- Precision machined aluminum gear housing
- Lubrication is permanent with an oil bath
- Gearbox has all ball bearings
- Output shaft is field interchangeable from left hand to right hand style by reassembly
- Double output shaft available as a factory option
- Optional conduit box available, see page 358
- Optional gearbox base available (10 Series only), see page 358

Application Notes:

- Placing a motor below the gearmotor should be avoided to prevent leakage of lubricant into the motor should the motor shaft seal fail. For other mountings, the breather plug must be reoriented by using a 90 deg 1/8" NPT taper pipe elbow. Regal does not offer this elbow. It is not recommended to place the gearmotor with the gearbox shaft up.
- Placing the gearmotor with the motor below the gearbox should be avoided to prevent leakage of lubricant into the motor should the motor shaft seal fail
- Overhung load capacities shown are at center of output shaft
- Continuous duty run capacitor supplied as standard
- **Bodine®/Dayton® direct interchange**

Single Phase - 115/230 Volt - Totally Enclosed - Right-Angle

Out-put RPM	FL. Torque (Lb. In.)	Input HP	Catalog Number	Stock	List Price	Model Number	Gear-motor Type & Frame	Ratio to 1	FL. Amps @115V	Over-hung Load (lb.)	Dimensions (inches)				Capacitor Mfd. 240 VAC	♥Notes
											P	X	XL	XH		
28	37	1/15	M1125080.00	√	812	M31P17NZ19	10F60-31C	60	0.9	185	3.07	3.63	8.94	5.31	10.0□	S, US, 12
43	34	1/15	M1125081.00	√	812	M31P17NZ18	10F40-31C	40	0.9	185	3.07	3.63	8.94	5.31	10.0□	S, US, 12
58	40	1/15	M1125082.00	C/A	812	M31P17NZ17	10F30-31C	30	0.9	185	3.07	3.63	8.94	5.31	10.0□	S, US, 12
85	24	1/15	M1125083.00	√	812	M31P17NZ16	10F20-31C	20	0.9	185	3.07	3.63	8.94	5.31	10.0□	S, US, 12
173	14	1/15	M1125084.00	√	812	M31P17NZ15	10F10-31C	10	0.9	185	3.07	3.63	8.94	5.31	10.0□	S, US, 12
29	110	1/6	M1145037.00	√	1,101	M38P17FZ16	13F60-38F	60	2.0	235	3.85	4.5	12.31	7.81	15.0¢	S, US, 13
43	113	1/6	M1145038.00	√	1,101	M38P17FZ17	13F40-38F	40	2.0	235	3.85	4.5	12.31	7.81	15.0¢	S, US, 13
57	95	1/6	M1145082.00	C/A	1,151	M38P17FZ23	13F30-38F	30	2.0	235	3.85	4.5	12.31	7.81	15.0¢	S, US, 13
83	75	1/6	M1145039.00	√	1,101	M38P17FZ18	13F20-38F	20	2.0	235	3.85	4.5	12.31	7.81	15.0¢	S, US, 13
170	43	1/6	M1145040.00	√	1,101	M38P17FZ19	13F10-38F	10	2.0	235	3.85	4.5	12.31	7.81	15.0¢	S, US, 13
340	23	1/6	M1145041.00	√	1,101	M38P17FZ20	13F05-38F	5	2.0	235	3.85	4.5	12.31	7.81	15.0¢	S, US, 13

□ 250 VAC

¢ 300 VAC

C/A - Check Availability

Note 12 - TENV

Note 13 - TEFC

♥ Note listing on inside back flap
Specifications are subject to change without notice

Bodine is believed to be the trademark or trade name of Bodine Electric Corporation and is not owned or controlled by Regal Beloit Corporation.

Dayton is a trademark or trade name of Dayton Electric Manufacturing and is not owned or controlled by Regal Beloit Corporation.





Gearmotors

IP55 AC Washguard® Gearmotors Right-Angle - Single & Three Phase

General Specifications:

Single and three-phase washdown duty gearmotors rated for continuous duty applications. Permanent split designed single-phase motors include capacitor in conduit box. Motors are designed for extended life in applications requiring regular washdown or otherwise wet environments. It is not recommended to place the gearmotor with the gearbox shaft up.

Features:

- Shaft material is coated with Teflon®/Ceramic plating
- White epoxy painted motors
- O-rings and gaskets used for sealing
- Hardened worm-type gearing used
- Interior components protected against corrosion
- Ball bearings used in gear housing
- Sealed output shafts
- Output shafts have needle bearings for high load capacities
- UL listed and CSA certified

Single & Three Phase - TEFC - Right-Angle

Output RPM	FL. Torque (Lb.in.)	Input HP	Catalog Number	Stock	List Price	Model Number	Ratio to 1	Voltage	FL. Amps @ 230V	Phase	Over-hung Load (Lbs)
43	113	1/6	M1145141.00	√	1,463	M38P17FZ42	40	115/230	1.0	1	235
83	75	1/6	M1145142.00	√	1,463	M38P17FZ43	20	115/230	1.0	1	235
340	23	1/6	M1145143.00	√	1,463	M38P17FZ44	5	115/230	1.0	1	235
29	220	3/8	M1145146.00	√	1,463	M38T17FZ22	60	230	1.3	3	235
172	105	3/8	M1145147.00	√	1,463	M38T17FZ23	10	230	1.3	3	235

Specifications are subject to change without notice

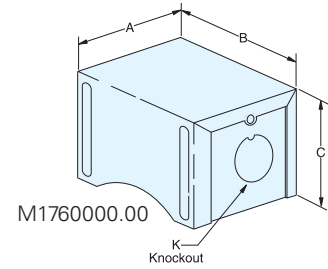


Gearmotors

SUB-FHP Accessories

Sub-FHP Gearmotor Conduit Boxes

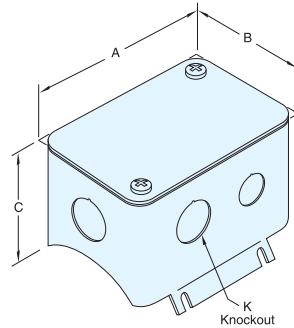
Optional steel conduit or junction boxes are available. The boxes are painted and mount in holes using screws provided with all stock gearmotors.



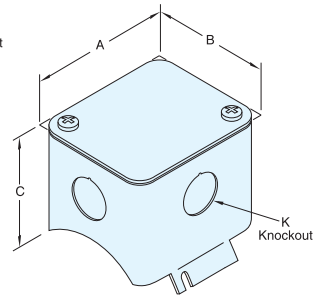
Catalog Number	Frame	List Price	Dimensions (inches)			
			A	B	C	K
M1760000.00*	25	51	2.09	2.45	2.23	0.875
M1760021.00*	30/31	51	3.13	2.63	2.28	0.875
M1760007.00	34	51	3.13	2.63	2.28	0.875
M1760012.00	38	53	4.75	2.75	2	1.125
175893.00	42	53	4.75	2.75	2	1.125

Note: * For any gearmotor catalog number beginning with M1115XXX, must clarify from gearmotor type and frame columns as listed on the respective pages for that gearmotor type. For example, if gearmotor type and frame lists P303-30E, then use the 30 frame conduit box kit M1760021.00. If gearmotor type and frame lists 10F60-25, then use conduit box kit M1760000.00.

Specifications are subject to change without notice

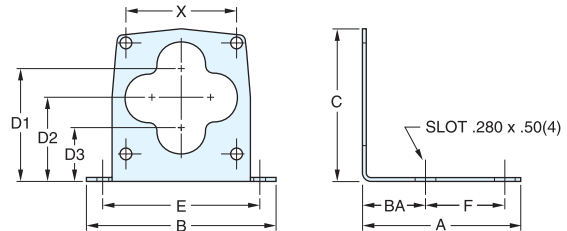


M1760007.00 & M1760021.00



Sub-FHP Gearmotor "L" Mounting Bracket

Optional "L" brackets can be used to mount parallel shaft type PZ or PE350 gearmotors of steel construction. They are painted and include screws for mounting to the motor, but not the application.



Catalog Number	Frame	List Price	Dimensions (inches)									
			A	B	C	1D1	1D2	1D3	X	BA	F	E
M1760003.00	PZ Gearmotors	65	3.75	4.5	3.94	3	2.3	1.5	2.6	1.5	1.88	3.75
M1760011.00**	PE350 Gearmotors	78	4.50	6	5.52	4	3.1	2.2	3.6	1.5	2.50	5.00
M1760029.00Δ	PE350 Gearmotors	82	4.50	6	5.52	4	3.1	2.2	3.6	1.5	2.50	5.00

*Maximum radial load no greater than 50 lbs. This bracket can also be used on DC motors in the 34 frame having the style C mounting.

**Maximum radial load no greater than 200 lbs.

Δ Washguard PE350 LBracket

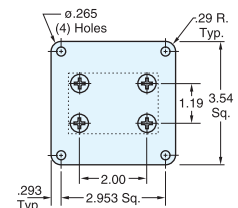
Specifications are subject to change without notice

Sub-FHP Gearmotor Right-Angle Base Kit

This optional base kit can be used with the 10 Series right-angle gearmotors. (Includes screws for mounting to gearbox, but not the application.)

Catalog Number	List Price
M1760006.00	71

Specifications are subject to change without notice



For SUB-FHP Right-Angle AC Gearmotors

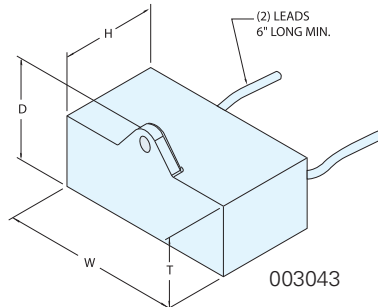
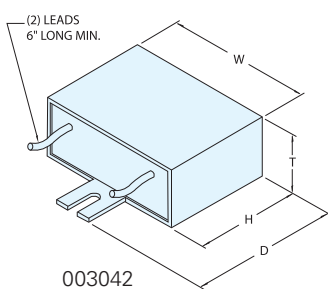
MFD Rating	Voltage Rating	Catalog Number	List Price	Dimensions (inches)			
				W	H	T	D
10	250	003043.05	59	1.89	1.14	0.75	1.14
15	300	003042.05	66	2.28	1.61	1.14	2.48

For SUB-FHP P240 & PE350 AC Gearmotors

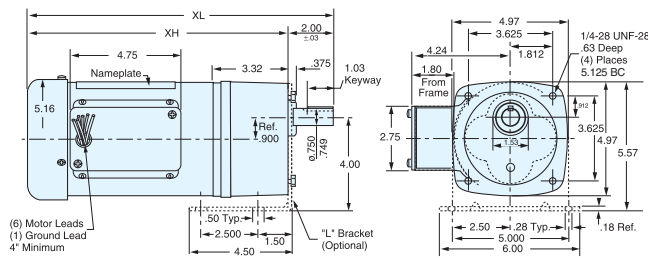
Gearmotor Type	MFD Rating	Voltage Rating	Catalog Number	List Price	Dimensions (inches)			
					W	H	T	D
P240	7 1/2	250	003042.02	66	1.89	1.14	0.75	2.01
PE350	10	250	003042.06	59	1.89	1.24	0.89	2.11
P240	15	300	003042.05	66	2.28	1.61	1.14	2.48
PE350	15	250	003042.04	77	2.28	1.46	0.93	2.33

For SUB-FHP AC PZ Series Gearmotors

MFD Rating	Voltage Rating	Catalog Number	List Price	Dimensions (inches)			
				W	H	T	D
3	250	003043.01	66	1.22	0.93	0.57	0.97
10	250	003043.05	59	1.89	1.14	0.75	1.14



PE350 THREE PHASE

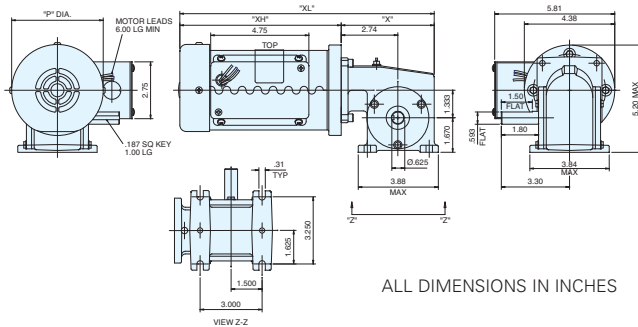


Three Phase - 230-460 Volt - TEFC - PE350 Series

Output RPM	FL. Torque (Lb. In.)	Input HP	Catalog Number	Stock	List Price	Model Number	Gear-motor Type & Frame	Ratio to 1	FL. Amps @230V	Over-hung Load (lb.)	Dimensions (inches)				♥Notes
											P	X	XL	XH	
9	341	1/6	096065.00	√	861	C42T17FZ34	PE353-42	180	1.0	327	5.16	3.32	12.57	10.57	S, US
29	300	1/4	096066.00	√	868	C42T17FZ29	PE353-42	58	1.2	327	5.16	3.32	13.07	11.07	S, US
58	244	1/4	096067.00	√	868	C42T17FZ30	PE353-42	30	1.2	327	5.16	3.32	13.07	11.07	S, US
85	165	1/4	096068.00	√	853	C42T17FZ31	PE352-42	20	1.2	327	5.16	3.32	13.07	11.07	S, US
173	92	1/4	096069.00	√	853	C42T17FZ32	PE352-42	10	1.2	327	5.16	3.32	13.07	11.07	S, US
325	50	1/4	096070.00	√	853	C42T17FZ33	PE352-42	5	1.2	327	5.16	3.32	13.07	11.07	S, US

♥ Note listing on inside back flap
Specifications are subject to change without notice

13 SERIES – AC



ALL DIMENSIONS IN INCHES

Three Phase - 230 Volt - TEFC - Right-Angle Series

Output RPM	FL. Torque (Lb. In.)	Input HP	Catalog Number	Stock	List Price	Model Number	Gear-motor Type & Frame	Ratio to 1	FL. Amps @230V	Over-hung Load (lb.)	Dimensions (inches)				♥Notes
											P	X	XL	XH	
29	238	3/8	M1145127.00	√	1,042	M38T17FZ7	13F60-38	60	1.3	235	4.43	4.5	12.31	7.81	S, US
43	228	3/8	M1145128.00	√	1,042	M38T17FZ8	13F40-38	40	1.3	235	4.43	4.5	12.31	7.81	S, US
86	138	3/8	M1145129.00	√	1,042	M38T17FZ9	13F20-38	20	1.3	235	4.43	4.5	12.31	7.81	S, US
172	105	3/8	M1145130.00	√	1,042	M38T17FZ10	13F10-38	10	1.3	235	4.43	4.5	12.31	7.81	S, US
345	54	3/8	M1145131.00	√	1,042	M38T17FZ11	13F05-38	5	1.3	235	4.43	4.5	12.31	7.81	S, US

♥ Note listing on inside back flap
Specifications are subject to change without notice

AC / DC Controls

Quick Reference



DC Adjustable
Speed Drives

Speedmaster® DC drives for use with SCR rated motors. Models range from sub-FHP through 3 HP. NEMA® 1, NEMA 4/12 and NEMA 4X enclosures available. Low voltage controls available through 120 amps @12/24 V and 100 amps @ 36/48 V.



SM Series
Sub-Micro
AC Inverters

Speedmaster adjustable speed drives for simpler applications not requiring the advanced features of the SM-Plus Series. Models range from 1/3 through 25 HP. IP20 enclosure — chassis mount.

Series to be discontinued once inventory is depleted



SM2/SM4
Series Flux
Vector
Sub-Micro
AC Inverters

Speedmaster sensorless vector drives with “big drive” features and ultra-compact size. SM2 - 1/2 through 25 HP. IP31 enclosure — NEMA 1 Type. SM4 - 1/2 through 10 HP IP65 NEMA 4.



Micro Series
NEMA Enclosed
AC Inverters

Speedmaster adjustable speed drives with plain-English programming and read-out. Models range from 1/4 through 150 HP. NEMA 1 enclosure.



Micro Series
Washguard®
AC Inverters

Speedmaster adjustable speed drives in NEMA 4/12 and NEMA 4X enclosures. Plain-English programming and read-out. Models range from 1/4 through 125 HP.



Platinum e™
Series
AC Inverters

Platinum e™ Series Drives are for use with an AC induction motor or a PMAC motor. IP20 enclosure protection. 1/3 HP through 30 HP.



LEESON® Speedmaster® inverters are feature rich controls offering great process control and operating efficiency for your AC Motors. With our broad family of controls, we have the solution for your application needs at a competitive price.



Basic Features	Micro Series	SM-Basic	SM-Plus	SM2 Vector	SM4 Vector	Platinum VSD	Platinum e™ VSD - Plus
Enclosure Type	IP31 & IP65/54	IP20	IP20	IP31	IP65	IP21	IP21
Enclosure Material	Steel	Plastic	Plastic	Plastic	Plastic	Plastic	Plastic
Number Pre-set Speeds	4	7	7	8	8	16	16
Washdown Duty	Yes	No	No	No	Yes	No	No
FWD & REV	Yes	Yes	Yes	Yes	Yes	Yes	Yes
Password Protected	Yes	Yes	Yes	Yes	Yes	Yes	Yes
Dynamic Brake Kits	Yes	Yes	Yes	No	No	No	Yes
Relays	Yes	Yes	Yes	Yes	Yes	Yes	Yes
EPM Programmable	No	Yes	Yes	Yes	Yes	Yes	Yes
Open Loop Vector	No	No	No	Yes	Yes	Yes	Yes
Closed Loop Vector	No	No	No	No	No	No	Yes
PMAC Motor Control	No	No	No	No	No	Yes	Yes
PID Software	Yes	No	No	Yes	Yes	Yes	No
Remote Keypads	Yes	Yes	Yes	Yes	Yes	Yes	Yes
Slip Compensation	Yes	Yes	Yes	Yes	Yes	Yes	Yes
Speed Reference Signals	Yes	Yes	Yes	Yes	Yes	Yes	Yes
Display - Words or Codes	Words	3 - digit	3 - digit	4 - digit	4 - digit	Words & Codes	Words & Codes
Adjustable Carrier Frequency	2.5 - 14 kHz	4 - 10 kHz	4 - 10 kHz	4 - 10 kHz	4 - 10 kHz	2 - 16 kHz	2 - 16 kHz
DC Braking	Yes	Yes	Yes	Yes	Yes	Yes	Yes
Fault History	Yes	Yes	Yes	Yes	Yes	Yes	Yes
Max. HP @ 460 Volts	150	15	30	60	30	3	30
Max. HP @ 230 Volts	60	15	20	20	20	3	3
1 Phase Input / 3 Phase Output	Yes	Yes	Yes	Yes	Yes	Yes	Yes
Output Frequency	120	240 Hz	240 Hz	500 Hz	500 Hz	599 Hz	599 Hz

AC / DC Controls

DC Adjustable Speed Drives

SCR Thyristor Controls



LEESON® Speedmaster® DC Control Information

PWM and SCR Controls

General Specifications:

- General purpose for permanent magnet or shunt wound DC motors
- NEMA® 4X and 4/12 suitable for washdown applications
- Dual voltage capable on most designs – see HP range
- 115 / 230 volt single-phase input voltage – DC 90 volt or 180 volt output
- Adjustable minimum and maximum speed
- Speed pot included on chassis controls
- Adjustable IR compensation
- Heat sinks required as noted
- PWM controls provide quieter operation, lower motor temperature and greater motor overload capacity

Regenerative Controls

General Specifications:

- Four quadrant controls for precise motion control
- NEMA 4X or chassis style
- Motoring and braking torque regulation ¼ HP through 2 HP

For NEMA Frame Motors & Gearmotors

SCR Controls - Enclosed - Single Phase Input 50/60 Hz

Description	Catalog Number	List Price	Output Amps	HP Range		App. Wgt. (lbs.)
				115V	230V	
NEMA 1 General Purpose						
—Non-Reversing	174307.00	516	10	1/8 to 1 Δ	1/4 to 2 Δ	5
—Reversing with dynamic braking	174308.00	705	10	1/8 to 1 Δ	1/4 to 2 Δ	5
—Heat Sink Δ	174316.00	115	—	—	—	1
NEMA 4X Washdown — Dust-Tight						
—Non-Reversing, Plastic Enclosure	174102.00	702	10	1/8 to 1	1/4 to 2	6
—Non-Reversing, Plastic Enclosure with Signal Follower	174103.00	1,022	10	1/8 to 1	1/4 to 2	7
—Reversing, Plastic Enclosure*	174107.00	953	10	1/8 to 1	1/4 to 2	7
NEMA 4						
—Non-Reversing 3HP	174709.00	1,349	15	—	3	8

See footnotes on page 365

Specifications are subject to change without notice



LEESON® Speedmaster® DC Control Information

SCR Controls - Open Chassis

Description	Catalogue Number	List Price	Output Amps	HP Range		App. Wgt. (lbs.)
				115V	230V	
Chassis with Speed Pot-Non Reversing	174311.00	286	10	1/8 to 1 ■	1/4 to 2 ■	1
Chassis Heat Sink ■	174314.00	85	—	—	—	1

*Has field supply for shunt wound motors.
 Specifications are subject to change without notice.

Regenerative SCR Drives - Four Quadrant - Full Wave

Description	Catalogue Number	List Price	Output Amps	HP Range		App. Wgt. (lbs.)
				115V	230V	
NEMA 4X Washdown ▲	175720.00	1,472	10	1/4 to 1 ▼	1/2 to 2 ▼	8
Open Chassis with Speed Pot ▲	175721.00	950	10	1/4 to 1 ▼	1/2 to 2 ▼	2
Chassis Heat Sink ▼	175722.00	165	—	—	—	2

Specifications are subject to change without notice.

For Subfractional HP Motors & Gearmotors
PWM Controls - Enclosed - Single Phase Input 50/60 Hz

Description	Catalogue Number	List Price	Output Amps	HP Range		App. Wgt. (lbs.)
				115V	230V	
NEMA 1 General Purpose						
—SCR Non-Reversing	M1740005.00	495	3	1/40 to 1/8	1/40 to 1/4	5
—SCR Reversing With Dynamic Braking	M1740006.00	668	3	1/40 to 1/8	1/40 to 1/4	5
—PWM Non-Reversing	M1740008.00	430	3	1/40 to 1/8	1/40 to 1/4	2

Specifications are subject to change without notice.



PWM & SCR Controls - Open Chassis

Description	Catalogue Number	List Price	Output Amps	HP Range		App. Wgt. (lbs.)
				115V	230V	
Open Chassis SCR Type						
—Chassis with Speed Pot-Non Reversing	M1740007.00	274	1.5	1/40 to 1/8	1/40 to 1/4	1
Open Chassis PWM Type						
—Chassis with Speed Pot-Non Reversing	M1740009.00	320	2	1/40 to 1/8	—	1

- * Drive does not have dynamic braking. Motor shaft must be at zero speed before reversing.
- △ Heat sink #174316 is required for NEMA 1 type 3/4 and 1HP 115V and 1 1/2 and 2HP 230V when the amp draw of the motor exceeds 5 amps.
- Chassis Heat Sink #HSK-0001 required for 3/4 and 1HP 115V and 1-1/2 and 2HP 230V when the amp draw of the motor exceeds 5 amps.
- ▼ Chassis Heat sink #HSK-0004 required for 1HP and above when the amp draw of the motor exceeds 5 amps.
- ▲ Regenerative drives are reversible and have regenerative braking.
 Specifications are subject to change without notice.



AC / DC Controls

DC Adjustable Speed Drives

SCR - 4 Quadrant - Chassis - Regenerative Controls

Features:

- Industry standard footprint - Allows for replacing competitive drives
- Microprocessor-based design - Allows for customer programming
- Fully regenerative - 4-Quadrant allows for quick braking
- Multiple operation modes - speed, torque, cycling and positioning
- 3-Wire / Stopping modes - Inhibit (braking) and Enable (coasting) can be used for frequent starting and stopping

Specifications:

- AC Line Voltage: 115 / 230 VAC, $\pm 10\%$, 50/60 Hz, 1 \emptyset
- Field Voltage with 115 VAC Line (230 VAC Line):
50/100 (100/200) VDC
- Maximum Field Amperage: 0.74 Amps
- Acceleration Time Range: 0.1 - 15 seconds
- Deceleration Time Range: 0.1 - 15 seconds
- Analog Signal Range: 0 \pm 10 VDC, 4 - 20 mA
- Input Impedance (COM to SIG1, SIG2): >100K Ω
- Form Factor: 1.37 at base speed
- Tachogenerator Feedback Range: 0 to 7 - 50 VDC / 1000 RPM
- Load Regulation:
Armature Feedback: 1.0% of base speed or better
Tach Feedback: 0.1% of base speed or better
- Speed Range
- Armature Feedback: 50:1
- Tach Feedback: 60:1
- Ambient Temperature Range: 10°C - 50°C

Catalog Number	Enclosure	List Price	Maximum Current (ADC)	Input Voltage (VDC)	Output Voltage (VDC)	HP Range	Field / Shunt Supply (VDC)	Braking	Reversing	Isolation
						HP				
174062.00	Chassis	444	1.5	115	0-90	1/50 - 1/8	YES	YES Regenerative	YES Regenerative	YES
				230	0-90	1/50 - 1/8				
					0-180	1/25 - 1/4				
174064.00	Chassis	444	11*	115	0-90	1/8 - 1	YES	YES Regenerative	YES Regenerative	YES
				230	0-90	1/8 - 1				
					0-180	1/4 - 2				

* Heat sink kit 174314.00 must be used when the continuous output current is above 8 amps.

NEW!

AC / DC Controls DC Adjustable Speed Drives

SCR - 4 Quadrant - Chassis - Regenerative Controls

Features:

- Industry standard footprint - Allows for replacing competitive drives
- Microprocessor-based design - Allows for customer programming
- Fully regenerative - 4-Quadrant allows for quick braking
- Torque mode - Can be used for speed control or torque control
- Stopping modes - Inhibit (braking) can be used for N.O. or N.C. operation
- Can be used for frequent starting and stopping
- Bidirectional (Wigwag) mode - Can be set so that the potentiometer determines both speed and direction

Specifications:

- AC Line Voltage: 115 / 230 VAC, $\pm 10\%$, 50/60 Hz, 1 \emptyset
- Acceleration Time Range: 0.5 - 20 seconds
- Deceleration Time Range: 0.5 - 20 seconds
- Analog Signal Range: 0 \pm 10 VDC
- Input Impedance (COM to SIG1): >100K Ω
- Form Factor: 1.37 at base speed
- Load Regulation: 1.0% of base speed or better
- Speed Range 50:1
- Ambient Temperature Range: 10°C - 50°C

Catalog Number	Enclosure	List Price	Maximum Current (ADC)	Input Voltage (VDC)	Output Voltage (VDC)	HP Range	Field / Shunt Supply (VDC)	Braking	Reversing	Isolation
						HP				
174065.00	Chassis	288	1.5	115	0-90	1/50 - 1/8	NO	YES Regenerative	YES Regenerative	NO
				230	0-90	1/50 - 1/8				
					0-180	1/25 - 1/4				
174066.00	Chassis	288	11*	115	0-90	1/8 - 1	NO	YES Regenerative	YES Regenerative	NO
				230	0-90	1/8 - 1				

* Heat sink kit 174314.00 must be used when the continuous output current is above 8 amps.



Gearmotors

AC / DC Controls

Accessories / Kits

Modes / Factory Options

X-Ref / Index

Tech Information

Warnings/Cautions

AC / DC Controls

DC Adjustable Speed Drives - SCR Controls

15 Series

General Specifications:

- 0-90 / 0-180 volts DC
- Adjustable min. and max. speed
- Adjustable IR compensation
- Fixed acceleration - 5 seconds
- 5K ohm speed potentiometer included
- 25:1 speed range and 1% speed regulation



NEMA 4/12
Non-Reversing



Figure 1

Figure 2

Description	Catalog Number	List Price	Output Amps	HP Range		App. Wgt. (lbs.)
				115V	230V	
NEMA® 4/12 Non-Reversing	174696.00	334	3	1/3	2/3	1
Chassis - Figure 1	174695.00	192	2	1/6	1/6	1
Chassis - Figure 2	174694.00	192	2	1/6	1/6	1

Specifications are subject to change without notice

Low Voltage Adjustable Speed Controllers

General Specifications:

- Chassis type design
- DC input / DC output
- Speed potentiometer shipped loose
- High Efficient designs increase battery life



Features:

- 40:1 speed range
- Holds speed control as battery discharges
- Adjustable min. and max. speeds
- IR compensation
- 200% current limit overload protection
- Inhibit pins provide optional start-stop
- Power on LED indicator

For NEMA Frame Motors & Gearmotors

SCR Controls - Enclosed - Single Phase Input 50/60 Hz

Input Voltage	Catalog Number	List Price	Output Amps	Dimensions (inches)			App. Wgt. (lbs.)
				Length	Width	Height	
12/24	175290.00	618	16	6.90	4.44	2.19	2
12/24	175291.00	753	60	7.78	6.90	3.25	4
36/48	175292.00	753	60	7.78	6.90	3.25	4

Specifications are subject to change without notice



General Specifications:

- Chassis type design
- DC input / DC output
- Speed potentiometer shipped loose
- High efficient designs increase battery life



Features:

- Sleep mode feature
- Accepts switch closure for reversing and braking
- Built-in short circuit protection
- 1.01 Form factor
- Built-in temperature sensor
- On board trim pots for calibration, speed and forward and reverse settings

Four Quadrant Control

Input Voltage	Catalog Number	List Price	Output Amps	Dimensions (inches)			App. Wgt. (lbs.)
				Length	Width	Height	
12/24	174298.00	1,335	120	6.90	5.00	2.50	3
36/48	174299.00	1,335	100	6.90	5.00	2.50	3

Specifications are subject to change without notice

Dual Mode - Dual Speed Controllers

- SCR control designed to run two DC motors at the same time in either independent mode or slave/ master mode
- Open chassis design
- Dual voltage, 115-230 VAC input with jumper
- Selectable 90/180 VDC output
- Jumper selectable speed and torque mode
- Two trim pots each for the minimum speed, maximum speed, IR compensation, current limit and acceleration/deceleration
- Comes standard with two potentiometers



HP	Input Voltage	Output Amps	Output Voltage	Catalog Number	List Price	App. Wgt. (lbs)
1 HP @ 90 VDC	115/230	10*	0-90/0-180	174422.00	444	3
2 HP @ 180 VDC						

* Heat sink 174314.00 is required if one side provides more than 5A or the output on both sides is more than 6.5A. Specifications are subject to change without notice

Control Accessories

Description	Catalog Number	List Price
Inhibit Plug	900282.01	58
Speed Pot (10k/5w pot, washers & nut)	006708.01	74



Specifications are subject to change without notice



AC / DC Controls

FHP™ Series AC Controls

AC Adjustable Speed Drives

General Specifications:

The FHP Series volts/hertz-type AC drives are as simple to set-up and calibrate as an SCR-type DC drive.

Compact chassis design maintains industry standard mounting hole locations.

Features:

Common features for chassis and enclosed units:

- Compact size – (4.30" x 3.70")
- Output voltage on dual voltage models is jumper selectable and has voltage doubler
- Acceleration and deceleration trim pots
- Torque, maximum speed and torque limit trim pots
- Torque 'foldback' feature – Allows up to 200% torque for short periods
- 16kHz switching frequency, with option to change between 4 and 16kHz
- Adjustable torque boost for startup – Up to 200%
- Color-coded on-board LEDs for power, fault and torque limit
- Easy start/stop and direction control with enable and direction terminal connections
- Accepts speed reference from 0-5VDC isolated signal
- Speed potentiometer shipped loose
- Plug-in Process Control Module (PCM) kit available to accept 0-5 VDC, 0-10 VDC or 4-20mA input
- UL listed

Special features of the NEMA® 4X drive:

- NEMA® 4X enclosure
- Jumper selectable DC injection braking or coast to stop
- Brake time and current are adjustable
- Built-in isolation card to accept a speed reference signal
- Min speed adjustment
- Auto or manual restart after power loss

PARAMETER	SPECIFICATIONS FOR ALL FHP MODELS
Max load	150% for 5 minutes
Output frequency	0-120Hz
Output type	6 step PWM
Switching frequency	4-16kHz range* with 16kHz as factory default
Speed regulation and range	±3% of base speed; up to 50:1
On-board adjustable trim pots	Max speed, accel, decel, boost & torque limit
Adjustable maximum frequency range	32-120Hz
Adjustable accel and decel time range	1-12 seconds
Torque boost range	0-200%
LED indicators	Power (green), Fault‡ (red), Torque Limit (yellow)
Instantaneous over-current trip time	3 µsec
Analog reference input and impedance	0-5VDC isolated, ~100Kohm
Plug-in PCM isolator card input	0-5 VDC, 0-10VDC, 4-20mA
Ambient temperature range	0-40°C
Weight (Chassis Models)	1.2 lbs.
Vibration (>50Hz)	0.5G max (20-50Hz); 0.1G max
Approvals	UL, cUL

* Plug-in capacitor kit (175325.00) for field adjustments to less than 16khz

‡ Faults are Over-voltage, Under-voltage and Instantaneous Over Current trip





Single Phase Input / Single or Three Phase Output

HP	Input Voltage	Output Amps	Output Voltage	Catalog Number	List Price	App. Wgt. (lbs)
1/4	115	2.4	115	175320.00	453	3
1/2	230	2.4	230	175321.00	453	3
1/2	115/230	2.4	230	175310.00	575	3
1/2	115	4.0	115	175322.00	563	4
1	230	4.0	230	175323.00	557	4
1	115/230	4.0	230	175311.00	729	4

Specifications are subject to change without notice

FHP Series AC Drives - Accessories

Description	Catalog Number	List Price	App. Wgt. (lbs)
Process Control Module (PCM) Kit*	175324.00	140	2
Carrier Frequency Capacitor Kit	175325.00	34	1

* PCM Kit is for use with chassis drives only.
Specifications are subject to change without notice

AC / DC Controls

FHP Series AC Drives - NEMA 4X (IP65)

- NEMA® 4X enclosure
- Min speed adjustment
- Jumper selectable features:
 - DC injection braking or coast to stop
 - Brake time and current are adjustable
 - Auto or manual restart after power loss
- Built-in isolation card to accept a speed reference signal



Single Phase Input / Three Phase Output

HP	Input Voltage	Output Amps	Output Voltage	Catalog Number	List Price	App. Wgt. (lbs)
1/6 - 1	115/230	4.0	230	175326.00	1,025	7

Specifications are subject to change without notice

AC / DC Controls

SM Series Sub-Micro AC Inverters

IP20 Enclosure Protection

**Discontinued Once
Stock is Depleted**

see page 376-377 for cross to
SM2 Series as a replacement



SM SERIES

General Specifications:

- For applications that require less control features that you may find in the SM-Plus series inverters
- Provides 11 isolated I/O terminals with one Form A relay output

Features:

- Removable electronic programming module
- Input line voltage calibration—optimizes over and under voltage trip levels
- Current limit to 180% with frequency foldback
- Adjustable carrier frequency (4 to 10 kHz)
- Adjustable V/Hz
- Output frequency to 240 Hz
- Seven preset speeds
- Automatic restart after fault
- Control via drive face, terminal strip or optional remote keypad
- Coast or ramp to stop
- Independent accel and decel adjustment
- Forward only or forward and reverse direction
- Adjustable DC injection braking
- Speed reference: Keypad, 0-10 VDC, or 4-20 mA
- Speed reference calibration
- Fixed boost for high starting torque
- Accel boost for high torque accelerating at any speed
- Slip compensation
- Three-digit LED display
- Password protection
- Fault history: Stores eight previous trips
- Terminal status indication
- Default parameter reset
- IP20 enclosure with finger safe terminals
- Dynamic braking and remote keypad kits available on page 394

AC / DC Controls

SM Series Sub-Micro AC Inverters

IP20 Enclosure Protection

Gearmotors

AC / DC Controls

Accessories / Kits

Mods / Factory Options

X-Ref / Index

Tech Information

Warnings/Cautions

Single Phase Input / Three Phase Output

(Use with three phase 230V motor)

Voltage	HP	Output Amps	Input Voltage	Catalog Number	List Price	Stock	App. Wgt. (lbs)	Dimension Key
110-120 Volts	1/3	1.7	110-120	174263.00	558	D	2	A5
	1/2	2.4	110-120	174264.00	606	D	2	A5
	1	4.2	110-120	174265.00	804	D	3	B5
	1 1/2	6.0	110-120	174266.00	913	D	3	B5

■ User programmable for 50Hz and other voltage inputs
D - Item to be discontinued after stock is depleted.

Specifications are subject to change without notice

Single Phase Input / Three Phase Output

(Use with three phase 230V motor)

Voltage	HP	Output Amps	Input Voltage	Catalog Number	List Price	Stock	App. Wgt. (lbs)	Dimension Key
200-240 Volts	1/3	1.7	200-240	174267.00	516	D	2	A5
	1/2	2.4	200-240	174268.00	544	D	2	A5
	1	4.2	200-240	174270.00	606	D	3	A6
	1 1/2	6.0	200-240	174271.00	729	D	4	B5
	2	7.0	200-240	174272.00	859	D	5	B5
	3	9.6	200-240	174273.00	1,008	D	5	B6

■ User programmable for 50Hz and other voltage inputs
D - Item to be discontinued after stock is depleted.

Specifications are subject to change without notice

Three Phase Input / Three Phase Output

Voltage	HP	Output Amps	Input Voltage	Catalog Number	List Price	Stock	App. Wgt. (lbs)	Dimension Key
200-240 Volts	1/2	2.4	200-240	174274.00	516	D	2	A5
	1	4.2	200-240	174276.00	573	D	2	A6
	1 1/2	6.0	200-240	174277.00	682	D	3	A7
	2	7.0	200-240	174278.00	778	D	3	A7
	3	9.6	200-240	174279.00	862	D	3	B6
	5	15.2	200-240	174288.00	1,099	D	5	B2
	7 1/2	22.0	200-240	174280.00	1,519	D	8	C1
	10	28.0	200-240	174290.00	1,544	D	8	C1
	15	42.0	200-240	174292.00	2,777	D	14	D1
400-480 Volts	1/2	1.1	400-480	174281.00	692	D	2	A1
	1	2.1	400-480	174282.00	739	D	3	A2
	1 1/2	3.0	400-480	174283.00	802	D	3	A3
	2	3.4	400-480	174284.00	858	D	4	A3
	3	4.8	400-480	174286.00	938	D	4	B1
	5	7.8	400-480	174287.00	1,124	D	5	B2
	7 1/2	11.0	400-480	174285.00	1,459	D	5	B2
	10	14.0	400-480	174291.00	1,738	D	8	C1
	15	21.0	400-480	174293.00	2,054	D	8	C1

■ User programmable for 50Hz and other voltage inputs
D - Item to be discontinued after stock is depleted.

Specifications are subject to change without notice
Dimension Table see page 387



AC / DC Controls

SM Plus Sub-Micro AC Inverters IP20 Enclosure Protection

**Discontinued Once
Stock is Depleted**

see page 376-377 for cross to
SM2 Series as a replacement



SM PLUS

General Specifications:

- Ultra-compact designs include 18 isolated I/O terminals plus
- RS485 *Modbus® serial communication

Features:

- Removable electronic programming module
- Input line voltage calibration—optimizes over and under voltage trip levels
- Current limit to 180% with frequency foldback
- Adjustable carrier frequency (4 to 10 kHz)
- Adjustable V/Hz
- Output frequency to 240 Hz
- Seven preset speeds
- Automatic restart after fault
- Control via drive face, terminal strip or optional remote keypad
- Coast or ramp to stop
- Independent accel and decel adjustment
- Forward only or forward and reverse direction
- Adjustable DC injection braking
- Speed reference: Keypad, 0-10 VDC, or 4-20 mA
- Speed reference calibration
- Speed and load indicating output signal selection: 0-10 VDC or 4-20mA
- Output signal calibration
- Fixed boost for high starting torque
- Accel boost for high torque accelerating at any speed
- Slip compensation
- Three-digit LED display
- Password protection
- Fault history: Stores eight previous trips
- Terminal status indication
- IP20 enclosure with finger safe terminals
- Dynamic braking and remote keypad kits available on pages 396-397

Single Phase Input / Three Phase Output

(Use with three phase 230V motor)

Voltage	HP	Output Amps	Input Voltage	Catalog Number	List Price	Stock	App. Wgt. (lbs)	Dimension Key
115/230 Volts	1	4.2	115/230	174492.00	1,145	D	4	B1
	1 1/2	6.0	115/230	174445.00	1,291	D	5	B1

■ User programmable for 50Hz and other voltage inputs.

Specifications are subject to change without notice



AC / DC Controls

SM Plus Sub-Micro AC Inverters

IP20 Enclosure Protection

Gearmotors

AC / DC Controls

Accessories / Kits

Mods / Factory Options

X-Ref / Index

Tech Information

Warnings/Cautions

Single or Three Phase Input / Three Phase Output

(Use with three phase 230V motor)

Voltage	HP	Output Amps	Input Voltage	Catalog Number	List Price	Stock	App. Wgt. (lbs)	Dimension Key
200-240 Volts	1/4	1.4	200-240	174452.00	821	D	2	A1
	1/2	2.2	200-240	174453.00	858	D	2	A1
	1	4.2	200-240	174454.00	920	D	3	A2
	1 1/2	6.0	200-240	174493.00	1,096	D	4	B1
	2	6.8	200-240	174494.00	1,211	D	5	B2
	3	9.6	200-240	174495.00	1,468	D	5	B2
	5	15.2	200-240	174444.00	2,015	D	8	C1

■ User programmable for 50Hz and other voltage inputs
 D - Item to be discontinued after stock is depleted.

Specifications are subject to change without notice

Three Phase Input / Three Phase Output

Voltage	HP	Output Amps	Input Voltage	Catalog Number	List Price	Stock	App. Wgt. (lbs)	Dimension Key
200-240 Volts	1	4.2	200-240	174455.00	848	D	3	A2
	1 1/2	6.0	200-240	174456.00	995	D	3	A3
	2	6.8	200-240	174457.00	1,100	D	4	A3
	3	9.6	200-240	174458.00	1,311	D	4	A3
	5	15.2	200-240	174446.00	1,687	D	4	B2
	7 1/2	22.0	200-240	174438.00	2,307	D	8	C1
	10	28.0	200-240	174439.00	2,754	D	8	C1
	15	42.0	200-240	174429.00	3,567	D	13	D1
	20	54.0	200-240	174430.00	4,375	D	14	D1
400-480 Volts	1/2	1.1	400-480	174459.00	955	D	2	A1
	1	2.1	400-480	174460.00	1,028	D	3	A2
	1 1/2	3.0	400-480	174461.00	1,125	D	3	A3
	2	3.4	400-480	174462.00	1,240	D	4	A3
	3	4.8	400-480	174463.00	1,385	D	4	A3
	5	7.6	400-480	174447.00	1,765	D	5	B2
	7 1/2	11.0	400-480	174440.00	2,307	D	8	C1
	10	14.0	400-480	174441.00	2,754	D	8	C1
	15	21.0	400-480	174431.00	3,497	D	13	D1
	20	27.0	400-480	174432.00	4,283	D	14	D1
	25	34.0	400-480	174433.00	5,097	D	14	D1
	30	40.0	400-480	174500.00	5,924	D	14	D1
480-590 Volts	1	1.7	480-590	174464.00	1,100	D	3	A2
	2	3.0	480-590	174491.00	1,317	D	4	A3
	3	4.2	480-590	174497.00	1,564	D	5	B2
	5	6.6	480-590	174448.00	1,915	D	5	B2
	7 1/2	9.9	480-590	174442.00	2,485	D	8	C1
	10	12.2	480-590	174443.00	2,945	D	8	C1
	15	19.0	480-590	174434.00	3,858	D	8	D1
	20	24.0	480-590	174435.00	4,717	D	14	D1
	25	27.0	480-590	174436.00	5,581	D	14	D1

■ User programmable for 50Hz and other voltage inputs

Specifications are subject to change without notice
 Dimension Table see page 386



AC / DC Controls

SM and SM-Plus Series Replacement Chart

The SM Series and SM-Plus Series of variable frequency drives are being discontinued. The tables below will assist to find an upgraded replacement. The replacement SM2 Series offers additional or upgraded features including:

- IP31 NEMA® enclosure.
- 8 more preset speeds
- Open-loop vector
- PID software
- 4-digit display



SM SERIES SUB-MICRO VFD IP20 Rated REPLACEMENT SM2 VFD IP31 Rated

SM Series Catalog #	Width inches	Height inches	Depth inches	Description	SM2 Catalog #	Width inches	Height inches	Depth inches	Description
174286.00	4.52	5.74	5.46	3PH.3HP.400-480V	174624.00	3.89	7.51	5.42	440/480V 2.2kW 3Ph N1
174287.00	4.52	5.74	6.72	3PH.5HP.400-480V	174625.00	3.89	7.51	5.78	400/480V 4kW 3Ph N1
174267.00	3.69	5.74	3.26	1 OR 3PH.1/3HP.208/240V	174606.00	3.89	7.47	4.36	200/240V 0.25kW 1P N1
174274.00	3.69	5.74	3.26	3PH.1/2HP.208/240V	174607.00	3.89	7.47	4.36	240V 0.37kW 1&3Ph N1
174268.00	3.69	5.74	3.26	1 OR 3PH.1/2HP.208/240V	174607.00	3.89	7.47	4.36	240V 0.37kW 1&3Ph N1
174276.00	3.69	5.74	3.62	3PH.1HP.208/240V	174608.00	3.89	7.47	4.36	240V 0.75kW 1&3Ph N1
174270.00	3.69	5.74	3.62	1PH IN/3PH OUT.1HP.208/240V	174608.00	3.89	7.47	4.36	240V 0.75kW 1&3Ph N1
174271.00	4.56	5.74	4.87	1 OR 3PH.1.5HP.208/240V	174609.00	3.89	7.51	5.42	200/240V 1.1kW 1&3P N1
174272.00	4.52	5.74	4.87	1 OR 3PH.2HP.208/240V	174610.00	3.89	7.51	5.42	240V 1.5kW 1&3Ph N1
174279.00	4.52	5.74	5.50	3PH.3HP.208/240V	174611.00	3.89	7.51	5.42	200/240V 2.2kW 3Ph N1
174273.00	4.52	5.74	5.50	1 OR 3PH.3HP.208/240V	174611.00	3.89	7.51	5.42	200/240V 2.2kW 1&3P N1
174288.00	4.52	5.74	6.72	3PH.5HP.208-240V	174615.00	3.89	7.51	5.78	200/240V 4kW 3Ph N1
174293.00	5.82	7.74	7.15	3 PH.15HP.400-480V	174628.00	6.92	12.50	8.06	400/480V 11kW 3Ph N1
174285.00	4.52	5.74	6.72	3 PH.75HP.400-480V	174626.00	5.11	9.83	6.29	400/480V 5.5kW 3Ph N1
174291.00	6.2	7.5	4.3	3 PH.10HP.400-480V	174627.00	5.11	9.83	6.29	480V 7.5kW 3Ph N1
174265.00	3.89	7.51	5.78	1PH.1HP.110/120V	174605.00	3.89	7.47	4.36	120/240V 0.75kW 1Ph N1
174264.00	3.89	7.47	4.36	1PH.1/2HP.110/120V	174604.00	3.89	7.47	4.36	120/240V 0.37kW 1Ph N1
174263.00	3.89	7.47	4.36	1PH.1/3HP.110/120V	174603.00	3.89	7.47	4.36	120/240V 0.25kW 1Ph N1
174266.00	3.89	7.47	4.36	1PH.1.5HP.110/120V	174651.00	3.89	7.51	5.42	120V 1.1kW 1Ph N1
174277.00	3.89	7.51	5.78	3PH.1.5HP.208/240V	174609.00	3.89	7.51	5.42	200/240V 1.1kW 3Ph N1
174278.00	3.89	7.51	5.78	3PH.2HP.208/240V	174610.00	3.89	7.51	5.42	220/240V 1.5kW 3Ph N1
174292.00	5.11	9.83	6.29	3 PH.15HP.208-240V	174618.00	6.92	12.50	8.06	200/240V 11kW 3Ph N1
174280.00	3.89	7.47	4.36	3 PH.75HP.208-240V	174616.00	5.11	9.83	6.29	200/240V 5.5kW 3Ph N1
174284.00	3.89	7.47	4.36	3PH.2HP.400-480V	174623.00	3.89	7.51	5.42	400/480V 1.5kW 3Ph N1
174281.00	3.89	7.47	4.36	3PH.1/2HP.400-480V	174620.00	3.89	7.47	4.36	480V 0.37kW 3Ph N1
174282.00	5.11	9.83	6.29	3PH.1HP.400-480V	174621.00	3.89	7.47	4.36	440/480V 0.75kW 3Ph N1
174283.00	5.11	9.83	6.29	3PH.1.5HP.400-480V	174622.00	3.89	7.51	5.42	400/480V 1.1kW 3Ph N1



AC / DC Controls

SM and SM-Plus Series Replacement Chart



SM-PLUS SUB-MICRO VFD IP20 Rated

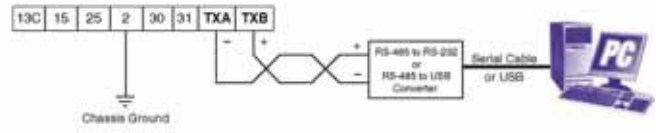
REPLACEMENT SM2 VFD IP31 Rated

SM-PLUS Catalog #	Width inches	Height inches	Depth inches	Description	SM2 Catalog #	Width inches	Height inches	Depth inches	Description
174492.00	6.92	12.50	8.06	1PH.1HP.115/230V	174605.00	3.89	7.47	4.36	120/240V 0.75kW 1Ph N1
174445.00	6.92	12.50	8.06	1PH.1.5HP.115/230V	174651.00	3.89	7.51	5.42	120V 1.1kW 1Ph N1
174453.00	6.92	12.50	8.06	1 or 3PH.1/2HP.200-230V	174607.00	3.89	7.47	4.36	240V 0.37kW 1&3Ph N1
174452.00	6.92	12.50	8.06	1 OR 3PH.1/4HP.200-230V	174607.00	3.89	7.47	4.36	240V 0.37kW 1&3Ph N1
174454.00	6.92	12.50	8.06	1 or 3PH.1HP.200-230V	174608.00	3.89	7.47	4.36	240V 0.75kW 1&3Ph N1
174493.00	6.92	12.50	8.06	1 OR 3PH.1.5HP.200-230V	174609.00	3.89	7.51	5.42	200/240V 1.1kW 1&3P N1
174494.00	6.92	12.50	8.06	1 OR 3PH.2HP.200-230V	174610.00	3.89	7.51	5.42	240V 1.5kW 1&3Ph N1
174495.00	6.92	12.50	8.06	1 OR 3PH.3HP.200-230V	174611.00	3.89	7.51	5.42	200/240V 2.2kW 1&3P N1
174444.00	6.92	12.50	8.06	1 OR 3PH.5HP.200-230V	No direct cross.				
174435.00	3.89	7.51	5.42	3PH.20HP.550-575V	174638.00	6.92	12.50	8.06	600V 15kW 3Ph N1
174455.00	3.89	7.51	5.42	3PH.1HP.200-230V	174608.00	3.89	7.47	4.36	240V 0.75kW 1&3Ph N1
174456.00	3.89	7.51	5.42	3PH.1.5HP.200-230V	174609.00	3.89	7.51	5.42	200/240V 1.1kW 3Ph N1
174457.00	3.89	7.51	5.42	3PH.2HP.200-230V	174610.00	3.89	7.51	5.42	220/240V 1.5kW 3Ph N1
174446.00	3.89	7.51	5.42	3PH.5HP.200-230V	174615.00	3.89	7.51	5.78	200/240V 4kW 3Ph N1
174429.00	3.89	7.51	5.42	3PH.15HP.200-230V	174618.00	6.92	12.50	8.06	200/240V 11kW 3Ph N1
174430.00	3.89	7.51	5.42	3PH.20HP.200-230V	174619.00	6.92	12.50	8.06	200/240V 15kW 3Ph N1
174458.00	3.89	7.51	5.42	3PH.3HP.200-230V	174611.00	3.89	7.51	5.42	200/240V 2.2kW 3Ph N1
174438.00	3.89	7.51	5.42	3PH.7.5HP.200-230V	174616.00	5.11	9.83	6.29	200/240V 5.5kW 3Ph N1
174439.00	3.89	7.51	5.42	3PH.10HP.200-230V	174617.00	5.11	9.83	6.29	240V 7.5kW 3Ph N1
174431.00	3.89	7.51	5.42	3PH.15HP.460-480V	174628.00	6.92	12.50	8.06	400/480V 11kW 3Ph N1
174432.00	3.89	7.51	5.42	3PH.20HP.460-480V	174629.00	6.92	12.50	8.06	400/480V 15kW 3Ph N1
174434.00	3.89	7.47	4.36	3PH.15HP.550-575V	174637.00	6.92	12.50	8.06	600V 11kW 3Ph N1
174436.00	3.89	7.47	4.36	3PH.25HP.550-575V	174639.00	6.92	12.50	8.06	600V 18.5kW 3Ph N1
174433.00	3.89	7.47	4.36	3PH.25HP.460-480V	174630.00	6.92	12.50	8.06	400/480V 18.5kW 3Ph N1
174500.00	5.11	9.83	6.29	3 PH.30HP.460-480V	174991.00	6.92	12.50	8.06	400/480V 22kW 3Ph N1
174460.00	5.11	9.83	6.29	3PH.1HP.460-480V	174621.00	3.89	7.47	4.36	440/480V 0.75kW 3Ph N1
174462.00	5.11	9.83	6.29	3PH.2HP.460-480V	174623.00	3.89	7.51	5.42	400/480V 1.5kW 3Ph N1
174461.00	3.65	5.74	5.74	3PH.1.5HP.460-480V	174622.00	3.89	7.51	5.42	400/480V 1.1kW 3Ph N1
174459.00	3.65	5.74	3.93	3PH.1/2HP.460-480V	174620.00	3.89	7.47	4.36	480V 0.37kW 3Ph N1
174447.00	4.56	5.74	6.72	3PH.5HP.460-480V	174625.00	3.89	7.51	5.78	400/480V 4kW 3Ph N1
174448.00	4.56	5.74	6.72	3PH.5HP.550-575V	174634.00	3.89	7.51	5.78	600V 4kW 3Ph N1
174463.00	3.65	5.74	5.74	3PH.3HP.460-480V	174624.00	3.89	7.51	5.42	440/480V 2.2kW 3Ph N1
174464.00	3.65	5.74	4.72	3PH.1HP.550-575V	174631.00	3.89	7.47	4.36	600V 0.75kW 3Ph N1
174491.00	3.65	5.74	5.74	3PH.2HP.550-575V	174632.00	3.89	7.51	5.42	600V 1.5kW 3Ph N1
174497.00	4.56	5.74	6.72	3PH.3HP.550-575V	174633.00	3.89	7.51	5.42	600V 2.2kW 3Ph N1
174441.00	5.82	7.74	7.15	3PH.10HP.460-480V	174627.00	5.11	9.83	6.29	480V 7.5kW 3Ph N1
174440.00	5.82	7.74	7.15	3PH.7.5HP.460-480V	174626.00	5.11	9.83	6.29	400/480V 5.5kW 3Ph N1
174443.00	5.82	7.74	7.15	3PH.10HP.550-575V	174636.00	5.11	9.83	6.29	600V 7.5kW 3Ph N1
174442.00	5.82	7.74	7.15	3PH.7.5HP.550-575V	174635.00	5.11	9.83	6.29	600V 5.5kW 3Ph N1



SM Plus & SM Vector Series

The SM Plus and SM Vector Series drives are RS-485, so a RS-232 to RS-485 or USB to RS-485 converter is required. The converter connects to the computer using a standard serial connection. A twisted pair connects the converter to the drive.

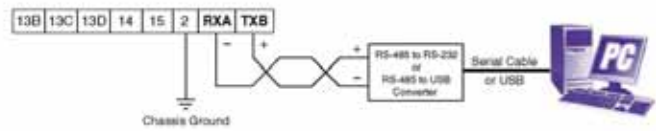


SM Plus & SM Vector Series Control Strip

Note 2: Refer to the converter manufacturer's instructions for proper converter configuration. The converter is not supplied by LEESON.

Micro Series

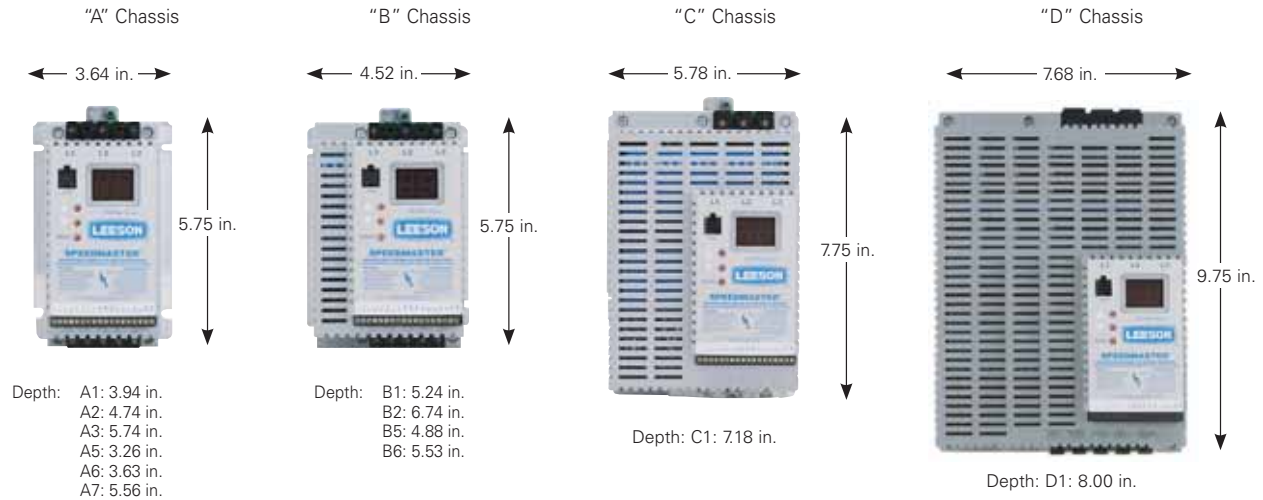
The Micro Series drive is RS-485, so a RS-232 to RS-485 or USB to RS-485 converter is required. The converter connects to the computer using a standard serial or USB connection. A twisted pair connects the converter to the drive.



Micro Series Control Strip

Note: 3 Refer to the converter manufacturer's instructions for proper converter configuration. The converter is not supplied by LEESON.

DIMENSIONS: SM AND SM PLUS SERIES INVERTERS



Specifications are subject to change without notice

AC / DC Controls

SM2 Series Flux Vector Series AC Inverters

NEMA® 1 IP31 Enclosure Protection

Gearmotors

AC / DC Controls

Accessories / Kits

Modes / Factory Options

X-Ref / Index

Tech Information

Warnings/Cautions

General Specifications:

- Designed to be used with vector duty rated AC motors
- Open loop flux vector designs
- Typical applications would include: food processing, machinery, material handling and HVAC systems
- Enclosure: NEMA1, IP31, -10 to 55°C, 2.5% derate per °C above 40°C

Standard Features:

Easy Set-up and Operation: Program the vector control in one of four convenient ways:

- From the front of the drive
- The optional remote keypad
- A PC using TechLink software (Available free from www.leeson.com)
- The innovative EPM programmer

Modes of operation:

- Open loop flux vector (speed or torque)
- V/Hz (constant or variable)
- Enhanced V/Hz with auto-tuning

Easy to Use Keypad & Display

6-Button Interface:

- Start
- Stop
- Forward/reverse
- Scroll up
- Scroll down
- Enter/mode

Vivid Illumination:

- 4 digit LED display
- Easy to read from a distance
- Movable decimal point

Acceleration/Deceleration Profiles:

- Two Independent accel ramps
- Two Independent decel ramps
- Linear or S-type
- Auxiliary ramp-to-stop

Output Frequency:

- 500 Hz Std., 1000 Hz optional

Selectable Logic Assertion:

- Positive logic input (PNP current sourcing)
- Negative logic input (NPN current sinking)



AC / DC Controls

SM2 Series Flux Vector Series AC Inverters

NEMA® 1 IP31 Enclosure Protection

Multiple Braking Functions

- Loss of follower management
- Speed commands: keypad, jog, floating point control
- Voltage: Scalable 0-10 VDC
- Current: Scalable 4-20 mA, potentiometer
- 8 preset speeds
- Process control: PID modes: direct or reverse acting
- PID sleep mode
- Voltage monitoring
- Current monitoring
- Real time monitoring: 8 register fault history, software version drive network ID, DC bus
- Voltage (V), motor voltage (V), output current (%)
motor current (A), motor torque (%), power (kW)
energy consumption (kWh), heatsink
- Temperature (°C), 0-10 VDC input (user defined), 4-20 mA input (user defined) PID feedback (user defined), analog output (% load, % torque, kW), network speed (baud rate), terminal continuity, keypad status
- Elapsed run time (hours), elapsed power on time (hours)
- Standards: UL (USA), cUL (Canada), CE (Europe), GOST (Russia/Ukraine) C-Tick (Australia/New Zealand)

Single Phase Input / 230 Volt Three Phase Output

Voltage	HP	Output Amps	Input Voltage■	Catalog Number	List Price	App. Wgt. (lbs)	Dimensions H x W x D (in.)
115-230 Volts	1/3	1.7	115/230	174603.00	641	3	7.5 x 3.9 x 4.35
	1/2	2.4	115/230	174604.00	659	3	7.5 x 3.9 x 4.35
	1	4.2	115/230	174605.00	734	3	7.5 x 3.9 x 4.35
	1 1/2	6.0	115/230	174651.00	925	5	7.5 x 3.9 x 5.45

Specifications are subject to change without notice

Single or Three Phase Input / 230 Volt Three Phase Output

Voltage	HP	Output Amps	Input Voltage■	Catalog Number	List Price	App. Wgt. (lbs)	Dimensions H x W x D (in.)
208-240 Volts	1/3	1.7	208/240	174606.00£	584	3	7.5 x 3.9 x 4.35
	1/2	2.4	208/240	174607.00	612	3	7.5 x 3.9 x 4.35
	1	4.2	208/240	174608.00	647	3	7.5 x 3.9 x 4.35
	1 1/2	6.0	208/240	174609.00	721	4	7.5 x 3.9 x 5.45
	2	7.0	208/240	174610.00	784	4	7.5 x 3.9 x 5.45
	3	9.6	208/240	174611.00	992	4	7.5 x 3.9 x 5.45

£ LEESON® model 174606.00 is single-phase input only
■ User programmable for 50Hz and other voltage inputs

Specifications are subject to change without notice



AC / DC Controls

SM2 Series Flux Vector Series AC Inverters

NEMA® 1 IP31 Enclosure Protection

Gearmotors

AC / DC Controls

Accessories / Kits

Mods / Factory Options

X-Ref / Index

Tech Information

Warnings/Cautions

Three Phase Input / Output

Voltage	HP	Output Amps	Input Voltage	Catalog Number	List Price	App. Wgt. (lbs)	Dimensions H x W x D (in.)
200-240 Volts	1 1/2	6.0	200/240	174609.00	721	4	7.5 x 3.9 x 5.45
	2	7.0	200/240	174610.00	784	4	7.5 x 3.9 x 5.45
	3	9.6	200/240	174611.00	992	4	7.5 x 3.9 x 5.45
	5	16.5	200/240	174615.00	1,111	4	7.5 x 3.9 x 5.8
	7 1/2	23.0	200/240	174616.00	1,484	7	9.83 x 5.12 x 6.3
	10	29.0	200/240	174617.00	1,832	7	9.83 x 5.12 x 6.3
	15	42.0	200/240	174618.00	2,849	20	12.33 x 6.88 x 8.08
	20	54.0	200/240	174619.00	3,501	20	12.33 x 6.88 x 8.08
400-480 Volts	1/2	1.1	400/480	174620.00	707	3	7.5 x 3.9 x 4.35
	1	2.1	400/480	174621.00	759	3	7.5 x 3.9 x 4.35
	1 1/2	3.0	400/480	174622.00	823	4	7.5 x 3.9 x 5.45
	2	3.5	400/480	174623.00	878	4	7.5 x 3.9 x 5.45
	3	4.8	400/480	174624.00	1,034	4	7.5 x 3.9 x 5.45
	5	8.2	400/480	174625.00	1,170	4	7.5 x 3.9 x 5.8
	7 1/2	11.0	400/480	174626.00	1,482	7	9.83 x 5.12 x 6.3
	10	14.0	400/480	174627.00	1,830	7	9.83 x 5.12 x 6.3
	15	21.0	400/480	174628.00	2,856	20	12.33 x 6.88 x 8.08
	20	27.0	400/480	174629.00	3,512	20	12.33 x 6.88 x 8.08
	25	35.0	400/480	174630.00	4,358	20	12.33 x 6.88 x 8.08
	30	45.0	400/480	174991.00	5,173	14	12.5x6.92x8.09
	40	59.0	400/480	174992.00	5,752	24	14.19x8.72x10.07
	50	74.0	400/480	174710.00	7,901	31	17.19x8.72x10.07
60	87.0	400/480	174711.00	9,614	35	20.19x8.72x10.07	
480-590 Volts	1	1.7	480/590	174631.00	875	3	7.5 x 3.9 x 4.35
	2	2.7	480/590	174632.00	975	4	7.5 x 3.9 x 5.45
	3	3.9	480/590	174633.00	1,127	4	7.5 x 3.9 x 5.45
	5	6.1	480/590	174634.00	1,274	4	7.5 x 3.9 x 5.8
	7 1/2	9.0	480/590	174635.00	1,591	7	9.83 x 5.12 x 6.3
	10	11.0	480/590	174636.00	1,961	7	9.83 x 5.12 x 6.3
	15	17.0	480/590	174637.00	3,147	20	12.33 x 6.88 x 8.08
	20	22.0	480/590	174638.00	4,053	20	12.33 x 6.88 x 8.08
	25	27.0	480/590	174639.00	4,693	20	12.33 x 6.88 x 8.08

■ User programmable for 50Hz and other voltage inputs

*Items being discontinued, use like ratings found in "Single or Three Phase input" found on previous page.

Specifications are subject to change without notice



AC / DC Controls

SM4 Series Flux Vector Series AC Inverters

NEMA® 4 IP65 Enclosure Protection



General Specifications:

- Indoor use only inverter that is designed to be used with vector duty motors
- Typical applications would include: packaging machinery, food processing, conveying systems, machinery and HVAC systems
- Enclosure: NEMA 4, IP65, -10 to 55°C, derate per °C above 40°C

Standard Features:

Easy Set-up and Operation: Program the vector control in one of four convenient ways:

- From the front of the drive
- The optional remote keypad
- A PC Using TechLink software
(Available free from www.leeson.com)
- The innovative EPM programmer

Modes of operation:

- Open-loop flux vector (speed or torque)
- V/Hz (constant or variable)
- Enhanced V/Hz with auto-tuning

Easy to Use Keypad & Display

6-Button Interface:

- Start
- Stop
- Forward/reverse
- Scroll up
- Scroll down
- Enter/mode

Vivid Illumination:

- 4 digit LED display
- Easy to read from a distance
- Movable decimal point

Acceleration/Deceleration Profiles:

- Two independent accel ramps
- Two independent decel ramps
- Linear or S-type
- Auxiliary ramp-to-stop

Output Frequency:

- 500 Hz Std., 1000 Hz optional

Selectable Logic Assertion:

- Positive logic input (PNP current sourcing)
- Negative logic input (NPN current sinking)

Multiple Braking Functions

- Loss of follower management
- Speed commands: keypad, jog, floating point control
- Voltage: scalable 0-10 VDC
- Current: scalable 4-20 mA, potentiometer
- 8 Preset speeds
- Process control: PID modes: direct or reverse acting
- PID sleep mode
- Voltage monitoring
- Current monitoring
- Real time monitoring: 8 register fault history, software version drive network ID, DC bus
- Voltage (V), motor voltage (V), output current (%), motor current (A), motor torque (%), power (kW), energy consumption (kWh), heatsink
- Temperature (°C), 0-10 VDC input (user defined), 4-20 mA input (user defined) PID feedback (user defined), analog output (% load, % torque, kW), network speed (baud rate), terminal continuity, keypad status
- Elapsed run time (hours), elapsed power on time (hours)
- Standards: UL (USA), cUL (Canada), CE (Europe), GOST (Russia/Ukraine) C-Tick (Australia/New Zealand)

AC / DC Controls

SM4 Series Flux Vector Series AC Inverters

NEMA® 4 IP65 Enclosure Protection

Single Phase Input / Three Phase Output

(Use with three phase 230V motor)

Voltage	HP	Output Amps	Input Voltage	Catalog Number	List Price	App. Wgt. (lbs)	Dimensions H x W x D (in.)
115/230 Volts	1/2	2,4	115/230	174652.00	850	4	8.0 x 6.28 x 4.47
	1/2	2,4	115/230	174540.00 ⬇	1,189	4	8.0 x 6.28 x 4.47
	1	4,2	115/230	174653.00	969	4	8.0 x 6.28 x 4.47
	1,5	6,0	115/230	174654.00	1,180	4	8.0 x 6.28 x 4.47

- User programmable for 50Hz and other voltage inputs
- ⬇ With integral disconnect switch

Specifications are subject to change without notice

Single or Three Phase Input / Three Phase Output

(Use with three phase 230V motor)

Voltage	HP	Output Amps	Input Voltage	Catalog Number	List Price	App. Wgt. (lbs)	Dimensions H x W x D (in.)
208-240 Volts	1/2	2,4	208-240	174655.00	765	4	8.0 x 6.28 x 4.47
	1	4,2	208-240	174656.00	820	4	8.0 x 6.28 x 4.47
	1 1/2	6,0	208-240	174657.00	958	6	8.0 x 6.28 x 6.31
	2	7,0	208-240	174658.00	1,040	6	8.0 x 6.28 x 6.31
	3	9,6	208-240	174659.00	1,243	7	8.0 x 7.12 x 6.77

- User programmable for 50Hz and other voltage inputs
- ⬇ With integral disconnect switch

Specifications are subject to change without notice

Three Phase Input / Three Phase Output

Voltage	HP	Output Amps	Input Voltage	Catalog Number	List Price	App. Wgt. (lbs)	Dimensions H x W x D (in.)
208-240 Volts	5	16,5	208-240	174660.00	1,545	12	10.0 x 8.96 x 8.0
	7 1/2	23,0	208-240	174661.00 ⌋	2,078	11	10.0 x 8.04 x 8.0
	10	29,0	208-240	174662.00 ⌋	2,623	11	10.0 x 8.04 x 8.0
	15	42,0	208-240	174699.00 ⌋	3,698	25	14.5 x 9.42 x 9.45
	20	54,0	208-240	174700.00 ⌋	5,041	26	14.5 x 9.42 x 9.45
400-480 Volts	1/2	1,5	400-480	174671.00	916	4	8.0 x 6.28 x 4.47
	1/2	1,5	400-480	174542.00 ⬇ ⌋	1,240	4	8.0 x 6.28 x 4.47
	1	2,1	400-480	174672.00	986	4	8.0 x 6.28 x 4.47
	1 1/2	3,0	400-480	174673.00	1,066	6	8.0 x 6.28 x 6.31
	2	3,5	400-480	174674.00	1,162	6	8.0 x 6.28 x 6.31
	3	4,8	400-480	174675.00	1,325	6	8.0 x 6.28 x 6.31
	5	8,2	400-480	174676.00	1,641	12	10.0 x 8.96 x 8.0
	7 1/2	11,0	400-480	174677.00	2,068	12	10.0 x 8.96 x 8.0
	10	14,0	400-480	174678.00 ⌋	2,472	11	10.0 x 8.04 x 8.0
	10	14,0	400-480	174546.00 ⬇ ⌋	2,975	11	10.0 x 8.04 x 8.0
	15	21,0	400-480	174701.00 ⌋	3,568	25	14.5 x 9.42 x 9.45
	15	21,0	400-480	174544.00 ⬇ ⌋	4,225	25	14.5 x 9.42 x 9.45
	20	27,0	400-480	174702.00 ⌋	4,778	26	14.5 x 9.42 x 9.45
	25	34,0	400-480	174703.00 ⌋	5,980	26	14.5 x 9.42 x 9.45
30	40,0	400-480	174704.00 ⌋	6,899	31	18.5 x 9.42 x 9.45	
480-590 Volts	1	1,7	480-590	174663.00	1,066	4	8.0 x 6.28 x 4.47
	2	2,7	480-590	174664.00	1,261	6	8.0 x 6.28 x 6.31
	3	3,9	480-590	174665.00	1,459	6	8.0 x 6.28 x 6.31
	5	6,1	480-590	174666.00	1,803	12	10.0 x 8.96 x 8.0
	7 1/2	9,0	480-590	174667.00	2,282	12	10.0 x 8.96 x 8.0
	10	11,0	480-590	174668.00 ⌋	2,720	11	10.0 x 8.04 x 8.0

- User programmable for 50Hz and other voltage inputs
- ⌋ = Fan cooled - other controls are convection cooled
- ⬇ With integral disconnect switch

Specifications are subject to change without notice



AC / DC Controls

Micro Series AC Inverters

NEMA® 1, IP31 Enclosure Protection

Features:

- Full feature, English read-out parameters
- 16 bit Intel® microprocessor
- Choice of using factory “Quick Start” program settings
- Output frequency to 120 Hz. Higher frequency available
- 150% overload capacity for one minute
- Speed reference signals - potentiometer, 0-10 VDC or 4-20mA inputs
- Output signal, 0-10 VDC, speed or load
- Two auxiliary contacts, one form C relay and two open collector outputs
- 4 preset speeds
- Slip compensation
- Adjustable carrier frequency
- Adjustable acceleration and deceleration times
- Forward and reverse
- Time and voltage adjustable DC braking
- Password protected
- Constant torque with adjustable current limit
- Steel enclosure with aluminum heat sinks
- Dynamic braking kits available
- Remote keypads available
- PID software built-in for motor feedback
- UL Listed



NEMA® 1



NEMA 1 (IP31) - Single Phase Input / 230V Three Phase Output

(Use with three phase 230V motor)

HP	Output Amps @ 230 Volts	Input Voltage	Catalog Number	List Price	App. Wgt. (lbs)	Dimension Key
1/4	1.4	115/230	174930.00	1,223	5	A
1/2	2.2	115/230	174997.00	1,475	7	AC
1	4.0	115/230	174931.00	1,487	7	D
1 1/2	5.2	115/230	174932.00	1,648	7	D
2	6.8	200-230	174933.00	1,572	9	E
3	9.6	200-230	174934.00	1,729	9	E

Specifications are subject to change without notice

Dimension Table see page 389

NEMA® 1, IP31 Enclosure Protection

Voltage	HP	Output Amps	Input Voltage	Catalog Number	List Price	App. Wgt. (lbs)	Dimension Key
200-240 Volts	1/2	2.2	200-240	174914.00	1,296	6	B
	1	4.0	200-240	174915.00	1,361	6	C
	1.5	5.2	200-240	174916.00	1,425	6	C
	2	6.8	200-240	174917.00	1,523	9	E
	3	9.6	200-240	174918.00	1,637	9	E
	5	15.2	200-240	174919.00	1,936	11	F
	7 1/2	25.0	200-240	174545.00	2,864	13	M
	10	28.0	200-240	174551.00	3,705	15	L
	15	42.0	200-240	174557.00	4,889	19	N
	20	54.0	200-240	174560.00	6,635	21	P
	25	68.0	200-240	174569.00	8,037	38	T
30	80.0	200-240	174571.00	9,642	44	T	
400-480 Volts	1	2.0	400-480	174920.00	1,632	6	B
	2	3.4	400-480	174921.00	1,790	7	D
	3	4.8	400-480	174922.00	1,936	9	E
	5	7.6	400-480	174923.00	2,178	9	E
	10	14.0	400-480	174552.00	4,018	13	M
	15	21.0	400-480	174558.00	5,159	15	L
	20	27.0	400-480	174561.00	6,845	17	N
	25	34.0	400-480	174563.00	8,072	21	P
	30	40.0	400-480	174565.00	8,788	21	P
	40	52.0	400-480	174567.00	10,128	35	T
	50	65.0	400-480	174593.00	12,344	44	W
	60	77.0	400-480	174572.00	13,564	67	W
	75	96.0	400-480	174580.00	17,194	185	AG
	100	124.0	400-480	174582.00	20,907	250	AH
	125	156.0	400-480	174584.00	23,491	260	AH
150	180.0	400-480	174586.00	32,046	360	AL	
480-590 Volts	1	1.6	480-590	174925.00	1,809	6	B
	2	2.7	480-590	174926.00	1,999	7	D
	3	3.9	480-590	174927.00	2,209	9	E
	5	6.1	480-590	174928.00	2,410	9	F
	7 1/2	9.0	480-590	174929.00	2,945	11	I
	10	11.0	480-590	174553.00	4,488	13	R
	15	17.0	480-590	174559.00	5,925	17	N
	20	22.0	480-590	174562.00	7,525	19	O
	25	27.0	480-590	174564.00	8,887	21	P
	30	32.0	480-590	174566.00	9,954	22	S
	40	41.0	480-590	174599.00	11,040	38	T
50	52.0	480-590	174594.00	13,392	45	W	
60	62.0	480-590	174573.00	14,981	51	W	

Specifications are subject to change without notice

Dimension Table see page 389



AC / DC Controls

Washguard® Micro Series AC Inverters

NEMA® 4/12 (IP65/IP54)

Epoxy Coated

General Specifications:

- Food-safe white epoxy finish
- No external cooling fan required
- Water, oil and dust-tight enclosure protected
- Same features as Micro Series inverters as shown on previous page



WASHGUARD® NEMA® 4/12

Three Phase Input / Output

Voltage	HP	Output Amps	Input Voltage □	Catalog Number	List Price	App. Wgt. (lbs)	Dimension Key
200-240 Volts	1/2	2.2	200-240	174935.00	1,835	8	G
	1	4.0	200-240	174936.00	1,993	8	G
	1 1/2	5.2	200-240	174482.00	2,020	8	Y
	2	6.8	200-240	174937.00	2,134	10	H
	3	9.6	200-240	174938.00	2,309	11	J
	5	15.2	200-240	174730.00	2,847	11	K
	7 1/2	22.0	200-240	174734.00	3,948	27	Q
	10	28.0	200-240	174737.00	4,980	32	U
	15	43.0	200-240	174740.00	6,006	40	V
	20	54.0	200-240	174743.00 □	7,712	42	AA
	25	68.0	200-240	174595.00 □	10,567	53	Z
400-480 Volts	30	80.0	200-240	174596.00 □	11,196	53	Z
	1	2.0	400-480	174939.00	2,244	8	G
	2	3.4	400-480	174940.00	2,476	10	H
	3	4.8	400-480	174941.00	2,655	10	H
	5	7.6	400-480	174942.00	2,933	11	J
	10	14.0	400-480	174554.00	4,958	11	Q
	15	21.0	400-480	174749.00	6,177	32	U
	20	27.0	400-480	174752.00	7,920	36	V
	25	34.0	400-480	174755.00 □	9,144	42	AA
	30	40.0	400-480	174757.00 □	9,995	53	AA
	40	52.0	400-480	174513.00 □	11,516	54	Z
	50	65.0	400-480	174511.00 □	13,416	75	AB
	60	77.0	400-480	174574.00 □	15,107	98	AB
	75	96.0	400-480	174581.00 □	18,648	200	AJ
100	124.0	400-480	174583.00 □	22,523	300	AO	
480-590 Volts	125	156.0	400-480	174585.00 □	25,591	310	AO
	1	1.6	480-590	174943.00	2,441	8	G
	2	2.7	480-590	174944.00	2,723	10	H
	3	3.9	480-590	174945.00	2,970	10	H
	5	6.1	480-590	174946.00	3,197	11	J
	7 1/2	9.0	480-590	174549.00	4,394	13	K
	10	11.0	480-590	174556.00	5,765	17	Q
	15	17.0	480-590	174763.00	6,964	38	U
	20	22.0	480-590	174766.00	8,478	40	V
	25	27.0	480-590	174769.00 □	10,111	42	AA
	30	32.0	480-590	174597.00 □	11,096	53	AA
	40	41.0	480-590	174512.00 □	12,847	54	Z
	50	52.0	480-590	174510.00 □	14,999	75	AB
60	62.0	480-590	174575.00 □	16,778	98	AB	

◀ Enclosures are NEMA 12 only – others are NEMA 4/12

□ User programmable for 50Hz and other voltage inputs

Specifications are subject to change without notice

Dimension Table see page 389

AC / DC Controls

Washguard® Micro Series AC Inverters

NEMA® 4X (IP65)
Stainless Steel



WASHGUARD® NEMA® 4X

General Specifications:

- 300-Series stainless steel
- No external cooling fans
- Must be protected from caustic agents
- Same features as NEMA 1 Micro Series inverters

Three Phase Input / Output

Voltage	HP	Output Amps	Input Voltage ▣	Catalog Number	List Price	App. Wgt. (lbs)	Dimension Key
200-240 Volts	1/2	2.2	200-240	174527.00	2,154	8	G
	1	4.0	200-240	174528.00	2,312	8	G
	1 1/2	5.2	200-240	174529.00	2,419	8	Y
	2	6.8	200-240	174530.00	2,564	10	H
	3	9.6	200-240	174531.00	2,694	11	J
	5	15.2	200-240	174732.00	3,750	11	K
	7 1/2	22.0	200-240	174735.00	4,616	27	Q
	10	28.0	200-240	174738.00	5,758	32	U
400-480 Volts	15	43.0	200-240	174741.00	7,035	40	V
	1	2.0	400-480	174532.00	2,539	8	G
	2	3.4	400-480	174533.00	2,877	10	H
	3	4.8	400-480	174534.00	3,086	10	H
	5	7.6	400-480	174535.00	3,523	11	J
	10	14.0	400-480	174747.00	5,918	11	Q
	15	21.0	400-480	174750.00	7,083	32	U
480-590 Volts	20	27.0	400-480	174753.00	8,742	36	V
	1	1.6	480-590	174536.00	2,759	8	G
	2	2.7	480-590	174537.00	3,080	10	H
	3	3.9	480-590	174538.00	3,332	10	H
	5	6.1	480-590	174539.00	3,770	11	J
	7 1/2	9.0	480-590	174759.00	5,097	13	K
	10	11.0	480-590	174761.00	6,540	17	Q
	15	17.0	480-590	174764.00	7,856	38	U
20	22.0	480-590	174767.00	9,499	40	V	

▣ User programmable for 50Hz and other voltage inputs

Specifications are subject to change without notice

Dimension Table see page 389



AC / DC Controls

Washguard® Micro Series AC Inverters

NEMA® 4X (IP65)

Stainless Steel

Washguard NEMA 4X (IP65) Stainless Steel - Single Phase Input - 230 Volt Three Phase Output

(Use with three phase 230V motor)

HP	Output Amps	Input Voltage ▣	Catalog Number	List Price	App. Wgt. (lbs)	Dimension Key
1/4	1.4	115/230	174519.00	2,107	8	AD
1/2	2.2	115/230	174520.00	2,343	8	X
1	4.0	115/230	174521.00	2,511	11	H
1 1/2	5.2	115/230	174517.00	3,086	11	H
2	6.8	208-230	174525.00	2,640	11	H
3	9.6	208-230	174526.00	2,769	12	J

▣ User programmable for 50Hz and other voltage inputs

Specifications are subject to change without notice

Dimension Table see page 389

Washguard NEMA 4 (IP65) Epoxy Coated - Single Phase Input - 230 Volt Three Phase Output

(Use with three phase 230V motor)

HP	Output Amps	Input Voltage ▣	Catalog Number	List Price	App. Wgt. (lbs)	Dimension Key
1/4	1.4	115/230	174996.00	1,661	8	AD
1/2	2.2	115/230	174998.00	1,813	8	X
1	4.0	115/230	174999.00	1,985	11	H
1 1/2	5.2	115/230	174515.00	2,333	11	H
2	6.8	208-230	174475.00	2,113	11	H
3	9.6	208-230	174729.00	2,238	12	J

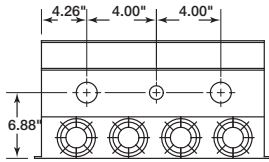
▣ User programmable for 50Hz and other voltage inputs

Specifications are subject to change without notice

Dimension Table see page 389

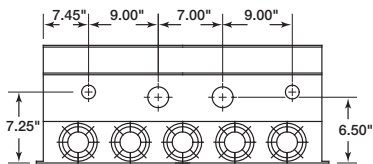


CONDUIT HOLES FOR 174578.00



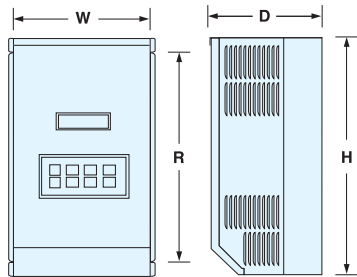
Conduit Holes: Large holes = 1.75"
Small hole = 1.13"

CONDUIT HOLES FOR 174586.00

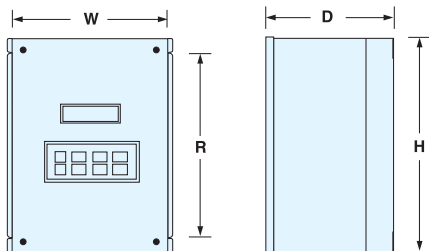


Conduit Holes: Large holes = 3.00"
Small holes = 1.13"

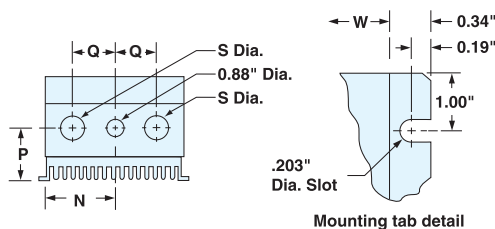
NEMA 1 ONLY



NEMA 4/12 WASHGUARD® ONLY



NEMA 1 & NEMA 4/12



Micro Series Inverter - Dims. (Inches) - NEMA® 1, NEMA 4/12 & NEMA 4X

Dimension Key	H	W	D	N	P	Q	R	S
A	7.50	4.70	3.33	2.35	1.60	1.37	5.50	0.88
B	7.50	4.70	3.63	2.35	1.90	1.37	5.50	0.88
C	7.50	4.70	4.33	2.35	2.60	1.37	5.50	0.88
D	7.50	6.12	4.22	3.77	2.40	1.37	5.50	0.88
E	7.50	6.12	5.12	3.77	3.30	1.37	5.50	0.88
F	7.88	7.86	5.94	5.13	3.95	1.50	5.88	1.13
G	7.88	6.12	4.35	3.06	2.70	1.37	5.88	0.88
H	7.88	7.86	4.90	4.80	3.25	1.37	5.88	0.88
I	9.38	7.86	6.25	5.13	3.95	1.50	7.38	1.13
J	7.88	7.86	5.90	4.80	4.25	1.37	5.88	0.88
K	9.75	10.26	7.20	5.13	5.25	2.00	7.75	1.13
L	11.25	7.86	6.84	3.93	4.19	2.00	7.75	1.38
M	9.38	7.86	6.84	3.93	4.19	2.00	5.88	1.13
N	12.75	7.86	6.84	3.93	4.19	2.00	9.25	1.38
O	12.75	7.86	7.40	3.93	4.19	2.00	9.25	1.38
P	12.75	10.26	7.74	5.13	5.00	2.50	9.25	1.38
Q	11.75	10.26	8.35	5.13	5.75	2.00	9.75	1.13
R	9.38	7.86	7.40	3.93	4.19	2.00	5.88	1.13
S	12.75	10.26	8.25	5.13	5.00	2.50	9.25	1.38
T	15.75	10.26	8.35	5.13	5.75	2.50	12.25	1.38
U	13.75	10.26	8.35	5.13	5.75	2.00	11.75	1.38
V	15.75	10.26	8.35	5.13	5.75	2.00	13.75	1.38
W	19.75	10.26	8.55	5.13	5.75	2.50	16.25	1.75
X	7.88	7.86	3.75	4.80	2.10	1.37	5.88	0.88
Y	7.88	6.12	5.25	3.06	3.60	1.37	5.88	0.88
Z	20.25	10.26	8.35	5.13	5.75	2.00	16.25	1.38
AA	15.75	10.26	8.35	5.13	5.75	2.00	11.75	1.38
AB	21.00	13.72	8.35	5.13	6.10	2.00	16.25	1.38
AC	7.50	6.12	3.63	3.77	1.80	1.37	5.50	0.88
AD	7.88	6.12	3.63	3.06	2.00	1.37	5.88	0.88
AE	25.00	13.00	10.50	5.56	6.50	2.62	-	1.38
AF	47.00	16.64	11.85		SEE CHART			
AG	29.00	16.64	11.85	7.14	6.88	3.12	-	1.75
AH	29.00	24.42	11.85	11.12	6.50	4.50	-	2.50
AI	29.00	36.66	11.85	11.50	9.00	4.50	-	2.50
AJ	37.00	18.00	13.30	7.50	8.00	3.13	7.14	1.75
AK	39.00	26.00	13.30	11.50	9.00	4.50	9.14	2.50
AL	29.00	36.66	11.85		SEE CHART			
AM	31.00	14.00	11.86	6.00	7.50	2.62	5.64	1.38
AN	49.00	18.00	13.30	7.50	8.00	3.13	7.14	1.75
AO	39.00	26.00	13.30	11.50	9.00	4.50	9.14	2.50



AC / DC Controls

Platinum e™ VSD Series

IP20 Enclosure Protection

General Specifications:

- New state of the art inverter designs
- Space saving design: 2.36 in. (60 mm) wide, 5.12 in. (130 mm) deep, also zero-clearance mounting
- RoHS2-Compliance
- Fulfills IE2 according to new EN 50598-2
- Out of the box commissioning
- Easy commissioning with memory module
- Improved usability for easy commissioning
- Parameterization with USB module without external power supply
- Innovative interface options enable set-up times faster than ever before
- The wide-ranging modular system enables various product configurations depending on machine requirements
- Spring loaded control terminals (fixed)
- More functionalities for advanced application
- Fieldbus - CANopen/Modbus (optional)
- VFC Eco mode for more energy savings
- The Platinum e VSD is recommended in applications for pumps and fans, conveyors, formers, winders and machine tools

Features: Three set-up methods

- Keypad - If you only need to set up a few parameters, such as acceleration time, this can be done quickly from the keypad
- Smart Keypad for use with an Android App. Enables adjustment to a simple application such as a conveyor
- Easy Starter - For use if the function is needing a potentiometer or control, for positioning application needs to be set



Keypad



WLAN module



USB module

AC / DC Controls

Platinum e™ VSD Series

IP20 Enclosure Protection

For Use With Three Phase Induction or PMAC Motors

Fieldbus	Input Voltage	HP	Output Amps	Catalog Number	List Price	App. Wgt. (lbs)	Dimensions H x W x D (in)
N/A	230/240 Volts - 1 or 3 Phase	1/3	1.7	176105.00	354	2	6.1 x 2.36 x 5.12
		1/2	2.4	176106.00	415	2	6.1 x 2.36 x 5.12
		3/4	3.2	176107.00	461	2	7.09 x 2.36 x 5.12
		1	4.2	176108.00	491	2	7.09 x 2.36 x 5.12
		1 1/2	6.0	176109.00	569	3	9.84 x 2.36 x 5.12
		2	7.0	176110.00	661	3	9.84 x 2.36 x 5.12
		3	9.6	176111.00	753	3	9.84 x 2.36 x 5.12
CANopen/Modbus	230/240 Volts - 1 or 3 Phase	1/3	1.7	176112.00	445	2	6.1 x 2.36 x 5.12
		1/2	2.4	176113.00	507	2	6.1 x 2.36 x 5.12
		3/4	3.2	176114.00	553	2	7.09 x 2.36 x 5.12
		1	4.2	176115.00	584	2	7.09 x 2.36 x 5.12
		1 1/2	6.0	176116.00	661	3	9.84 x 2.36 x 5.12
		2	7.0	176117.00	753	3	9.84 x 2.36 x 5.12
		3	9.6	176118.00	844	3	9.84 x 2.36 x 5.12
N/A	400/480 Volts - 3 Phase	1/2	1.3	176120.00	597	2	6.1 x 2.36 x 5.12
		3/4	1.8	176121.00	767	2	7.09 x 2.36 x 5.12
		1	2.4	176122.00	644	2	7.09 x 2.36 x 5.12
		1 1/2	3.2	176123.00	706	3	9.84 x 2.36 x 5.12
		2	3.9	176124.00	762	3	9.84 x 2.36 x 5.12
		3	5.6	176125.00	844	3	9.84 x 2.36 x 5.12
CANopen/Modbus	400/480 Volts - 3 Phase	1/2	1.3	176127.00	830	2	6.1 x 2.36 x 5.12
		3/4	1.8	176128.00	859	2	7.09 x 2.36 x 5.12
		1	2.4	176129.00	891	2	7.09 x 2.36 x 5.12
		1 1/2	3.2	176130.00	936	3	9.84 x 2.36 x 5.12
		2	3.9	176131.00	999	3	9.84 x 2.36 x 5.12
		3	5.6	176132.00	1,090	3	9.84 x 2.36 x 5.12

Specifications are subject to change without notice

Accessories	Catalog Number	List Price
Keypad Interface	174356.00	84
USB Interface	174357.00	77
WiFi Direct Interface Module	174358.00	248
Blank Interface Cover (4-pack)	174359.00	39

Specifications are subject to change without notice



AC / DC Controls

Platinum e™ VSD - Plus Series

IP20 Enclosure Protection

General Specifications:

- State of the art inverter designs
- Space saving design: 2.36 in. (60 mm) wide, 5.12 in. (130 mm) deep, also zero-clearance mounting
- RoHS2-Compliance
- Fulfills IE2 according to new EN 50598-2
- Out of the box commissioning
- Easy commissioning with memory module
- Improved usability for easy commissioning
- Parameterization with USB module without external power supply
- The wide-ranging modular system enables various product configurations depending on machine requirements
- The wide-ranging modular system enables various product configurations depending on machine requirements
- The Platinum e VSD is recommended in applications for pumps and fans, conveyors, formers, winders and machine tools
- Pluggable control terminal
- More functionalities for advanced application
- Fieldbus - EtherCAT, EtherNet/IP, Profinet, CANopen, Modbus, Profibus, (options)
- VFC Eco mode for more energy savings
- Innovative interface options enable set-up times faster than ever before

Features: Three set-up methods

- Keypad - If you only need to set up a few parameters, such as acceleration time, this can be done quickly from the keypad
- Smart Keypad for use with an Android App. Enables adjustment to a simple application such a conveyor
- Easy Starter - For use if the function is needing a potentiometer or control for a positioning application needs to be set



For Use With Three Phase Induction or PMAC Motors - Power Units

Input Voltage	HP	Output Amps	Catalog Number	List Price	App. Wgt. (lbs)	Dimensions H x W x D (in)
230/240 Volts - 1 or 3 Phase	1/3	1.7	176133.00	369	2	6.1 x 2.36 x 5.12
	1/2	2.4	176134.00	430	2	6.1 x 2.36 x 5.12
	3/4	3.2	176135.00	475	2	7.09 x 2.36 x 5.12
	1	4.2	176136.00	536	2	7.09 x 2.36 x 5.12
	1 1/2	6.0	176137.00	629	3	9.84 x 2.36 x 5.12
	2	7.0	176138.00	753	3	9.84 x 2.36 x 5.12
	3	9.6	176139.00	905	3	9.84 x 2.36 x 5.12
400/480 Volts - 3 Phase	1/2	1.3	176140.00	738	2	6.1 x 2.36 x 5.12
	3/4	1.8	176141.00	813	2	7.09 x 2.36 x 5.12
	1	2.4	176142.00	891	2	7.09 x 2.36 x 5.12
	1 1/2	3.2	176143.00	1,029	3	9.84 x 2.36 x 5.12
	2	3.9	176144.00	1,145	3	9.84 x 2.36 x 5.12
	3	5.6	176145.00	1,290	3	9.84 x 2.36 x 5.12
	5	9.5	176146.00	1,670	5	9.84 x 3.54 x 5.12
	7 1/2	13.0	176147.00	2,194	5	9.84 x 3.54 x 5.12
	10	16.5	176148.00	2,659	8	10.83 x 4.72 x 5.12
	15	23.5	176149.00	3,402	8	10.83 x 4.72 x 5.12
	20	32.0	176150.00	4,187	23	13.78 x 8.07 x 9.06
	25	40.0	176151.00	5,002	23	13.78 x 8.07 x 9.06
	30	47.0	176152.00	5,829	23	13.78 x 8.07 x 9.06

Specifications are subject to change without notice

Control Units

Type	Catalog Number	List Price
Standard I/O	174362.00	152
Application I/O	174363.00	246
CANopen - Standard I/O	174364.00	246
Modbus-RTU - Standard I/O	174365.00	246
Profibus-DP - Standard I/O	174366.00	308
EtherCat - Standard I/O	174367.00	398
Profinet - Standard I/O	174368.00	430
EtherNet/IP - Standard I/O	174369.00	398

Specifications are subject to change without notice

Accessories	Catalog Number	List Price
Keypad Interface	174356.00	84
USB Interface	174357.00	77
WiFi Direct Interface Module	174358.00	248
Blank Interface Cover (4-pack)	174359.00	39
Remote Keypad Kit	174370.00	202

Specifications are subject to change without notice



AC / DC Controls

AC Control Kits

Dynamic braking components for the Micro Series drives Micro Series Drives can be modified to include dynamic braking. The modifications involve replacing board(s) inside of the drive as well as adding a dynamic braking resistor in a separate enclosure. Larger drives require a combination of dynamic braking board and an additional Form C relay board. Instructions are included with the boards. Also available as a modification, see Mod Squad section.

Dynamic Braking Boards*

Drive HP	Drive Voltage Rating	Catalog Number	List Price	App. Wgt. (lbs)
1/2-3	All	174184.00	509	2
5	200-230V	174185.00	554	2
	460-480V	174185.00	554	2
	550-575V	174184.00	509	2

* Dynamic braking resistors are required with the dynamic braking boards
Specifications are subject to change without notice

Dynamic Braking Boards

With Form C Relay Board*

Drive HP	Drive Voltage Rating	Catalog Number	List Price	App. Wgt. (lbs)
7 1/2	200-230V	174192.00	436	2
10-60	All	174192.00	436	2

* Dynamic braking resistors are required with the dynamic braking boards
Specifications are subject to change without notice

Dynamic Braking Resistors**

Drive HP	Drive Voltage Rating	Catalog Number	List Price	App. Wgt. (lbs)
1/2	200-230V	174178.00	225	1
1	200-230V	174179.00	225	1
	460-480V	174179.00	225	1
	550-575V	174178.00	225	1
1 1/2	200-230V	174179.00	225	1
2	200-230V	174180.00	225	1
	460-480V	174180.00	225	1
	550-575V	174179.00	225	1
3	200-230V	174182.00	317	1
	460-480V	174182.00	317	1
	550-575V	174181.00	317	1
5	200-230V	174183.00	317	1
	460-480V	174183.00	317	1
	550-575V	174182.00	317	1
7 1/2	200-230V	174143.00	366	1
	460-480V	174143.00	366	1
	550-575V	174148.00	366	1
10	200-230V	174143.00	366	1
	460-480V	174143.00	366	1
	550-575V	174148.00	366	1
15-20	200-230V	174144.00	558	1
	460-480V	174144.00	558	1
	550-575V	174149.00	572	1
25-30	200-230V	174145.00	943	1
	460-480V	174145.00	943	1
	550-575V	174140.00	966	1
40	460-480V	174146.00	1,229	1
	550-575V	174141.00	1,229	1
50-60	460-480V	174147.00	1,421	1
	550-575V	174142.00	1,421	1

** Dynamic braking Resistors are provided with mounting brackets
Specifications are subject to change without notice

AC Control Kits



Cable and keypad are purchased separately. Installing the remote keypad and cable involves partially dis-assembling the drive. Instructions are included with the keypad. Also available as a modification, see Mod Squad section.

Remote Keypads & Cables

(For Micro Series, NEMA® 1, Drives*)

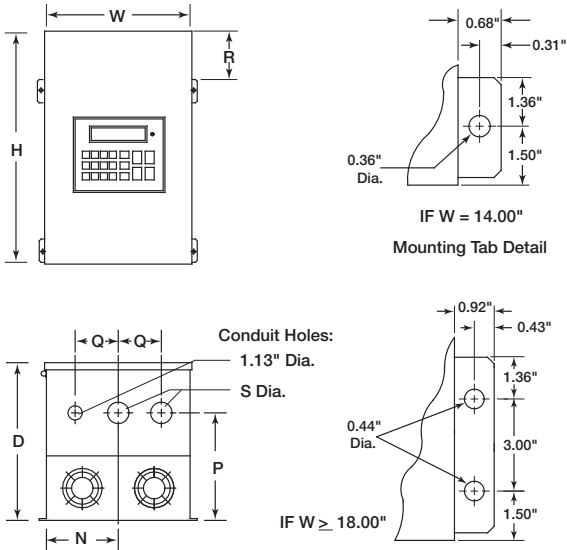
Item	Catalog Number	List Price	App. Wgt. (lbs)
Keypad	174177.00	262	2
2.5 ft. Cable	174174.00	77	2
5 ft. Cable	174175.00	111	2
10 ft. Cable	174176.00	180	2

* Compatible with any Micro Series, NEMA 1, drive.

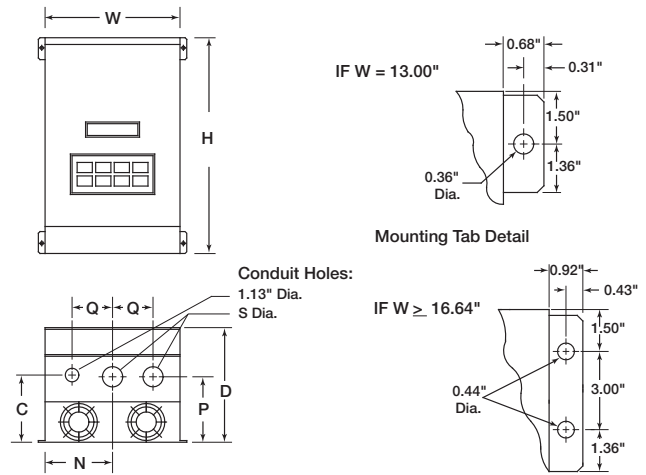
NOTE: Using the remote keypad on a Washguard® Inverter is not recommended, for the control will no longer meet NEMA® 4/12 sealing requirements.

Specifications are subject to change without notice

Type 12 Dimensions for models rated above 30HP at 240/200 VAC and 60 HP at 400/480 VAC



Type 1 Dimensions for models rated above 30HP at 240/200 VAC and 60 HP at 590/480/400 VAC



Electronic Programming Unit

Electronic Programming Unit allows off-line set-up and replication of the drive's plug-in electronic programming module (shown at right). Excellent for multi-drive applications. Keypad input and alphanumeric display simplify programming. RS-232 serial port allows downloading of configuration files from personal computer.



Contact your local sales office for product information

Catalog Number	List Price	App. Wgt. (lbs)
EEPM1RA	1,020	2

EPM Bulk Pack

Plug-in electronic programming modules (EPM). Allow off-line set-up and replication of program using Electronic Programming Unit. Set of 10.

Catalog Number	List Price	App. Wgt. (lbs)
174190.00	226	1

Specifications are subject to change without notice



Inverter Accessory Parts

Discriptor	Catalog Number	List Price
Micro Series Keypad	006707.01	71
Speed Pot (10k/5w pot, washers & nut)	006708.01	74

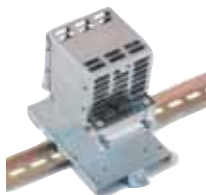
Specifications are subject to change without notice



AC / DC Controls

AC Control Kits

Accessories For The SM, SM-Plus & SM Vector Series Drives



Accessories For The SM2 Flux Vector Series Drives

Dynamic Braking Components for the SM2 Vector Series Drives

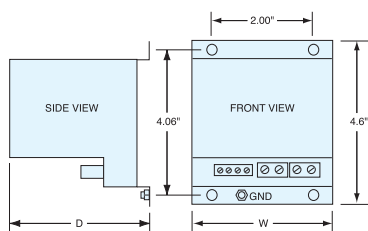


Dynamic Braking Modules With Built-in Dynamic Braking Resistors[ⓐ]

Dynamic braking components are available for the SM, SM-Plus and SM Vector series drives as a separate dynamic braking module. Lower HP modules have the control electronics and the dynamic braking resistor in one convenient package. Larger units require a separate resistor. The modules can be panel or DIN rail mounted.

Drive HP	Motor Voltage Rating	Catalog Number	List Price	App. Wgt. (lbs)
1/4-1/2	208-230V	174400.00	379	2
	400-480V	174406.00	379	2
1 - 1 1/2	208-230V	174401.00	439	3
	400-480V	174407.00	439	3
1 - 1 1/2	480-590V	174412.00	439	3
2 - 3	208-230V	174402.00	596	4
	400-480V	174408.00	596	4
	480-590V	174413.00	596	4
5	208-230V	174403.00	779	5
	400-480V	174409.00	779	5
	480-590V	174414.00	779	5
7 1/2	208-230V	174404.00	985	6
	400-480V	174410.00	985	6
	480-590V	174415.00	985	6
10	208-230V	174405.00	1,189	8
	400-480V	174411.00	1,189	8
	480-590V	174416.00	1,189	8

ⓐ Braking resistors are included with the module and not purchased separately
Specifications are subject to change without notice



Dynamic Braking Modules Without Resistors*

Drive HP	Motor Voltage Rating	Catalog Number	List Price	App. Wgt. (lbs)
15-20	208-230V	174417.00	509	10
15-30	400-480V	174418.00	509	10
15-25	480-590V	174419.00	509	10

*Dynamic braking resistors are purchased and mounted separately
Specifications are subject to change without notice

Dynamic Braking Modules With Built-in Dynamic Braking Resistors[ⓐ]

Dynamic braking components are available for the SM2 Vector Series drives as a separate dynamic braking module. 10 HP and lower modules have control electronics and the dynamic braking resistor in one convenient package. Larger units require a separate resistor. The modules can be panel or DIN rail mounted.

Drive HP	Motor Voltage Rating	Catalog Number	List Price	App. Wgt. (lbs)
1/3-1/2	208 - 230V	174157.00	367	2
	400 - 480V	174158.00	367	2
1 - 1 1/2	208 - 230V	174151.00	431	3
	400 - 480V	174152.00	431	3
	480 - 590V	174153.00	431	3
2 - 3	208 - 230V	174154.00	587	4
	400 - 480V	174155.00	587	4
	480 - 590V	174156.00	587	4
5	208 - 230v	174159.00	764	5
	400 - 480V	174160.00	764	5
	480 - 590V	174161.00	764	5
7 1/2	208 - 230V	174162.00	965	6
	400 - 480V	174163.00	965	6
	480 - 590V	174164.00	965	6
10	208 - 230V	174165.00	1,165	8
	400 - 480V	174166.00	1,165	8
	480 - 590V	174167.00	1,165	8

ⓐ Braking resistors are included with the module and not purchased separately
Specifications are subject to change without notice

Dynamic Braking Resistors**

Drive HP	Motor Voltage Rating	Catalog Number	List Price	App. Wgt. (lbs)
15-20	208-230V	174144.00	498	1
	400-480V	174144.00	498	1
	480-590V	174149.00	510	1
25-30	400-480V	174145.00	840	1
25	480-590V	174140.00	861	1

**Dynamic braking resistors are provided with mounting brackets
Specifications are subject to change without notice

DIN Rail - Mounting Kits

Steel plates and fasteners for mounting drives on standard 35mm DIN rails for panel building. Set of six. 174186 for "A" chassis drives. 174187 for "B" chassis drives. 174188 for "C" chassis drives. Refer to SM Plus and SM Series Dimension Tables for A, B & C listing information.

Catalog Number	List Price	App. Wgt. (lbs)
174186.00	209	3
174187.00	221	3
174188.00	280	3

Specifications are subject to change without notice



SM4 Remote Keypad

Potentiometer kit takes the place of the up/down buttons on the drive's keypad gives operators hands-on speed control over the inverter's speed range.

Use with Width (W) dim. of:	Catalog Number	List Price	App. Wgt. (lbs)
6.28 or 7.12	174693.00	282	2
8.04 or 8.96	174697.00	295	2

Specifications are subject to change without notice



EPM Bulk Pack

Plug-in electronic programming modules (EPM). Allow off-line set-up and replication of program using Electronic Programming Unit. Set of 10.

Catalog Number	List Price	App. Wgt. (lbs)
174190.00	226	1

Specifications are subject to change without notice

Remote Keypad

Remote keypad kit includes eight-foot connecting cable and gasket. Mounted in proper enclosure, the keypad kit will provide up to NEMA® 4 protection.

Drive Type	Catalog Number	List Price	App. Wgt. (lbs)
SM Plus	174191.00	303	2
SM Series	174194.00	246	2
SM2 Vector	174150.00	297	2

Specifications are subject to change without notice



Accessories / Kits

NEMA® D Flange Kits - LEESON® Motors Only



Motor Accessories - Field Installed Steel and Cast Iron Frame Motors

Includes parts to convert a rigid base mounted motor to NEMA D face with base.

Shaded frame indicates cast iron motor kits for 15, G15 and 17 series motors.

NOTE: The D flange kits can only be used on rigid base motors. They will not fit NEMA C face motors.

NEMA Frame	Enclosure	D Flange Kit Catalog Number	List Price	App. Wgt. (lbs)	♥Notes
143T-145T	Enclosed	163115.60	187	6	—
182T-184T	Open / Enclosed	175694.00	336	12	D
—	Open	175101.00	321	13	G
—	Enclosed	175658.60	388	12	G
—	Enclosed	175807.60	388	14	—
213T-215T	Open	175114.60	570	14	—
—	Enclosed	175115.60	570	14	G
—	Enclosed	175959.60	570	14	—
254T-256T	Open	175116.60	730	25	—
—	Enclosed	175192.60	730	25	—
284T/TS-286T/TS	Open	175118.60	873	42	—
—	Enclosed	175119.60	873	52	—
324T/TS-326T/TS	Open	175120.60	1,119	57	G
—	Enclosed	175121.60	1,119	57	—
—	Open	175455.60	1,515	57	—
364T/TS-365T/TS	Open	175955.60	1,319	72	—
—	Enclosed	175657.60	1,319	72	—
—	Open	175602.60	1,647	72	H
—	Enclosed	175604.60	1,647	72	H
404T/TS-405T/TS	Open 4 & 6-pole	175956.60	1,832	90	I
—	Enclosed	175957.60	1,832	90	—
444T/TS-445T/TS	Open 4 & 6-pole	175607.60	2,122	106	I
—	Enclosed 4 & 6-pole	175608.60	2,122	106	I
447T/TS-449T/TS	Enclosed 4 & 6-pole	163104.60	2,200	115	I
—	Enclosed 2-pole	163126.60	2,200	115	—

Shaded frames are for cast iron motors

Specifications are subject to change without notice

Green items Are For Premium Efficient Motors Only

♥Notes:

- D Use this kit for 182-4T and S213T motors with catalog numbers 131454.00 and higher, or with a G prefix
- F For use with 213T-215T 3600 RPM motors only
- G Not for use with Premium efficient motors
- H WATTSaver® e II design built 2007 and later
- I For use with 1200 and 1800 RPM motors only



Accessories / Kits

NEMA® D Flange Kits - LEESON® Motors Only

Motor Accessories - Field Installed LEESON® Ultimate E - Rolled Steel & Cast Iron Motors

Includes parts to convert a rigid base mounted motor to NEMA D-Flange with base.
The C Face Kits cannot be used as replacements on a factory-produced C face motor.
LEESON Ultimate E “B19” Series Cast Iron and Rolled Steel Motors

NEMA Frame	Enclosure	D Flange Kit Catalog Number	List Price	App. Wgt. (lbs)	♥Notes
254T-256T	TEFC	B176205.00	664	85	A
284T/TS-286T/TS	TEFC	B176206.00	907	91	A
324T/TS-326T/TS	TEFC	B176194.00	995	91	A
324T-326T	ODP	B176201.00	995	85	C
324TS-326TS	ODP	B176202.00	943	91	B
364T/TS-365T/TS	TEFC	B176207.00	1,396	105	A
364T-365T	ODP	B176203.00	1,395	105	C
364TS-365TS	ODP	B176204.00	1,396	102	B

Specifications are subject to change without notice

♥Notes:

- A All Poles
- B 2-pole only
- C 4, 6 & 8-pole only

Gearmotors

AC / DC Controls

Accessories / Kits

Mods / Factory Options

X-Ref / Index

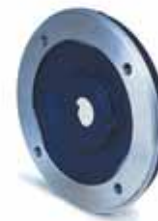
Tech Information

Warnings/Cautions



Accessories / Kits

NEMA® C Face Kits



Motor Accessories - Field Installed

LEESON® Steel Frame Motors

Includes parts to convert a rigid base mounted motor to NEMA C face with base.
The C face kits cannot be used as replacements on a factory-produced C face motor.
For motors with Catalog Numbers 092000–140999

NEMA Frame	Enclosure	C Flange Kit Catalog Number	List Price	App. Wgt. (lbs)	♥Notes
42	Open / Enclosed	175661.00	77	2	—
48	Open / Enclosed	175969.00	71	2	A
		175646.00	71	2	B
556	Open	175000.00	71	2	—
	Enclosed	175180.00	77	2	—
	Open / Enclosed	175297.00	77	2	A
	Open / Enclosed	175647.00	71	2	B
56	Open	175075.00	90	2	—
	Enclosed	175076.00	83	2	—
	Enclosed	LM24808	83	2	G
	Enclosed	LM24810	83	2	H
143T-145T	Open	175181.00	83	2	—
	Enclosed	175077.00	83	2	—
182T-184T	Open / Enclosed	175691.00	100	3	D
182T-184T Special	Open / Enclosed	175294.00	100	5	E
S213T	Open / Enclosed	175693.00	191	2	D
213T-215T	Open	175845.00	191	19	—
(1750, 1140, & 850 RPM)	Enclosed	175844.00	191	15	—
213T-215T	ODP	175303.00	178	15	F
(3450 RPM)	Enclosed	175304.00	178	15	F

Specifications are subject to change without notice

- 1) When changing a rigid mount motor to C Face motor, a non-NEMA BA dimension may result.
For motor BA dimension information, please refer to the chart on the inside back cover flap of this catalog.
- 2) Some larger HP 56-frame motors have larger shaft-end bearings and require a 143T-145T C Face kit.

♥Notes:

- A For use with motors having "K" or "P" suffix on date code.
- B For motors manufactured after January 1, 2007, having a "B" suffix letter after the motor's date code.
- D Use this kit for 182-4T and S213T motors with catalog numbers 131454 and higher, or with a G prefix.
- E Converts a 182T-184T frame motor to the C-face dimensions of a 143T-145T or 182U-184U frame motor
- F For use with 213T-215T 3600 RPM motors only.
- G For use with new Industrial AG motors that start with "117"
- H For use with 56HZ Industrial AG motor 117867.00



Motor Accessories - Field Installed Lincoln Motors™ - Steel Frame Motors

NEMA C Face Kits

Models - SREW, SSEW, SRD, SSD, SRF, SSF, SF

NEMA Frame	SYN RPM	Enclosure	Catalog Number	List Price	App. Wgt. (lbs.)	♥ Notes
56	All	SREW, SRD	LM24631	83	2	1
56	All	SREW, SRD	LM24807	83	2	2
56	All	SRF	LM24808	83	2	1
56	All	SRF	LM24810	83	2	2
143T-145T	All	SSEW, SSD	LM24807	83	2	2
143T-145T	All	SSF	LM24810	83	2	2
182T-184T	All	SSF	LM25736	160	12	
182T-184T	All	SSEW, SRD, SSF	175691.00	100	3	4
213T-215T	All	SSEW, SSD	LM25737	190	15	
213T-215T	All	SSF	LM25738	190	12	
254T-256T	All	SSD	LM25740	244	13	
284T/TS-286T/TS	3600 & 1200	SD	LM24062	556	20	3
324T/TS-326T/TS	All	SD	LM24063	723	47	
324T/TS-326T/TS	All	SF	LM24057	803	33	
364T/TS-365T/TS	All	SD	LM24064	1,210	53	
404T/TS-405T/TS	All	SD	LM24065	1,594	55	
404T/TS-405T/TS	All	SF	LM24059	1,594	53	
444T/TS-445T/TS	3600	SD	LM24066	1,740	80	
444T/TS-445T/TS	1200 & 1800	SD	LM24067	1,740	88	
444T/TS-449T/TS	3600	SF	LM24060	1,927	98	
444T/TS-449T/TS	1800 & 1200	SF	LM24061	1,927	98	
447T/TS-449T/TS	3600	SD	LM24068	1,927	98	
447T/TS-449T/TS	1200 & 1800	SD	LM24069	1,927	98	

Specifications are subject to change without notice

When changing a rigid mount motor to C Face motor, a non-NEMA BA dimension may result.
For motor BA dimension information, please refer to the chart on the inside back cover flap of this catalog.

♥Notes:

- 1 56 frames with 203 drive end bearing
- 2 56 & 143/5T frame motors with a 205 drive end bearing
- 3 For 2-Pole and 6-Pole motors
- 4 Motors built having the letter "M" after the date code



Accessories / Kits

NEMA® C Face Kits

NEW!

Motor Accessories - Field Installed

LEESON® Ultimate E® Motors

Includes parts to convert a rigid base mounted motor to NEMA C face with base. The C face kits cannot be used as replacements on a factory-produced C face motor. LEESON Ultimate E "19" Series cast iron and rolled steel motors and Globetrotter "GT" series.. **Note:** "B" Series Kits can only be used with Ultimate E series motors starting with the letter B or Globetrotter series with "A" suffix on "GT" catalog number..

NEMA Frame	Enclosure	Catalog Number	List Price	App. Wgt. (lbs.)	♥ Notes
182T-184T	TEFC	176024.00	228	14	A ♦
182T-184T	ODP	176064.00	96	14	A
182T-184T	TEFC	B176240.00	210	22	A
182T-184T	ODP	B176271.00	96	18	A
213T-215T	TEFC	176025.00	221	22	A
213T-215T	ODP	176065.00	152	22	A
213T-215T	TEFC	B176025.00	240	22	A1
213T-215T	ODP	B176065.00	161	22	A1
213T-215T	TEFC	B176025.00	240	22	A ♦
254T-256T	TEFC	176026.00	347	32	B
254T-256T	TEFC	176027.00	347	32	C
254T-256T	TEFC	B176026.00	366	32	B1
254T-256T	TEFC	B176027.00	347	32	C1
254TS-256TS	ODP	176066.00	312	32	B
254T-256T	ODP	176067.00	312	32	C
254TS-256TS	ODP	B176066.00	330	32	B1
254T-256T	ODP	B176067.00	330	32	C1
284TS-286TS	TEFC	176028.00	482	38	B
284T-286T	TEFC	176029.00	482	38	C
284TS-286TS	TEFC	B176028.00	508	38	B1
284T-286T	TEFC	B176029.00	482	38	C1
284TS-286TS	ODP	176068.00	484	38	B
284T-286T	ODP	176069.00	484	38	C
284TS-286TS	ODP	B176068.00	511	38	B1
284T-286T	ODP	B176069.00	511	38	C1
324TS-326TS	TEFC	176030.00	626	45	B
324T-326T	TEFC	176031.00	626	45	C
324TS-326TS	TEFC	B176030.00	658	45	A
324TS-326TS	ODP	176070.00	626	45	B
324T-326T	ODP	176071.00	626	45	C
324TS-326TS	ODP	B176070.00	658	45	B
324T-326T	ODP	B176071.00	658	45	C
364TS-365TS	TEFC	176032.00	854	85	B
364T-365T	TEFC	176033.00	854	85	C
364TS-365TS	TEFC	B176032.00	899	85	A
364TS-365TS	ODP	176072.00	841	85	B
364T-365T	ODP	176073.00	841	85	C
364TS-365TS	ODP	B176072.00	884	85	B
364T-365T	ODP	B176073.00	884	85	C
404TS-405TS	TEFC	176034.00	1,076	175	B
404T-405T	TEFC	176035.00	1,076	175	C
404TS-405TS	TEFC	B176034.00	1,132	175	B
404T-405T	TEFC	B176035.00	1,132	175	C
404TS-405TS	ODP	176074.00	779	95	B
404T-405T	ODP	176075.00	779	95	C
404TS-405TS	ODP	B176074.00	820	95	B
404T-405T	ODP	B176075.00	820	95	C
444TS-445TS	TEFC	176036.00	1,504	225	B
444T-445T	TEFC	176037.00	1,504	225	C
444TS-449TS	TEFC	B176036.00	1,584	225	B
444T-449T	TEFC	B176037.00	1,584	225	C
444TS-445TS	ODP	176076.00	1,365	140	B
444T-445T	ODP	176077.00	1,421	140	C
444TS-445TS	ODP	B176076.00	1,436	140	B
444T-445T	ODP	B176077.00	1,495	140	C
447TS	TEFC	176038.00	1,665	250	B
447T-449T	TEFC	176039.00	1,665	225	C

When changing a rigid mount motor to C face motor, a non-NEMA BA dimension may result. For motor BA dimension information, please refer to the chart on the inside back cover flap of this catalog.

- ♥ Notes:
- A All Poles
 - B 2-pole only
 - C 4 & 6-pole only
 - A1 All Poles with Catalog numbers starting with B
 - B1 2-Poles with Catalog numbers starting with B
 - C1 4 & 6 Poles with Catalog numbers starting with B
 - ♦ Rolled Steel frame motors only

Specifications are subject to change without notice



Motor Accessories - Field Installed LEESON® Cast Iron Motors

Includes parts to convert a rigid base mounted motor to NEMA C face with base.
The C face kits cannot be used as replacements on a factory-produced C face motor.
For 15, G15 and 17 Series cast iron motors only.

NEMA C Face Kits

NEMA Frame	Enclosure	Catalog Number	List Price	♥ Notes
143T-145T	Enclosed	163116.60	187	B
182T-184T	Enclosed	175805.60	247	B
182T-184T	Enclosed	175804.60	247	E
213T-215T	Open	175066.60	247	B
	Enclosed	175068.60	247	G
	Enclosed	175869.60	247	B
254T-256T	Open	175067.60	377	B
	Enclosed	175191.60	377	B
284T/TS-286T/TS	Open	175058.60	523	B
	Enclosed	175061.60	523	B
324T/TS-326T/TS	Open	175059.60	680	G
	Open	175454.60	680	B
	Enclosed	175062.60	680	B
364T/TS-365T/TS	Open	175060.60	1,135	B
	Enclosed	175063.60	1,135	B
	Open	175601.60	1,135	H
	Enclosed	175603.60	1,135	H
404T/TS-405T/TS	Open	175605.60	1,492	B
	Enclosed	175199.60	1,492	B
444T/TS-445T/TS	Open	175606.60	1,633	B
	Enclosed	175664.60	1,633	B
447T/TS-449T	Enclosed 4 & 6-pole	175958.60	1,808	B
	Enclosed 2-pole	176004.60	1,808	B

Specifications are subject to change without notice

Green items Are For Premium Efficient Motors Only

When changing a rigid mount motor to C face motor, a non-NEMA BA dimension may result.
For motor BA dimension information, please refer to the chart on the inside back cover flap of this catalog.

♥Notes:

- B C-Face kit can be used with either an EPAct or Premium Efficient motor
- E For use to replace the C-Face on a 182/184TC frame motor only**
- G Not for use with Premium efficient motors
- H For 364T/TS -365T/TS frame motors built 2007 and later



Accessories / Kits

NEMA® C Face Kits

IEEE-841 Motors C Face Kits

NEMA C Face Kits

NEMA Frame	Catalog Number	List Price	App. Wgt. (lbs.)	♥ Notes
143T - 145T	175787.00	239	7	—
182T-184T	175788.00	358	10	—
213T-215T	175789.00	427	16	—
254T-256T	175790.00	506	35	—
284T/TS-286T/TS	175791.00	661	47	—
324T/TS-326T/TS	175794.00	765	89	—
364T-365T	175795.00	1,204	95	—
364TS-365TS	175796.00	1,056	91	—
404T-405T	175797.00	1,345	129	—
444T-445T	176056.00	2,315	175	Model #s containing THFS
444TS-445TS	176057.00	2,315	108	Model #s containing TSHFS
444T-445T	176058.00	2,315	201	Model #s containing THFN
444TS-445TS	176059.00	2,315	199	Model #s containing TSHFN

Specifications are subject to change without notice

When changing a rigid mount motor to C face motor, a non-NEMA BA dimension may result

NEMA C Face Kits - Lincoln Motors™ Cast Iron Frame

NEMA Frame	SYN RPM	Enclosure	Catalog Number	List Price	App. Wgt. (lbs.)	♥ Notes
143T	All	CCN, CCF, CCS	LM24811	83	7	
145T	All	CCN, CCF, CCS	LM24815	98	7	
182T-184T	All	CCF, CCS	LM25736	160	12	
182T-184T	All	CCF	175805.60	247	12	5
213T-215T	All	CCF, CCS	LM25739	190	20	
213T-215T	All	CCF	175869.60	247	15	5
254T-256T	All	CCF, CCS	LM27681	326	36	
254T-256T	All	CCD	LM31014	244	15	
254T-256T	All	CCF	175191.60	377	25	5
284T-286T	All	CCF, CCS	LM27576	453	42	
284T/TS-286T/TS	All	CCD	LM31019	453	35	
284T/TS-286T/TS	All	CCF	175061.60	523	42	5
324T/TS-326T/TS, 324U/US-326U/US	All	CCF, CCS	LM28624	653	78	
324T/TS-326T/TS	All	CCF	175062.60	680	57	5
364T-365T	All	CCF, CCS	LM32284	986	78	
364T/TS-365T/TS	All	CCF	175603.60	1,135	75	5
364TS-365TS	All	CCF, CCS	LM32285	1,037	78	
364U-365U	All	CCF, CCS	LM32286	1,037	78	
404T-405T, 404U-405U	All	CCF, CCS	LM28501	1,298	85	
404TS-405TS	All	CCF, CCS	LM32288	1,364	85	
404T/TS-405T/TS	All	CCF	175199.60	1,492	60	5
444T-445T	All	CCF, CCS	LM32290	1,406	96	
444TS-445TS	All	CCF, CCS	LM32291	1,406	96	
444T/TS-445T/TS	All	CCF	175664.60	1,633	115	5
447T-449T	1800 & 1200	CCF, CCS	LM32292	1,555	98	
447TS-449TS	3600	CCF, CCS	LM32293	1,555	98	
447T-449T	1800 & 1200	CCF	175958.60	1,808	112	5
447TS-449TS	3600	CCF	176004.60	1,808	112	5

Green items Are For Premium Efficient Motors Only

Specifications are subject to change without notice

When changing a rigid mount motor to C face motor, a non-NEMA BA dimension may result.

For motor BA dimension information, please refer to the chart on the inside back cover flap of this catalog.

♥Notes: 5 For Lincoln CI motors that start with LM6 and model numbers ending with AP21



Motor Accessories - Field Installed
Lincoln Motors™ - Aluminum Frame Motors

NEMA Frame	SYN RPM	Enclosure	Catalog Number	List Price	App. Wgt. (lbs.)	♥ Notes
182T-184T	All	AAF	LM26679	190	10	
182T-184T	All	AAF	175691.00	100	10	6
213T-215T	All	AAF	LM30146	220	15	
254T-256T	All	AF/AAF	LM30147	326	26	
284T/TS-286T/TS	All	AF/AAF	LM20116	453	28	

Specifications are subject to change without notice

When changing a rigid mount motor to C face motor, a non-NEMA BA dimension may result.

For motor BA dimension information, please refer to the chart on the inside back cover flap of this catalog.

♥Notes:

6 For Lincoln AL motors where the model numbers end with AP26

Kits and Accessories
Rodent Screen Kits

NEMA Frame	Enclosure	Catalog Number	List Price	App. Wgt. (lbs.)
182T-184T	Open	175872.00	165	1
213T-215T	Open	175871.00	295	1
254T-256T	Open	175873.00	424	2
284T-286T	Open	175874.00	424	3
324T	Open	175894.00	994	5
326T	Open	175875.00	994	5

Shaded frames are for cast iron motors

Specifications are subject to change without notice

Wattsaver "17" series rolled steel motors that have the suffix letter "M" in date code

Chemical Service/
Severe Duty Conversion Kits



For use with LEESON® Cast Iron Wattsaver e motors and "G15" series motors.

Cast iron fan covers for cast iron motors. Designed to easily convert TEFC motors to all cast iron construction. All these motors have inert, corrosion resistant fiber filled thermoplastic fan as standard. Kit includes one cast iron fan cover.

NEMA Frame	IEC Frame	Catalog Number	List Price	App. Wgt. (lbs.)
182T-184T	—	175663.60	292	10
213T-215T	—	175050.60	426	12
254T-256T	160	175051.60	572	18
284T-286T	180	175052.60	998	22
324T-326T	200	175053.60	1,043	29
364T-365T	225	175054.60	1,557	39
404T-405T	250	175055.60	1,695	49
444T-445T	280	175056.60	1,921	59
447T-449T	—	175891.60	1,921	112

Specifications are subject to change without notice



Accessories / Kits

Gearmotors

AC / DC Controls

Accessories / Kits

Mods / Factory Options

X-Ref / Index

Tech Information

Warnings/Cautions

LEESON® Ultimate E - Cast Iron Motors

Includes parts to convert a TEFC motor to have a Cast Iron Fan Guard
LEESON Ultimate E "B19" Series Cast Iron Motors

Severe Duty Conversion Kits

NEMA Frame	Catalog Number	List Price	App. Wgt. (lbs.)
182T-184T	B176243.00	210	45
324T/TS-326T/TS	B176196.00	400	68
364T/TS-365T/TS	B176197.00	459	75
404T/TS-405T/TS	B176198.00	523	150
444T/TS-445T/TS	B176199.00	519	157
447T/TS-449T/TS	B176200.00	1,400	175

LEESON - Ultimate E Motors

Includes parts to convert a TEFC motor to have a Plastic Fan Guard
LEESON Ultimate E "B19" Series Motors

Plastic Fan Guard Kits

NEMA Frame	Catalog Number	List Price
182T-184T	B176237.00	45
213T-215T	B176238.00	66
254T-256T	B176239.00	86

Cast Iron Conduit Box Kits

Motor Accessories - Field Installed

LEESON - Ultimate E - Cast Iron Motors

Includes parts to convert a TEFC motor to have a Cast Iron Conduit Box
LEESON Ultimate E "B19" Series Cast Iron Motors

Cast Iron Conduit Box Kits

NEMA Frame	Catalog Number	List Price	App. Wgt. (lbs.)
182T-184T	B176242.00	220	12
254T-256T	B176209.00	592	12
284T/TS-286T/TS	B176210.00	667	35
324T/TS-326T/TS	B176211.00	771	39
364T/TS-365T/TS	B176212.00	1,298	42
404T/TS-449T/TS	B176213.00	1,670	55



Q-Car™ Replacement Kits - Extreme Duck® Ultra Motors

Used to change out the Rotor and Shaft assemblies for LEESON® Extreme Duck Ultra motors

- The Q-Car rotor cartridge replacement kit makes replacing worn bearings ultra simple. No special tools, no damaged seals.
- Allows for quick access to the motor interior.
- The kit ensures a perfectly fitted and watertight bearing with no additional machining required in a matter of minutes.

Kit #	Motor where used	Kit Description	List Price
176250.00	117119.00, 117127.00	1/2 HP, 1800RPM, 56 FR - TENV design	\$362
176294.00	117118.00, 117126.00	1/2 HP, 3600RPM, 56C FR - TENV design	\$362
176295.00	117120.00, 117128.00	3/4 HP, 3600RPM, 56C FR - TENV design	\$362
176251.00	117121.00, 117129.00	3/4 HP, 1800RPM, 56 FR - TENV design	\$362
176297.00	103414.00	3/4 HP, 1800RPM, S56C FR - TEFC design	\$362
176252.00	117122.00, 117130.00	1 HP, 3600RPM 56 FR - TENV design	\$356
176253.00	119975.00, 119976.00	1 HP, 1800RPM, 56FR - TENV design	\$409
176254.00	119511.00, 119512.00	1 HP, 1800RPM, 56 FR - TEFC design	\$409
176255.00	122219.00	1 HP, 1800RPM, 143TC FR - TEFC design	\$413
176261.00	119520.00, 119522.00	1 1/2 HP, 1800RPM, 56C FR - TEFC design	\$418
176296.00	121879.00, 121908.00	1 1/2 HP, 3600RPM, 56C FR - TEFC design	\$432
176256.00	121880.00, 121909.00	1 1/2 HP, 1800RPM, 143TC FR - TEFC design	\$432
176258.00	119523.00, 119524.00	2 HP, 1800RPM, 56 FR - TEFC design	\$431
176257.00	121881.00, 121910.00	2 HP, 3600RPM, 145TC FR - TEFC design	\$427
176259.00	121882.00, 121911.00	2 HP, 1800RPM, 145TC FR - TEFC design	\$436
176298.00	119530.00, 119531.00	3 HP, 3600RPM, S56C FR - TEFC design	\$498



Accessories / Kits

Drip-Cover Kits

For Drip-Proof Motors LEESON® Motors Only



Each kit includes one drip-cover. Designed to protect drip-proof motors from rain, snow and ice when mounted outdoors in a vertical position.

Frame	Catalog Number	List Price	App. Wgt. (lbs.)	♥ Notes
48-S56	175003.00	65	2	—
48-S56	175298.00	65	2	A
56	175004.00	76	2	—
143T-145T	175792.00	76	2	A
182T-184T	175614.00	95	3	—
182T-184T	175961.00	89	3	—
213T-215T	175846.00	134	12	—
213T-215T	175305.00	134	12	F
213T-215T	175962.00	134	4	—
254T-256T	175963.00	172	7	—

♥Notes:

- A For use with motors having "K" or "P" suffix on date code
- F For use with 213T-215T 3600 RPM motors only

Specifications are subject to change without notice

Shaded frames are for cast iron motors

Lint-Cover / Drip-Cover Kit

For TEFC Motors - LEESON® Motors Only

Frame	Catalog Number	List Price	App. Wgt. (lbs.)	♥ Notes
56-143T-145T	175024.00	128	2	B
56-143T-145T	175778.00	118	2	B, J
182T-184T	175695.00	228	3	D
213T-215T	175849.00	134	12	K

♥Notes:

- B For motors having the letter "B" after the date code
- D Use this kit for 182-4T and S213T motors with catalog numbers 131454 and higher or with a G prefix
- J For motors having face mounted fan guard
- K For use with 1800 RPM motors only

Specifications are subject to change without notice
For steel frame motors only

Lint-Cover / Drip-Cover Kit

For Cast Iron - TEFC Motors - LEESON Motors Only Wattsaver® and "G15" Series Motors

NEMA® Frame	Catalog Number	List Price	Add. Motor Length (Inches)
TEFC 210 frame	176044.60	219	2.0
TEFC 250 frame	176045.60	312	2.0
TEFC 280 frame	176046.60	420	2.0
326T - 2-pole	176053.60	573	2.2
TEFC 320 frame 4 & 6-pole	176047.60	573	2.2
TEFC 360 frame (small stator)	176048.60	696	2.4
TEFC 360 frame (Motors built after 2007)	176049.60	933	2.8
TEFC 400 frame	176050.60	933	2.8
TEFC 440 frame 2-pole	176051.60	1,059	3.2
440 - 4 & 6-pole	176054.60	1,059	3.2
TEFC 447/9 frame 2 pole	176052.60	1,140	3.6
447/9T - 4 & 6-pole	176055.60	1,140	3.6

Specifications are subject to change without notice
For use with catalog numbers that begin with "17" or "G15"



Motor Accessories - Field Installed
LEESON® - Ultimate E® - Cast Iron Motors

Includes parts to convert an ODP or TEFC motor to have a Drip Cover
LEESON Ultimate E "B19" Series Cast Iron Motors

Drip Cover Kits

Frame	Enclosure	Catalog Number	List Price	App. Wgt. (lbs.)	♥ Notes
182T-184T	TEFC	B176241.00	235	60	C, A
213T-215T	TEFC	B176214.00	256	60	C, A
213T-215T	TEFC	B176230.00	256	60	S, A
254T-256T	TEFC	B176215.00	440	39	A
284T/TS-286T/TS	TEFC	B176216.00	511	55	A
324T/TS-326T/TS	TEFC	B176217.00	528	55	A
364T/TS-365T/TS	TEFC	B176218.00	580	76	A
404T/TS-405T/TS	TEFC	B176219.00	773	75	A
444T/TS-445T/TS	TEFC	B176220.00	826	115	A
447T/TS-449T/TS	TEFC	B176221.00	833	91	A
213T-215T	ODP	B176222.00	178	12	A
254T-256T	ODP	B176223.00	348	60	A
284T/TS-286T/TS	ODP	B176224.00	483	39	A
324T/TS-326T/TS	ODP	B176225.00	574	38	A
364T/TS-365T/TS	ODP	B176226.00	465	55	A
404T/TS-405T/TS	ODP	B176227.00	683	76	A
444T/TS-449T/TS	ODP	B176228.00	744	75	A

♥Notes:

- A All Poles
- C Cast iron frame motors only
- S Rolled Steel frame motors only

Specifications are subject to change without notice



Accessories / Kits

JP Pump Drip Cover Kits

NEMA® Frame	Enclosure	Catalog Number	List Price	♥ Notes
56-145JP	ODP or TEFC	175932.00	41	—
182JP-184JP	ODP	175614.00	95	—
213JP-215JP	ODP	175305.00	134	L

Specifications are subject to change without notice

♥Notes:

L For use with 213T-215T (213JP-215JP) 3600 RPM motors only

Motor Accessories - Blower Fan Kits

Field Installed LEESON® Motors Only



These kits are used for converting LEESON motors to totally enclosed blower cooled motors. Cooling per MG1.6 (IC46) The kits are designed for inverter and vector drive applications where continuous cooling is required regardless of motor shaft speed. The kit is mounted on the back of the motor after removing the fan guard and fan. Modifying the shaft is not required.

Blower Fan Kits

For use with Rolled Steel TEFC Motors only

Blower Voltage	Blower Motor Phase	NEMA Frame	Catalog Number	List Price	CFM	App. Wt. (lbs.)
115	1	56-145T	175775.00[^]	1,033	115	4
115	1	182-4T	175895.00[♣]	1,157	115	4
115	1	213-5T	175896.00[♣]	1,208	235	5

Specifications are subject to change without notice

[^] For 56/145T motors having face mounted (plastic) fan guards

[♣] For rolled steel motors having the letter "M" after the date code

Blower Fan Kits

For use with 150, G150 & 170 Series Cast Iron TEFC Motors only

Blower Voltage	Blower Motor Phase	NEMA Frame	Catalog Number	List Price	CFM	App. Wt. (lbs.)
115	1	182-4T	175674.00	1,157	260	10
115	1	213-5T	175675.00	1,209	260	11
115	1	254-6T	175676.00	1,298	260	17
115	1	284-6T	175677.00	1,559	500	24
115	1	324-6T	175678.00	1,662	500	28
230/460	3	360T	175879.00	3,449	500	35
230/460	3	360T	176002.00 [◇]	3,828	500	35
230/460	3	400T	175880.00	3,828	500	45
230/460	3	444T/445T	175558.00	4,382	500	55

Specifications are subject to change without notice

[◇] Use with 360T frame motors built 2007 and later





Accessories / Kits

Encoder Kits LEESON® Motors Only

Specifications:

These kits include the parts and encoder for field assembly of slim-line, through-shaft encoder designed to slip over the motor's fan end shaft. Blower kit sold separately.

Features:

- Output is 1024 pulses per revolution
- 5 to 28 VDC line driver output. Short-circuit protection is standard. Inputs are over voltage and reverse voltage protected. Electrical noise immunity exceeds international standards. Encoders are isolated from shaft currents using hard anodized sleeves and non metallic anti-rotation hardware. Designed for long-life in industrial environments using an all-metal, shock resistant code disk. The encoder is protected by the motor's fan cover after mounting. Using a blower fan kit is suggested for proper motor cooling.
- Short circuit protection
- Isolated from shaft currents
- Shock resistant code disks
- Use with blower kits to protect and cool motors

Encoder Kits - Cast Iron Watt saver® Motors

For use with 150, G150 & 170 series cast iron TEFC motors only

NEMA® Frame	Catalog Number	List Price
182-4T	175684.00	1,800
213-5T	175685.00	1,800
254-6T	175686.00	2,905
284-6T	175687.00	2,905
320T	175641.00	2,962
360T	175642.00	2,962
400T	175643.00	2,962
444TS (2 pole)	175644.00	2,962
444T (4/6 pole)	175645.00	2,962

Specifications are subject to change without notice

Encoder Kits

For use with rolled steel, TEFC motors only

NEMA Frame	Catalog Number	List Price
56-145T	175960.00	1,450
182-4T	175897.00	2,101
213-5T	175898.00	2,101

Specifications are subject to change without notice

Speedmaster® Motors

For use with LEESON Speedmaster 2000:1, 810000 series inverter duty motors only

Encoder Description	Enclosure	Frame	Brand / Mod	PPR	Catalog Number	List Price
Modular Mount, 5-15 VDC, with EPIC connector	TENV	143-256T	Northstar SL56	1024	E175927.00	4,056
Shaft Mount, 5-26 VDC, with 10 pin connector	TENV	143-256T	Dynapar HS35	1024	E175928.00	2,605
Shaft Mount, 5-26 VDC, with 10 pin connector	TENV	143-256T	BEI HS35	1024	E175929.00	2,605
Shaft Mount, 5-26 VDC, with 10 pin connector	TENV	143-256T	Dynapar HS35	2048	E175930.00	2,605
Shaft Mount, 5-26 VDC, with 10 pin connector	TENV	143-256T	BEI HS35	2048	E175931.00	2,605
Modular Mount, 5-15 VDC (Encoder Conduit Box Required)	TEBC	284-449T	Northstar SL56	1024	E175921.00	4,056
Shaft Mount, 5-26 VDC (Encoder Conduit Box Required)	TEBC	284-449T	Dynapar HS35	1024	E175922.00	2,605
Shaft Mount, 5-26 VDC (Encoder Conduit Box Required)	TEBC	284-449T	BEI HS35	1024	E175923.00	2,605
Shaft Mount, 5-26 VDC (Encoder Conduit Box Required)	TEBC	284-449T	Dynapar HS35	2048	E175924.00	2,605
Shaft Mount, 5-26 VDC (Encoder Conduit Box Required)	TEBC	284-449T	BEI HS35	2048	E175925.00	2,605
Conduit Box Required for all TEBC Units	—	—	—	—	ECB175926.00	289

Specifications are subject to change without notice



Accessories / Kits

Terminal Block Kits



Terminal block kits for 15 and 17 series NEMA® frame cast iron motors. Can also be used for replacement on 193 series cast iron and 192 series aluminum IEC metric motors.

NEMA Frame	IEC Frame	Catalog Number	List Price	App. Wgt. (lbs.)
—	63-90L	175881.00 ≠	24	1
180/210T	100/112/132	175668.60	49	2
250/280T	160/180	175667.60	55	3
320/360T	200/225	175666.60	85	4
400/440T	250/280	175665.60	131	5

Specifications are subject to change without notice

≠ Replacement terminal board for aluminum frame IEC motors

Accessories / Kits

Die Cast Aluminum Conduit Box Conversion Kit LEESON® Motors Only



56/140-frame kit (pictured) includes die cast aluminum conduit box, cover, gaskets, grounding screw, mounting hardware and adapter plate for mounting box on existing holes in motor. 180 and 210-frame kits include all parts required to replace the conduit box including the die cast conduit box, plug, cover, gaskets and mounting hardware. No adapter plate is required because these kits mount on existing holes. All conduit boxes have 1/2-NPT tapped lead exit holes on two adjacent sides with one hole plugged.

Note: the kit will not work with larger HP single-phase 210-frame motors.

Die Cast Aluminum Conduit Box

NEMA Frame	Catalog Number	List Price	App. Wgt. (lbs.)
56-140T	175892.00 ^	96	2
182-4T	175649.00 *	116	2
213-5T	175847.00 *	140	11

Specifications are subject to change without notice

^ - For use with motors having the letter "B" after the date code

* - For use with motors having the letter "M" after the date code



Explosion-Proof Conduit Box

UL and CSA listed for Class I, Group C & D, and Class II, Groups E, F & G locations. Has grounding screw and all hardware provided. Mounts to motor by 3/4"-14NPT opening at rear of box. For NEMA 56 & 143-5T frame motors only. Box number 175755.00 has a 1" NPT thread.

Catalog Number	List Price	App. Wgt. (lbs.)
175026.00	131	2
175755.00 (1)	131	2

Specifications are subject to change without notice

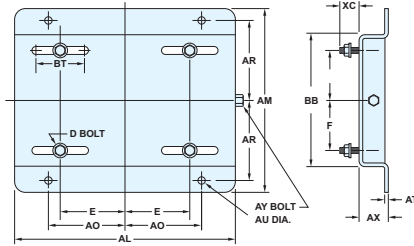
(1) For motors having a letter P after the date code.



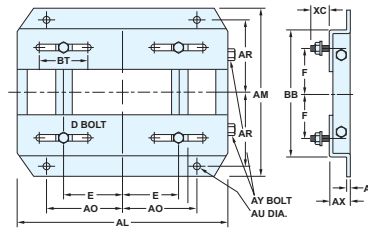
Adjustable Motor Bases - NEMA® 48-449T Frames

Heavy gauge steel mounting bases simplify the installation of motors and make the tensioning, maintenance and replacement of belts a simple efficient task. Fabricated from sheet or steel plate, then primed and finished in a gray rust and corrosion resistant oven-baked finish. Gussets and reinforcing channels on larger units and continuous seam welding on all units give these bases

strength and durability for a long life. A single (215T frame and smaller) or double (NEMA 254T frame and larger) zinc plated adjusting screw is provided. Motor mounting bolts are included. Adjustable motor bases are designed to mount to your existing motor's base.



NEMA 48 thru 215T



NEMA 254T thru 449T

NEMA Frame	Catalog Number	AL	AM	AX	BB	E	F	AO	AR	AU**	BT	AT	XC	D* Bolt	AY Bolt	App. Wgt. (lbs.)
48	175032.00	98	10	61/4	11/8	21/8	138	31/2	23/4	3/8	3.00	0.08	7/8	5/16 x 1	3/8 x 4	2
56	175033.00	98	105/8	61/2	11/8	27/16	112	313/16	27/8	3/8	3.00	0.08	7/8	5/16 x 1	3/8 x 4	3
143T	175034.00	118	101/2	71/2	11/8	23/4	2	33/4	33/8	3/8	3.00	0.12	13/16	5/15 x 1	3/8 x 4	5
145T	175035.00	118	101/2	81/2	11/8	23/4	21/2	33/4	37/8	3/8	3.00	0.12	13/16	5/15 x 1	3/8 x 4	6
182T	175036.00	152	123/4	91/2	11/2	33/4	21/4	41/2	41/4	1/2	3.00	0.13	11/2	3/8 x 13/4	1/2 x 5	9
184T	175037.00	152	123/4	101/2	11/2	33/4	23/4	41/2	43/4	1/2	3.00	0.13	11/2	3/8 x 13/4	1/2 x 5	9
213T	175038.00	189	15	11	13/4	41/4	23/4	51/4	43/4	1/2	31/2	0.16	11/2	3/8 x 13/4	1/2 x 5	13
215T	175039.00	189	15	121/2	13/4	41/4	31/2	51/4	51/2	1/2	31/2	0.16	11/2	3/8 x 13/4	1/2 x 5	15
254T	175040.00	287	173/4	151/8	2	5	41/8	61/4	65/8	5/8	4.00	3/16	17/16	1/2 x 13/4	5/8 x 6	17
256T	175041.00	287	173/4	167/8	2	5	5	61/4	71/2	5/8	4.00	3/16	17/16	1/2 x 13/4	5/8 x 6	18
284T	175042.00	312	193/4	167/8	2	51/2	43/4	70	71/2	5/8	41/2	3/16	111/16	1/2 x 2	5/8 x 6	21
286T	175043.00	312	193/4	183/8	2	51/2	51/2	70	81/4	5/8	41/2	3/16	111/16	1/2 x 2	5/8 x 6	22
324T	175044.00	412	223/4	191/4	21/2	61/4	51/4	8.0	81/2	3/4	51/4	3/16	23/16	5/8 x 21/2	3/4 x 9	31
326T	175045.00	412	223/4	203/4	21/2	61/4	6	8.0	91/4	3/4	51/4	3/16	23/16	5/8 x 21/2	3/4 x 9	32
364T	175046.00	543	251/2	201/2	21/2	7	55/8	9.0	91/8	3/4	6.00	1/4	21/16	5/8 x 21/2	3/4 x 9	44
365T	175047.00	543	251/2	211/2	21/2	7	61/8	9.0	95/8	3/4	6.00	1/4	21/16	5/8 x 21/2	3/4 x 9	45
404T	175048.00	976	283/4	223/8	3	8	61/8	10.0	97/8	7/8	7.00	1/4	21/2	3/4 x 3	3/4 x 11	60
405T	175049.00	976	283/4	237/8	3	8	67/8	10.0	105/8	7/8	7.00	1/4	21/2	3/4 x 3	3/4 x 11	61
444T	175088.00	1208	311/4	245/8	3	9	71/4	11.0	11.0	7/8	71/2	1/4	21/2	3/4 x 3	3/4 x 11	68
445T	175089.00	1208	311/4	265/8	3	9	81/4	11.0	12.0	7/8	71/2	1/4	21/2	3/4 x 3	3/4 x 11	73
447T	175090.00	1332	311/4	301/8	3	9	10	11.0	133/4	7/8	71/2	5/16	3	3/4 x 31/2	3/4 x 11	92
449T	175302.00	1332	311/4	351/8	3	9	121/2	11.0	161/4	7/8	71/2	5/16	3	3/4 x 31/2	3/4 x 11	95

* Motor mounting bolt diameter and length, four supplied with each base

** Base mounting bolts, four required—not supplied with base

Specifications are subject to change without notice
NOTE: These bases are not suitable for vertical mounting
All dimensions in inches

Transition Bases

Transition bases compensate for the difference in mounting dimensions and shaft height of a rigid base NEMA T frame to the next higher NEMA U frame. This makes it possible, for example, to replace a 10 HP NEMA 254U frame motor with a 10 HP NEMA 215T frame motor without modifying the basic installation. Made of the same high-quality materials and construction as the

adjustable motor bases above. They are for horizontal mountings, shimming may be needed for direct coupled loads. Thread size listed is for mounting transition base to the "T" frame motor. Dimensions listed are for one piece—two are supplied, one for each side of the motor's foot.

Converts T Frame	To U Frame	Catalog Number	List Price	App. Wgt. (lbs.)	Height (Inches)	Width (Inches)	Thread
143T/145T	182/184	175091.00	100	2	1	2 1/4	5/16-18
182T/184T	213/215	175092.00	146	3	3/4	1 3/4	3/8-16
213T/215T	254U/256U	175093.00	172	5	1	2 7/16	3/8-16
254T/256T	284U/286U	175094.00	241	8	3/4	2 3/4	1/2-13
284T/286T	324U/326U	175095.00	321	10	1	3 1/4	1/2-13
324T/326T	364U/365U	175097.00	406	13	1	3 11/16	5/8-11
364T/365T	404U/405U	175098.00	543	22	1	4 1/4	5/8-11
404T/405T	444U/445U	175127.00	695	24	1	4 1/4	3/4-10

Specifications are subject to change without notice



Accessories / Kits

CE Field Conversion Kits

Lincoln Motors™ Only

Three Phase Motors Only

Model Numbers Beginning With:	Model Efficiency Code(s)	Frame Size	Catalog Number	List Price	App. Wgt. (lbs.)	♥ Notes
SD & SSD	P, B	143T-184T	LM22093	248	2	—
		213T-215T	LM22188	248	2	—
		254T-256T	LM25632	248	2	—
		284T-326T	LM12429	274	2	2
		364T-365T	LM12430	822	2	1
		404T-405T	LM12454	1,327	35	1
		444T-445T	LM12463	1,716	40	1
		447T-449T	LM12479	1,716	40	1
AF & SF (also includes AB, AN & SB)	S, H	143T-145T	LM08476	248	2	—
		182T-184T	LM08478	248	2	—
		213T-215T	LM08582	359	2	—
		254T-256T	LM08664	359	5	—
		284T-286T	LM08665	359	2	3
		324T-326T	LM08709	359	2	3
		364T-365T	LM08720	408	2	3
		404T-405T	LM08738	408	2	3
AF, AAF & SSF	S,PB	143T-145T	LM18872	194	2	—
		182T-184T	LM18873	248	2	—
AF & SF	P, B	213T-215T	LM18874	248	1	—
		254T-256T	LM18875	248	2	—
		284T-286T	LM18876	359	1	—
		324T-326T	LM18866	441	3	—
		364T-365T	LM18868	382	35	1
		404T-405T	LM18869	408	3	—
		444T-445T	LM18870	668	4	—
		447T-449T	LM18871	1,484	40	1
CS, CCF & CCS (excludes those motors with NN in NOTES column)	P, B	143T-184T	LM18864	248	2	—
		213T-256T	LM18865	248	2	—
		284T-326T	LM18866	359	3	—
		364T-405T	LM18867	408	3	—
		444T-445T	LM18870	544	4	—
		447T-449T	LM18871	1,484	40	1, 2
MD & SE	S	284T-286T	LM12429	274	2	—
		324T-365T	LM16572	351	2	—
		404T-405T	LM16574	1,021	40	1
		404T-405T	LM12454	1,327	35	1
		444T-445T	LM16577	1,438	40	1

Specifications are subject to change without notice

Notes: P=EPAct, B=Premium, S=Standard Eff., G=U-Frame Standard

1. Kit includes larger than standard terminal box.
2. Terminal box is heavy gauge steel CS models normally have cast iron box
3. Blower motor on TEBC CTAC® models, 284T frames and larger, is not CE compliant

* Multiguard® motors

Usable on 380 to 575V (for others, contact Lincoln). Price includes terminal strip suitable for six connections and grounding lug. Contact customer service regarding nameplate with CE mark.

Copies of Lincoln's Declaration of Conformity for the low voltage Declaration of Conformity for the Low Voltage Directive and Manufacturer's Declaration for the Machinery Directive are available on request



Accessories / Kits

Shaft Grounding Rings (SGRs)

For use with Lincoln Motors™ rolled steel, aluminum and cast iron frame US built motors

For use with LEESON® Inverter Duty, 80000 Series cast iron motors

For use with LEESON IEEE-841 duty motors

Note - will not meet DIV 2 certification with SGRs

Shaft grounding is recommended (NEMA® MG1 31.4.4.3) as an effective means of bearing protection for motors operated from inverter power. One grounding device is adequate to bleed down inverter-sourced shaft voltages, thereby protecting both bearings for motors as large as 6085 frame. Kits includes grounding ring, mounting hardware and instructions. Shaft ground rings fit these NEMA shaft extension frames listed below, they are designed to mount on the shaft end.

Shaft Grounding Ring (SGR)

Note: Cannot Be Used On Explosion Proof Motors



NEMA Frame	Catalog Number	List Price
48	LM32396	219
56	LM32397	219
143-145T	LM32398	219
182-184T	LM32399	255
213-215T	LM32401	290
254-256T	LM32402	364
284-286T	LM32403	651
284-286TS	LM32402	364
324-326T	LM32405	510
324-326TS	LM32403	651
364-365T	LM32407	584
364-365TS	LM32403	651
404-405T	LM32409	869
404-405TS	LM32405	510
444-445T	LM32411	1,527
444-445TS	LM32407	584
447/449T	LM32411	1,527
447/449TS	LM32407	584

Specifications are subject to change without notice

For Use with Cast Iron Wattsaver® Motors "17" Series Shaft Grounding Ring (SGR)

NEMA Frame	Motor Poles	Catalog Number	List Price	♥ Notes
182-4T	2-4	176090.60	153	T. O
213-5T	2-4-6	176091.60	184	T. O
254-6T	2-4-6	176092.60	228	T. O
284-6T/TS	2-4-6	176093.60	239	T
284-6T/TS	2-4-6	176094.60	254	O
324-6T/TS	2-4-6	176094.60	254	T. O
364-5T/TS	2-4-6	176095.60	276	T
364-5T/TS	2-4-6	176159.00	248	O
404-5T/TS	2-4-6	176096.60	411	T. O
444-5T	4-6	176097.60	643	T. O
447-9T	4-6	176097.60	643	O
447-9T	4-6	176098.60	643	T

Specifications are subject to change without notice

Note: TEFC Motors produced after August 2015 have holes available for mounting these kits. April 2016 on ODP Models. Not available on 180 and 210 frame ODP motor

**T- TEFC
O- ODP**

For Use with LEESON Ultimate e® Series Motors ODP and TEFC designs Shaft Grounding Ring Kit (SGR)

NEMA Frame	Motor Poles	Catalog Number	List Price
182-4T	2-4-6	176154.00	138
213-5T	2-4-6	176155.00	165
254-6T	2-4-6	176156.00	204
284-6T/TS	2-4-6	176157.00	214
324-6T Δ	2-4-6	176158.00	228
364-5TS	2	176158.00	228
364-5T	4-6	176159.00	248
404-5T	4-6	176161.00	367
404-5TS	2	176162.00	367
444-5T - 447T - 449T	4-6	176163.00	576
444-5TS - 447TS - 449TS	2	176164.00	576

Specifications are subject to change without notice

Δ - No SGR ring for TEFC 324/326TS frame motors

For use with Ultimate E Series motors built after Sept. 2015

Aegis is believed to be the trademark of Illinois Tool Works Inc. and is not owned or controlled by Regal Beloit Corporation.

NEMA is believed to be the trademark of National Electrical Manufacturers Corporation, and is not owned or controlled by Regal Beloit Corporation.



Types of Motor Mounts

Gearmotors

AC / DC Controls

Accessories / Kits

Mods / Factory Options

X-Ref / Index

Tech Information

Warnings/Cautions



Rigid base is bolted, welded, or cast on main frame and allows motor to be rigidly mounted on equipment.



Resilient base has isolation or resilient rings between motor mounting hubs and base to absorb vibrations and noise. A conductor is imbedded in the ring to complete the circuit for grounding purposes.



NEMA® C face mount is a machined face with a pilot on the shaft end which allows direct mounting with the pump or other direct coupled equipment. Bolts pass through mounted part to threaded hole in the motor face.



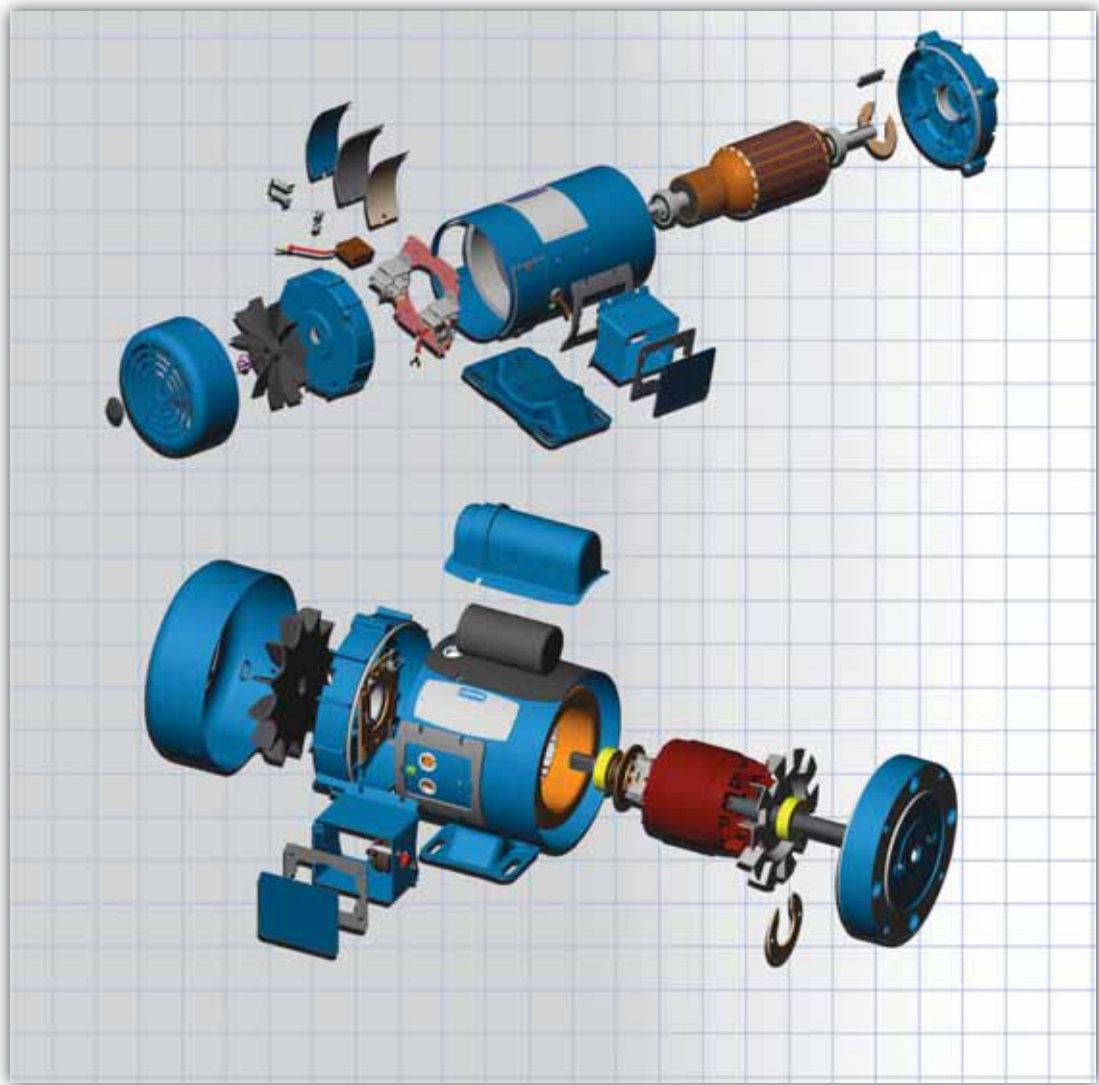
NEMA D flange mount is a machined flange with rabbet for mountings. Bolts pass through motor flange to a threaded hole in the mounted part. NEMA C face motors are by far the most popular and most readily available. NEMA D flange kits are stocked by some manufacturers, including Regal®.



Type M or N mount has special flange for direct attachment to fuel atomizing pump on an oil burner. In recent years, this type of mounting has become widely used on auger drives in poultry feeders.



Extended through-bolt motors have bolts protruding from the front or rear of the motor by which it is mounted. This is usually used on small direct drive fans or blowers.



Contact your local sales office for genuine replacement motor parts.



NEMA is believed to be the trademark of National Electrical Manufacturers Corporation, and is not owned or controlled by Regal Beloit Corporation.

Mod-Squad Stock Motor Modification Program

Your motor, your way...now

The Mod-Squad stands on alert ready to tailor a LEESON® or Lincoln stock motor to meet your modified motor needs in a few days or less. From one modified motor up to a few—there is no faster, more versatile source for mechanically or electrically “customerized” motors.

Starting with an off-the-shelf LEESON or Lincoln motor selected from the nearly 6,000 stock motors, the modifications listed here can be completed in the time frame noted for each item.

Ordering Information

To order please specify the catalog number of the LEESON or Lincoln stock motor to be modified and the Mod-Squad modification catalog number or numbers desired.

An inventory of popular motors is maintained by the modification center for fast delivery. However, delivery of the modified motor is governed by availability of the stock motor. If a stock motor is shipped from a district warehouse, delivery of the mod will be extended.

Modification list prices are subject to the same discounts that apply to the motor. (Some motors, such as explosion-proof, may not be modified). Days noted are working days excluding holidays and weekends—larger quantities may require additional leadtime.

MOD-SQUAD Cancellation Policy

Modified motors may not be returned for credit or re-stocking. If a modification order is cancelled after it has been completed, but before it is shipped, a cancellation charge of double the amount of the modification charge will be invoiced to the customer. Any Mod-Squad order cancelled before the modification is completed is subject to cancellation charges of 10% of total charges for that item.

Terms are net 30 days, FOB Indianapolis, IN, with freight prepaid on single shipments of 1,500 pounds or 3,000 dollars or more to the first destination within the continental United States, excluding Alaska.

Index to Motor Modifications

Description	Mod-Squad Number	Page
Bearing Modifications	L2	409
Blower Fan Kits - WATTSaver® Motors	L30	419
Brakemotor Modifications - LEESON Motors Only	L3	410
CE Marking	L24	417
Condensate Drains - Totally Enclosed Motors	L8	411
Cords, Plugs & Grounding Provisions	L5	410
Drip Cover - Open, Drip-Proof Motors	L9	412
Dynamic Braking Boards - Micro Series - LEESON Motors Only	L28	418
Encoder Kits - Wattsaver® & SPEEDMASTER® Motors	L29	419
Fungus Proofing and Tropicalization	L19	416
Larger Size Conduit Box - Lincoln Motors Only	L31	419
Leads - Reconnect, Remark or Extend	L10	412
Lint-Proof Textile Service Motors - LEESON Motors Only	L17	416
Marine Service Motors - Three Phase, Totally Enclosed	L21	417
Motor Protection	L18	416
Mountings	L12	413
Nameplates	L13	415
Paint	L14	415
Remote Keypad Option - Micro Series - LEESON Motors Only	L25	418
Rodent Screens - LEESON Motors Only	L15	415
Severe Duty - Cast Iron Fan Covers - LEESON Motors Only	L7	411
Shaft Grounding Ring (SGR) modification	L32	419
Shaft Modification	L22	417
Shaft Seals	L11	412
Space Heaters, Anti-Condensation	L16	415
Switches - Power or Electronic Starting	L6	411
Tachometer Mounting Provisions - DC Motors - LEESON Motors Only	L23	417
Terminal Blocks - NEMA Motors	L27	418
Totally Enclosed Air Over Conversion	L22	417
Weatherproofing - Three Phase, Totally Enclosed Motors	L20	416



L2 Bearing Modifications

Two Days

#L2a Changing shielded bearings to sealed bearings on stock motors. 48-449T, agricultural motors as well as all Washguard® duty and wash-thru motors have sealed bearings as standard. Note: Adding sealed bearings to motors having grease fittings may not make the bearings regreaseable. Grease fittings will be removed and plugged.

NEMA® Frame	Catalog Number	List Price
42	L2A42	229
48	L2A48	229
56	L2A56	229
143T-145T	L2A140	234
182T-184T	L2A180	255
213T-215T	L2A210	272
254T-256T	L2A250	478
284T-286T	L2A280	608
324T-326T	L2A320	798
364T-365T	L2A360	1,415
404T-405T	L2A400	1,467
444T-449T	L2A440	1,954

#L2c Change bearing grease on cast iron motors with open-type regreaseable bearings. Endbells and bearings are purged and repacked with low-temperature grease (Beacon #325 or equivalent) with a temperature range of -75°F to +250°F or high-temperature grease (Dow Corning® DC44M or equivalent) with a temperature range of -40°F to +400°F. Specify grease to be used. Check with Regal® to verify the motor can operate in the temperature range required! LEESON Motors Only.

NEMA Frame	IEC Frame	Catalog Number	List Price
254T-256T	-	L2C250	438
284T-286T	160	L2C280	490
324T-326T	180	L2C320	684
364T-365T	200	L2C360	731
404T-405T	225	L2C400	1,171
444T-449T	250	L2C440	1,609

#L2b Stock motors with shielded or sealed bearings – replace standard bearings with ones having low-temperature lubricant (Beacon® #325 or equivalent), with a temperature range of -75°F to +250°F. Standard lubricant has a temperature range of -20°F to +300°F and is considered a high temp lubricant for these motors. Explosion proof motors can only be rated to a -13°F temperature.

NEMA Frame	Catalog Number	List Price
42	L2B42	229
48	L2B48	229
56	L2B56	229
143T-145T	L2B140	234
182T-184T*	L2B180	255
213T-215T*	L2B210	272

*Rolled steel, cast iron or aluminum motors

Note: Not available on Washdown Duty Motors

Note: IEC motors with equivalent frame sizes are also applicable for this Mod.

Note: Cannot modify Stainless Motors for L2b modification

Note: Any requests for -30°C or below are subject to engineering approval

#L2d Install insulated bearings to protect inverter-driven motors from inverter-sourced shaft voltages. May not be installed on Division 1 or Division 2 hazardous locations. Contact factory for lead time on installing insulated bearings.

NEMA Frame	Catalog Number	List Price
143T-145T	L2D140	568
182T-184T	L2D180	680
213T-215T	L2D215	1,996
254T-256T	L2D250	2,125
284T-286T	L2D280	2,125
324T-326T	L2D320	2,308
364T-365T	L2D360	2,358
404T-405T	L2D400	2,387
444T-449T	L2D440	2,644

Beacon is believed to be the trademark of APDN Inc. and is not owned or controlled by Regal Beloit Corporation.

Dow Corning is believed to be the trademark of Dow Corning Corporation, and is not owned or controlled by Regal Beloit Corporation.

NEMA is believed to be the trademark of National Electrical Manufacturers Corporation, and is not owned or controlled by Regal Beloit Corporation.



Mods / Factory Options

L3 Brakemotor Modifications

"Motors and BrakeKits sold separately"

Leadtimes subject to availability

#L3a Convert brakemotors (TENV only) with standard enclosure brakes to weatherproof brakes by changing the disc brake. Weatherproof brakes have additional sealing and protection. Price includes cost of weatherproof brake.

Lead time = 3 days

#L3b Change the standard brake to one with a different torque rating. Specify torque rating. Standard enclosure brakes only—not weatherproof. Some torque limitations apply, specify torque rating.

Catalog Number L3B. List price - \$195

Lead time = 3 days

#L3c Change brake coil voltage. Change from standard coil voltage to 115 volts (for Stearns® brand brakes only).

Catalog Number L3C. List Price \$195

L3c - Break coil sold separately, contact LEESON for pricing. **Leadtime = 14 days**

#L3d Install a LEESON BrakeKit. See brakemotor section for brakekits available and motors that can be converted. Specify the catalog number of both the stock motor and the brakekit.

List Price \$399

Lead time = 3 days

#L3e Remove brake from stock brakemotor for customers supplying their own brake. Specify Catalog Number L3E. List Price \$399

Lead time = 3 days

#L3f Assemble double C-face coupler brake on C-face motor. MOD charge is for assembly only. Brake and motor are purchased separately. Specify the catalog number of the stock motor and coupler brake.

Catalog Number L3F56140 - 56C, 143TC, or 145TC motors. List Price \$399

Catalog Number L3F180210 - 182TC, 184TC, 213TC, or 215TC motors. List Price \$572

Lead time = 3 days

#L3g Change brake coil voltage. Change from standard coil voltage to 200 volts (for Stearns® brand brakes only). Includes brake coil.

Catalog Number L3G1.5-3 - 1.5 & 3 lb-ft brakes. List Price \$473

Catalog Number L3G6-10 - 6 & 10 lb-ft brakes. List Price \$473

Lead time = 14 days

Catalog Number	List Price
L3A3	1,001
L3A6	1,001
L3A10	1,021
L3A15	1,052
L3A25	1,157



Brakekit installation

L5 Cords, Plugs and Grounding Provisions

Three Days

#L5a For single phase motors, install grounded line cord of type S.O., three-conductor oil resistant cord, connected in the conduit box or terminal panel, with strain relief. No plug. **Specify cord length, voltage and shaft rotation (clockwise or counterclockwise) viewed from the drive shaft end of the motor.**

Wire Gauge	Max Amp Rating Single Phase	Catalog Number 6 ft. or Less	List Price 6 ft. or Less	Catalog Number Each Add'l. Foot	List Price Each Add'l Foot to 10 ft. Max.
16	13	L5A16	191	L5A16ADD	3
14	18	L5A14	201	L5A14ADD	3
12	25	L5A12	210	L5A12ADD	4

#L5b Install 6-foot grounded type S.O. cord with plug, 115VAC single phase only. **Specify cord length, shaft rotation (clockwise or counterclockwise) viewed from the drive shaft end of the motor.**

HP	Catalog Number 6 ft. or Less	List Price 6 ft. or Less	Catalog Number Each Add'l. Foot	List Price Each Add'l Foot to 10 ft. Max
1 and smaller	L5B	190	L5BADD	3

#L5c Add an additional grounding screw to the endbell of drip-proof or totally enclosed non-ventilated NEMA® 48 or 56 frame motors. Meets UL 1081 swimming pool motor grounding provisions (includes slinger)

Catalog Number L5C. List Price \$161



Grounded Cord w/Plug

Stearns is believed to be the trademark of Rexnord Industries, LLC, and is not owned or controlled by Regal Beloit Corporation.

NEMA is believed to be the trademark of National Electrical Manufacturers Corporation, and is not owned or controlled by Regal Beloit Corporation.



L6 Switches – Power or Electronic Starting

Three Days

NOT FOR 1 PHASE EXPLOSION PROOF OR STAINLESS MOTORS

#L6a On-off switch for 2 HP and smaller single phase motors only. Install double-pole, single-throw switch in the conduit box, with switch guard and a 6-foot type S.O. cord with grounded plug, **115 VAC or 230 VAC—please specify. Also specify shaft rotation (clockwise or counterclockwise) viewed from the drive shaft end of the motor.**



On-Off Switch w/Guard

Rating	Catalog Number	List Price
16-20A/115V or 230V	L6A	403

#L6b Replace mechanical centrifugal switch on single phase motors 2HP and smaller with solid-state, encapsulated, electronic starting switch. Capacitor-start, induction-run motors only. **Subject to engineering approval.** Catalog Number L6B. List Price \$365

L7 Severe Duty – Cast Iron Fan Covers – LEESON® Motors Only

Three Days

#L7a Remove steel fan guard and install a cast iron fan guard on LEESON 150, G150 and 170 series NEMA and 193 series IEC TEFC cast iron motors to meet severe duty, mill and chemical duty specifications. Note: These motors have cast iron endbells, frame, and conduit box as standard. **Lincoln motor has a line of severe duty motors that include a cast iron fan guard. See page 106.**

NEMA® Frame	IEC Frame	Catalog Number	List Price
182T-184T	–	L7A180	424
213T-215T	–	L7A210	477
254T-256T	–	L7A250	582
284T-286T	160	L7A280	908
324T-326T	180	L7A320	941
364T-365T	200	L7A360	1,326
404T-405T	225	L7A400	1,437
444T-445T	250	L7A445	1,446
447T-449T	280	L7A449	1,475



Cast Iron Fan Cover

L8 Condensate Drains – Totally Enclosed Motors

Two Days

#L8a 215T and smaller steel frame motors. Drill one or two condensation drain holes on the periphery or in the face of each endbell of steel frame 215T frame and smaller totally enclosed motors. **Specify location in both the shaft end and opposite endbell using a drawing or clockface analogy.** When specified, a drain can be added to the face of one endbell for shaft up or down mounting.

NEMA Frame	Catalog Number	List Price
215T and smaller	L8A40210	298
254T-365T	L8A250360	413
404T-449T	L8A400440	496



Condensate Drain

#L8b 182T and larger cast iron frame motors. Provides an additional one-way, cross-drilled stainless steel condensation drain on the periphery or in the face of each endbell. Provide a drawing or clockface analogy for position in each endbell.

NEMA Frame	Catalog Number	List Price
215T and smaller	L8B40210	298
254T-365T	L8B250360	413
404T-449T	L8B400440	496

#L8c Add brass drains and breather on all non-explosion proof and non-washdown duty motors 56 - 449T frame.

NEMA Frame	Catalog Number	List Price
215T and smaller	L8C56210	298
254T-365T	L8C250360	413
404T-449T	L8C400440	496



Mods / Factory Options

L9 Drip Cover – Open, Drip-Proof Motors

Two Days

#L9a Install a drip cover on steel frame motors. Price includes drip cover.
LEESON® Motors Only

NEMA® Frame	Catalog Number	List Price
48-145T ^	L9A40140	195
182T-184T *	L9A180	212
213T-215T *	L9A210	234

^ For motors having the date suffix letter of B, P or K.
 * For motors having the date code suffix letter of M



Drip Cover

#L9b Install a drip cover on cast iron motors. Price includes drip cover.
LEESON Motors Only

NEMA Frame	Catalog Number	List Price
182T-184T	L9B180	212
213T-215T	L9B210	234
254T-256T	L9B250	282

For LEESON Wattsaver® cast iron motors - "17" Series

#L9c Install a drip cover on SPD, SRD and SSD Model Numbers. Not suitable for use on motors having NN in Notes column.
Lincoln Motors Only

NEMA Frame	Catalog Number	List Price
48-56*	L9C4856	195
56-145T	L9C56145	195
182T-184T	L9C182184	212
213T-215T	L9C213215	234

* Motors having a 2.18 inch bolt circle for the mounting holes

L10 Leads – Reconnect, Remark or Extend

Two Days

#L10a Re-Connect leads in the conduit box to a single voltage and/or for wye or delta connection. Most motors 444T frame and above are single voltage. Specify voltage and connection.

NEMA Frame	Catalog Number	List Price
48-145T	L10A40140	215
182T-184T	L10A180	341
213T-215T	L10A210	454
254T-256T	L10A250	508
284T-286T	L10A280	672
324T-326T	L10A320	760
364T-365T	L10A360	760
404T-405T	L10A400	852
444T-449T	L10A440	949

Not for IEC - Metric Motors

#L10c Extend leads up to 42 inches longer than standard by splicing. **Specify additional length required.**

NEMA Frame	Catalog Number	List Price
48-145T	L10C40140	215
182T-184T	L10C180	341
213T-215T	L10C210	454
254T-256T	L10C250	508
284T-286T	L10C280	672
324T-326T	L10C320	760
364T-365T	L10C360	760
404T-405T	L10C400	852
444T-449T	L10C440	852

#L10b Remark leads using metal markers. Any size motor. **Specify markings, letters or numbers. Specify Catalog Number L10B.** List Price \$229

#L10d Add crimp-type terminal lugs – steel frame motors. Lugs standard on LEESON cast iron motors. **Specify Catalog Number L10D.** List Price \$177

L11 Shaft Seals

Three Days

#L11a Install an oil seal on the shaft end of 215T and smaller steel frame LEESON motors. May be installed on single, three phase or direct current motors, but not explosion-proof motors.

Catalog Number	List Price
L11A	569



Gearmotors
AC / DC Controls
Accessories / Kits
Mods / Factory Options
X-Ref / Index
Tech Information
Warnings/Cautions

L12 Mountings

#L12a Add a stamped steel rigid base to steel frame motors. For 182-4T frame motors, minimum 8.50" (TEFC, rigid, C face) or 8" (ODP, rigid, C face) frame length is required. **LEESON® Motors Only**

NEMA® Frame	Catalog Number	List Price
42-48	L12A4248	229
56	L12A56	232
143T-145T	L12A140	232
182T-184T	L12A180	281
213T-215T	L12A210	341

Note: It is not possible to add a base to some three phase motors as the resulting rigid base motor will be subject to EISA mandated efficiency values. Contact the factory.

This Mod cannot be done on an explosion proof motor for an F2 conduit box location, cannot modify stainless steel motors for L12a modification.

#L12b Remove stamped steel rigid base from steel frame motors.

NEMA Frame	Catalog Number	List Price
42-56	L12B4256	353
143T-145T	L12B140	353

Excludes Explosion Proof and Stainless Steel Motors

#L12c Install a NEMA® C face on steel frame motors 215T and smaller. Specify if the rigid base is to be removed. If so, add for modification #L12b listed above. List Price includes C face Kit.

LEESON Motors Only

NEMA Frame	Catalog Number	List Price
42-56*	L12C4256	297
143T-145T	L12C140	297
182T-184T	L12C180	321
182T-184T**	L12C180U	321
213T-215T	L12C210	397

Excludes Explosion Proof Motors

*Adding a 48 C-Face results in a non-NEMA BA dimension.
 ** Convert a 182T-184T frame motor to have a C-face dimensions of a 143T-145T or 182U-184U frame motor (AJ = 5 7/8 ", AK = 4 1/2 "). The shaft dimensions and base location will not change.

#L12d Install a NEMA C face to 15, 17 or 19 series cast iron motors. The rigid base cannot be removed from these cast iron frame motors. List Price includes C Face Kit. **LEESON Motors Only**

NEMA Frame	Catalog Number	List Price
182T-184T	L12D180	533
213T-215T	L12D210	580
254T-256T	L12D250	734
284T-286T	L12D280	889
324T-326T	L12D320	1,151
364T-365T	L12D360	1,251
404T-405T	L12D400	1,366
444T-445T	L12D440	1,679
447T-449T	L12D4479	1,774

#L12e Install a NEMA D flange to open or totally enclosed motors of steel frame construction in 182-4T frame and cast iron 150 and 170 series motors in 213T frames through 445T frame. Steel rigid base can be removed from steel frame 182-4T frame motors. Specify and add for modification L12b. Rigid base cannot be removed from cast iron frame motors. List Price includes D Flange.

LEESON Motors Only

NEMA Frame	Catalog Number	List Price
182T-184T	L12E180	533
213T-215T	L12E210	580
254T-256T	L12E250	734
284T-286T	L12E280	889
324T-326T	L12E320	1151
364T-365T	L12E360	1,251
404T-405T	L12E400	1,675
444T-449T	L12E440	2,180

#L12f Convert standard F1 motors to F2, sidewall or ceiling mounting. Consists of repositioning the endbell vents and condensation drains where applicable and the conduit box lead hole. Note: If brakemotor, brake knob will be located at 6 o'clock. Note: Only the 56/140 frame motors can have the motor bases removed where needed. **LEESON or Lincoln Motors** motors where applicable. Excludes DC motors.

NEMA Frame	Catalog Number	List Price
56-184T	L12F56180	454
213T-215T	L12F210	492
254T-326T	L12F250320	587
364T-449T	L12F360449	760

Three phase only; single phase motors cannot be converted. Please contact factory for Explosion proof motor approval for this modification. Washdown and DC motors cannot be converted to F2.

#L12g Rotate standard conduit box position by 90° increments. Specify by clock face, i.e. 9 o'clock, 12 o'clock, etc. for position (viewed from shaft end). Consists of repositioning the endbell vents and condensation drains where applicable and the conduit box lead hole. Note: If brakemotor, brake knob will be rotated 90° from conduit box. This mod. can no longer be offered on the 180 and 210 frame motors for the bases of these motors can no longer be removed without damaging the motor. List Price includes D Flange.

NEMA Frame	Catalog Number	List Price
56-145T	L12G56140	454

Three phase rolled steel only; single phase motors cannot be converted.



#L12h Install a metric (IEC) B5 flange to 190 series cast aluminum or cast iron AC motors and DC steel frame motors. List Price includes B-5 Kit.

LEESON® Motors Only

IEC Frame	Catalog Number	List Price
63	L12H63	310
71	L12H71	358
71 (DC)	L12HD71	403
80	L12H80	580
80 (DC)	L12HD80	310
90	L12H90	580
90 (DC)	L12HD90	310
100	L12H100	819
112	L12H112	1,045
100/112/(DC)	L12HD100112	358
132	L12H132	403
160	L12H160	580
180	L12H180	660
200	L12H200	819
225	L12H225	1,045

#L12i Install C Face kit to an IEEE-841 motor. Modification includes C Face kit and new Inpro shaft seal. Bases cannot be removed from these motors.

NEMA Frame	Catalog Number	List Price
143T-145T	L12I140	374
182T-184T	L12I180	533
213T-215T	L12I210	580
254T-256T	L12I250	734
284T/TS-286T/TS	L12I280	889
324T/TS-326T/TS	L12I320	1,151
364T-365T	L12I360	1,913
404T-405T	L12I400	1,960
447T-449T	L12I440	1,960

#L12j Install a metric (IEC) B14 face to 190 series cast aluminum or cast iron AC motors and DC steel frame motors. List Price includes B-14 Kit. **LEESON Motors Only**

IEC Frame	Catalog Number	List Price
63	L12J63	310
71	L12J71	358
71 (DC)	L12JD71	403
80	L12J80	580
80 (DC)	L12JD80	310
90	L12J90	580
90 (DC)	L12JD90	310
100	L12J100	819
112	L12J112	1,045
100/112/(DC)	L12JD100112	358
132	L12J132	403
160	L12J160	580

#L12k Reposition feet and nameplate (to relocate conduit box) on AC aluminum-frame IEC motors (63 thru 90L frame). **LEESON Motors Only**

IEC Frame	Catalog Number	List Price
63	L12K63	203
71	L12K71	214
80	L12K80	229
90	L12K90	286

#L12l Install C Face. For motors having AF/AAF in the model number. List Price includes C Face Kit. **Lincoln Motors Only**

NEMA® Frame	Catalog Number	List Price
182T-184T	L12L182184	321
213T-215T	L12L213215	397
254T-256T	L12L254256	448
284T-286T	L12L284286	502

#L12m Install C Face. For motors having SRF in the model number. List Price includes C Face Kit. **Lincoln Motors Only**

NEMA Frame	Catalog Number	List Price
56 (203 brg)	L12M56203	297
56 (205 brg)	L12M56205	297

#L12n Install C Face. For motors having SSF in the model number. List Price includes C Face Kit. **Lincoln Motors Only**

NEMA Frame	Catalog Number	List Price
143T-145T	L12N143145	297
182T-184T	L12N182184	321
213T-215T	L12N213215	397

#L12o Install C Face. For motors having SF in the model number, having a cast iron endbell. List Price includes C Face Kit. **Lincoln Motors Only**

NEMA Frame	Catalog Number	List Price
324T/TS-326T/TS	L12O324326	1,151
364T/TX-365T/TS	L12O364365	1,251
404T/TS-405T/TS	L12O404405	1,366
444T/TS-445T/TS	L12O444445	1,679
447T/TS-449T/TS	L12O447449	1,774

#L12p Install C Face. For motors having CCN in the model number. List Price includes C Face Kit. **Lincoln Motors Only**

NEMA Frame	Catalog Number	List Price
143-145T	L12P143145	297

Inpro is believed to be the trademark of INPRO/SEAL LLC, and is not owned or controlled by Regal Beloit Corporation.

NEMA is believed to be the trademark of National Electrical Manufacturers Corporation, and is not owned or controlled by Regal Beloit Corporation.



#L12q Install C Face. For motors having CCF in the model number. List Price includes C Face Kit. **Lincoln Motors Only**

NEMA® Frame	Catalog Number	List Price
143T-145T	L12Q143145	297
182T-184T	L12Q182184	533
213T-215T	L12Q213215	580
254T-256T	L12Q254256	734
284T-286T	L12Q284286	889
342T-326T	L12Q324326	1,151

#L12r Install C Face. For motors having CCS in the model number. List Price includes C Face Kit. **Lincoln Motors Only**

NEMA Frame	Catalog Number	List Price
143T-145T	L12R143145	297
182T-184T	L12R182184	533
213T-215T	L12R213215	580
254T-256T	L12R254256	734
284T/TS-286T/TS	L12R284286	889
342T/TS-326T/TS	L12R324326	1,151
364T/TS-365T/TS	L12R364365	1,251
404T/TS-405T/TS	L12R404405	1,366
444T/TS-445T/TS	L12R444445	1,679

L13 Nameplates NOTE: All nameplates mods are subject to Engineering Approval

Three Days

#L13a Provide an extra motor nameplate-Unmounted. (Nameplate only) Add customer part number or change to other voltage or frequency service. **Unmounted nameplates are not available for explosion-proof motors.**

Note: Markings for UL and CSA cannot be included on unmounted nameplates that are shipped loose and not installed on a motor.

Ⓛ Add \$1 (net) for each additional Aluminum or Mylar nameplate.Ⓜ Add \$2 (net) for each additional stainless steel nameplate.Ⓨ Catalog Number L13A. List Price per motor \$159 60Hz single phase motors cannot be re-rated to 50Hz **Must Provide Date Code Information.**

#L13b Replace, existing nameplate on provided motor. Add customer part number or change to other voltage or frequency service and mount to motor. Ⓛ List Price per motor \$185

Note: Not available for motors that are all stainless steel construction.

#L13c Replace standard aluminum nameplate with stainless steel nameplate. LEESON® cast iron, WASHGUARD® and severe duty motors have stainless steel nameplates as standard.Ⓛ Add \$2 (net) for each additional stainless steel nameplate. Ⓜ List Price per motor \$190

Ⓛ Must specify catalog number and date code of motor's existing nameplate. Nameplates changed to a single voltage connection does not mean motors would be re-connected to this connection unless the L10 Mod is also requested. Ⓜ Additional nameplates must be identical.

L14 Paint

Two Days*

#L14a Repaint motor to another LEESON or Lincoln Motors stock paint color. A sample of choices include LEESON blue, white epoxy, farm duty red, light gray epoxy, black, or black epoxy. Powder coat paint is not available as a modification. For Lincoln Motors, your choices include: Lincoln gray, severe duty blue, black or gloss white. Not available on Lincoln Motors Wash-thru motors. **Specify color.**

	Frame	Catalog Number	List Price
NEMA	42-215T	L14A40210	195
NEMA	254T-365T	L14A250360	396
NEMA	404T-449T	L14A400440	631
IEC	63-90	L14A6390	195
IEC	100-225	L14A100225	397

***Note: Epoxy paint requires extra curing time. Please allow one additional day.**

L15 Rodent Screens – LEESON Motors Only

Two Days

#L15a Add rodent screens to open drip-proof motors, cast iron and steel frame, 326T and smaller.

NEMA Frame	Catalog Number	List Price
182T-S213T	L15A40210	311
254T-286T	L15A250280	710
324T-326T	L15A320	951

L16 Space Heaters, Anti-Condensation

Five Days

#L16a Add anti-condensation space heaters to totally enclosed or open motors. Standard space heater voltage is 115 VAC. **Heaters for 230 or 460 VAC are available. Specify circuit voltage.** May be installed in single, three phase or direct current motors. Explosion proof motors are not included. Washdown duty motors are **not** included.

NEMA Frame	Catalog Number	List Price
145T and smaller	L16A40140	433
182T-215T	L16A180210	545
254T-365T	L16A250360	815
404T-449T	L16A400440	1,070



Mods / Factory Options

L17 Lint-Proof Textile Service Motors – LEESON® Motors Only

Two Days

#L17a Convert a standard totally enclosed-fan cooled motor to textile service by modifying the fan cover to reduce “snagging” of lint and reduction in cooling air for the motor. Price includes kit cost.



Lint-Proof Kit

NEMA Frame	Catalog Number	List Price
56-145T	L17A40140	396
182T-184T	L17A180	516

L18 Motor Protection

Two Days

#L18a Thermostats on the winding. Install one or more thermostats in the windings of NEMA® frame AC motors on the brush plate of DC motors or on the inside of frame on Sub-FHP DC motors. These are pilot or signal devices only, to be used in series with a motor controller or starter to remove power from the motor. Red color leads are brought into the conduit box. **Specify normally open or closed contacts.** Normally closed thermostats connected in series. **Thermostats cannot be installed in explosion-proof or washdown duty motors.**

Type	NEMA Frame	Catalog Number	No. of Devices	List Price
Single Phase	All	L18AS40210	247	1
Three Phase	42-215T	L18AT40210	281	2
Three Phase	254T-365T	L18AT250360	760	2
Three Phase	404T-449T	L18AT400440	949	2
Direct Current	42-56	L18AD4056	281	1

#L18c Thermistors on the winding. As standard, three (3) thermistors are furnished, one per phase. As the critical temperature of the motor’s winding is reached, the resistance of the thermistor changes radically, causing operation of a control relay. Not available on washdown duty motors, explosion proof motors or medium voltage motors.

Type	NEMA Frame	Catalog Number	No. of Devices	List Price
Three Phase	42-215T	L18CT40210	317	3
Three Phase	254T-365T	L18CT250360	795	3
Three Phase	404T-449T	L18CT400440	985	3

Note: IEC motors with equivalent frame sizes are included in this Mod.

Note: Thermostat and Thermistor Descriptions:

Thermostats are made of two or three different metal strips that each expand at different rates when heated. They are sandwiched together to make a laminated strip, with a set of electrical contacts at one end securely mounted to a platform. When the strip is heated it warps and the contacts open as a threshold temperature is exceeded. Thermostats are reliable, noise immune and easily configured into control schemes. Typically, inverter-duty motors have thermostats as standard equipment.

Thermistors are conductive ceramic materials, whose resistance remains relatively constant over a broad temperature range, then changes abruptly at a design threshold point, creating essentially a solid-state thermal switch. Attached control modules register this abrupt resistance change and produce an amplified output signal, usually a contact closure or fault trip annunciation. Thermistors are more accurate and faster responding than thermostats.

L19 Fungus Proofing and Tropicalization

Two Days

#L19a Special treatment of the motors windings and mechanical parts to resist tropical environments. Not available on brakemotors, washguard duty motors and explosion proof motors.
** AC, DC, and AC-IEC Motors

NEMA Frame	Catalog Number	List Price
42-215T**	L19A40210	326
254T-365T	L19A250360	474
404T-449T	L19A400440	757

L20 Weatherproofing – Three Phase, Totally Enclosed Motors*

Five Days

#L20a Treatment of mechanical and electrical components of LEESON steel frame totally enclosed motors to resist weather in application outside or in high-moisture conditions. NOTE: LEESON 150 and 170 series cast iron motors are weatherproofed as standard. LEESON Washguard® motors are also well-suited for outside and high-moisture applications. Not available on brakemotors or explosion proof motors.

NEMA Frame	Catalog Number	List Price
42-215T**	L20A40210	320

For single phase weatherproofed motors, see Washguard motors on pages 149 and 172.

** AC or DC motors



L21 Marine Service (IEEE 45) Motors – Three Phase, Totally Enclosed – LEESON® Motors Only

Five Days

- #L21a In order for a motor to be approved for the L21 MOD, the motor must meet:
- IP 54 minimum protection
 - Motor frame, conduit box and endbells must be cast iron construction - cast iron fan cover must be added
 - Motor's temperature rise must meet 70 degrees C or less and must be rated at 1.15 or higher Service Factor (S.F.)

NEMA® Frame	Catalog Number	List Price
56-215T**	L21A40210	326
254T-365T	L21A250360	549
404T-405T	L21A400	815
444T-449T	L21A440	1,029

Contact your local sales office for more information

L22 Shaft Modifications

Five Days

- #L22a Drill and tap one hole in either end of motors shaft or mill a flat on the drive end shaft extension. **Provide details of hole, thread size or flat with the order.** List price is per modification. For example, a motor modified by adding a tapped hole and flat would be priced by adding the list price twice. 3 inches maximum depth hole. Does not include keyway modification.

NEMA Frame	Catalog Number	List Price
42-145T	L22A40140	295
182T-184T	L22A180	311
213T-215T	L22A210	486
250T-280T	L22A250280	543

- #L22b TEFC to air-over service. Convert a motor from totally enclosed, fan cooled construction to totally enclosed, air-over service by removing fan cover and fan and cutting off the fan end shaft. The modified motor must be mounted in the air stream of the driven fan for cooling purposes.

NEMA Frame	Catalog Number	List Price
42-145T	L22B40140	295
182T-184T	L22B180	311
213T-215T	L22B210	433

- #L22c Machine to "TS" shaft dimensions. All products. Frames 284T-449T

NEMA Frame	Catalog Number	List Price
284/286T	L22C280	1,881
324/326T	L22C320	1,881
364/365T	L22C360	2,038
404/405T	L22C400	2,276
444-449T	L22C440	2,276

L23 Tachometer Mounting Provisions – DC Motors - LEESON Motors Only

Five Days

- #L23a Add a tachometer mounting kit to NEMA frame size Direct Current motors. See page 323 for availability of tachometer mounting kits. Does not include tachometer.

NEMA Frame	Catalog Number	List Price
SS56	L23ASS56	704
56/145T	L23A56140	730



Tach Kit Adaptor

L24 CE Marking*

Five Days

- #L24 Modify provided motor to comply with the nameplate designation, lead markings and connection diagrams required by the IEC34 motor specification. Modification includes a nameplate with the CE logo or a separate CE decal and a CE Declaration of Conformity document. Not available on DC motors below 75 V.D.C. **LEESON Motors Only**

Catalog Number	List Price
L24	273



- #L24b CE Marking Kit - Includes new nameplate only with data in IEC34 format, lead markers for IEC lead designations, a connection diagram, and a CE Declaration of Conformity document. The nameplate will have the CE logo, or a CE decal will be provided. **LEESON Motors Only** UL will not be stamped on nameplate - Must provide motors date code.
Add \$1 (net) for each additional aluminum or mylar nameplate.
Add \$2 (net) for each additional stainless steel nameplate.

Catalog Number	List Price
L24B	165

* Explosion proof motors cannot be built or modified to meet CE.



Mods / Factory Options

L25 Micro Series Inverter – Remote Keypad Option – LEESON® Motors Only

Two Days

#L25 A remote keypad for Micro Series inverters is available only as a factory installed option. The keypad is mounted in a gasketed steel faceplate that must be mounted in an enclosure for protection. An inverter modified for remote operation can only be operated from the remote keypad. Price includes remote keypad, faceplate, cable and factory modification charges. See AC control section for remote keypad kits for the Sub-Micro Series inverters.

Description	Catalog Number	List Price
Keypad with 2.5 foot cable	L25A25	663
Keypad with 5 foot cable	L25A50	724
Keypad with 10 foot cable	L25A100	847



L27 Terminal Blocks – NEMA® Motors – LEESON Motors Only

Five Days

#L27a Add a terminal block in the conduit box of rolled steel motor from 56 to 215T-frame. Install ring terminals on the motor leads.

- Conduit box on 56-frame motors will be changed to a longer version to accommodate the terminal board
- Use with single-phase or three-phase motors with no protector
- Specify connection voltage and direction of rotation for single-phase
- Not intended for 56, 143T & 145T-frame TENV or ODP motors that have a built-in conduit box. Contact LEESON for the suitability of adding a terminal board to one of these motors
- Cannot be added to WASHGUARD® Duty motors

NEMA Frame	Catalog Number	List Price
56/143T/145T	L27A56140	320
182T/184T/S213T	L27A180	358
213T-215T	L27A210	394

#L27b Install a terminal block kit in the conduit box of a cast iron NEMA frame motor. Price includes kit. (IEC motors have a terminal block installed as standard.)

NEMA Frame	Catalog Number	List Price
180/210T	L27B180210	394
250/280T	L27B250280	464
320/360T	L27B320360	533
400/440T	L27B400440	699

L28 Dynamic Braking Board – Micro Series Drives – LEESON Motors Only

Two Days

#L28 Install Dynamic Braking board in Micro Series drive. Note: Does not include Dynamic Braking resistor, which is ordered as a separate line item. See Micro Series accessory section of catalog for resistor selection. See page 402 for Dynamic Brake kits for the Sub-Micro Series inverters.

HP Rating	Voltage	Catalog Number	List Price
1/2 - 3HP	All	L28A174184	1,279
5HP	200-230V	L28A174185	1,343
5HP	460-480V	L28A174185	1,343
5HP	550-575V	L28A174184	1,279
7 1/2HP	200-230V	L28A174192	1,261
7 1/2HP	460-480V	L28A174193	1,261
7 1/2HP	550-575V	L28A174193	1,261
10-60HP	All	L28A174192	1,261



L29 Encoder Kits – WATTSAYER® & SPEEDMASTER® Motors

Two Days

#L29a Assemble a stock Encoder Kit on a WATTSAYER motor. Price is for assembly only. Motor and kit are purchased separately. **Specify motor and kit numbers.**

Note: The assembly of an encoder kit on a WATTSAYER motor requires the removal of the external fan. The use of a Blower Fan Kit is strongly encouraged for proper cooling!

NEMA® Frame	Catalog Number	List Price
56-215T	L29A56215	342
254T-324T	L29A250320	553
360T-405T	L29A360400	625

#L29b Assemble a stock Encoder Kit on a SPEEDMASTER® motor. Includes assembly of conduit box kit ECB175926 on 215T-449T frame motors. Price is for assembly only. Motor and kits are purchased separately. **Specify motor and kit numbers.** **LEESON Motors Only**

NEMA Frame	Catalog Number	List Price
143T-215T	L29B140210	244
254T-365T	L29B250360	516
404T-445T	L29B400440	790

#L29c Available on Inverter Duty CTAC® Motors that have Model Number ending with Q10. Price is for assembly only. Encoder kit, Mounting kit and Motor sold separately. **Lincoln Motors Only**

NEMA Frame	Catalog Number	List Price
56-215T	L29C56210	244
254T-365T	L29C250360	516
404T-445T	L29C400440	790

L30 Blower Fan Kits – WATTSAYER Motors

Two Days

#L30b Install a blower fan kit on a WATTSAYER motor. Price is for assembly only. Motor and kit are purchased separately. **Specify motor and kit numbers.** **LEESON Motors Only**

NEMA Frame	Catalog Number	List Price
56-215T	L30B56210	244
254T-326T	L30B250320	420
360T-440T	L30B360440	622

L31 Conduit Box Kits – Larger Size – Lincoln Motors Only

#L31a Install larger size conduit box. AF, MD, SD and SF Model Numbers, S and H Efficiency Codes

NEMA Frame	Catalog Number	List Price
213T-215T	L31A213215	210
254T-256T	L31A254256	234
284T-286T	L31A284286	253
324T-326T	L31A324326	288
364T-365T	L31A364365	337
404T-405T	L31A404405	441

#L31b Install larger size conduit box. AF, MD, SD and SF Model Numbers, S and H Efficiency Codes

NEMA Frame	Catalog Number	List Price
143T-184T	L31B143184	192
213T-215T	L31B213215	210
254T-256T	L31B254256	234
284T-286T	L31B284286	253
324T-326T	L31B324326	288
364T-365T	L31B364365	337
404T-405T	L31B404405	441
444T-449T	L31B444449	617

L32 Shaft Grounding Rings – 48-449T Frame

Two Days

#L32a Add shaft grounding rings to LEESON cast iron WATTSAYER® motors. Cost includes kit and installation costs. Motors sold separately.

Not available on 182T, 184T, 213T and 215T ODP WATTSAYER motors.

NEMA Frame	Motor Poles	Catalog Number	List Price
182-4T	2-4	L32A180	358
213-5T	2-4-6	L32A210	384
254-6T	2-4-6	L32A250	507
284-6T/TS	2-4-6	L32A280	553
324-6T/TS	2-4-6	L32A320	605
364-5T/TS	2-4-6	L32A360	649
404-5T/TS	2-4-6	L32A400	706
444-5T	4-6	L32A440	935
447-9T	4-6	L32A447449	968



CUSTOMIZED AND MODIFIED PRODUCTS

CUSTOM MOTORS, GEARBOXES & GEARMOTORS

Regal is a leading designer and manufacturer of application-specific AC and DC motors and gearmotors in sub-fractional, fractional and integral horsepower sizes. We offer a database of over 30,000 custom designs, experienced application and design engineering teams, to ensure the best, most cost-effective custom motor solution.

CUSTOM MULTI-SPEED & LOW-SPEED MOTORS

Regal's PDQ Modular Production Program utilizes specially designed and standard components to make almost any imaginable NEMA® frame multi-speed or low-speed motor available when you need it. We pride ourselves on fast turnaround times on highly customized motors.

Custom motors include two, three and four-speed motors and speed ranges of 900, 720, 600, 450 and 300 RPMs. We also specialize in non-standard shaft designs.

For quotations, availability and application assistance, contact your local sales office.



Below is a listing of a few of our Factory “Build-up” options. Please contact our local sales office for more information.

ADDITIONAL LEAD LENGTH	GROUND PROVISIONS
HIGH ALTITUDE	HARDWARE
AMBIENT	HIGH INERTIA LOAD
CONDUIT BOXES	INSULATION
BALANCE	LEADS
BEARINGS	LUBRICATION
ROLLER BEARINGS	MARINE DUTY
INSULATED BEARINGS	NAMEPLATES
BLOWER TYPES	PAINT
BRAKES	SCREENS
CONNECTIONS / CORDS	SEALS & SLINGERS
WYE DELTA	SEVERE DUTY
PART WIND START	SERVICE FACTOR
DOCUMENTATION - SUBMITTAL DATA	SHAFTS
DOWELING	SPACE HEATERS
DRAINS	TACHOMETERS - SEE ENCODERS
ENCODERS	TACONITE DUTY - SEE INPRO SEALS
END TURN BRACING	TERMINAL BLOCKS / STRIPS
END BRACKETS - FACES & FLANGES	TESTS
FREQUENCY - Other than 60Hz	THERMAL PROTECTION
GREASE FITTINGS	VERTICAL MODIFICATION
GREASE: LOW TEMP	VIBRATION DETECTOR
GREASE: HIGH TEMP	VOLTAGE - SPECIAL

LEESON® Catalog Number Index

Motors, Sub-FHP Gearmotors, Drives and Accessories

Gearmotors

AC / DC Controls

Accessories / Kits

Mods / Factory Options

X-Ref / Index

Tech Information

Warnings/Cautions

Catalog No.	Page #
003042.02	359
003042.04	359
003042.05	359
003042.06	359
003043.01	359
003043.05	359
006707.01	395
006708.01	369, 395
092011.00	30
092012.00	30
092013.00	30
092014.00	75
092015.00	75
092016.00	75
092111.00	23
092112.00	23
092114.00	23
092116.00	23
096000.00	353
096001.00	353
096002.00	353
096003.00	353
096004.00	353
096005.00	353
096006.00	353
096007.00	353
096008.00	353
096009.00	353
096010.00	353
096011.00	353
096013.00	353
096014.00	353
096015.00	353
096016.00	353
096049.00	353
096050.00	353
096051.00	353
096052.00	353
096065.00	361
096066.00	361
096067.00	361
096068.00	361
096069.00	361
096070.00	361
098000.00	306
098002.00	306
098003.00	306
098004.00	306
098005.00	306
098006.00	306

Catalog No.	Page #
098007.00	306
098008.00	306
098009.00	306
098010.00	306
098014.00	299, 313
098015.00	299, 313
098016.00	299, 313
098017.00	299, 313
098032.00	306
098040.00	157, 309
098065.00	302, 318
098066.00	302, 318
098067.00	302, 318
098069.00	306
098375.00	157, 309
098376.00	157, 309
098377.00	307
098378.00	307
098379.00	307
098380.00	307
098381.00	316
098382.00	316
100010.00	213
100011.00	213
100012.00	214
100014.00	213
100015.00	213
100016.00	214
100045.00	213
100046.00	214
100047.00	214
100053.00	17, 251
100063.00	213
100064.00	213
100065.00	214
100109.00	213
100110.00	213
100111.00	213
100123.00	75
100204.00	117
100205.00	117
100207.00	117
100208.00	117
100336.00	17
100361.00	30
100362.00	30
100366.00	30
100443.00	75
100449.00	58
100486.00	58

Catalog No.	Page #
100603.00	214
100604.00	194, 217, 226
100699.00	194, 217, 226
100700.00	194, 217, 226
100701.00	194, 217, 226
100704.00	255
100722.00	117
100723.00	117
100767.00	194, 217
100768.00	194, 217
100796.00	216
100802.00	255
100803.00	194, 217
100804.00	194, 217
100805.00	194, 217
100806.00	194, 217
100824.00	194, 217
100825.00	194, 217
100905.00	53
100908.00	216
100913.00	53
100955.00	23
100956.00	23
100960.00	53
100961.00	53
101013.00	75
101015.00	213
101020.00	218
101021.00	218
101051.00	237
101079.00	53
101119.00	205
101120.00	205
101159.00	205
101176.00	194, 217, 226
101252.00	194, 217, 226
101253.00	194, 217, 226
101291.00	58
101341.00	206, 229
101405.00	21, 215
101431.00	213
101432.00	213
101433.00	214
101434.00	213
101446.00	23
101520.00	216
101544.00	251
101585.00	21, 215
101602.00	21, 215
101611.00	213

Catalog No.	Page #
101637.00	119
101638.00	119
101639.00	216
101640.00	216
101641.00	216
101643.00	205
101644.00	205
101645.00	194, 217
101646.00	53
101647.00	53
101648.00	58
101649.00	75
101765.00	26
101766.00	26
101767.00	58
101769.00	58
101775.00	119
101776.00	119
101780.00	58
101781.00	254
101782.00	254
101839.00	214
101965.00	58
101966.00	58
101981.00	58
102012.00	23
102013.00	23
102014.00	23
102015.00	23
102016.00	23
102017.00	255
102018.00	23
102019.00	23
102020.00	23
102021.00B	255
102024.00	61
102183.00	245
102184.00	246
102197.00	119
102198.00	119
102661.00	26
102662.00	58
102663.00	26
102664.00	58
102665.00	26
102666.00	58
102684.00	53
102685.00	245
102686.00	245
102687.00	246
102688.00	245



LEESON® Catalog Number Index

Motors, Sub-FHP Gearmotors, Drives and Accessories

Catalog No.	Page #
102689.00	246
102690.00	245
102691.00	246
102692.00	245
102693.00	245
102694.00	246
102695.00	41
102696.00	58
102697.00	61
102792.00	78
102793.00	78
102794.00	78
102795.00	78
102860.00	58
102861.00	58
102862.00	26
102863.00	58
102864.00	26
102865.00	26
102866.00	26
102867.00	26
102868.00	26
102869.00	26
102870.00	26
102871.00	26
102872.00	26
102873.00	26
102903.00	28
102904.00	23
102905.00	23
102906.00	23
102907.00	28
102908.00	23
102909.00	23
102910.00	28
102911.00	30
102912.00	30
102913.00	30
102914.00	30
102915.00	30
102916.00	28
102917.00	61
102918.00	75
102919.00	61
102920.00	75
102921.00	61
102922.00	61
102929.00	28
102930.00	28
102931.00	23

Catalog No.	Page #
102932.00	23
102933.00	23
102963.00	213
102964.00	213
102965.00	213
102966.00	214
103019.00	53
103020.00	53
103082.00	28
103085.00	28
103387.00	176
103388.00	176
103389.00	177
103390.00	177
103393.00	177
103394.00	177
103395.00	181, 296
103396.00	181, 296
103397.00	181, 296
103398.00	181, 296
103399.00	181, 296
103400.00	181, 296
103401.00	181, 296
103402.00	181, 296
103403.00	181, 296
103404.00	181, 296
103405.00	181, 296
103406.00	181, 296
103407.00	181, 296
103408.00	181, 296
103409.00	181, 296
103410.00	181, 296
103411.00	186
103412.00	186
103413.00	187
103414.00	187
103417.00	187
103418.00	187
103460.00	255
103520.00	122
103521.00	122
103522.00	122
103523.00	122
103530.00	122
103531.00	122
103711.00	223
103712.00	223
103713.00	223
103714.00	223
103715.00	223

Catalog No.	Page #
103716.00	223
103717.00	223
103718.00	223
103719.00	223
103720.00	223
103721.00	223
103722.00	223
103723.00	119
103724.00	119
103725.00	119
103726.00	119
103727.00	119
103756.00	90
103757.00	90
103758.00	90
103759.00	90
103760.00	90
103761.00	90
103782.00	220
103783.00	220
103794.00	255
103795.00	221
103796.00	221
103797.00	221
103821.00	255
103878.00	206, 229
104008.00	90
107000.00	355
107001.00	355
107002.00	355
107003.00	355
107004.00	355
107005.00	355
107006.00	355
107007.00	355
107008.00	355
107009.00	355
107010.00	355
107011.00	355
107012.00	355
107013.00	355
107014.00	355
107015.00	355
107016.00	355
107017.00	355
107025.00	355
107026.00	355
107027.00	355
107028.00	355
107029.00	355

Catalog No.	Page #
107030.00	355
107031.00	355
107032.00	355
107033.00	355
107034.00	355
107035.00	355
107036.00	355
107037.00	355
108014.00	306
108015.00	306
108016.00	306
108017.00	306
108018.00	306
108019.00	306
108020.00	306
108021.00	306
108022.00	306
108023.00	306
108045.00	316
108046.00	316
108047.00	316
108048.00	316
108050.00	316
108051.00	316
108052.00	316
108053.00	316
108092.00	306
108226.00	157, 309
108227.00	157, 309
108228.00	157, 309
108229.00	157, 309
108230.00	157, 309
108231.00	157, 309
108232.00	157, 309
108262.00	306
108265.00	306
108266.00	306
108322.00	316
108369.00	299, 313
108370.00	299, 313
108371.00	299, 313
108372.00	299, 313
108373.00	299, 313
108407.00	157, 309
108423.00	157, 309
108424.00	157, 309
108455.00	302, 318
108456.00	302, 318
108457.00	302, 318
108458.00	302, 318

Gearmotors

AC / DC Controls

Accessories / Kits

Mods / Factory Options

X-Ref / Index

Tech Information

Warnings/Cautions



LEESON® Catalog Number Index

Motors, Sub-FHP Gearmotors, Drives and Accessories

Gearmotors

AC / DC Controls

Accessories / Kits

Mods / Factory Options

X-Ref / Index

Tech Information

Warnings/Cautions

Catalog No.	Page #
108502.00	306
108700.00	337
108701.00	337
108702.00	337
108703.00	337
108704.00	337
108705.00	337
108706.00	337
108707.00	337
108708.00	337
108709.00	337
108710.00	337
108711.00	337
108712.00	337
108729.00	337
108730.00	337
108731.00	337
108732.00	337
109065.00	182, 321
109066.00	182, 321
109067.00	182, 321
109068.00	183, 297, 322
109069.00	182, 321
109070.00	182, 321
109071.00	183, 297, 322
109072.00	182, 321
109073.00	182, 321
109074.00	183, 297, 322
109075.00	182, 321
109076.00	182, 321
109077.00	183, 297, 322
109078.00	182, 321
109079.00	182, 321
109080.00	182, 321
109081.00	183, 297, 322
109082.00	182, 321
109083.00	182, 321
109084.00	183, 297, 322
109085.00	182, 321
109086.00	182, 321
109087.00	183, 297, 322
109088.00	182, 321
109089.00	182, 321
109090.00	183, 297, 322
109096.00	307
109097.00	307
109098.00	306
109099.00	306
109100.00	306
109101.00	316

Catalog No.	Page #
109102.00	316
109103.00	316
109104.00	316
109105.00	316
109106.00	316
109107.00	316
109108.00	316
109296.00	158, 317
109297.00	158, 317
109298.00	158, 317
109299.00	158, 317
109300.00	158, 317
109301.00	158, 317
109302.00	158, 317
109303.00	158, 317
109304.00	158, 317
110004.00	17
110007.00	214
110009.00	23
110011.00	23
110013.00	24
110017.00	24
110018.00	24
110019.00	24
110022.00	24, 31, 251
110023.00	24, 31, 251
110025.00	31, 215
110026.00	31, 215
110034.00	53
110040.00	26
110041.00	27
110042.00	27
110047.00	58
110054.00	214
110057.00	26
110058.00	27
110059.00	24
110064.00	244
110065.00	244
110066.00	244
110086.00	192
110087.00	192
110088.00	192
110089.00	192
110090.00	192
110094.00	24
110097.00	251
110108.00	24, 31, 251, 253
110109.00	24, 31, 251, 253
110112.00	59

Catalog No.	Page #
110142.00	24, 31, 251, 253
110143.00	75
110144.00	58
110145.00	53
110160.00	249
110161.00	249
110163.00	58
110176.00	239
110177.00	239
110178.00	237
110180.00	28
110181.00	61
110182.00	61
110199.00	237
110209.00	24
110222.00	249
110232.00	249
110253.00	24
110275.00	53
110276.00	24
110288.00	117
110289.00	117
110308.00	26
110313.00	53
110352.00	25
110353.00	53
110354.00	237
110363.00	18
110388.00	19
110394.00	243
110395.00	243
110396.00	243
110397.00	243
110398.00	243
110400.00	24
110402.00	25, 31, 251, 253
110411.00	26
110412.00	26
110413.00	26
110414.00	26
110415.00	27
110416.00	27
110418.00	27
110419.00	27
110420.00	27
110421.00	27
110422.00	27
110423.00	244
110424.00	244
110441.00	53

Catalog No.	Page #
110446.00	58
110448.00	58
110478.00	214
110479.00	214
110492.00	193
110493.00	193
110494.00	193
110495.00	193
110579.00	214
110669.00	275
110670.00	275
110671.00	275
110714.00	237
110715.00	237
110852.00	104
110905.00	28
110908.00	28
110909.00	28
110910.00	28
110914.00	61
110915.00	61
110916.00	61
110934.00	104
110961.00	104
1110003.00	196
1110012.00	201
111074.00	104
111075.00	104
111084.00	104
111085.00	104
111086.00	104
111095.00	104
111096.00	104
111097.00	104
111098.00	104
111147.00	221
111148.00	221
111202.00	194, 217, 226
111266.00	194, 217
111267.00	194, 217
111275.00	249
111311.00	216
111321.00	194, 217
111322.00	194, 217
111323.00	194, 217
111324.00	194, 217
111326.00	274
111327.00	274
111328.00	274
111330.00	201, 205



LEESON® Catalog Number Index

Motors, Sub-FHP Gearmotors, Drives and Accessories

Catalog No.	Page #
111332.00	195, 219
111333.00	195, 219
111334.00	196, 219
111335.00	196, 219
111348.00	194, 217
111394.00	237
111915.00	31, 215
111917.00	76, 216
111919.00	194, 217
111923.00	105
111929.00	105
111930.00	107
111931.00	107
111932.00	105
111933.00	107
111934.00	105
111935.00	107
111936.00	107
111937.00	105
111938.00	105
111940.00	105
111944.00	107
111949.00	195, 219
111950.00	273
111951.00	273
111953.00	218
111954.00	218
111955.00	218
111956.00	218
111957.00	218
111958.00	218
111959.00	218
111960.00	218
111961.00	218
111962.00	218
111963.00	218
112135.00	28
112136.00	27
112378.00	58
112427.00	149
112428.00	149
112429.00	150
112430.00	150
112431.00	147
112432.00	147
112483.00	151
112484.00	151
112520.00	151
112521.00	151
112523.00	150

Catalog No.	Page #
112526.00	147
112527.00	147
112528.00	147
112529.00	147
112547.00	150
112615.00	205
112626.00	147
113019.00	148
113022.00	148
113023.00	148
113024.00	148
113027.00	214
113028.00	120
113029.00	120
113256.00	192
113266.00	17, 251
113280.00	205
113281.00	20, 252
113290.00	193
113300.00	147
113311.00	58
113333.00	24, 31, 251
113373.00	218
113473.00	148
113580.00	147
113581.00	147
113582.00	147
113583.00	147
113584.00	147
113586.00	150
113587.00	150
113588.00	150
113589.00	150
113590.00	150
113591.00	150
113608.00	214
113627.00	253
113630.00	251
113631.00	251
113632.00	251
113633.00	214
113637.00	118
113638.00	118
113639.00	118
113640.00	118
113641.00	118
113642.00	255
113643.00	218
113649.00	148
113672.00	218

Catalog No.	Page #
113700.00	20, 252
113765.00	23, 30
113766.00	23, 30
113767.00	24, 30
113768.00	24, 30
113769.00	24, 30
113770.00	25, 30
113846.00	216
113847.00	216
113891.00	119
113892.00	119
113893.00	119
113895.00	216
113896.00	216
113897.00	216
113901.00	243
113902.00	243
113903.00	243
113904.00	243
113905.00	243
113906.00	205
113907.00	205
113908.00	244
113909.00	244
113910.00	244
113911.00	244
113912.00	245
113913.00	245
113914.00	245
113915.00	245
113916.00	244
113917.00	244
113918.00	244
113919.00	244
113920.00	244
113921.00	245
113922.00	245
113923.00	245
113924.00	245
113925.00	245
113926.00	216
113928.00	244
113929.00	244
113931.00	29
113936.00	244
113937.00	243
113938.00	192
113939.00	203
113954.00	148
113955.00	118

Catalog No.	Page #
113956.00	118
113957.00	118
113958.00	118
113959.00	118
114102.00	206, 229
114142.00	61
114147.00	274
114149.00	274
114150.00	274
114151.00	274
114152.00	275
114154.00	275
114155.00	275
114156.00	273
114157.00	273
114158.00	275
114159.00	275
114160.00	275
114162.00	273
114163.00	273
114164.00	273
114165.00	273
114166.00	273
114167.00	273
114176.00	58
114201.00	119
114202.00	119
114203.00	119
114207.00	120
114208.00	120
114213.00	58
114214.00	20, 252
114215.00	20, 252
114216.00	254
114222.00	244
114223.00	244
114224.00	244
114225.00	244
114226.00	244
114227.00	244
114228.00	244
114229.00	244
114231.00	244
114233.00	244
114304.00	245
114306.00	245
114307.00	245
114308.00	245
114309.00	75
114310.00	147

Gearmotors

AC / DC Controls

Accessories / Kits

Motors / Factory Options

X-Ref / Index

Tech Information

Warnings/Cautions



LEESON® Catalog Number Index

Motors, Sub-FHP Gearmotors, Drives and Accessories

Gearmotors

AC / DC Controls

Accessories / Kits

Mods / Factory Options

X-Ref / Index

Tech Information

Warnings/Cautions

Catalog No.	Page #
114311.00	147
114312.00	147
114313.00	147
114314.00	147
114315.00	147
114316.00	147
114317.00	147
114318.00	147
114319.00	147
114394.00	169
114395.00	169
114424.00	104
114425.00	104
114560.00	169
114561.00	169
114617.00	23
114618.00	53
114620.00	220
114624.00	61
114625.00	108
114626.00	108
114627.00	108
114628.00	108
114629.00	108
114630.00	108
114637.00	147
114638.00	59
114888.00	245
114889.00	246
114891.00	246
114892.00	246
114893.00	246
114894.00	246
114895.00	246
114896.00	246
114931.00	120
114932.00	255
114933.00	255
114995.00	29, 32, 252
115024.00	28, 32, 252
115048.00	29, 32, 252
115743.00	150
115744.00	150
115778.00	221
115779.00	221
115825.00	37
115826.00	38
115827.00	37
115877.00	28, 32, 252
115878.00	29

Catalog No.	Page #
115879.00	28, 32, 252
116128.00	37
116129.00	53
116181.00	104, 118
116183.00	104, 118
116185.00	104, 118
116186.00	104, 118
116187.00	107, 120
116188.00	104, 118
116190.00	108
116191.00	108
116201.00	220
116202.00	220
116340.00	61
116343.00	179
116344.00	179
116345.00	179
116346.00	179
116347.00	179
116348.00	179
116349.00	179
116350.00	179
116351.00	179
116352.00	179
116462.00	154, 276
116463.00	154, 276
116464.00	154, 276
116466.00	154, 276
116467.00	154, 276
116468.00	154, 276
116482.00	179
116483.00	180, 276
116485.00	32, 193, 252
116486.00	32, 193, 252
116487.00	32, 193, 252
116488.00	193
116489.00	193
116523.00	249
116593.00	216
116595.00	38
116599.00	214
116600.00	214
116601.00	214
116605.00	104
116606.00	104
116607.00	104
116608.00	104
116609.00	104
116610.00	104
116611.00	104

Catalog No.	Page #
116612.00	104
116613.00	104
116614.00	104
116615.00	104
116616.00	104
116640.00	148
116641.00	150
116642.00	148
116643.00	148
116644.00	148
116645.00	148
116698.00	119
116699.00	119
116703.00	28, 32, 252
116704.00	18, 251
116705.00	25, 31, 251
116706.00	251
116707.00	252
116708.00	18, 251
116709.00	20, 252
116739.00	53
116743.00	59
116744.00	59
116745.00	61
116746.00	62
116747.00	62
116748.00	59
116749.00	59
116750.00	59
116751.00	59
116757.00	53
116758.00	54
116759.00	54
116760.00	54
116761.00	54
116766.00	273
116769.00	20
116772.00	221
116773.00	221
116774.00	152
116775.00	152
116779.00	121, 152
116780.00	121, 152
116789.00	249
116919.00	179
116922.00	28
117118.00	186
117119.00	186
117120.00	186
117121.00	186

Catalog No.	Page #
117122.00	186
117126.00	187
117127.00	187
117128.00	187
117129.00	187
117130.00	187
117266.00	176
117267.00	176
117269.00	176
117270.00	177
117271.00	176
117272.00	177
117273.00	176
117275.00	176
117276.00	176
117279.00	177
117280.00	177
117281.00	177
117689.00	191
117690.00	191
117691.00	191
117692.00	191
117693.00	191
117698.00	277
117699.00	277
117701.00	33, 268
117702.00	33, 268
117703.00	33, 268
117704.00	33, 268
117705.00	33, 268
117706.00	33, 268
117707.00	268
117708.00	268
117710.00	268
117711.00	268
117712.00	268
117714.00	268
117715.00	117
117759.00	191
117760.00	191
117761.00	191
117762.00	176
117772.00	191
117852.00	107
117853.00	107
117856.00	105
117857.00	105
117858.00	105
117859.00	108
117860.00	107



LEESON® Catalog Number Index

Motors, Sub-FHP Gearmotors, Drives and Accessories

Catalog No.	Page #
117862.00	207
117863.00	207
117864.00	207
117865.00	207
117866.00	207
117867.00	207
117872.00	119
117873.00	119
117874.00	119
117875.00	119
117876.00	119
117878.00	207
117879.00	207
117880.00	207
117881.00	207
117883.00	205
117884.00	205
117887.00	205
117888.00	205
117889.00	205
117901.00	178
117902.00	178
117906.00	188
117907.00	188
118007.00	299, 313
118008.00	299, 313
118009.00	299, 313
118010.00	299, 313
118014.00	299, 313
118015.00	308
118016.00	308
118017.00	308
118018.00	308
118019.00	308
118054.00	308
118055.00	308
118056.00	308
119090.00	117
119091.00	117
119092.00	117
119227.00	203
119228.00	204
119229.00	204
119230.00	204
119231.00	203
119232.00	203
119233.00	204
119234.00	204
119266.00	186
119267.00	186

Catalog No.	Page #
119286.00	84
119287.00	84
119289.00	84
119392.00	84
119395.00	53
119396.00	54
119397.00	84
119414.00	59
119416.00	62
119417.00	62
119418.00	62
119419.00	76, 216
119420.00	107
119421.00	105
119422.00	107
119423.00	107
119424.00	107, 120
119425.00	105
119426.00	105
119427.00	107
119428.00	107
119429.00	107, 120
119430.00	107
119431.00	107
119433.00	105
119434.00	107, 120
119435.00	107
119436.00	108
119437.00	108
119438.00	108
119439.00	108
119440.00	108
119441.00	108
119442.00	108
119443.00	108
119448.00	203
119452.00	120
119453.00	120
119454.00	120
119455.00	120
119456.00	120
119457.00	120
119458.00	121, 152
119459.00	152
119460.00	152
119461.00	121, 152
119462.00	152
119463.00	121, 152
119468.00	148
119469.00	148

Catalog No.	Page #
119471.00	148
119472.00	148
119473.00	148
119475.00	149
119476.00	150
119478.00	150
119479.00	151
119480.00	150
119482.00	150
119483.00	150
119485.00	154, 276
119486.00	154, 276
119487.00	169
119488.00	169
119489.00	169
119490.00	169
119491.00	176
119492.00	176
119494.00	176
119495.00	176
119497.00	177
119498.00	177
119499.00	177
119500.00	178
119501.00	178
119502.00	178
119507.00	181, 296
119508.00	181, 296
119509.00	181, 296
119511.00	186
119512.00	187
119513.00	186
119520.00	187
119522.00	186
119523.00	186
119524.00	187
119525.00	187
119526.00	186
119527.00	188
119528.00	188
119529.00	188
119530.00	188
119531.00	188
119533.00	201
119534.00	202
119535.00	202
119539.00	237
119540.00	237
119542.00	239
119543.00	239

Catalog No.	Page #
119544.00	239
119552.00	242
119553.00	268
119554.00	268
119555.00	268
119556.00	268
119561.00	274
119562.00	274
119563.00	275
119564.00	275
119565.00	275
119566.00	277
119736.00	105
119737.00	105
119783.00	154, 206
119785.00	180, 276
119796.00	81
119797.00	81
119955.00	109, 156
119956.00	109, 156
119957.00	109, 156
119958.00	109, 156
119973.00	176
119974.00	177
119975.00	186
119976.00	187
120000.00	17
120003.00	17, 249
120004.00	17, 249, 251
120008.00	24, 31, 251
120009.00	24, 31, 251
120017.00	27
120025.00	24
120026.00	24
120036.00	25
120042.00	17, 249
120043.00	24
120044.00	17, 249
120060.00	27
120063.00	41
120067.00	18
120073.00	19
120097.00	58
120101.00	27
120102.00	27
120106.00	18
120107.00	17
120130.00	24
120274.00	29
120341.00	25, 253

Gearmotors

AC / DC Controls

Accessories / Kits

Mods / Factory Options

X-Ref / Index

Tech Information

Warnings/Cautions



LEESON® Catalog Number Index

Motors, Sub-FHP Gearmotors, Drives and Accessories

Gearmotors

AC / DC Controls

Accessories / Kits

Mods / Factory Options

X-Ref / Index

Tech Information

Warnings/Cautions

Catalog No.	Page #
120374.00	195, 219
120375.00	195, 219
120376.00	195, 219
120377.00	196, 219
120378.00	196, 219
120379.00	196, 219
120395.00	25, 31, 251, 253
120485.00	61
120554.00	249
120589.00	147
120590.00	147
120728.00	254
120824.00	27, 253
120855.00	193
120867.00	25, 31, 251
120879.00	18, 251
120921.00	53
120922.00	54
120923.00	54
120925.00	254
120940.00	224, 257
120941.00	224, 257
120942.00	225, 257
120943.00	225, 257
120944.00	224, 257
120945.00	224, 257
120946.00	224, 257
120947.00	224, 257
120990.00	245
120992.00	20
120994.00	125
120995.00	125
120996.00	125
120997.00	254
120998.00	254
121001.00	27
121002.00	19
121003.00	37, 250
121004.00	37, 250
121005.00	38, 250
121008.00	29
121009.00	53
121060.00	29
121063.00	41
121064.00	41
121065.00	59
121066.00	59
121067.00	59
121071.00	41
121093.00	245

Catalog No.	Page #
121094.00	245
121095.00	245
121096.00	245
121097.00	245
121179.00	61
121180.00	62
121181.00	62
121184.00	19
121190.00	125
121199.00	53
121272.00	246
121273.00	246
121274.00	246
121275.00	246
121276.00	246
121277.00	246
121465.00	29, 32, 252
121507.00	25
121514.00	37
121515.00	38
121516.00	38
121517.00	37
121518.00	54
121519.00	54
121520.00	53
121569.00	192
121622.00	179
121623.00	179
121624.00	179
121625.00	193
121632.00	179
121633.00	179
121672.00	62
121673.00	62
121675.00	42
121676.00	42
121678.00	273
121680.00	28
121681.00	28
121815.00	273
121816.00	273
121825.00	29
121865.00	149
121866.00	149
121867.00	150
121868.00	150
121869.00	149
121870.00	150
121871.00	150
121873.00	176

Catalog No.	Page #
121874.00	176
121875.00	176
121876.00	176
121877.00	176
121878.00	176
121879.00	186
121880.00	186
121881.00	186
121882.00	186
121908.00	187
121909.00	187
121910.00	187
121911.00	187
121912.00	169
121913.00	169
121914.00	105
121915.00	105
121916.00	105
121917.00	105
121918.00	105
121919.00	108
121920.00	108
121921.00	108
121922.00	108
121928.00	42
121929.00	62
121934.00	154, 206
121935.00	42
121936.00	61
121937.00	237
121938.00	237
121939.00	237
121940.00	237
121941.00	237
121942.00	237
121944.00	154, 206
121968.00	54
121973.00	191
121974.00	191
121975.00	191
121979.00	277
121982.00	268
121983.00	268
121984.00	268
121997.00	191
121998.00	191
122009.00	154, 206
122024.00	105
122025.00	105
122030.00	178

Catalog No.	Page #
122031.00	178
122073.00	126
122074.00	126
122075.00	126
122076.00	126
122077.00	126
122078.00	126
122079.00	126
122080.00	126
122081.00	126
122082.00	126
122083.00	128
122084.00	128
122085.00	128
122086.00	128
122087.00	128
122088.00	128
122089.00	128
122090.00	128
122091.00	128
122092.00	128
122105.00	130
122106.00	130
122107.00	130
122108.00	130
122109.00	130
122110.00	130
122111.00	130
122112.00	130
122113.00	130
122114.00	130
122115.00	126
122118.00	188
122122.00	199
122129.00	84
122130.00	84
122131.00	84
122132.00	84
122162.00	41
122163.00	41
122164.00	41
122165.00	59
122166.00	59
122167.00	59
122168.00	84
122171.00	59
122174.00	107
122175.00	107
122179.00	148
122180.00	148



LEESON® Catalog Number Index

Motors, Sub-FHP Gearmotors, Drives and Accessories

Catalog No.	Page #
122182.00	148
122183.00	148
122184.00	148, 148
122185.00	150
122186.00	151
122187.00	151
122188.00	151
122189.00	151
122190.00	151
122191.00	151
122192.00	154, 276
122193.00	154, 276
122194.00	154, 276
122195.00	154, 276
122196.00	154, 276
122197.00	154, 276
122198.00	169
122199.00	169
122200.00	169
122201.00	169
122202.00	177
122203.00	177
122204.00	177
122205.00	177
122206.00	177
122207.00	177
122208.00	180
122209.00	180
122210.00	180
122211.00	180
122212.00	180
122213.00	180
122214.00	41
122215.00	179
122219.00	186
122221.00	188
122222.00	188
122227.00	239
122228.00	239
122229.00	239
122231.00	242
122232.00	242
122233.00	242
122234.00	268
122235.00	268
122237.00	273
122238.00	273
122239.00	273
122240.00	273
122241.00	273

Catalog No.	Page #
122242.00	274
122243.00	274
122244.00	274
122245.00	274
122246.00	274
122247.00	274
122248.00	275
122249.00	275
122250.00	275
122251.00	275
122252.00	275
122253.00	275
122254.00	277
122255.00	277
122258.00	268
122308.00	154, 206
122329.00	126
122330.00	151
122337.00	81
122338.00	81
122395.00	109, 156
122396.00	109, 156
122397.00	109, 156
122411.00	196
122412.00	198
122472.00	154, 206
128000.00	306
128001.00	306
128010.00	306
128023.00	306
131454.00	245
131459.00	245
131463.00	54, 76, 250
131464.00	55, 76, 250
131468.00	224, 257
131469.00	224, 257
131470.00	225, 257
131471.00	225, 257
131472.00	225, 257
131473.00	225, 257
131474.00	224, 257
131475.00	224, 257
131480.00	245
131481.00	245
131501.00	59
131502.00	63
131503.00	59
131504.00	62
131505.00	246
131506.00	246

Catalog No.	Page #
131507.00	246
131508.00	246
131509.00	25
131515.00	18, 249
131516.00	27
131517.00	41
131518.00	41
131519.00	38, 250
131520.00	38, 250
131526.00	24
131530.00	18
131533.00	25
131534.00	18, 249
131535.00	18
131536.00	18, 249
131537.00	18, 249
131538.00	25
131539.00	19
131540.00	27
131541.00	192, 193
131542.00	192, 193
131543.00	192
131544.00	19
131545.00	27
131549.00	25
131553.00	243
131554.00	243
131555.00	243
131556.00	244
131557.00	244
131560.00	18
131561.00	18
131571.00	147
131578.00	244
131599.00	245
131600.00	244
131601.00	244
131602.00	193
131603.00	193
131604.00	125
131605.00	125
131616.00	18
131622.00	18, 249, 251
131629.00	20
131630.00	20, 252
131631.00	29
131632.00	29, 32, 252
131633.00	29, 32, 252
131636.00	18
131637.00	25

Catalog No.	Page #
131638.00	244
131640.00	125
131641.00	125
131777.00	19
131778.00	27
131781.00	20
131847.00	197, 228
131848.00	197, 228
131849.00	197, 228
131850.00	197, 228
131851.00	18, 251
131853.00	20, 252
131855.00	25, 31, 251
131856.00	25, 31, 251
131857.00	29, 32, 252
131881.00	123
131971.00	37
131972.00	38
131980.00	54
131981.00	54
131985.00	54
131986.00	38
131987.00	55
131988.00	38
131994.00	193
131995.00	193
132042.00	25, 31, 251
132043.00	20
132044.00	18, 249
132073.00	125
132079.00	62
132080.00	63
132081.00	42
132082.00	42
132083.00	20
132196.00	149
132197.00	149
132198.00	150
132199.00	150
132200.00	150
132201.00	150
132202.00	149
132203.00	176
132204.00	149
132205.00	150
132206.00	176
132207.00	176
132208.00	176
132232.00	50
132233.00	50

Gearmotors

AC / DC Controls

Accessories / Kits

Motors / Factory Options

X-Ref / Index

Tech Information

Warnings/Cautions



LEESON® Catalog Number Index

Motors, Sub-FHP Gearmotors, Drives and Accessories

Gearmotors

AC / DC Controls

Accessories / Kits

Mods / Factory Options

X-Ref / Index

Tech Information

Warnings/Cautions

Catalog No.	Page #
132234.00	50
132235.00	50
132236.00	75
132237.00	75
132242.00	42
132243.00	62
132244.00	42
132246.00	154, 206
132251.00	237
132252.00	237
132253.00	237
132254.00	237
132255.00	237
132293.00	90
132294.00	90
132306.00	149
132313.00	63
132328.00	191
132329.00	191
132388.00	149
132391.00	199
132392.00	199
132393.00	199
132394.00	199
132425.00	41
132426.00	41
132427.00	41
132428.00	53
132429.00	54
132430.00	59
132431.00	59
132433.00	59
132434.00	59
132435.00	62
132440.00	148
132441.00	148
132442.00	151
132443.00	151
132444.00	151
132446.00	151
132447.00	177
132448.00	177
132449.00	177
132450.00	180
132451.00	180
132452.00	180
132457.00	125
132458.00	125
132461.00	239
132462.00	239

Catalog No.	Page #
132463.00	242
132465.00	242
132466.00	242
132468.00	273
132469.00	273
132470.00	273
132471.00	273
132472.00	274
132473.00	274
132474.00	274
132475.00	274
132476.00	274
132477.00	275
132478.00	275
132479.00	275
132480.00	275
132561.00	60
132563.00	150
132565.00	176
132595.00	59
132596.00	59
132636.00	198
132637.00	198
132639.00	198
132640.00	198
132646.00	186
132647.00	186
132648.00	186
132649.00	186
140120.00	25
140130.00	193
140155.00	18, 249
140203.00	193
140209.00	193
140223.00	193
140311.00	18, 249
140414.00	193
140443.00	224, 257
140444.00	224, 257
140445.00	225, 257
140446.00	225, 257
140447.00	224, 257
140448.00	224, 257
140450.00	55, 76, 250
140451.00	55, 76, 250
140470.00	38, 250
140472.00	38, 250
140475.00	244
140483.00	41
140484.00	60

Catalog No.	Page #
140485.00	41
140486.00	60
140521.00	63
140522.00	63
140581.00	25
140601.00	274
140603.00	274
140605.00	275
140610.00	274
140611.00	273
140635.00	273
140636.00	274
140638.00	274
140639.00	275
140640.00	197, 228
140641.00	197, 228
140642.00	125
140644.00	125
140646.00	123
140647.00	123
140665.00	125
140666.00	125
140678.00	29
140680.00	18, 249
140681.00	18, 249
140684.00	25
140685.00	25
140694.00	29
140695.00	29
140705.00	202
140706.00	192
140707.00	192
140747.00	25
140753.00	38
140754.00	38
140755.00	55
140756.00	55
140767.00	42
140768.00	42
140769.00	63
140770.00	63
140806.00	20
140807.00	29
140816.00	201
140819.00	149
140820.00	149
140821.00	150
140822.00	150
140823.00	150
140825.00	176

Catalog No.	Page #
140826.00	176
140827.00	176
140828.00	176
140830.00	201
140831.00	50
140832.00	75
140833.00	202
140834.00	62
140840.00	90
140841.00	90
141084.00	197, 228
141111.00	42
141119.00	42
141120.00	150
141145.00	191
141146.00	191
141220.00	199
141228.00	41
141229.00	41
141231.00	59
141232.00	59
141233.00	60
141234.00	60
141235.00	60
141266.00	148
141267.00	148
141268.00	148
141269.00	148
141270.00	151
141271.00	151
141272.00	151
141273.00	180
141274.00	180
141275.00	180
141276.00	180
141281.00	125
141282.00	125
141286.00	242
141287.00	242
141289.00	242
141290.00	242
141291.00	237
141308.00	275
141309.00	275
141311.00	199
141312.00	54
141348.00	199
141357.00	148
141358.00	151
141385.00	198



LEESON® Catalog Number Index

Motors, Sub-FHP Gearmotors, Drives and Accessories

Catalog No.	Page #
141392.00	198
141393.00	198
141394.00	198
141409.00	186
141410.00	186
141411.00	186
141412.00	186
141427.00	193
141428.00	25
141429.00	29
141430.00	18, 249
141431.00	125
141432.00	193
141433.00	193
141434.00	193
141437.00	199
163104.60	398
163115.60	398
163116.60	403
163126.60	398
170000.60	38
170001.60	55
170002.60	38
170003.60	56
170004.60	39
170005.60	56
170006.60	38, 250
170007.60	55, 76, 250
170009.60	38
170011.60	56
170013.60	39
170015.60	56
170017.60	39
170019.60	56
170021.60	39
170023.60	56
170025.60	39
170027.60	56
170029.60	39
170031.60	56
170032.60	38
170033.60	55
170034.60	38
170035.60	56
170036.60	39
170037.60	56
170038.60	39
170039.60	56
170040.60	39
170041.60	56

Catalog No.	Page #
170042.60	39
170043.60	56
170044.60	39
170045.60	56
170062.60	55
170064.60	38
170065.60	38
170066.60	55, 76, 250
170067.60	38
170068.60	55
170070.60	43
170071.60	43
170073.60	43
170087.60	56
170096.60	56
170097.60	56
170098.60	56
170099.60	56
170104.60	64
170108.60	64
170110.60	64
170112.60	64
170114.60	65
170116.60	238
170117.60	238
170118.60	238
170119.60	238
170120.60	238
170121.60	238
170122.60	55
170123.60	55
170138.60	63
170139.60	63
170140.60	55
170142.60	38
170143.60	38
170144.60	38
170145.60	38
170146.60	38
170147.60	39
170148.60	39
170149.60	39
170150.60	39
170151.60	39
170152.60	39
170154.60	40
170155.60	40
170157.60	55
170158.60	55
170159.60	55

Catalog No.	Page #
170160.60	56
170165.60	63
170166.60	63
170167.60	63
170168.60	63
170170.60	42
170171.60	42
170172.60	42
170173.60	42
170175.60	42
170196.60	237
170197.60	237
170198.60	238
170199.60	238
170212.60	237
170224.60	238
170228.60	238
170232.60	238
170239.60	238
170244.60	238
170253.60	238
170256.60	56
170259.60	40
170260.60	57
170269.60	39
170352.60	57
170369.60	57
170371.60	57
170378.60	43
170379.60	43
170540.60	200, 227
170541.60	200, 227
170542.60	200, 227
170615.60	55
170619.60	64
170620.60	64
171115.60	65
171116.60	63
171315.60	57
171316.60	57
171320.60	54
171322.60	55
171349.60	60
171352.60	60
171377.60	43
171378.60	54
171379.60	55
171446.60	63
171449.60	40
171479.60	60

Catalog No.	Page #
171480.60	60
171507.60	60
171508.60	60
171509.60	60
171510.60	60
171516.60	57
171518.60	40
171519.60	60
171522.60	40
171523.60	40
171524.60	40
171525.60	40
171529.60	57
171530.60	57
171564.60	62
171565.60	62
171566.60	63
171573.60	40
171574.60	38
171575.60	38
171576.60	40
171577.60	40
171578.60	57
171579.60	57
171580.60	57
171586.60	64
171587.60	64
171588.60	64
171589.60	64
171590.60	64
171591.60	64
171592.60	64
171593.60	64
171594.60	64
171595.60	65
171596.60	65
171597.60	65
171616.60	95
171617.60	95
171620.60	95
171621.60	95
171622.60	95
171623.60	95
171624.60	237
171630.60	95
171631.60	95
171632.60	95
171633.60	95
171634.60	95
171635.60	95

Gearmotors

AC / DC Controls

Accessories / Kits

Mods / Factory Options

X-Ref / Index

Tech Information

Warnings/Cautions



LEESON® Catalog Number Index

Motors, Sub-FHP Gearmotors, Drives and Accessories

Gearmotors

AC / DC Controls

Accessories / Kits

Mods / Factory Options

X-Ref / Index

Tech Information

Warnings/Cautions

Catalog No.	Page #
171636.60	95
171637.60	95
171638.60	95
171639.60	95
171640.60	53
171642.60	54
171643.60	53
171646.60	54
171647.60	54
171648.60	54
171682.60	41
171683.60	41
171684.60	41
171685.60	41
171686.60	41
171687.60	41
171688.60	43
171689.60	43
171690.60	43
171691.60	43
171778.60	95
171779.60	95
171780.60	95
171781.60	95
171782.60	95
171783.60	95
171784.60	95
171785.60	95
171786.60	95
171787.60	96
171788.60	96
171789.60	96
171790.60	96
171791.60	96
171792.60	96
171793.60	96
171794.60	96
171795.60	96
171796.60	96
171797.60	96
171798.60	96
171799.60	96
171800.60	96
171801.60	96
171802.60	96
171803.60	96
171804.60	96
171805.60	96
171806.60	96
171807.60	96

Catalog No.	Page #
171815.60	97
171816.60	97
171817.60	97
171818.60	97
171819.60	97
171820.60	97
171821.60	97
171822.60	97
171823.60	97
171824.60	97
171825.60	97
171826.60	97
171827.60	97
171828.60	97
171829.60	97
171830.60	97
171831.60	97
171832.60	97
171833.60	97
171834.60	97
171835.60	97
171836.60	97
171837.60	97
171838.60	97
171839.60	97
171840.60	97
171841.60	200
171842.60	200
171843.60	200
171844.60	200
171845.60	200
171846.60	200
171847.60	200
171848.60	200
171851.60	60
171852.60	60
171853.60	60
171854.60	60
171861.60	200, 227
171862.60	200, 227
171863.60	200, 227
171864.60	200, 227
171865.60	200, 227
174062.00	366
174064.00	366
174065.00	367
174066.00	367
174102.00	364
174103.00	364
174107.00	364

Catalog No.	Page #
174140.00	394, 396
174141.00	394
174142.00	394
174143.00	394
174144.00	394, 396
174145.00	394, 396
174146.00	394
174147.00	394
174148.00	394
174149.00	394, 396
174150.00	397
174151.00	396
174152.00	396
174153.00	396
174154.00	396
174155.00	396
174156.00	396
174157.00	396
174158.00	396
174159.00	396
174160.00	396
174161.00	396
174162.00	396
174163.00	396
174164.00	396
174165.00	396
174166.00	396
174167.00	396
174174.00	394
174175.00	394
174176.00	394
174177.00	394
174178.00	394
174179.00	394
174180.00	394
174181.00	394
174182.00	394
174183.00	394
174184.00	394
174185.00	394
174186.00	397
174187.00	397
174188.00	397
174190.00	395, 397
174191.00	397
174192.00	394
174194.00	397
174263.00	373
174264.00	373
174265.00	373

Catalog No.	Page #
174266.00	373
174267.00	373
174268.00	373
174270.00	373
174271.00	373
174272.00	373
174273.00	373
174274.00	373
174276.00	373
174277.00	373
174278.00	373
174279.00	373
174280.00	373
174281.00	373
174282.00	373
174283.00	373
174284.00	373
174285.00	373
174286.00	373
174287.00	373
174288.00	373
174290.00	373
174291.00	373
174292.00	373
174293.00	373
174298.00	369
174299.00	369
174307.00	364
174308.00	364
174311.00	365
174314.00	365
174316.00	364
174356.00	391, 393
174357.00	391, 393
174358.00	391, 393
174359.00	391, 393
174362.00	393
174363.00	393
174364.00	393
174365.00	393
174366.00	393
174367.00	393
174368.00	393
174369.00	393
174370.00	393
174400.00	396
174401.00	396
174402.00	396
174403.00	396
174404.00	396



LEESON® Catalog Number Index

Motors, Sub-FHP Gearmotors, Drives and Accessories

Catalog No.	Page #
174405.00	396
174406.00	396
174407.00	396
174408.00	396
174409.00	396
174410.00	396
174411.00	396
174412.00	396
174413.00	396
174414.00	396
174415.00	396
174416.00	396
174417.00	396
174418.00	396
174419.00	396
174422.00	369
174429.00	375
174430.00	375
174431.00	375
174432.00	375
174433.00	375
174434.00	375
174435.00	375
174436.00	375
174438.00	375
174439.00	375
174440.00	375
174441.00	375
174442.00	375
174443.00	375
174444.00	375
174445.00	374
174446.00	375
174447.00	375
174448.00	375
174452.00	375
174453.00	375
174454.00	375
174455.00	375
174456.00	375
174457.00	375
174458.00	375
174459.00	375
174460.00	375
174461.00	375
174462.00	375
174463.00	375
174464.00	375
174475.00	388
174482.00	386

Catalog No.	Page #
174491.00	375
174492.00	374
174493.00	375
174494.00	375
174495.00	375
174497.00	375
174500.00	375
174510.00	386
174511.00	386
174512.00	386
174513.00	386
174515.00	388
174517.00	388
174519.00	388
174520.00	388
174521.00	388
174525.00	388
174526.00	388
174527.00	387
174528.00	387
174529.00	387
174530.00	387
174531.00	387
174532.00	387
174533.00	387
174534.00	387
174535.00	387
174536.00	387
174537.00	387
174538.00	387
174539.00	387
174540.00	383
174542.00	383
174544.00	383
174545.00	385
174546.00	383
174549.00	386
174551.00	385
174552.00	385
174553.00	385
174554.00	386
174556.00	386
174557.00	385
174558.00	385
174559.00	385
174560.00	385
174561.00	385
174562.00	385
174563.00	385
174564.00	385

Catalog No.	Page #
174565.00	385
174566.00	385
174567.00	385
174569.00	385
174571.00	385
174572.00	385
174573.00	385
174574.00	386
174575.00	386
174580.00	385
174581.00	386
174582.00	385
174583.00	386
174584.00	385
174585.00	386
174586.00	385
174593.00	385
174594.00	385
174595.00	386
174596.00	386
174597.00	386
174599.00	385
174603.00	380
174604.00	380
174605.00	380
174606.00	380
174607.00	380
174608.00	380
174609.00	380, 381
174610.00	380, 381
174611.00	380, 381
174615.00	381
174616.00	381
174617.00	381
174618.00	381
174619.00	381
174620.00	381
174621.00	381
174622.00	381
174623.00	381
174624.00	381
174625.00	381
174626.00	381
174627.00	381
174628.00	381
174629.00	381
174630.00	381
174631.00	381
174632.00	381
174633.00	381

Catalog No.	Page #
174634.00	381
174635.00	381
174636.00	381
174637.00	381
174638.00	381
174639.00	381
174651.00	380
174652.00	383
174653.00	383
174654.00	383
174655.00	383
174656.00	383
174657.00	383
174658.00	383
174659.00	383
174660.00	383
174661.00	383
174662.00	383
174663.00	383
174664.00	383
174665.00	383
174666.00	383
174667.00	383
174668.00	383
174671.00	383
174672.00	383
174673.00	383
174674.00	383
174675.00	383
174676.00	383
174677.00	383
174678.00	383
174693.00	397
174694.00	368
174695.00	368
174696.00	368
174697.00	397
174699.00	383
174700.00	383
174701.00	383
174702.00	383
174703.00	383
174704.00	383
174709.00	364
174710.00	381
174711.00	381
174729.00	388
174730.00	386
174732.00	387
174734.00	386

Gearmotors

AC / DC Controls

Accessories / Kits

Mods / Factory Options

X-Ref / Index

Tech Information

Warnings/Cautions



LEESON® Catalog Number Index

Motors, Sub-FHP Gearmotors, Drives and Accessories

Gearmotors

AC / DC Controls

Accessories / Kits

Mods / Factory Options

X-Ref / Index

Tech Information

Warnings/Cautions

Catalog No.	Page #
174735.00	387
174737.00	386
174738.00	387
174740.00	386
174741.00	387
174743.00	386
174747.00	387
174749.00	386
174750.00	387
174752.00	386
174753.00	387
174755.00	386
174757.00	386
174759.00	387
174761.00	387
174763.00	386
174764.00	387
174766.00	386
174767.00	387
174769.00	386
174914.00	385
174915.00	385
174916.00	385
174917.00	385
174918.00	385
174919.00	385
174920.00	385
174921.00	385
174922.00	385
174923.00	385
174925.00	385
174926.00	385
174927.00	385
174928.00	385
174929.00	385
174930.00	384
174931.00	384
174932.00	384
174933.00	384
174934.00	384
174935.00	386
174936.00	386
174937.00	386
174938.00	386
174939.00	386
174940.00	386
174941.00	386
174942.00	386
174943.00	386
174944.00	386

Catalog No.	Page #
174945.00	386
174946.00	386
174991.00	381
174992.00	381
174996.00	388
174997.00	384
174998.00	388
174999.00	388
175000.00	400
175003.00	118, 408
175004.00	118, 127, 408
175024.00	408
175026.00	412
175032.00	413
175033.00	413
175034.00	413
175035.00	413
175036.00	413
175037.00	413
175038.00	413
175039.00	413
175040.00	413
175041.00	413
175042.00	413
175043.00	413
175044.00	413
175045.00	413
175046.00	413
175047.00	413
175048.00	413
175049.00	413
175050.60	405
175051.60	405
175052.60	405
175053.60	405
175054.60	405
175055.60	405
175056.60	405
175058.60	403
175059.60	403
175060.60	403
175061.60	403, 404
175062.60	403, 404
175063.60	403
175066.60	403
175067.60	403
175068.60	403
175075.00	400
175076.00	400
175077.00	400

Catalog No.	Page #
175080.00	307
175082.00	307
175088.00	413
175089.00	413
175090.00	413
175091.00	413
175092.00	413
175093.00	413
175094.00	413
175095.00	413
175097.00	413
175098.00	413
175101.00	398
175106.00	300, 314
175107.00	300, 314
175108.00	300, 314
175109.00	300, 314
175114.60	398
175115.60	398
175116.60	398
175118.60	398
175119.60	398
175120.60	398
175121.60	398
175127.00	413
175129.00	300, 314
175130.00	300, 314
175137.00	300, 314
175142.00	300, 314
175143.00	300, 314
175144.00	300, 314
175145.00	300, 314
175146.00	300, 314
175156.00	307
175157.00	307
175158.00	307
175159.00	307
175180.00	400
175181.00	400
175191.60	403, 404
175192.60	398
175199.60	403, 404
175290.00	368
175291.00	368
175292.00	368
175294.00	400
175297.00	400
175298.00	118, 408
175302.00	413
175303.00	400

Catalog No.	Page #
175304.00	400
175305.00	127, 408, 410
175310.00	371
175311.00	371
175320.00	371
175321.00	371
175322.00	371
175323.00	371
175324.00	371
175325.00	371
175326.00	371
175454.60	403
175455.60	398
175558.00	410
175563.00	280
175564.00	280
175565.00	280
175566.00	155, 280
175567.00	155, 280
175568.00	155, 280
175569.00	280
175570.00	280
175571.00	280
175572.00	155, 280
175573.00	155, 280
175574.00	155, 280
175575.00	280
175576.00	280
175577.00	280
175578.00	280
175579.00	280
175580.00	280
175581.00	280
175582.00	280
175583.00	280
175584.00	280
175585.00	280
175586.00	280
175587.00	280
175588.00	280
175589.00	280
175590.00	280
175593.00	183, 297, 322
175594.00	183, 297, 322
175595.00	183, 297, 322
175596.00	183, 297, 322
175597.00	183, 297, 322
175598.00	183, 297, 322
175599.00	183, 297, 322
175601.60	403



LEESON® Catalog Number Index

Motors, Sub-FHP Gearmotors, Drives and Accessories

Catalog No.	Page #
175602.60	398
175603.60	403, 404
175604.60	398
175605.60	403
175606.60	403
175607.60	398
175608.60	398
175614.00	127, 408, 410
175615.00	278
175619.60	294
175641.00	411
175642.00	411
175643.00	411
175644.00	411
175645.00	411
175646.00	400
175647.00	400
175649.00	412
175657.60	398
175658.60	398
175661.00	400
175663.60	405
175664.60	403, 404
175665.60	412
175666.60	412
175667.60	412
175668.60	412
175674.00	410
175675.00	410
175676.00	410
175677.00	410
175678.00	410
175684.00	411
175685.00	411
175686.00	411
175687.00	411
175691.00	400, 401, 405
175693.00	400
175694.00	398
175695.00	408
175696.00	278
175697.00	278
175698.00	278
175699.00	278
175710.60	278
175711.60	278
175720.00	365
175721.00	365
175722.00	365
175755.00	412

Catalog No.	Page #
175762.00	278
175763.00	278
175764.00	278
175765.00	278
175766.00	278
175767.00	278
175768.00	278
175769.00	278
175770.00	278
175771.00	155, 279
175772.00	155, 279
175773.00	155, 279
175775.00	410
175777.60	294
175778.00	408
175784.00	300, 314
175787.00	404
175788.00	404
175789.00	404
175790.00	404
175791.00	404
175792.00	408
175794.00	404
175795.00	404
175796.00	404
175797.00	404
175802.00	307
175804.60	403
175805.60	403, 404
175807.60	398
175810.60	294
175811.60	294
175812.60	294
175817.60	294
175818.60	294
175819.60	294
175827.60	294
175828.600	294
175829.600	294
175830.600	294
175831.600	294
175832.60	294
175833.60	294
175834.60	294
175835.60	294
175837.60	294
175839.60	294
175844.00	400
175845.00	400
175846.00	127, 408

Catalog No.	Page #
175847.00	412
175849.00	408
175850.00	294
175850.30	294
175851.00	294
175851.30	294
175852.00	294
175852.30	294
175853.00	294
175853.30	294
175854.00	294
175854.30	294
175855.00	294
175855.30	294
175856.00	294
175856.30	294
175857.00	294
175857.30	294
175869.60	403, 404
175871.00	405
175872.00	405
175873.00	405
175874.00	405
175875.00	405
175879.00	410
175880.00	410
175881.00	412
175890.60	294
175891.60	405
175892.00	412
175893.00	358
175894.00	405
175895.00	410
175896.00	410
175897.00	411
175898.00	411
175932.00	127, 410
175955.60	398
175956.60	398
175957.60	398
175958.60	403, 404
175959.60	398
175960.00	411
175961.00	408
175962.00	127, 408
175963.00	127, 408
175969.00	400
175990.60	294
175991.60	294
175994.60	294

Catalog No.	Page #
175995.60	294
176002.00	410
176004.60	403, 404
176024.00	402
176025.00	402
176026.00	402
176027.00	402
176028.00	402
176029.00	402
176030.00	402
176031.00	402
176032.00	402
176033.00	402
176034.00	402
176035.00	402
176036.00	402
176037.00	402
176038.00	402
176039.00	402
176044.60	408
176045.60	408
176046.60	408
176047.60	408
176048.60	408
176049.60	408
176050.60	408
176051.60	408
176052.60	408
176053.60	408
176054.60	408
176055.60	408
176056.00	404
176057.00	404
176058.00	404
176059.00	404
176064.00	402
176065.00	402
176066.00	402
176067.00	402
176068.00	402
176069.00	402
176070.00	402
176071.00	402
176072.00	402
176073.00	402
176074.00	402
176075.00	402
176076.00	402
176077.00	402
176090.60	415

Gearmotors

AC / DC Controls

Accessories / Kits

Motors / Factory Options

X-Ref / Index

Tech Information

Warnings/Cautions



LEESON® Catalog Number Index

Motors, Sub-FHP Gearmotors, Drives and Accessories

Gearmotors

AC / DC Controls

Accessories / Kits

Mods / Factory Options

X-Ref / Index

Tech Information

Warnings/Cautions

Catalog No.	Page #
176091.60	415
176092.60	415
176093.60	415
176094.60	415
176095.60	415
176096.60	415
176097.60	415
176098.60	415
176105.00	391
176106.00	391
176107.00	391
176108.00	391
176109.00	391
176110.00	391
176111.00	391
176112.00	391
176113.00	391
176114.00	391
176115.00	391
176116.00	391
176117.00	391
176118.00	391
176120.00	391
176121.00	391
176122.00	391
176123.00	391
176124.00	391
176125.00	391
176127.00	391
176128.00	391
176129.00	391
176130.00	391
176131.00	391
176132.00	391
176133.00	393
176134.00	393
176135.00	393
176136.00	393
176137.00	393
176138.00	393
176139.00	393
176140.00	393
176141.00	393
176142.00	393
176143.00	393
176144.00	393
176145.00	393
176146.00	393
176147.00	393
176148.00	393

Catalog No.	Page #
176149.00	393
176150.00	393
176151.00	393
176152.00	393
176154.00	415
176155.00	415
176156.00	415
176157.00	415
176158.00	415
176159.00	415
176161.00	415
176162.00	415
176163.00	415
176164.00	415
176177.00	281, 295
176178.00	281, 295
176179.00	281, 295
176180.00	281, 295
176181.00	281, 295
176182.00	281, 295
176183.00	281, 295
176184.00	281, 295
176250.00	187, 407
176251.00	187, 407
176252.00	187, 407
176253.00	187, 407
176254.00	187, 407
176255.00	187, 407
176256.00	187, 407
176257.00	187, 407
176258.00	187, 407
176259.00	187, 407
176261.00	187, 407
176294.00	187, 407
176295.00	187, 407
176296.00	187, 407
176297.00	187, 407
176298.00	187, 407
191200.00	172
191201.00	172
191201.40	172
191202.00	173
191202.40	173
191203.00	172
191203.40	172
191204.00	172
191205.00	173
191206.00	172
191206.40	172
191207.00	172

Catalog No.	Page #
191207.40	172
191208.00	173
191209.00	172
191414.00	172
191414.40	172
191415.00	172
191415.40	172
191417.00	172
191419.00	173
191420.00	173
191420.40	173
191421.00	173
191474.00	171
191475.00	171
191476.00	171
191477.00	171
191478.00	171
191479.00	171
191480.00	171
191481.00	171
191482.00	171
191483.00	171
191486.00	172
191487.00	172
191488.00	172
191489.00	172
191490.00	172
191491.00	172
191492.00	172
191507.00	173
191508.00	173
191528.00	172
191542.00	173
191543.00	171
191544.00	171
191545.00	171
191546.00	171
191547.00	171
191548.00	171
191558.00	172
191560.00	172
191561.00	172
191562.00	172
191563.00	172
191564.00	173
191565.00	173
191567.00	173
191568.00	173
191569.00	173
191570.00	173

Catalog No.	Page #
191574.00	172
191575.00	173
191908.00	223
191949.00	172
191950.00	172
192010.00	286
192010.30	286
192011.00	286
192012.00	286
192014.00	288
192015.00	288
192016.00	288
192016.30	288
192017.00	290
192018.00	290
192019.00	290
192020.00	286
192020.30	286
192021.30	286
192022.00	286
192022.30	286
192024.00	288
192025.00	288
192026.00	288
192026.30	288
192027.00	290
192027.30	290
192028.00	290
192029.00	290
192029.30	290
192030.00	286
192031.00	286
192032.00	286
192032.30	286
192034.00	288
192034.30	288
192035.00	288
192036.00	288
192037.00	290
192038.00	290
192039.00	290
192040.00	286
192040.30	286
192041.00	286
192042.00	286
192042.30	286
192044.00	288
192045.00	288
192046.00	288
192046.30	288



LEESON® Catalog Number Index

Motors, Sub-FHP Gearmotors, Drives and Accessories

Catalog No.	Page #
192047.00	290
192047.30	290
192048.00	290
192049.00	290
192088.00	292
192088.30	292
192089.00	292
192097.00	292
192098.00	292
192106.00	292
192107.00	292
192107.30	292
192115.00	292
192116.00	292
192116.30	292
192124.30	292
192125.30	292
192133.30	292
192200.00	286
192201.00	288
192202.00	286
192202.30	286
192203.00	288
192204.00	290
192205.00	286
192206.00	288
192207.00	290
192208.00	286
192208.30	286
192209.00	287
192210.00	288
192211.00	288
192212.00	290
192213.00	290
192214.00	291
192230.00	292
192230.30	292
192231.00	292
192232.00	292
192232.30	292
192233.00	292
192233.30	292
192241.00	286
192242.00	286
192244.00	288
192245.00	288
192247.00	290
192248.00	290
192250.00	292
192251.00	292

Catalog No.	Page #
192251.30	292
192264.00	286
192265.00	288
192266.00	290
192267.00	292
193300.60	286
193301.60	287
193302.60	287
193303.60	287
193304.60	287
193305.60	287
193306.60	287
193307.60	287
193308.60	287
193309.60	287
193310.60	287
193311.60	287
193312.60	287
193313.60	287
193314.60	287
193315.60	287
193316.60	287
193317.60	287
193318.60	287
193319.60	287
193320.60	287
193321.60	287
193322.60	287
193323.60	287
193324.60	287
193325.60	287
193326.60	287
193327.60	287
193328.60	287
193329.60	287
193330.60	287
193331.60	287
193332.60	287
193333.60	288
193334.60	288
193335.60	288
193336.60	289
193337.60	289
193338.60	289
193339.60	289
193340.60	289
193341.60	289
193342.60	289
193343.60	289
193344.60	289

Catalog No.	Page #
193345.60	289
193346.60	289
193347.60	289
193348.60	289
193349.60	289
193350.60	289
193351.60	289
193352.60	289
193353.60	289
193354.60	289
193355.60	289
193356.60	289
193357.60	289
193359.60	291
193360.60	291
193361.60	291
193362.60	291
193363.60	291
193364.60	291
193365.60	291
193366.60	291
193367.60	291
193368.60	291
193369.60	291
193370.60	291
193371.60	291
193372.60	291
193373.60	291
193374.60	291
193375.60	291
193376.60	291
193377.60	291
193378.60	291
193379.60	292
193380.60	292
193381.60	292
193382.60	292
193383.60	292
193384.60	292
193385.60	292
193386.60	292
193387.60	292
193388.60	293
193389.60	293
193390.60	293
193391.60	293
193392.60	293
193393.60	293
193394.60	293
193395.60	293

Catalog No.	Page #
193396.60	293
193397.60	293
193398.60	293
193399.60	293
193416.60	287
193417.60	287
193418.60	287
193419.60	287
193420.60	287
193421.60	287
193422.60	287
193423.60	287
193424.60	287
194000.00	172
194001.00	172
194002.00	172
194003.00	172
194004.00	172
194005.00	172
194006.00	172
194007.00	172
194008.00	172
194009.00	172
194010.00	172
194011.00	172
194012.00	172
194013.00	172
194014.00	172
194015.00	172
194120.00	131
194121.00	131
194127.00	131
194181.00	258
194182.00	258
194183.00	258
194184.00	258
194185.00	258
194186.00	258
194187.00	258
194188.00	258
194189.00	258
194190.00	258
194191.00	258
194192.00	258
194193.00	258
194194.00	258
194195.00	258
194222.00	281, 295
194223.00	281, 295
194224.00	281, 295

Gearmotors

AC / DC Controls

Accessories / Kits

Mods / Factory Options

X-Ref / Index

Tech Information

Warnings/Cautions



LEESON® Catalog Number Index

Motors, Sub-FHP Gearmotors, Drives and Accessories

Gearmotors

AC / DC Controls

Accessories / Kits

Mods / Factory Options

X-Ref / Index

Tech Information

Warnings/Cautions

Catalog No.	Page #
194225.00	281, 295
194226.00	281, 295
194227.00	281, 295
194228.00	74
194229.00	74
194230.00	74
194232.00	74
194233.00	74
194234.00	74
194235.00	74
194236.00	74
194237.00	74
194238.00	74
194239.00	74
194240.00	74
194242.00	74
194243.00	74
194244.00	74
194245.00	74
194246.00	74
199001.00	66
199002.00	66
199003.00	66
199004.00	66
199005.00	66
199006.00	66
199007.00	66
199008.00	66
199010.00	67
199012.00	67
199013.00	67
199014.00	67
199017.00	67
199020.00	67
199023.00	68
199032.00	68
199036.00	69
199039.00	69
199041.00	69
199042.00	69
199043.00	69
199044.00	69
199045.00	70
199046.00	70
199047.00	70
199048.00	70
199049.00	70
199050.00	70
199052.00	71
199053.00	71

Catalog No.	Page #
199054.00	71
199055.00	71
199064.00	71
199072.00	72
199075.00	72
199076.00	72
199082.00	73
199083.00	73
199084.00	73
199085.00	73
199087.00	73
199088.00	73
199089.00	73
199092.00	130
199093.00	130
199095.00	130
199096.00	130
199589.00	126
199590.00	126
199685.00	44
199686.00	44
199687.00	44
199689.00	44
199692.00	44
199696.00	44
199697.00	44
199699.00	44
199703.00	45
199705.00	45
199706.00	45
199707.00	45
199708.00	45
199709.00	45
199711.00	45
199712.00	45
199714.00	45
199715.00	45
199716.00	46
199717.00	46
199718.00	46
199719.00	46
199720.00	46
199721.00	46
199722.00	46
199723.00	46
199724.00	46
199725.00	47
199726.00	47
199727.00	47
199728.00	47

Catalog No.	Page #
199729.00	47
199730.00	47
199731.00	47
199732.00	47
199733.00	47
199735.00	48
199736.00	48
199737.00	48
199738.00	48
199739.00	48
199743.00	48
199744.00	48
199745.00	48
199747.00	48
199748.00	49
199749.00	49
199750.00	49
199751.00	49
199752.00	49
199753.00	49
199754.00	49
199755.00	49
199756.00	49
199758.00	49
199759.00	49
199763.00	126
199765.00	126
199766.00	128
199767.00	128
199769.00	128
199773.00	124
199775.00	126
199777.00	126
199784.00	124
199787.00	130
199816.00	49
199964.00	126
199965.00	127
199966.00	127
199967.00	127
199968.00	127
199969.00	127
199970.00	127
199972.00	127
199974.00	127
199975.00	129
199977.00	129
199980.00	129
199981.00	129
199982.00	129

Catalog No.	Page #
199983.00	129
199984.00	129
199986.00	129
199988.00	124
199989.00	124
199990.00	124
199991.00	124
199992.00	124
199993.00	124
199995.00	124
199996.00	124
199998.00	131
213VTDC6001	133
213VTDC6002	133
213VTDC6026	133
215VTDC6001	133
215VTDC6026	133
254VTDC6001	133
254VTDC6026	133
256VTDC6001	133
256VTDC6026	133
284VTDC6001	133
284VTDC6026	133
286VTDC6001	133
286VTDC6026	133
324VTDC6001	133
324VTDC6026	133
326VTDC6001	133
326VTDC6026	133
364VTDC6001	133
364VTDC6026	133
365VTDC6001	133
365VTDC6026	133
404VTDC6026	133
405VTDC6026	133
444VTDC6026	133
445VTDC6026	133
447VTDC6026	133
449VTDC6026	133
6439191250	256
6439191251	256
6439191252	256
6439191253	256
6439191260	256
6439191261	256
6439191262	256
6439191263	256
6439191264	256
810001.00	82
810003.00	82



LEESON® Catalog Number Index

Motors, Sub-FHP Gearmotors, Drives and Accessories

Catalog No.	Page #
810005.00	82
810007.00	82
810011.00	82
810015.00	82
810019.00	82
810023.00	82
810027.00	82
810031.00	82
810066.00	82
810068.00	82
810087.00	82
810096.00	82
810097.00	82
810098.00	82
810099.00	82
810140.00	82
810157.00	82
810503.00	82
810546.00	81
810547.00	81
810548.00	81
811320.00	81
811322.00	82
811367.00	82
811369.00	82
811371.00	82
811516.00	82
811529.00	82
811530.00	82
811541.00	93
811542.00	93
811544.00	93
811546.00	93
811547.00	93
811548.00	93
811549.00	93
811550.00	93
811551.00	93
811552.00	93
811553.00	93
811554.00	93
811555.00	93
811556.00	93
811557.00	93
811558.00	93
811559.00	93
811560.00	94
811561.00	94
811562.00	94
811563.00	94

Catalog No.	Page #
811564.00	94
811565.00	94
811566.00	94
811567.00	94
811568.00	94
811569.00	94
811570.00	94
811571.00	94
811586.00	94
811587.00	94
811588.00	94
811589.00	94
811590.00	94
811591.00	94
811592.00	94
811593.00	94
811594.00	94
811595.00	94
811596.00	94
811618.00	84
811619.00	84
811621.00	84
811622.00	84
811624.00	84
811625.00	84
811627.00	84
811628.00	84
811630.00	84
811631.00	84
811633.00	84
811635.00	84
811637.00	84
811639.00	85
811640.00	85
811643.00	93
811644.00	93
811646.00	93
811647.00	93
811648.00	93
811649.00	93
811650.00	93
811651.00	93
811652.00	93
811653.00	93
811654.00	93
811655.00	93
811656.00	94
811657.00	94
811658.00	94
811659.00	94

Catalog No.	Page #
811660.00	94
811661.00	94
811662.00	94
811663.00	94
811664.00	94
824528.00	233
824529.00	233
824530.00	233
824531.00	233
824532.00	233
824533.00	233
824534.00	233
824535.00	233
824536.00	233
824537.00	233
824538.00	233
824539.00	233
824540.00	233
824541.00	233
824542.00	233
824543.00	233
824544.00	233
824554.00	233
824555.00	233
824556.00	233
824557.00	233
824558.00	233
824559.00	233
824560.00	233
824561.00	233
824562.00	233
824563.00	233
824564.00	233
824565.00	233
824566.00	233
824567.00	233
824568.00	233
824569.00	233
824570.00	233
824573.00	234
824574.00	234
824575.00	234
824576.00	234
824577.00	234
824578.00	234
824579.00	234
824580.00	234
824581.00	234
824582.00	234
824583.00	234

Catalog No.	Page #
824584.00	234
824585.00	234
824586.00	234
825071.00	108
825072.00	108
825073.00	108
825074.00	108
825075.00	108
825076.00	108
825077.00	108
825078.00	108
825079.00	108
825080.00	108
825081.00	108
825082.00	108
825083.00	108
825084.00	108
825085.00	105
825086.00	105
825087.00	105
825088.00	105
825089.00	105
825090.00	105
825091.00	105
825092.00	105
825093.00	105
825094.00	105
825095.00	105
825096.00	106
825097.00	106
825098.00	106
825099.00	106
825100.00	106
825101.00	106
825102.00	106
825103.00	106
825104.00	106
825105.00	106
825106.00	106
825107.00	106
825108.00	106
825109.00	106
825110.00	106
825111.00	106
825112.00	106
825113.00	106
825114.00	106
825115.00	106
825116.00	107
825125.00	108

Gearmotors

AC / DC Controls

Accessories / Kits

Mods / Factory Options

X-Ref / Index

Tech Information

Warnings/Cautions



LEESON® Catalog Number Index

Motors, Sub-FHP Gearmotors, Drives and Accessories

Gearmotors

AC / DC Controls

Accessories / Kits

Mods / Factory Options

X-Ref / Index

Tech Information

Warnings/Cautions

Catalog No.	Page #
825126.00	108
825127.00	108
825128.00	107
825190.00	107
825192.00	107
825193.00	107
825194.00	107
825196.00	107
825198.00	107
825201.00	90
825202.00	90
825203.00	90
825204.00	90
825339.00	106
825348.00	107
825387.00	90
825403.00	54
825404.00	105
825405.00	105
825406.00	105
825407.00	105
825408.00	105
825409.00	105
825410.00	105
825411.00	105
825412.00	106
825413.00	106
825414.00	106
825415.00	106
825416.00	106
825417.00	106
825418.00	106
825419.00	106
825420.00	106
825421.00	106
825431.00	106
825432.00	106
851034.00	196
851150.00	25, 197
900282.01	369
970.576	303, 320
970.577	303, 320
970.600	303, 320
970.601	303, 320
970.620	303, 320
970.621	303, 320
980.143	303, 320
980.159	303, 320
980.549	303, 320
A009580.00	208, 230

Catalog No.	Page #
A009581.00	208, 230
A009594.00	208, 230
A009595.00	208, 230
A009644.00	220
A009782.00	208, 230
A090405.00	222
A090585.00	222
A090602.00	222
A099250.00	220
A099251.00	220
A099260.00	194, 226
A099261.00	194, 226
A099460.00	208, 229
A099461.00	208, 229
A099462.00	208, 229
A099836.00	194
A099847.00	194, 226
A099899.00	208, 229
A099900.00	208, 229
A099901.00	208, 229
A099946.00	194, 226
B176025.00	402, 402
B176026.00	402
B176027.00	402
B176028.00	402
B176029.00	402
B176030.00	402
B176032.00	402
B176034.00	402
B176035.00	402
B176036.00	402
B176037.00	402
B176065.00	402
B176066.00	402
B176067.00	402
B176068.00	402
B176069.00	402
B176070.00	402
B176071.00	402
B176072.00	402
B176073.00	402
B176074.00	402
B176075.00	402
B176076.00	402
B176077.00	402
B176194.00	399
B176196.00	406
B176197.00	406
B176198.00	406
B176199.00	406

Catalog No.	Page #
B176200.00	406
B176201.00	399
B176202.00	399
B176203.00	399
B176204.00	399
B176205.00	399
B176206.00	399
B176207.00	399
B176209.00	406
B176210.00	406
B176211.00	406
B176212.00	406
B176213.00	406
B176214.00	409
B176215.00	409
B176216.00	409
B176217.00	409
B176218.00	409
B176219.00	409
B176220.00	409
B176221.00	409
B176222.00	409
B176223.00	409
B176224.00	409
B176225.00	409
B176226.00	409
B176227.00	409
B176228.00	409
B176230.00	409
B176237.00	406
B176238.00	406
B176239.00	406
B176240.00	402
B176241.00	409
B176242.00	406
B176243.00	406
B176271.00	402
B194118.00	131
B194119.00	131
B194120.00	131
B194121.00	131
B194122.00	131
B194123.00	131
B194124.00	131
B194125.00	131
B194126.00	131
B194127.00	131
B194128.00	71
B194228.00	74
B194229.00	74

Catalog No.	Page #
B194230.00	74
B194231.00	74
B194232.00	74
B194233.00	74
B194234.00	74
B194235.00	74
B194236.00	74
B194237.00	74
B194238.00	74
B194239.00	74
B194240.00	74
B194241.00	74
B194242.00	74
B194243.00	74
B194244.00	74
B194245.00	74
B194246.00	74
B194247.00	74
B194295.00	66
B194296.00	66
B194297.00	67
B194298.00	67
B194299.00	67
B194300.00	67
B194312.00	68
B194313.00	68
B194314.00	68
B194315.00	68
B194316.00	69
B194317.00	69
B194318.00	69
B194319.00	69
B194320.00	70
B194321.00	70
B194322.00	129
B194323.00	128
B199001.00	66
B199002.00	66
B199003.00	66
B199004.00	66
B199005.00	66
B199006.00	66
B199007.00	66
B199008.00	66
B199009.00	67
B199010.00	67
B199011.00	67
B199012.00	67
B199013.00	67
B199014.00	67



LEESON® Catalog Number Index

Motors, Sub-FHP Gearmotors, Drives and Accessories

Catalog No.	Page #
B199015.00	67
B199016.00	67
B199017.00	67
B199018.00	67
B199019.00	67
B199020.00	67
B199021.00	68
B199022.00	68
B199023.00	68
B199024.00	68
B199025.00	68
B199026.00	68
B199027.00	68
B199028.00	68
B199029.00	68
B199030.00	68
B199031.00	68
B199032.00	68
B199033.00	69
B199034.00	69
B199035.00	69
B199036.00	69
B199037.00	69
B199038.00	69
B199039.00	69
B199040.00	69
B199041.00	69
B199042.00	69
B199043.00	69
B199044.00	69
B199045.00	70
B199046.00	70
B199047.00	70
B199048.00	70
B199049.00	70
B199050.00	70
B199051.00	71
B199052.00	71
B199053.00	71
B199054.00	71
B199055.00	71
B199056.00	71
B199057.00	71
B199058.00	71
B199059.00	71
B199060.00	71
B199061.00	71
B199062.00	71
B199063.00	71
B199064.00	71

Catalog No.	Page #
B199065.00	72
B199066.00	72
B199067.00	72
B199068.00	72
B199069.00	72
B199070.00	72
B199071.00	72
B199072.00	72
B199073.00	72
B199074.00	72
B199075.00	72
B199076.00	72
B199082.00	73
B199083.00	73
B199084.00	73
B199085.00	73
B199086.00	73
B199087.00	73
B199088.00	73
B199089.00	73
B199090.00	126
B199091.00	126
B199092.00	130
B199093.00	130
B199094.00	130
B199095.00	130
B199096.00	130
B199589.00	126
B199590.00	126
B199685.00	44
B199686.00	44
B199687.00	44
B199688.00	44
B199689.00	44
B199690.00	44
B199691.00	44
B199692.00	44
B199693.00	44
B199694.00	44
B199695.00	44
B199696.00	44
B199697.00	44
B199698.00	44
B199699.00	44
B199700.00	44
B199701.00	45
B199702.00	45
B199703.00	45
B199704.00	45
B199705.00	45

Catalog No.	Page #
B199706.00	45
B199707.00	45
B199708.00	45
B199709.00	45
B199710.00	45
B199711.00	45
B199712.00	45
B199713.00	45
B199714.00	45
B199715.00	45
B199716.00	46
B199717.00	46
B199718.00	46
B199719.00	46
B199720.00	46
B199721.00	46
B199722.00	46
B199723.00	46
B199724.00	46
B199725.00	47
B199726.00	47
B199727.00	47
B199728.00	47
B199729.00	47
B199730.00	47
B199731.00	47
B199732.00	47
B199733.00	47
B199735.00	48
B199736.00	48
B199737.00	48
B199738.00	48
B199739.00	48
B199740.00	48
B199741.00	48
B199742.00	48
B199743.00	48
B199744.00	48
B199745.00	48
B199746.00	48
B199747.00	48
B199748.00	49
B199749.00	49
B199750.00	49
B199751.00	49
B199752.00	49
B199753.00	49
B199754.00	49
B199755.00	49
B199756.00	49

Catalog No.	Page #
B199758.00	49
B199759.00	49
B199763.00	126
B199765.00	126
B199766.00	128
B199767.00	128
B199768.00	128
B199769.00	128
B199773.00	124
B199775.00	126
B199777.00	126
B199779.00	128
B199780.00	128
B199781.00	129
B199782.00	129
B199783.00	124
B199784.00	124
B199785.00	124
B199786.00	124
B199787.00	130
B199788.00	130
B199789.00	130
B199816.00	49
B199964.00	126
B199965.00	127
B199966.00	127
B199967.00	127
B199968.00	127
B199969.00	127
B199970.00	127
B199971.00	127
B199972.00	127
B199973.00	127
B199974.00	127
B199975.00	129
B199976.00	129
B199977.00	129
B199978.00	129
B199979.00	129
B199980.00	129
B199981.00	129
B199982.00	129
B199983.00	129
B199984.00	129
B199985.00	129
B199986.00	129
B199987.00	124
B199988.00	124
B199989.00	124
B199990.00	124

Gearmotors

AC / DC Controls

Accessories / Kits

Mods / Factory Options

X-Ref / Index

Tech Information

Warnings/Cautions



LEESON® Catalog Number Index

Motors, Sub-FHP Gearmotors, Drives and Accessories

Gearmotors

AC / DC Controls

Accessories / Kits

Mods / Factory Options

X-Ref / Index

Tech Information

Warnings/Cautions

Catalog No.	Page #
B199991.00	124
B199992.00	124
B199993.00	124
B199994.00	124
B199995.00	124
B199996.00	124
B199997.00	124
B199998.00	131
B199999.00	131
E100000.00	17
E100001.00	17
E100002.00	17
E100004.00	17
E100006.00	17
E100007.00	17
E100010.00	213
E100011.00	213
E100014.00	213
E100015.00	213
E100018.00	19
E100019.00	19
E100020.00	19
E100023.00	19
E100024.00	19
E100025.00	19
E100027.00	37
E100045.00	213
E100052.00	17
E100053.00	17
E100054.00	19
E100055.00	19
E100056.00	41
E100063.00	213
E100064.00	213
E100109.00	213
E100110.00	213
E100111.00	213
E100115.00	17
E100116.00	17
E100184.00	17
E100210.00	216
E100336.00	17
E100337.00	17
E100338.00	17
E100340.00	17
E100354.00	19
E100355.00	19
E100356.00	19
E100357.00	19
E100375.00	41

Catalog No.	Page #
E100378.00	41
E100446.00	37
E100588.00	17
E100600.00	42
E100603.00	214
E101015.00	213
E101423.00	17
E101431.00	213
E101432.00	213
E101433.00	214
E101434.00	213
E101447.00	37
E101448.00	37
E101449.00	37
E101520.00	216
E101521.00	19
E101522.00	19
E101611.00	213
E101639.00	216
E101640.00	216
E101641.00	216
E101651.00	20
E101773.00	216
E102695.00	41
E102971.00	42
E103014.00	41
E103017.00	37
E103021.00	42
E103023.00	20
E103024.00	20
E103025.00	20
E103083.00	20
E103084.00	20
E104018.00	17
E110000.00	17
E110002.00	17
E110003.00	17
E110004.00	17
E110005.00	17
E110007.00	214
E110027.00	37
E110028.00	37
E110036.00	19
E110037.00	19
E110052.00	216
E110054.00	214
E110097.00	17
E110111.00	41
E110167.00	17
E110220.00	19

Catalog No.	Page #
E110360.00	17
E110361.00	17
E110363.00	18
E110381.00	19
E110382.00	19
E110384.00	19
E110387.00	19
E110388.00	19
E110390.00	19
E110425.00	37
E110426.00	37
E110433.00	216
E110434.00	41
E110437.00	41
E110478.00	214
E110479.00	214
E110579.00	214
E111310.00	38
E111311.00	216
E113027.00	214
E113266.00	17
E113281.00	20
E113293.00	38
E113334.00	19
E113335.00	19
E113336.00	19
E113337.00	19
E113608.00	214
E113631.00	17
E113632.00	18
E113633.00	214
E113700.00	20
E113846.00	216
E113847.00	216
E113894.00	41
E113895.00	216
E113896.00	216
E113897.00	216
E113930.00	20
E113932.00	20
E114192.00	216
E114194.00	216
E114196.00	216
E114197.00	216
E114214.00	20
E114215.00	20
E114218.00	42
E114420.00	41
E114934.00	41
E115825.00	37

Catalog No.	Page #
E115826.00	38
E115827.00	37
E116704.00	18
E116706.00	18
E116707.00	20
E116728.00	41
E116738.00	37
E116740.00	41
E116741.00	41
E116742.00	41
E116752.00	37
E116753.00	37
E116754.00	37
E116755.00	38
E116756.00	38
E116762.00	42
E116763.00	42
E116764.00	42
E116765.00	42
E116769.00	20
E116770.00	20
E116771.00	20
E116784.00	42
E116785.00	42
E119348.00	17
E119349.00	19
E119350.00	20
E119351.00	37
E119352.00	41
E119353.00	42
E119360.00	216
E119361.00	216
E119362.00	214
E119854.00	17
E119855.00	17
E119856.00	214
E119857.00	19
E119858.00	214
E119859.00	214
E119860.00	214
E119862.00	19
E119863.00	20
E119864.00	214
E119879.00	216
E119880.00	216
E175921.00	83, 411
E175922.00	83, 411
E175923.00	83, 411
E175924.00	83, 411
E175925.00	83, 411



LEESON® Catalog Number Index

Motors, Sub-FHP Gearmotors, Drives and Accessories

Catalog No.	Page #
E175927.00	83, 411
E175928.00	83, 411
E175929.00	83, 411
E175930.00	83, 411
E175931.00	83, 411
ECB175926.00	83, 411
EPM1RA	395
EX120024.00	270
EX120037.00	270
EX120038.00	270
EX121035.00	270
EX131491.00	270
EX131492.00	270
EX131528.00	270
EX131606.00	270
EX140109.00	270
EX151346.60	270
EX151348.60	270
EX151350.60	270
EX151352.60	270
EX151507.60	270
EX151508.60	270
EX151509.60	270
EX151510.60	270
EX151519.60	270
EXG120014.00	269
EXG120015.00	269
EXG120016.00	269
EXG120086.00	269
EXG120088.00	269
EXG120185.00	269
EXG120276.00	270
EXG121286.00	270
EXG121287.00	270
EXG130008.00	269
EXG130027.00	269
EXG130099.00	269
EXG130101.00	269
EXG130103.00	269
EXG130326.00	270
EXG130328.00	270
EXG131082.00	269
EXG140147.00	270
EXG140183.00	270
EXG140489.00	269
EXG140578.00	269
EXG140686.00	269
EXG140687.00	269
EXG150007.60	269
EXG150011.60	269

Catalog No.	Page #
EXG150015.60	269
EXG150019.60	269
EXG150023.60	269
EXG150027.60	269
EXG150031.60	269
EXG150033.60	269
EXG150035.60	269
EXG150062.60	269
EXG150066.60	269
EXG150080.60	270
EXG150081.60	270
EXG150082.60	270
EXG150083.60	270
EXG150084.60	270
EXG150085.60	270
EXG150086.60	270
EXG150087.60	269
EXG150102.60	270
EXG150140.60	269
EXG150157.60	269
EXG150158.60	269
EXG150159.60	269
EXG150165.60	270
EXG150167.60	270
EXG150299.60	269
EXG150352.60	269
EXG151317.60	269
EXG151318.60	269
EXG151320.60	269
EXG151322.60	269
EXG151369.60	269
EXG151371.60	269
EXG151563.60	269
EXG151565.60	270
EXG151566.60	270
EXG151680.60	270
EXG151696.60	269
EXG151698.60	269
EXG151702.60	269
EXG151703.60	269
EXG151704.60	269
G121627.00	180
G121748.00	186
G131967.00	151
G140108.00	41
G140738.00	148
G150261.22	55
G150263.22	55
G150265.22	56
G150282.22	55

Catalog No.	Page #
G151355.22	55
G151356.22	55
G151686.60	41
G151687.60	41
G151736.60	130
G151737.60	130
G151738.60	130
GT0005A	44
GT0008A	44
GT0010A	44
GT0011A	44
GT0012A	44
GT0013A	44
GT0014A	44
GT0015A	44
GT0016A	44
GT0018A	44
GT0019A	44
GT0021A	44
GT0041A	46
GT0044A	46
GT0046A	46
GT0047A	46
GT0048A	47
GT0049A	47
GT0050A	47
GT0051A	47
GT0052A	47
GT0053A	47
GT0054A	47
GT0055A	47
GT0056A	47
GT0057	44
GT0058	44
GT0059	44
GT0060	44
GT0061	45
GT0062	45
GT0063	45
GT0064	45
GT0065	45
GT0067	45
GT0068	45
GT0069	45
GT0071	45
GT0072	45
GT0073	45
GT0075	45
GT0076	45
GT0077	45

Catalog No.	Page #
GT0079	45
GT0080	46
GT0081	46
GT0083	46
GT0084	46
GT0086	46
GT0110	44
GT0113	44
GT0116	44
GT0119	44
GT0146	46
GT0149	47
GT0152	47
GT0155	47
GT0159	44
GT0162	45
GT0165	45
GT0167	45
GT0173	45
GT0177	45
GT0181	46
GT0184	46
GT0210	48
GT0212	48
GT0213	48
GT0215	48
GT0216	48
GT0218	48
GT0219	48
GT0221	48
GT0246	49
GT0259	48
GT0261	48
GT0262	48
GT0264	48
GT0265	48
GT0267	49
GT0269	49
GT0272	49
GT0273	49
GT0276	49
GT0277	49
GT0280	49
GT0281	49
GT0283	49
GT0284	49
GT0286	49
GT0410A	126
GT0412A	126
GT0413A	126

Gearmotors

AC / DC Controls

Accessories / Kits

Mods / Factory Options

X-Ref / Index

Tech Information

Warnings/Cautions



LEESON® Catalog Number Index

Motors, Sub-FHP Gearmotors, Drives and Accessories

Gearmotors

AC / DC Controls

Accessories / Kits

Mods / Factory Options

X-Ref / Index

Tech Information

Warnings/Cautions

Catalog No.	Page #
GT0415A	126
GT0416A	126
GT0418A	126
GT0419A	126
GT0421A	126
GT0459	126
GT0461	127
GT0462	127
GT0464	127
GT0465	127
GT0467	127
GT0469	127
GT0472	127
GT0473	127
GT0476	127
GT0477	127
GT0561	127
GT0562	127
GT0564	127
GT0565	127
GT0567	127
GT0569	127
GT0572	127
GT0573	127
GT0576	127
GT0577	127
GT1005A	66
GT1008A	66
GT1009A	66
GT1010A	66
GT1011A	66
GT1012A	66
GT1013A	66
GT1014A	66
GT1015A	67
GT1016A	67
GT1017A	67
GT1018A	67
GT1019A	67
GT1020A	67
GT1022A	67
GT1023A	67
GT1024A	67
GT1025A	67
GT1026A	67
GT1027A	68
GT1028A	68
GT1029A	68
GT1030A	68
GT1031A	68

Catalog No.	Page #
GT1032A	68
GT1033A	68
GT1034A	68
GT1035A	68
GT1036A	68
GT1037A	68
GT1038A	68
GT1039A	69
GT1040A	69
GT1041A	69
GT1042A	69
GT1043A	69
GT1044A	69
GT1045A	69
GT1046A	69
GT1047A	69
GT1048A	69
GT1049A	69
GT1050A	69
GT1051A	70
GT1052A	70
GT1053A	70
GT1054A	70
GT1055A	70
GT1056A	70
GT1057	68
GT1058	68
GT1059	68
GT1060	68
GT1061	69
GT1062	69
GT1063	69
GT1064	69
GT1065	70
GT1066	70
GT1105A	66
GT1108A	66
GT1109A	66
GT1110A	66
GT1111A	66
GT1112A	66
GT1113A	66
GT1114A	66
GT1115A	67
GT1116A	67
GT1117A	67
GT1118A	67
GT1119A	67
GT1120A	67
GT1121A	67

Catalog No.	Page #
GT1122A	67
GT1123A	67
GT1124A	67
GT1125A	67
GT1126A	67
GT1127A	68
GT1128A	68
GT1129A	68
GT1130A	68
GT1131A	68
GT1132A	68
GT1133A	68
GT1134A	68
GT1135A	68
GT1136A	68
GT1137A	68
GT1138A	68
GT1139A	69
GT1140A	69
GT1141A	69
GT1142A	69
GT1143A	69
GT1144A	69
GT1145A	69
GT1146A	69
GT1147A	69
GT1148A	69
GT1149A	69
GT1150A	69
GT1151A	70
GT1152A	70
GT1153A	70
GT1154A	70
GT1155A	70
GT1156A	70
GT1209A	71
GT1210A	71
GT1212A	71
GT1213A	71
GT1215A	71
GT1216A	71
GT1218A	71
GT1219A	71
GT1221A	71
GT1222A	71
GT1224A	71
GT1225A	71
GT1227A	71
GT1228A	71
GT1230A	72

Catalog No.	Page #
GT1231A	72
GT1233A	72
GT1234A	72
GT1236A	72
GT1237A	72
GT1239A	72
GT1240A	72
GT1242A	72
GT1243A	72
GT1245A	72
GT1246A	72
GT1248A	71
GT1309A	73
GT1310A	73
GT1312A	73
GT1313A	73
GT1315A	73
GT1316A	73
GT1318A	73
GT1319A	73
GT1409A	71
GT1410A	71
GT1412A	71
GT1413A	71
GT1415A	71
GT1416A	71
GT1418A	71
GT1419A	71
GT1421A	71
GT1422A	71
GT1511	66
GT1514	66
GT1515	67
GT1516	67
GT1518	67
GT1519	67
GT2110	48
GT2113	48
GT2116	48
GT2119	48
GT2159	48
GT2162	48
GT2165	48
GT2167	49
GT2173	49
GT2177	49
GT2415A	124
GT2416A	124
GT2418A	124
GT2419A	124



LEESON® Catalog Number Index

Motors, Sub-FHP Gearmotors, Drives and Accessories

Catalog No.	Page #
GT2421A	124
GT2459	124
GT2461	124
GT2462	124
GT2464	124
GT2465	124
GT2467	124
GT2469	124
GT2472	124
GT2473	124
GT2476	124
GT2477	124
GT2515A	124
GT2516A	124
GT2518A	124
GT2519A	124
GT2521A	124
GT2559	124
GT2561	124
GT2562	124
GT2564	124
GT2565	124
GT2567	124
GT2569	124
GT2572	124
GT2573	124
GT2576	124
GT2577	124
GT3109A	128
GT3110A	128
GT3112A	128
GT3113A	128
GT3115A	128
GT3116A	128
GT3118A	129
GT3119A	129
GT3121A	129
GT3122A	129
GT3124A	129
GT3125A	129
GT3127A	129
GT3128A	129
GT3130A	129
GT3131A	129
GT3133A	129
GT3134A	129
GT3136A	129
GT3137A	129
GT3209A	128
GT3210A	128

Catalog No.	Page #
GT3212A	128
GT3213A	128
GT3215A	128
GT3216A	128
GT3218A	129
GT3219A	129
GT3221A	129
GT3222A	129
GT3224A	129
GT3225A	129
GT3227A	129
GT3228A	129
GT3230A	129
GT3231A	129
GT3233A	129
GT3234A	129
GT3236A	129
GT3237A	129
GT3409A	130
GT3410A	130
GT3412A	130
GT3413A	130
GT3415A	130
GT3416A	130
GT3418A	130
GT3419A	130
GT3421A	131
GT3422A	131
GT3424A	131
GT3425A	131
GT3427A	131
GT3428A	131
GT3430A	131
GT3431A	131
GT3433A	131
GT3434A	131
GT3436A	131
GT3437A	131
GT3509A	130
GT3510A	130
GT3512A	130
GT3513A	130
GT3515A	130
GT3516A	130
GT3518A	130
GT3519A	130
GT3521A	131
GT3522A	131
GT3524A	131
GT3525A	131

Catalog No.	Page #
GT3527A	131
GT3528A	131
GT3530A	131
GT3531A	131
GT3533A	131
GT3534A	131
GT3536A	131
GT3537A	131
KIT 210VTPDC10	137
KIT 210VTPDC12	137
KIT 213/5CPL.751	134
KIT 213/5CPL.1.001	134
KIT 213-256BSH.750	136
KIT 213-256BSH.875	136
KIT 213-256BSH.937	136
KIT 213-256BSH1.000	136
KIT 250VTPDC10	137
KIT 250VTPDC12	137
KIT 250VTPDC16	137
KIT 254/256BSH1.187	136
KIT 254/256BSH1.250	136
KIT 254/6CPL.1.001	134
KIT 254/6CPL.1.001B	134
KIT 254/6CPL.1.188	134
KIT 254/6CPL.1.251	134
KIT 280VTPDC10	137
KIT 280VTPDC12	137
KIT 280VTPDC16	137
KIT 284/6BSH.750	136
KIT 284/6BSH.875	136
KIT 284/6BSH1.000	136
KIT 284/6BSH1.187	136
KIT 284/6BSH1.250	136
KIT 284/6CPL.751B	134
KIT 284/6CPL.1.001	134
KIT 284/6CPL.1.188	134
KIT 284/6CPL.1.251	134
KIT 320VTPDC12	137
KIT 320VTPDC16	137
KIT 324/6BSH1.000	136
KIT 324/6BSH1.126	136
KIT 324/6BSH1.187	136
KIT 324/6BSH1.250	136
KIT 324/6BSH1.437	136
KIT 324/6BSH1.500	136
KIT 324-365CPL1.001	134
KIT 324-365CPL1.001B	134
KIT 324-365CPL1.188	134
KIT 324-365CPL1.251A	134
KIT 324-365CPL1.251B	134

Catalog No.	Page #
KIT 324-365CPL1.438	134
KIT 324-365CPL1.501	134
KIT 360VTPDC12	137
KIT 360VTPDC16	137
KIT 364/5BSH1.000	136
KIT 364/5BSH1.126	136
KIT 364/5BSH1.187	136
KIT 364/5BSH1.250	136
KIT 364/5BSH1.437	136
KIT 364/5BSH1.500	136
KIT 400VTPDC16	137
KIT 400VTPDC20	137
KIT 404/5CPL1.001B	134
KIT 404/5CPL1.188	134
KIT 404/5CPL1.251	134
KIT 404/5CPL1.438	134
KIT 404/5CPL1.501	134
KIT 404/5CPL1.688	134
KIT 404/5CPL1.751	134
KIT 404-445BSH1.000	136
KIT 404-445BSH1.187	136
KIT 404-445BSH1.250	136
KIT 404-445BSH1.437	136
KIT 404-445BSH1.500	136
KIT 404-445BSH1.687	136
KIT 404-445BSH1.750	136
KIT 444/5CPL1.188	134
KIT 444/5CPL1.188B	134
KIT 444/5CPL1.501	134
KIT 444/5CPL1.688	134
KIT 444/5CPL1.751	134
KIT 444/5CPL1.938	134
KIT 444/5VTPDC16	137
KIT 444/5VTPDC20	137
KIT 444/5VTPDC24	137
KIT 447/9BSH1.437	136
KIT 447/9BSH1.500	136
KIT 447/9BSH1.687	136
KIT 447/9BSH1.750	136
KIT 447/9BSH1.937	136
KIT 447/9BSH2.000	136
KIT 447/9BSH2.062	136
KIT 447/9BSH2.125	136
KIT 447/9BSH2.187	136
KIT 447/9BSH2.250	136
KIT 447/9BSH2.375	136
KIT 447/9BSH2.437	136
KIT 447/9BSH2.500	136
KIT 447/9CPL1.501	134
KIT 447/9CPL1.501B	134

Gearmotors

AC / DC Controls

Accessories / Kits

Motors / Factory Options

X-Ref / Index

Tech Information

Warnings/Cautions



LEESON® Catalog Number Index

Motors, Sub-FHP Gearmotors, Drives and Accessories

Gearmotors

AC / DC Controls

Accessories / Kits

Mods / Factory Options

X-Ref / Index

Tech Information

Warnings/Cautions

Catalog No.	Page #
KIT 447/9CPL1.688	134
KIT 447/9CPL1.938	134
KIT 447/9CPL2.188	134
KIT 447/9CPL2.251	134
KIT 447/9VTPDC16	137
KIT 447/9VTPDC20	137
KIT 447/9VTPDC24	137
LM03285	85
LM03333	85
LM03377	85
LM03425	85
LM03473	85
LM04003	85
LM06103	81
LM06105	81
LM06121	81
LM06125	82
LM08476	414
LM08478	414
LM08582	414
LM08664	414
LM08665	414
LM08709	414
LM08720	414
LM08738	414
LM08827	414
LM10336	81
LM10338	81
LM10339	81
LM10340	81
LM10346	85
LM10347	85
LM10349	85
LM10350	85
LM12429	414
LM12430	414
LM12454	414
LM12463	414
LM12479	414
LM13699	56
LM13701	56
LM13704	57
LM13707	57
LM13709	57
LM13710	57
LM13711	57
LM13712	57
LM13713	57
LM13715	57
LM13719	57

Catalog No.	Page #
LM13724	64
LM13726	64
LM13728	64
LM13730	65
LM13731	65
LM13733	65
LM13734	65
LM13736	65
LM13737	65
LM13764	40
LM13767	40
LM13795	43
LM13811	39
LM13813	39
LM13814	39
LM13817	40
LM13820	40
LM13822	40
LM13825	40
LM13826	40
LM13831	40
LM13832	40
LM13837	43
LM13838	43
LM13839	43
LM13840	43
LM13940	56
LM13942	40
LM13943	39
LM13960	56
LM13961	56
LM13964	56
LM13969	39
LM14408	238
LM14410	238
LM14411	238
LM14535	43
LM14561	240
LM14562	240
LM14564	240
LM14565	240
LM14642	98
LM14809	56
LM14811	56
LM14812	39
LM14813	39
LM14814	39
LM14815	39
LM15119	238
LM15120	238

Catalog No.	Page #
LM15121	238
LM15122	238
LM15123	238
LM15126	238
LM15129	238
LM15130	238
LM15138	238
LM15263	65
LM15563	65
LM15565	64
LM15567	65
LM15568	64
LM15569	43
LM15570	43
LM15572	43
LM15670	55
LM15671	55
LM15672	55
LM15673	55
LM15674	55
LM15675	55
LM15869	55
LM16029	55
LM16030	54
LM16031	55
LM16032	55
LM16033	55
LM16222	57
LM16235	40
LM16237	40
LM16239	40
LM16391	237
LM16572	414
LM16574	414
LM16577	414
LM16644	98
LM16650	98
LM16719	65
LM16744	62
LM16745	63
LM16748	63
LM16752	63
LM16753	63
LM16755	63
LM16757	63
LM16759	63
LM16762	64
LM16767	64
LM16769	64
LM16772	64

Catalog No.	Page #
LM16774	64
LM16828	60
LM16919	98
LM17076	238
LM17079	238
LM17186	240
LM17187	240
LM17189	240
LM17190	240
LM17192	240
LM17193	240
LM17195	240
LM17196	240
LM17198	240
LM17199	240
LM17382	43
LM17384	43
LM17388	43
LM17389	43
LM17390	43
LM17956	57
LM18290	238
LM18306	241
LM18307	238
LM18369	238
LM18370	238
LM18375	238
LM18376	238
LM18864	414
LM18865	414
LM18866	414
LM18867	414
LM18868	414
LM18869	414
LM18870	414
LM18871	414
LM18872	414
LM18873	414
LM18874	414
LM18875	414
LM18876	414
LM19530	114
LM19532	114
LM19534	114
LM19535	114
LM20029	114
LM20030	114
LM20037	240
LM20038	240
LM20040	240



LEESON® Catalog Number Index

Motors, Sub-FHP Gearmotors, Drives and Accessories

Catalog No.	Page #
LM20041	240
LM20043	240
LM20044	240
LM20086	238
LM20087	240
LM20088	240
LM20116	405
LM20389	113
LM20390	113
LM20391	113
LM20392	113
LM20394	113
LM20707	113
LM20708	113
LM20709	113
LM21084	113
LM21085	113
LM21087	113
LM21088	114
LM21089	114
LM21091	114
LM21092	114
LM21093	114
LM21094	114
LM21118	88
LM21121	88
LM21124	88
LM21127	88
LM21148	88
LM21151	88
LM21153	88
LM21157	88
LM21159	88
LM21162	88
LM21165	88
LM21168	88
LM21171	88
LM21180	88
LM21189	86
LM21190	86
LM21192	86
LM21193	86
LM21195	86
LM21196	86
LM21198	86
LM21199	86
LM21201	86
LM21202	86
LM21204	86
LM21205	86

Catalog No.	Page #
LM21208	86
LM21211	86
LM21214	86
LM21217	86
LM21220	86
LM21223	86
LM21227	86
LM21230	86
LM21233	86
LM21236	86
LM21238	86
LM21239	86
LM21378	113
LM21379	113
LM21380	113
LM21381	113
LM21384	113
LM21385	113
LM21388	114
LM21391	114
LM21665	113
LM21799	114
LM21807	114
LM21826	115
LM21827	115
LM21828	115
LM21829	115
LM21831	115
LM21832	115
LM21833	115
LM21836	115
LM21840	115
LM21841	115
LM21843	115
LM21844	115
LM21845	115
LM21846	115
LM21847	115
LM21848	115
LM21850	115
LM21851	115
LM21853	115
LM21854	115
LM21856	115
LM21857	115
LM21859	115
LM21862	115
LM21866	115
LM21872	115
LM21877	115

Catalog No.	Page #
LM21883	115
LM21886	115
LM21890	115
LM21893	115
LM21896	115
LM22093	414
LM22188	414
LM22645	87
LM22649	87
LM22653	87
LM22655	87
LM22657	87
LM22659	87
LM22660	86
LM22661	87
LM22665	87
LM22759	40
LM22826	87
LM22827	87
LM22830	87
LM22833	87
LM22836	87
LM22839	87
LM22841	87
LM22909	98
LM23781	114
LM23782	114
LM23783	114
LM23784	114
LM24057	401
LM24059	401
LM24060	401
LM24061	401
LM24062	401
LM24063	401
LM24064	401
LM24065	401
LM24066	401
LM24067	401
LM24068	401
LM24069	401
LM24072	114
LM24073	53
LM24074	61
LM24075	53
LM24076	61
LM24077	58
LM24083	58
LM24093	58
LM24102	53

Catalog No.	Page #
LM24103	53
LM24104	61
LM24105	53
LM24107	53
LM24114	61
LM24128	58
LM24129	61
LM24133	53
LM24134	61
LM24136	53
LM24140	61
LM24151	58
LM24154	237
LM24165	53
LM24169	38, 250
LM24190	38
LM24193	38, 250
LM24194	38, 250
LM24199	38, 250
LM24202	38, 250
LM24208	55, 76, 250
LM24209	55
LM24222	38, 250
LM24258	111
LM24259	112
LM24262	112
LM24264	81
LM24265	61
LM24266	111
LM24268	111
LM24273	61
LM24276	53
LM24277	42
LM24291	53
LM24295	237
LM24354	239
LM24355	239
LM24443	195, 226
LM24444	195, 226
LM24445	195, 226
LM24446	195, 226
LM24447	195, 226
LM24448	195, 226
LM24449	195, 226
LM24450	195, 226
LM24462	205
LM24463	205
LM24486	210, 232
LM24487	210, 232
LM24488	209, 231

Gearmotors

AC / DC Controls

Accessories / Kits

Mods / Factory Options

X-Ref / Index

Tech Information

Warnings/Cautions



LEESON® Catalog Number Index

Motors, Sub-FHP Gearmotors, Drives and Accessories

Gearmotors

AC / DC Controls

Accessories / Kits

Mods / Factory Options

X-Ref / Index

Tech Information

Warnings/Cautions

Catalog No.	Page #
LM24491	209, 231
LM24492	209, 231
LM24497	24
LM24513	24
LM24515	24
LM24521	201, 205
LM24530	27
LM24531	24
LM24532	24
LM24535	27
LM24539	28
LM24546	23
LM24597	23
LM24598	26
LM24599	26
LM24600	28
LM24602	23
LM24604	23
LM24606	23
LM24607	24
LM24610	24
LM24613	26
LM24614	27
LM24615	28
LM24616	28
LM24622	27
LM24627	23
LM24628	28
LM24631	401
LM24677	18
LM24681	18
LM24682	18, 249
LM24683	18, 249
LM24684	18, 249
LM24687	17, 249
LM24706	23
LM24709	24
LM24710	24
LM24711	24
LM24712	25
LM24713	25
LM24714	25
LM24716	25
LM24718	25
LM24719	25
LM24720	25
LM24721	25
LM24722	25
LM24723	28
LM24725	28

Catalog No.	Page #
LM24726	28
LM24727	28
LM24728	28
LM24729	29
LM24731	29
LM24733	26
LM24734	26
LM24735	26
LM24736	26
LM24738	26
LM24739	26
LM24740	27
LM24743	23
LM24744	24
LM24745	24
LM24746	24
LM24776	209, 230
LM24777	209, 230
LM24778	197, 228
LM24780	197, 228
LM24781	197, 228
LM24782	197, 228
LM24786	210, 232
LM24787	210, 232
LM24788	210, 232
LM24789	192
LM24790	192
LM24791	192
LM24792	192
LM24793	192
LM24794	192
LM24795	192
LM24797	192
LM24798	192
LM24799	192
LM24802	193
LM24803	193
LM24804	193
LM24805	193
LM24807	401
LM24808	400, 401
LM24809	210, 232
LM24810	400, 401
LM24811	404
LM24814	205
LM24815	404
LM24858	58
LM24871	37, 250
LM24875	37, 250
LM24929	53

Catalog No.	Page #
LM24946	61
LM24949	61
LM24964	58
LM24965	58
LM24967	58
LM25063	241
LM25112	112
LM25114	112
LM25115	111
LM25116	111
LM25117	112
LM25119	112
LM25121	112
LM25123	111
LM25124	111
LM25125	112
LM25126	111
LM25127	111
LM25128	112
LM25129	111
LM25131	112
LM25133	111
LM25134	112
LM25135	112
LM25136	112
LM25139	112
LM25149	112
LM25151	112
LM25153	112
LM25154	112
LM25158	112
LM25632	414
LM25736	401, 404
LM25737	401
LM25738	401
LM25739	404
LM25740	401
LM25962	87
LM25991	86
LM26008	87
LM26081	87
LM26098	86
LM26109	85
LM26233	81
LM26278	85
LM26323	87
LM26359	81
LM26679	405
LM27576	404
LM27681	404

Catalog No.	Page #
LM27971	265
LM27976	263
LM28114	262
LM28115	262
LM28116	262
LM28117	262
LM28118	262
LM28119	262
LM28120	262
LM28121	262
LM28122	262
LM28123	262
LM28124	262
LM28125	262
LM28126	262
LM28127	262
LM28128	262
LM28129	262
LM28131	262
LM28132	263
LM28133	263
LM28134	263
LM28135	263
LM28136	263
LM28137	263
LM28138	263
LM28139	263
LM28140	263
LM28141	263
LM28142	263
LM28143	263
LM28144	263
LM28145	263
LM28146	263
LM28147	263
LM28148	263
LM28149	263
LM28150	263
LM28151	263
LM28152	263
LM28153	263
LM28154	263
LM28155	263
LM28156	263
LM28157	263
LM28158	263
LM28159	263
LM28160	263
LM28161	263
LM28162	263



LEESON® Catalog Number Index

Motors, Sub-FHP Gearmotors, Drives and Accessories

Catalog No.	Page #
LM28200	264
LM28201	264
LM28202	264
LM28203	264
LM28204	264
LM28205	264
LM28206	264
LM28207	264
LM28208	264
LM28209	264
LM28210	264
LM28211	264
LM28212	264
LM28213	264
LM28214	264
LM28215	264
LM28216	264
LM28217	264
LM28218	264
LM28219	264
LM28220	265
LM28221	265
LM28222	265
LM28223	265
LM28224	265
LM28501	404
LM28624	404
LM28867	259, 261
LM28868	259, 261
LM28873	259, 261
LM28874	259, 261
LM28879	259, 261
LM28880	259, 261
LM28897	260, 261
LM28898	260, 261
LM28903	260, 261
LM28904	260, 261
LM28909	260, 261
LM28910	260, 261
LM28914	260, 261
LM28968	55
LM29576	38
LM29577	39
LM29579	88
LM29656	267
LM29657	267
LM29658	267
LM29659	267
LM29660	267
LM29661	267

Catalog No.	Page #
LM29662	267
LM29663	267
LM29664	267
LM29665	267
LM29666	267
LM29667	267
LM29668	267
LM29669	267
LM29670	267
LM29671	267
LM29672	267
LM29673	267
LM29850	259, 261
LM29851	259, 261
LM29852	260, 261
LM29853	260, 261
LM29936	88
LM30092	259, 261
LM30093	259, 261
LM30094	259, 261
LM30095	259, 261
LM30096	259, 261
LM30097	259, 261
LM30098	259, 261
LM30099	260, 261
LM30100	260, 261
LM30102	260, 261
LM30146	405
LM30147	405
LM30535	262
LM30561	265
LM30572	85
LM30647	263
LM30648	263
LM30649	263
LM30650	263
LM30655	264
LM30663	264
LM30676	262
LM30677	262
LM30678	262
LM30679	262
LM30680	262
LM30681	262
LM30682	262
LM30696	242
LM30702	265
LM30720	263
LM30721	263
LM30722	263

Catalog No.	Page #
LM30723	263
LM30724	263
LM30725	263
LM30727	88
LM30732	264
LM30733	264
LM30734	264
LM30735	264
LM30736	264
LM30737	264
LM30739	264
LM30740	264
LM30748	264
LM30749	264
LM30750	264
LM30751	264
LM30752	264
LM30753	264
LM30754	264
LM30755	264
LM30756	265
LM30757	265
LM30760	264
LM30762	265
LM30763	265
LM30764	265
LM30881	265
LM31014	404
LM31019	404
LM31393	262
LM31463	85
LM31607	264
LM31752	265
LM31777	267
LM32143	40
LM32284	404
LM32285	404
LM32286	404
LM32288	404
LM32290	404
LM32291	404
LM32292	404
LM32293	404
LM32396	415
LM32397	415
LM32398	415
LM32399	415
LM32401	415
LM32402	415
LM32403	415

Catalog No.	Page #
LM32405	415
LM32407	415
LM32409	415
LM32411	415
LM32649	42
LM32651	260, 261
LM32652	64
LM32653	65
LM32654	64
LM32655	43
LM32656	43
LM32657	43
LM32659	65, 65
LM32660	65, 65
LM32663	260, 261
LM32665	65
LM32669	56
LM32671	56
LM32672	56
LM32674	39
LM32677	43
LM32679	57
LM32682	39
LM32686	56
LM32687	39
LM32691	242
LM32731	38
LM32740	38
LM32741	54, 76, 250
LM32743	38
LM32746	38
LM32748	38
LM32749	39
LM32750	39
LM32751	39
LM32752	39
LM32753	39
LM32754	39
LM32755	39
LM32756	39
LM32757	39
LM32758	40
LM32759	40
LM32760	40
LM32761	40
LM32778	42
LM32781	42
LM32783	43
LM32785	43
LM32786	43

Gearmotors

AC / DC Controls

Accessories / Kits

Motors / Factory Options

X-Ref / Index

Tech Information

Warnings/Cautions



LEESON® Catalog Number Index

Motors, Sub-FHP Gearmotors, Drives and Accessories

Gearmotors

AC / DC Controls

Accessories / Kits

Mods / Factory Options

X-Ref / Index

Tech Information

Warnings/Cautions

Catalog No.	Page #
LM32787	43
LM32788	43
LM32789	43
LM32796	53
LM32802	55
LM32803	55
LM32805	55, 76, 250
LM32807	55
LM32808	55
LM32809	55, 76, 250
LM32811	56
LM32813	56
LM32815	56
LM32819	56
LM32820	57
LM32822	61
LM32823	61
LM32825	62
LM32829	62
LM32835	63
LM32836	63
LM32839	63
LM32840	63
LM32841	63
LM32842	64
LM32843	64
LM32844	65
LM32845	65
LM32846	59
LM32856	98
LM32857	98
LM32862	98
LM32869	98
LM32873	98
LM32876	98
LM32879	98
LM32882	98
LM32885	98
LM32887	98
LM32890	98
LM32893	98
LM32896	98
LM32899	98
LM32902	98
LM32905	98
LM33046	259, 261
LM33048	260, 261
LM33121	53
LM33122	54
LM33123	54

Catalog No.	Page #
LM33124	54
LM33125	54
LM33262	54
LM33266	76, 250
LM33337	59
LM33484	63
LM33485	62
LM33486	54
LM33487	55
LM33491	85
LM33492	81
LM33561	54
LM33562	54
LM33563	54
LM33564	54
LM33565	55
LM33566	61
LM33567	62
LM33569	62
LM33570	62
LM33571	63
LM33573	59
LM33574	59
LM33575	59
LM33591	81
LM33595	85
LM33601	237
LM33603	237
LM33611	239
LM33613	239
LM33615	239
LM33617	239
LM33621	242
LM33624	242
LM33803	57
LM34006	54
LM34048	37
LM34049	37
LM34050	37
LM34051	37
LM34052	37
LM34053	37
LM34054	38
LM34055	42
LM34056	42
LM34057	42
LM34058	42
LM34059	19
LM34060	19
LM34061	241

Catalog No.	Page #
LM34062	241
LM34063	241
LM34064	241
LM34065	241
LM34066	241
LM34067	241
LM34068	241
LM34069	241
LM34097	40
LM34098	57
LM34101	98
LM34108	113
LM34109	114
LM34110	114
LM34112	115
LM34113	115
LM34114	115
LM34115	113
LM34117	237
LM34118	241
LM34119	241
LM34120	241
LM34121	241
LM34123	241
LM34126	241
LM34127	241
LM34128	242
LM34129	242
LM34130	242
LM34134	242
LM34139	53
LM34140	53
LM34141	53
LM34142	54
LM34144	54
LM34145	54
LM34149	242
LM34153	59
LM34154	59
LM34155	59
LM34158	59
LM34159	59
LM34160	59
LM34161	59
LM34162	59
LM34163	59
LM34165	59
LM34166	60
LM34167	61
LM34168	61

Catalog No.	Page #
LM34169	61
LM34170	62
LM34171	62
LM34172	62
LM34173	62
LM34174	62
LM34178	111
LM34180	112
LM34181	112
LM34214	237
LM34215	237
LM34216	237
LM34217	237
LM34218	239
LM34221	239
LM34222	239
LM34223	239
LM34224	239
LM34225	239
LM34227	239
LM34228	239
LM34229	239
LM34230	239
LM34231	241
LM34232	242
LM34233	242
LM34263	54
LM34264	54
LM34333	114
LM34334	115
LM34335	115
LM34336	115
LM34337	115
LM34340	238
LM34341	241
LM34342	241
LM34353	59
LM34354	113
LM34355	113
LM34356	114
LM34365	99
LM34366	99
LM34368	99
LM34370	99
LM34371	99
LM34373	99
LM34375	99
LM34377	99
LM34378	99
LM34380	99



LEESON® Catalog Number Index

Motors, Sub-FHP Gearmotors, Drives and Accessories

Catalog No.	Page #
LM34381	99
LM34382	99
LM34432	238
LM34481	17
LM34528	57
LM34555	57
LM34573	57
LM80018	141
LM80020	141
LM80022t	141
LM80027	141
LM80028	141
LM80029	141
LM80030	141
LM80031	141
LM80032	141
LM80033	141
LM80034	141
LM80035	141
LM80036	141
LM80037	141
LM80039	141
LM80041	141
LM80043	141
LM80045	141
LM80047	141
LM80049	141
LM80050	140
LM80051	140
LM80053	140
LM80055	140
LM80056	140
LM80057	140
LM80058	140
LM80059	140
LM80060	140
LM80061	140
LM80062	140
LM80063	140
LM80064	140
LM80065	140
LM80066	140
LM80067	140
LM80068	140
LM80069	140
LM80070	140
LM80071	140
LM80072	140
LM80073	140
LM80074	140

Catalog No.	Page #
LM80075	140
LM80076	140
LM80077	140
LM80078	140
LM80079	140
LM80080	140
LM80081	140
LM80082	141
LM80083	141
LM80084	141
LM80085	141
LM80086	141
LM80087	141
LM80088	141
LM80089	141
LM80090	141
LM80091	141
LM80092	141
LM80093	141
LM80094	141
LM80095	141
LM80096	141
LM80098	141
LM80100	141
LM80102	141
LM80103	138
LM80104	138
LM80105	138
LM80106	138
LM80107	138
LM80108	138
LM80109	138
LM80110	138
LM80111	138
LM80112	138
LM80113	138
LM80114	138
LM80115	138
LM80116	138
LM80117	138
LM80118	138
LM80119	138
LM80120	138
LM80121	138
LM80122	138
LM80123	138
LM80124	138
LM80125	138
LM80126	138
LM80127	138

Catalog No.	Page #
LM80128	138
LM80129	139
LM80130	139
LM80131	139
LM80132	139
LM80133	139
LM80134	139
LM80135	139
LM80136	139
LM80137	139
LM80138	139
LM80139	139
LM80140	139
LM80141	139
LM80142	139
LM80143	139
LM80144	139
LM80145	139
LM80146	139
LM80147	139
LM80148	139
LM80149	139
LM80150	139
LM80151	139
LM80152	139
LM80153	139
LM80154	139
LM80155	139
LM80156	139
LM80157	139
LM80158	139
LM80159	139
LM80160	139
LM80161	139
LM80162	139
LM80163	139
LM80164	139
LM80165	139
LM80166	139
LM80167	139
LM80168	139
LM80169	139
LM80170	139
LM80171	139
LM80172	139
LM80173	139
LM80174	139
LM80175	139
LM80176	139
LM80178	139

Catalog No.	Page #
LM80180	139
LM80182	139
LM80183	141
LM80184	141
LM80185	141
LM80186	141
LM80187	141
LM80188	141
LM80189	141
LM80190	141
LM80191	141
LM80192	141
LM80193	141
LM80194	141
LM80195	141
LM80196	141
LM80197	141
LM80198	141
LM80199	141
LM80200	141
LM80201	141
LM80202	141
LM80203	141
LM80204	141
LM80238	139
LM80239	139
LM80240	139
LM80241	139
LM80242	139
LM80243	139
LM80244	139
LM80245	139
LM80260	138
LM80261	138
LM80262	138
LM80263	138
LM80264	138
LM80265	138
LM80266	138
LM80267	138
LM80268	138
LM80269	138
LM80270	139
LM80271	139
LM80272	139
LM80273	139
M002256.00	207
M099251.00	220
M099260.00	194
M099261.00	194

Gearmotors

AC / DC Controls

Accessories / Kits

Mods / Factory
Options

X-Ref / Index

Tech Information

Warnings/Cautions



LEESON® Catalog Number Index

Motors, Sub-FHP Gearmotors, Drives and Accessories

Gearmotors

AC / DC Controls

Accessories / Kits

Mods / Factory Options

X-Ref / Index

Tech Information

Warnings/Cautions

Catalog No.	Page #
M1110003.00	310
M1110006.00	319
M1110014.00	310
M1110015.00	310
M1110024.00	299, 313
M1110025.00	302, 318
M1110026.00	302, 318
M1115000.00	329
M1115001.00	329
M1115002.00	329
M1115018.00	339
M1115019.00	339
M1115020.00	339
M1115021.00	339
M1115022.00	339
M1115024.00	331
M1115025.00	331
M1115026.00	331
M1115027.00	331
M1115028.00	331
M1115029.00	331
M1120013.00	310
M1120014.00	310
M1120027.00	310
M1120039.00	310
M1120040.00	319
M1120041.00	310
M1120042.00	310
M1120043.00	310
M1120044.00	319
M1120045.00	310
M1120046.00	319
M1120058.00	310
M1120059.00	310
M1120060.00	310
M1120062.00	310
M1120181.00	159, 311
M1120182.00	159, 311
M1120183.00	159, 311
M1120184.00	159, 311
M1120185.00	159, 311
M1120186.00	159, 311
M1125002.00	329
M1125003.00	329
M1125004.00	329
M1125005.00	329
M1125006.00	329
M1125033.00	329
M1125034.00	329
M1125035.00	329

Catalog No.	Page #
M1125036.00	329
M1125037.00	329
M1125038.00	331
M1125039.00	331
M1125040.00	331
M1125041.00	331
M1125046.00	329
M1125047.00	329
M1125048.00	329
M1125050.00	349
M1125069.00	331
M1125070.00	331
M1125071.00	331
M1125072.00	331
M1125073.00	331
M1125074.00	331
M1125080.00	356
M1125081.00	356
M1125082.00	356
M1125083.00	356
M1125084.00	356
M1125092.00	331
M1125093.00	331
M1125094.00	331
M1125127.00	349
M1125128.00	349
M1125129.00	349
M1125130.00	349
M1125131.00	349
M1125132.00	349
M1125133.00	349
M1125213.00	329
M1125214.00	329
M1125215.00	329
M1125217.00	331
M1125218.00	331
M1125219.00	331
M1125220.00	331
M1125247.00	333
M1125248.00	333
M1125249.00	333
M1125250.00	333
M1125251.00	333
M1125252.00	333
M1125253.00	333
M1125254.00	333
M1125255.00	333
M1125256.00	333
M1125261.00	162, 343
M1125262.00	162, 343

Catalog No.	Page #
M1125263.00	162, 343
M1125264.00	162, 343
M1125265.00	162, 343
M1125266.00	162, 343
M1125267.00	162, 343
M1125268.00	163, 345
M1125269.00	163, 345
M1125270.00	163, 345
M1125271.00	163, 345
M1125272.00	163, 345
M1125273.00	163, 345
M1125274.00	163, 345
M1125275.00	165, 347
M1125276.00	165, 347
M1125277.00	165, 347
M1125278.00	165, 347
M1125279.00	165, 347
M1125280.00	165, 347
M1125281.00	165, 347
M1125282.00	360
M1125283.0	360
M1125284.00	360
M1125285.00	360
M1125286.00	360
M1130053.00	310
M1130054.00	310
M1130055.00	310
M1130118.00	310
M1130119.00	310
M1130120.00	310
M1130136.00	299, 313
M1130137.00	299, 313
M1130138.00	299, 313
M1130139.00	299, 313
M1130140.00	299, 313
M1130141.00	299, 313
M1130142.00	299, 313
M1130143.00	299, 313
M1130146.00	298, 312
M1130147.00	298, 312
M1130148.00	298, 312
M1130149.00	298, 312
M1130150.00	298, 312
M1130151.00	298, 312
M1130152.00	298, 312
M1130153.00	298, 312
M1130206.00	302, 318
M1130207.00	302, 318
M1130296.00	302, 318
M1130297.00	302, 318

Catalog No.	Page #
M1135038.00	339
M1135039.00	339
M1135040.00	339
M1135041.00	339
M1135042.00	339
M1135043.00	339
M1135044.00	339
M1135045.00	339
M1135046.00	339
M1135053.00	339
M1135054.00	339
M1135055.00	339
M1135056.00	339
M1135057.00	339
M1135058.00	339
M1135059.00	339
M1135060.00	339
M1135061.00	339
M1135062.00	339
M1135063.00	339
M1135064.00	339
M1135065.00	339
M1135066.00	339
M1135069.00	339
M1135106.00	335
M1135107.00	335
M1135108.00	335
M1135109.00	335
M1135110.00	335
M1135111.00	335
M1135112.00	335
M1135113.00	335
M1135114.00	335
M1135115.00	335
M1135116.00	335
M1135117.00	335
M1135139.00	335
M1135140.00	335
M1135141.00	335
M1135142.00	335
M1135143.00	335
M1135144.00	335
M1135145.00	335
M1135146.00	335
M1135147.00	335
M1135148.00	335
M1135149.00	335
M1135150.00	335
M1135243.00	335
M1135244.00	335



LEESON® Catalog Number Index

Motors, Sub-FHP Gearmotors, Drives and Accessories

Catalog No.	Page #
M1135245.00	335
M1135246.00	335
M1135249.00	339, 339
M1135250.00	339, 339
M1135251.00	339, 339
M1135252.00	339, 339
M1135284.00	341
M1135285.00	341
M1135286.00	341
M1135287.00	341
M1135288.00	341
M1135289.00	341
M1135290.00	341
M1135291.00	341
M1135292.00	341
M1135293.00	341
M1135294.00	341
M1135295.00	341
M1135296.00	341
M1135297.00	341
M1140171.00	77, 89
M1140172.00	77, 89
M1140173.00	77, 89
M1145023.00	351
M1145024.00	351
M1145025.00	351
M1145026.00	351
M1145027.00	351
M1145028.00	351
M1145029.00	351
M1145030.00	351
M1145031.00	351
M1145032.00	351
M1145033.00	351
M1145034.00	351
M1145035.00	351
M1145037.00	356
M1145038.00	356
M1145039.00	356
M1145040.00	356
M1145041.00	356
M1145082.00	356
M1145122.00	360
M1145123.00	360
M1145124.00	360
M1145125.00	360
M1145126.00	360
M1145127.00	361
M1145128.00	361
M1145129.00	361

Catalog No.	Page #
M1145130.00	361
M1145131.00	361
M1145138.00	161, 351
M1145139.00	161, 351
M1145140.00	161, 351
M1145141.00	166, 357
M1145142.00	166, 357
M1145143.00	166, 357
M1145144.00	161, 351
M1145145.00	161, 351
M1145146.00	166, 357
M1145147.00	166, 357
M1740005.00	365
M1740005.01	365
M1740005.02	365
M1740007.00	365
M1740009.00	365
M1760000.00	358
M1760003.00	358
M1760006.00	358
M1760007.00	358
M1760011.00	358
M1760012.00	358
M1760021.00	358
M1760029.00	358
M900195.00	222
M900196.00	222
M900197.00	222
M900277.00	222
M900599.00	222



Gearmotors

AC / DC Controls

Accessories / Kits

Motors / Factory Options

X-Ref / Index

Tech Information

Warnings/Cautions

MOTOR SELECTION

Electric motors are the workhorses of industry. Many applications exist where more than one motor can be used and/or the exact replacement is not available. Regal makes every effort to maximize interchangeability, mechanically and electrically, where compromise does not interfere with reliability and safety standards. If you are not certain of a replacement condition, contact any LEESON Authorized Distributor or the LEESON District Sales Office.

SELECTION

Identifying a motor for replacement purposes or specifying a motor for new applications can be done easily if the following information is known:

1. Nameplate Data
2. Motor Type
3. Electrical and Performance Characteristics
4. Mechanical Construction

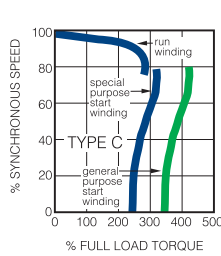
NAMEPLATE DATA

Nameplate data is the most important first step in determining motor replacement. Much of the information needed can generally be obtained from the nameplate of the motor to be replaced. Take time to record all the nameplate information because it can save time, avoid confusion and MISAPPLICATION.

MOTOR TYPE

Alternating current (AC) induction motors are divided into two electrical categories, based on power source—single phase and polyphase (three phase). Direct current (DC) motors are used in applications where precise speed control is required or when battery or generated direct current is the available power source.

TYPICAL SPEED TORQUE CURVES



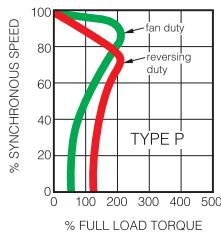
Capacitor Start/Induction Run

A single phase general purpose design, with an electrolytic capacitor in series with the start winding, offering maximum starting torque per ampere.

A centrifugal switch removes the auxiliary winding and capacitor when the motor approaches full load speed. The design is a heavy-duty unit which has approximately 300% (of full load) starting torque. Common applications include compressors, pumps, conveyors and other "hard-to-start" applications.

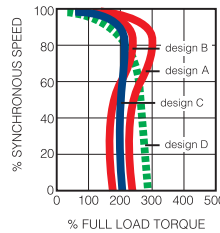
Capacitor Start/Capacitor Run

This design has two capacitors of different values. A centrifugal switch is used to remove the electrolytic capacitor when the motor approaches full load speed. A second run capacitor remains in series with the auxiliary winding during full load operation. This type of design has lower full-load amps as a result of the run capacitor and is consequently used on most higher horsepower single phase motors.



Permanent Split Capacitor (PSC)

This design has an auxiliary winding with a "run" capacitor, but unlike the capacitor start/induction run motor, the capacitor and auxiliary winding remain in the circuit under running conditions. (There is no centrifugal switch on this type motor.) A permanent split capacitor design has low starting torque and low starting current. They are generally used on direct-drive fans and blowers. They can also be designed for higher starting torque and intermittent applications, where rapid reversing is desired.

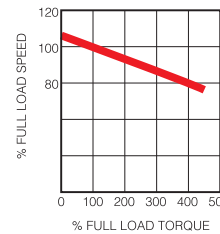


Three Phase or Polyphase

General purpose three phase motors have different electrical design classifications as defined by NEMA®. NEMA Design A and B motors are of normal starting torque with normal starting current. NEMA Design C motors have higher starting torque with normal starting current. All three types have slip of less than 5%. ("Slip" being a term which expresses, as a percentage, the difference between synchronous motor speed and full load motor speed, for example, 1800 rpm synchronous versus a full load speed of 1740 rpm.

NEMA's Design B and C standards are minimum performance standards. In practice, some manufacturers (including Regal) build small integral HP Design B motors with locked rotor and breakdown torque levels equalling NEMA Design C standards.

NEMA T frame motors 1 through 200 HP covered by EAct (identified with a "G" catalog prefix) are labeled Design B, exceed NEMA Design B performance levels, and have efficiencies equal to EAct mandated levels. EAct exempt three phase, base-mounted motors are labeled Design C and have performance characteristics meeting NEMA's Design C standards, with standard motor efficiencies. Motors 250 HP and larger are exempt from EAct legislation.



Permanent Magnet DC

This design has linear speed/torque characteristics over the entire speed range. SCR rated motor features include high starting torque for heavy load applications and dynamic braking, variable speed and reversing capabilities. Designs are also available for use on generated low voltage DC power or remote applications requiring battery power.

ELECTRICAL AND PERFORMANCE CHARACTERISTICS

One of the best ways to guarantee economical performance and long motor life is to make sure your motors operate at nameplate voltage. Applying too high a voltage may reduce the motor's efficiency and increase operating temperatures. The net result is shorter motor life.

Under-voltage can also shorten motor life. Operating on too low a voltage reduces the motor's effective horsepower. The motor will attempt to drive the load it was intended to drive, become overloaded, draw more current than normal, and overheat. Again, the result will be premature failure.

ENCLOSURES AND ENVIRONMENT

DRIP-PROOF: Venting in end frame and/or main frame located to prevent drops of liquid from falling into motor within a 15° angle from vertical. Designed for use in areas that are reasonably dry, clean, and well ventilated (usually indoors). If installed outdoors, it is recommended that the motor be protected with a cover that does not restrict the flow of air to the motor.

TOTALLY ENCLOSED AIR OVER (TEAO): Dust-tight fan and blower duty motors designed for shaft mounted fans or belt driven fans. The motor must be mounted within the airflow of the fan.

TOTALLY ENCLOSED NON-VENTILATED (TENV): No vent openings, tightly enclosed to prevent the free exchange of air, but not airtight. Has no external cooling fan and relies on convection for cooling. Suitable for use where exposed to dirt or dampness, but not for hazardous (explosive) locations.

TOTALLY ENCLOSED FAN COOLED (TEFC): Same as the TENV except has external fan as an integral part of the motor, to provide cooling by blowing air around the outside frame of the motor.

TOTALLY ENCLOSED, HOSTILE AND SEVERE ENVIRONMENT MOTORS: Designed for use in extremely moist or chemical environments, but not for hazardous locations.

TOTALLY ENCLOSED BLOWER COOLED MOTORS (TEBC): Used to extend the safe speed range of inverter-fed motors. Similar to TEFC except a small, constant-speed fan provides uniform airflow regardless of the drive motor's operating speed.

EXPLOSION-PROOF MOTORS: These motors meet Underwriters Laboratories and Canadian Standards Association standards for use in hazardous (explosive) locations, as indicated by the UL label affixed to the motor. Locations are considered hazardous because the atmosphere does or may contain gas, vapor, or dust in explosive quantities.



NEMA® SERVICE FACTORS

HP	Enclosure	RPM		
		3600	1800	1200
1/4 - 1/3	Open	1.35	1.35	1.35
1/2 - 3/4	Open	1.25	1.25	1.25
1 & Larger	Open	1.15	1.15	1.15
All	Totally Enclosed	1.00	1.00	1.00

Most LEESON® Totally Enclosed Motors have 1.15 Service Factor. Refer to the Service Factor information on each page to identify specific totally enclosed motors with NEMA 1.00 Service Factor or LEESON 1.15 Service Factor. All drip-proof motors have NEMA Service Factors of 1.15 or higher. **All three phase totally enclosed motors have NEMA Service Factors of 1.15 except when noted (▲).**

SCR PM DC MOTORS ON PWM POWER SUPPLIES

Pulse width modulated DC controls have a voltage output similar to pure direct current which has a form factor of 1.00. SCR thyristor drives, such as the SPEEDMASTER® controls, have a form factor of 1.4.

LEESON® stock SCR rated motors can also be used with PWM controls. In fact, the motor's HP rating can be increased because of less heating in the motor. In addition, the motor will operate quieter and the brush life will be extended.

Rated HP 1.40 FF	Rated RPM	Rated Volts	Catalog Number	Rated HP 1.05 FF
1/4	1750	90	098002	0.40
1/4	1750	180	098003	0.50
1/3	1750	90	098004	0.50
1/3	1750	90	108424	0.56
1/3	1750	180	098005	0.50
1/2	2500	90	098006	0.75
1/2	2500	180	098007	0.70
1/2	1750	90	098000	0.70
1/2	1750	90	108014	0.75
1/2	1750	90	108226	0.75
1/2	1750	180	098008	0.56
1/2	1750	180	108015	0.70
1/2	1750	180	108227	0.70
3/4	2500	90	098009	1.00
3/4	2500	90	108016	1.00
3/4	2500	180	098010	1.00
3/4	2500	180	108017	0.86
3/4	1750	90	098032	1.00
3/4	1750	90	108018	1.00
3/4	1750	90	108228	1.25
3/4	1750	180	098069	1.00
3/4	1750	180	108019	1.00
3/4	1750	180	108229	1.25
1	2500	90	108020	1.50
1	2500	180	108021	1.50
1	1750	90	108022	1.25
1	1750	90	108230	1.25
1	1750	180	108023	1.25
1	1750	180	108231	1.25
1 1/2	2500	180	108265	2.00
1 1/2	1750	180	108092	1.75
1 1/2	1750	180	108262	1.75
1 1/2	1750	180	108232	1.75
1 1/2	1750	180	128000	–
2	2500	180	108266	3.00
2	1750	180	128001	–
2	1750	180	128010	–
3	2500	180	128008	–
3	1750	180	108502	–

METRIC (IEC®) DESIGNATIONS

The International Electrotechnical Commission (IEC) is a European-based organization that publishes and promotes worldwide mechanical and electrical standards for motors, among other things. In simple terms, it can be said that IEC is the international counterpart to the National Electrical Manufacturers Association (NEMA), which publishes the motor standards used in the United States.

IEC standards are expressed in metric units.

IEC ENCLOSURE PROTECTION INDEXES

Like NEMA, IEC has designations indicating the protection provided by a motor's enclosure. However, where NEMA designations are word descriptive, such as Open Drip-Proof or Totally Enclosed Fan Cooled, IEC uses a two-digit Index of Protection (IP) designation. The first digit indicates how well-protected the motor is against the entry of solid objects, the second digit refers to water entry.

By way of general comparison, an IP22 motor relates to Open Drip-Proof, IP54 to totally enclosed.

Protection Against Solid Objects		Protection Against Liquids	
No.	Definition	No.	Definition
0	No protection	0	No protection
1	Protected against solid objects of over 50 mm (e.g. accidental hand contact)	1	Protected against water vertically dripping (condensation)
2	Protected against solid objects of over 12 mm (e.g. finger)	2	Protected against water dripping up to 15° from the vertical
3	Protected against solid objects of over 2.5 mm (e.g. tools, wire)	3	Protected against rain falling at up to 60° from the vertical
4	Protected against solid objects of over 1 mm (e.g. thin wire)	4	Protected against water splashes from all directions
5	Protected against dust	5	Protected against jets of water from all directions
6	Totally protected against dust	6	Protected against jets of water comparable to heavy seas
		7	Protected against the effects of immersion to depths of between 0.15 and 1 m
		8	Protected against the effects of immersion of depths greater than 1 m
		9	Protection against the effects of high pressure and temperature water jet.

IEC DESIGN TYPES

The electrical performance characteristics of IEC Design N motors in general mirror those of NEMA Design B—the most common type of motor for industrial applications. By the same token, the characteristics of IEC Design H are nearly identical to those of NEMA Design C. There is no specific IEC equivalent to NEMA Design D.

MOTOR EFFICIENCY TEST METHODS

Performance data of single phase motors is determined by using I.E.E.E. Std. 114 (Method B), three phase motors by I.E.E.E. Std. 112 (Method B). Motor efficiency is calculated using CSA C390. These testing methods meet the requirements of EPAct of 1992 and most utility companies.

For complete performance data on all LEESON motors, please review the Find-A-Product section on www.regalbeloit.com/Brands/LEESON.

IEC and International Electrotechnical Commission is believed to be a trademark of International Electrotechnical Commission Organisation Internationale and is not owned or controlled by Regal Beloit Corporation.

NEMA is believed to be the trademark of National Electrical Manufacturers Corporation, and is not owned or controlled by Regal Beloit Corporation.



Motors Designed For Use In The Automotive Industry

Automotive Duty 56 frame and U Frame motors (pages 233-240) are designed to meet automotive industry specifications from General Motors® (GM-7EQ, GM-7EH), Ford® (EM1) and Chrysler® (NPEM-100). Actual qualifications for individual ratings are indicated in the footnotes on the price pages.

Automotive Duty T Frame motors are designed to meet or exceed Ford EM1-1996 specification(see footnotes on the price pages).

UL Recognized Component Listing

Low voltage (< 600 V) motors in frames 48-449T and 182U-445U listed in this catalog (excludes REW, SREW, SEW, SSEW, MD and SE models) carry UL Recognized Component Listing (contact Regal for file number).

Web: www.ul.com

NAFTA

A NAFTA (North American Free Trade Agreement) Certificate of Origin can be supplied on request.

Canadian Standards Association (CSA)

Low voltage (< 600 V) motors in frames 48-449T and 182U-445U listed in this catalog have Canadian Standards Association approval (contact Regal for file number).



Web: www.csa-international.org

CE (Conformité Européene)

Regal offers a variety of CE-compliant LEESON motors. Copies of Lincoln's Declaration of Conformity for the Low Voltage Directive and Manufacturer's Declaration for the Machinery Directive are available on request.

Motors for Hazardous Locations

NEMA® defines an **explosion-proof** motor as follows: "a totally-enclosed machine designed and constructed to withstand an explosion of a specified gas or vapor which may occur within it and to prevent ignition of specified gas or vapor surrounding the machine by sparks, flashes or explosions of the specified gas or vapor which may occur within the machine casing".

Typical applications include petroleum and chemical plants or pipelines, gasoline pumps and natural gas compressors.

A **dust-ignition-proof** motor is "a totally enclosed machine whose enclosure is designed and constructed in a manner which will exclude ignitable amounts of dust or amounts which might affect performance or rating, and which will not permit arcs, sparks, or heat otherwise generated or liberated inside of the enclosure to cause ignition of exterior accumulations or atmospheric suspensions of a specific dust on or in the vicinity of the enclosure. Successful operation of this type of machine requires avoidance of overheating from such causes as excessive overloads, stalling, or accumulation of excessive quantities of dust on the machine".

Typical applications include grain elevators, coal handling equipment, feed and cereal mills, sugar refineries and chemical plants. Both types of motors are submitted to Underwriters Laboratories (UL) for approval.

The following is a brief description of the hazardous locations of both gaseous and dusty atmospheres as classified by the National Fire Protection Association's (NFPA) National Electrical Code (NEC) and printed from the 1996 Handbook. Consult the National Electrical Code for more information on explosion proof regulations.

Class 1 Group Classifications:

Class C - Atmospheres containing ethyl ether, ethylene, or gases or vapors of equivalent hazard.

Class D - Atmospheres such as acetone, ammonia, benzene, butane, cyclopropane, ethanol, gasoline, hexane, methanol, methane, natural gas, naphtha, propane, or gases or vapors of equivalent hazard.

Class 2 Group Classifications:

Group F - atmospheres containing carbonaceous dusts, including carbon black, charcoal, coal or coke dusts that have more than 8% total entrapped volatiles, or dusts that have been sensitized by other materials so that they present an explosion hazard.

Group G - atmospheres containing combustible dusts not included in Group E or F, including flour, grain, wood, plastic, and chemicals.

BAKING INDUSTRY SANITATION STANDARDS COMMITTEE

WASHGUARD® II, stainless steel washdown duty motors, NEMA frames 56, 143T, 145T, 182T and 184T are certified to Standard No. 29 for Electric Motors and Accessory Equipment, authorization number 769. The WBMQ Series of gear reducers are BISSC certified to Standard No. 29 for Electric Motors and Accessory Equipment, authorization number 941.

SAUDI ARABIAN STANDARDS ORGANIZATION

SCCP Ref. No.: R-100157

U.S. DEPARTMENT OF ENERGY (DOE)

Compliance Certification (CC) number: **CC005A**

The CE Mark

CE is an acronym for the French phrase "Conformite Europeene" and is similar to the UL or CSA marks of North America. However, unlike UL or CSA which require independent laboratory testing, the CE mark can be applied by the motor manufacturer through "self certifying" that its products are designed to the appropriate standards. The European Union has issued 24 directives related to the **CE** mark. Three Directives apply to electric motors.

Low Voltage Directive (2006/95/EC) This directive applies to electrical equipment operating in the voltage range of 50-1000 volts AC or 75-1500 volts DC. Virtually all LEESON® motors (except low voltage DC) are included in this directive.

Based on our testing to the applicable electrical and mechanical standards EN60034 and IEC 34, LEESON certifies conformity to this directive. All three phase 50 Hz stock motors comply with the nameplate designations, lead markings and connection diagrams required. A "Declaration of Conformity" accompanies these motors and a CE label is applied.

Machinery Directive (89/3392/EEC) This directive applies to machinery that may contain certain motors. This is an issue with equipment manufacturers and requires the use of a motor meeting the Low Voltage Directive and requires a "Declaration of Incorporation" document which means that only the motor complies with the requirements of the Low Voltage Directive. A CE label is applied to the motor but it remains the responsibility of the equipment manufacturer to obtain certification for the finished product.

Electromagnetic Compatibility (EMC) Directive (2004/108/EC) This directive addresses the final product and is again a concern for the equipment manufacturer. Since this Directive addresses electromagnetic interference (EMI) concerns, it does not affect three phase AC motors because they do not produce EMI. DC motors, however, do produce EMI. How much of the "noise" is emitted outside the machine depends on a host of factors. Regal's Engineering Department can assist OEM's in applying DC motors in machinery destined for Europe and requiring certification to the EMC Directive.



General Motors and GM are believed to be trademarks or trade names of General Motors LLC. and are not controlled by Regal Beloit Corporation. UL is believed to be the trademark or tradename of UL LLC and is not owned or controlled by Regal Beloit Corporation.

CSA is believed to be the trademark or tradename of Canadian Standards Association and is not owned or controlled by Regal Beloit Corporation.

NEMA is believed to be a trademark of National Electrical Manufacturers Association and is not owned or controlled by Regal Beloit Corporation.

Chrysler is believed to be the trademark of DaimlerChrysler Corporation and is not owned or controlled by Regal Beloit Corporation.

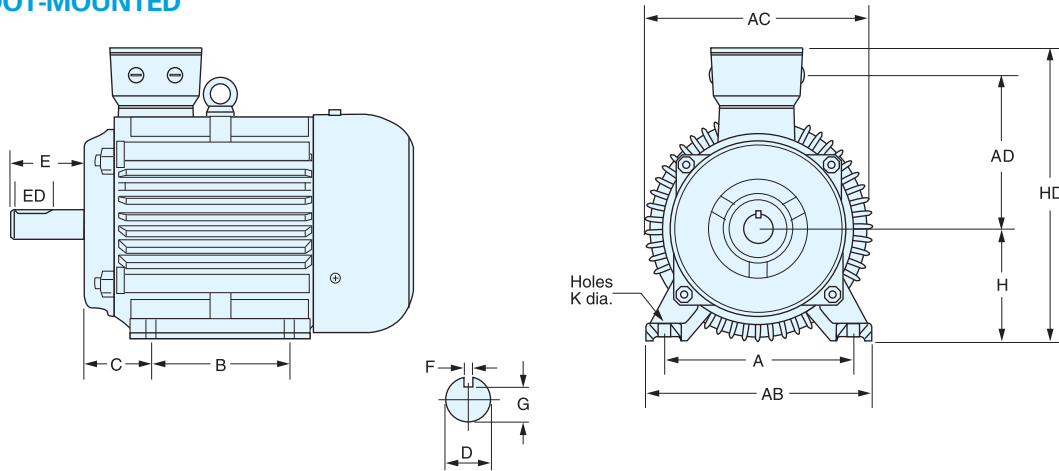
Ford is believed to be the trademark or trade name of Ford Motor Company and is not controlled by Regal Beloit Corporation.



Technical Information

Dimensions - AC Metric (IEC) Motors

B3 FOOT-MOUNTED

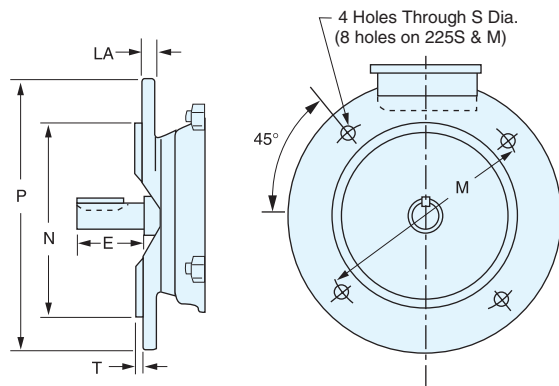


METRIC (IEC) FRAME DIMENSIONS (Millimeters)

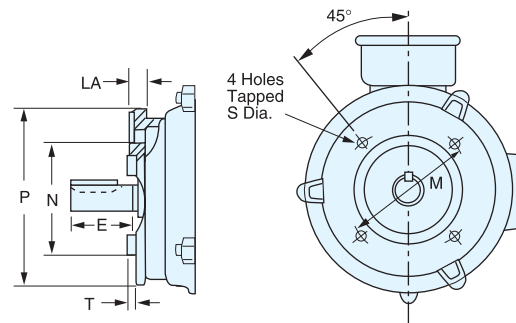
Frame	Mounting					Shaft							General			B5 Flange							B14 Face						
	A	B	C	H	AB	K	D	E	F	G	ED	DH	AC	AD	HD	M	N	P	S	T	LA	M	N	P	S	T	LA		
D56	90	71	36	56	107	6	9	20	3	7.5	8	M3 x 8	-	-	-	100	80	120	7	2.5	7	65	50	80	M5	2.5	7		
D63	100	80	40	63	122	7	11	23	4	8.5	10	M4 x 10	126	84	171	115	95	140	10	3.0	7	75	60	90	M5	2.5	7		
D71	112	90	45	71	136	7	14	30	5	11.0	20	M5 x 12.5	141	94	191	130	110	160	10	3.5	7	85	70	105	M6	2.5	9		
D80	125	100	50	80	154	10	19	40	6	15.5	25	M6 x 16	159	102	206	165	130	200	12	3.5	12	100	80	120	M6	3.0	9		
D90S	140	100	56	90	172	10	24	50	8	20.0	32	M8 x 19	180	112	229	165	130	200	12	3.5	12	115	95	140	M8	3.0	9		
D90L	140	125	56	90	172	10	24	50	8	20.0	32	M8 x 19	180	112	229	165	130	200	12	3.5	12	115	95	140	M8	3.0	9		
DF100L	160	140	63	100	205	12	28	60	8	24.0	40	M10 x 22	205	130	270	215	180	250	15	4.0	11	130	110	160	M8	3.5	14		
DF112M	190	140	70	112	230	12	28	60	8	24.0	40	M10 x 22	240	150	300	215	180	250	15	4.0	12	130	110	160	M8	3.5	11		
DF132S	216	140	89	132	270	12	38	80	10	33.0	56	M12 x 28	275	180	345	265	230	300	15	4.0	12	165	130	200	M10	3.5	14		
DF132M	216	178	89	132	270	12	38	80	10	33.0	56	M12 x 28	275	180	345	265	230	300	15	4.0	12	165	130	200	M10	3.5	14		
DF160M	254	210	108	160	320	15	42	110	12	37.0	80	M16 x 36	330	210	420	300	250	350	19	5.0	13	215	180	250	M12	4.0	13		
DF160L	254	254	108	160	320	15	42	110	12	37.0	80	M16 x 36	330	210	420	300	250	350	19	5.0	13	215	180	250	M12	4.0	13		
DF180M	279	241	121	180	355	15	48	110	14	42.5	80	M16 x 36	360	236	455	300	250	350	19	5.0	15	-	-	-	-	-	-		
DF180L	279	279	121	180	355	15	48	110	14	42.5	80	M16 x 36	360	236	455	300	250	350	19	5.0	15	-	-	-	-	-	-		
DF200L	318	305	133	200	395	19	55	110	16	49.0	100	M20 x 42	420	260	505	350	300	400	19	5.0	18	-	-	-	-	-	-		
DF225S	356	286	149	225	435	19	55*/60	110*/140	16*/18	49*/53	100*/125	M20 x 42	450	275	580	400	350	450	19	5.0	18	-	-	-	-	-	-		
DF225M	356	311	149	225	435	19	55*/60	110*/140	16*/18	49*/53	100*/125	M20 x 42	450	275	580	400	350	450	19	5.0	18	-	-	-	-	-	-		
DF250M	406	349	168	250		24	60*/65	140*/140	18*/18	53*/58	125*/125	M20 x 42	508	300	625	-	-	-	-	-	-	-	-	-	-	-	-		

* 2 Pole Dimensions

For overall length dimensions for our IEC motors, please refer to our IEC motor section of this catalog. Frames DF100L through DF132M, conduit box is located in the center of the frame.



B5 FLANGE



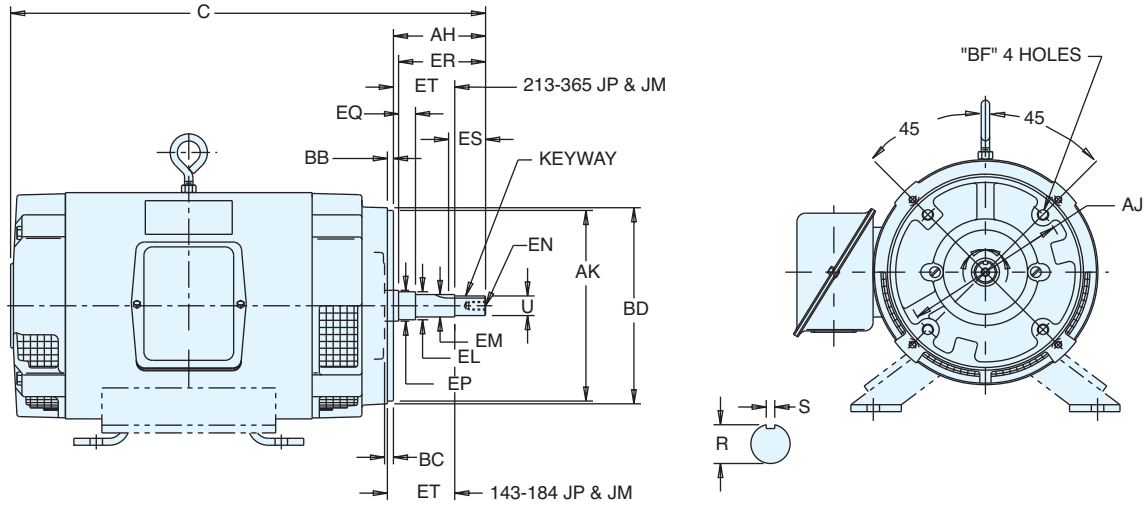
B14 FACE



Technical Information

Dimensions - Definite Purpose - Close Coupled Pump Motors

TYPICAL CLOSE COUPLED PUMP MOTOR



Dimensions for Type JM

Frame Desig.	U	AH	AJ	AK	BB	BD Max.	BF		EL	EM	EN		Keyseat				ET				
							No.	Tap Size			Bolt Pen. Allow.	Tap Size	EN Tap Drill Depth Max.	Bolt Pen. Allow.	EP Min.	EQ		ER Min.	R	ES Min.	S
143 & 145JM	0.8745	4.15	5.890	4.500	0.150	6.62	4	3/8-16	0.56	1.156	1.0000	3/8-16	1.12	0.75	1.156	0.640	4.25	0.771	1.65	0.190	2.890
182 & 184JM	0.8745	4.13	5.89	4.500	0.16	6.62	4	3/8-16	0.56	1.250	1.0000	3/8-16	1.12	0.75	1.250	0.640	4.25	0.771	1.65	0.190	2.890
213 & 215JM	0.8750	4.25	7.265	8.500	0.312	9.00	4	1/2-13	0.75	1.250	1.0000	3/8-16	1.12	0.75	1.750	0.640	4.25	0.771	1.65	0.190	2.890
254 & 256JM	1.2495	5.25	7.250	8.500	0.312	10.00	4	1/2-13	0.75	1.750	1.3750	1/2-13	1.50	1.00	1.750	0.640	5.25	1.112	2.53	0.252	3.015
284 & 286JM	1.2495	5.281	11.00	12.500	0.312	14.00	4	5/8-11	0.94	1.750	1.3750	1/2-13	1.50	1.00	2.125	0.645	5.25	1.112	2.53	0.252	3.020
324 & 326JM	1.2495	5.281	11.00	12.500	0.312	14.00	4	5/8-11	0.94	1.750	1.3750	1/2-13	1.50	1.00	2.125	0.645	5.25	1.112	2.53	0.252	3.020
326JM	1.2490	5.219	12.495	8.497	0.250					1.748	1.3745					0.610	1.097		0.250	2.985	

Dimensions for Type JP

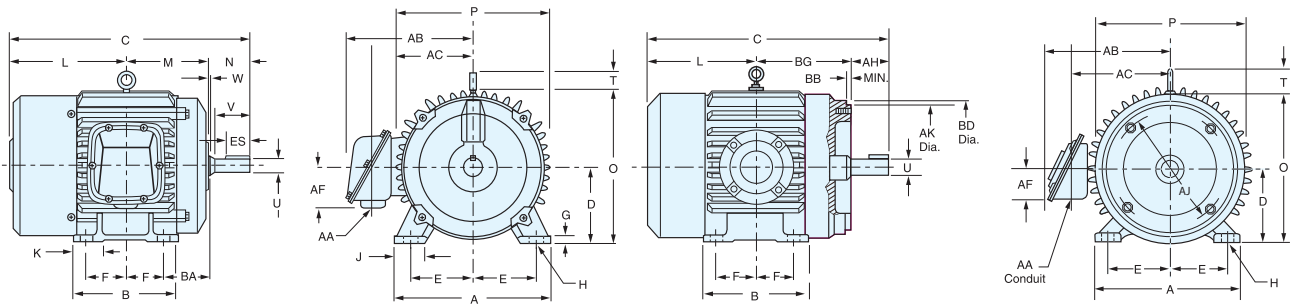
Frame Desig.	U	AH	AJ	AK	BB	BD Max.	BF		EL	EM	EN		Keyseat				ET				
							No.	Tap Size			Bolt Pen. Allow.	Tap Size	EN Tap Drill Depth Max.	Bolt Pen. Allow.	EP Min.	EQ		ER Min.	R	ES Min.	S
143 & 145JP	0.8745	7.19	5.890	4.500	0.156	6.62	4	3/8-16	0.56	1.156	1.0000	3/8-16	1.12	0.75	1.156	1.578	7.312	0.771	1.65	0.190	5.952
182 & 184JP	0.8745	7.21	5.890	4.500	0.156	6.62	4	3/8-16	0.56	1.250	1.0000	3/8-16	1.12	0.75	1.250	1.578	7.312	0.771	1.65	0.190	5.952
213 & 215JP	1.2495	8.12	7.250	8.500	0.312	9.00	4	1/2-13	0.75	1.750	1.3750	1/2-13	1.50	1.00	1.750	2.390	8.125	1.112	2.53	0.252	5.890
254 & 256JP	1.2495	8.156	7.250	8.500	0.312	10.00	4	1/2-13	0.75	1.750	1.3750	1/2-13	1.50	1.00	1.750	2.390	8.125	1.112	2.53	0.252	5.890
284 & 286JP	1.2495	8.156	11.00	12.500	0.312	14.00	4	5/8-11	0.94	1.750	1.3750	1/2-13	1.50	1.00	2.125	2.390	8.125	1.112	2.53	0.252	5.895
324JP & 326JP	1.2495	8.12	11.00	12.500	0.312	14.00	4	5/8-11	0.94	1.750	1.3750	1/2-13	1.50	1.00	2.125	2.395	8.125	1.112	2.53	0.252	5.895
364JP & 365JP	1.6245	8.12	11.00	12.500	0.312	14.00	4	5/8-11	0.94	2.125	1.7500	1/2-13	1.50	1.00	2.500	2.395	8.125	1.416	2.53	0.377	5.895
	1.6240		12.495	8.497	0.250					2.13	1.7495					2.355	1.401		0.375	5.855	

All dimensions are measured in inches. For "C" dimensions, refer to the appropriate catalog page. Certified drawings are available upon request - contact Regal for details.



RIGID MOUNT 158 SERIES

C FACE 158 SERIES



NEMA EXPLOSION-PROOF • 158 SERIES • RIGID MOUNT DIMENSIONS (Inches)

Frame Size	A	B	D	E	F	G	H	J	K	L	M	N	O	P	T	U	V	N-W	ES	AA	AB	AC	AF	BA	KEY																	
182T	9	6	4 1/2	3 3/4	2 1/4	7/16	7/16	1 3/4	1 7/8	6 13/16	4 15/16	2 9/16	9 1/8	9 1/4	-	1.125	2 1/2	2 3/4	1 7/8	3/4	7 13/16	6 9/16	3 1/8	2 3/4																		
184T		7			2 3/4					7 7/16	5 1/16	2 5/16																														
213T	10 1/2	7	5 1/4	4 1/4	2 3/4	7/16	7/16	2	1 7/8	8 1/8	6 3/16	3 7/16	10 1/2	10 1/2	2 5/16	1.375	3 1/8	3 1/4	2 7/16	1	9 1/4	7 5/8	3 1/2	3 1/2	5 7/16																	
215T		8 1/2			3 1/2					8 7/8	6 5/16																															
254T	12 1/2	10 1/4	6 1/4	5	4 1/8	5/8	9/16	2 1/2	2 5/8	10 3/8	8 7/16	4 1/16	12 1/2	12 1/2	2 5/16	1.625	3 3/4	3 7/8	2 5/16	1 1/4	10 1/4	8 7/8	3 7/8	4 1/4																		
256T		12			5					11 1/4	9 3/16																															
284T	13 3/4	11 1/2	7	5 1/2	4 3/4	5/8	9/16	2 1/2	2 3/4	11 13/16	9 7/16	14	14	2 7/16		1.875	4 3/8	4 1/2	3 3/4	1 1/2	12 1/8	10	4 7/16	4 3/4	1/2																	
284TS																																										
286T																																										
286TS																	5 1/2										12 9/16	10 3/16														
324T	15 1/2	13 1/4	8	6 1/4	5 1/4	5/8	1 1/16	2 3/4	3 1/8	13 3/16	10 7/16	16	16	2 5/8		2.125	5	5 1/8	4	2	14 3/8	11 3/4	5 7/8	5 1/4																		
324TS																																										
326T																																										
326TS																	6										13 15/16	11 3/16														
364T	17	15	9	7	5 5/8	7/8	1 1/16	2 3/4	3 7/8	16 1/16	11 3/8	18 1/2	19	12 7/16		2.375	5 5/8	5 1/4	4 1/2	3	16 1/16	13 9/16	6 7/8	5 7/8	5/8																	
364TS																																										
365T																																										
365TS																	6 3/8										15 5/16	11 7/8														
405T	19	16	10	8	6 7/8	1 1/8	1 13/16	3 1/4	3 1/4	17 9/16	13 3/8	21 5/16	22 5/16	2 5/16		2.875	7	7 1/8	5 1/16	4	16 3/8	13 1/4	7 1/2	6 5/8	3/4																	
405TS																																										

NEMA EXPLOSION-PROOF • 158 SERIES • C FACE DIMENSIONS (Inches)

Frame Size	A	B	D	E	F	H	L	D	P	T	U	V	AH	AJ		BB	AK	BD	BG	AA	AB	AC	AF	KEYWAY
														DIA.	BARR.									
182T	9	6	4 1/2	3 3/4	2 1/4	7/16	6 3/8	9 9/8	9 1/4	-	1.1250	2 1/2	2 5/8	7 1/4	4	9/32	8.500	8 3/4	5 7/8	3/4	9 3/8	7 7/8	2 1/2	1/4
184T		7			2 3/4		7 1/8												6 3/8					

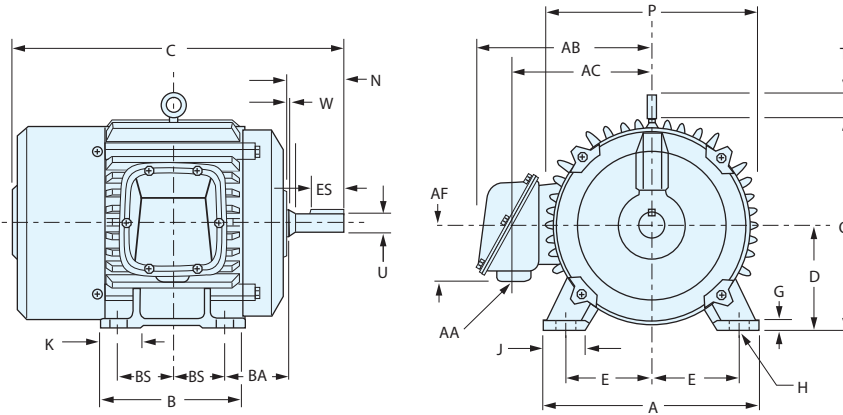
The condensed dimensions shown on these pages are for general reference only and are not for construction. The overall length or "C" dimension for each catalog item is included in this catalog. [Certified drawings of all ratings are available for construction purposes.](#)



Technical Information

Dimensions - NEMA® Explosion Proof

RIGID MOUNT G-SERIES



NEMA EXPLOSION-PROOF • RIGID MOUNT DIMENSIONS (Inches)

Frame Size	A	B	D	E	2F*	G	H	J	K	N	O	P	T	U	N-W	ES	AA	AB	AC	AF	BA	BS	KEY	C Dim
182T 184T	8.88	7.75	—	3.75	6.75	0.45	0.41-0.46	1.56	—	2.78	9.36	9.76	2.62	1.125	2.75	1.75	0.75	9.73	7.13	—	2.75	3.37	0.25	17.12
213T 215T	10.38	8.50	5.19 5.25	4.25	7.00	0.60	0.44	1.87	—	3.41	10.60	11.50	2.62	1.375	3.38	2.38	0.75	10.94	8.32	2.55	3.50	3.50	0.31	20.18
254T 256T	12.12	10.25	6.19 6.25	5.00	8.25 10.00	0.55	0.53-0.58	2.08	—	4.19	14.07	14.12	—	1.625	4.00	2.88	1.25	13.67	10.65	3.12	4.25	4.12 5.00	0.38	23.52 25.27
284T 284TS 286T 286TS	13.00	11.50 13.00	6.94 7.00	5.50	9.50 11.00	0.88	0.53-0.58	2.50	2.50	4.81 3.44 4.81 3.44	14.74	15.50	3.25	1.875 1.625 1.875 1.625	4.62	3.25 1.88 3.25 1.88	1.50	15.33	11.44	5.38	4.75	4.75 5.50	0.50 0.38 0.50 0.38	26.30 24.94 27.80 26.44
324T 324TS 326T 326TS	15.75	13.00	7.94 8.00	6.25	10.50 12.00	0.86	0.66-0.71	3.50	—	5.50 4.00 5.50 4.00	17.10	16.00	3.25	2.125 1.875 2.125 1.875	5.25 3.75 5.25 3.75	3.88 2.00 3.88 2.00	2.00	16.50	12.64	5.38	5.25	5.25 6.00	0.50 0.50	28.87 27.37 30.37 28.87
364T 364TS 365T 365TS	17.75	13.25 14.25	8.94 9.00	7.00	11.25 12.25	1.12	0.66-0.71	4.00	3.25	6.12 4.00 6.12 4.00	19.00	20.00	3.62	2.375 1.875 2.375 1.875	5.88 3.75 5.88 3.75	4.24	2.50	19.75	14.50	5.38	5.88	5.62 6.12	0.62	31.50 29.38 32.50 30.38
405T 405TS	19.25	16.25	—	8.00	13.75	1.12	0.81-0.86	4.25	3.75	7.50 4.50	20.87	21.75	3.62	2.875 2.125	7.25 4.25	5.62 2.75	2.50	21.50	16.38	5.38	6.62	6.88	0.75 0.50	37.12 34.12
444T 444TS 445T 445TS 449T 449TS	21.50	18.00 19.75 28.25	10.94	9.00	14.50 16.50 25.00	1.25	0.81-0.86	3.75	4.50 5.12 9.88	8.75 5.00 8.75 5.00 8.75 5.00	23.12 24.11 24.19	24.25 26.31 26.31	3.62 2.44 0.77	3.375 2.375 3.375 2.375	8.50 4.75 8.50 4.75	6.88 3.00 6.88 3.00	2.50 3.00	22.75 17.50	17.50 20.06	5.38 6.18	7.50	7.25 8.25 1.78	0.88 0.62 0.88 0.62	41.25 37.50 43.19 39.44 51.69 47.97

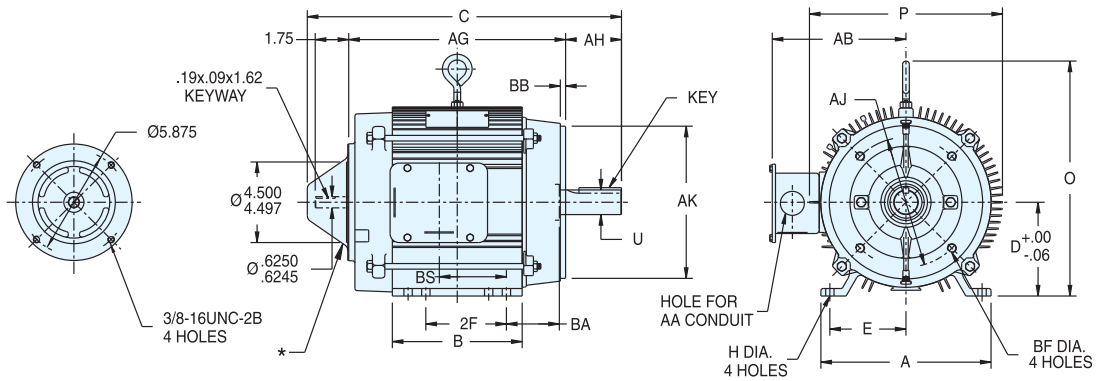
* 182-4T and 213-5T frames have eight-hole bases. 449T and TS frames have six-hole bases. Others have four-hole bases.



Technical Information

Dimensions - Speedmaster® Inverter Duty Motors

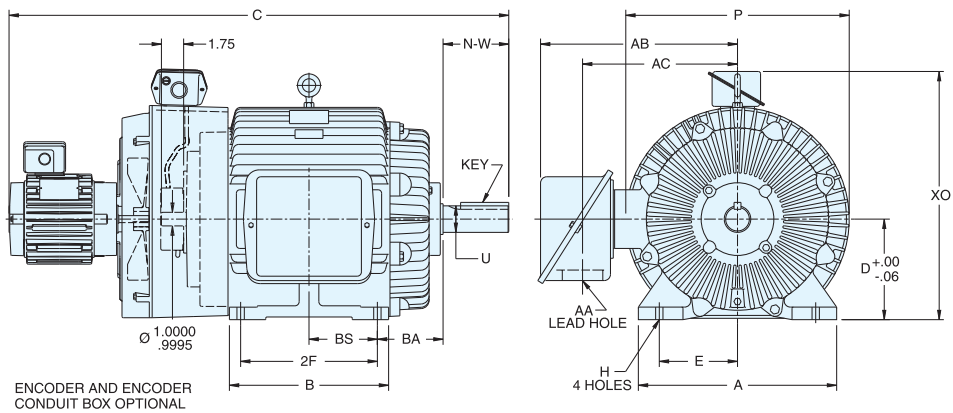
TENV—C FACE, RIGID BASE



TENV • C FACE • RIGID BASE • DIMENSIONS (Inches)

Frame Size	D	E	2F	H	O MAX.	P MAX.	U	AA	AB MAX.	AG MAX.	AH	AJ	AK	BA	BB	BF	BS	KEY
143TC	3.50	2.75	4.00	.38	7.45	7.98	.875	1.09	7.04	9.25	2.12	5.875	4.50	2.62	.13	3/8-16	2.81	.19 x .19 x 1.38
145TC	3.50	2.75	5.00	.35	7.45	7.98	.875	1.09	7.04	10.25	2.12	5.875	4.50	2.62	.13	3/8-16	3.81	.19 x .19 x 1.38
182TC	4.50	3.75	4.50	.41	9.36	9.76	1.125	1.09	8.08	11.75	2.62	7.250	8.50	3.50	.27	1/2-13	2.25	.25 x .25 x 1.75
184TC	4.50	3.75	5.50	.41	9.36	9.76	1.125	1.09	8.08	12.75	2.62	7.250	8.50	3.50	.27	1/2-13	2.75	.25 x .25 x 1.75
213TC	5.25	4.25	5.50	.44	10.97	11.50	1.375	1.09	9.31	15.12	3.12	7.250	8.50	4.25	.27	1/2-13	3.50	.31 x .31 x 2.38
215TC	5.25	4.25	7.00	.44	10.97	11.50	1.375	1.09	9.31	17.31	3.12	7.250	8.50	4.25	.27	1/2-13	6.18	.31 x .31 x 2.38
254TC	6.25	5.00	8.25	.53	14.09	14.27	1.625	1.25	9.83	19.06	3.75	7.250	8.50	4.75	.27	1/2-13	6.31	.38 x .38 x 2.88
256TC	6.25	5.00	10.00	.56	14.09	14.27	1.625	1.25	11.08	18.82	3.75	7.250	8.50	4.75	.27	1/2-13	5.00	.38 x .38 x 2.88
284TC	7.00	5.50	9.50	.56	14.16	14.32	1.875	1.50	12.31	20.57	4.38	9.000	10.50	4.75	.27	1/2-13	5.50	.50 x .50 x 3.25

TBEC—TOTALLY ENCLOSED BLOWER COOLED, RIGID BASE



TBEC • TOTALLY ENCLOSED BLOWER COOLED • RIGID BASE • DIMENSIONS (Inches)

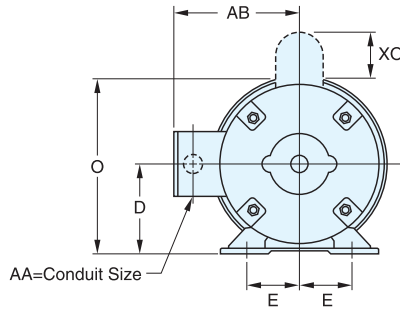
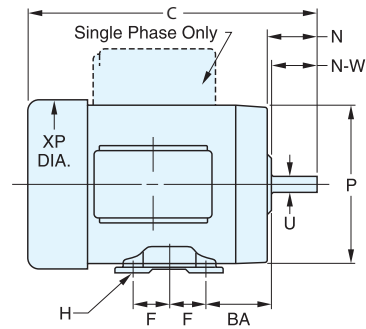
Frame Size	D	E	2F	H	O MAX.	P MAX.	U	AA	AB MAX.	AC MAX.	BA	BS	FU	N-W	KEY
325T	8.00	6.25	10.50	.66	16.00	15.88	2.12	2.00	13.69	10.69	5.25	5.25	1.00	5.25	.50 x .50 x 3.88
326T	8.00	6.25	12.00	.66	16.00	15.88	2.12	2.00	13.69	10.69	5.25	6.00	1.00	5.25	.50 x .50 x 3.88
364T	9.00	7.00	11.25	.66	19.00	20.00	2.38	3.62	17.85	14.56	5.88	5.62	1.00	5.88	.62 x .62 x 4.25
365T	9.00	7.00	12.25	.66	19.00	20.00	2.38	3.62	17.85	14.56	5.88	6.12	1.00	5.88	.62 x .62 x 4.25
404T	10.00	8.00	12.25	.81	20.88	21.75	2.88	3.62	18.75	14.75	6.62	6.12	1.00	7.25	.75 x .75 x 5.62
405T	10.00	8.00	13.75	.81	20.88	21.75	2.88	3.62	19.75	16.25	6.62	6.88	1.00	7.25	.75 x .75 x 5.62
444T	11.00	9.00	14.50	.81	24.19	25.31	3.38	3.62	20.94	17.38	7.50	7.25	1.00	8.50	.88 x .88 x 6.88
445T	11.00	9.00	16.50	.81	24.19	26.31	3.38	3.62	20.94	17.38	7.50	8.25	1.00	8.50	.88 x .88 x 6.88
449T	11.00	9.00	25.00	.81	24.22	26.31	3.38	4.62	25.90	19.31	7.50	1.78	1.00	8.50	.88 x .88 x 6.88



Technical Information

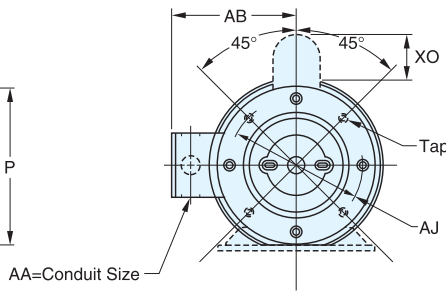
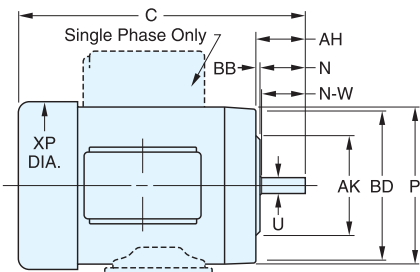
Dimensions - NEMA® Steel Frame Motors

RIGID MOUNT



The condensed dimensions shown on these pages are for general reference only and are not for construction. The overall length or "C" dimension for each catalog item is included in this catalog. Certified drawings of all ratings are available for construction purposes.

C FACE



NEMA SHAFT AND KEYWAY DIMENSIONS ▲ (Inches)

NEMA SHAFT (U)	KEYWAY DIMENSIONS		NEMA SHAFT (U)	KEYWAY DIMENSIONS	
	(R)	(S)		(R)	(S)
3/8	21/64	FLAT	1-7/8	1-19/32	1/2
1/2	29/64	FLAT	2-7/8	1-27/32	1/2
5/8	33/64	3/16	2-7/8	2-1/64	5/8
7/8	49/64	3/16	2-1/2	2-3/16	3/8
1-1/8	69/64	1/4	2-7/8	2-29/64	3/4
1-3/8	1-13/64	5/16	3-3/8	2-7/8	7/8
1-7/8	1-19/32	3/8	3-7/8	3-7/16	1

▲ S is keyway width.
U minus R is keyway depth.

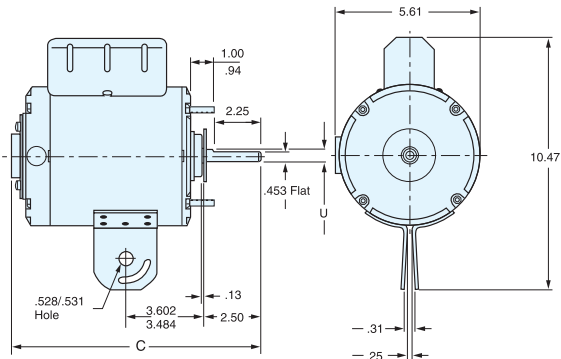
NEMA STEEL FRAME DIMENSIONS (Inches)

Frame Size ▲	D	E	F	H	N	O	P	U	N-W	AA	AB	AH	AJ	AK	BA	BB	BD	XO	XP	TAP **	KEY			
42	2 3/8	1 3/4	27/32	9/32 Slot	1 7/16	5 1/16	4 7/8	3/8	1 1/8	3/8	4 1/2	1 7/16	3 3/4	3	2 1/16	1/8	4 7/8	1 5/8	5 1/8	1/4-20	3/64 Flat			
48	3	2 1/8	1 3/8	11/32 Slot	1 9/16	5 9/16	5 9/32	1/2	1 1/2	1/2	4 7/8	1 11/16	3 3/4	3	2 1/2	1/8	5	2 1/4	5 7/8	1/4-20	3/64 Flat			
S56	3 1/2	2 7/16	1 1/2	11/32 Slot	1 5/16	6 7/16	5 9/32	5/8	1 7/8	1/2	4 7/8	2 1/16	5 7/8	4 1/2	2 3/4	1/8	6 1/2	2 1/4	5 1/8	3/8-16	3/16			
56						6 3/16	6 3/32				5 1/16								7 1/8			5 7/8	7 1/8	7 7/32
143T	3 1/2	2 3/4	2 1/2	11/32	2 3/8	6 3/16	6 9/32	7/8	2 1/4	3/4	5 1/16	2 1/8	5 7/8	4 1/2	*2 1/4	1/8	6 1/2	2 1/4	7 7/32	3/8-16	3/16			
145T																						7 1/8		
182T	4 1/2	3 3/4	2 1/4	13/32	2 7/8	8 7/4	8 9/32	1 1/8	2 1/4	3/4	6 7/16	2 5/8	7 1/4	8 1/2	*2 1/4	1/4	8 7/8	2 1/4	9 1/32	1/2-13	1/4			
184T																						8 1/2		
S213T	5 1/4	4 1/4	2 3/4	13/32	3 1/2	9 27/32	8 9/32	1 3/8	3 3/8	3/4	7 9/32	3 3/8	7 1/4	8 1/2	*3 1/2	1/4	8 7/8	2 1/4	9 1/32	1/2-13	5/16			
213T			2 3/4														8 7/8					10 9/16	9 21/32	8 7/8
215T			3 1/2														8 7/8					10 9/16	9 21/32	8 7/8

* 143-5TC NEMA C face BA dimension is 2 3/4". 182-4TC NEMA C face BA dimension is 3 1/2". 213-5TC NEMA C face BA dimension is 4 1/4".
 ** * 326TC and smaller have 4 mounting holes in NEMA C face, 364TC and larger have 8 mounting holes.
 ▲ Blue shading denotes dimensions established by NEMA standard MG1, others are unique to LEESON, and will vary with each manufacturer.

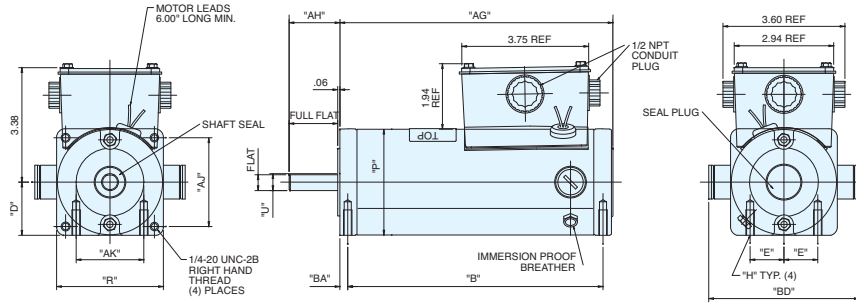
Pedestal Fan Motors

Note: Motors with U = .625 have a 3/16" keyway.



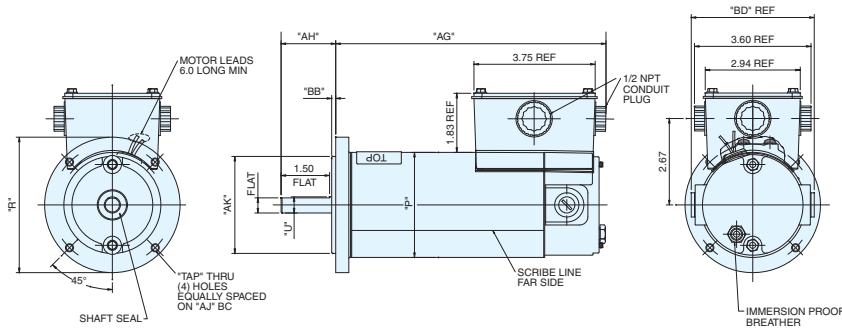
Technical Information

Dimensions - NEMA® Steel Frame Motors



WASHGUARD® 31 FRAME SQUARE FLANGE MOUNT STYLE DIMENSIONS (Inches)

Catalog Number	Frame	AG	P	BD	U	AH	AH-BB	AJ	Tap	R	AK	BB	D	BA	E	F	H
M1120181	31S	7.07	3.13	3.80	.50000	1.5	1.44	2.63	1/4-20	3.16	1.99	.07	1.57	.235	1.000	6.55	1/4-20
M1120182	31S	6.57	3.13	4.45	.50000	1.5	1.44	2.63	1/4-20	3.16	1.99	.07	1.57	.235	1.000	6.05	1/4-20
M1120183	31S	8.57	3.13	3.80	.50000	1.5	1.44	2.63	1/4-20	3.16	1.99	.07	1.57	.235	1.000	8.05	1/4-20
M1120184	31S	8.07	3.13	4.45	.50000	1.5	1.44	2.63	1/4-20	3.16	1.99	.07	1.57	.235	1.000	7.55	1/4-20



WASHGUARD 42C FACE MOUNT STYLE DIMENSIONS (Inches)

Catalog Number	Frame	AG	P	U	AH	AH-BB	KEY	AJ	TAP	AK	R	BD
M1120185	32F42CZ	8.36	3.25	.500	1.69	1.50	13 SQ	3.750	1/4-20	3.00	4.19	3.80
M1120186	32F42CZ	7.86	3.25	.500	1.69	1.50	13 SQ	3.750	1/4-20	3.00	4.19	4.43

ALL DIMENSIONS IN INCHES



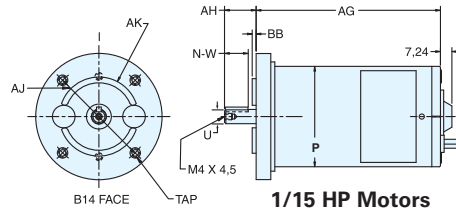
Technical Information

Dimensions

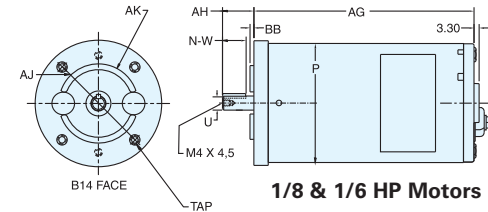
Commercial Duty Metric (IEC) Frame Motors

DIMENSIONS (Inches)

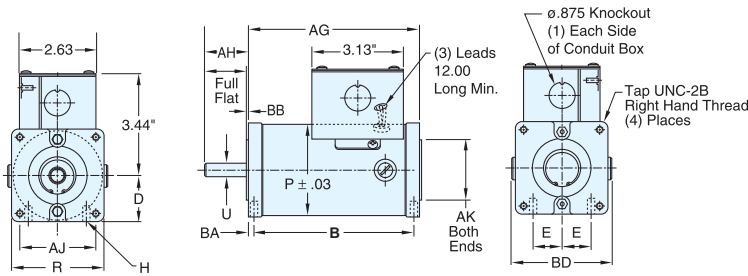
Frame	Voltage	AG	P	U	AH	N-W	AJ	TAP	AK	BB
2.50	12	4.59	2.50	.35	.787	.591	2.56	M5x.8	1.97	.10
	24	4.59	2.50	.35	.787	.591	2.56	M5x.8	1.97	.10
	90	4.59	2.50	.35	.787	.591	2.56	M5x.8	1.97	.10
3.00	12	5.53	3.00	.35	.787	.591	2.56	M5x.8	1.97	.10
	24	5.53	3.00	.35	.787	.591	2.56	M5x.8	1.97	.10
	90	5.53	3.13	.35	.787	.591	2.56	M5x.8	1.97	.10
3.00	12	5.87	3.00	.35	.787	.591	2.56	M5x.8	1.97	.10
	24	5.87	3.00	.35	.787	.591	2.56	M5x.8	1.97	.10
	90	5.87	3.13	.35	.787	.591	2.56	M5x.8	1.97	.10



1/15 HP Motors



1/8 & 1/6 HP Motors

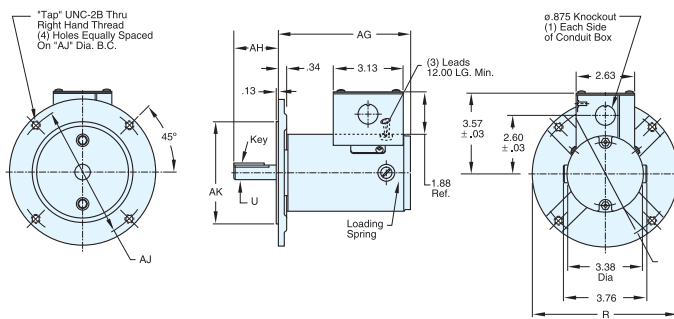


Note: Optional conduit box not included on 25 frame models. Conduit box dimensions shown here are for 31 frame only.

25 & 31 FRAME SQUARE FLANGE MOUNT DIMENSIONS (Inches)

Frame & Type	AG	P	BD	U	AH	AH-BB	AJ	TAP	R	AK	BB	D	BA	E	B	H	
25	AS	4.08	2.50	3.00	.312	1.5	1.00	1.73	8-32	2.62	.997	.03	1.28	.125	.625	3.83	8-32
	CS	4.94	2.50	3.00	.312	1.5	1.00	1.73	8-32	2.62	.997	.03	1.28	.125	.625	4.69	8-32
31	BS	5.39	3.07	3.45	.5000	1.5	1.00	2.63	1/4-20	3.16	1.99	.07	1.57	.235	1.000	4.92	1/4-20
	CS**	5.89	3.07	3.45	.5000	1.5	1.00	2.63	1/4-20	3.16	1.99	.07	1.57	.235	1.000	5.42	1/4-20
	ES**	6.89	3.07	3.45	.5000	1.5	1.00	2.63	1/4-20	3.16	1.99	.07	1.57	.235	1.000	6.42	1/4-20
	GS	7.89	3.07	3.45	.5000	1.5	1.00	2.63	1/4-20	3.16	1.99	.07	1.57	.235	1.000	7.42	1/4-20

**Catalog numbers M1120041 & M1120044 have an 'AG' & 'F' dimension that is .5" longer than stated in table.



42C FACE MOUNT DIMENSIONS (Inches)

Frame	AG	P	U	AH	AH-BB	KEY	AJ	TAP	AK	R
34D42C	6.43	3.38	.500	1.38	1.25	.13 SQ	3.750	1/4-20	3.00	4.25

42C FACE MOUNT DIMENSIONS (Inches)

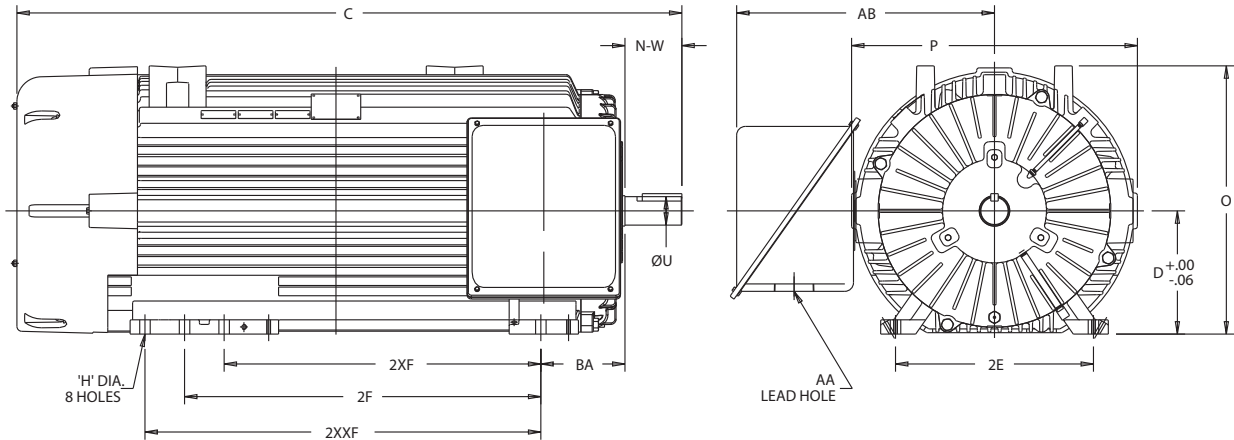
Frame	AG	P*	U	AH	AH-BB	KEY	AJ	TAP	AK	R
34E56C	6.87	3.38	.625	2.06	1.93	.19 SQ	5.875	3/8-16	4.50	6.50
34G56C	8.59	3.38	.625	2.06	1.93	.19 SQ	5.875	3/8-16	4.50	6.50

*For 1/4 HP 34 frame TEFC designs. Fan cover diameter is 3.88".



Technical Information

5000 Frame Motors



FRAME	H	BA	2XF	2F	2XXF	N-W	U	AB (MAX.)	P (MAX.)	O (MAX.)	D	2E	AA
5010LS	1.062 1.077	8.50	32.00	—	—	5.75	2.875 2.874	26.05	28.88	27.08	12.470 12.410	20.00	4.00 NPT
5011LS	1.062 1.077	8.50	—	36.00	—	5.75	2.875 2.874	26.05	28.88	27.08	12.470 12.410	20.00	4.00 NPT
5012LS	1.062 1.077	8.50	—	—	40.00	5.75	2.875 2.874	26.05	28.88	27.08	12.470 12.410	20.00	4.00 NPT
5013LS	1.062 1.077	8.50	45.00	—	—	5.75	2.875 2.874	26.05	28.88	27.08	12.470 12.410	20.00	4.00 NPT
5010LX	1.062 1.077	8.50	32.00	—	—	12.00	3.875 3.874	26.05	28.88	27.08	12.470 12.410	20.00	4.00 NPT
5011LX	1.062 1.077	8.50	—	36.00	—	12.00	3.875 3.874	26.05	28.88	27.08	12.470 12.410	20.00	4.00 NPT
5012LX	1.062 1.077	8.50	—	—	40.00	12.00	3.875 3.874	26.05	28.88	27.08	12.470 12.410	20.00	4.00 NPT
5013LX	1.062 1.077	8.50	45.00	—	—	12.00	3.875 3.874	26.05	28.88	27.08	12.470 12.410	20.00	4.00 NPT
5010L	1.062 1.077	8.50	32.00	—	—	9.50	4.000 3.999	26.05	28.88	27.08	12.470 12.410	20.00	4.00 NPT
5011L	1.062 1.077	8.50	—	36.00	—	9.50	4.000 3.999	26.05	28.88	27.08	12.470 12.410	20.00	4.00 NPT
5012L	1.062 1.077	8.50	—	—	40.00	9.50	4.000 3.999	26.05	28.88	27.08	12.470 12.410	20.00	4.00 NPT
5013L	1.062 1.077	8.50	45.00	—	—	9.50	4.000 3.999	26.05	28.88	27.08	12.470 12.410	20.00	4.00 NPT
5010S	1.062 1.077	8.50	32.00	—	—	5.75	2.625 2.624	26.05	28.88	27.08	12.470 12.410	20.00	4.00 NPT
5011S	1.062 1.077	8.50	—	36.00	—	5.75	2.625 2.624	26.05	28.88	27.08	12.470 12.410	20.00	4.00 NPT
5012S	1.062 1.077	8.50	—	—	40.00	5.75	2.625 2.624	26.05	28.88	27.08	12.470 12.410	20.00	4.00 NPT
5013S	1.062 1.077	8.50	45.00	—	—	5.75	2.625 2.624	26.05	28.88	27.08	12.470 12.410	20.00	4.00 NPT

All dimensions are measured in inches. For "C" dimensions, refer to the appropriate catalog page. Certified drawings are available upon request - contact Regal® for details.



Warnings and Cautions

Electrical

SAFETY

Safety is emphasized throughout this catalog. These are safety alert symbols and signal words. They alert the user to potential personal injury hazards. Obey all safety messages to avoid possible injury or death or damage to equipment and other property.

⚠ WARNING WARNING indicates a hazardous situation which, if not avoided, could result in death or serious injury.

⚠ CAUTION CAUTION indicates a hazardous situation which, if not avoided, could result in minor or moderate injury.

IMPORTANT INFORMATION PLEASE READ CAREFULLY

This catalog is not intended to provide operational instructions. Appropriate instructions provided with the motor and precautions attached to the motor should be read carefully prior to installation, operation and/or maintenance of the equipment. Injury to personnel or motor failure may be caused by improper installation, maintenance or operation.

The following **WARNING** and **CAUTION** information is supplied to you for your protection and to provide you with many years of trouble free and safe operation of your Regal® product:

⚠ WARNING

Indicates a hazardous situation which, if not avoided, could result in death or serious injury. Failure to follow the steps listed below could result in damage to equipment or personal injury.

- Disconnect power and lock out driven equipment before working on a motor.
- Keep hands and clothing away from moving parts.
- The lifting support on the motor is not to be used to lift the entire machine. Only the motor attached directly to the support may be safely lifted by the support.
- Install and ground per local and national codes.
- Discharge all capacitors before servicing a single phase motor.
- Misapplication of a motor in hazardous environments can cause fire or an explosion and result in serious injury. Only the end user, local authority having jurisdiction, and/or insurance underwriter are qualified to identify the appropriate class(es), group(s), division(s), and temperature code(s) that applies(y) in a hazardous environment. Regal personnel cannot evaluate or recommend what motors may be suitable for use in hazardous environments. If a motor is name plated for hazardous locations, do not operate the motor without all of the grease and drain plugs installed.
- Never attempt to measure the temperature rise of a motor by touch. Temperature rise must be measured by thermometer, resistance, resistance, imbedded detector or thermocouple.
- Motors with automatic reset thermal protectors will automatically restart when the protector temperature drops sufficiently. Do not use motors with automatic reset thermal protectors in applications where automatic restart will be hazardous to personnel or equipment.
- Motors with manual reset thermal protectors may start unexpectedly after the protector trips when the surrounding air is at +20° Fahrenheit or lower. If the manual reset protector trips, disconnect motor from its power supply. After the protector cools (five minutes or more), it can be reset and power may be applied to the motor.
- Connect all protective device leads, marked P1, P2, etc., per instructions supplied with the motor.
- Operation of a motor at other than its nameplate rating may result in fire, damage to equipment or serious injury to personnel.
- For safety, buyer or user should provide protective guards over all shaft extensions and any moving apparatus mounted thereon. The user is responsible for checking all applicable safety codes in his area and providing suitable guards. Failure to do so may result in bodily injury and/or damage to equipment.

IMPORTANT INFORMATION CONTINUED PLEASE READ CAREFULLY

CAUTION

Indicates a hazardous situation which, if not avoided, could result in minor or moderate injury. Failure to follow the steps listed below could result in damage to equipment or personal injury.

- Consult qualified personnel with questions and all electrical repairs must be performed by trained and qualified personnel only.
- For motors nameplated as “belted duty only,” do not operate the motor without belts properly installed.
- Motors and/or driven equipment should not be operated faster than their rated speed.
- For inverter applications, follow the inverter manufacturer’s installation guidelines.
- Make sure the motor is properly secured and aligned before operation.

In the event of the resale of any of the goods, in whatever form, Resellers/Buyers shall include the following language in a conspicuous place and in a conspicuous manner in a written agreement covering such sale:

THE MANUFACTURER MAKES NO WARRANTY OR REPRESENTATIONS, EXPRESS OR IMPLIED, BY OPERATION OF LAW OR OTHERWISE, AS TO THE MERCHANTABILITY OR FITNESS FOR A PARTICULAR PURPOSE OF THE GOODS SOLD HEREUNDER. BUYER ACKNOWLEDGES THAT IT ALONE HAS DETERMINED THAT THE GOODS PURCHASED HEREUNDER WILL SUITABLY MEET THE REQUIREMENTS OF THEIR INTENDED USE. In no event will the manufacturer be liable for consequential, incidental or other damages. Even if the repair or replacement remedy shall be deemed to have failed of its essential purpose under Section 2-719 of the Uniform Commercial Code, the manufacturer shall have no liability to Buyer for consequential damages.

Resellers/Buyers agree to also include this entire document including the warnings and cautions above in a conspicuous place and in a conspicuous manner in writing to instruct users on the safe usage of the product.

This information should be read together with all other printed information supplied by Regal.

For more information contact: Regal Beloit America, Inc., 1051 Cheyenne Avenue, Grafton, Wisconsin 53024

Phone: 262-377-8810 or Fax: 262-377-3440

Warnings and Cautions

Mechanical

IMPORTANT INFORMATION PLEASE READ CAREFULLY

The following **WARNING** and **CAUTION** information is supplied to you for your protection and to provide you with many years of trouble free and safe operation of your Regal® product:

Read ALL instructions prior to operating reducer. Injury to personnel or reducer failure may be caused by improper installation, maintenance or operation.

WARNING

Indicates a hazardous situation which, if not avoided, could result in death or serious injury. Failure to follow the steps listed below could result in damage to equipment or personal injury.

- Written authorization from Regal is required to operate or use reducers in man lift or people moving devices.
- Check to make certain application does not exceed the allowable load capacities published in the current catalog.
- Buyer shall be solely responsible for determining the adequacy of the product for any and all uses to which buyer shall apply the product. The application by buyer shall not be subject to any implied warranty of fitness for a particular purpose.
- For safety, buyer or user should provide protective guards over all shaft extensions and any moving apparatus mounted thereon. The User is responsible for checking all applicable safety codes in his area and providing suitable guards. Failure to do so may result in bodily injury and/or damage to equipment.
- Hot oil and reducers can cause severe burns. Use extreme care when removing lubrication plugs and vents.
- Make certain that the power supply is disconnected before attempting to service or remove any components. Lock out the power supply and tag it to prevent unexpected application of power.
- Reducers are not to be considered fail safe or self-locking devices. If these features are required, a properly sized, independent holding device should be utilized. Reducers should not be used as a brake.
- Any brakes that are used in conjunction with a reducer must be sized or positioned in such a way so as to not subject the reducer to loads beyond the catalog rating.
- Lifting supports including eyebolts are to be used for vertically lifting the gearbox only and no other associated attachments or motors.
- Use of an oil with an EP additive on units with backstops may prevent proper operation of the backstop. Injury to personnel, damage to the reducer or other equipment may result.
- Overhung loads subject shaft bearings and shafts to stress which may cause premature bearing failure and/or shaft breakage from bending fatigue, if not sized properly.

CAUTION

Indicates a hazardous situation which, if not avoided, could result in minor or moderate injury. Failure to follow the steps listed below could result in damage to equipment or personal injury.

- Test run unit to verify operation. If the unit tested is a prototype, that unit must be of current production.
- If the speed reducer cannot be located in a clear and dry area with access to adequate cooling air supply, then precautions must be taken to avoid the ingestion of contaminants such as water and the reduction in cooling ability due to exterior contaminants.
- Mounting bolts should be routinely checked to ensure that the unit is firmly anchored for proper operation.

In the event of the resale of any of the goods, in whatever form, resellers/buyers will include the following language in a conspicuous place and in a conspicuous manner in a written agreement covering such sale:

THE MANUFACTURER MAKES NO WARRANTIES OR REPRESENTATIONS, EXPRESS OR IMPLIED, BY OPERATION OF LAW OR OTHERWISE, AS TO THE MERCHANTABILITY OR FITNESS FOR A PARTICULAR PURPOSE OF THE GOODS SOLD HEREUNDER. BUYER ACKNOWLEDGES THAT IT ALONE HAS DETERMINED THAT THE GOODS PURCHASED HEREUNDER WILL SUITABLY MEET THE REQUIREMENTS OF THEIR INTENDED USE. IN NO EVENT WILL THE MANUFACTURER BE LIABLE FOR CONSEQUENTIAL, INCIDENTAL OR OTHER DAMAGES. Even if the repair or replacement remedy shall be deemed to have failed of its essential purpose under Section 2-719 of the Uniform Commercial Code, the manufacturer shall have no liability to Buyer for consequential damages.

Resellers/buyers agree to also include this entire document including the warnings and cautions above in a conspicuous place and in a conspicuous manner in writing to instruct users on the safe usage of the product. This information should be read together with all other printed information supplied by Regal.



Other Products

AC / DC Controls

Accessories / Kits

Mods / Factory
Options

X-Ref / Index

Tech Information

Warnings/Cautions



Notes

Other Products

AC / DC Controls

Accessories / Kits

Mods / Factory
Options

X-Ref / Index

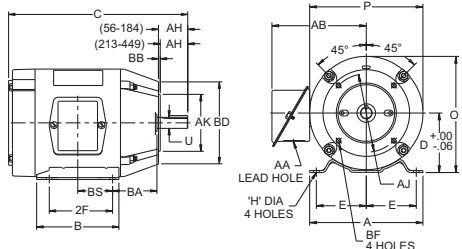
Tech Information

Warnings/Cautions



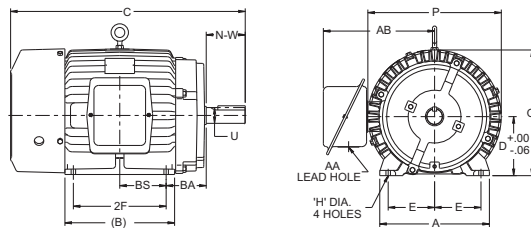
NEMA® Quick Reference Dimensional Chart

Typical C-Face Motor



NEMA C-Face	BA Dimensions
143-5TC	2-3/4
182-4TC	3-1/2
213-5TC	4-1/4
254-6TC	4-3/4

Typical Rigid Base Motor



Contact your sales representative for "AB", "O" & "P" dimensions.

Refer to your LEESON® catalog for "C" dimensions.

Frame	D	E	2F	H	U	N-W	AA	AH	AJ	AK	BA	BBk (MIN)	BD (MAX)	BF
48	3.00	2.12	2.75	.34 SLOT	.5000	1.50	1/2	1.69	3.750	3.000	2.50	.13	5.62	1/4-20
56	3.50	2.44	3.00	.34 SLOT	.6250	1.88	1/2	2.06	5.875	4.500	2.75	.13	6.50	3/8-16
56H	3.50	2.44	5.00	.34 SLOT	.6250	1.88	1/2	2.06	5.875	4.500	2.75	.13	6.50	3/8-16
143T	3.50	2.75	4.00	.34	.8750	2.25	3/4	2.12	5.875	4.500	2.25	.13	6.50	3/8-16
145T	3.50	2.75	5.00	.34	.8750	2.25	3/4	2.12	5.875	4.500	2.25	.13	6.50	3/8-16
182	4.50	3.75	4.50	.41	.8750	2.25	3/4	2.12	5.875	4.500	2.75	.13	6.50	3/8-16
184	4.50	3.75	5.50	.41	.8750	2.25	3/4	2.12	5.875	4.500	2.75	.13	6.50	3/8-16
182T	4.50	3.75	4.50	.41	1.125	2.75	3/4	2.62	7.250	8.500	2.75	.25	9.00	1/2-13
184T	4.50	3.75	5.50	.41	1.125	2.75	3/4	2.62	7.250	8.500	2.75	.25	9.00	1/2-13
213	5.25	4.25	5.50	.41	1.125	3.00	1	2.75	7.250	8.500	3.50	.25	9.00	1/2-13
215	5.25	4.25	7.00	.41	1.125	3.00	1	2.75	7.250	8.500	3.50	.25	9.00	1/2-13
213T	5.25	4.25	5.50	.41	1.375	3.38	1	3.12	7.250	8.500	3.50	.25	9.00	1/2-13
215T	5.25	4.25	7.00	.41	1.375	3.38	1	3.12	7.250	8.500	3.50	.25	9.00	1/2-13
254U	6.25	5.00	8.25	.53	1.375	3.75	1-1/4	3.50	7.250	8.500	4.25	.25	10.00	1/2-13
256U	6.25	5.00	10.00	.53	1.375	3.75	1-1/4	3.50	7.250	8.500	4.25	.25	10.00	1/2-13
254T	6.25	5.00	8.25	.53	1.625	4.00	1-1/4	3.75	7.250	8.500	4.25	.25	10.00	1/2-13
256T	6.25	5.00	10.00	.53	1.625	4.00	1-1/4	3.75	7.250	8.500	4.25	.25	10.00	1/2-13
284U	7.00	5.50	9.50	.53	1.625	4.88	1-1/2	4.62	9.000	10.500	4.75	.25	11.25	1/2-13
286U	7.00	5.50	11.00	.53	1.625	4.88	1-1/2	4.62	9.000	10.500	4.75	.25	11.25	1/2-13
284T	7.00	5.50	9.50	.53	1.875	4.62	1-1/2	4.38	9.000	10.500	4.75	.25	11.25	1/2-13
286T	7.00	5.50	11.00	.53	1.875	4.62	1-1/2	4.38	9.000	10.500	4.75	.25	11.25	1/2-13
284TS	7.00	5.50	9.50	.53	1.625	3.25	1-1/2	3.00	9.000	10.500	4.75	.25	11.25	1/2-13
286TS	7.00	5.50	11.00	.53	1.625	3.25	1-1/2	3.00	9.000	10.500	4.75	.25	11.25	1/2-13
324U	8.00	6.25	10.50	.66	1.875	5.62	2	5.38	11.000	12.500	5.25	.25	14.00	5/8-11
326U	8.00	6.25	12.00	.66	1.875	5.62	2	5.38	11.000	12.500	5.25	.25	14.00	5/8-11
324T	8.00	6.25	10.50	.66	2.125	5.25	2	5.00	11.000	12.500	5.25	.25	14.00	5/8-11
326T	8.00	6.25	12.00	.66	2.125	5.25	2	5.00	11.000	12.500	5.25	.25	14.00	5/8-11
324TS	8.00	6.25	10.50	.66	1.875	3.75	2	3.50	11.000	12.500	5.25	.25	14.00	5/8-11
326TS	8.00	6.25	12.00	.66	1.875	3.75	2	3.50	11.000	12.500	5.25	.25	14.00	5/8-11
364U	9.00	7.00	11.25	.66	2.125	6.38	2-1/2	6.12	11.000	12.500	5.88	.25	14.00	5/8-11
365U	9.00	7.00	12.25	.66	2.125	6.38	2-1/2	6.12	11.000	12.500	5.88	.25	14.00	5/8-11
364T	9.00	7.00	11.25	.66	2.375	5.88	2-1/2	5.62	11.000	12.500	5.88	.25	14.00	5/8-11
365T	9.00	7.00	12.25	.66	2.375	5.88	2-1/2	5.62	11.000	12.500	5.88	.25	14.00	5/8-11
364TS	9.00	7.00	11.25	.66	1.875	3.75	2-1/2	3.50	11.000	12.500	5.88	.25	14.00	5/8-11
365TS	9.00	7.00	12.25	.66	1.875	3.75	2-1/2	3.50	11.000	12.500	5.88	.25	14.00	5/8-11
404U	10.00	8.00	12.25	.81	2.375	7.12	3	6.88	11.000	12.500	6.62	.25	15.50	5/8-11
405U	10.00	8.00	13.75	.81	2.375	7.12	3	6.88	11.000	12.500	6.62	.25	15.50	5/8-11
404T	10.00	8.00	12.25	.81	2.875	7.25	3	7.00	11.000	12.500	6.62	.25	15.50	5/8-11
405T	10.00	8.00	13.75	.81	2.875	7.25	3	7.00	11.000	12.500	6.62	.25	15.50	5/8-11
404TS	10.00	8.00	12.25	.81	2.125	4.25	3	4.00	11.000	12.500	6.62	.25	15.50	5/8-11
405TS	10.00	8.00	13.75	.81	2.125	4.25	3	4.00	11.000	12.500	6.62	.25	15.50	5/8-11
444U	11.00	9.00	14.50	.81	2.875	8.62	3	8.38	14.000	16.000	7.50	.25	18.00	5/8-11
445U	11.00	9.00	16.50	.81	2.875	8.62	3	8.38	14.000	16.000	7.50	.25	18.00	5/8-11
444T	11.00	9.00	14.50	.81	3.375	8.50	3	8.25	14.000	16.000	7.50	.25	18.00	5/8-11
445T	11.00	9.00	16.50	.81	3.375	8.50	3	8.25	14.000	16.000	7.50	.25	18.00	5/8-11
444TS	11.00	9.00	14.50	.81	2.375	4.75	3	4.50	14.000	16.000	7.50	.25	18.00	5/8-11
445TS	11.00	9.00	16.50	.81	2.375	4.75	3	4.50	14.000	16.000	7.50	.25	18.00	5/8-11
447T	11.00	9.00	20.00	.81	3.375	8.50	3	8.25	14.000	16.000	7.50	.25	18.00	5/8-11
449T	11.00	9.00	25.00	.81	3.375	8.50	3	8.25	14.000	16.000	7.50	.25	18.00	5/8-11
447TS	11.00	9.00	20.00	.81	2.375	4.75	4 NPT	4.50	14.000	16.000	7.50	.25	18.00	5/8-11
449TS	11.00	9.00	25.00	.81	2.375	4.75	4 NPT	4.50	14.000	16.000	7.50	.25	18.00	5/8-11

Notes

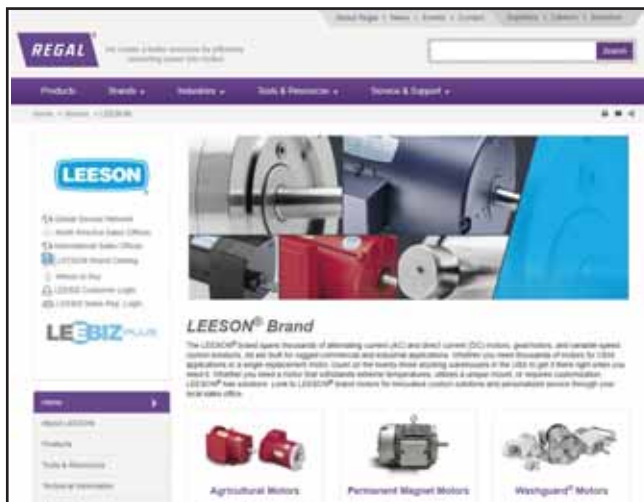
S	Steel frame
A	Aluminum frame
C	Cast Iron frame
US	Made in the USA
MX	Made in Mexico
CA	Made in Canada
CN	Made in China
2	These combination 56H base motors have mounting holes for 56 and 143-5T, and 1/2 diameter shaft with flat 1.5" long
3	Combination 56 H base has mounting holes for NEMA® 56 and 143-5T and a standard NEMA 145T frame shaft of 7/8" Dia.
4	These motors have a NEMA 215T base mounting pattern and shaft height of 5.25", with usable length of 3 3/8" and diameter of 1 1/8" with standard key
5	Combination 56 H base has mounting holes for NEMA 56, and has a standard NEMA 145T frame shaft of 7/8" Dia.
6	Combination 56H base has mounting holes for NEMA 56 and NEMA 143-5T and a standard NEMA 56 shaft of 5/8"
7	48YZ motors have std. 48-frame base with 1/2" dia. X 1 7/8 long shaft ext. with flat. Also includes sleeve to convert shaft to 5/8" dia. With 3/16" square key
8	NEMA 145TC shaft, 7/8" X 2 1/4" and NEMA 56 removable base
9	S56CZ motors have mounting bases with NEMA 56 mounting holes, NEMA 56/143-5T C-face and a NEMA 143-5T shaft extension (7/8"Dia. x 2 1/4" long)
10	Motor has mounting base with 182T mounting holes, shaft height is 4.5". Shaft is std. NEMA 56-5/8" Dia. X 1 7/8" long
11	TEBC totally enclosed blower cooled
12	TENV totally enclosed non-vented
13	TEFC totally enclosed fan cooled
14	F1 mounting only
15	Built-in conduit box located at 12:00
16	1/2" diameter shaft - 2 1/4" long
17	5/8" diameter shaft - 2 5/8" long
18	Shaft extension has keyway and flat 180° apart for ease of mounting
19	Shaft is 5/8" Dia. by 2.0" long
20	Shaft is 5/8" Dia. by 2 5/8" long
21	Shaft is 3/4" Dia. by 3 1/2" long
22	Standard 5/8" diameter shaft with keyway plus 3/4" deep hole drilled and tapped to 1/4-20 UNC in end of shaft to facilitate mounting of some fan blades
23	Standard 7/8" diameter shaft with keyway plus 3/4" deep hole drilled and tapped to 1/4-20 UNC in end of shaft to facilitate mounting of some fan blades
24	Motor's shaft is 1 inch longer than standard
25	Shaft extension has keyway and flat 180° apart for ease of mounting. Useable shaft is 1 1/2" long by 1/2 Dia., 1/8" keyway

26	Shaft is 1/2"Dia. X 1 1/2" long with flat
27	Shaft is 5/8" Dia. X 1.97" long with 3/16" keyway
28	1/4" long extended through-bolts
29	IEC Frame - See IEC dimension chart in back of catalog for dimension information
30	CW rotation only, from lead end of motor
31	For motors having a "P" suffix letter in the date code
32	Motor has terminal board connection
33	Automatic overload - cannot use with VFD
34	1" long extended through-bolts
35	Terminal studs at 12:00
36	Special BA dimension 2.31 for belt guard clearance
37	Uses drip cover kit 175305.00
38	Uses drip cover kit 175004.00
39	Uses drip cover kit 175932.00
40	Uses drip cover kit 175933.00
41	Uses drip cover kit 175846.00
42	Uses drip cover kit 175849.00
43	Uses drip cover kit 175962.00
44	Uses drip cover kit 175963.00
45	Uses drip cover kit 175614.00
46	50 Hz operation at rated HP
47	Rated at 50Hz at full rated HP
48	190/380V, 50Hz at next lowest HP @1.15 S.F.
49	Class F insulated
50	Suitable for single speed operation only
51	Mechanical centrifugal starting switch with overspeed protection, others have electronic start switch
52	Extra high starting torque
53	Capacitor start/capacitor run design for reduced amperage, others are capacitor start/induction run
54	Split phase start, capacitor run is suitable for belt drive with- in the airflow of the fan
55	Split phase start, capacitor run
56	Designed for inverter duty operation
57	Rated for farm duty service
58	Provision for belly band mount, no base
59	Resilient base with provision for belly band mount
60	Rigid base
61	Nema 145TC face mounting with removable NEMA 182T rigid base
62	Provision for belly band and pedestal fan mounting, no rigid base
63	Resilient base
64	Stub shaft on ODE for manual jogging



HAVE YOU TOURED THE NEW REGAL WEBSITE?

REGALBELOIT.COM



FEATURES:

- In depth information about Regal® brands and products
- Competitive cross-reference tool
- Robust product information details
- Rotating 360° views of products
- View products based on solution and application within a specific industry
- Access to dimensional drawings, CAD files, connection diagrams and more

CUSTOMER SEARCH:

Search for products by part number, by product family, by industry, by application, by brand, by solution, by cross reference, by configurator, with engineering tools and more. It is a 360° model designed to guide you to the right item.

INFORMATIONAL TOOL:

The website is packed with information, data, industry facts and statistics.



LEESON

Regal Beloit America, Inc.

1051 Cheyenne Avenue

Grafton, WI 53024

Customer Service: 262-377-8810

Fax: 262-377-9025

www.regalbeloit.com

APPLICATION CONSIDERATIONS

The proper selection and application of products and components, including the related area of product safety, is the responsibility of the customer. Operating and performance requirements and potential associated issues will vary appreciably depending upon the use and application of such products and components. The scope of the technical and application information included in this publication is necessarily limited. Unusual operating environments and conditions, lubrication requirements, loading supports, and other factors can materially affect the application and operating results of the products and components and the customer should carefully review its requirements. Any technical advice or review furnished by Regal Beloit America, Inc. and/or its affiliates ("Regal") with respect to the use of products and components is given in good faith and without charge, and Regal assumes no obligation or liability for the advice given, or results obtained, all such advice and review being given and accepted at customer's risk.

For a copy of our Standard Terms and Conditions of Sale, please visit <https://www.regalbeloit.com/Terms-and-Conditions-of-Sale>. These terms and conditions of sale, disclaimers and limitations of liability apply to any person who may buy, acquire or use a Regal product referred to herein, including any person who buys from a licensed distributor of these branded products.

Regal, LEESON, Lincoln Motors, Marathon Motors, Bravo, CTAC, ECO AG, Eco Saver, Extreme Duck, Globetrotter, IRIS, Leeson FHP Electric Motors, Multiguard, Platinum e, Q-Car, Speedmaster, Ultimate e, Washguard and Wattsaver are trademarks of Regal Beloit Corporation or one of its affiliated companies.

©2000, 2019 Regal Beloit Corporation, All Rights Reserved. MCC18017E L1050E • Printed in USA

