



afmc

Australian Fan & Motor Co Pty Ltd



MaEr Micro-motor

CATALOGUE 2010

- AXIAL FAN MOTOR
- AIR COOLER FAN
- CENTRIFUGAL FAN & MOTOR
- EC AXIAL FAN

01 **MaEr Micro-motor**
马尔电机

09 **Axial Fan Motor**
外转子风机 $\Phi 175 \sim \Phi 900$

26 **Air Cooler Fan**
外转子冷风机风机 $\Phi 300 \sim \Phi 600$

32 **Centrifugal Fan**
外转子离心风机 $\Phi 133 \sim \Phi 355$

39 **EC Axial Fan**
外转子无刷直流风机

Company Introduce

Hangzhou MaEr Micro-motor Co.,Ltd is a professional company specialized in manufacturing various external rotor motors & fans. The company's YWF series product line of the external rotor motors used in the fans are widely applied in the centrifugal fans and the axial fans, which include three-phase motor(S), single-phase capacitance running motor(D), square shade pole(Z) external rotor motor. The rating range of the rotation rate is 500r/min—3000r/min, and the output power is from 5W to 1800W. The YWF line of axial fan with external rotor motors has diversified specifications between $\phi 175\text{mm}$ and $\phi 900\text{mm}$. With the merits of compact structure, high efficiency, low noise, good looking appearance and reliable operation etc., all the products are widely used in the refrigerating apparatus and household appliances.

With the tenet of green, environmental and low carbon, a new product line-EC are going into operation. Driving with the brushless direct current electromotor, these new energy-saving fans have the merits of high efficiency, flexible speed change, secure method for speed control etc., which can give you wider choices.

The motors and fans supplied by us were awarded the honor of high quality in an inspection within the province and city. Moreover the products passed the CE and CCC certifications in 2003. The company also obtain the national industrial production license.

The company is also certified by the quality management system of ISO 9001:2000, which has perfect quality assurance system and strict quality assuring measures.

With the tenet of leading by technology and based on quality, the company are always ready to provide excellent products and good service to build glory with all the clients.

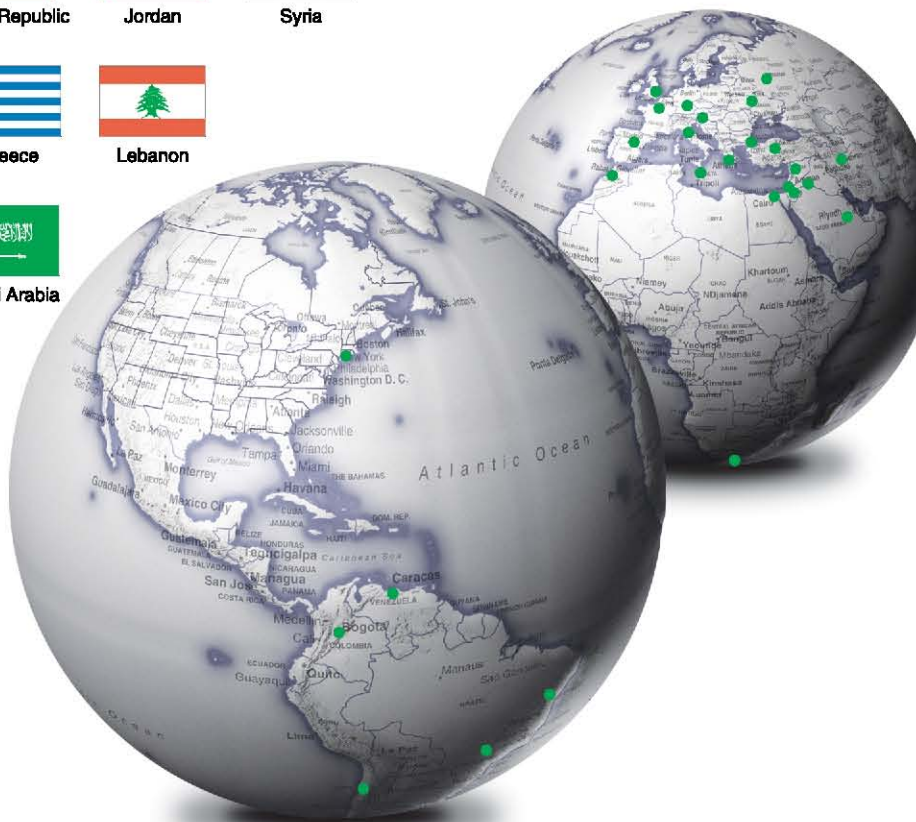


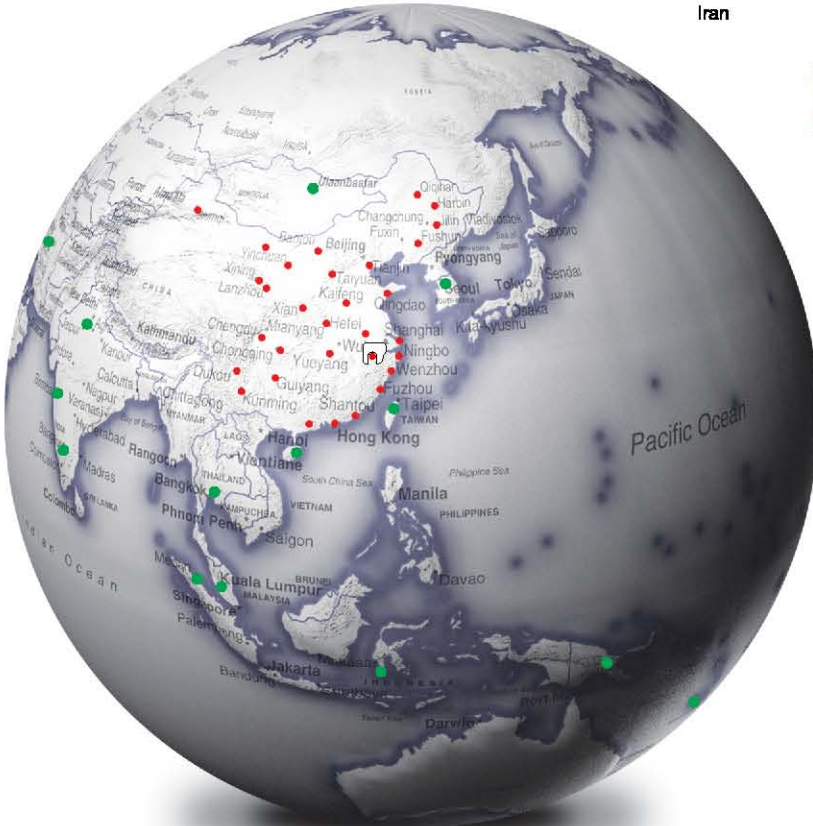
MaEr Micro-motor

www.maerwdj.com

Professional · Honest · Human Oriented

销售网络 / Commercial Network





Iran



Turkey



Thailand



Singapore



Indonesia



Israel



Vietnam



South Korea



Mongolia



Malaysia



Hungary



Australia



India



New Zealand



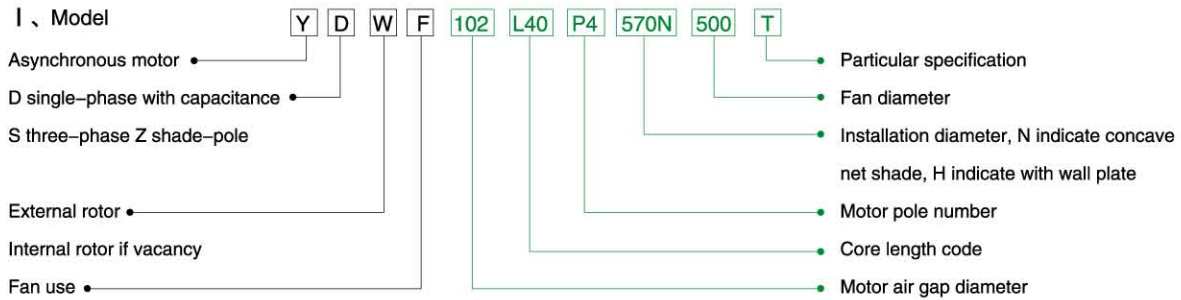
South Africa



Egypt



Product Introduction



II、 Voltage

Conventional products: three-phase motor is AC380V/50Hz, single-phase motor and shade-pole motor are AC220V/50Hz, special voltage or frequency, and universal product, need special state when orders.

III、 Wind direction

Conventional products are suction type: air flow from motor to net shade. If reversed should be stated blowing type.

IV、 Capability parameter

The 50Hz axial fan with same diameters and pole number, no matter single phase or three phase, motor shaft power is same, the parameter which showed as the instruction, which is tested when the inlet and outlet are static pressure. The noise of the fans is measured one meter away from the outlet (45°).

V、 Air flow curve

The flux(Q) is measured, using type C inlet tester according to GB/T 1236 (idt ISO 5801) and tapered import nozzle, while the blower is fixed on the tester with net shade.

VI、 Motor temperature rising tested under inlet pressure is static, when finished, normal fans temperature rising controlled under 50K, air cooler fan controlled under 70K. When the motor insulation Class is B, the suitable working temperature is -40°C ~ +60°C, When the insulation Class is F, the environment range is -40°C ~ 75°C. If beyond the above temperature range, should state when orders.

VII、 All of the single phase motor with thermal protector inside, the operating temperature is 130 ± 5°C (Cl.B) or 150 ± 5°C (Cl.F). Three phase motor if need install the thermal protector, should state when orders.

VIII、 When you need external rotor motor only (without fans and net shade, so no fixing diameter and fan diameter), for the centrifugal blower, you should offer the data of the working: speed, power, fix-size, may as well offer the sample of the fan.

IX、 When you need tap speed change for the external rotor motor, the high speed and its flux will be reduced in order to ensure the slip capability of the low speed.

X、 For the general products, the length of lead is 0.8~1 m, if need special length or junction box should be special noted.

XII、 When booking need to indicate if the fan will be used in the air cooler machine, which need special treatment in order to adapt for low temperature and moisture environment.

XII、 If customer need special enlarge power or special specification products (like Φ315、 Φ330、 Φ380 and so on) need custom-made.

XIII、 The weight marked in the instruction is net weight.



特殊产品定货说明 /FOR SPECIAL PRODUCTS

电机型号 Motor specification: _____ 风机直径 Fan diameter: _____ 数量 Quantity: _____台

一、电压和频率 Voltage and frequency:

1 三相电机 Three-phase motor:

AC380V/50Hz, AC380V/60Hz, 其它 others: AC___V/___Hz.

2 单相电容运转电机 Single-phase motor:

AC220V/50Hz, AC220V/60Hz, 其它 others: AC___V/___Hz.

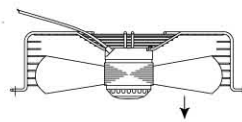
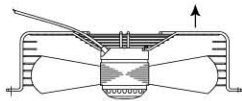
二、风向 Wind direction:

吸风式: 空气从电机向网罩流动

Suction(S): air flow from motor to net shade

吹风式: 空气从网罩向电机流动

Blowing(B): air flow from net shade to motor



三、用途 Used for:

冷凝器 Condenser 冷干机 Cooling and dry machine 冷风机 Air-cooler 离心风机 Centrifugal fan 其它 Others

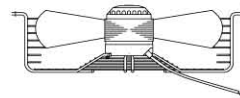
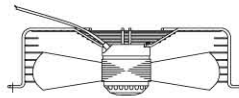
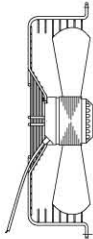
四、安装环境及方式 Environment and installation methods:

室内 Indoor

室外垂直安装 Outdoor and vertical

端盖向上安装 Outdoor and upward

端盖向下安装 Outdoor and downward



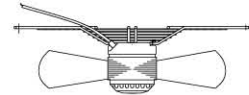
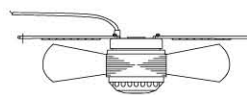
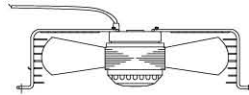
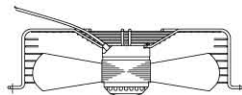
五、网罩 Net shade:

凹网罩N Concave grid N

平网罩P Flat Screen grid P

平板网罩B Flat net grid B

凹板网罩NB Concave flat grid NB



其它 Others

六、调速 Speed change:

不调速, 参数按说明书 No speed change Y/Δ调速 Y/Δ speed change 抽头调速 Tap speed change

带电子调速 With electronic speed controller 其它 Others

七、引出线 Lead cable:

带接线盒 With junction box

引出线长0.8米~1米 Length of lead 0.8 m to 1 m 引出线长 Length of lead _____m 边出线 Border outgoing line

八、离心风机用外转子电机 External rotor motor for centrifugal fan:

1 转向(从出线端看) Rotation direction(look from the lead):

顺时针 Clock Wise (CW) 逆时针 Counter Clock Wise (CCW)

2 法兰 Flange:

有,常规尺寸 Yes,Conventional size 有,客户尺寸 Yes,Customer size 无,外径尺寸 No,the diameter of the rotor _____mm, 公差 Tolerance _____。

九、其它(包括相同要求的其它规格) Others (include other specifications):

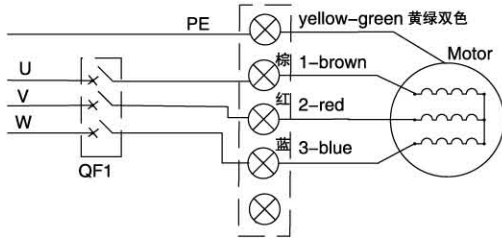
需方 Demander: _____ 联系人 Contactor: _____

电话 Tel: _____ 传真 Fax: _____ 日期 Date: _____

接线图 / WIRING DIAGRAM

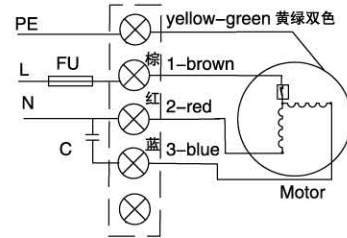
1、普通三相风机接线图

Wiring diagram for common three phase motor with thermal protector



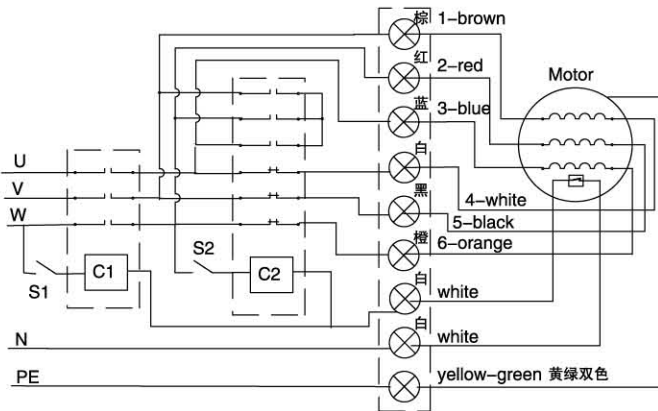
5、普通单相风机接线图

Wiring diagram for common single phase motor



2、三相Y/Δ运行、带热保护器风机接线图

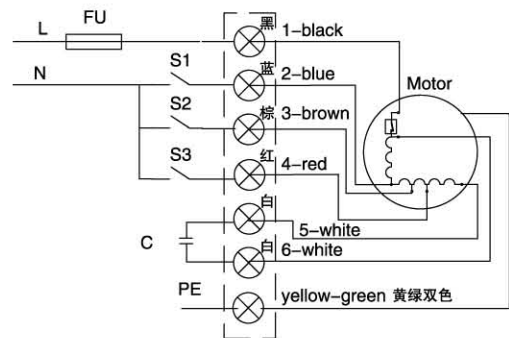
Wiring diagram for fans with thermal protector under three phase Y/Δ connection



C1-运行控制接触器,S1接通,风机运行。
C2-Y/Δ运行控制接触器,S2断开,Δ接法;S2接通,Y接法。
C1-Run control touch machine,connect S1,run fan.
C2-Y/Δ Control touch machine,S2 cut,Δ connection;S2 connect,Y connection.

6、单相抽头调速风机接线图

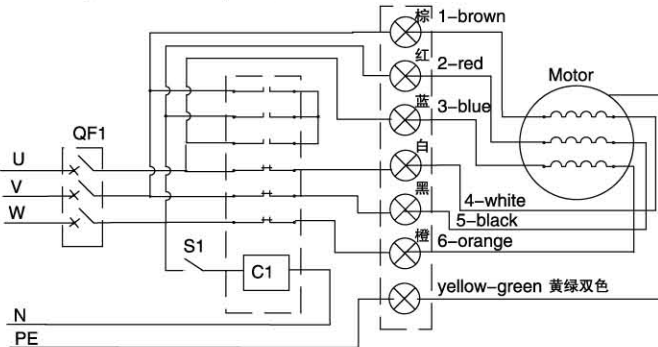
Wiring diagram for single phase tap speed change motor



警告:
S1、S2、S3必须互锁,每时只限于一只合上。
S1、S2、S3分别为高、中、低速档开关。电动机起动应由S1完成。
NOTICE:
S1、S2、S3 Must be lockde each other, every time only one allowed shut.
S1、S2、S3 is high、middle、and low speed switch motor start up should be done by S1.

3、三相Y/Δ运行、不带热保护器风机接线图

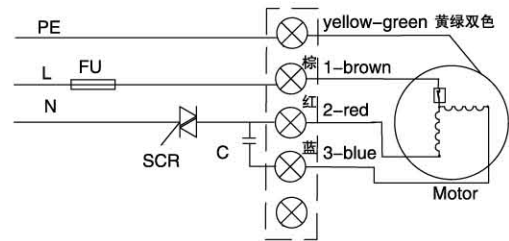
Three phase motor,Y/Δ operate,without thermal protector



QF1-运行控制空气开关,QF1接通,风机运行。
C1-Y/Δ运行控制接触器,S1断开,Δ接法;S1接通,Y接法。
QF1-Run control air switch,connect QF1,fan start.
C1-Y/Δ Run control touch machine,cut S1,Δ connection,connect S1;Y connection.

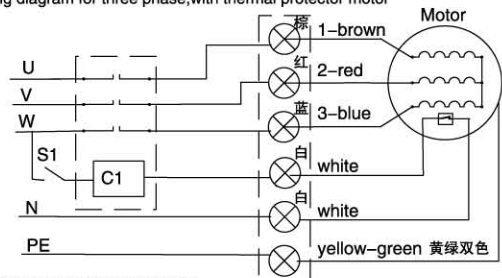
7、单相风机SCR调速接线图I

Wiring diagram drawing I for tap speed change single phase fan with SCR



4、三相风机带热保护器风机接线图

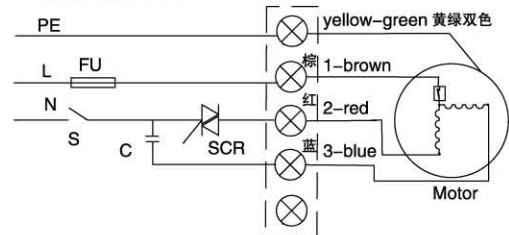
Wiring diagram for three phase,with thermal protector motor



C1-运行控制接触器,S1接通,风机运行。
C1-Run control touch machine,S1 connect,fan start.

8、单相风机SCR调速接线图II

Wiring diagram drawing II for tap speed change single phase fan with SCR



MAER MICRO-MOTOR

9

AXIAL FAN MOTOR

AIR COOLER FAN

CENTRIFUGAL FAN

EC AXIAL FAN

MaEr Micro-motor

www.maerwdj.com

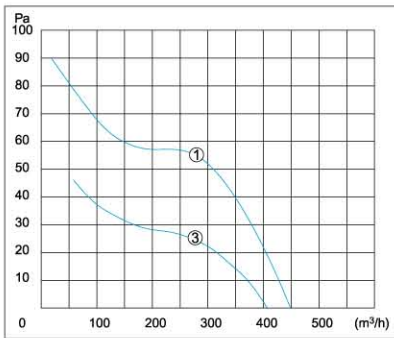
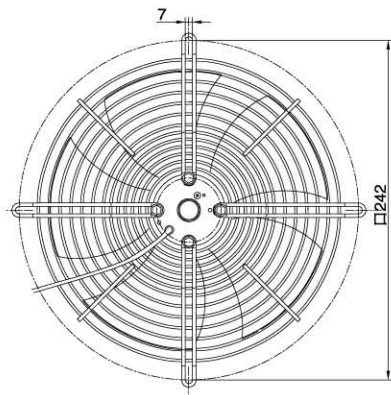
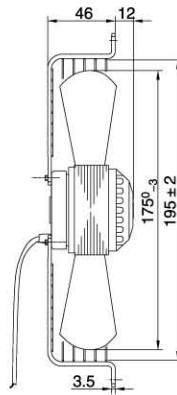
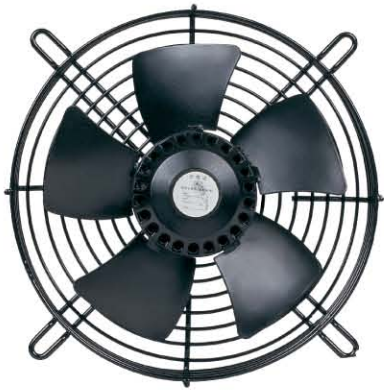
Professional · Honest · Human Oriented

外转子风机 AXIAL FAN MOTOR

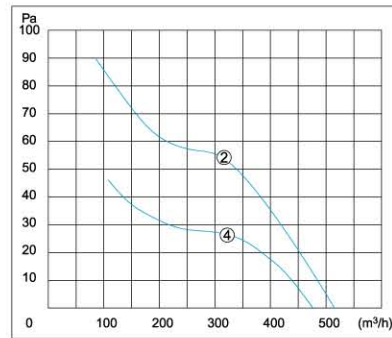
E-mail: maerwdj@yahoo.com.cn
maerfanmotor@gmail.com

外转子风机 AXIAL FAN MOTOR

Φ 175



50Hz



60Hz

型号	电压	频率	曲线编号	风量	转速	输入功率	电流	电容器	噪声	净重
MODEL	VOLTAGE V	FREQUENCY Hz	CURVE NO.	AIR VOLUME m³/h	SPEED r/min	INPUT W	CURRENT A	CAPACITANCE μ F/450V	NOISE dB(A)	NET Kg
YDWF52L20P2-242N-175	220	50	①	450	2600	27	0.15	1.5	61	1.3
		60	②	520	2810	32	0.16		62	
YZWF52L20P2-242N-175	220	50	③	410	2410	50	0.3	/	60	1.3
		60	④	480	2550	56	0.3		63	

MaEr Micro-motor

www.maerwdj.com

Professional · Honest · Human Oriented

外转子风机 AXIAL FAN MOTOR

Φ 200

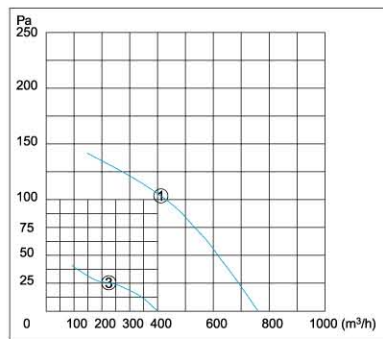
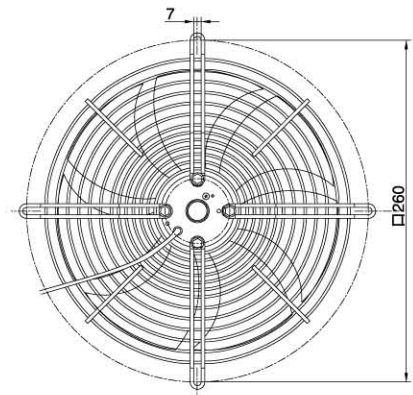
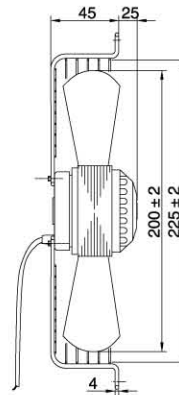
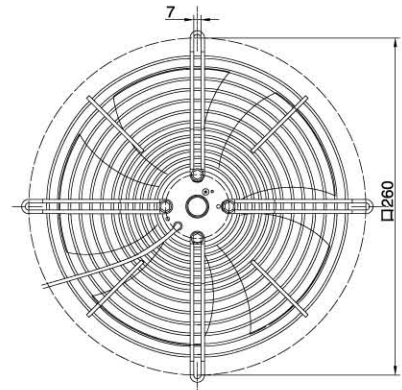
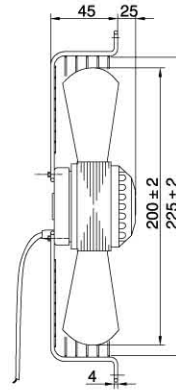
11

AXIAL FAN MOTOR

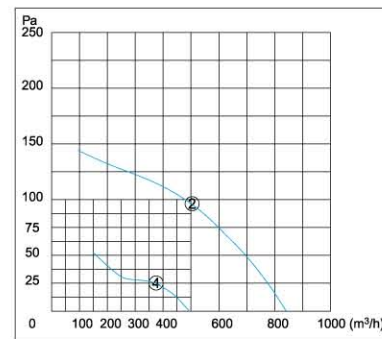
AIR COOLER FAN

CENTRIFUGAL FAN

EC AXIAL FAN



50Hz



60Hz

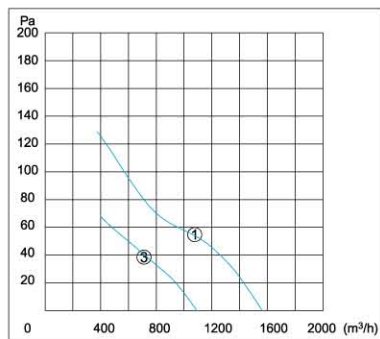
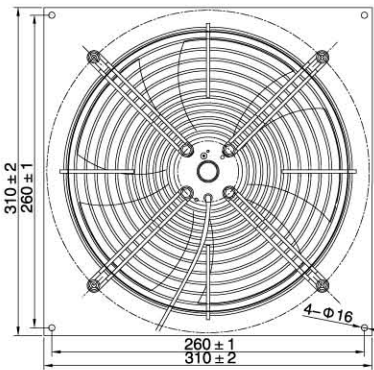
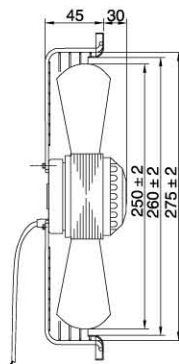
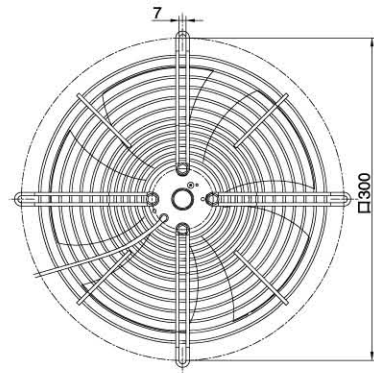
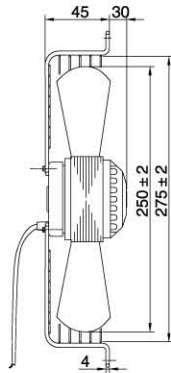
型号	电压	频率	曲线编号	风量	转速	输入功率	电流	电容器	噪声	净重
MODEL	VOLTAGE V	FREQUENCY Hz	CURVE NO.	AIR VOLUME m³/h	SPEED r/min	INPUT W	CURRENT A	CAPACITANCE μ F/450V	NOISE dB(A)	NET Kg
YDWF65L15P2-260N-200	220	50	①	760	2500	67	0.24	1.5	66	2.3
		60	②	840	2730	78	0.37		68	
YSWF65L15P2-260N-200	380	50	①	760	2500	65	0.15	/	66	2.3
		60	②	840	2730	76	0.13		68	
YDWF68L15P4-260N-200	220	50	③	400	1410	30	0.15	1.5	53	2.3
		60	④	480	1700	35	0.17		54	
YSWF68L15P4-260N-200	380	50	③	400	1450	30	0.15	/	53	2.3
		60	④	480	1700	35	0.13		54	

注：上述数据为7叶时的参数。

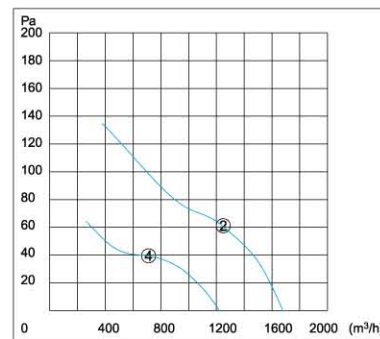
Note: Above parameter is based on 7 impellers type.

外转子风机 AXIAL FAN MOTOR

Φ 250



50Hz



60Hz

型号	电压	频率	曲线编号	风量	转速	输入功率	电流	电容器	噪声	净重
MODEL	VOLTAGE V	FREQUENCY Hz	CURVE NO.	AIR VOLUME m³/h	SPEED r/min	INPUT W	CURRENT A	CAPACITANCE μ F/450V	NOISE dB(A)	NET Kg
YDWF65L25P2-300N-250	220	50	①	1580	2650	95	0.41	4	68	2.8
		60	②	1650	2880	115	0.57		70	
YSWF65L25P2-300N-250	380	50	①	1580	2650	95	0.2	/	68	2.8
		60	②	1680	2990	115	0.2		70	
YDWF68L25P4-300N-250	220	50	③	1100	1400	50	0.24	2	54	2.8
		60	④	1220	1600	57	0.24		55	
YSWF68L25P4-300N-250	380	50	③	1100	1400	50	0.18	/	54	2.8
		60	④	1220	1600	57	0.16		55	

MaEr Micro-motor

www.maerwdj.com

Professional · Honest · Human Oriented

外转子风机 AXIAL FAN MOTOR

Φ 300

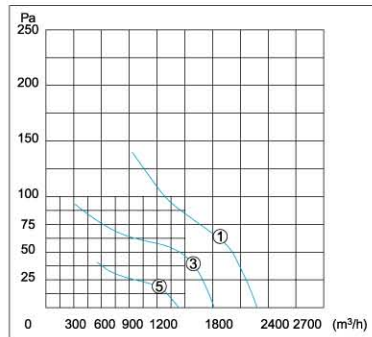
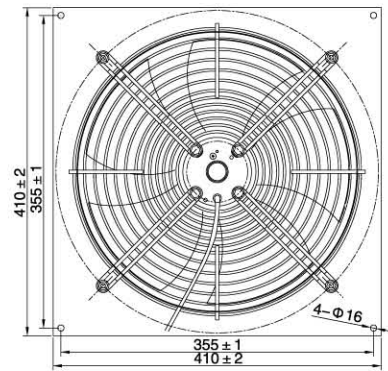
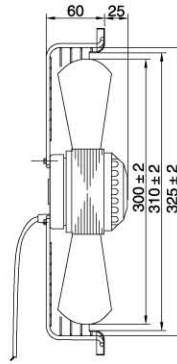
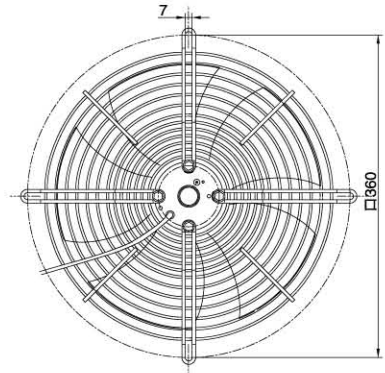
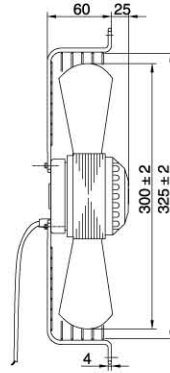
13

AXIAL FAN MOTOR

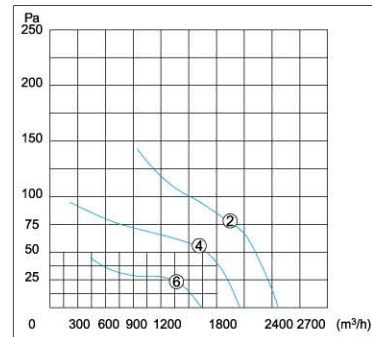
AIR COOLER FAN

CENTRIFUGAL FAN

EC AXIAL FAN



50Hz

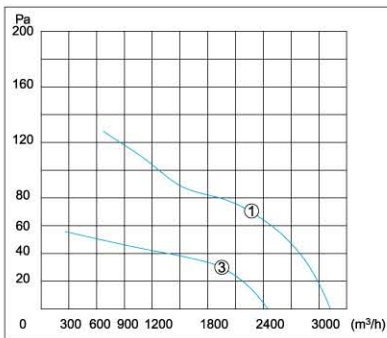
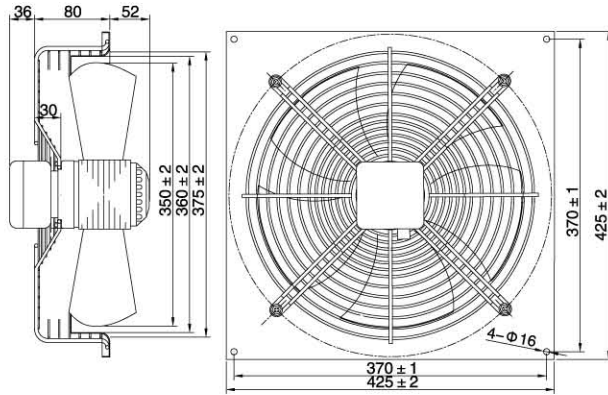
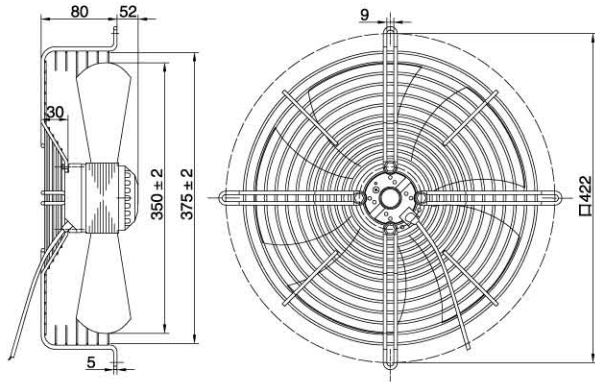


60Hz

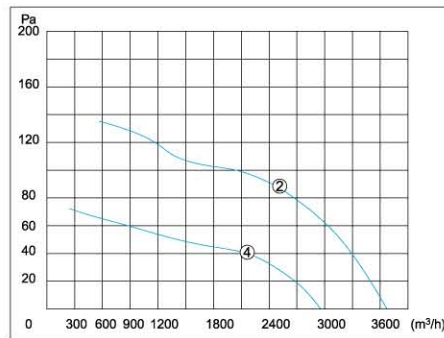
型号	电压	频率	曲线编号	风量	转速	输入功率	电流	电容器	噪声	净重
MODEL	VOLTAGE V	FREQUENCY Hz	CURVE NO.	AIR VOLUME m³/h	SPEED r/min	INPUT W	CURRENT A	CAPACITANCE μ F/450V	NOISE dB(A)	NET Kg
YDWF65L35P2-360N-300	220	50	①	2220	2700	160	0.75	6	70	3
		60	②	2450	2950	220	1.05		73	
YSWF65L35P2-360N-300	380	50	①	2220	2700	160	0.3	/	70	3
		60	②	2450	2950	210	0.33		73	
YDWF68M4-360N-300	220	50	③	1810	1380	90	0.43	3	59	3
		60	④	2050	1623	96	0.44		62	
YSWF68M4-360N-300	380	50	③	1810	1380	90	0.29	/	59	3
		60	④	2050	1630	96	0.39		62	
YDWF68M6-360N-300	220	50	⑤	1420	920	55	0.23	2	55	3
		60	⑥	1640	1070	63	0.28		56	

外转子风机 AXIAL FAN MOTOR

Φ 350



50Hz



60Hz

型号	电压	频率	曲线编号	风量	转速	输入功率	电流	电容器	噪声	净重
MODEL	VOLTAGE V	FREQUENCY Hz	CURVE NO.	AIR VOLUME m³/h	SPEED r/min	INPUT W	CURRENT A	CAPACITANCE μ F/450V	NOISE dB(A)	NET Kg
YDWF74S4-422N-350	220	50	①	3150	1380	150	0.7	4	64	5
		60	②	3650	1600	190	0.88		68	
YSWF74S4-422N-350	380	50	①	3150	1380	150	0.37	/	64	5
		60	②	3650	1600	190	0.34		68	
YDWF74S6-422N-350	220	50	③	2410	915	94	0.45	4	57	5
		60	④	2930	1050	110	0.47		59	
YSWF74S6-422N-350	380	50	③	2410	915	94	0.29	/	57	5
		60	④	2930	1050	110	0.26		59	

MaEr Micro-motor

www.maerwdj.com

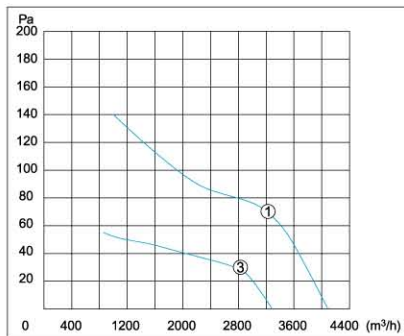
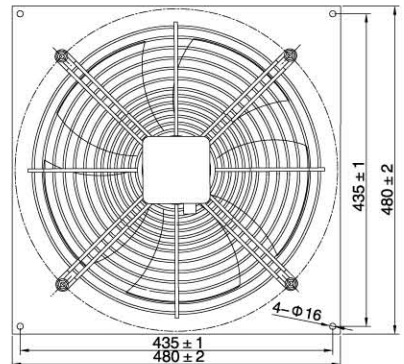
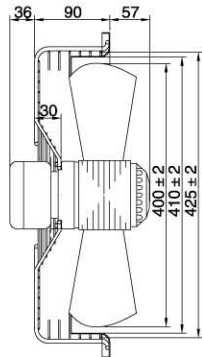
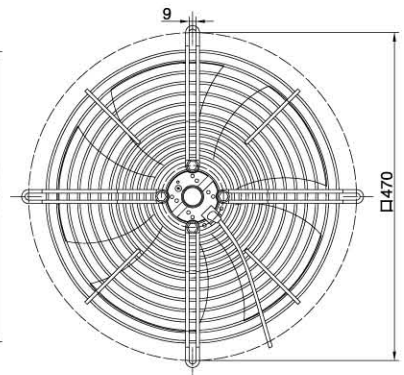
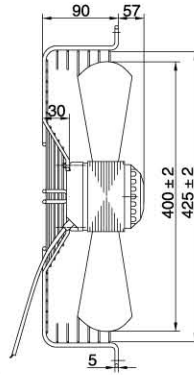
Professional · Honest · Human Oriented

外转子风机 AXIAL FAN MOTOR

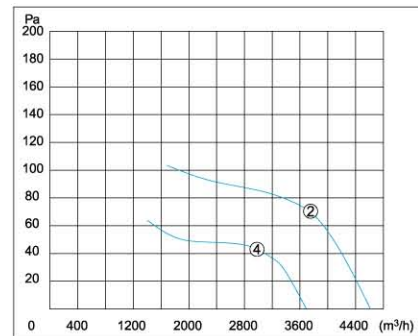
Φ 400

15

AXIAL FAN MOTOR



50Hz



60Hz

AIR COOLER FAN

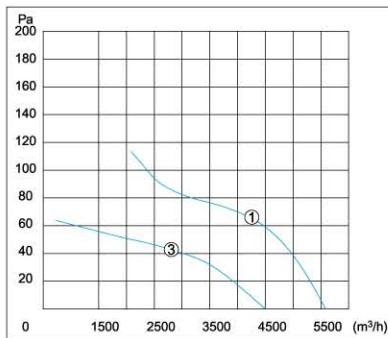
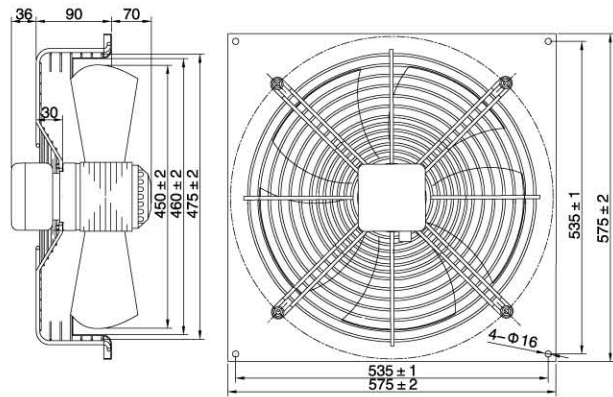
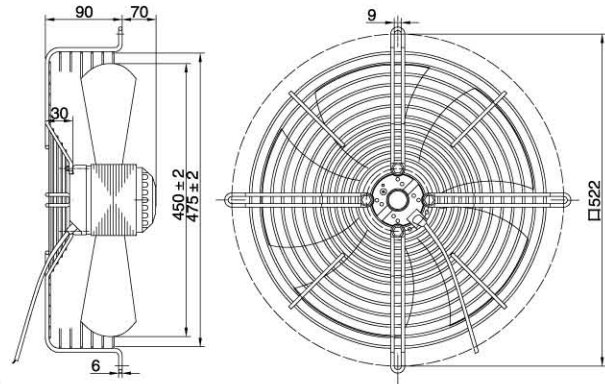
CENTRIFUGAL FAN

EC AXIAL FAN

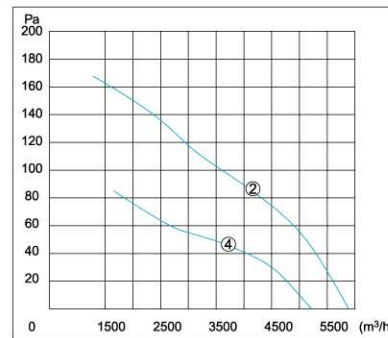
型号	电压	频率	曲线编号	风量	转速	输入功率	电流	电容器	噪声	净重
MODEL	VOLTAGE V	FREQUENCY Hz	CURVE NO.	AIR VOLUME m³/h	SPEED r/min	INPUT W	CURRENT A	CAPACITANCE μ F/450V	NOISE dB(A)	NET Kg
YDWF74M4-470N-400	220	50	①	4235	1400	195	0.91	6	69	6
		60	②	4610	1620	245	1.1		73	
YSWF74M4-470N-400	380	50	①	4235	1400	190	0.48	/	69	6
		60	②	4950	1620	240	0.46		73	
YDWF74M6-470N-400	220	50	③	3290	920	120	0.56	5	60	6
		60	④	3710	1060	138	0.63		63	
YSWF74M6-470N-400	380	50	③	3290	920	120	0.38	/	60	6
		60	④	3710	1060	136	0.35		63	

外转子风机 AXIAL FAN MOTOR

Φ 450



50Hz



60Hz

型号	电压	频率	曲线编号	风量	转速	输入功率	电流	电容器	噪声	净重
MODEL	VOLTAGE V	FREQUENCY Hz	CURVE NO.	AIR VOLUME m³/h	SPEED r/min	INPUT W	CURRENT A	CAPACITANCE μ F/450V	NOISE dB(A)	NET Kg
YDWF74L4-522N-450	220	50	①	5580	1380	240	1.08	8	68	8
		60	②	5850	1600	305	1.4		72	
YSWF74L4-522N-450	380	50	①	5580	1380	240	0.6	/	68	8
		60	②	5850	1600	305	0.58		72	
YDWF74L6-522N-450	220	50	③	4500	920	160	0.75	6	62	8
		60	④	5240	1060	190	0.88		65	
YSWF74L6-522N-450	380	50	③	4500	920	160	0.53	/	62	8
		60	④	5240	1068	190	0.48		65	

MaEr Micro-motor

www.maerwdj.com

Professional · Honest · Human Oriented

外转子风机 AXIAL FAN MOTOR

Φ 500-L35

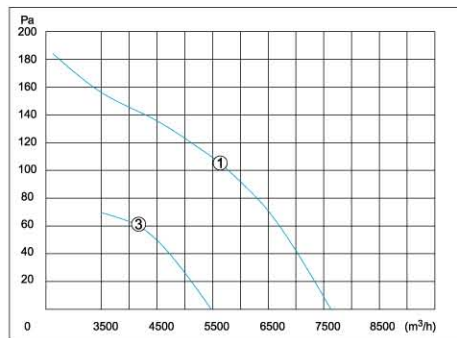
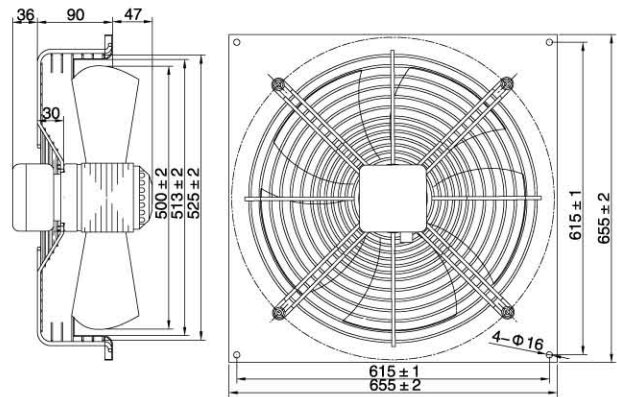
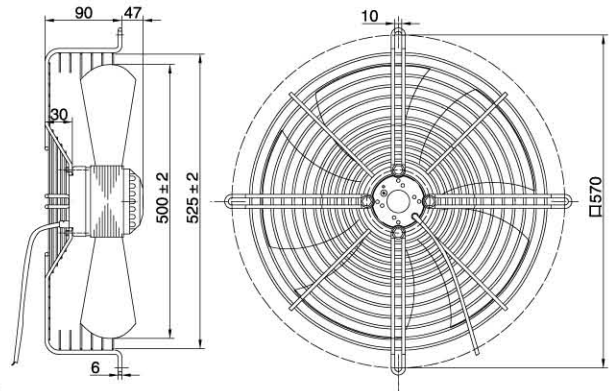
17

AXIAL FAN MOTOR

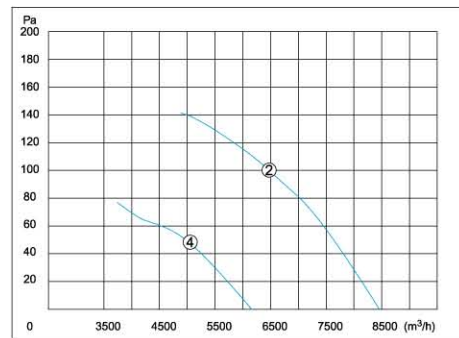
AIR COOLER FAN

CENTRIFUGAL FAN

EC AXIAL FAN



50Hz

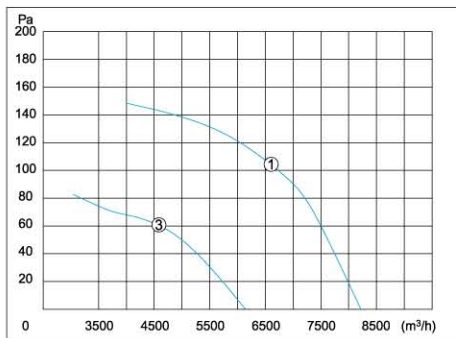
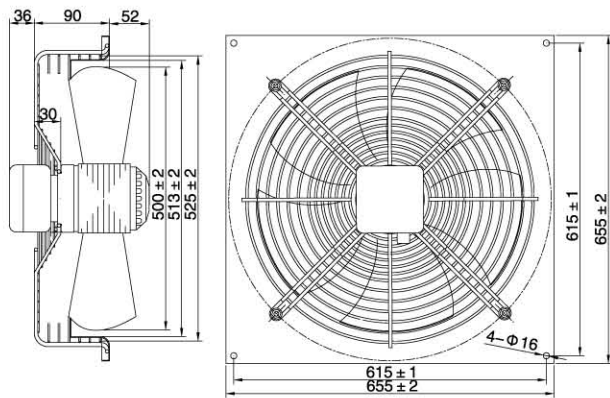
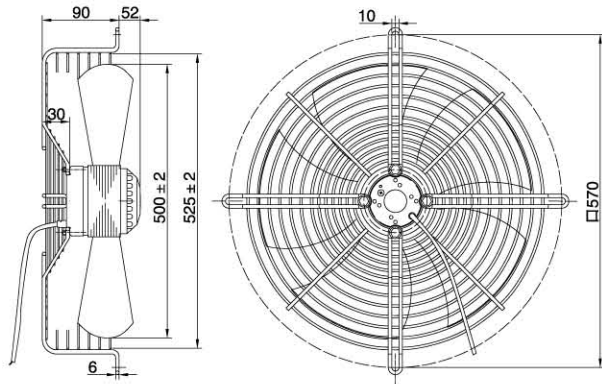


60Hz

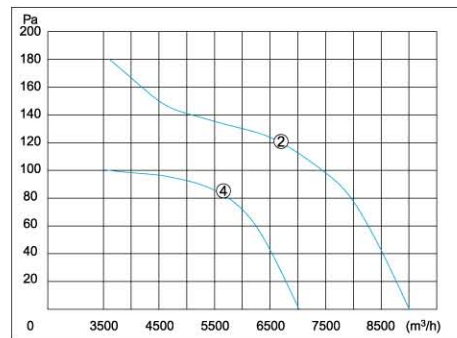
型号	电压	频率	曲线编号	风量	转速	输入功率	电流	电容器	噪声	净重
MODEL	VOLTAGE V	FREQUENCY Hz	CURVE NO.	AIR VOLUME m³/h	SPEED r/min	INPUT W	CURRENT A	CAPACITANCE μ F/450V	NOISE dB(A)	NET Kg
YDWF102L35P4-570N-500	220	50	①	7620	1400	380	1.7	10	70	8.8
		60	②	8420	1630	480	2.1		73	
YSWF102L35P4-570N-500	380	50	①	7620	1400	380	0.85	/	70	8.8
		60	②	8420	1630	470	0.84		73	
YDWF102L35P6-570N-500	220	50	③	5460	905	200	0.91	8	67	8.8
		60	④	6200	1050	260	1.22		69	
YSWF102L35P6-570N-500	380	50	③	5490	930	205	0.58	/	67	8.8
		60	④	6200	1050	260	0.56		69	

外转子风机 AXIAL FAN MOTOR

Φ 500-L40



50Hz



60Hz

型号	电压	频率	曲线编号	风量	转速	输入功率	电流	电容器	噪声	净重
MODEL	VOLTAGE V	FREQUENCY Hz	CURVE NO.	AIR VOLUME m³/h	SPEED r/min	INPUT W	CURRENT A	CAPACITANCE μ F/450V	NOISE dB(A)	NET Kg
YDWF102L40P4-570N-500	220	50	①	8250	1380	460	2.2	12	71	9.2
		60	②	9000	1670	560	2.42		74	
YSWF102L40P4-570N-500	380	50	①	8250	1380	460	1.0	/	71	9.2
		60	②	9000	1670	560	1.05		74	
YDWF102L40P6-570N-500	220	50	③	6200	925	240	1.2	10	67	9.2
		60	④	7000	1100	320	1.5		69	
YSWF102L40P6-570N-500	380	50	③	6200	925	240	0.63	/	67	9.2
		60	④	7000	1068	320	0.67		69	

MaEr Micro-motor

www.maerwdj.com

Professional · Honest · Human Oriented

外转子风机 AXIAL FAN MOTOR

Φ 500-L45

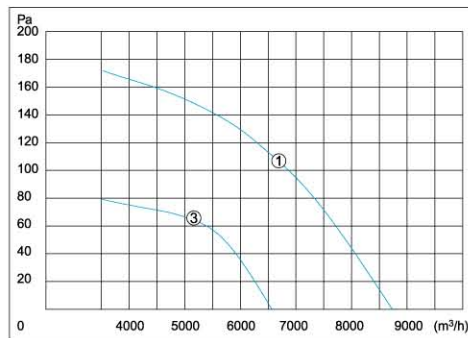
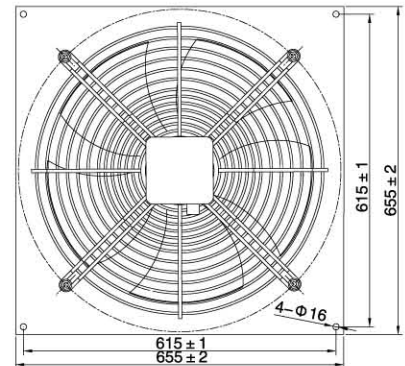
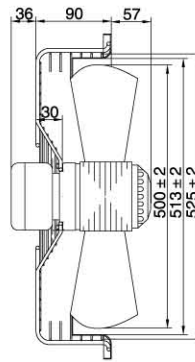
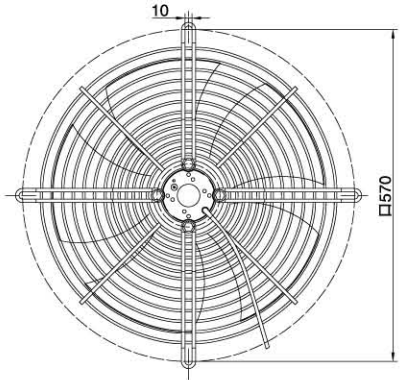
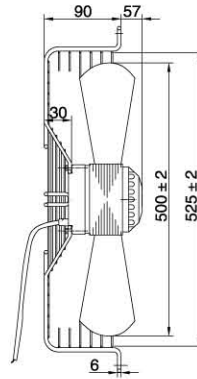
19

AXIAL FAN MOTOR

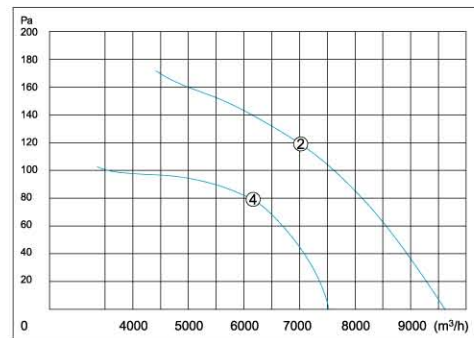
AIR COOLER FAN

CENTRIFUGAL FAN

EC AXIAL FAN



50Hz

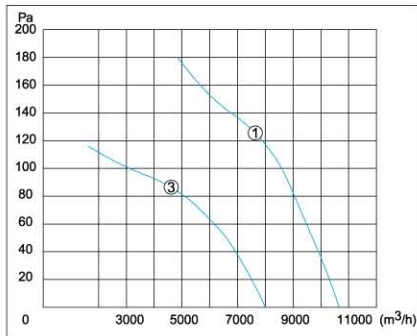
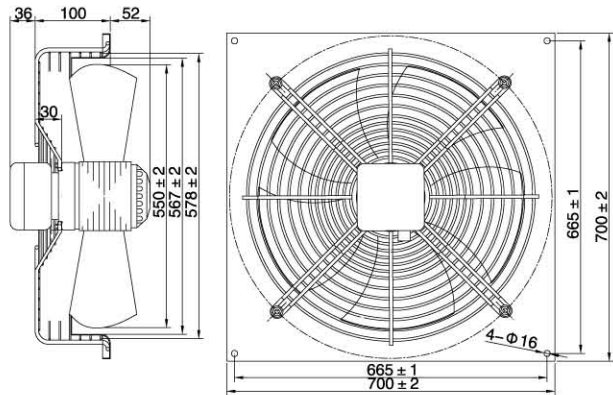
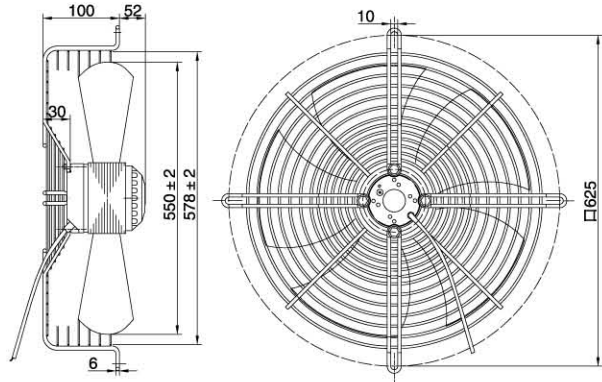


60Hz

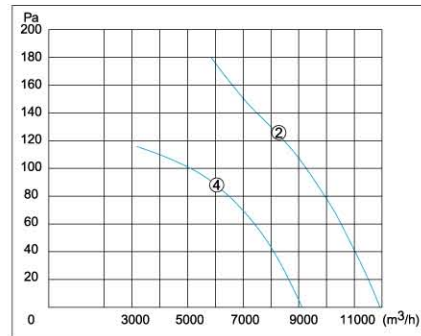
型号	电压	频率	曲线编号	风量	转速	输入功率	电流	电容器	噪声	净重
MODEL	VOLTAGE V	FREQUENCY Hz	CURVE NO.	AIR VOLUME m³/h	SPEED r/min	INPUT W	CURRENT A	CAPACITANCE μ F/450V	NOISE dB(A)	NET Kg
YDWF102L45P4-570N-500	220	50	①	8760	1390	520	2.3	16	72	9.8
		60	②	9600	1660	660	2.9		75	
YSWF102L45P4-570N-500	380	50	①	8760	1390	520	1.2	/	72	9.8
		60	②	9600	1672	650	1.2		75	
YDWF102L45P6-570N-500	220	50	③	6600	928	270	1.3	10	68	9.8
		60	④	7520	1080	375	1.7		71	
YSWF102L45P6-570N-500	380	50	③	6600	928	270	0.73	/	68	9.8
		60	④	7520	1065	375	0.73		71	

外转子风机 AXIAL FAN MOTOR

Φ 550



50Hz



60Hz

型号	电压	频率	曲线编号	风量	转速	输入功率	电流	电容器	噪声	净重
MODEL	VOLTAGE V	FREQUENCY Hz	CURVE NO.	AIR VOLUME m³/h	SPEED r/min	INPUT W	CURRENT A	CAPACITANCE μ F/450V	NOISE dB(A)	NET Kg
YDWF102L50P4-625N-550	220	50	①	10600	1410	550	2.6	16	76	11.5
		60	②	11900	1660	685	3.18		79	
YSWF102L50P4-625N-550	380	50	①	10600	1410	550	1.24	/	76	11.5
		60	②	11900	1660	680	1.25		79	
YDWF102L50P6-625N-550	220	50	③	8000	925	350	1.7	12	71	11.5
		60	④	9100	1047	474	2.07		74	
YSWF102L50P6-625N-550	380	50	③	8000	925	350	0.92	/	71	11.5
		60	④	9100	1070	476	0.95		74	

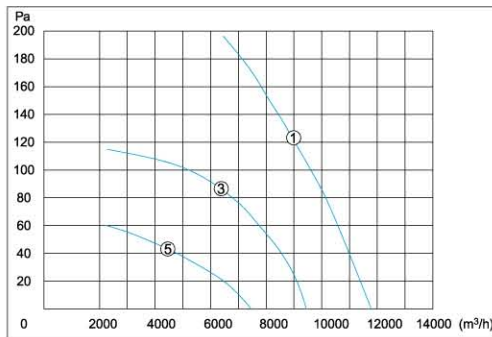
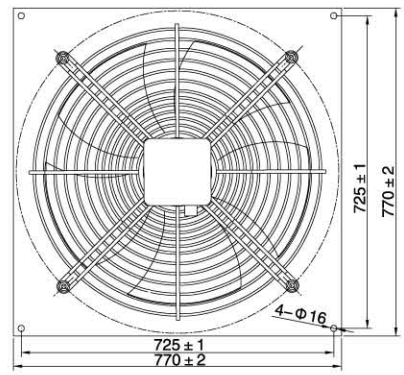
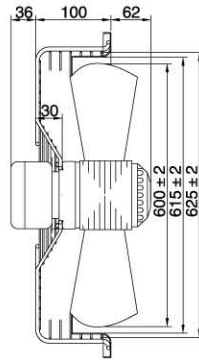
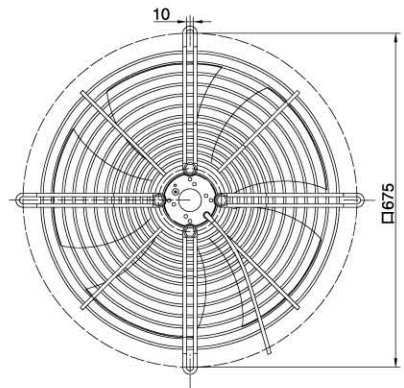
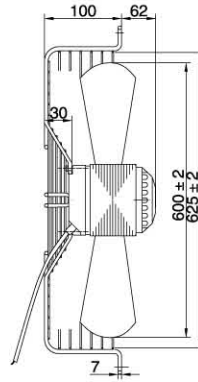
MaEr Micro-motor

www.maerwdj.com

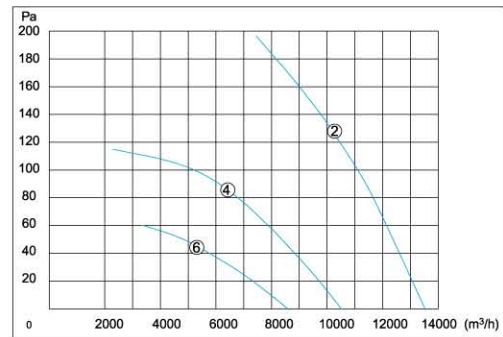
Professional · Honest · Human Oriented

外转子风机 AXIAL FAN MOTOR

Φ 600



50Hz

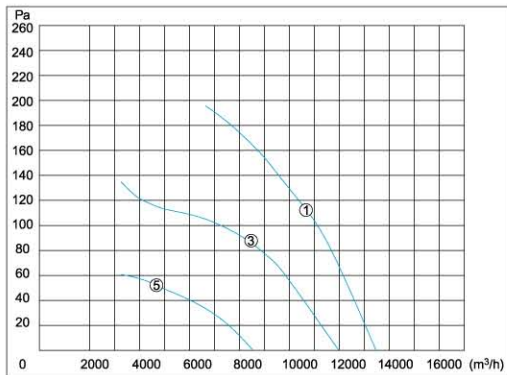
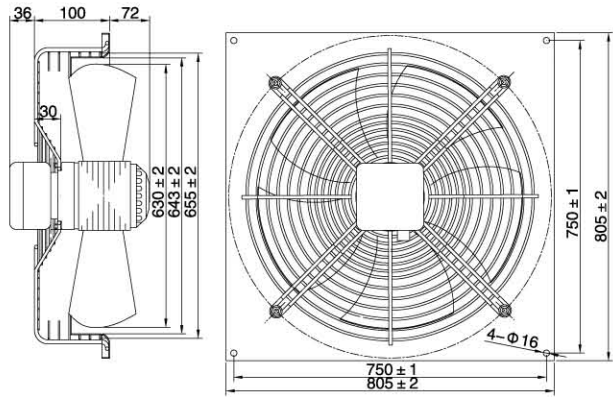
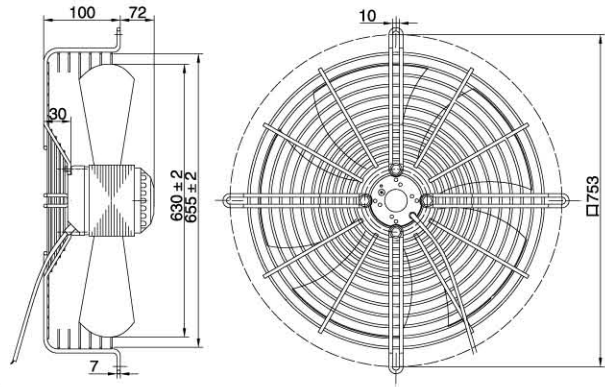


60Hz

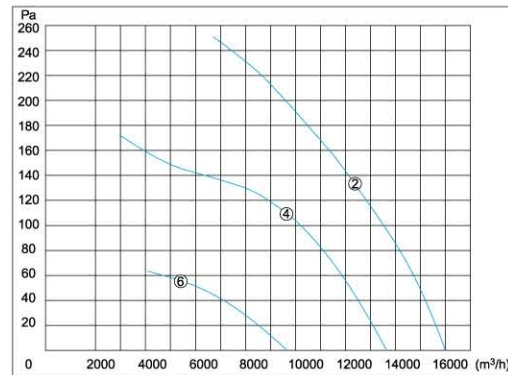
型号	电压	频率	曲线编号	风量	转速	输入功率	电流	电容器	噪声	净重
MODEL	VOLTAGE V	FREQUENCY Hz	CURVE NO.	AIR VOLUME m³/h	SPEED r/min	INPUT W	CURRENT A	CAPACITANCE μ F/450V	NOISE dB(A)	NET Kg
YDWF102L60P4-675N-600	220	50	①	11800	1380	710	3.3	20	76	13.5
		60	②	13500	1600	843	3.85		80	
YSWF102L60P4-675N-600	380	50	①	11800	1380	700	1.45	/	76	13.5
		60	②	13500	1649	840	1.43		80	
YDWF102L60P6-675N-600	220	50	③	9450	930	410	1.9	12	71	13.5
		60	④	10500	1100	480	2.2		74	
YSWF102L60P6-675N-600	380	50	③	9450	930	410	1.1	/	71	13.5
		60	④	10500	1070	510	1.01		74	
YDWF102L60P8-675N-600	220	50	⑤	7400	690	265	1.3	10	68	13.5
		60	⑥	8600	820	340	1.62		70	

外转子风机 AXIAL FAN MOTOR

Φ 630



50Hz



60Hz

型号	电压	频率	曲线编号	风量	转速	输入功率	电流	电容器	噪声	净重
MODEL	VOLTAGE	FREQUENCY	CURVE NO.	AIR VOLUME	SPEED	INPUT	CURRENT	CAPACITANCE	NOISE	NET
	V	Hz		m³/h	r/min	W	A	μ F/450V	dB(A)	Kg
YDWF102L70P4-753N-630	220	50	①	13500	1410	780	3.6	20	77	15
		60	②	16000	1650	900	4.55		81	
YSWF102L70P4-753N-630	380	50	①	13500	1410	780	1.65	/	77	15
		60	②	16000	1685	945	1.7		81	
YDWF102L70P6-753N-630	220	50	③	12000	930	540	2.5	16	72	15
		60	④	13600	1053	605	2.78		75	
YSWF102L70P6-753N-630	380	50	③	12000	930	520	1.25	/	72	15
		60	④	13600	1112	576	1.38		75	
YDWF102L70P8-753N-630	220	50	⑤	8500	680	328	1.5	12	68	15
		60	⑥	9600	820	420	2		71	

MaEr Micro-motor

www.maerwdj.com

Professional · Honest · Human Oriented

外转子风机 AXIAL FAN MOTOR

Φ 710

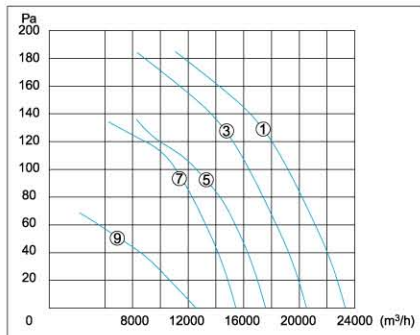
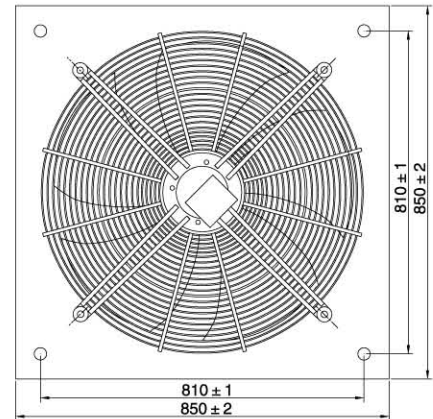
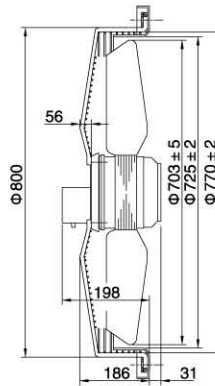
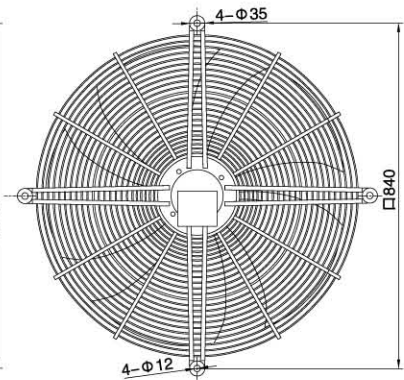
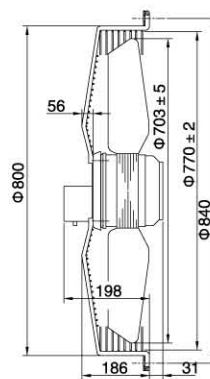
23

AXIAL FAN MOTOR

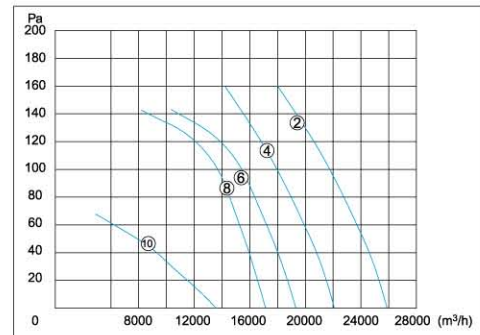
AIR COOLER FAN

CENTRIFUGAL FAN

EC AXIAL FAN



50Hz



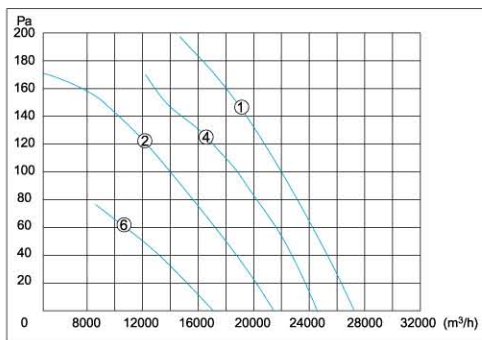
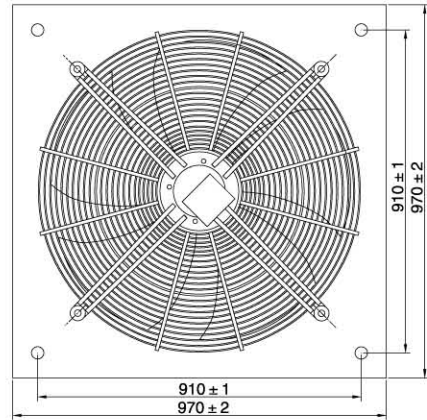
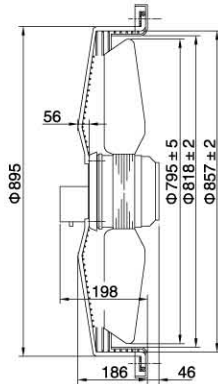
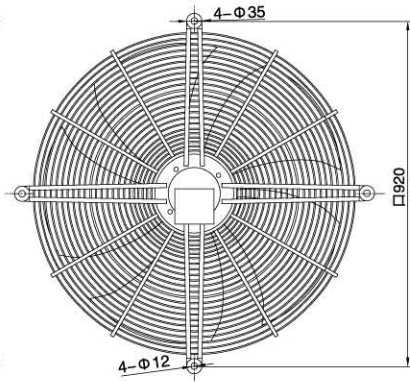
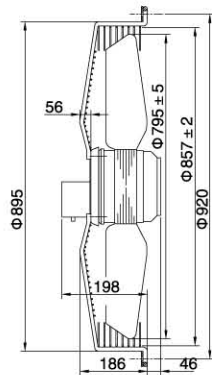
60Hz

型号	电压	频率	曲线编号	风量	转速	输入功率	电流	噪声	净重
MODEL	VOLTAGE V	FREQUENCY Hz	CURVE NO.	AIR VOLUME m ³ /h	SPEED r/min	INPUT W	CURRENT A	NOISE dB(A)	NET Kg
YSWF127L65P4-840N-710	380	50	①	23500	1400	1600	3.2	84	26
		60	②	25800	1640	2050	3.5	88	
YSWF127L50P4-840N-710	380	50	③	20300	1400	1320	2.5	80	23
		60	④	22000	1620	1600	2.7	83	
YSWF127L65P6-840N-710	380	50	⑤	17700	925	1050	2.4	77	26
		60	⑥	19300	1060	1370	2.57	80	
YSWF127L50P6-840N-710	380	50	⑦	15300	920	850	1.95	73	23
		60	⑧	17200	1050	1100	2.0	76	
YSWF127L50P8-840N-710	380	50	⑨	12200	685	430	1.1	67	23
		60	⑩	13700	815	550	1.08	69	

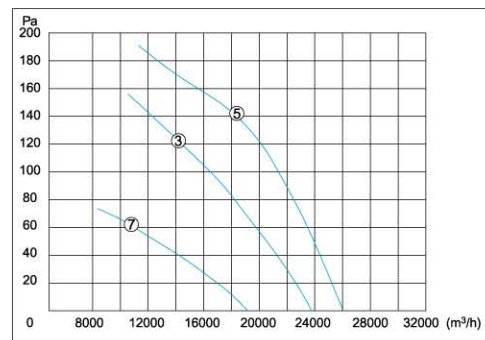
注：三相电机为六个头接线，上述数据为Δ接法时的参数。
Note: Three phase fan with six terminals connect, Δ connect method parament see above.

外转子风机 AXIAL FAN MOTOR

Φ 800



50Hz



60Hz

型号	电压	频率	曲线编号	风量	转速	输入功率	电流	噪声	净重
MODEL	VOLTAGE V	FREQUENCY Hz	CURVE NO.	AIR VOLUME m³/h	SPEED r/min	INPUT W	CURRENT A	NOISE dB(A)	NET Kg
YSWF127L65P4-920N-800	380	50	①	27200	1400	1600	3.2	88	28
YSWF127L65P6-920N-800	380	50	②	21500	920	1100	2.4	83	27
		60	③	23800	1060	1370	2.57	85	
YSWF127L80P6-920N-800	380	50	④	24300	930	1400	3.4	84	31
		60	⑤	26000	1070	1750	3.45	87	
YSWF127L65P8-920N-800	380	50	⑥	17200	680	650	1.5	75	27
		60	⑦	19000	805	820	1.52	77	

注：三相电机为六个头接线，上述数据为Δ接法时的参数。
Note: Three phase fan with six terminals connect, Δ connect method parameter see above.

MaEr Micro-motor

www.maerwdj.com

Professional · Honest · Human Oriented

外转子风机 AXIAL FAN MOTOR

Φ 900

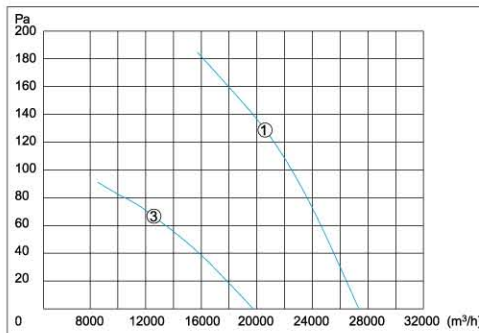
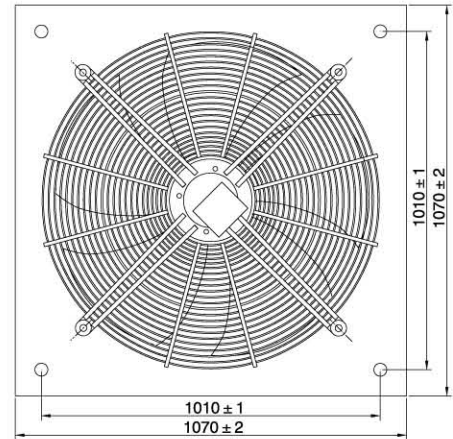
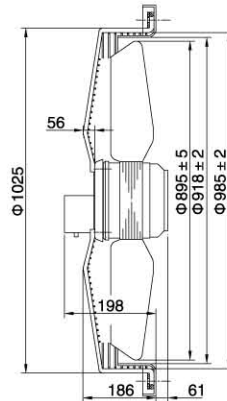
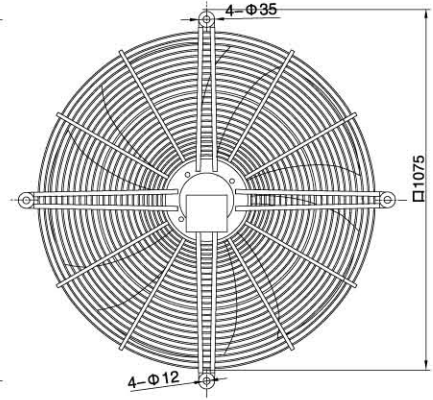
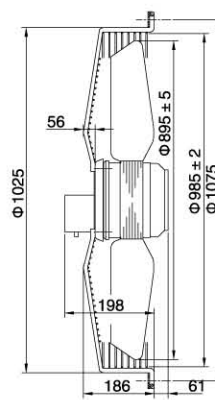
25

AXIAL FAN MOTOR

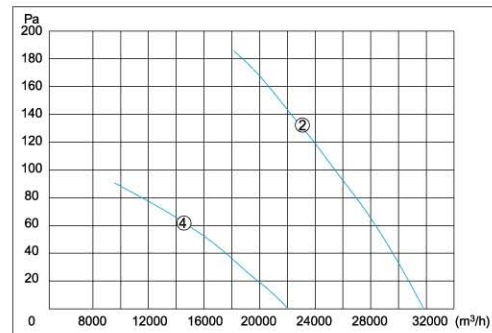
AIR COOLER FAN

CENTRIFUGAL FAN

EC AXIAL FAN



50Hz



60Hz

型号	电压	频率	曲线编号	风量	转速	输入功率	电流	噪声	净重
MODEL	VOLTAGE V	FREQUENCY Hz	CURVE NO.	AIR VOLUME m³/h	SPEED r/min	INPUT W	CURRENT A	NOISE dB(A)	NET Kg
YSWF127L80P6-1075N-900	380	50	①	27200	905	1600	3.5	85	33
		60	②	31800	1070	1750	3.45	88	
YSWF127L80P8-1075N-900	380	50	③	19800	685	860	1.8	77	33
		60	④	22000	810	1050	1.96	79	

注：三相电机为六个头接线，上述数据为Δ接法时的参数。
 Note: Three phase fan with six terminals connect, Δ connect method parament see above.

MaEr Micro-motor

www.maerwdj.com

Professional · Honest · Human Oriented

外转子冷风机风机 AIR COOLER FAN

MAER MICRO-MOTOR

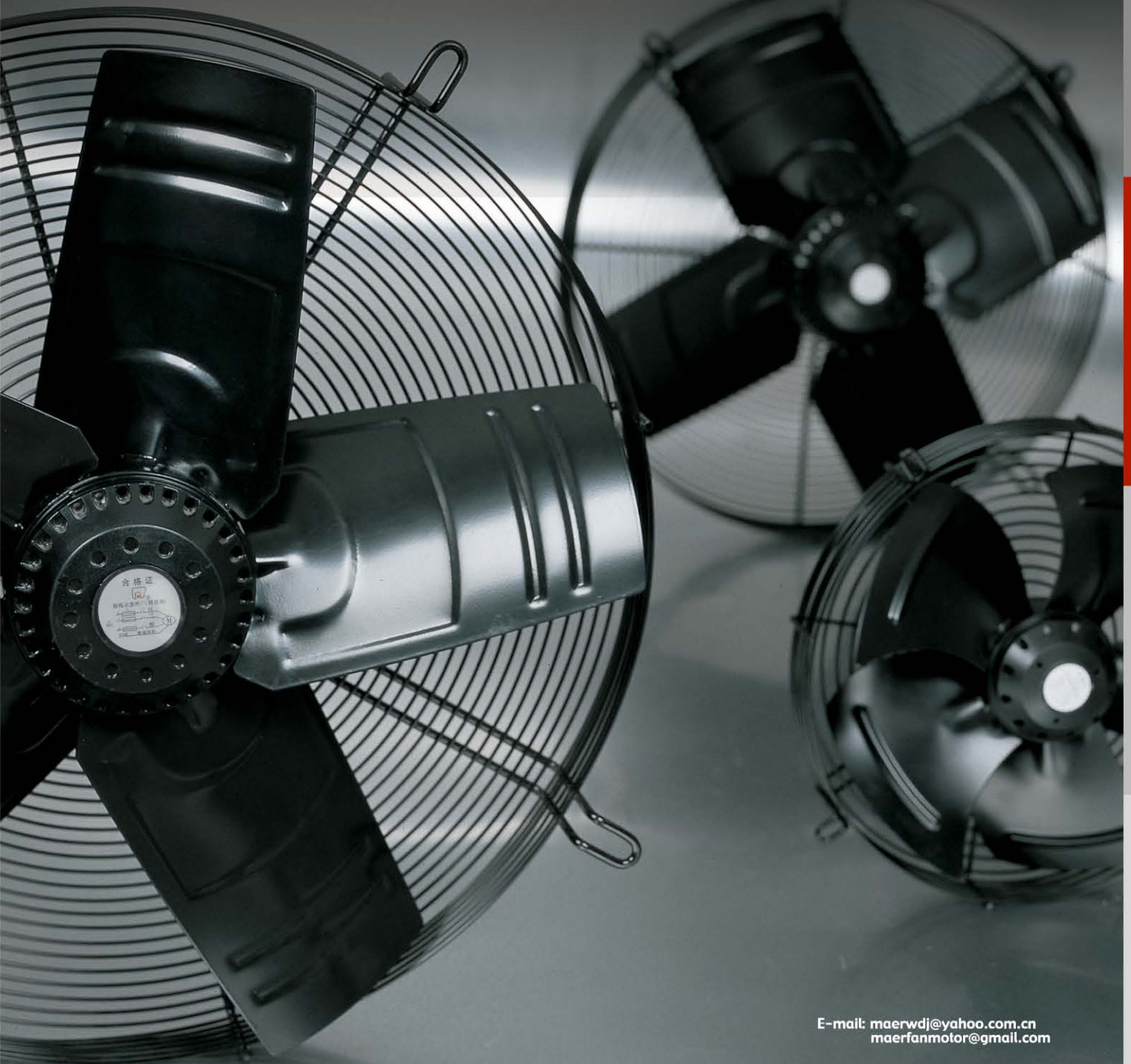
26

AXIAL FAN MOTOR

AIR COOLER FAN

CENTRIFUGAL FAN

EC AXIAL FAN



E-mail: maerwdj@yahoo.com.cn
maerfanmotor@gmail.com

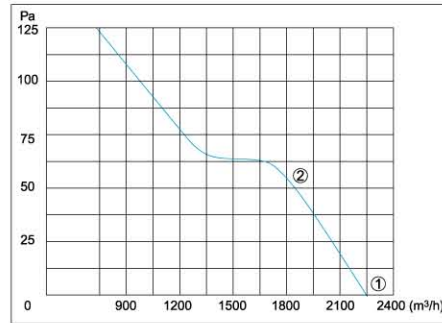
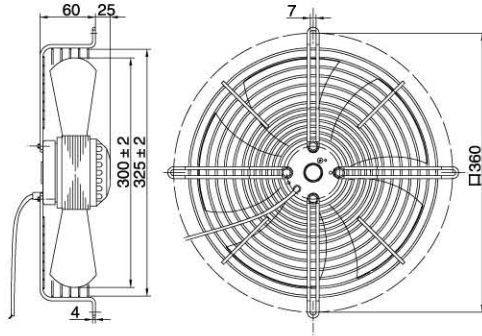
MaEr Micro-motor

www.maerwdj.com

Professional · Honest · Human Oriented

外转子冷风机风机 AIR COOLER FAN

Φ 300



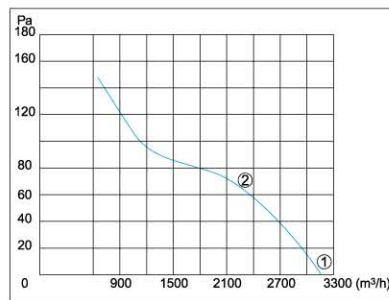
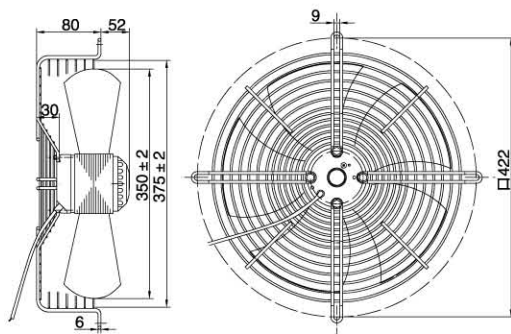
型号MODEL: YSWF68L35P4-300LF

	电压	频率	电流	输入功率	转速	进口静压	风量	射程	噪声	温升	净重
	VOLTAGE	FREQUENCY	CURRENT	INPUT	SPEED	INLET PRESSURE	AIR VOLUME	RANGE	NOISE	TEMPERATURE RISING	NET
	V	Hz	A	W	r/min	Pa	m³/h	m	dB(A)	K	Kg
①	380	50	0.26	83	1400	0	2250	9	59	47	3
②			0.29	100	1300	55	1800	7	61	54	

冷风机电机经特殊工艺处理, 适应低温潮湿环境工作。建议所使用的风机在风压①和②之间使用。
Air cooler fan motor is adapt to low temperature and wet environments by special treatment.
Advise the air cooler fan used between pressure point ① and ②.

外转子冷风机风机 AIR COOLER FAN

Φ 350



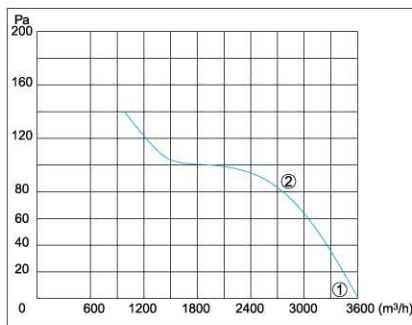
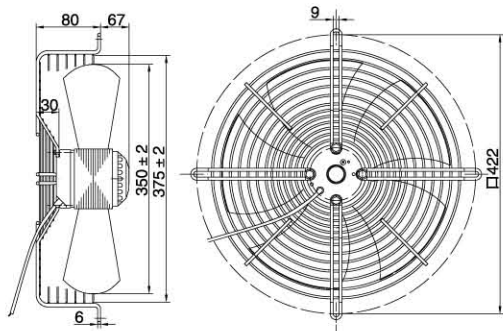
型号MODEL: YSWF74L34P4-350LF

	电压	频率	电流	输入功率	转速	进口静压	风量	射程	噪声	温升	净重
	VOLTAGE	FREQUENCY	CURRENT	INPUT	SPEED	INLET PRESSURE	AIR VOLUME	RANGE	NOISE	TEMPERATURE RISING	NET
	V	Hz	A	W	r/min	Pa	m³/h	m	dB(A)	K	Kg
①	380	50	0.33	138	1385	0	3150	13	64	46.5	5
②			0.36	165	1370	60	2350	10	66	55	

E-mail: maerwdj@yahoo.com.cn
maerfanmotor@gmail.com

外转子冷风机风机 AIR COOLER FAN

Φ 350



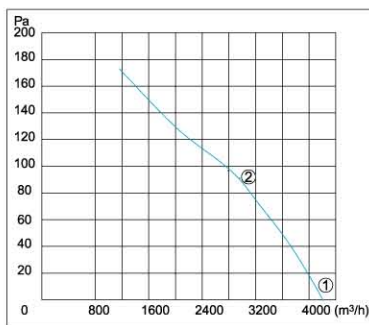
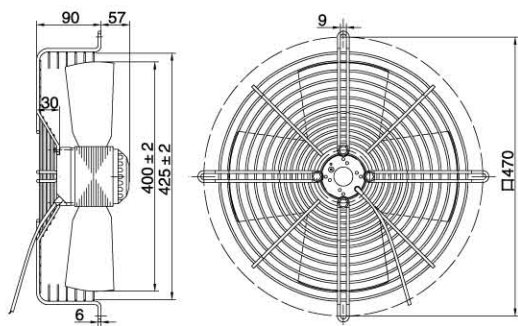
型号MODEL: YSWF74L47P4-350LF

	电压	频率	电流	输入功率	转速	进口静压	风量	射程	噪声	温升	净重
	VOLTAGE	FREQUENCY	CURRENT	INPUT	SPEED	INLET PRESSURE	AIR VOLUME	RANGE	NOISE	TEMPERATURE RISING	NET
	V	Hz	A	W	r/min	Pa	m³/h	m	dB(A)	K	Kg
①	380	50	0.34	180	1400	0	3600	15	64	47	5.5
②			0.49	210	1370	80	2800	13	67	60	

冷风机电机经特殊工艺处理，适应低温潮湿环境工作。建议所使用的风机在风压①和②之间使用。
 Air cooler fan motor is adapt to low temperature and wet environments by special treatment.
 Advise the air cooler fan used between pressure point ① and ②.

外转子冷风机风机 AIR COOLER FAN

Φ 400



型号MODEL: YSWF74L47P4-400LF

	电压	频率	电流	输入功率	转速	进口静压	风量	射程	噪声	温升	净重
	VOLTAGE	FREQUENCY	CURRENT	INPUT	SPEED	INLET PRESSURE	AIR VOLUME	RANGE	NOISE	TEMPERATURE RISING	NET
	V	Hz	A	W	r/min	Pa	m³/h	m	dB(A)	K	Kg
①	380	50	0.43	180	1400	0	4100	17	66	47	6
②			0.49	210	1370	80	3100	15	68	60	

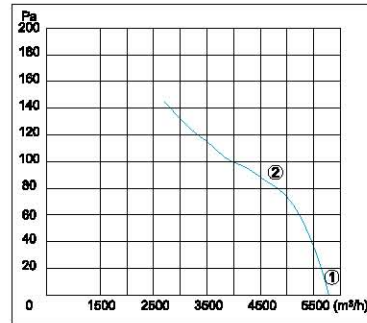
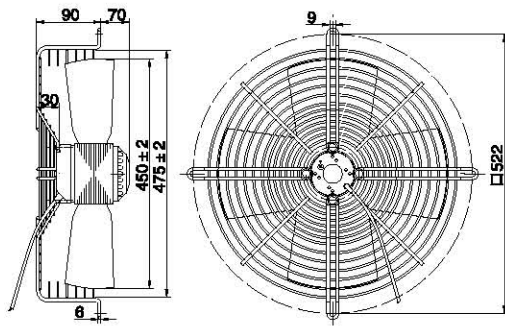
MaEr Micro-motor

www.maerwdj.com

Professional · Honest · Human Oriented

外转子冷风机风机 AIR COOLER FAN

Φ 450



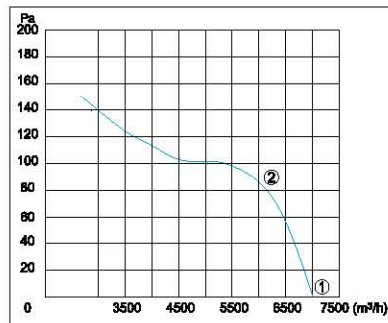
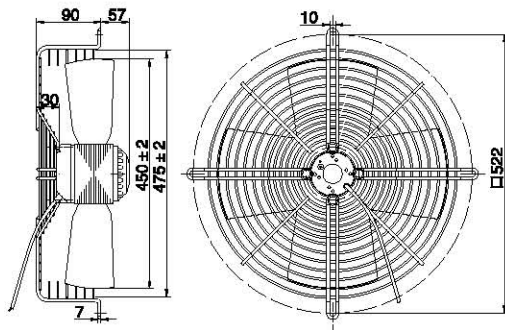
型号MODEL: YSWF74L80P4-450LF

	电压	频率	电流	输入功率	转速	进口静压	风量	射程	噪声	温升	净重
	VOLTAGE	FREQUENCY	CURRENT	INPUT	SPEED	INLET PRESSURE	AIR VOLUME	RANGE	NOISE	TEMPERATURE RISING	NET
	V	Hz	A	W	r/min	Pa	m³/h	m	dB(A)	K	Kg
①	380	50	0.57	246	1378	0	5750	20	68	43.5	8
②			0.63	280	1350	80	4750	17	69	47	

冷风机电机经特殊工艺处理，适应低温潮湿环境工作。建议所使用的风机在风压①和②之间使用。
Air cooler fan motor is adapt to low temperature and wet environments by special treatment.
Advise the air cooler fan used between pressure point ① and ②.

外转子冷风机风机 AIR COOLER FAN

Φ 450



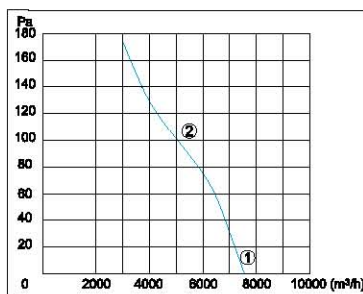
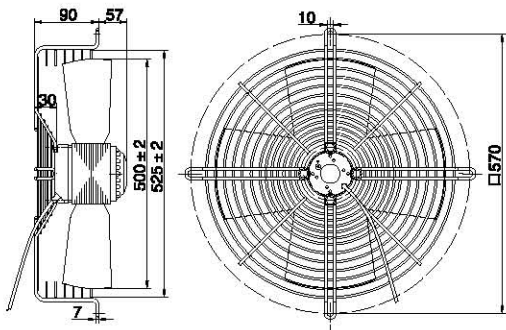
型号MODEL: YSWF102L45P4-450LF

	电压	频率	电流	输入功率	转速	进口静压	风量	射程	噪声	温升	净重
	VOLTAGE	FREQUENCY	CURRENT	INPUT	SPEED	INLET PRESSURE	AIR VOLUME	RANGE	NOISE	TEMPERATURE RISING	NET
	V	Hz	A	W	r/min	Pa	m³/h	m	dB(A)	K	Kg
①	380	50	1.14	495	1400	0	7000	25	72	41	9
②			1.2	520	1390	88	6000	18	74	46	

E-mail: maerwdj@yahoo.com.cn
maerfanmotor@gmail.com

外转子冷风机风机 AIR COOLER FAN

Φ 500



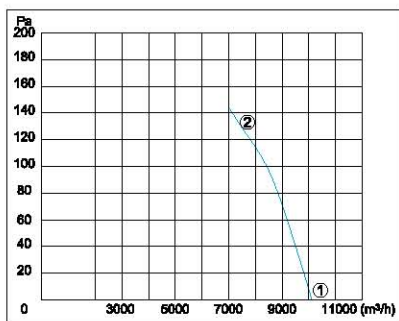
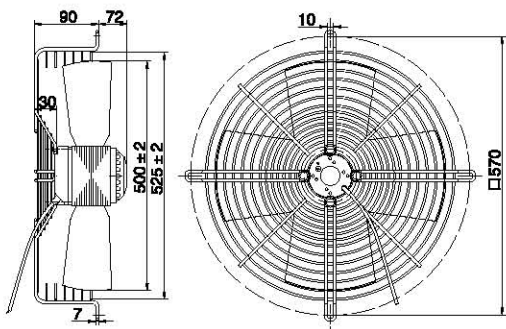
型号MODEL: YSWF102L45P4-500LF

	电压	频率	电流	输入功率	转速	进口静压	风量	射程	噪声	温升	净重
	VOLTAGE	FREQUENCY	CURRENT	INPUT	SPEED	INLET PRESSURE	AIR VOLUME	RANGE	NOISE	TEMPERATURE RISING	NET
	V	Hz	A	W	r/min	Pa	m³/h	m	dB(A)	K	Kg
①	380	50	1.14	495	1400	0	7500	25	74	41	9.8
②			1.2	520	1390	100	5000	20	77	46	

冷风机电机经特殊工艺处理，适应低温潮湿环境工作。建议所使用的风机在风压①和②之间使用。
Air cooler fan motor is adapt to low temperature and wet environments by special treatment.
Advise the air cooler fan used between pressure point ① and ②.

外转子冷风机风机 AIR COOLER FAN

Φ 500



型号MODEL: YSWF102L80P4-500LF

	电压	频率	电流	输入功率	转速	进口静压	风量	射程	噪声	温升	净重
	VOLTAGE	FREQUENCY	CURRENT	INPUT	SPEED	INLET PRESSURE	AIR VOLUME	RANGE	NOISE	TEMPERATURE RISING	NET
	V	Hz	A	W	r/min	Pa	m³/h	m	dB(A)	K	Kg
①	380	50	1.75	805	1410	0	10200	28	75	57	12
②			1.78	850	1400	120	7700	22	78	62	

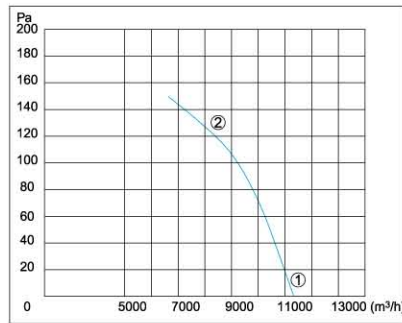
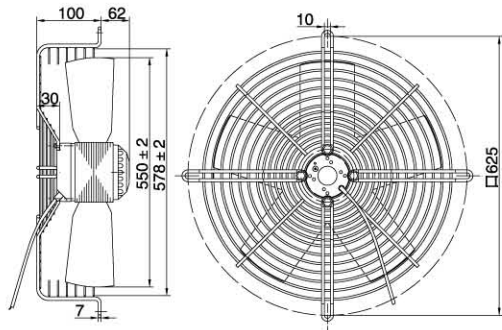
MaEr Micro-motor

www.maerwdj.com

Professional · Honest · Human Oriented

外转子冷风机风机 AIR COOLER FAN

Φ 550



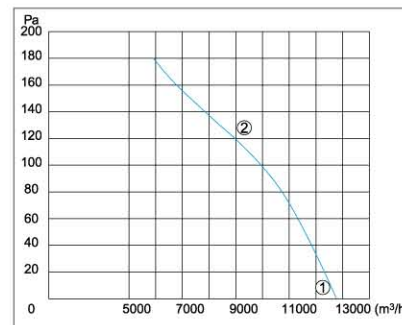
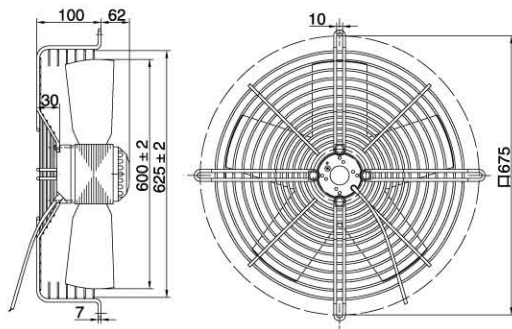
型号MODEL: YSWF102L60P4-550LF

	电压	频率	电流	输入功率	转速	进口静压	风量	射程	噪声	温升	净重
	VOLTAGE	FREQUENCY	CURRENT	INPUT	SPEED	INLET PRESSURE	AIR VOLUME	RANGE	NOISE	TEMPERATURE RISING	NET
	V	Hz	A	W	r/min	Pa	m³/h	m	dB(A)	K	Kg
①	380	50	1.75	805	1410	0	11300	30	77	57	12.5
②			1.78	850	1400	120	8200	25	79	62	

冷风机电机经特殊工艺处理, 适应低温潮湿环境工作。建议所使用的风机在风压①和②之间使用。
Air cooler fan motor is adapt to low temperature and wet environments by special treatment.
Advise the air cooler fan used between pressure point ① and ②.

外转子冷风机风机 AIR COOLER FAN

Φ 600



型号MODEL: YSWF102L60P4-600LF

	电压	频率	电流	输入功率	转速	进口静压	风量	射程	噪声	温升	净重
	VOLTAGE	FREQUENCY	CURRENT	INPUT	SPEED	INLET PRESSURE	AIR VOLUME	RANGE	NOISE	TEMPERATURE RISING	NET
	V	Hz	A	W	r/min	Pa	m³/h	m	dB(A)	K	Kg
①	380	50	1.7	750	1415	0	12800	30	79	56	13.5
②			1.78	850	1400	120	9000	26	81	62	

MaEr Micro-motor

www.maerwdj.com

Professional · Honest · Human Oriented

外转子离心风机 CENTRIFUGAL FAN

MAER MICRO-MOTOR

32

AXIAL FAN MOTOR

AIR COOLER FAN

CENTRIFUGAL FAN

EC AXIAL FAN



E-mail: maerwdj@yahoo.com.cn
maerfanmotor@gmail.com

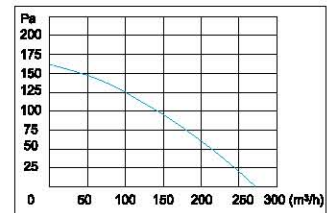
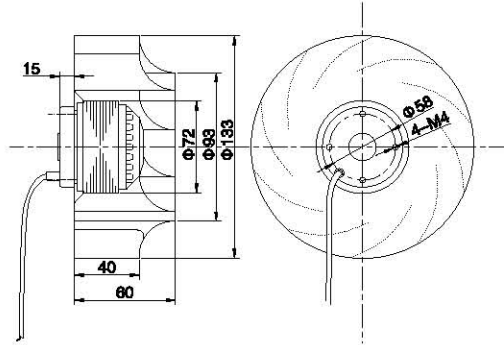
MaEr Micro-motor

www.maerwdj.com

Professional · Honest · Human Oriented

外转子离心风机 CENTRIFUGAL FAN

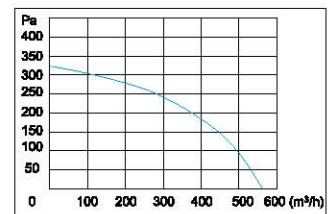
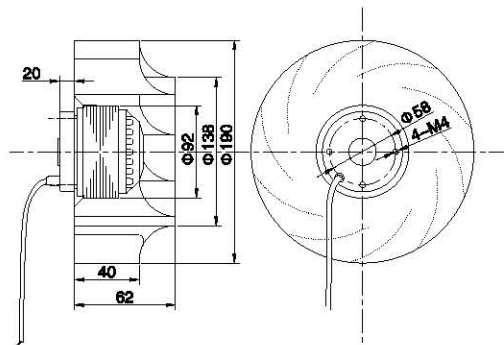
Φ 133



型号	电压	频率	风量	转速	输入功率	电流	电容器	噪声	净重
MODEL	VOLTAGE V	FREQUENCY Hz	AIR VOLUME m³/h	SPEED r/min	INPUT W	CURRENT A	CAPACITANCE μ F/450V	NOISE dB(A)	NET Kg
YDWF52L20P2-133 x 60	220	50	270	2800	26	0.13	1.5	54	0.9
YZWF52L20P2-133 x 60	220	50	240	2410	40	0.25	/	53	0.9

外转子离心风机 CENTRIFUGAL FAN

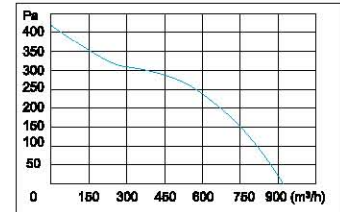
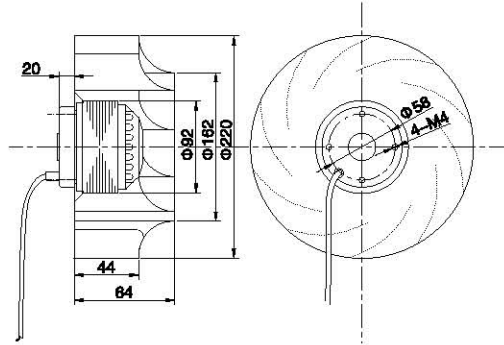
Φ 190



型号	电压	频率	风量	转速	输入功率	电流	电容器	噪声	净重
MODEL	VOLTAGE V	FREQUENCY Hz	AIR VOLUME m³/h	SPEED r/min	INPUT W	CURRENT A	CAPACITANCE μ F/450V	NOISE dB(A)	NET Kg
YDWF65L15P2-190 x 62	220	50	578	2550	65	0.3	2	63	1.5
YSWF65L17P2-190 x 62	380	50	578	2550	60	0.2	/	63	1.5

外转子离心风机 CENTRIFUGAL FAN

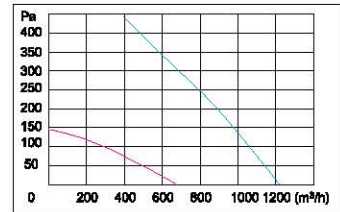
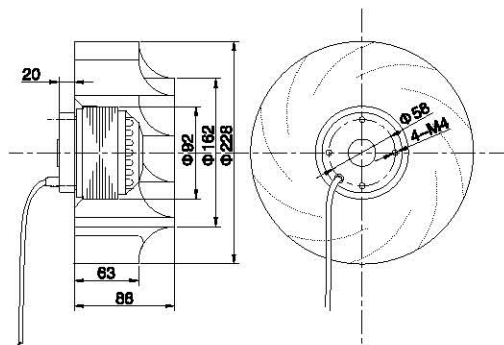
Φ 220



型号	电压	频率	风量	转速	输入功率	电流	电容器	噪声	净重
MODEL	VOLTAGE V	FREQUENCY Hz	AIR VOLUME m³/h	SPEED r/min	INPUT W	CURRENT A	CAPACITANCE μ F/450V	NOISE dB(A)	NET Kg
YDWF65L25P2-220 x 64	220	50	920	2700	100	0.52	3	72	1.9
YSWF65L25P2-220 x 64	380	50	920	2700	100	0.22	/	72	1.9

外转子离心风机 CENTRIFUGAL FAN

Φ 228



型号	电压	频率	风量	转速	输入功率	电流	电容器	噪声	净重
MODEL	VOLTAGE V	FREQUENCY Hz	AIR VOLUME m³/h	SPEED r/min	INPUT W	CURRENT A	CAPACITANCE μ F/450V	NOISE dB(A)	NET Kg
YDWF65L25P2-228 x 88	220	50	1200	2670	120	0.57	4	72	2.2
YSWF65L25P2-228 x 88	380	50	1200	2700	120	0.23	/	72	2.2
YDWF68L25P4-228 x 88	220	50	650	1420	44	0.24	2	60	2.1
YSWF68L25P4-228 x 88	380	50	650	1420	42	0.21	/	60	2.1

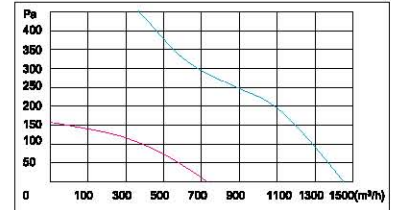
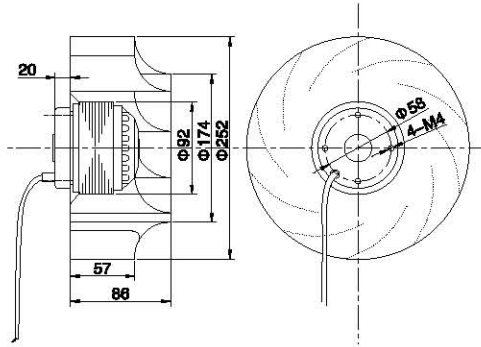
MaEr Micro-motor

www.maerwdj.com

Professional · Honest · Human Oriented

外转子离心风机 CENTRIFUGAL FAN

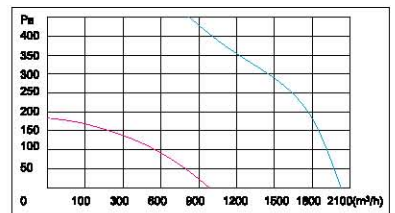
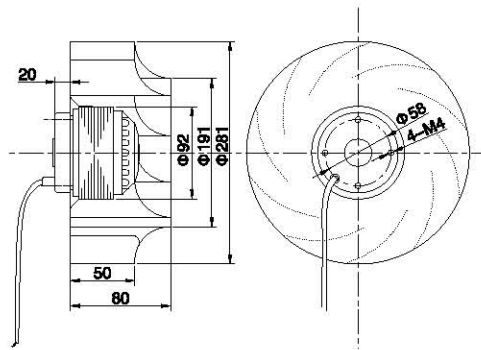
Φ 250



型号	电压	频率	风量	转速	输入功率	电流	电容器	噪声	净重
MODEL	VOLTAGE V	FREQUENCY Hz	AIR VOLUME m³/h	SPEED r/min	INPUT W	CURRENT A	CAPACITANCE μF/450V	NOISE dB(A)	NET Kg
YDWF65L35P2-250 x 86	220	50	1450	2680	180	0.8	6	75	2.2
YSWF65L35P2-250 x 86	380	50	1450	2600	160	0.37	/	75	2.2
YDWF68L25P4-250 x 86	220	50	750	1400	50	0.24	2	61	1.9
YSWF68L25P4-250 x 86	380	50	750	1400	50	0.2	/	61	1.9

外转子离心风机 CENTRIFUGAL FAN

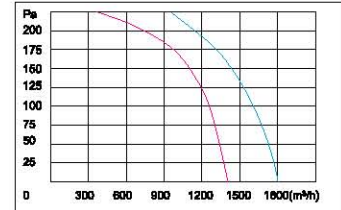
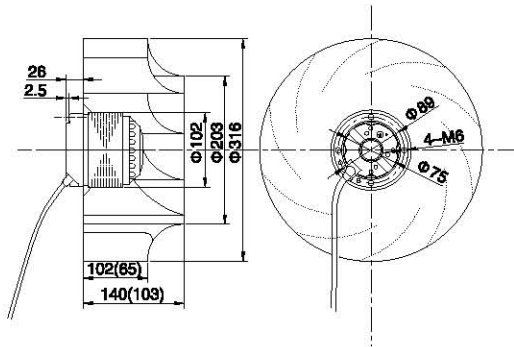
Φ 280



型号	电压	频率	风量	转速	输入功率	电流	电容器	噪声	净重
MODEL	VOLTAGE V	FREQUENCY Hz	AIR VOLUME m³/h	SPEED r/min	INPUT W	CURRENT A	CAPACITANCE μF/450V	NOISE dB(A)	NET Kg
YDWF65L42P2-280 x 80	220	50	2000	2530	250	1.1	8	75	3.4
YSWF65L42P2-280 x 80	380	50	1980	2500	220	0.4	/	75	3.4
YDWF68L35P4-280 x 80	220	50	1000	1400	85	0.4	3	64	3.1
YSWF68L35P4-280 x 80	380	50	1000	1400	85	0.3	/	64	3.1

外转子离心风机 CENTRIFUGAL FAN

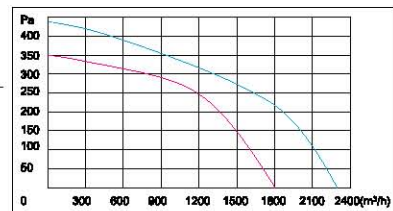
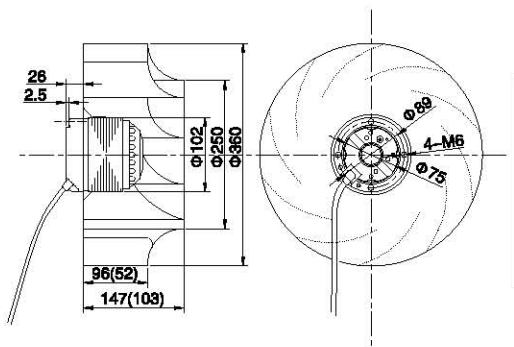
Φ 315



型号	电压	频率	风量	转速	输入功率	电流	电容器	噪声	净重
MODEL	VOLTAGE V	FREQUENCY Hz	AIR VOLUME m³/h	SPEED r/min	INPUT W	CURRENT A	CAPACITANCE μ F/450V	NOISE dB(A)	NET Kg
YDWF74S4-315 x 103	220	50	1800	1450	98	0.5	4	66	3.3
YSWF74S4-315 x 103	380	50	1800	1450	95	0.3	/	66	3.4
YDWF74S4-315 x 140	220	50	1380	1420	115	0.5	4	68	3.3
YSWF74S4-315 x 140	380	50	1380	1425	110	0.3	/	68	3.4

外转子离心风机 CENTRIFUGAL FAN

Φ 355



型号	电压	频率	风量	转速	输入功率	电流	电容器	噪声	净重
MODEL	VOLTAGE V	FREQUENCY Hz	AIR VOLUME m³/h	SPEED r/min	INPUT W	CURRENT A	CAPACITANCE μ F/450V	NOISE dB(A)	NET Kg
YDWF74M4-355 x 103	220	50	1800	1380	190	0.9	6	69	4.1
YSWF74M4-355 x 103	380	50	1800	1380	190	0.45	/	69	4.1
YDWF74L4-355 x 147	220	50	2380	1380	240	1.1	8	71	4.7
YSWF74L4-355 x 147	380	50	2380	1380	240	0.55	/	71	4.7

MaEr Micro-motor

www.maerwdj.com

Professional · Honest · Human Oriented

外转子离心风机用电机安装尺寸 CENTRIFUGAL FAN MOTOR



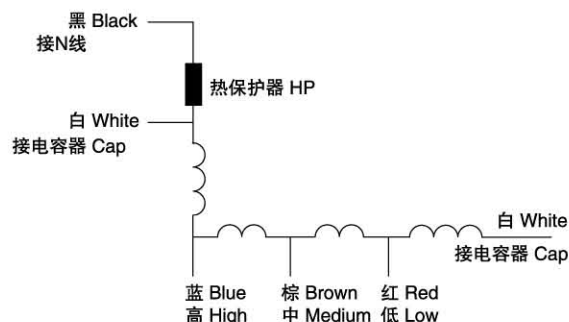
电机型号 MODEL	安装尺寸 INSTALLATION DIMENSION				外型尺寸 SHAPE SIZE					
	固定尺寸 FIXED DIMENSION		叶轮安装 IMPELLER INSTALLATION		轴向 SHAFT DIRECTION			径向直径 RADIAL DIAMETER		
	φi	4-Mk	φg	j-M5	b	d	e	a	f	h
Y□WF68L15P□	φ58	4-M5 x 5max	φ110	5-M5	26	15	26	φ30	φ92	φ130
Y□WF68L25P□						25				
Y□WF68L35P□						35				
Y□WF68L40P□						40				
Y□WF74S□	φ89	4-M6 x 20max	φ120	5-M5	36	35	36	φ75	φ102	φ140
Y□WF74M□						47				
Y□WF74L□						60				
Y□WF102L35P□	φ124	4-M8 x 22max	φ154	6-M5	42	35	42	φ102	φ140	φ170
Y□WF102L40P□						40				
Y□WF102L50P□						50				
Y□WF102L60P□						60				
Y□WF102L70P□						70				
Y□WF127L50P□	φ140	8-M10 x 15max	φ190	6-M6	55	50	56	φ119	φ172	φ208
Y□WF127L65P□						65				
Y□WF127L80P□						80				

注：不加法兰时，电机外径尺寸公差为 ±0.05。
Note: If no flanges, the tolerance dimension of motor is ±0.05.

外转子离心风机用单相电机 – 性能参数 SINGLE PHASE MOTOR FOR CENTRIFUGAL FAN PROPERTY PARAMETER

型号	最大输入功率	转速	最大输出功率	电流	电容器	净重
MODEL	INPUT(MAX) W	SPEED r/min	OUTPUT(MAX) W	CURRENT A	CAPACITANCE μ F	NET Kg
YDWF65L15P2	92	2500	45	0.42	1.5	1.27
YDWF68L15P4	40	1380	20	0.2	1.5	1.27
YDWF65L25P2	120	2600	60	0.35	4	1.75
YDWF68L25P4	55	1400	25	0.24	2	1.59
YDWF65L35P2	165	2610	95	0.72	6	1.8
YDWF65L42P2	250	2500	150	1.1	8	2.3
YDWF68L4	80	1380	37.5	0.42	3	2.29
YDWF68L6	60	910	25	0.25	3	2.00
YDWF74S4	150	1400	90	0.75	4	2.79
YDWF74S6	90	920	50	0.42	4	2.79
YDWF74M4	190	1380	120	0.88	6	3.35
YDWF74M6	120	920	70	0.55	5	3.35
YDWF74L4	260	1360	180	1.08	8	4.05
YDWF74L6	160	920	90	0.8	6	4.05
YDWF102L35P4	370	1400	250	1.5	10	5.42
YDWF102L35P6	180	920	120	0.85	8	5.42
YDWF102L40P4	460	1350	370	2.15	12	5.9
YDWF102L40P6	240	910	180	1.2	10	5.9
YDWF102L50P4	634	1380	450	2.93	16	6.83
YDWF102L50P6	328	918	220	1.53	12	6.83
YDWF102L60P4	714	1377	520	3.3	20	7.78
YDWF102L65P6	415	920	285	1.93	12	7.78
YDWF102L70P6	540	928	370	2.55	16	8.71
YDWF102L70P8	327	680	210	1.5	12	8.71
YSWF127L50P6	850	920	650	1.95	/	11
YSWF127L65P6	1050	920	850	2.4	/	13.5
YSWF127L80P6	1400	940	1100	3.08	/	15
YSWF127L80P12	450	440	260	1.45	/	15

1. 用户根据需要，可在上述转速的50% ~ 100%范围内，选择离心风机的额定转速。
 2. 用户根据需要，可在额定转速的50% ~ 100%范围内，选择三档或两档抽头调速，调速电机的接线图如图：
 3. 三相离心风机电机的功率、转速可按第 1 条选择调整，但不能抽头调速。
1. You can choose the rated speed of centrifugal fan in the range of 50% ~ 100% mentioned above.
 2. You can choose three or two running speed of centrifugal fan in the range of 50% ~ 100% mentioned above, connection is like the wire diagram.
 3. For three-phase centrifugal fan, the power and speed can be adjusted in accordance with the choice of paragraph 1, but the fan cannot be made as tap speed change.



E-mail: maerwdj@yahoo.com.cn
maerfanmotor@gmail.com



MAER MICRO-MOTOR

40

AXIAL FAN MOTOR

AIR COOLER FAN

CENTRIFUGAL FAN

EC AXIAL FAN





www.maerwdj.com

afmc

Australian Fan & Motor Co Pty Ltd

27 Wedgewood Road

Hallam Victoria 3803

Tel + 61 3 8795 7666 Fax + 61 8795 7833

afmc@afmc.com.au www.austfan.com.au